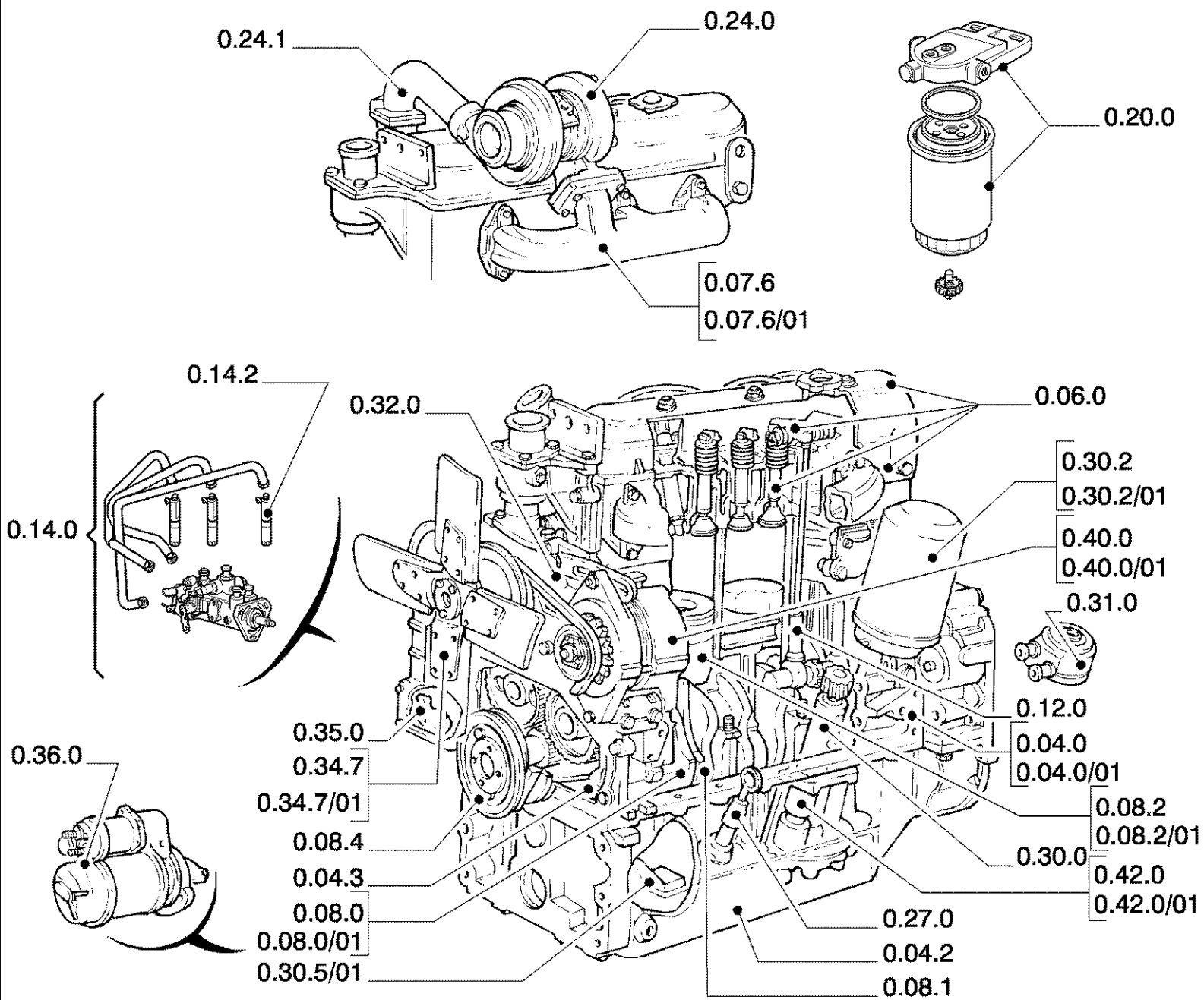
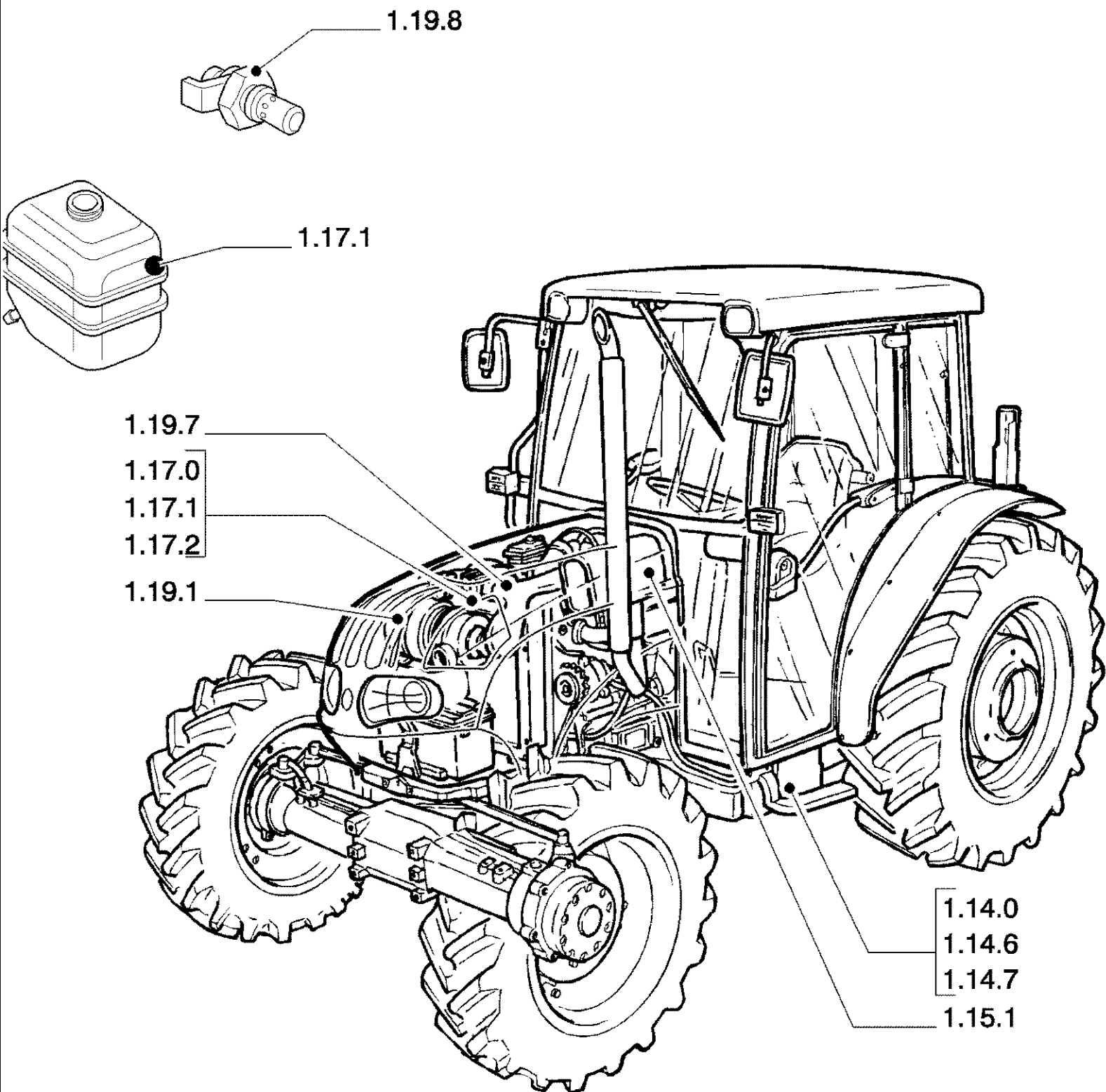


MAIN HOOFDSECTIES

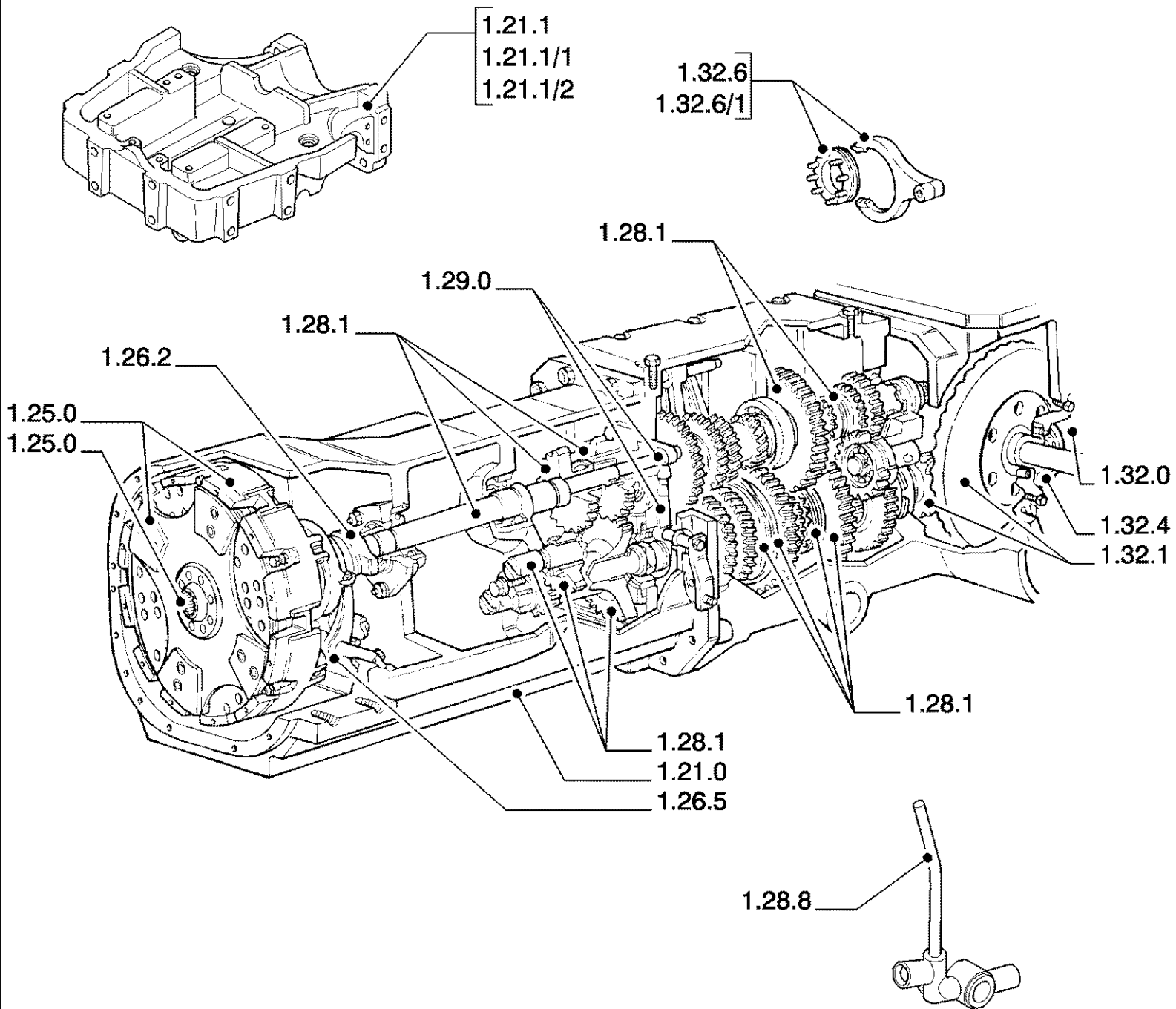
Ref	Onderdeelnummer	Kwt	Beschrijving



Ref	Onderdeelnummer	Kwt	Beschrijving

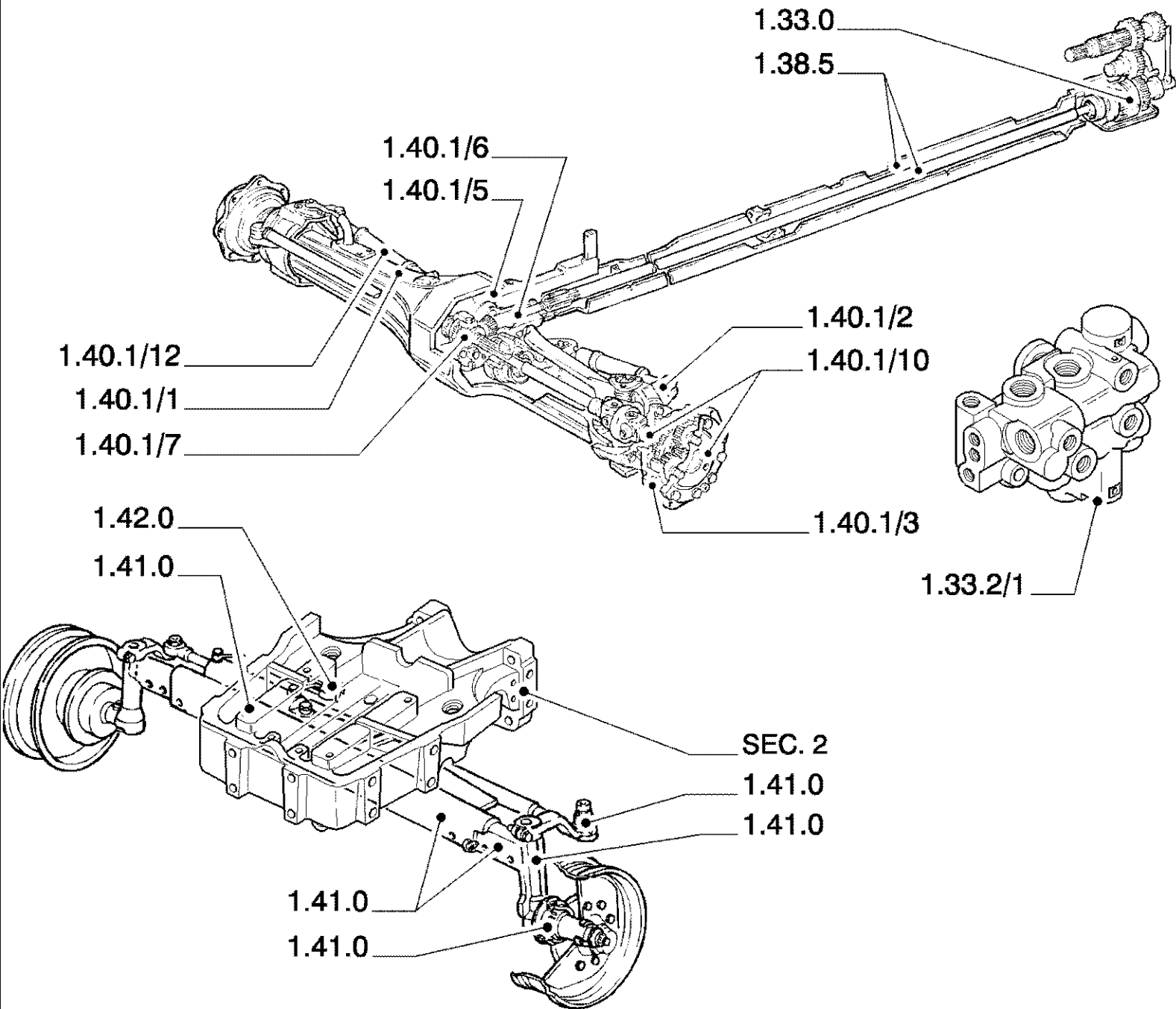


Ref	Onderdeelnummer	Kwt	Beschrijving

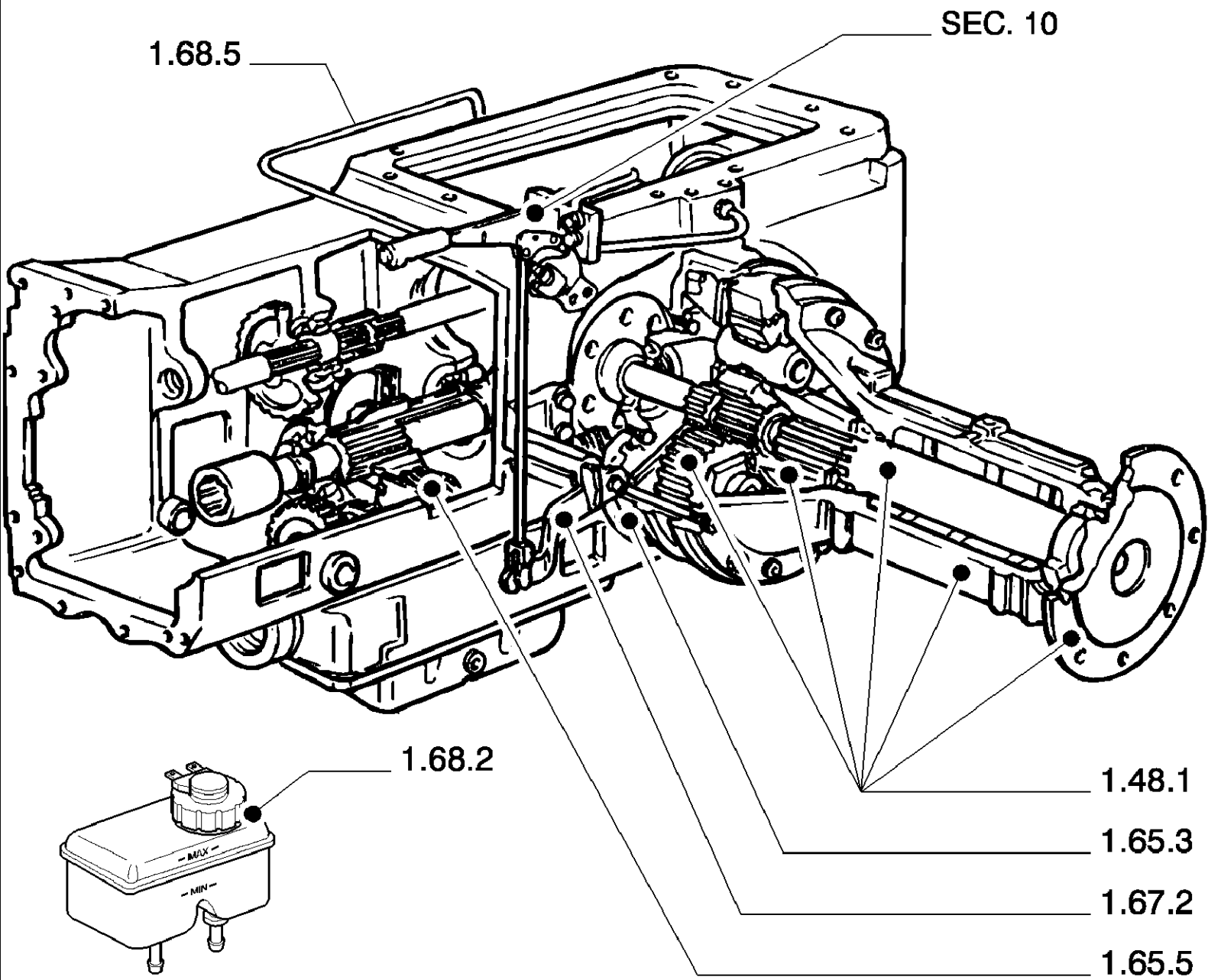


SEC. 03 TRANSMISSIE

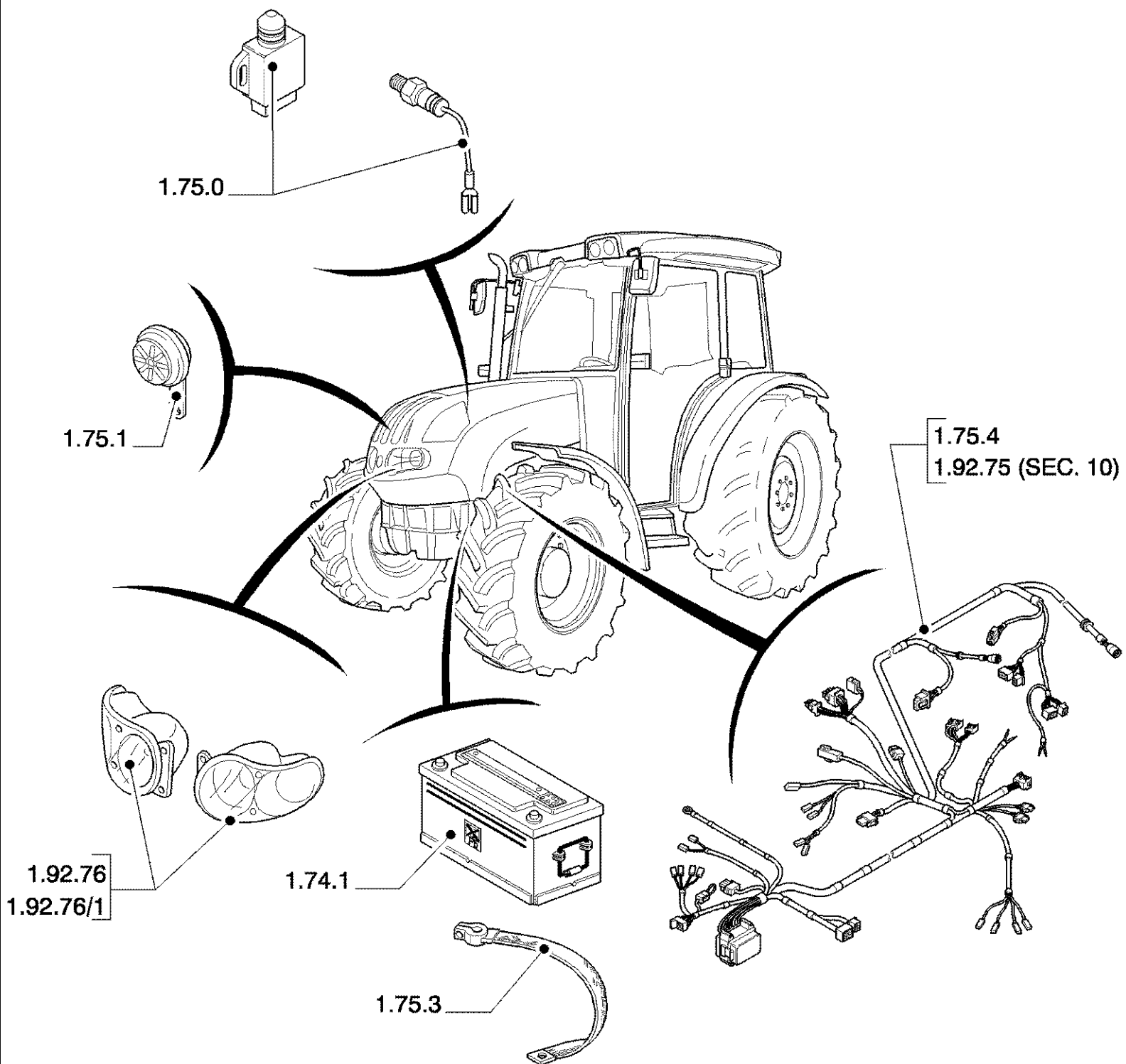
Ref	Onderdeelnummer	Kwt	Beschrijving



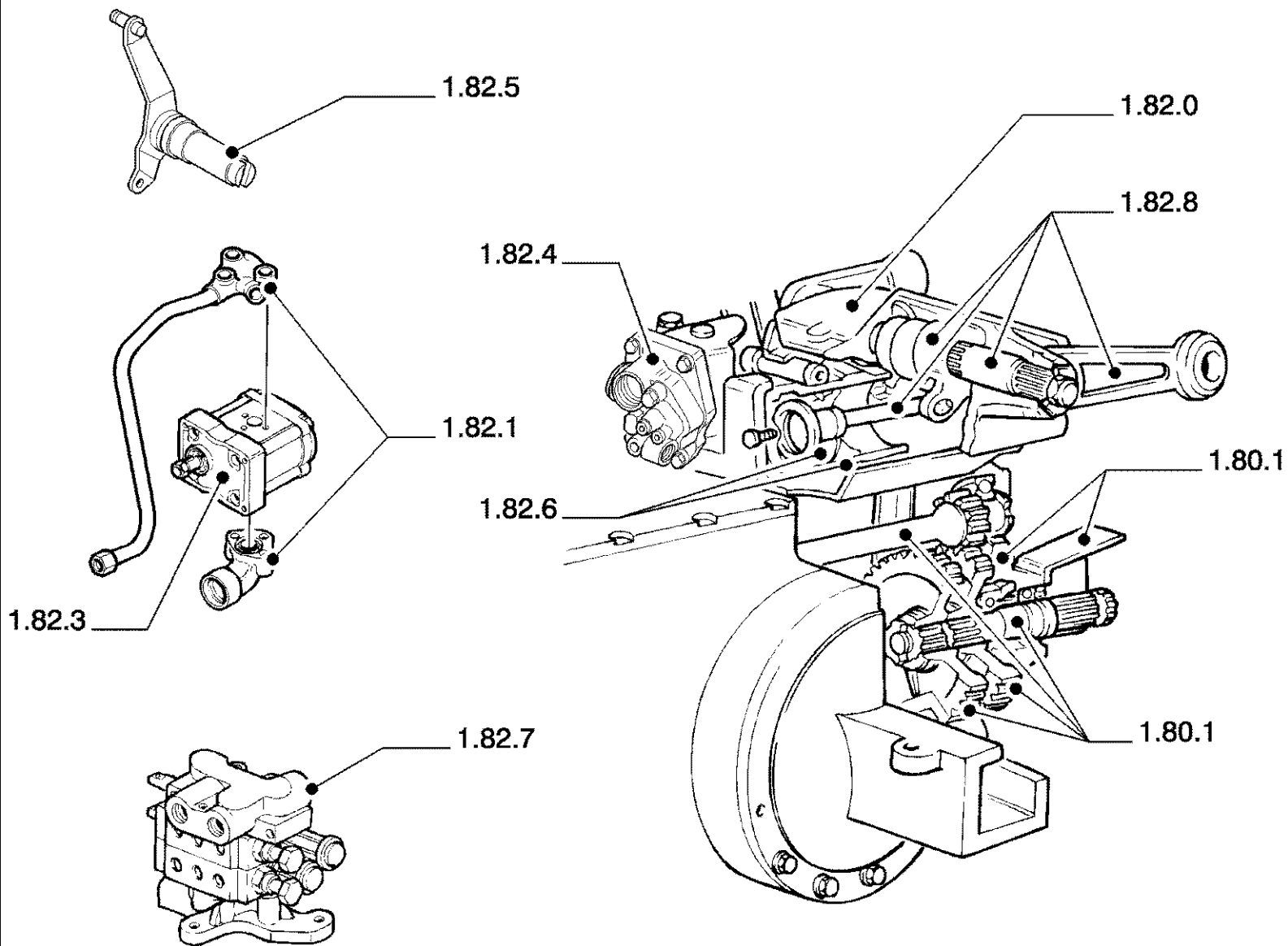
Ref	Onderdeelnummer	Kwt	Beschrijving



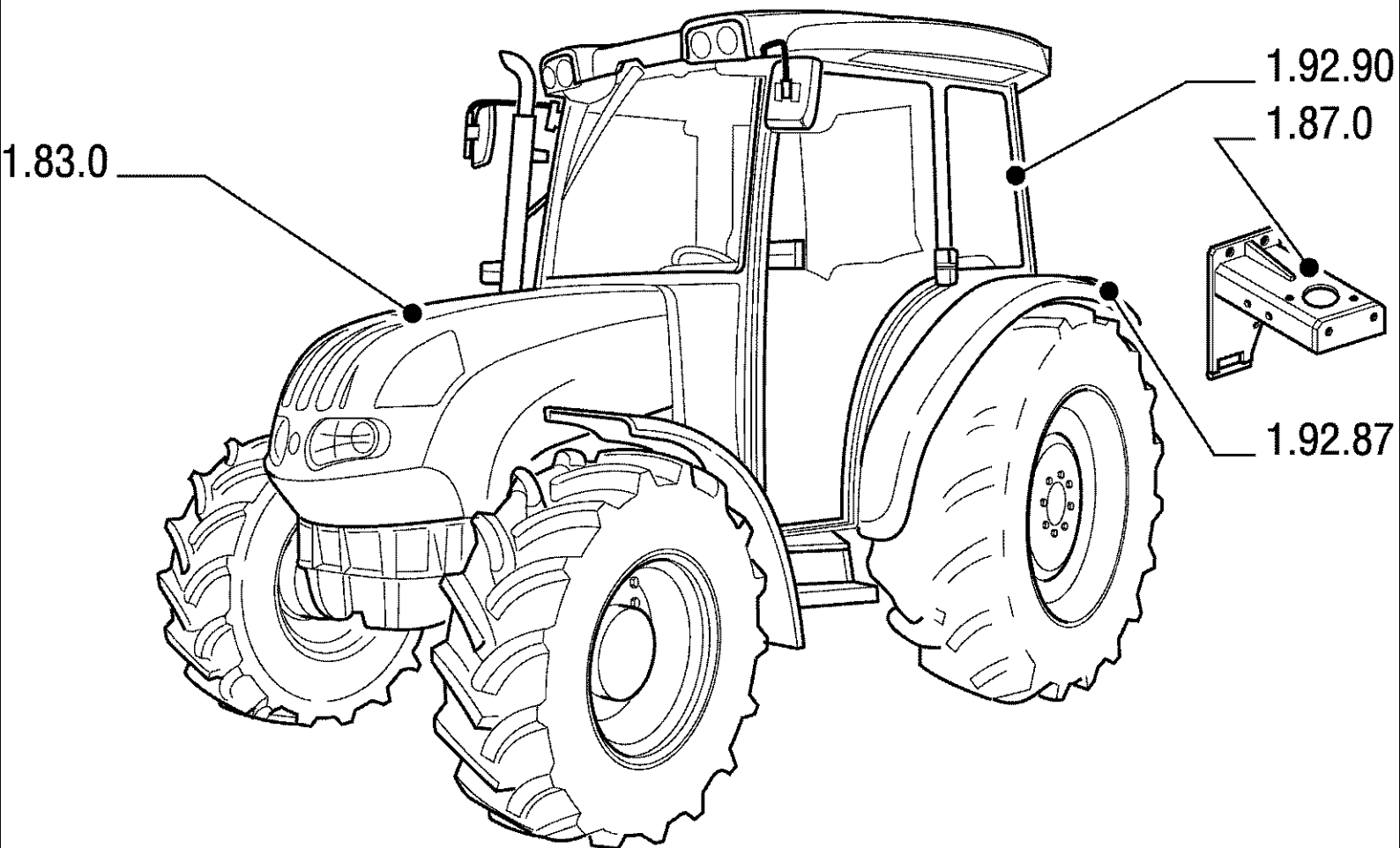
Ref	Onderdeelnummer	Kwt	Beschrijving



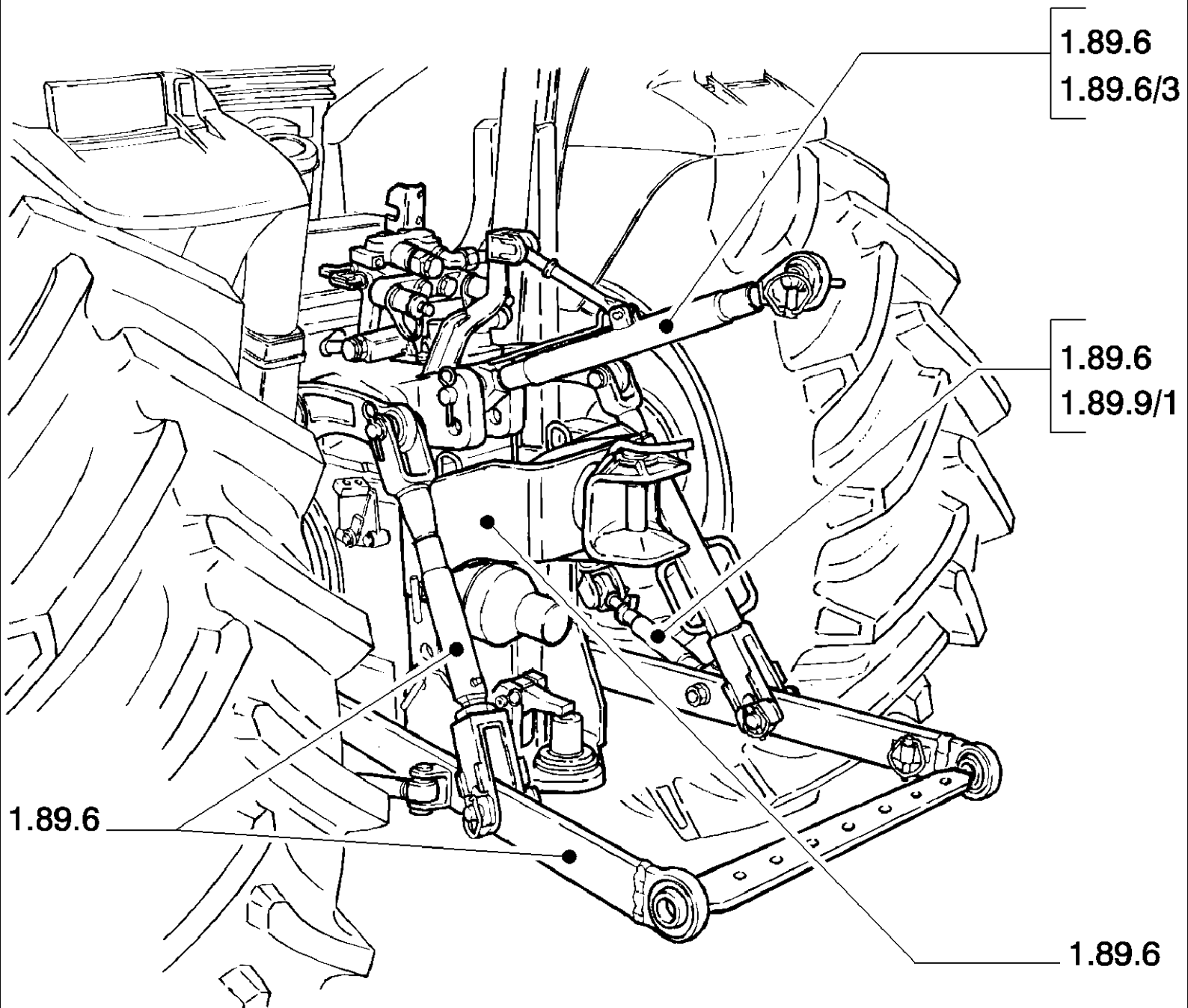
Ref	Onderdeelnummer	Kwt	Beschrijving



Ref	Onderdeelnummer	Kwt	Beschrijving



Ref	Onderdeelnummer	Kwt	Beschrijving



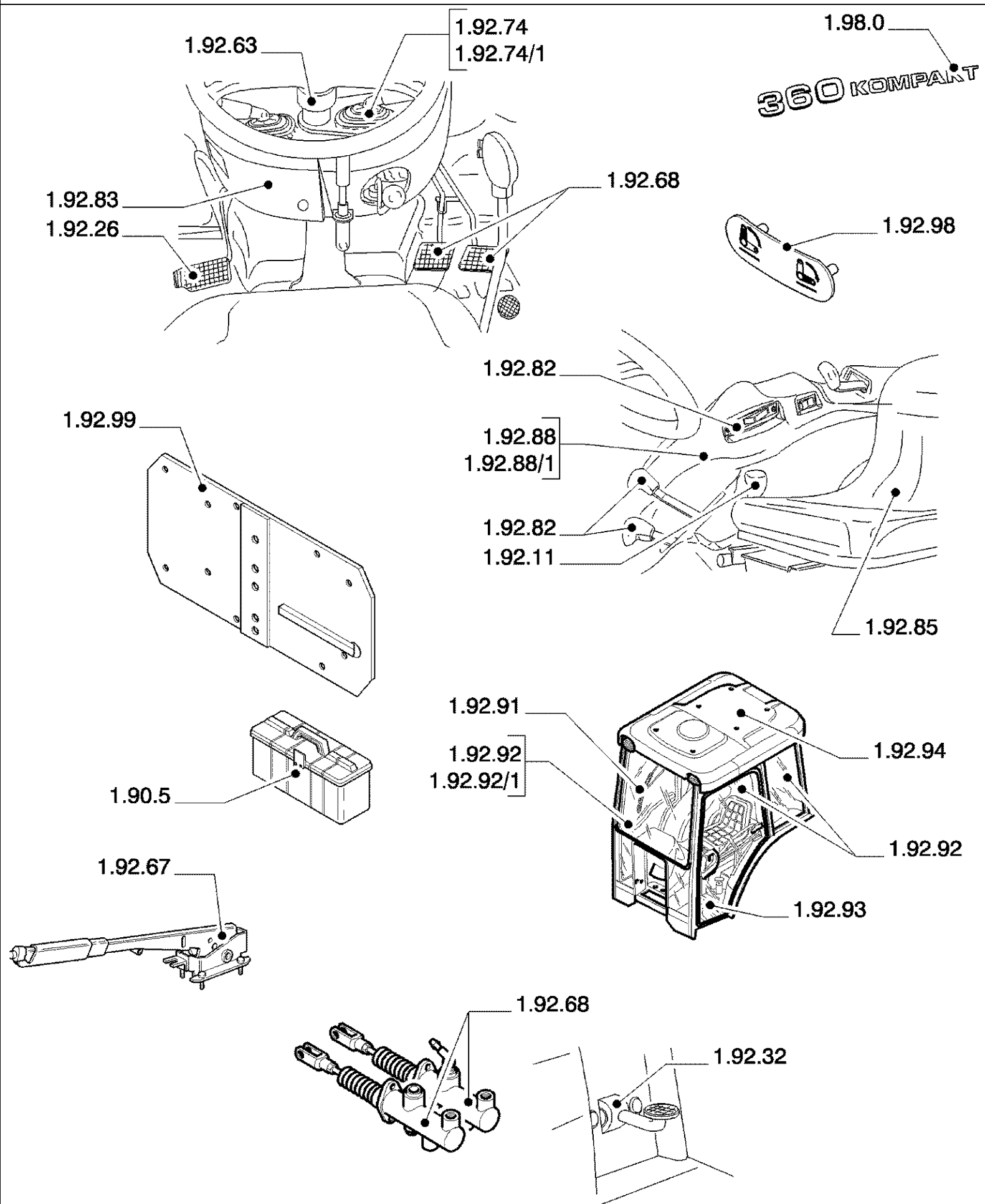
1.89.6
1.89.6/3

1.89.6
1.89.9/1

1.89.6

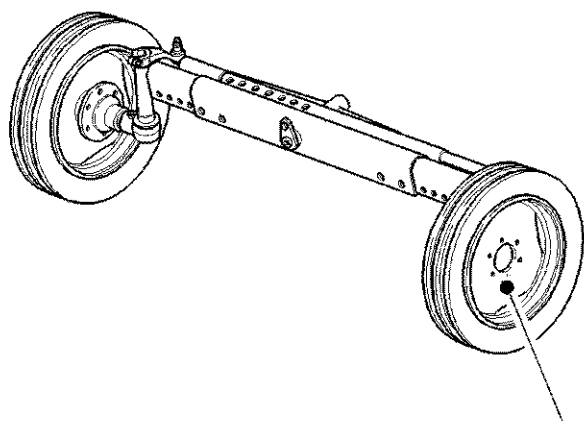
1.89.6

Ref	Onderdeelnummer	Kwt	Beschrijving

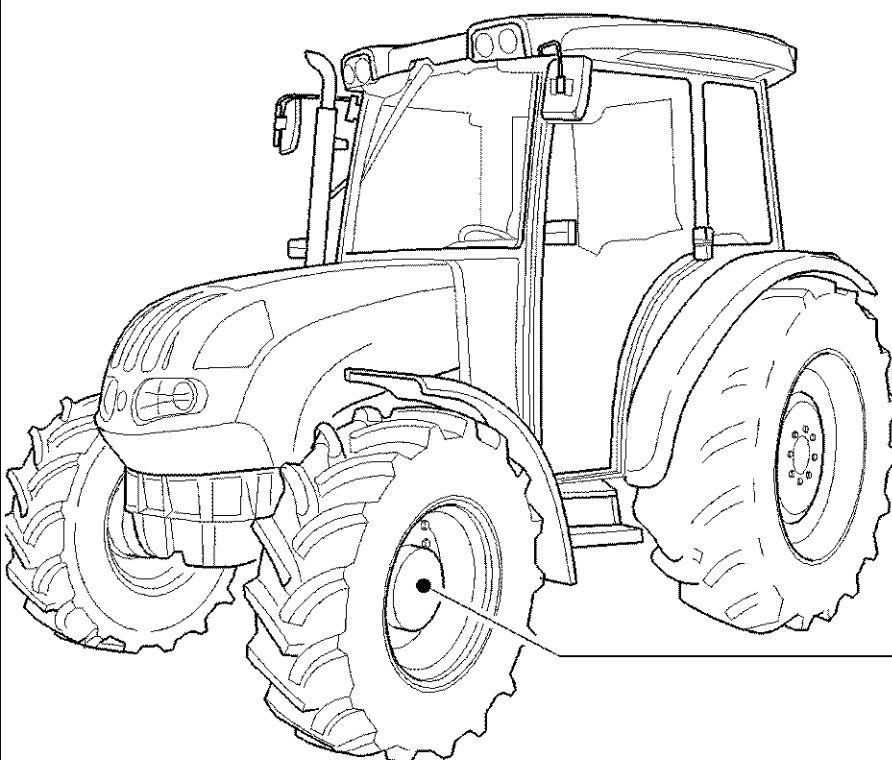


SEC. 10 STUURPLAATS

Ref	Onderdeelnummer	Kwt	Beschrijving



GROUP	EQUIP	TIRE SIZE	RIM
81.00	81.09	6.00 - 16 8PR F2	4.50EX16
	81.10	6.50-16 8PR F2	4.50EX16
	81.11	7.50 - 16 8PR F2	5.50FX16
	81.42	25/1050LL X 15	W8X15



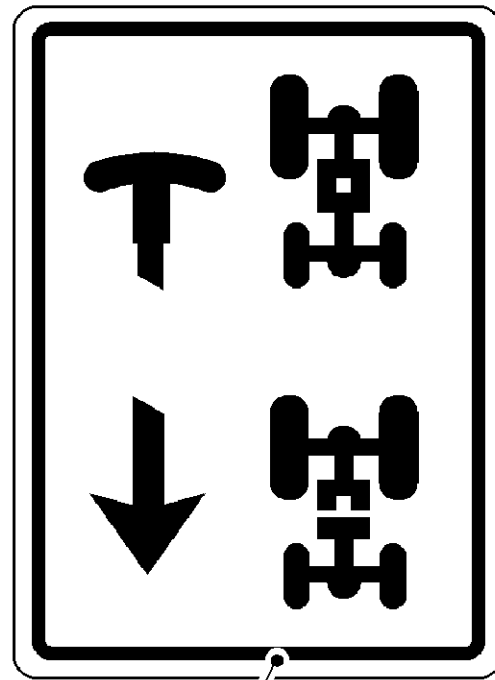
GROUP	EQUIP	TIRE SIZE	RIM
82.00	82.03	12.4 R20 A8	W11X20
	82.23	11.2 R20 A8	W9X20
	82.30	8.3/24 8PR	W8X24
	82.32	11.2 R24 A8	W10X24
	88.17	335/80 R18 A8	9X18
	88.19	340/75 R20 A8	W11X20
	88.20	14.9L R20 A8	W11X20
	88.21	380/70 R20 A8	W11X20
	88.23	375/75 R20XA8	W11X20
	88.24	405/70 R20 A8	W11X20
	88.26	300/70 R20 A8	W9X20
	88.27	320/70 R20 A8	W9X20
	88.29	360/70 R20 A8	W11X20
	88.31	300/70 R24 A8	W10X24

Ref	Onderdeelnummer	Kwt	Beschrijving



GROUP	EQUIP	TIRE SIZE	RIM
83.00	83.50	13.6 R28 A8	W12X28
	83.51	14.9 R28 A8	W13X28
	83.52	16.9 R28 A8	W15LX28
	83.54	14.9 R30 A8	DWW13X30
	83.55	16.9 R30 A8	DWW14LX30
	83.60	12.4 R32 A8	W11X32
	83.69	12.4 R36 A8	W11X36
	89.13	480/70 R28 A8	W15LX28
	89.15	480/65 R28 A8	W15LX28
	89.30	16.9 R30 A8	DWW15X30
	89.50	380/70 R28 A8	W12X28
	89.51	420/70 R28 A8	W13X28
	89.54	480/70 R30 A8	DWW15X30
	89.55	420/70 R30 A8	DWW13X30
	89.57	540/65 R30 A8	DWW15X30
	89.68	540/65 R28 A8	W15LX28

Ref	Onderdeelnummer	Kwt	Beschrijving



1.98.0

360 KOMPAKT

1.98.2

Ref	Onderdeelnummer	Kwt	Beschrijving

VARIANT CODE	DESCRIPTION	APPLICATION		
		360 KOMPAKT	370 KOMPAKT	375 KOMPAKT
012	Danish/norwegian version (See sgr. 1.92.76/01)	●	●	●
020	PTO 540/540E RPM w/ground speed for ADIC (See sgr. 1.80.1/06)	●	●	●
025	One remote valve for mid-mount & MDC (1 std) (See sec. 7-10)	●	●	●
026	One remote valve for mid-mount & EDC (1 std) (See sec. 7-10)	●	●	●
027	Two remote valves for mid-mount & MDC (1 std + 1 w/float) (See sec. 7-10)	●	●	●
028	Two remote valves for mid-mount & EDC (1 std + 1 w/float) (See sec. 7-10)	●	●	●
065	ISO - 16X16 with synchro gear and power shuttle (See sec. 6-10)	●	●	●
066	ISO - 16X16 with synchro gear and power shuttle with A/C CAB (See sec. 6-10)	●	●	●
089	Rear wiper & washer (See sec.10)	●	●	●
108	Two remote valves for MDC (1 std + 1 w/float) (See sec. 7-10)	●	●	●
111	Creeper transmission for splitter 44X16 (30 Km/h) (See sec. 3-13)	●	●	●
111/1	Creeper transmission 28X16 (30 Km/h) (See sec. 3-4-13)	●	●	●
117	Creeper transmission for HI-LO 44X16 (30 Km/h) (See sec. 3-4-13)	●	●	●
118	Splitter 32X16 (30 Km/h) (See sec. 3-4-13)	●	●	●
124	Two mid-mount control valves w/joystick (See sec. 7-10)	●	●	●
125	Two mid-mount control valves w/joystick for trailer brake valve (See sec. 7-10)	●	●	●
126	EDC with one rear remote (s/d w/kick out) (See sec. 3-4-7-9-10)	●	●	●
127	EDC with one rear remote (s/d w/kick out) for power shuttle & HI-LO (See sec. 3-4-7-10)	●	●	●
131	Fuel tank protection (See sgr. 1.14.0/01)	●	●	●
132	Lift oil-filter cover (See sgr. 1.82.1/01)	●	●	●
132/1	Fuel tank (fire test - japan) (See sgr. 1.14.0/02)	●	●	●
136	Two remote valves for EDC (1 std + 1 w/float) (See sec. 7-10)	●	●	●
157	Two mid-mount control valves w/joystick for front electronic HPL (See sec. 7-10)	●	●	●
159	Two mid-mount control valves w/joystick for front electr. HPL & tr. brake valve (See sec. 7-10)	●	●	●
164	Three remote valves for EDC (2 std + 1 w/float) (See sec. 7-10)	●	●	●
165	Four remote valves for MDC (2 std + 2 w/float) (See sec. 7-10)	●	●	●
166	Four remote valves for EDC (2 std + 2 w/float) (See sec. 7-10)	●	●	●
167	4WD wide front fenders l/brakes (See sgr. 1.43.0)	●	●	●
167/1	4WD wide front fenders w/brakes (See sgr. 1.43.0)	●	●	●
168	4WD narrow front fenders l/brakes (See sgr. 1.43.0/01)	●	●	●
168/1	4WD narrow front fenders w/brakes (See sgr. 1.43.0/01)	●	●	●
168/2	Support and front weights with 4 plates & built-in pull hook (See sgr. 1.44.0)	●	●	●
169	4WD front fenders for 16" tyres l/brakes (See sgr. 1.43.0/02)	●	●	●
169/1	4WD front fenders for 16" tyres w/brakes (See sgr. 1.43.0/02)	●	●	●
174	Viscous cooling fan (See sgr. 0.34.7/02)	●	●	●
195	Three remote valves for MDC (2 std + 1 w/float) (See sec. 7-10)	●	●	●
199	Air filter dust ejector (See sgr. 1.15.1/01)	●	●	●
207	High clearance fuel tank (See sec. 2)	●	●	●
208	Fuel tank protection (See sgr. 1.14.0/04)	●	●	●
216	Swivel trailer hitch, ec, vertical adjust, sliding - germany (See sgr. 1.89.3/01)	●	●	●
219	Two speed PTO selection lever (See sgr. 1.80.2)	●	●	●
225	Front weight carrier w/integrated tow hook (See sgr. 1.44.0/01)	●	●	●
275	HI-LO 32X16 (30 Km/h) power shuttle with oil cooler (See sec. 3-4-6-10-13)	●	●	●
275/1	HI-LO 32X16 (30 Km/h) power shuttle with oil cooler for air conditioned cab (See sec. 3-4-6-10-13)	●	●	●
307	4WD electro-hydraulic coupling (See sec. 3-4-10)	●	●	●
323	STD front axle w/elec. hyd. diff. lock, w/front brakes (40 Km/h) (See sec. 3-4-5-13)	●	●	●
323/1	STD front axle w/elec. hyd. diff. lock, l/front brakes (40 Km/h) (See sec. 3-4-13)	●	●	●
324	STD front axle w/mech. diff. lock, w/front brakes (40 Km/h) (See sec. 3-4-5-13)	●	●	●
324/1	STD front axle w/mech. diff. lock, l/front brakes (40 Km/h) (See sec. 3-4-13)	●	●	●
325	STD front axle w/limited slip diff., l/front brakes (30 Km/h), for mech. transm. (See sec. 4)	●	●	●
326	Rear electro hydraulic differential lock (See sec. 3-4-5-10)	●	●	●
326/1	STD front axle w/elec. hyd. diff. lock, w/front brakes (30 Km/h) (See sec. 3-4-5-10)	●	●	●
326/2	STD front axle w/elec. hyd. diff. lock, l/front brakes (30 Km/h) (See sec. 3-4-5-10)	●	●	●
359	Three speed PTO selection lever (See sgr. 1.80.2)	●	●	●
370	Trailer brake valve (France) (See sgr. 1.82.713)	●	●	●
372	Trailer brake valve (Italy) (See sgr. 1.82.714)	●	●	●
373	Trailer brake valve (France) for front HPL w/electronic control (See sgr. 1.82.715)	●	●	●

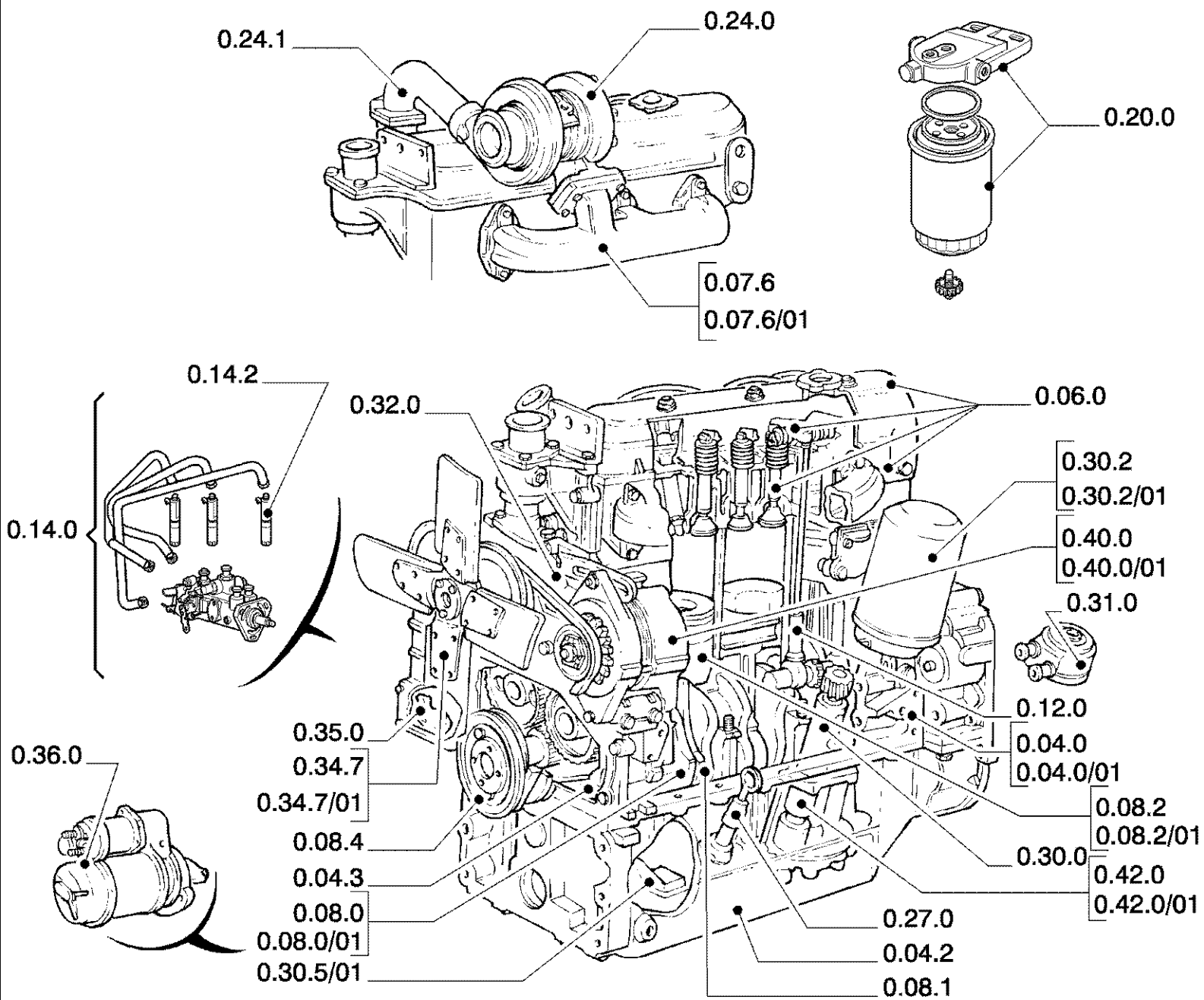
Ref	Onderdeelnummer	Kwt	Beschrijving

VARIANT CODE	DESCRIPTION	APPLICATION		
		360 KOMPAKT	370 KOMPAKT	375 KOMPAKT
373/1	Trailer brake valve (Italy) for front HPL w/electronic control (See sgr. 1.82.716)			
404	Front PTO lift for EDC, HI-LO & multi-controller (chassis mounted) (See sec. 2-3-4-5-6-10-13)			
405	Front PTO lift for EDC & HI-LO (axle mounted) (See sec. 2-3-4-5-6-10-13)			
445	Rice version for power shuttle & HI-LO transmission (See sec. 3-4-5-6)			
449	Rice version for mech. transmission (See sec. 4-5)			
465	Rear ballast (300kg.) (See sgr. 1.48.2)			
470	Rear ballast (200kg.) (See sgr. 1.48.2)			
489	Front loader brackets(See sgr.1.21.1/04)			
492	Rear fender extensions for high fenders (See sgr. 1.92.87/01)			
492/1	Rear fender extensions high position (See sgr. 1.92.87/02)			
504	Air filter dust ejector w/exhaust guard shield for "A" pillar (See sec. 2-10)			
543	Two deluxe push-pull & oil collection system for one remote (See sgr. 1.82.7/13)			
544	Four deluxe push-pull & oil collection system for two remotes (See sgr. 1.82.7/14)			
545	Six deluxe push-pull & oil collection system for three remotes (See sgr. 1.82.7/15)			
546	Eight deluxe push-pull & oil collection system for four remotes (See sgr. 1.82.7/16)			
577	Air conditioning filters (See sec. 2-10)			
582	2WD low profile front axle (See sgr. 1.41.0/01)			
591	Four deluxe push-pull (See sgr. 1.82.7)			
592	Two deluxe push-pull (See sgr. 1.82.7)			
608	Cab unit conditioner (See sec. 2-10)			
640	Hinged windshield (See sec. 10)			
645	Cab carbon filters (See sgr. 1.94.2)			
659	EC rear light extension (See sec. 6-10)			
685	Seat for cab w/retractable belt (See sgr. 1.92.85/04)			
692	STD front axle w/limited slip diff., l/front brakes (30 Km/h), for hydr. transm. (See sec. 4)			
722	Control valve joystick (See sec. 10)			
730	Two deluxe push-pull for one remote (See sgr. 1.82.7/17)			
730/1	Four deluxe push-pull for two remotes (See sgr. 1.82.7/17)			
730/2	Six deluxe push-pull for three remotes (See sgr. 1.82.7/17)			
735	Eight deluxe push-pull for four remotes (See sgr. 1.82.7/17)			
738	Additional power points (See sgr. 1.75.4/02)			
754	Four rear work lights (See sgr. 1.92.76)			
772	Four front work lights (See sgr. 1.92.76)			
777	Equipment for radio (See sgr. 1.92.761)			
804	Synchro mesh geared power take-off 540-540E RPM (See sgr. 1.80.1/01)			
807	Synchro mesh geared power take-off 540 RPM (See sgr. 1.80.1/02)			
817	Synchro mesh geared power take-off 540-540E-1000 RPM (See sgr. 1.80.1/03)			
818	Power take-off 540-540E RPM (See sgr. 1.80.1/04)			
823	Hydraulic pump 16.9 RPM (64l) l/oil cooler for power shuttle (See sgr. 1.82.3/01)			
826	Hydraulic pump 16.9 RPM (64l) w/oil cooler (See sec. 3-4-7)			
830	Synchro mesh geared power take-off 430-540-540E RPM (See sec. 3-7)			
834	HPL ground control for MDC (See sgr. 1.82.2)			
837	Flip-up PTO guard (See sgr. 1.80.1)			
838	Front PTO lift for MDC (chassis mounted) (See sec. 2-3-4-6-7-8-10-13)			
839	Front PTO lift for EDC (chassis mounted) (See sec. 2-3-4-6-7-8-10-13)			
843	Front PTO lift for EDC & multi-controller (axle mounted) (See sec. 2-3-4-5-6-10-13)			
850	Seat for cab w/air suspension, w/retractable belt & w/safety switc (See sgr. 1.92.85/03)			
860	2WD front fenders (See sgr. 1.43.0/03)			
864	Chock (See sgr. 1.92.991)			
865	Passenger seat (See sec. 10)			
879	Telescopic rear view mirrors (See sgr. 1.92.93/01)			
887	Swivel hook (33mm hole) vertical adjust sliding (PITON) l/draw bar (See sgr. 1.89.3/14)			
890	Support with swinging drawbar (29mm hole) (See sgr. 1.89.3/02)			
891	Fixed hook, cat."C" (29mm hole) (See sgr. 1.89.3/03)			
891/1	Support with swinging drawbar (33mm hole) CEE (See sgr. 1.89.3/04)			
893	Swivel hook, vertical adjust, w/pin (PITON) (See sgr. 1.89.3/05)			
895	Trailer brake bracket (Italy) (See sgr. 1.89.4)			
896	Support and swinging drawbar (33mm hole) w/clavis (See sgr. 1.89.3/08)			

Ref	Onderdeelnummer	Kwt	Beschrijving

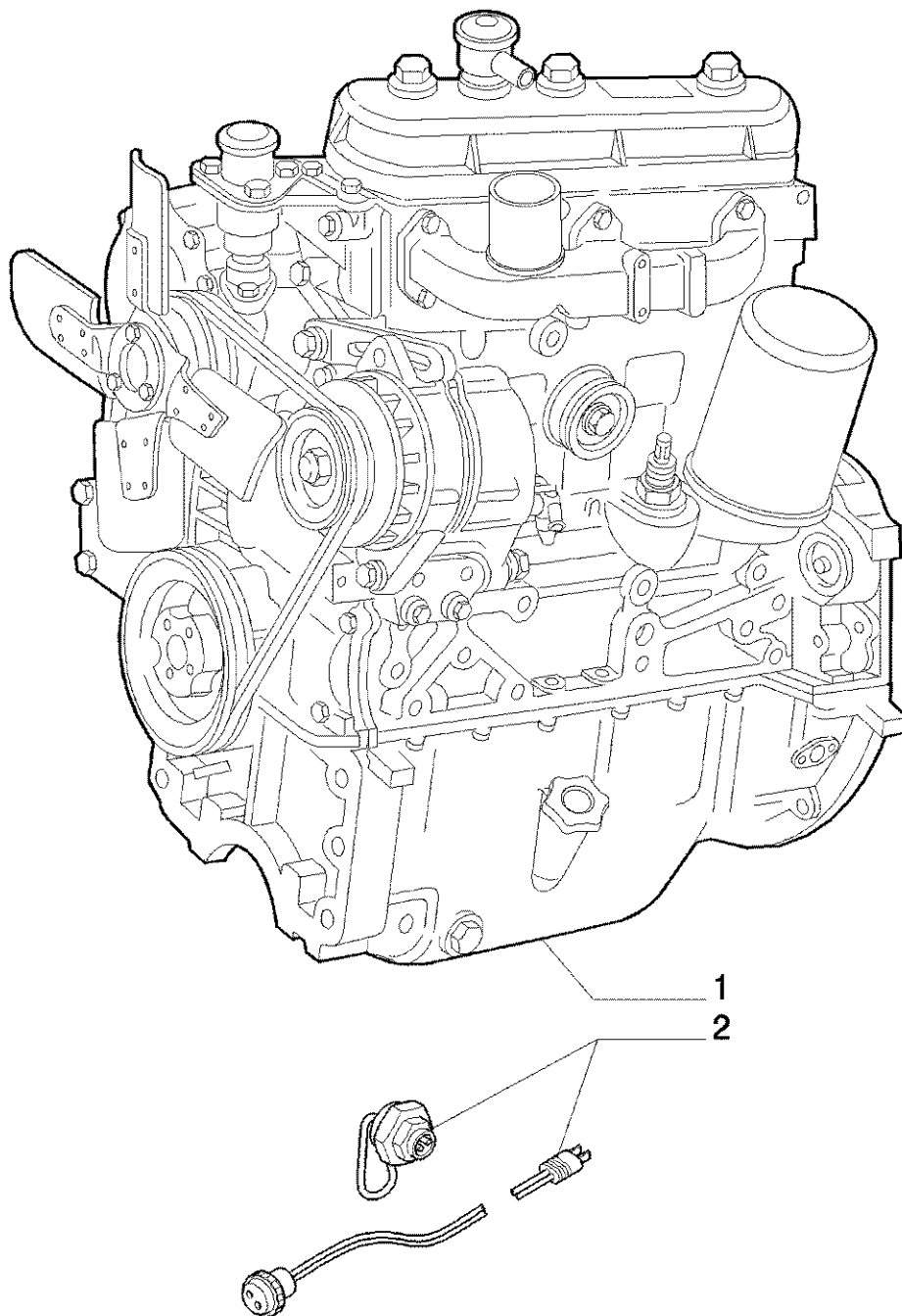
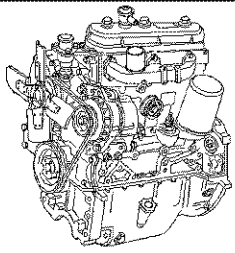
VARIANT CODE	DESCRIPTION	APPLICATION		
		360 KOMPAKT	370 KOMPAKT	375 KOMPAKT
897	Swivel trailer hitch CEE, vertical adjust, sliding (See sgr. 1.89.3/06)	●	●	●
899	Drawbar linkage (See sgr. 1.89.3/07)	●	●	●
904	Limitatory strut (See sgr. 1.89.9)	●	●	●
905	Support and swinging drawbar (33mm hole) l/clavis (See sgr. 1.89.3/08)	●	●	●
906	Support trailer hitch cat."C" & swinging drawbar (29mm hole) (See sgr. 1.89.3/09)	●	●	●
907	Support and swinging drawbar (33mm hole) for trailer hitch (See sgr. 1.89.3/10)	●	●	●
912	Support and swinging drawbar (33mm hole) for trailer hitch (PITON) (See sgr. 1.89.3/11)	●	●	●
913	Support and swinging drawbar (29mm hole) for trailer hitch (See sgr. 1.89.3/12)	●	●	●
922	Three point hitch with quick attach ends (See sgr. 1.89.6/02)	●	●	●
928	Fixed hook, cat."C", vertical adjust, sliding (See sgr. 1.89.3)	●	●	●
929	Pick up hitch and draw bar (See sec. 7-9)	●	●	●
929/1	Pick up hitch and draw bar for EDC (See sec. 7-9)	●	●	●
959	Flexible link ends (See sgr. 1.89.6/03)	●	●	●
962	Seat for cab w/safety switch (See sgr. 1.92.85/02)	●	●	●
963	Seat for cab w/retractable belt & w/safety switch (See sgr. 1.92.85/02)	●	●	●
965	Licence plate (See sgr. 1.75.4)	●	●	●
996	Set of tools (See sgr. 1.99.0)	●	●	●

Ref	Onderdeelnummer	Kwt	Beschrijving



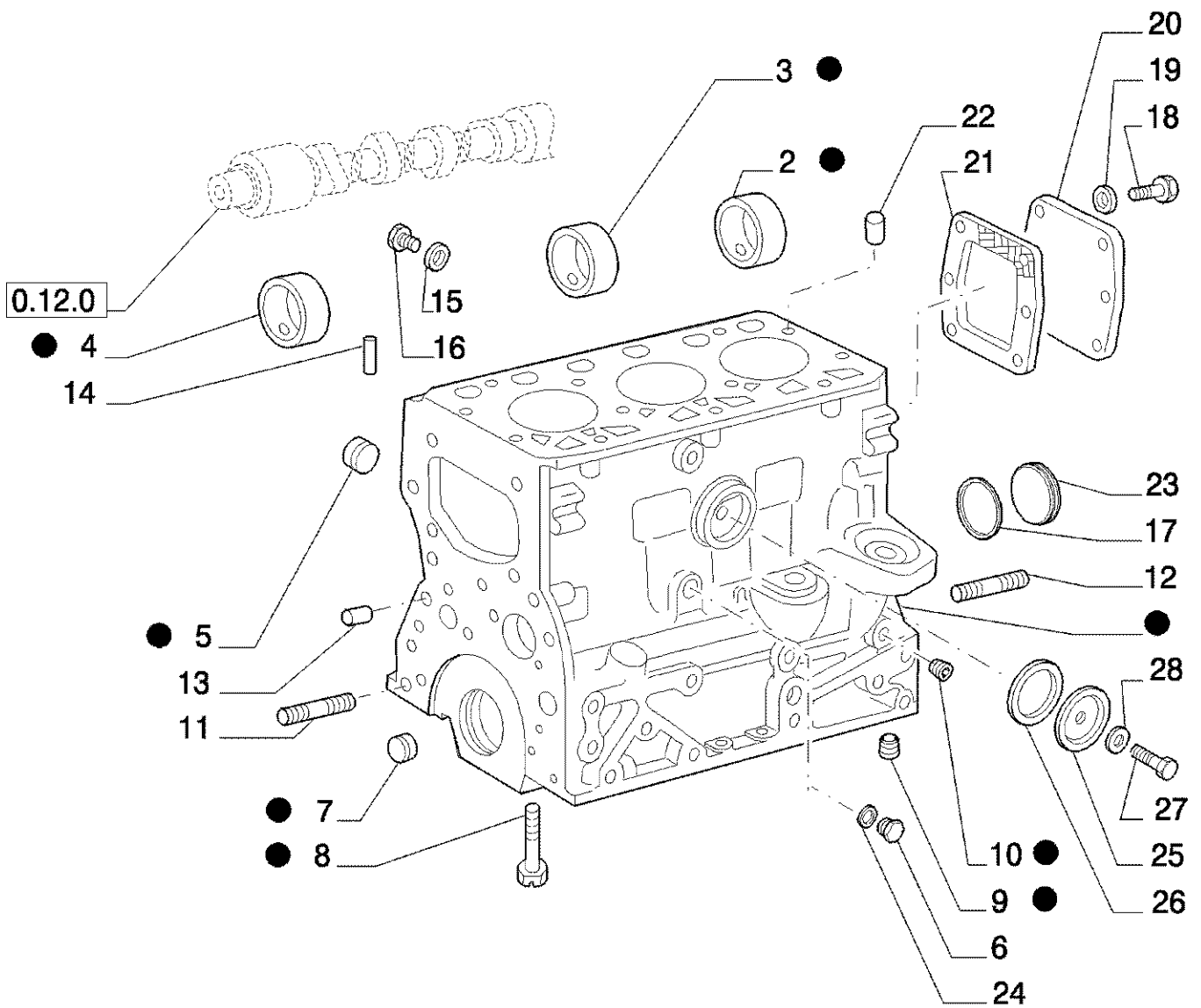
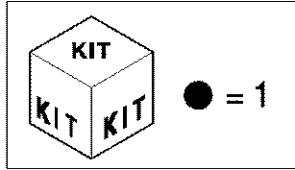
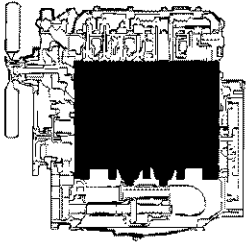
Ref	Onderdeelnummer	Kwt	Beschrijving

0.02.1 MOTOR



0.02.1 MOTOR

Ref	Onderdeelnummer	Kwt	Beschrijving
1	47125212	1	MOTOR,
2	47126890	1	HEATER-UNIT, Block Heater Engine

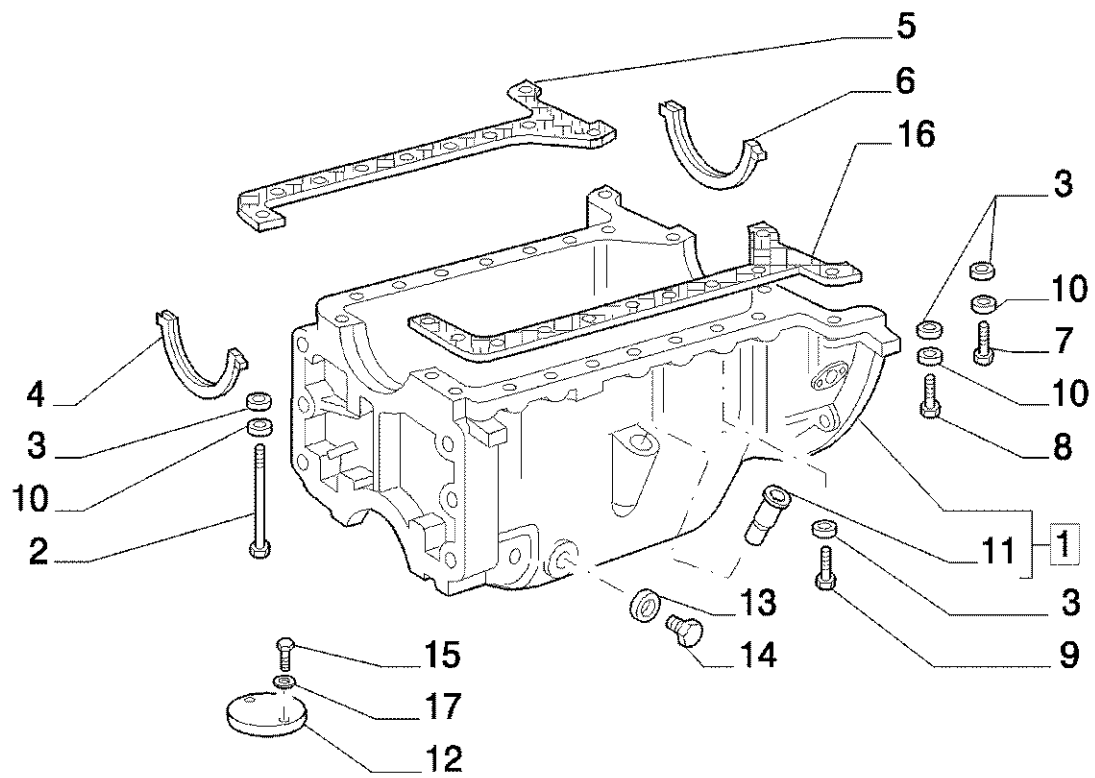
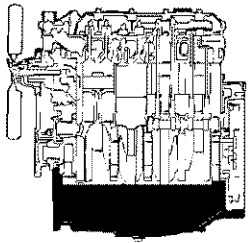


360 KOMPAKT TRACTOR (4/03-) - Motor

0.04.0 MOTORBLOK OG CYLINDERE

Ref	Onderdeelnummer	Kwt	Beschrijving
1	504067406	1	MOTORBLOK,
2	4718620	1	LAGERBUS,
3	4718619	1	LAGERBUS,
4	500377608	1	LAGERBUS,
5	14282770	3	PLUG, M36, Tapered, Stainless,
6	98415314	1	PLUG, M22 x 1.5
7	14328501	5	PLUG, M16, Tapered,
8	4792169	8	SCHROEF, M14 x 1.5 x 137
9	99434268	1	PLUG, M16 x 1.5
10	99434231	4	PLUG, M10 x 1.25
11	13517821	1	TAPEIND, M8X12X60
12	16735724	2	TAPEIND, M14 x 20 x 55
13	10839610	2	STEL PEN, D=8 x 12 mm
14	80412663	1	STEL PEN, D=5 mm
15	10265460	1	DICHTINGSSTUK, D=49 x 42 x 1.5
16	4665029	1	PLUG, M42 x 1.5
17	14459981	1	O-RING, -141, CI 7, 2.3" ID x .103" Thk,
18	16043324	6	BOUT, Hex, M8 x 18, 8.8, Full Thd,
19	11193874	6	WASHER, SPRING, Belleville, M8.4, D=8X16X1.4
20	4653282	1	DEKSEL,
21	99445564	1	DICHTINGSSTUK,
22	4846850	1	STEL PEN,
23	98412737	1	PLUG,
24	10263460	1	DICHTRING, M22.3 x 28 x 1.5,
25	4811892	1	DEKSEL,
26	4600893	1	DICHTINGSSTUK,
27	16044024	1	BOUT, Hex, M8 x 40, 8.8,
28	4760498	1	VEERRING,

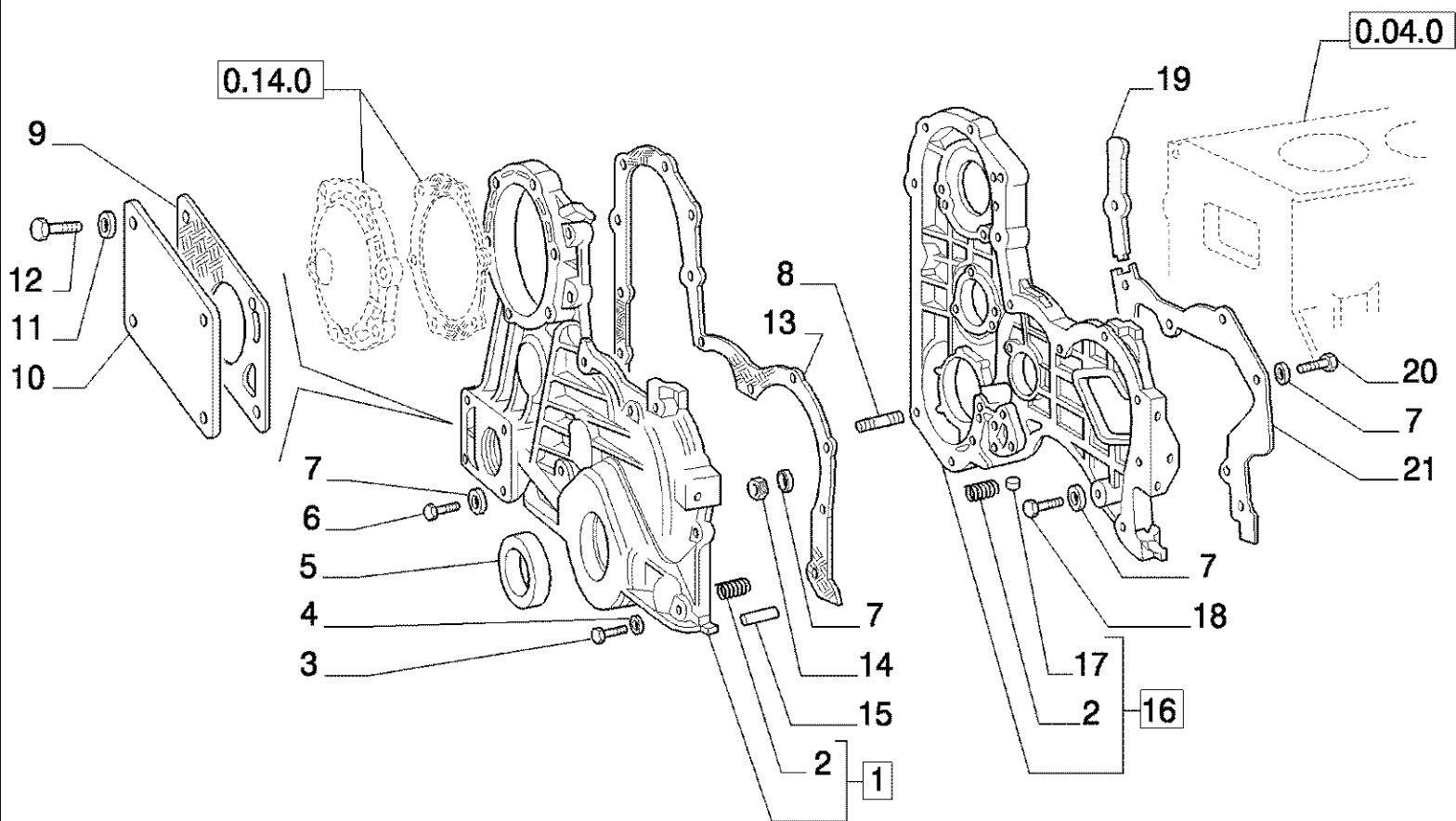
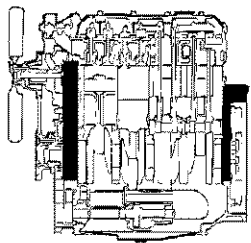
0.04.2 OLIECARTER



0.04.2 OLIECARTER

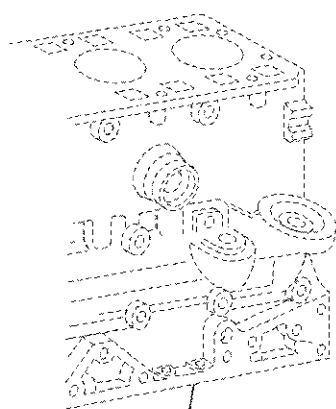
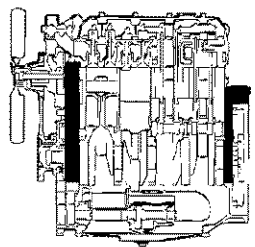
Ref	Onderdeelnummer	Kwt	Beschrijving
1	99450593	1	OLIECARTER, , with two lower holes on the front flange, diameter M18
1	504086197	1	OLIECARTER, , with two lower holes on the front flange, diameter M20
2	4607933	3	SCHROEF,
2	4607934	2	SCHROEF,
3	10516879	21	SLUITRING, D=10X18
4	4031577	1	DICHTINGSSTUK, Front
5	500347231	1	DICHTINGSSTUK, Right
6	4600753	1	DICHTINGSSTUK, Rear
7	11306934	2	BOUT, Hex, M10 x 1.25 x 30, 10.9, Full Thd,
8	15971434	5	BOUT, Hex, M10 x 1.25 x 80, 10.9,
9	11307031	9	BOUT, Hex, M10 x 1.25 x 40, 10.9, Full Thd,
10	14499521	21	SLUITRING, D=10X18
11	4694949	1	OPVULPIJP,
12	98413492	1	DEKSEL,
13	14457681	1	O-RING, -118, CI 7, .862" ID x .103" Thk, (M21.89 ID x 2.62 Thk)
14	4847102	1	PLUG,
15	10977624	2	BOUT, Hex, M5 x 12, 8.8, Full Thd,
16	500347230	1	DICHTINGSSTUK, Left
17	11199279	2	SLUITRING, M5 x 10 x 0.5

0.04.3(01) DEKSELS EN KASTEN

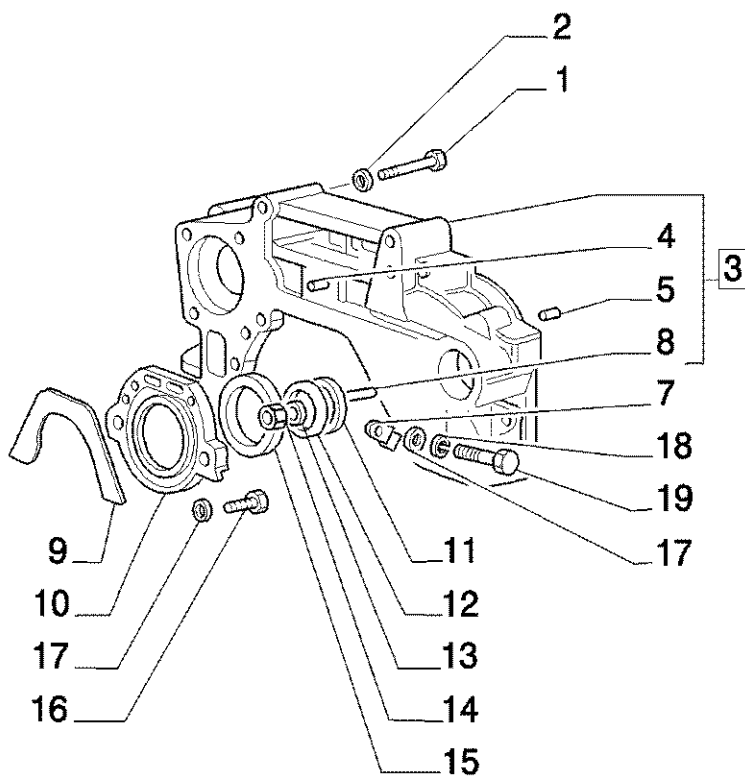


Ref	Onderdeelnummer	Kwt	Beschrijving
1	4769749	1	DEKSEL,
2	13526170	5	DRAADTUSSENSTUK,
3	15888824	1	BOUT, Hex, M10 x 1.25 x 70, 8.8,
4	14499521	1	SLUITRING, 10 X 18
5	99469265	1	DICHTINGSSTUK,
6	16044224	4	BOUT, Hex, M8 x 50, 8.8,
6	16044621	3	BOUT, Hex, M8 x 70, 8.8,
6	16044924	3	BOUT, Hex, M8 x 85, 8.8,
7	13550304	15	SLUITRING, 8.4X16
8	13543624	4	TAPEIND, M8 X 16 X 30
8	500346886	3	TAPEIND, M8 X 14 X 30
8	13546921	3	TAPEIND, M8X12X22
9	500378759	1	DICHTINGSSTUK,
10	564530	1	DEKSEL,
11	11197774	4	WASHER, SPRING, Belleville, M6.4,
12	10902424	4	BOUT, Hex, M6 x 20, 8.8, Full Thd,
13	98418138	1	DICHTINGSSTUK,
14	43362	1	MOER, M8, CI 10,
15	10839610	2	STEL PEN, D=8 x 12 mm
16	504066066	1	DEKSEL,
17	4605220	1	VERSTUIVER,
18	16043524	2	BOUT, Hex, M8 x 22, 8.8, Full Thd,
19	98432469	1	DICHTINGSSTUK,
21	98424046	1	DICHTINGSSTUK,
20	16043024	1	BOUT, Hex, M8 x 12, 8.8, Full Thd,
6	16043924	1	BOUT, Hex, M8 x 35, 8.8, Full Thd,

0.04.3(02) DEKSELS EN KASTEN

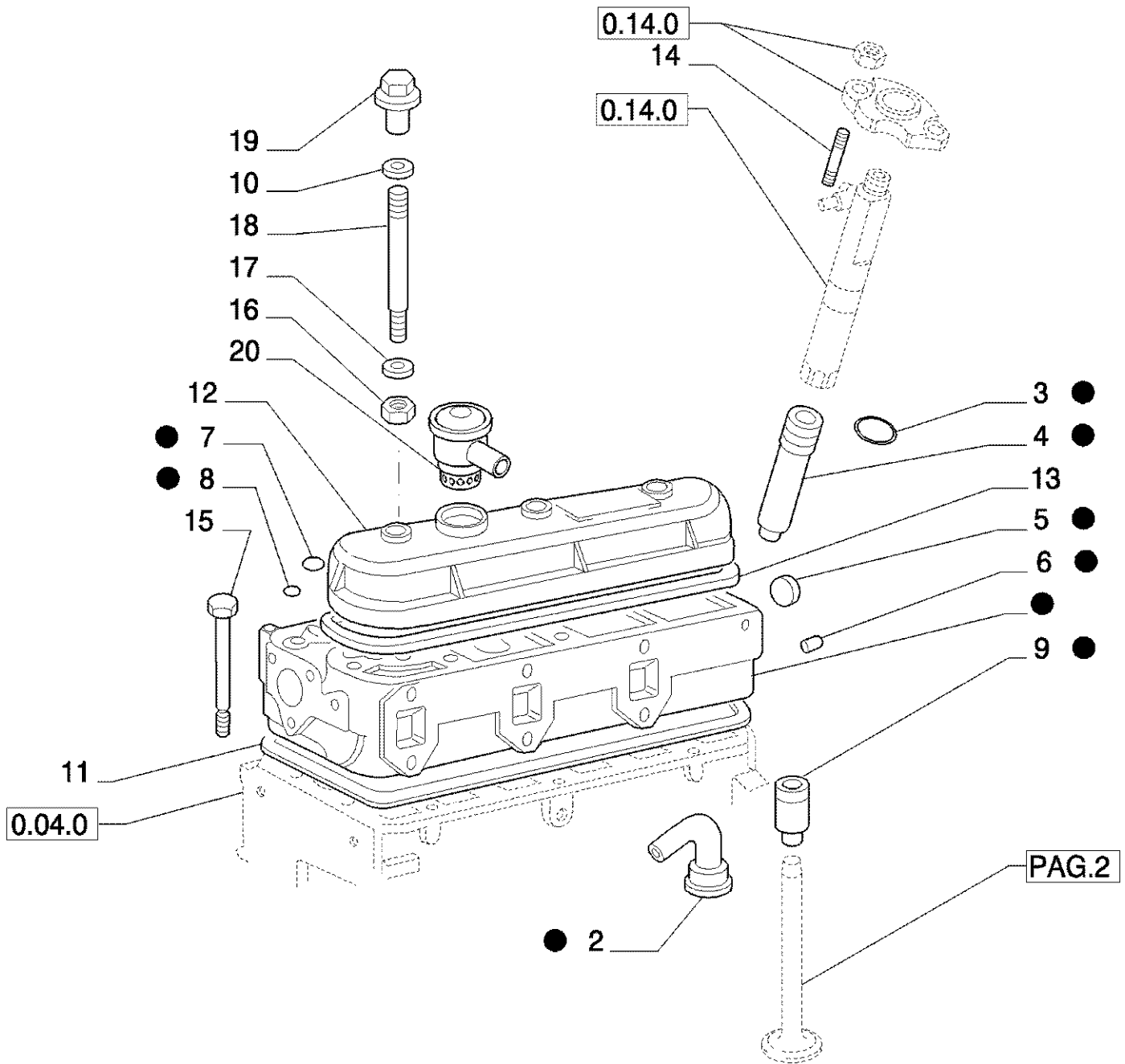
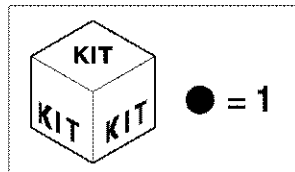
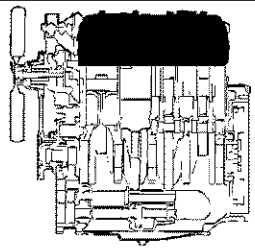


0.04.0



Ref	Onderdeelnummer	Kwt	Beschrijving
1	80280854	2	SCHROEF, M14 x 2 x 35
1	16613324	2	SCHROEF, M14 x 1,5 x 100
2	11200174	4	VEERRING,
3	500338857	1	DEKSEL,
4	10839710	2	STEL PEN,
5	4658441	2	STEL PEN,
7	500327025	1	REGELINGSREF./INDEX,
8	13517521	1	TAPEIND, M8 x 16 x 35
9	4849994	1	DICHTINGSSTUK,
10	98489586	1	DEKSEL,
11	98400797	1	DICHTINGSSTUK,
12	4670802	1	DEKSEL,
13	17094960	1	DICHTINGSSTUK,
14	16104121	1	NUT, LOCK, M8 x 1.25, CI 10,
15	99457401	1	DICHTINGSSTUK,
17	13550304	5	SLUITRING, 8.4X16
18	11193874	1	WASHER, SPRING, Belleville, M8.4, D=8X16X1.4
19	16043224	1	BOUT, Hex, M8 x 16, 8.8, Full Thd,
16	16043924	4	BOUT, Hex, M8 x 35, 8.8, Full Thd,

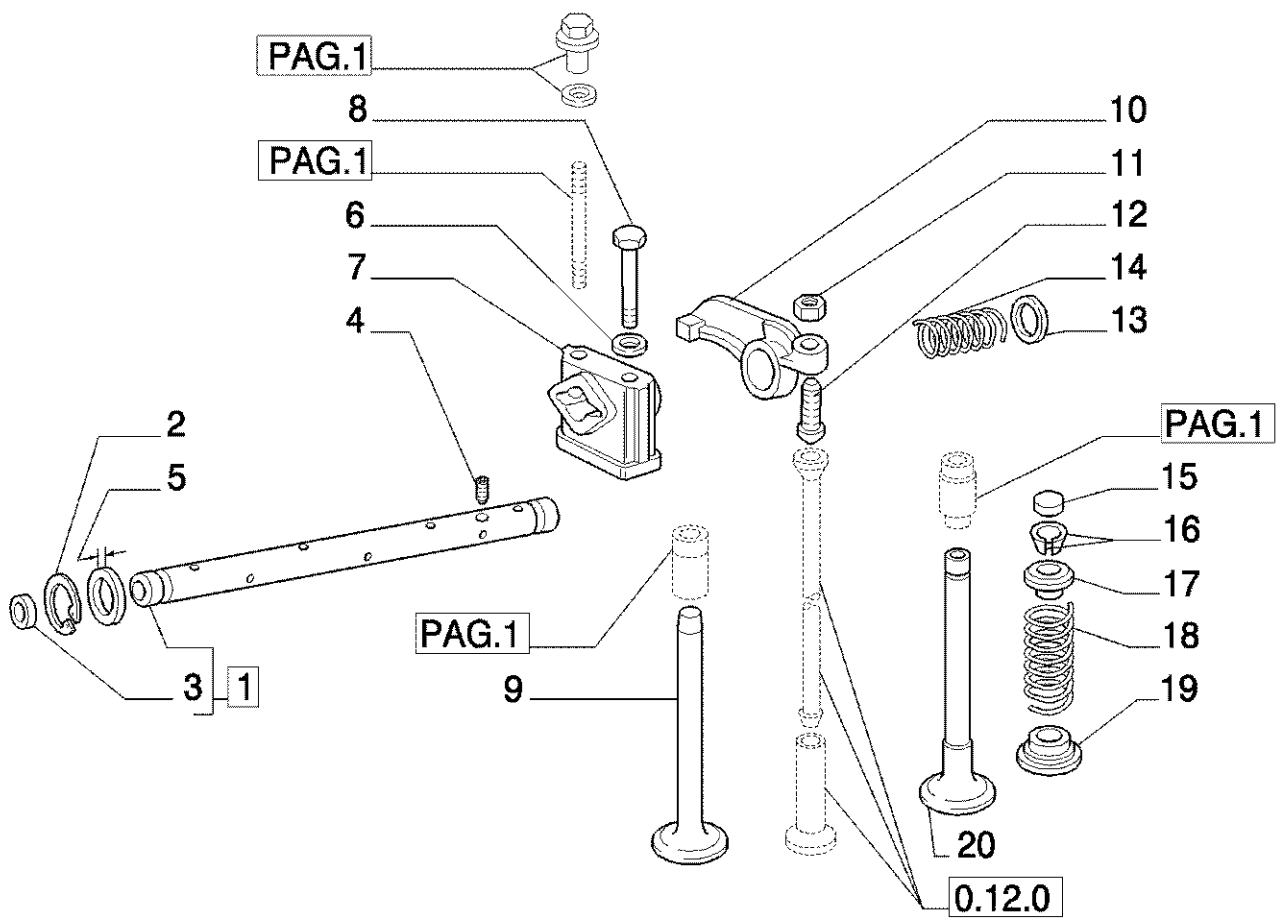
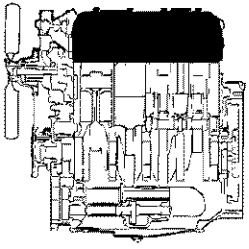
0.06.0(01) CYLINDERKOP



360 KOMPAKT TRACTOR (4/03-) - Motor

0.06.0(01) CYLINDERKOP

Ref	Onderdeelnummer	Kwt	Beschrijving
1	504067369	1	CYLINDERKOP, 360 KOMPAKT
1	99464908	1	CYLINDERKOP, 370 KOMPAKT, 375 KOMPAKT
2	4818862	3	BUISLEIDING,
3	14453981	6	O-RING, -022, CI 7, .989 " ID x .070" Thk,
4	4770859	3	LAGERBUS,
5	14282970	1	PLUG, M45, Tapered, Stainless,
6	99434231	1	PLUG, M10 x 1.25
7	14282470	6	PLUG, M28, Tapered, Stainless,
8	14282170	1	PLUG, M20, Tapered, Stainless,
9	4802126	6	KLEPGELEIDER, +0.0
9	4802127	6	KLEPGELEIDER, +0.2
10	98416134	3	DICHTRING,
11	99442632	1	CYLINDERKOPDICHTING, THK.1.35 (GOETZE)
11	99481361	1	CYLINDERKOPDICHTING, THK.1.55 (ELRING)
11	98472011	1	CYLINDERKOPDICHTING, THK.1.35 (ELRING)
12	99460556	1	COVER, VALVE,
13	99460554	1	DICHTINGSSTUK,
14	500380521	6	TAPEIND,
15	4796457	14	SCHROEF, M12X1,25
16	43362	3	MOER, M8, CI 10,
17	13550304	3	SLUITRING,
18	98458149	3	TAPEIND, M8X1,25X76
19	98417659	3	MOER,
20	504058466	1	ONTLUCHTER,

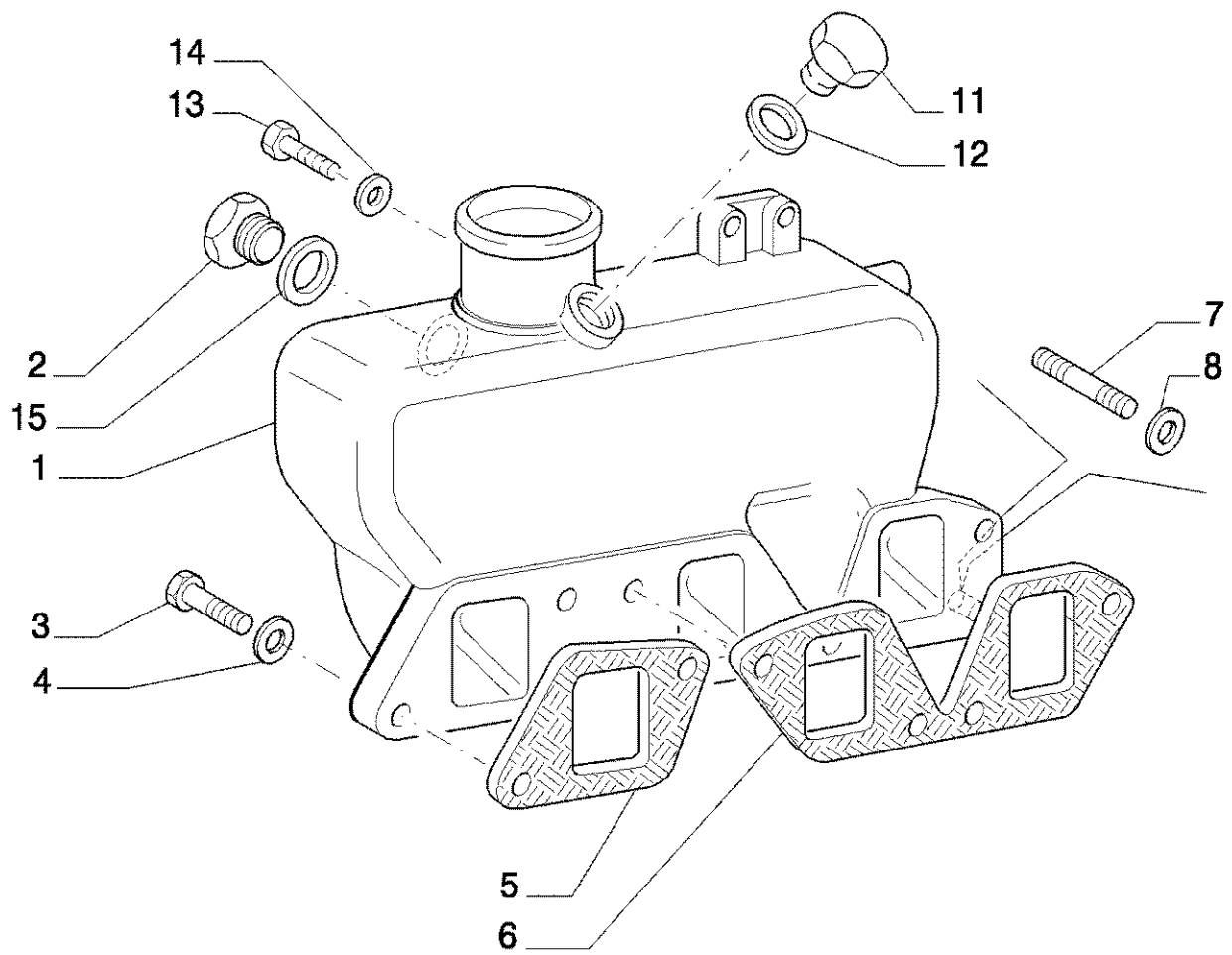
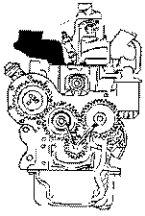


360 KOMPAKT TRACTOR (4/03-) - Motor

0.06.0(02) CYLINDERKOP

Ref	Onderdeelnummer	Kwt	Beschrijving
1	4682990	1	AS, ASSY
2	84021874	2	RING, SNAP, M18, Ext,
3	14328301	2	PLUG, M12, Tapered,
4	4846851	1	SCHROEF,
5	4570798	4	DIKTEPLAAT, 0,7mm
5	4570799	4	DIKTEPLAAT, 0,5mm
6	13550304	3	SLUITRING,
7	4601295	3	STEUN,
8	16044524	3	BOUT, Hex, M8 x 65, 8.8,
9	99432717	3	UITLAATKLEP,
10	4848973	6	TUIMELAAR,
11	4338920	6	MOER,
12	4699783	6	SCHROEF,
13	4639661	4	SLUITRING,
14	4601296	2	VEER,
15	4838680	6	RESERVOIRDOP,
16	14196670	12	TUIMELAARSPIE,
17	4780558	6	KOM,
18	4812347	6	VEER,
19	4817424	6	KOM,
20	4824417	3	INLAATKLEP,

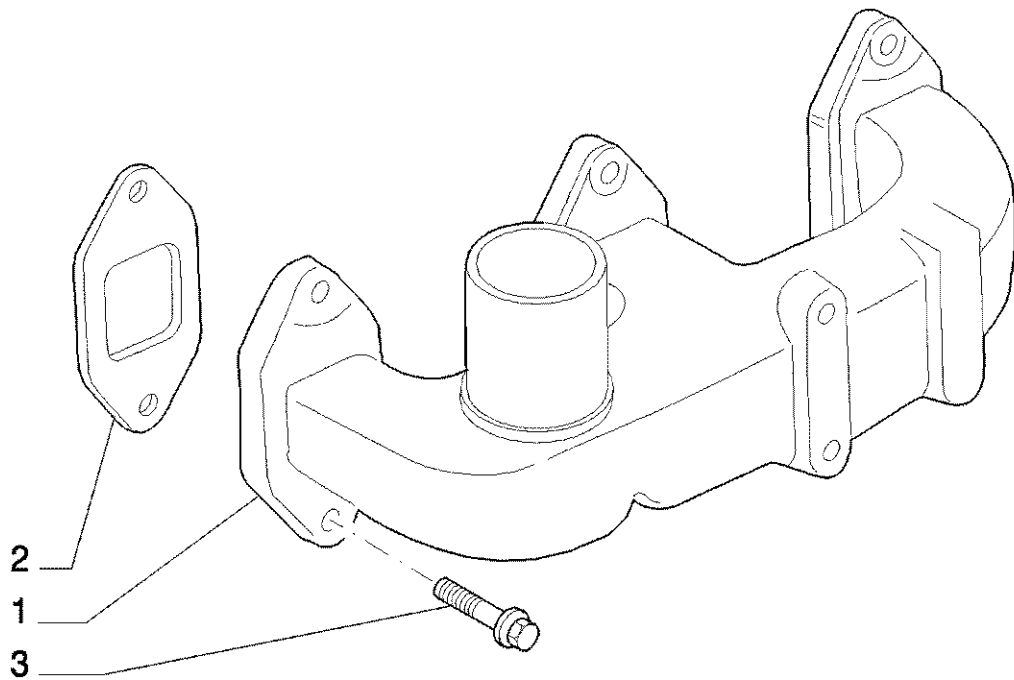
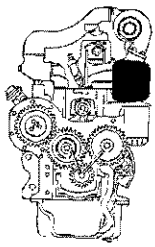
0.07.1 AANZUIGINGSKANAAL



0.07.1 AANZUIGINGSKANAAL

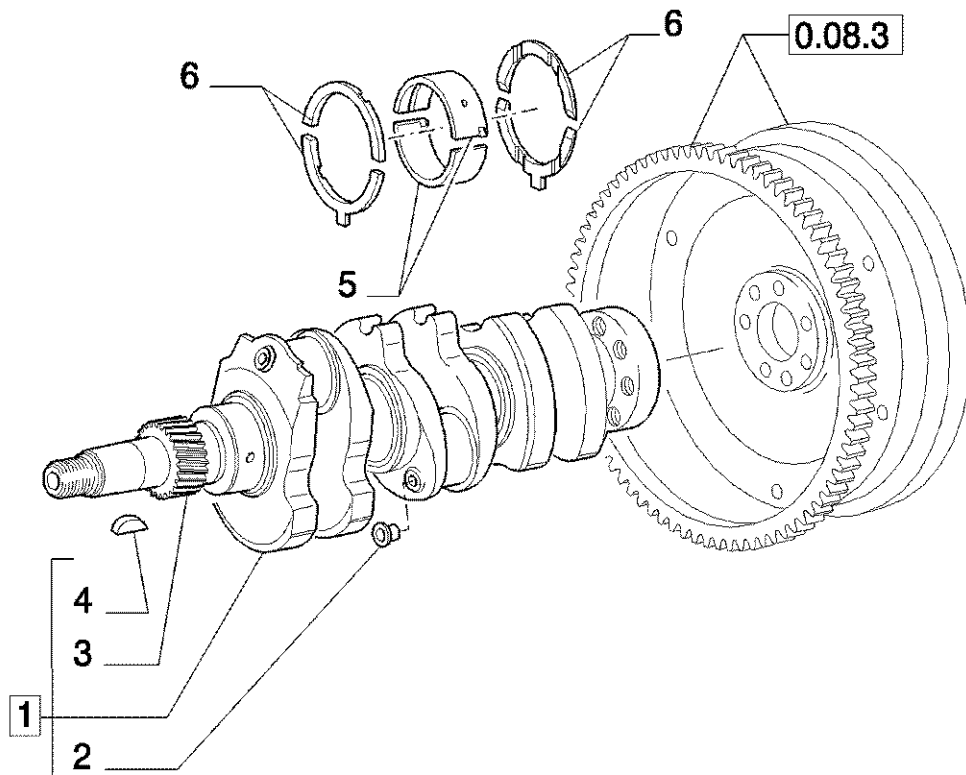
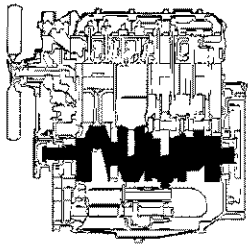
Ref	Onderdeelnummer	Kwt	Beschrijving
1	504047535	1	INLAATLEIDING,
2	44903406	1	PLUG,
3	16043224	4	BOUT, Hex, M8 x 16, 8.8, Full Thd,
4	13550304	4	SLUITRING,
5	98400791	1	DICHTINGSSTUK,
6	4851921	1	DICHTINGSSTUK,
7	13543321	1	TAPEIND, M8X20
8	4858605	1	DICHTINGSRING, 8X12
11	4827588	1	PLUG, M20
12	98429280	1	DICHTINGSSTUK, 20X26
13	10979424	2	BOUT, Hex, M6 x 10, 8.8, Full Thd,
14	10297760	2	WASHER, COPPER, M6.2 x 12 x 1, Copper,
15	10279560	1	WASHER, COPPER, M22.3 x 28 x 1,
3	16043424	1	BOUT, Hex, M8 x 20, 8.8, Full Thd,

0.07.6 AFVOERLEIDING



0.07.6 AFVOERLEIDING

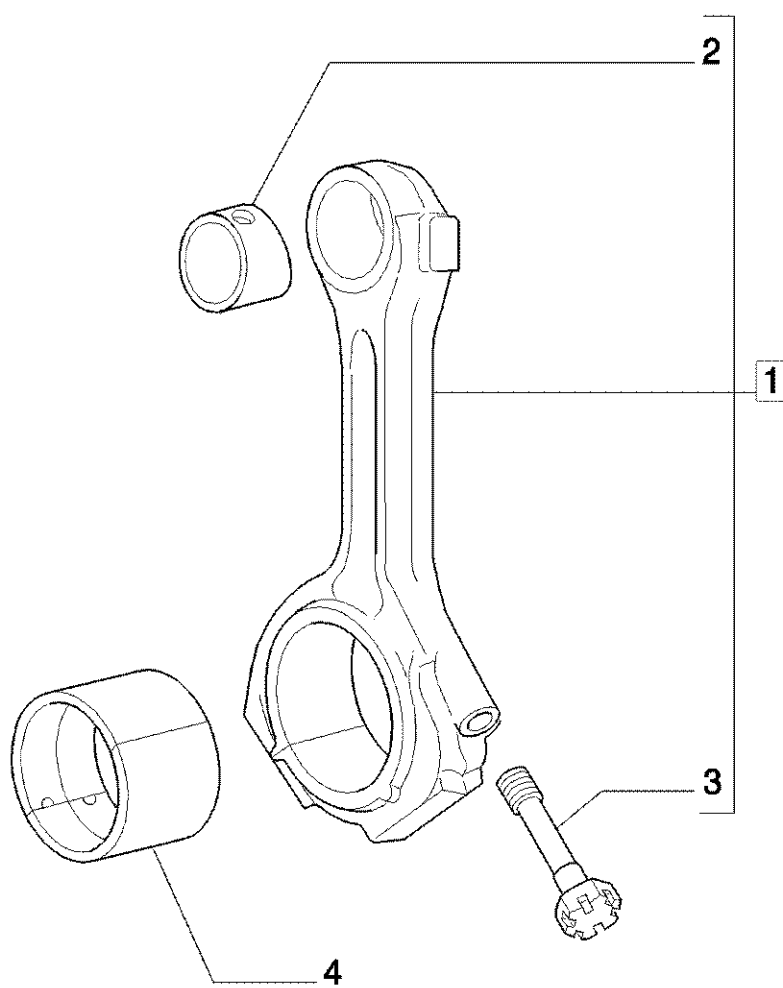
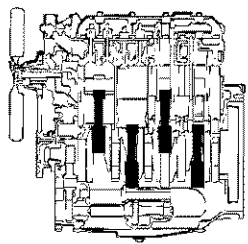
Ref	Onderdeelnummer	Kwt	Beschrijving
1	99440323	1	UITLAATBUIS,
2	98489690	3	DICHTINGSSTUK,
3	98488122	6	SCHROEF, M8 x 1,25 x 40



0.08.0 MOTORAS

Ref	Onderdeelnummer	Kwt	Beschrijving
1	98461246	1	KRUKAS,
2	14328101	3	PLUG, M8, Tapered,
3	4809524	1	AANDRIJVINGSTANDWIEL,
4	4655844	2	INLEGSPIE,
5	1930812	4	SET VAN HALVE LAGERBUSSEJ,
5	1930813	4	SET OF MAIN BRGS -0.254,
5	1930814	4	STEL LAGERKUSSENS -0.508,
6	1901385	1	SET HALVE SLUITRINGEN,
6	1901386	1	SET HALVE SLUITR. +0.10,
6	1901387	1	SET HALVE SLUITR. +0.25,
6	1901388	1	HALF RINGS SET + 0.508,

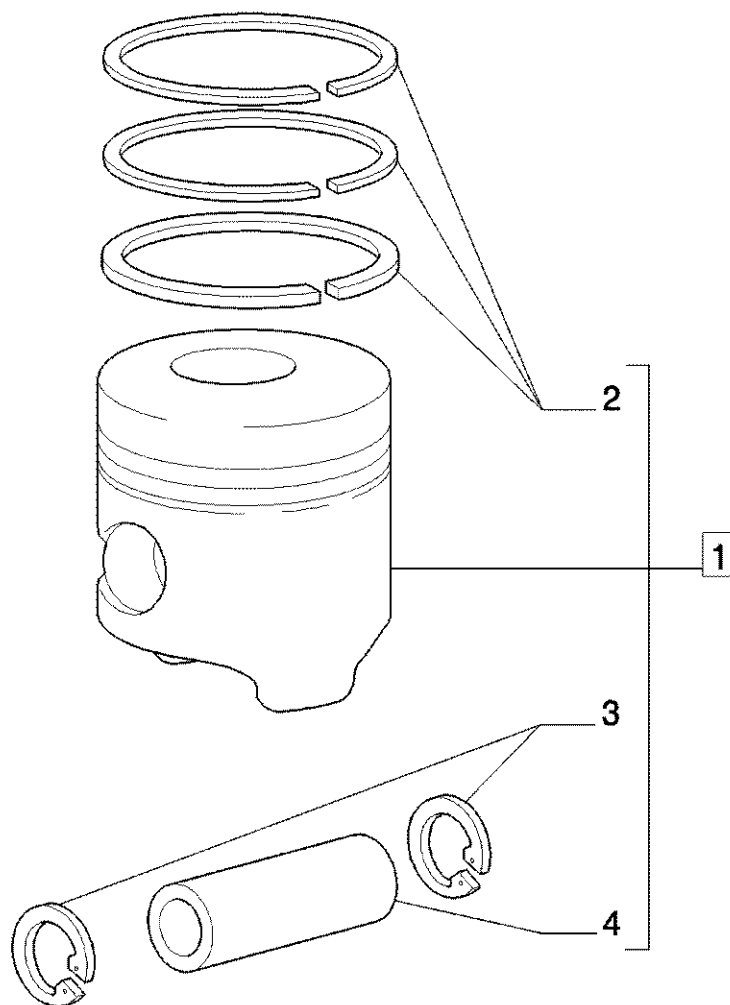
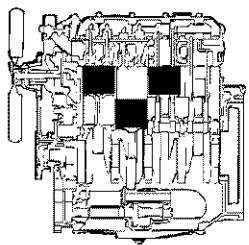
0.08.1 DRIJFSTANG



0.08.1 DRIJFSTANG

Ref	Onderdeelnummer	Kwt	Beschrijving
1	98461751	3	VERBINDINGSSTANG, 360 KOMPAKT
1	98461753	3	VERBINDINGSSTANG, 370 KOMPAKT, 375 KOMPAKT
2	98460411	1	LAGERBUS, 360 KOMPAKT
2	98459977	1	LAGERBUS, 370 KOMPAKT, 375 KOMPAKT
3	4780627	6	SCHROEF,
4	1930181	3	SET VAN HALVE LAGERBUSSEJ, 360 KOMPAKT
4	1930182	3	SET OF MAIN BRGS -0.254, 360 KOMPAKT
4	1930183	3	STEL LAGERKUSSENS -0.508, 360 KOMPAKT
4	1930201	3	SET VAN HALVE LAGERBUSSEJ, 370 KOMPAKT, 375 KOMPAKT
4	1930202	3	SET OF MAIN BRGS -0.254, 370 KOMPAKT, 375 KOMPAKT
4	1930203	3	STEL LAGERKUSSENS -0.508, 370 KOMPAKT, 375 KOMPAKT

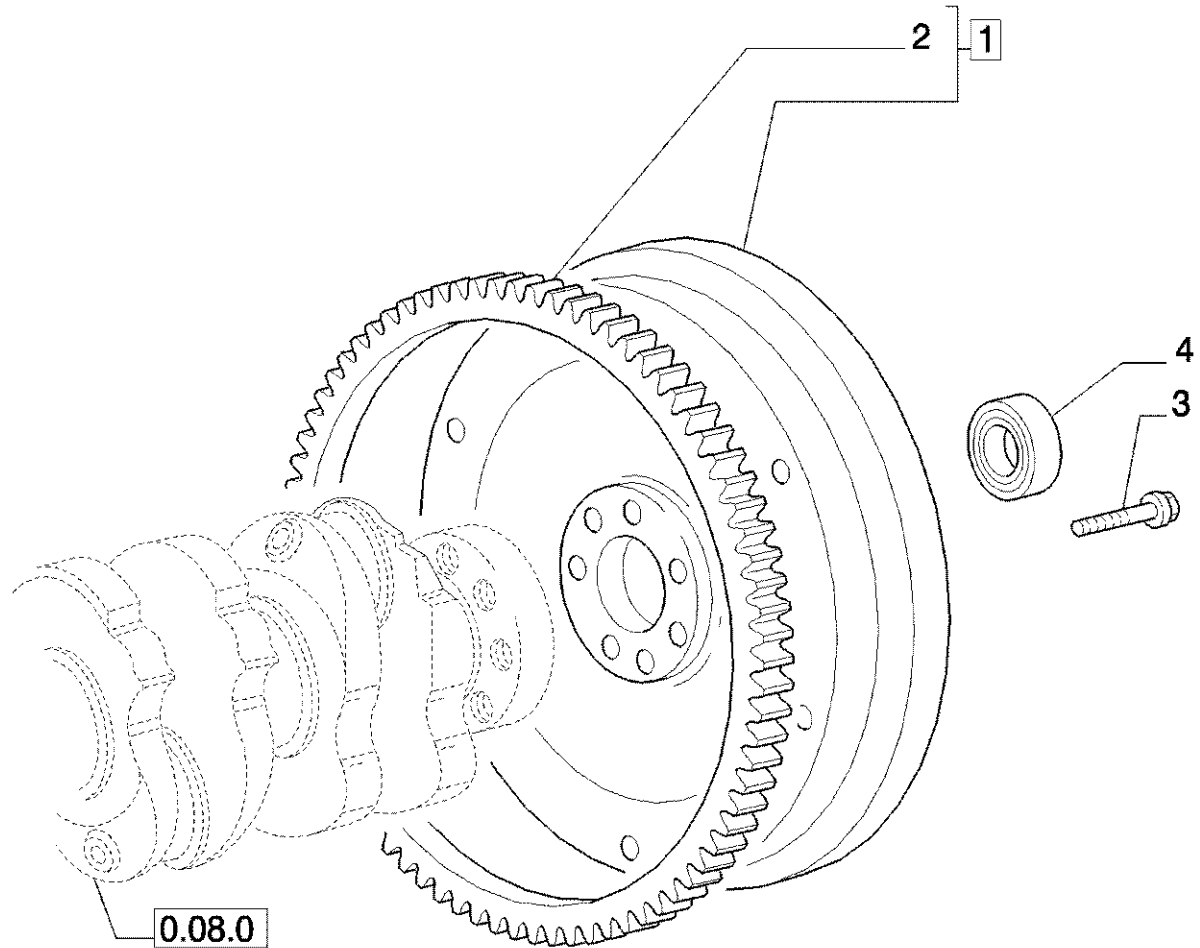
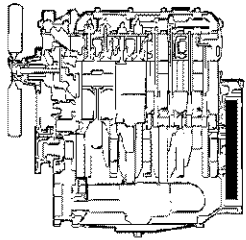
0.08.2 ZUIGERS



0.08.2 ZUIGERS

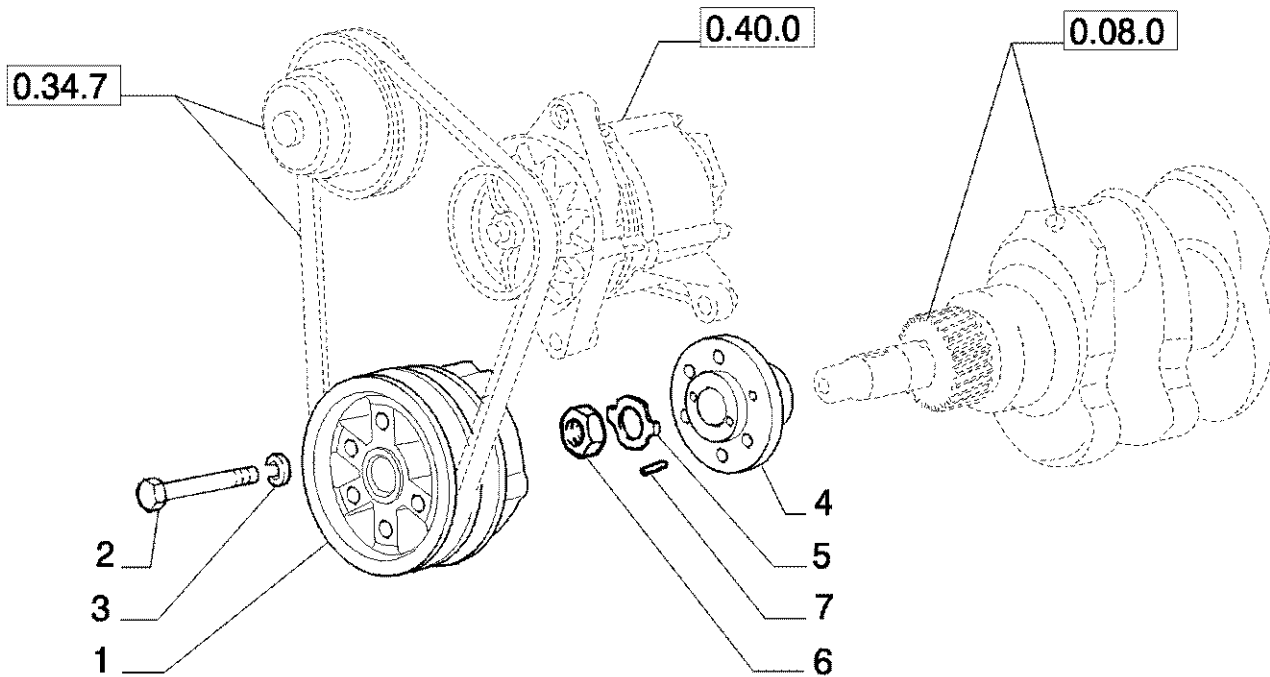
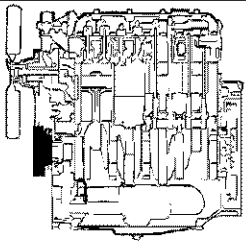
Ref	Onderdeelnummer	Kwt	Beschrijving
1	1931002	3	ZUIERGEHEEL,
1	1931003	3	ZUIGER +0.6,
2	1931000	3	STEL RINGEN,
2	1931001	3	SET, PISTON RINGS + 0.6,
3	4770452	6	RING, SNAP,
4	4801851	3	ZUIGERPEN,

0.08.3 Vliegwiël



0.08.3 VLIEGWIEL

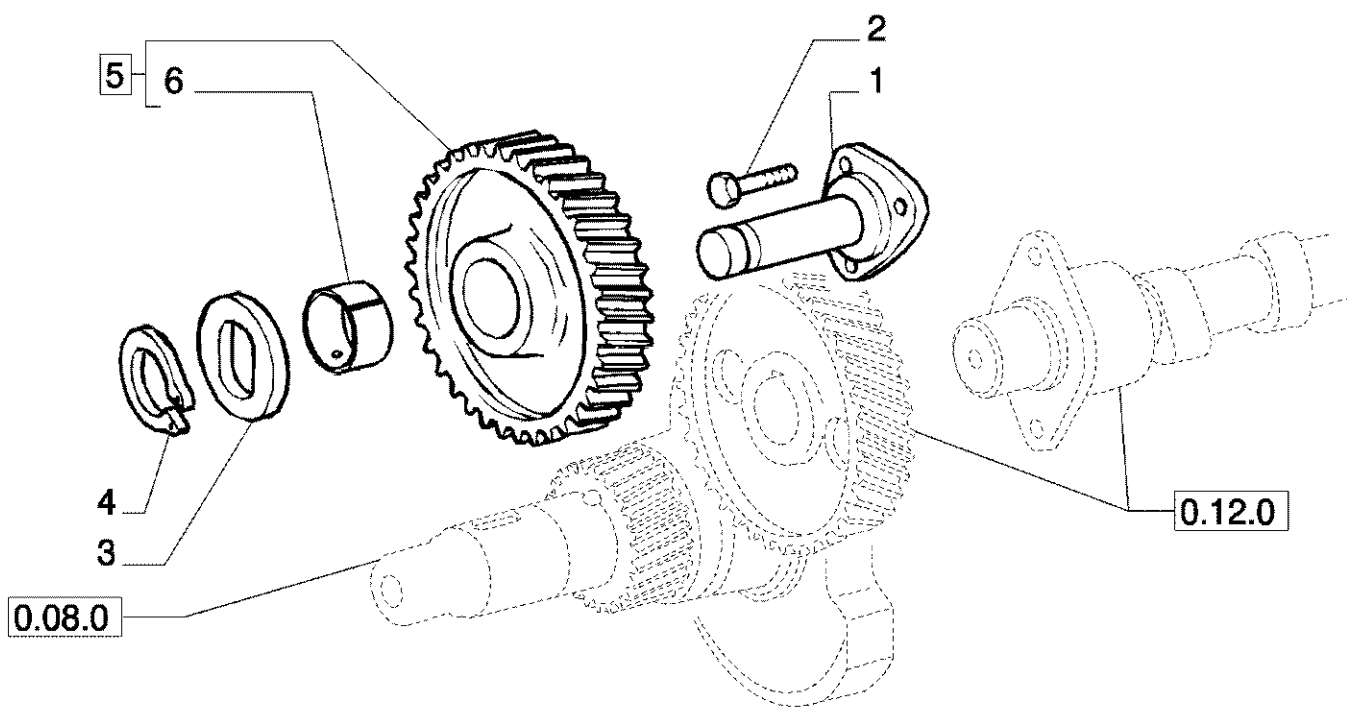
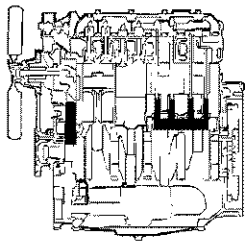
Ref	Onderdeelnummer	Kwt	Beschrijving
1	99440514	1	VLIEGWIEL, MOTOR,
2	4602143	1	KROONWIEL,
3	4779121	7	SCHROEF,
4	500311249	1	LAGER, DRUKKOPPELING,



0.08.4 DEMPER

Ref	Onderdeelnummer	Kwt	Beschrijving
1	99481438	1	RIEMSCHIJF,
2	98402354	5	SCHROEF, M10 x 1.25 x 55
3	11190574	5	WASHER, SPRING, Belleville, M10.5,
4	99447627	1	NAAF,
5	4600190	1	VEERRING,
6	4600189	1	MOER,
7	80412663	1	STEL PEN, D=5 mm

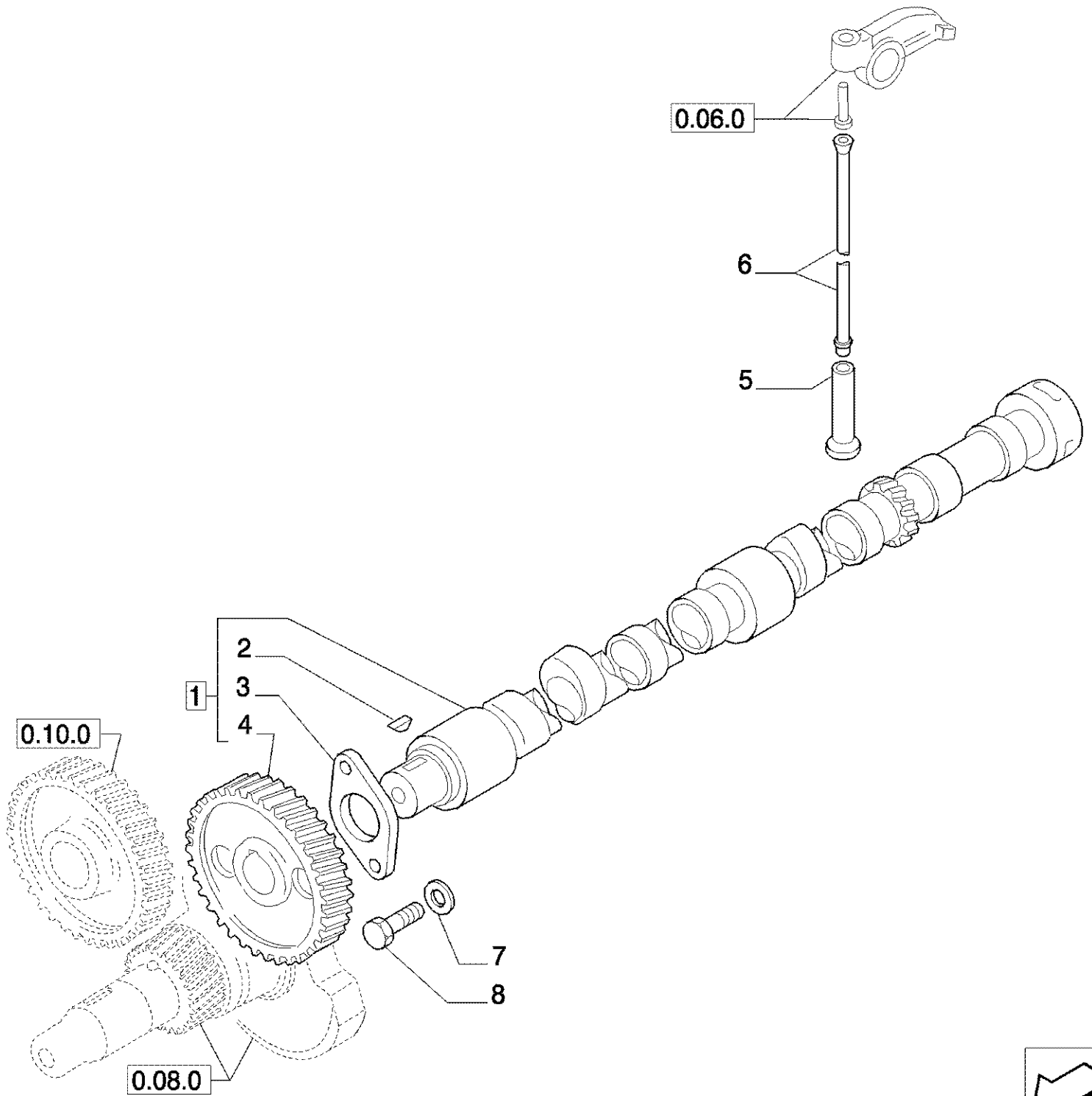
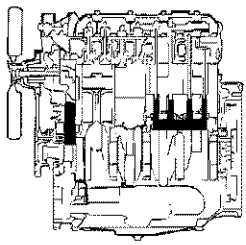
0.10.0 STUURINRICHTING



0.10.0 STUURINRICHTING

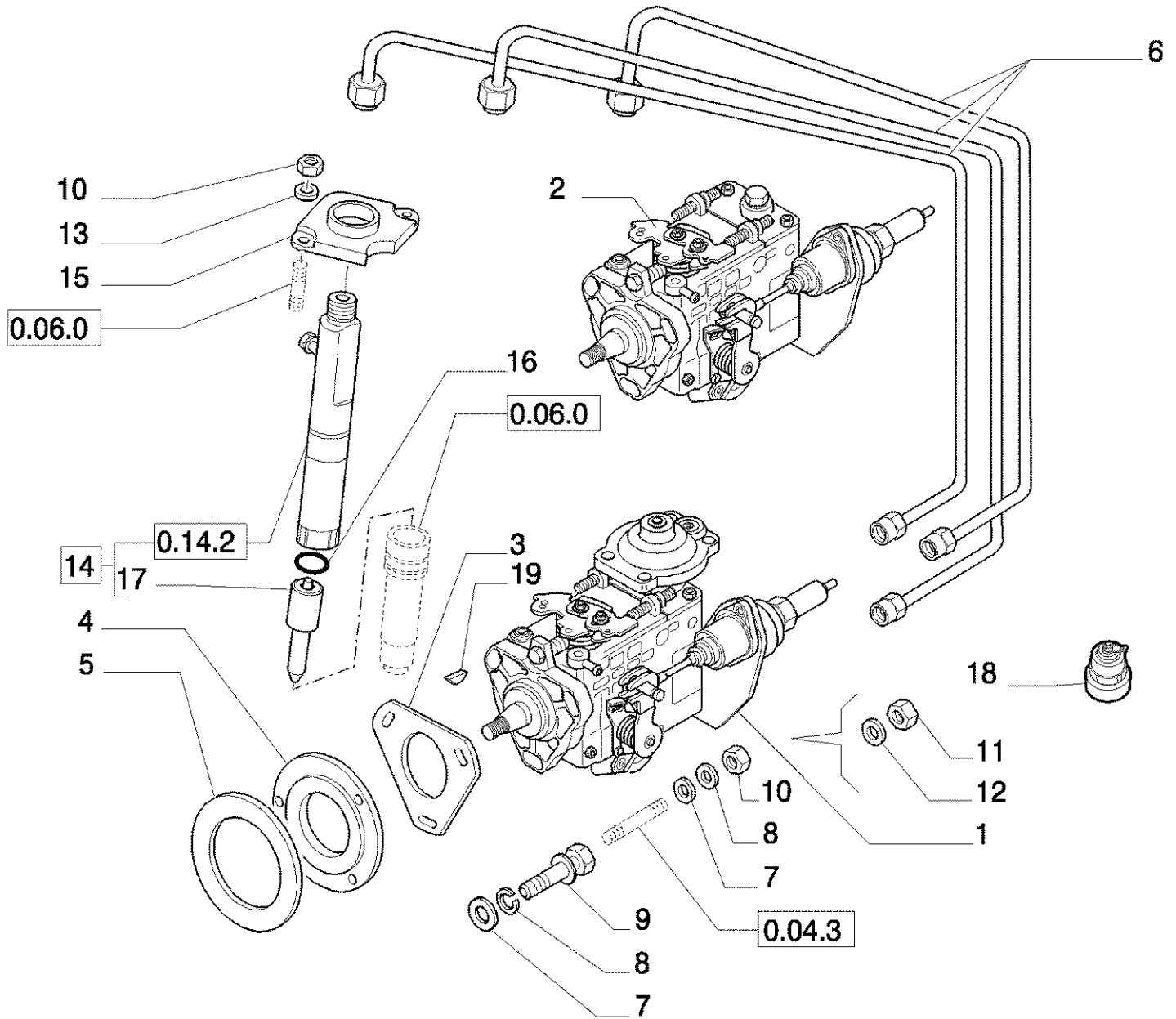
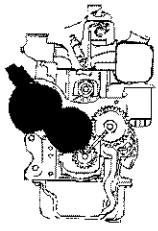
Ref	Onderdeelnummer	Kwt	Beschrijving
1	98414013	1	PEN,
2	98413884	3	SCHROEF, M10 x 1.25 x 26
3	4848377	1	SLUITRING,
4	4848378	1	RING, SNAP,
5	98435129	1	TANDWIEL, ASSEMBLY
6	98428924	1	LAGERBUS,

0.12.0 NOKKENAS



0.12.0 NOKKENAS

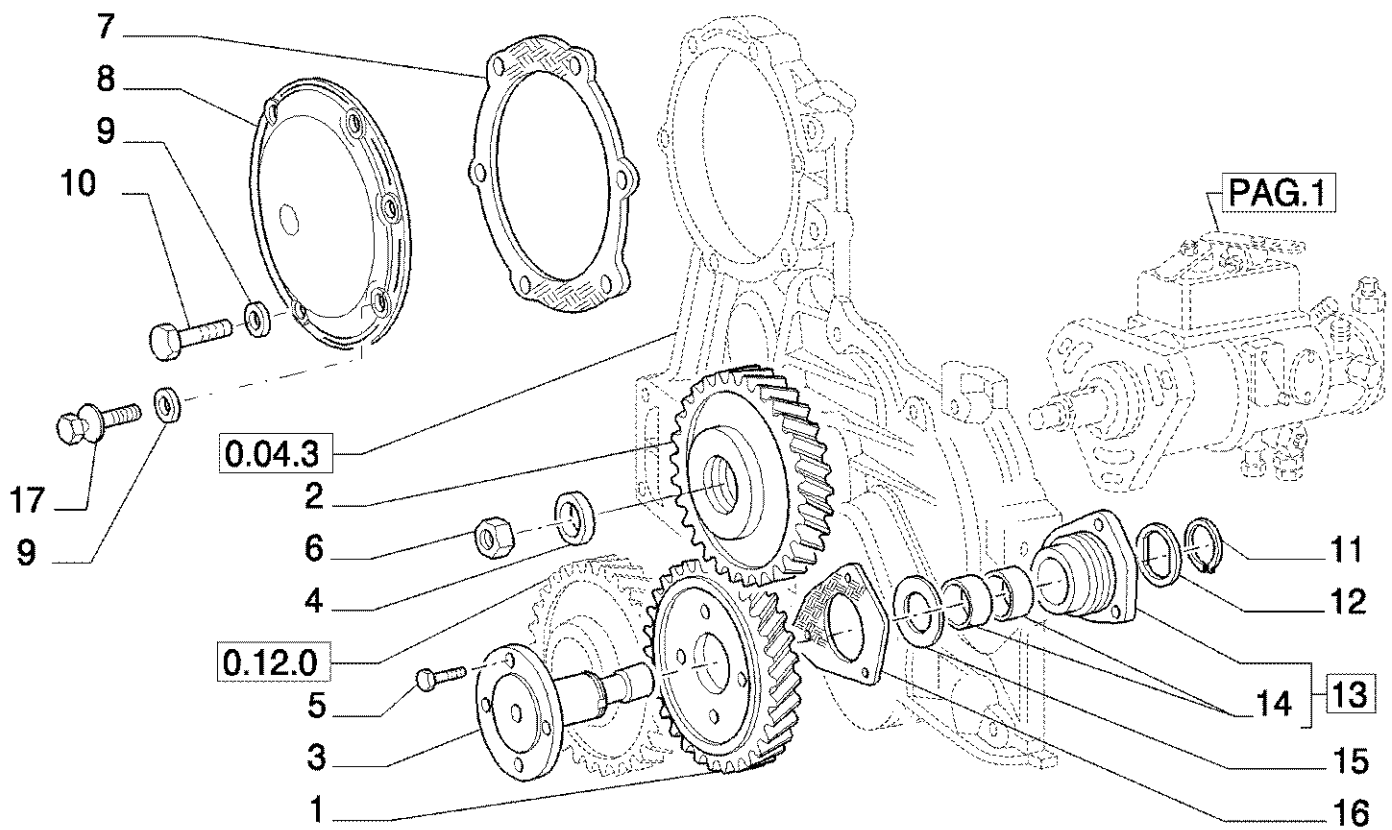
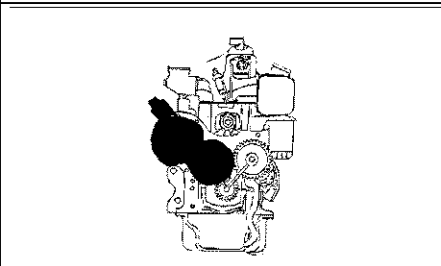
Ref	Onderdeelnummer	Kwt	Beschrijving
1	4824215	1	NOKKENAS,
2	10203220	1	INLEGSPIE,
3	4599398	1	PLAAT,
4	4769412	1	AANGEDREVEN TANDWIEL,
5	98471524	6	LAGER, ROL, +0.0MM
5	98471525	6	LAGER, ROL, +0.1MM
5	98471526	6	LAGER, ROL, +0.2MM
5	98471527	6	LAGER, ROL, +0.3MM
6	98471529	6	STANG,
7	11193874	2	WASHER, SPRING, Belleville, M8.4,
8	16043424	2	BOUT, Hex, M8 x 20, 8.8, Full Thd,



360 KOMPAKT TRACTOR (4/03-) - Motor

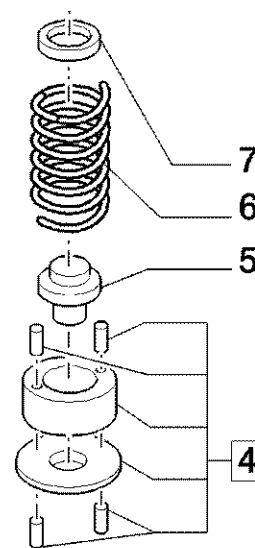
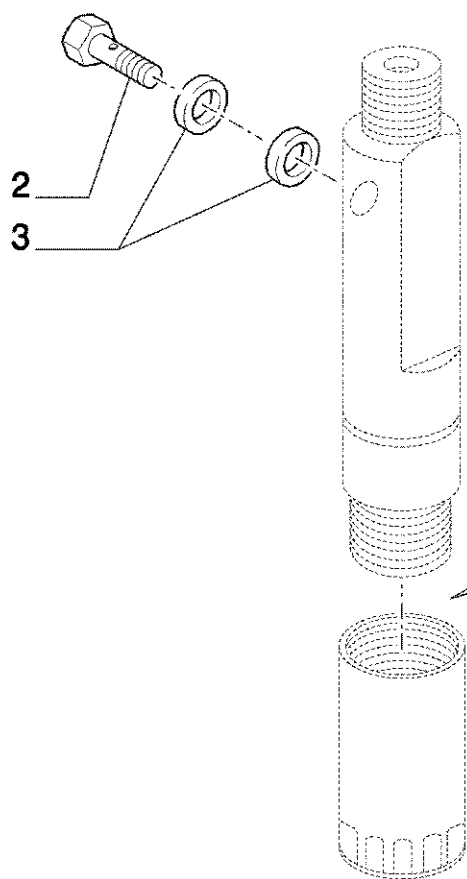
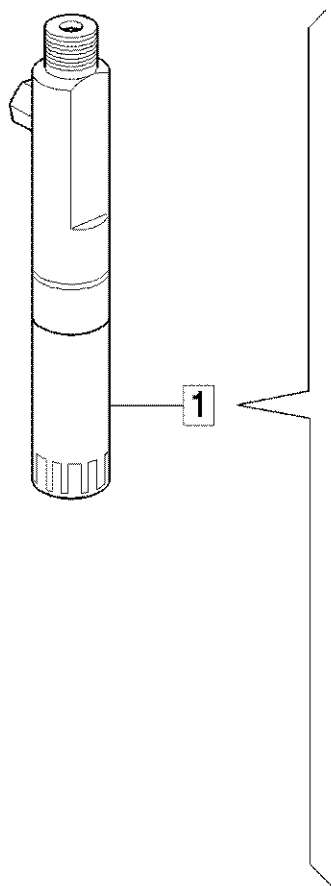
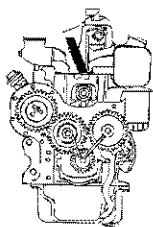
0.14.0(01) INJECTIEPOMP

Ref	Onderdeelnummer	Kwt	Beschrijving
1	504042213	1	INJECTIEPOMP, 375 KOMPAKT
1	504054475	1	INJECTIEPOMP, 370 KOMPAKT
2	504041420	1	INJECTIEPOMP, 360 KOMPAKT
3	4851923	1	DICHTINGSSTUK,
4	4607646	1	AFSTANDSRING,
5	98400782	1	DICHTINGSSTUK,
6	99441952	1	STEL BUIZEN,
7	12647121	3	SLUITRING, M8 x 20 x 3,
8	11193874	3	WASHER, SPRING, Belleville, M8.4,
9	500327046	1	SCHROEF,
10	43362	9	MOER, M8, CI 10,
11	86509265	1	MOER, M5, CI 10,
12	11199279	1	SLUITRING, M5 x 10 x 0.5
13	771326	6	SLUITRING, D=8 mm
14	504054021	3	VERSTUIVER, 360 KOMPAKT
14	500307714	3	VERSTUIVER, 375 KOMPAKT, 375 KOMPAKT
16	80066297	3	O-RING, D=8 x 1 x 26 mm
15	4780612	3	STEUNBEUGEL,
17	504051747	1	VERSTUIVER, 360 KOMPAKT
17	99469341	1	VERSTUIVER, 375 KOMPAKT, 375 KOMPAKT
18	2852741	1	SOLENOIDE,
19	10205810	1	WOODRUFF KEY, M4 x 6.5 x 15.72,



Ref	Onderdeelnummer	Kwt	Beschrijving
1	98445955	1	TANDWIEL,
2	504064597	1	TANDWIEL,
3	4784054	1	AS,
4	11194174	1	WASHER, SPRING, Belleville, M10.5,
5	4798845	4	SCHROEF, M8 x 1.25 x 16.5
6	12164021	1	MOER, M14 x 1.5, CI 10,
7	98400781	1	DICHTINGSSTUK,
8	4783048	1	DEKSEL,
9	13550304	6	SLUITRING,
10	16043624	2	BOUT, Hex, M8 x 25, 8.8, Full Thd,
11	4769420	1	RING, SNAP,
12	98465565	1	SLUITRING,
13	98465563	1	STEUN,
14	4769418	2	LAGERBUS,
15	4667452	1	SLUITRING,
16	98400787	2	DICHTINGSSTUK,
10	16044424	4	BOUT, Hex, M8 x 60, 8.8,

0.14.2 INJECTOR



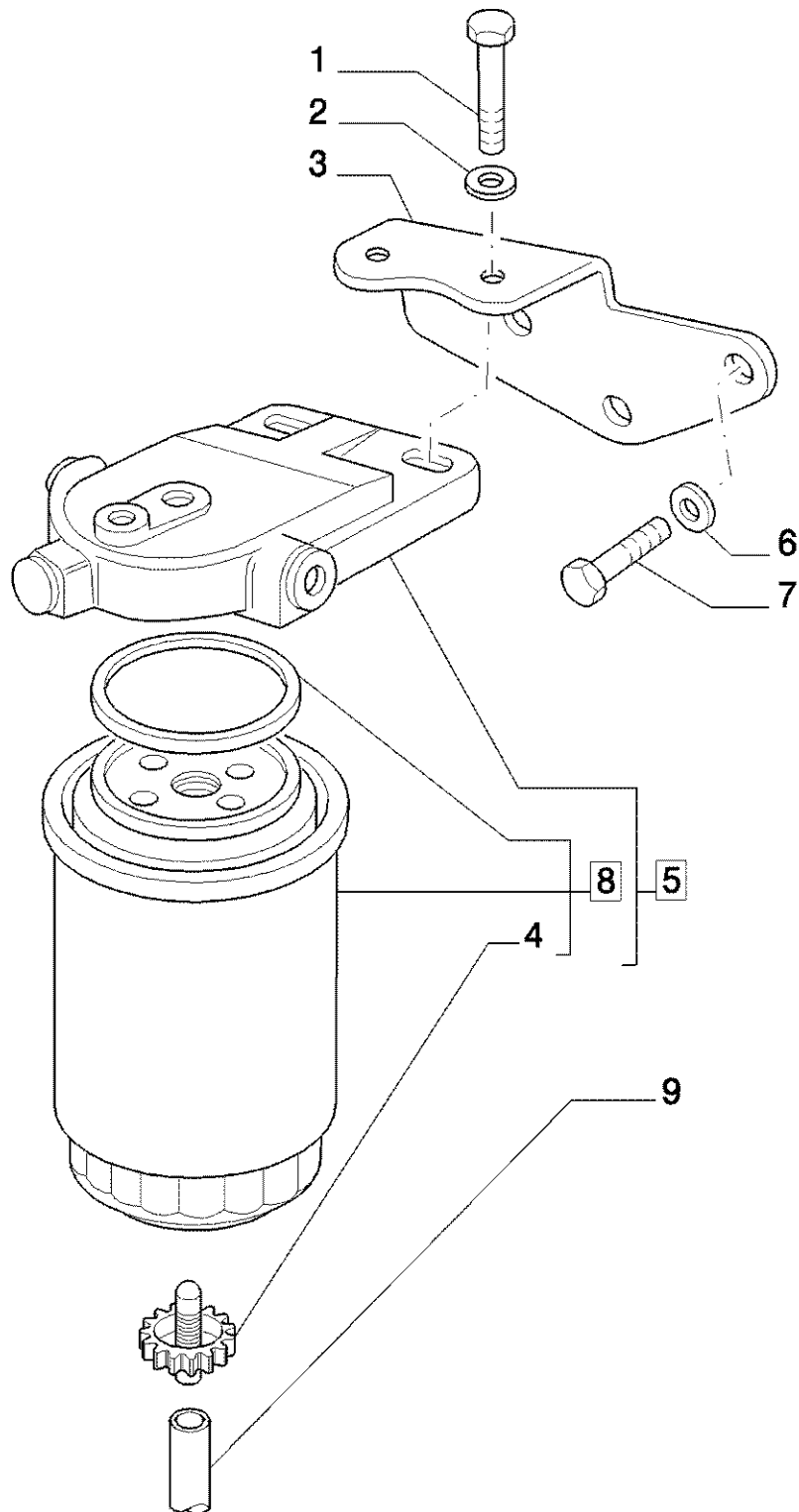
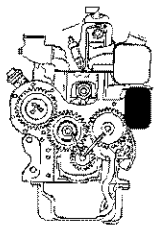
0.14.2 INJECTOR

Ref	Onderdeelnummer	Kwt	Beschrijving
1	4791124	1	HOLDER NOZZLE,
2	9982964	1	VERBINDINGSBOUT,
3	9929742	2	DICHTINGSSTUK,
4	42490269	1	AFSTANDSRING,
5	9978014	1	PEN,
6	42490267	1	VEER,
7	79067806	AR	DIKTEPLAAT, 1.00 mm
7	79067807	AR	DIKTEPLAAT, 1.02 mm
7	79067808	AR	DIKTEPLAAT, 1.04 mm
7	79067809	AR	DIKTEPLAAT, 1.06 mm
7	79067810	AR	DIKTEPLAAT, 1.08 mm
7	79067811	AR	DIKTEPLAAT, 1.10 mm
7	79067812	AR	DIKTEPLAAT, 1.12 mm
7	79067813	AR	DIKTEPLAAT, 1.14 mm
7	79067814	AR	DIKTEPLAAT, 1.16 mm
7	79067815	AR	DIKTEPLAAT, 1.18 mm
7	79067816	AR	DIKTEPLAAT, 1.20 mm
7	79067817	AR	DIKTEPLAAT, 1.22 mm
7	79067818	AR	DIKTEPLAAT, 1.24 mm
7	79067819	AR	DIKTEPLAAT, 1.26 mm
7	79067820	AR	DIKTEPLAAT, 1.28 mm
7	79067821	AR	DIKTEPLAAT, 1.30 mm
7	79067822	AR	DIKTEPLAAT, 1.32 mm
7	79067823	AR	DIKTEPLAAT, 1.34 mm
7	79067824	AR	DIKTEPLAAT, 1.36 mm
7	79067825	AR	DIKTEPLAAT, 1.38 mm
7	79067826	AR	DIKTEPLAAT, 1.40 mm
7	79067828	AR	DIKTEPLAAT, 1.44 mm
7	79067829	AR	DIKTEPLAAT, 1.46 mm
7	79067830	AR	DIKTEPLAAT, 1.48 mm
7	79067832	AR	DIKTEPLAAT, 1.52 mm
7	79067834	AR	DIKTEPLAAT, 1.56 mm
7	9969345	AR	DIKTEPLAAT, 1.54 mm
7	9970439	AR	DIKTEPLAAT, 1.42 mm
7	9971765	AR	DIKTEPLAAT, 1.50 mm
7	79067835	AR	DIKTEPLAAT, 1.58 mm
7	79067836	AR	DIKTEPLAAT, 1.60 mm
7	79067837	AR	DIKTEPLAAT, 1.62 mm
7	79067838	AR	DIKTEPLAAT, 1.64 mm
7	79067839	AR	DIKTEPLAAT, 1.66 mm
7	79067840	AR	DIKTEPLAAT, 1.68 mm

0.14.2 INJECTOR

Ref	Onderdeelnummer	Kwt	Beschrijving
7	79067841	AR	DIKTEPLAAT, 1.70 mm
7	79067842	AR	DIKTEPLAAT, 1.72 mm
7	79067843	AR	DIKTEPLAAT, 1.74 mm
7	79067844	AR	DIKTEPLAAT, 1.76 mm
7	79067845	AR	DIKTEPLAAT, 1.78 mm
7	79067847	AR	DIKTEPLAAT, 1.82 mm
7	79067848	AR	DIKTEPLAAT, 1.84 mm
7	79067849	AR	DIKTEPLAAT, 1.86 mm
7	79067850	AR	DIKTEPLAAT, 1.88 mm
7	79067851	AR	DIKTEPLAAT, 1.90 mm
7	79067852	AR	DIKTEPLAAT, 1.92 mm
7	79067853	AR	DIKTEPLAAT, 1.94 mm
7	79067854	AR	DIKTEPLAAT, 1.96 mm
7	9971757	AR	DIKTEPLAAT, 1.80 mm
7	9971764	AR	DIKTEPLAAT, 1.98 mm

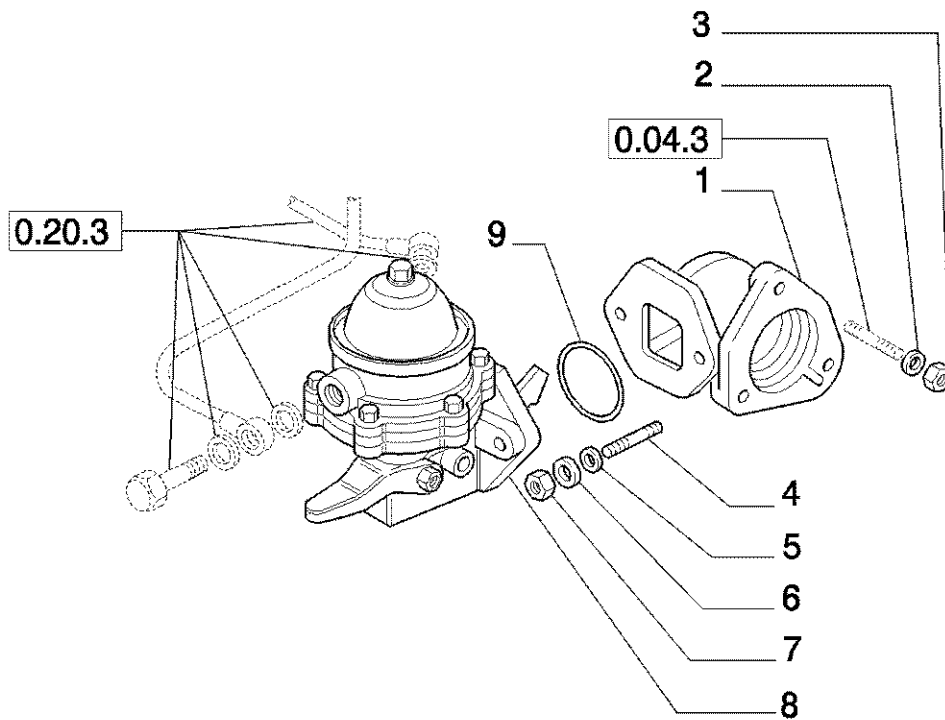
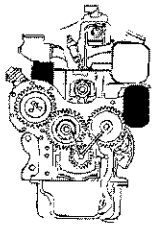
0.20.0 BRANDSTOFFFILTER



0.20.0 BRANDSTOFFILTER

Ref	Onderdeelnummer	Kwt	Beschrijving
1	15970724	2	BOUT, Hex, M10 x 1.25 x 25, 8.8, Full Thd,
2	12626001	2	SLUITRING, M10 x 22 x 3,
3	504047457	1	STEUNBEUGEL,
4	7984634	2	SCHROEF,
5	98439682	2	BRANDSTOFFILTER,
6	11198374	3	WASHER, SPRING, Belleville, M10.5,
8	47135708	1	BRANDSTOFFILTER,
9	5180490	1	FLEXIBELE SLANG,
7	15970624	3	BOUT, Hex, M10 x 1.25 x 22, 8.8, Full Thd,

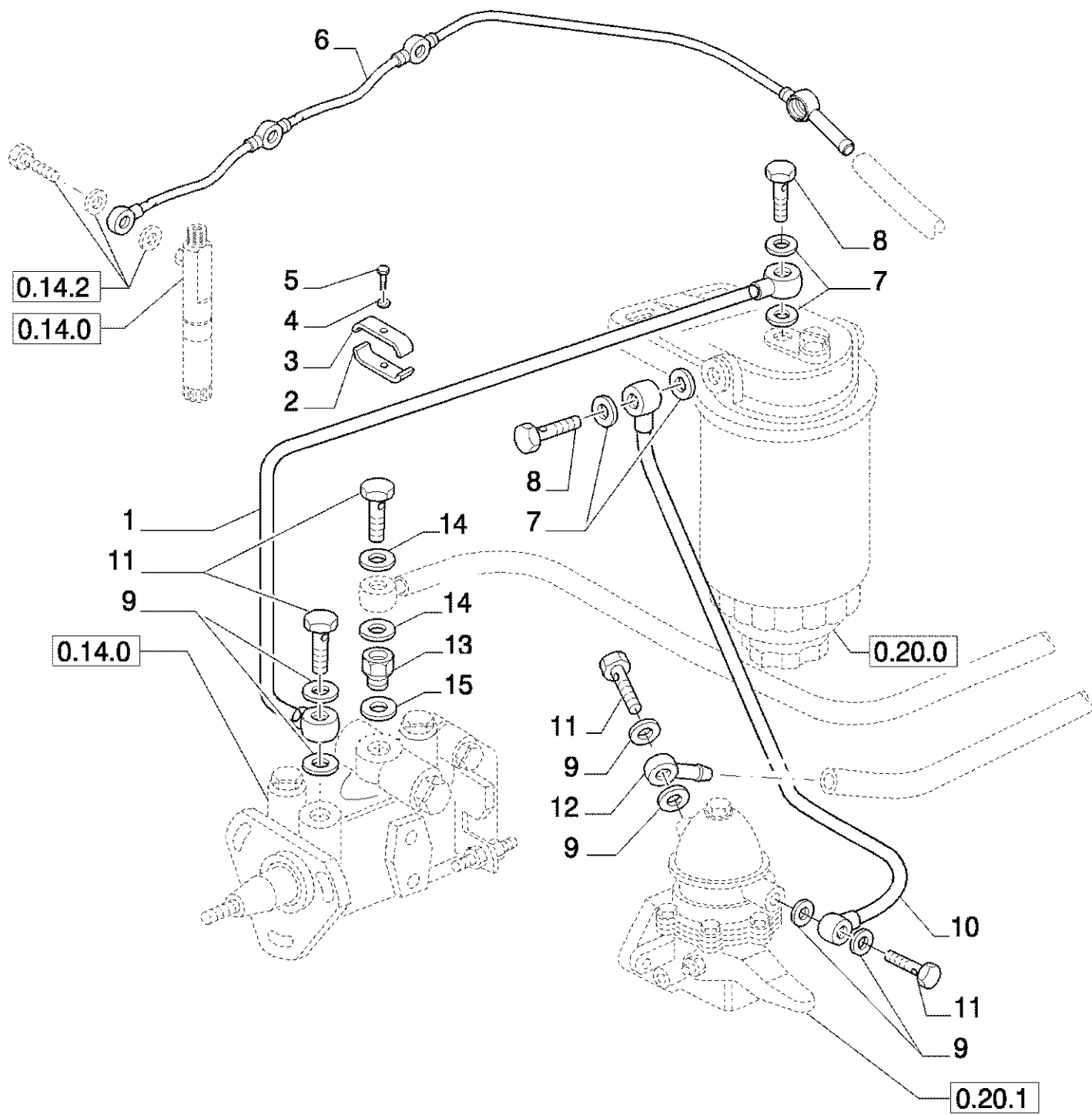
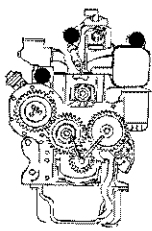
0.20.1 BRANDSTOFFPOMP



0.20.1 BRANDSTOFFPOMP

Ref	Onderdeelnummer	Kwt	Beschrijving
1	98467028	1	STEUN,
2	14496621	3	SLUITRING, M10 x 21 x 2,
3	15500121	3	MOER, M10 x 1,25
4	13516920	2	TAPEIND, M8 x 22
5	10519624	2	SLUITRING, M8 x 17 x 2,
6	17798274	2	SLUITRING, 8.2x14.9
7	43362	2	MOER, M8, CI 10,
8	4757882	1	BRANDSTOFFPOMP,
9	4847092	1	DICHTINGSSTUK,

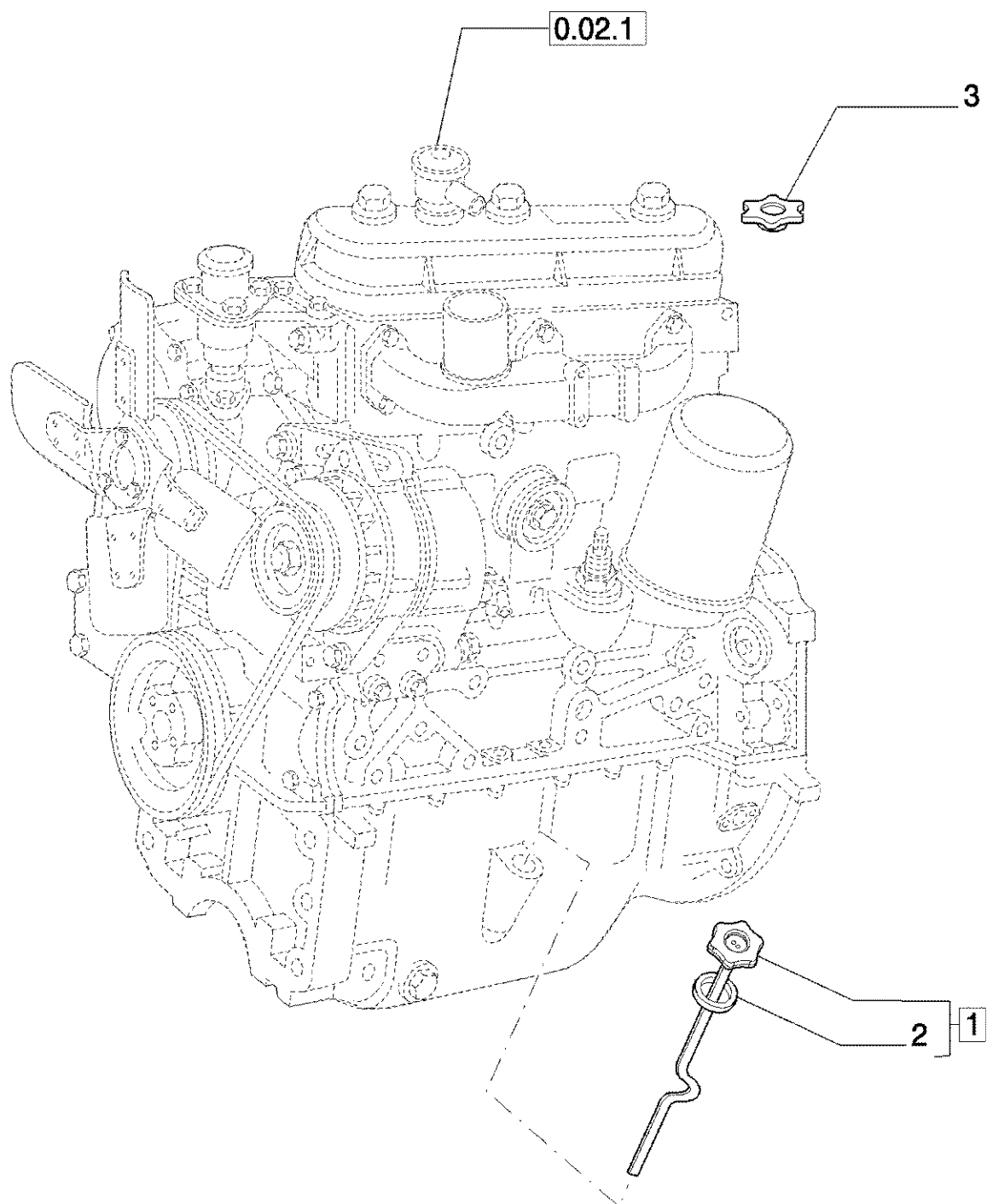
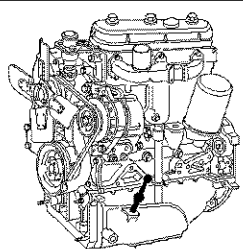
0.20.3 BRANDSTOFLEIDINGEN



0.20.3 BRANDSTOFLEIDINGEN

Ref	Onderdeelnummer	Kwt	Beschrijving
1	504047458	1	BUISJE,
2	4002890	1	KLEM,
3	607942	1	KLEM,
4	11197774	1	WASHER, SPRING, Belleville, M6.4,
6	500319350	1	INSPUITLEIDING,
7	98474308	4	DICHTRING,
8	4864083	2	VERBINDINGSBOUT, M14X1.5X30
9	98474306	6	DICHTRING, 12 x 20 x 1.9
10	504047459	1	BUISJE,
11	4864082	4	VERBINDINGSBOUT, M12 x 1.5 x 25
12	98416591	1	FITTING,
13	4802434	1	VERBINDINGSBOUT,
14	4858607	2	WASHER, COPPER, 12X17X1.5
15	99489017	1	DICHTINGSSTUK, 12
5	10902224	1	BOUT, Hex, M6 x 16, 8.8, Full Thd,

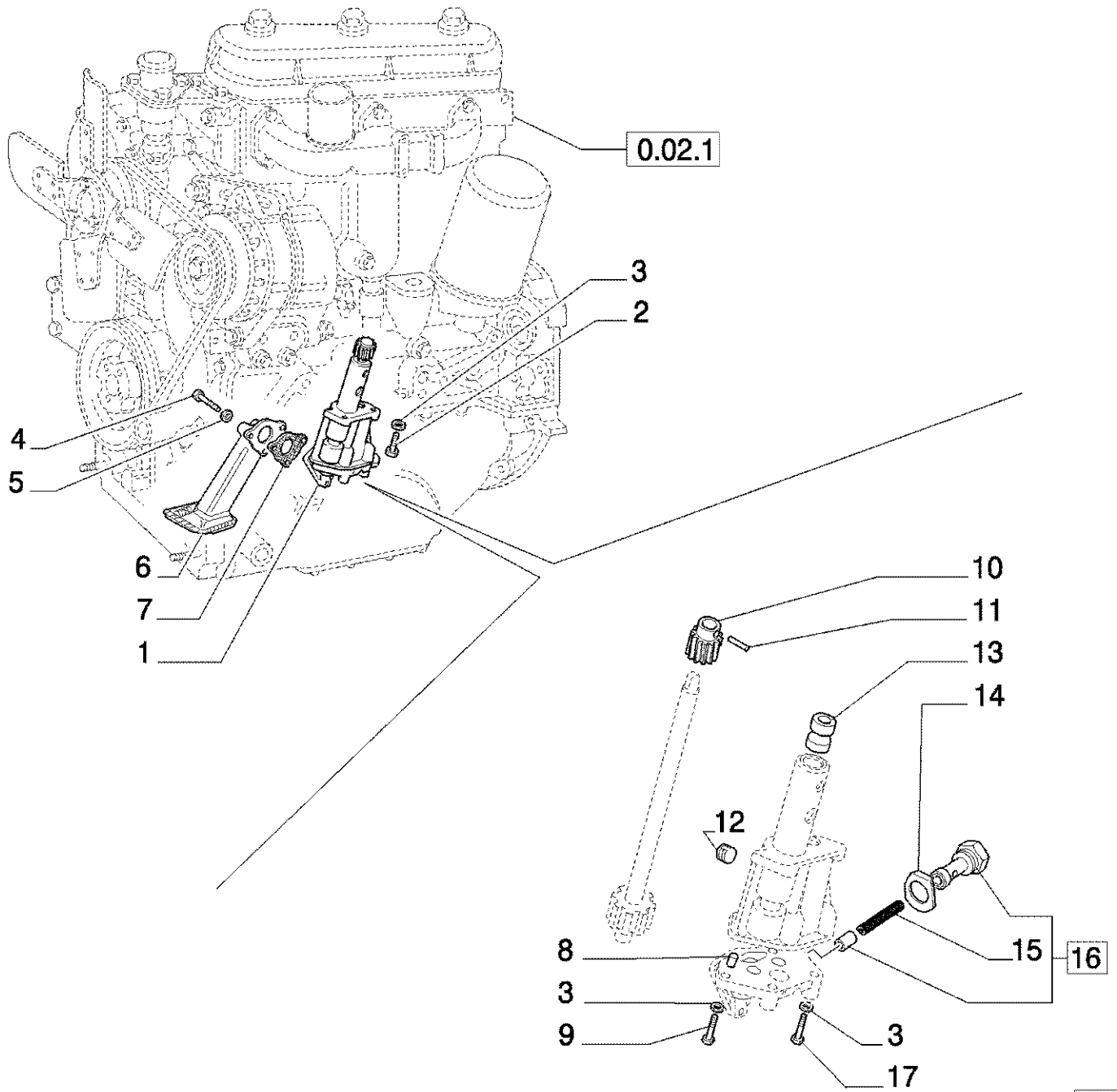
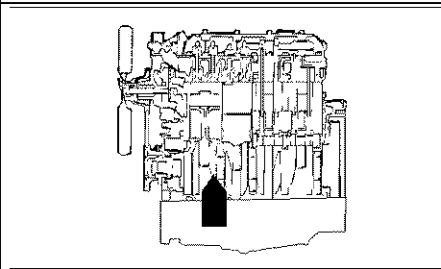
0.27.0 OLIEPIJLINDICATEUR



0.27.0 OLIEPIJLINDICATEUR

Ref	Onderdeelnummer	Kwt	Beschrijving
1	99441833	1	PEILSTANG,
2	7703051	1	DICHTINGSSTUK,
3	4232606	1	PLUG, Engine Oil Fill

0.30.0 OLIEPOMP

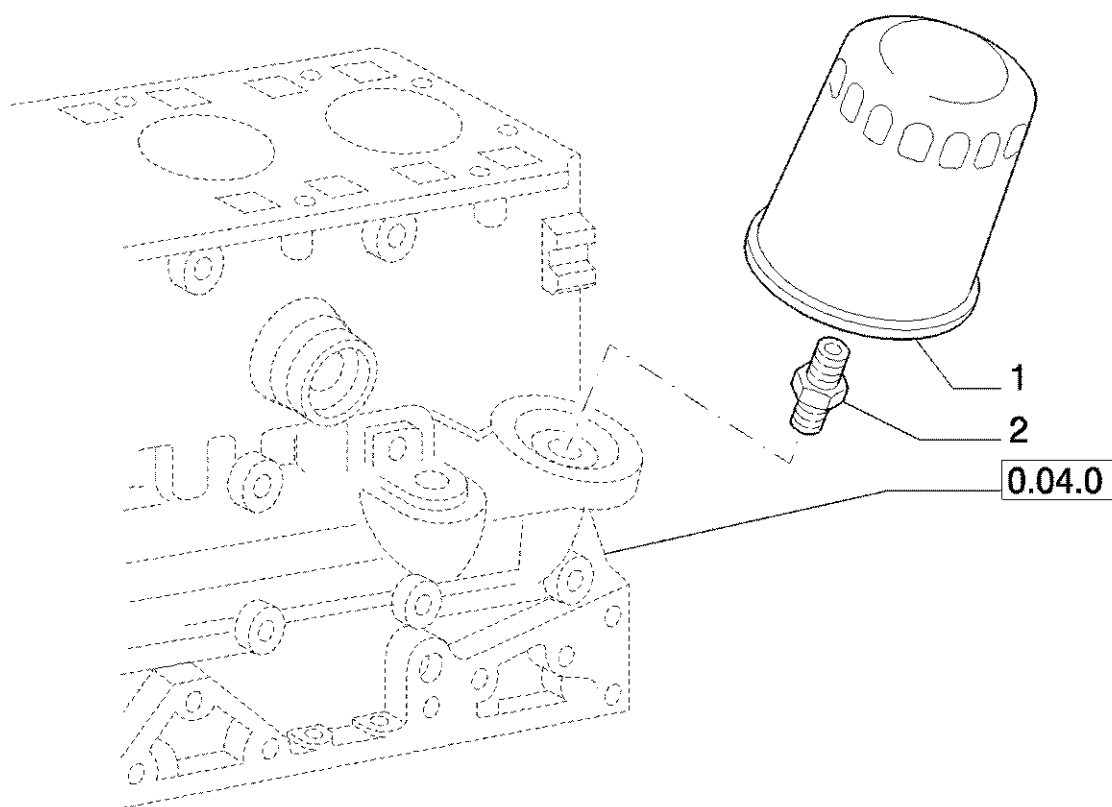
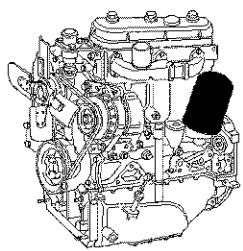


360 KOMPAKT TRACTOR (4/03-) - Motor

0.30.0 OLIEPOMP

Ref	Onderdeelnummer	Kwt	Beschrijving
1	4705827	1	OLIEPOMP,
2	16043624	2	BOUT, Hex, M8 x 25, 8.8, Full Thd,
3	11198071	6	WASHER, SPRING, Belleville, M8.4,
4	16043824	2	BOUT, Hex, M8 x 30, 8.8, Full Thd,
4	16044224	1	BOUT, Hex, M8 x 50, 8.8,
5	11193874	3	WASHER, SPRING, Belleville, M8.4, M8 x 1,25 x 30
6	4778889	1	BUISJE,
7	98400788	1	DICHTINGSSTUK, M8 x 1.25 x 25
8	10839510	1	STEL PEN,
9	16044224	2	BOUT, Hex, M8 x 50, 8.8,
10	4599726	1	AANGEDREVEN TANDWIEL,
11	4605293	1	PEN,
12	14325101	1	PLUG,
13	4673692	1	LAGERBUS,
14	4604941	1	PLAAT,
15	4587731	1	VEER,
16	4707153	1	INZETSTUK,
17	14306624	2	SCHROEF, Hex Soc Hd, M8 x 35, 10.9, M8 x 1,25 x 30

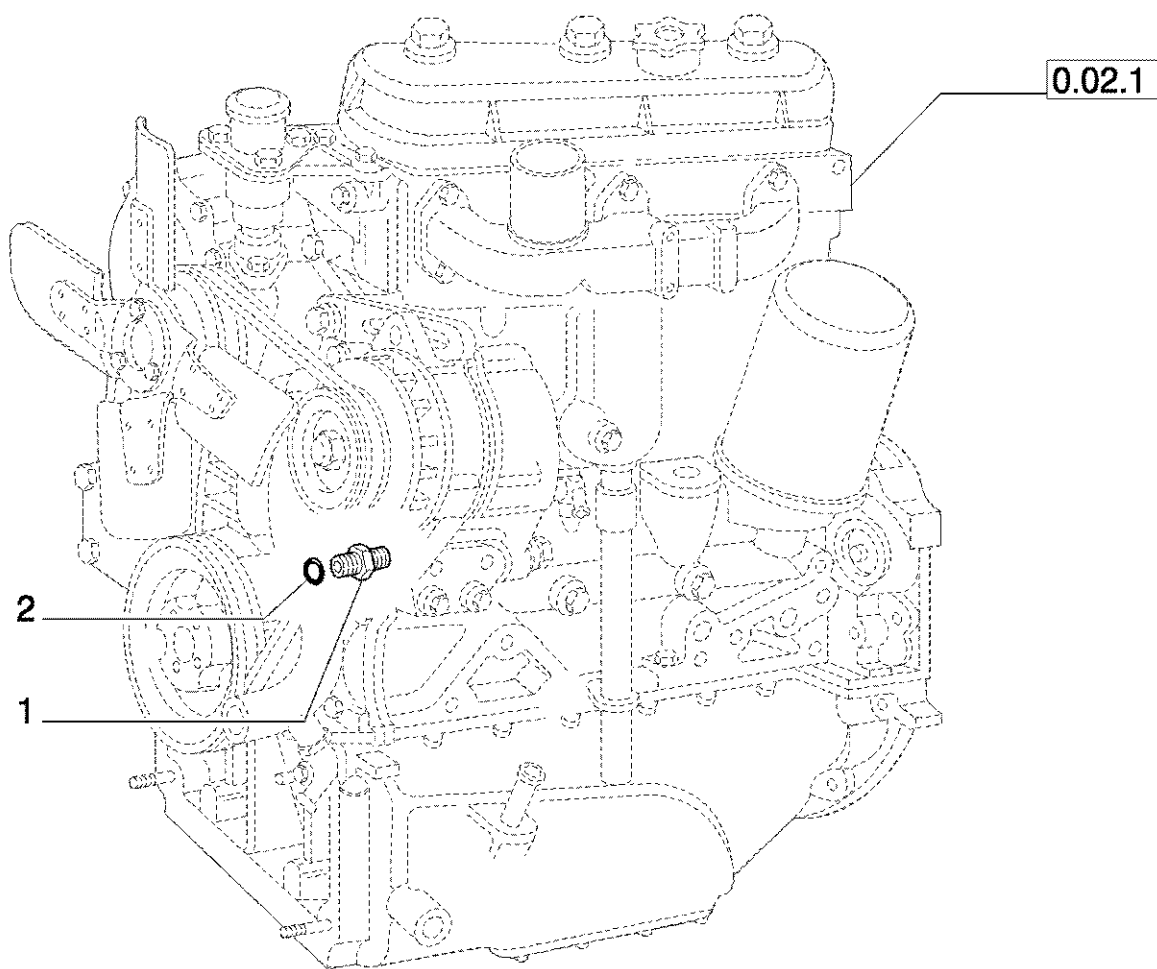
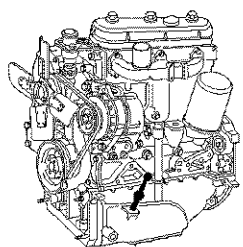
0.30.2 OLIEFILTER



0.30.2 OLIEFILTER

Ref	Onderdeelnummer	Kwt	Beschrijving
1	47135705	1	FILTER, HYDRAULISCHE OLIE,
2	4782453	1	VERBINDING,

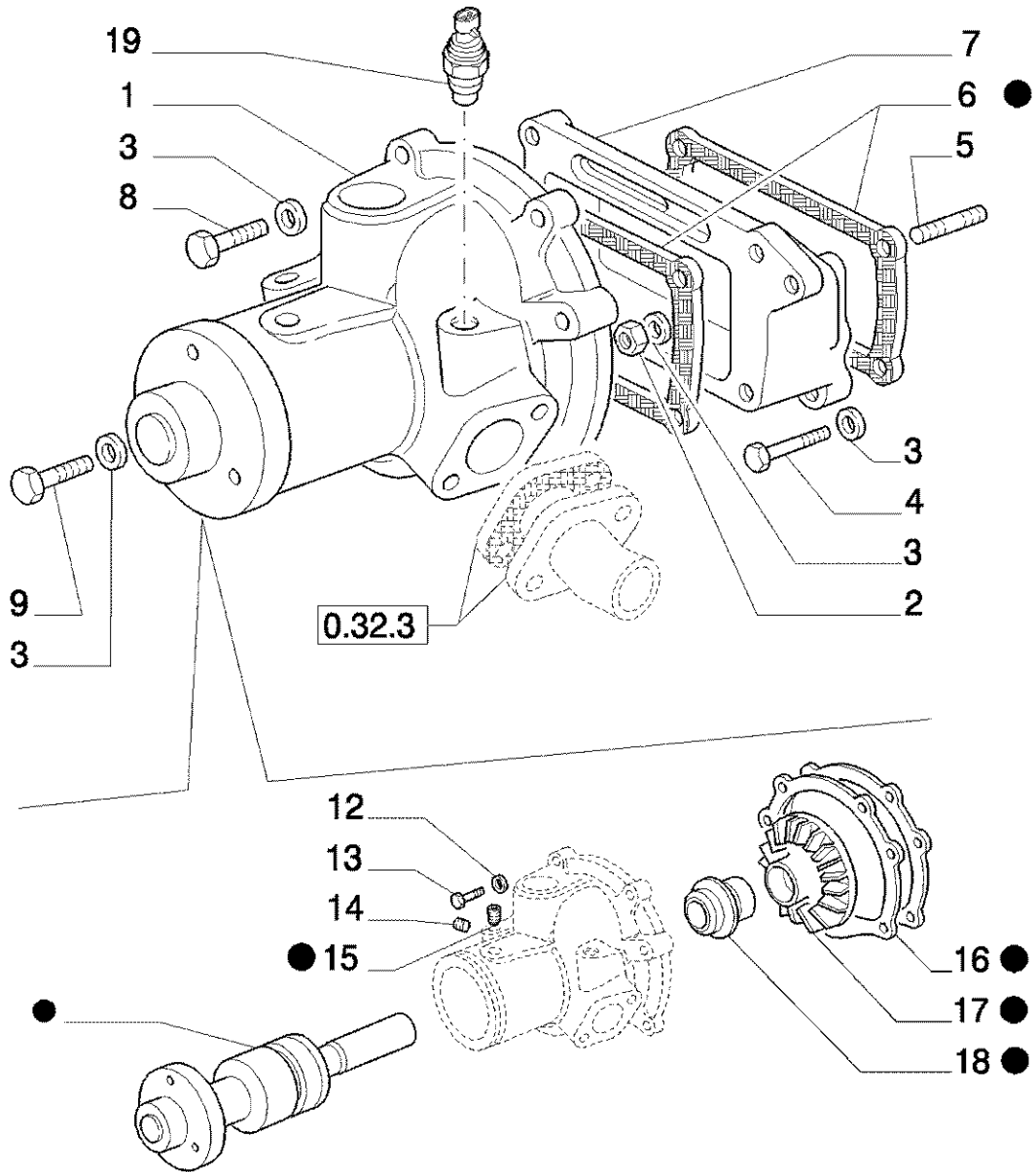
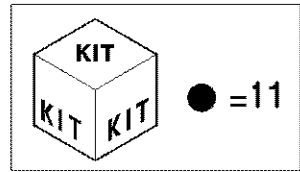
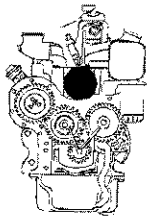
0.30.5 OLIEFILTER



0.30.5 OLIEFILTER

Ref	Onderdeelnummer	Kwt	Beschrijving
1	4785501	1	VERBINDING,
2	561293	1	O-RING,

0.32.0 WATERPOMP

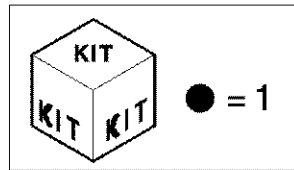
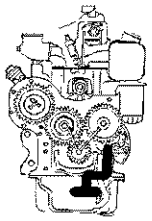


360 KOMPAKT TRACTOR (4/03-) - Motor

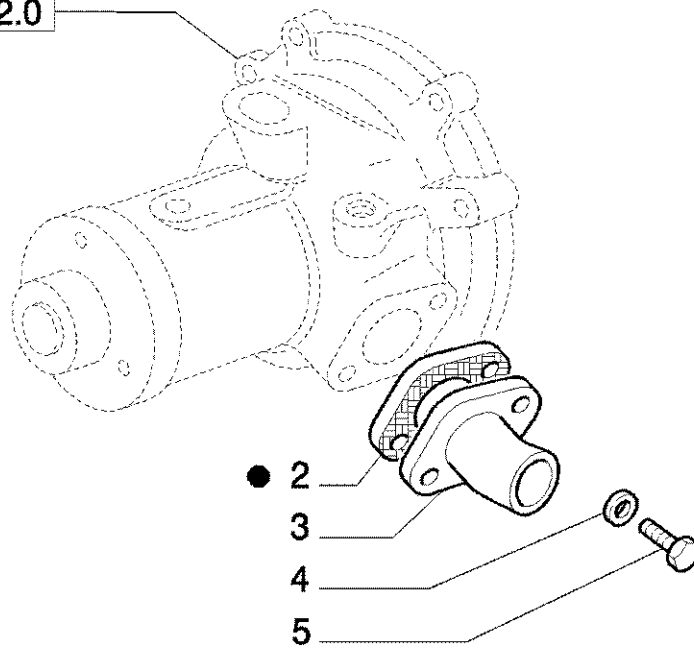
0.32.0 WATERPOMP

Ref	Onderdeelnummer	Kwt	Beschrijving
1	504065104	1	WATERPOMP,
2	12164740	1	MOER, M10 x 1.25, Brass,
3	11190574	10	WASHER, SPRING, Belleville, M10.5,
4	11234724	5	BOUT, Hex, M10 x 1.25 x 45, 8.8,
5	13449920	1	TAPEIND, M10 x 1,25 x 15 x 40
6	98400776	2	DICHTINGSSTUK,
7	4840211	1	STEUN,
8	15888724	3	BOUT, Hex, M10 x 1.25 x 55, 8.8,
9	16288624	1	SCHROEF, M10 x 1.25 x 35
11	1940144	1	WATERPOMP HERSTELLINGSKI,
12	11193874	2	WASHER, SPRING, Belleville, M8.4,
13	16043424	2	BOUT, Hex, M8 x 20, 8.8, Full Thd,
14	16997411	2	PLUG, M16 x 1.5
15	13739811	1	KRACHTBRON, Hex Soc, M8 x 16, Cone Pt,
16	98400794	1	DICHTINGSSTUK,
17	4813442	1	SCHOEPWIEL,
18	7302756	1	DICHTINGSSTUK,
19	504062682	1	ZENDER, Coolant
20	4655011	1	AS,

0.32.3 WATERLEIDINGEN



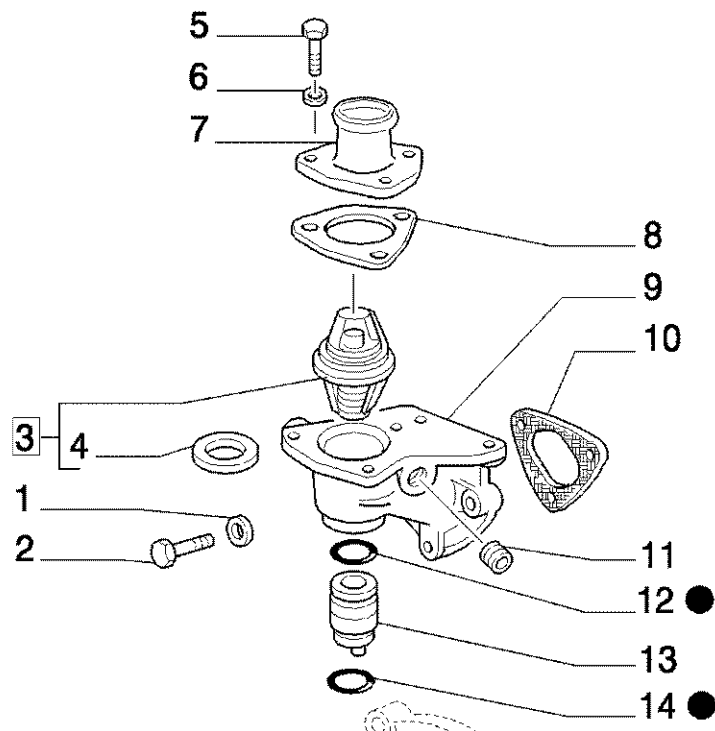
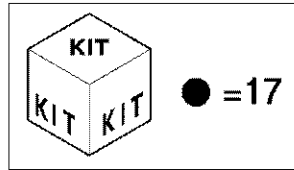
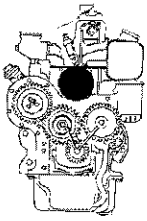
0.32.0



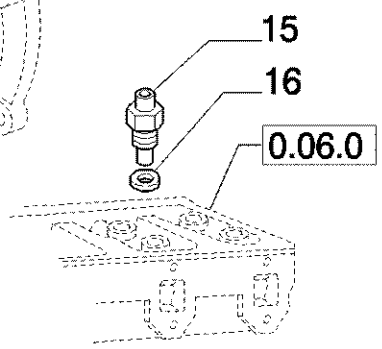
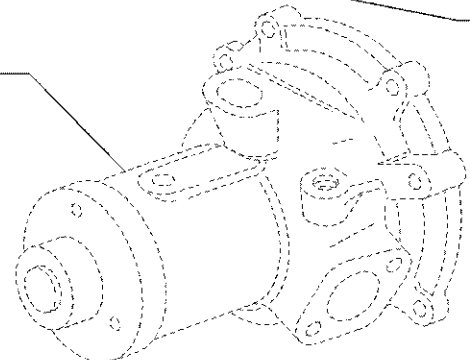
0.32.3 WATERLEIDINGEN

Ref	Onderdeelnummer	Kwt	Beschrijving
1	1940144	1	WATERPOMP HERSTELLINGSKI,
2	98418621	1	DICHTINGSSTUK,
3	4697838	1	BUISJE,
4	13550304	2	SLUITRING,
5	98401723	2	SCHROEF, M10 x 1.25 x 15 x 40

0.32.6 TEMPERATUURREGELAAR



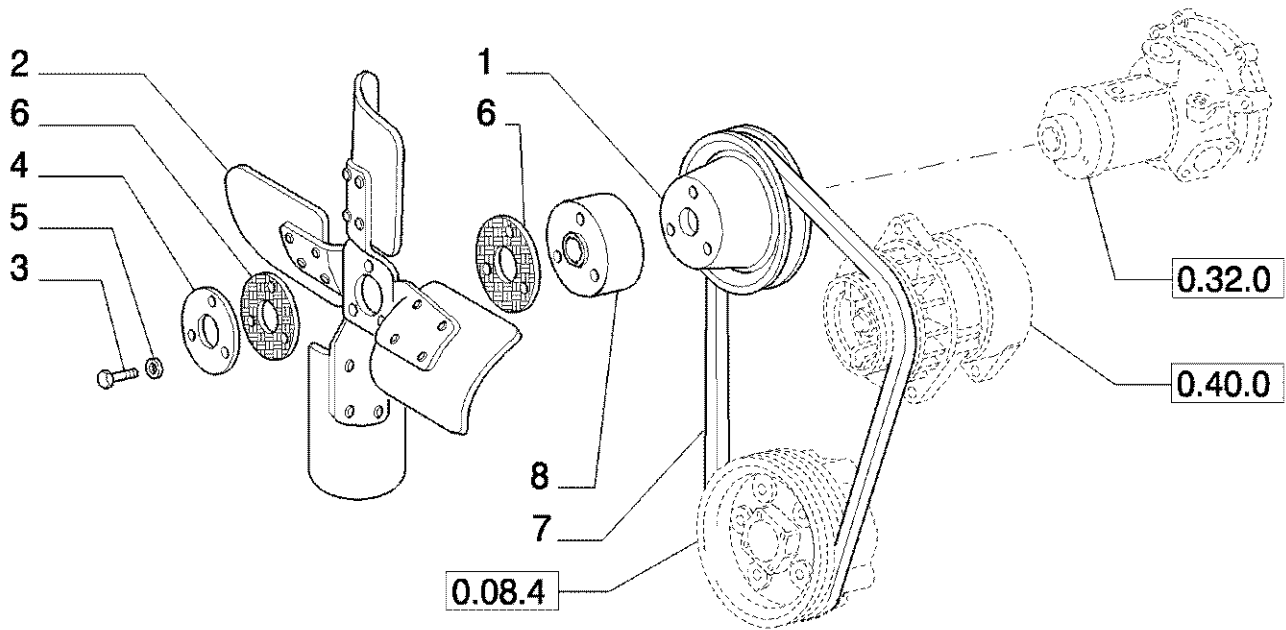
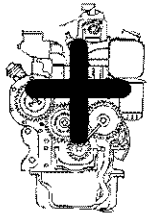
0.32.0



0.32.6 TEMPERATUURREGELAAR

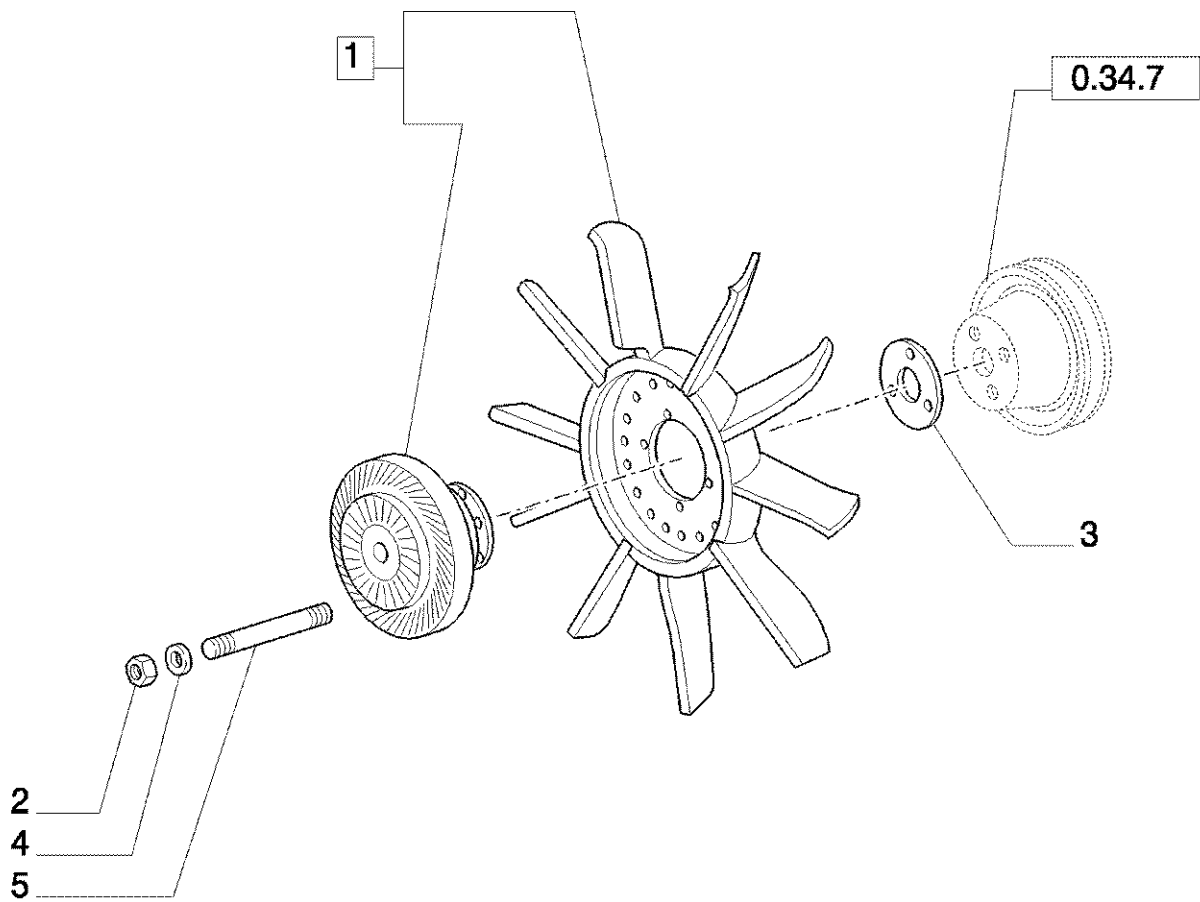
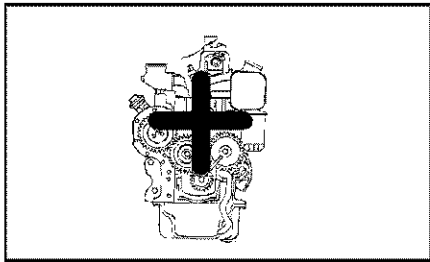
Ref	Onderdeelnummer	Kwt	Beschrijving
1	11190574	3	WASHER, SPRING, Belleville, M10.5,
2	11234724	2	BOUT, Hex, M10 x 1.25 x 45, 8.8,
2	15970724	1	BOUT, Hex, M10 x 1.25 x 25, 8.8, Full Thd,
3	98463637	1	THERMOSTAAT,
4	7303173	1	DICHTINGSSTUK,
5	16043624	3	BOUT, Hex, M8 x 25, 8.8, Full Thd,
6	11194079	3	WASHER, SPRING, Belleville, M8.4,
7	4661543	1	DEKSEL,
8	98482590	1	DICHTINGSSTUK,
9	4823619	1	LICHAAM,
10	98400784	1	DICHTINGSSTUK,
11	500378047	1	PLUG,
12	14463281	1	O-RING, -214, CI 7, .984" ID x .139" Thk,
13	98415712	1	VERBINDING,
14	5135740	1	O-RING, -119, CI 9, .924" ID x .103" Thk,
15	4171667	1	ZENDER, Coolant
16	4858609	1	O-RING,
17	1940144	1	WATERPOMP HERSTELLINGSKI,

0.34.7 VENTILATOR



0.34.7 VENTILATOR

Ref	Onderdeelnummer	Kwt	Beschrijving
1	4802417	1	AANGEDREVEN RIEMSCHIJF,
2	500316122	1	VENTILATOR,
3	16044321	3	BOUT, Hex, M8 x 55, 8.8,
4	4584861	1	SLUITRING,
5	11193874	3	WASHER, SPRING, Belleville, M8.4, 8X16
6	574526	2	SLUITRING,
7	98473705	1	RIEMEN,
8	4724705	1	AFSTANDSRING,

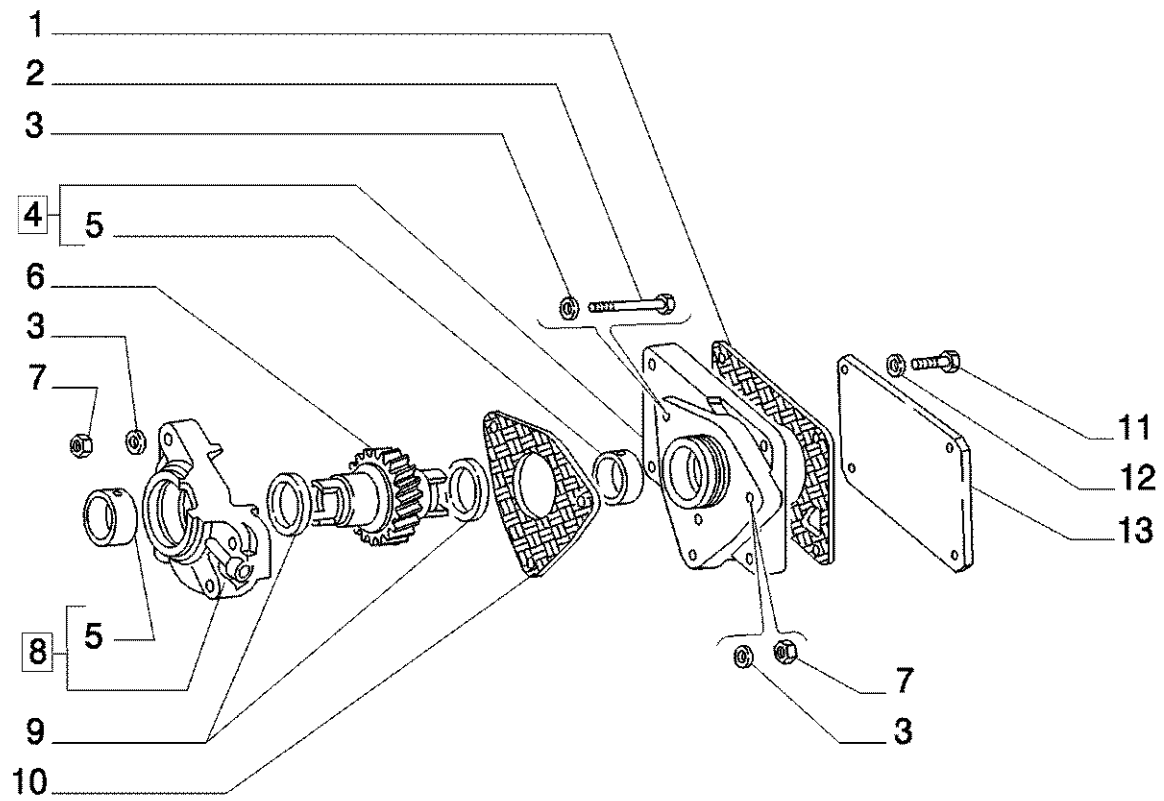
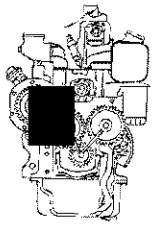


360 KOMPAKT TRACTOR (4/03-) - Motor

0.34.7/02 (VAR.174) VISCOSTATISCHE KOPPELING

Ref	Onderdeelnummer	Kwt	Beschrijving
1	47130509	1	VENTILATOR,
2	14048221	3	NUT, LOCK, M8 x 1.25, CI 10,
3	5188550	1	AFSTANDSRING,
4	10516674	3	VEERRING, D=8
5	13517124	3	TAPEIND, M8x28

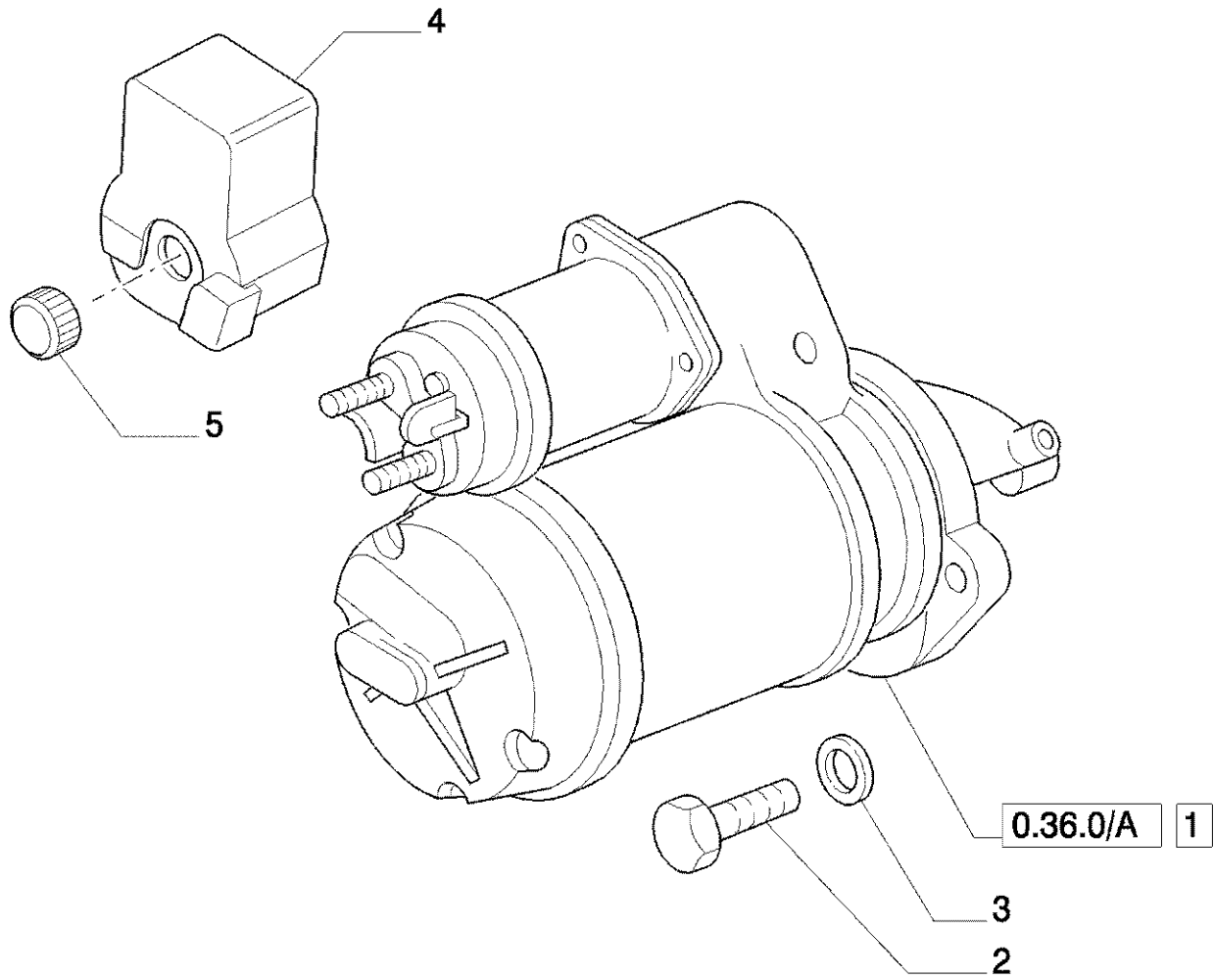
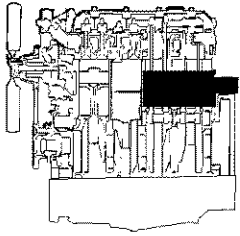
0.35.0 KASTEN EN DEKSELS VAN HET IN GANG BRENGEN



0.35.0 KASTEN EN DEKSELS VAN HET IN GANG BRENGEN

Ref	Onderdeelnummer	Kwt	Beschrijving
1	500378759	1	DICHTINGSSTUK,
2	16044524	2	BOUT, Hex, M8 x 65, 8.8,
3	11193874	6	WASHER, SPRING, Belleville, M8.4, 16X8
4	4755239	1	STEUN,
5	4788087	2	LAGERBUS,
6	98465572	1	AS,
7	43362	6	MOER, M8, CI 10,
8	4771242	1	STEUN,
9	4667452	2	SLUITRING,
10	4851004	1	DICHTINGSSTUK,
11	10902324	4	BOUT, Hex, M6 x 18, 8.8, Full Thd,
12	12035670	4	VEERRING, 6
13	564530	1	DEKSEL,

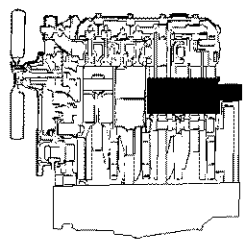
0.36.0 STARTER



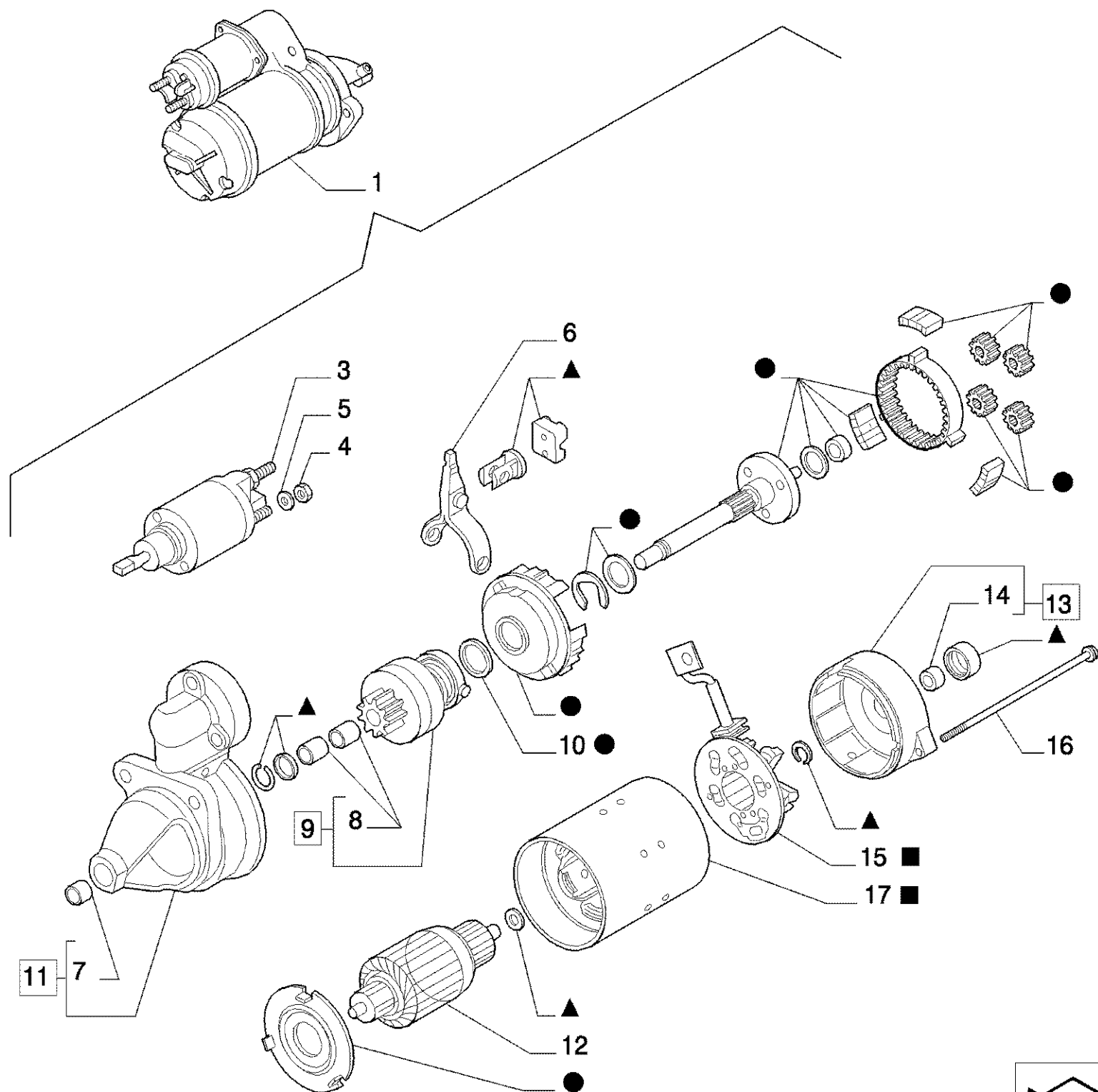
360 KOMPAKT TRACTOR (4/03-) - Motor

0.36.0 STARTER

Ref	Onderdeelnummer	Kwt	Beschrijving
1	500338953	1	STARTMOTOR,
2	11306924	3	BOUT, Hex, M10 x 1.25 x 30, 8.8, Full Thd,
3	11190574	3	WASHER, SPRING, Belleville, M10.5,
4	5189052	1	AFSCHERMING,
5	5171012	1	MOER,



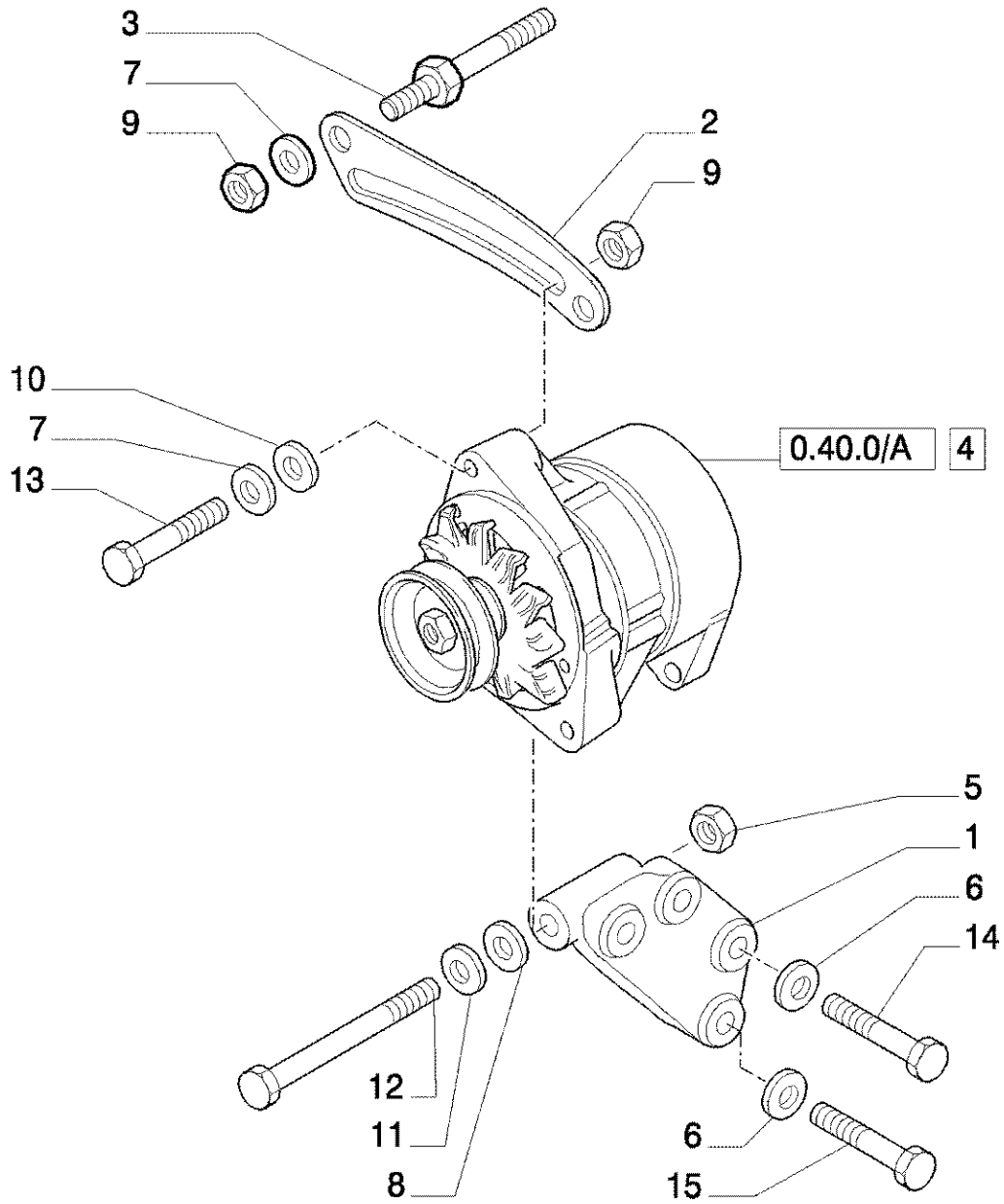
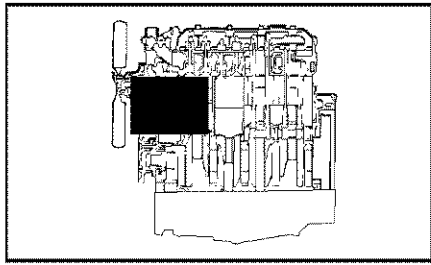
KIT ● = 19
KIT ▲ = 2
KIT ■ = 18



360 KOMPAKT TRACTOR (4/03-) - Motor

0.36.0/ A STARTER - ONDERDELEN

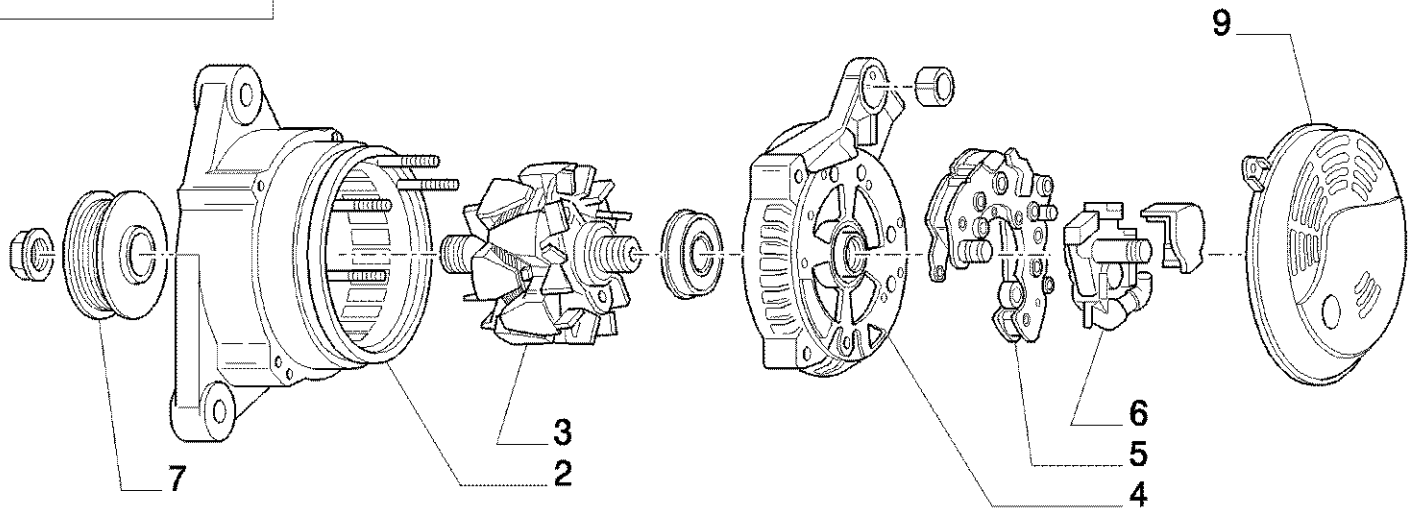
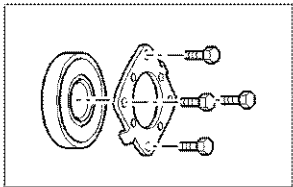
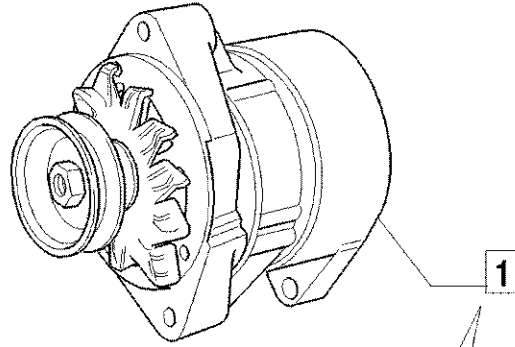
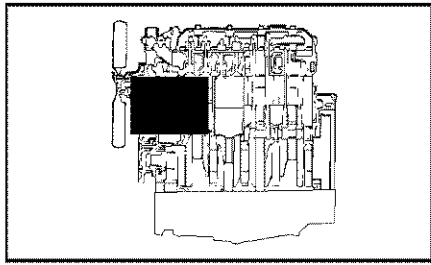
Ref	Onderdeelnummer	Kwt	Beschrijving
4	9972036	1	KIT,
5	9972035	1	KIT,
6	9971804	1	SOLENOIDE,
7	12164721	1	MOER, M10 x 1.25, CI 10,
8	9971894	1	SLUITRING,
9	9971886	1	VORK,
10	9972030	1	LAGERBUS,
11	79033670	2	LAGERBUS,
12	9972026	1	AANDRIJFEENHEID,
13	9972037	1	LAGERBUS,
14	9972027	1	STEUN,
15	9972025	1	DRAAIWIEK,
16	9972034	1	DEKSEL,
17	9971891	1	LAGERBUS,
18	9978019	1	STEUN,
19	9972031	2	SCHROEF,
20	9972032	1	STATOR, ALTERNATOR,
21	9972038	1	KIT,



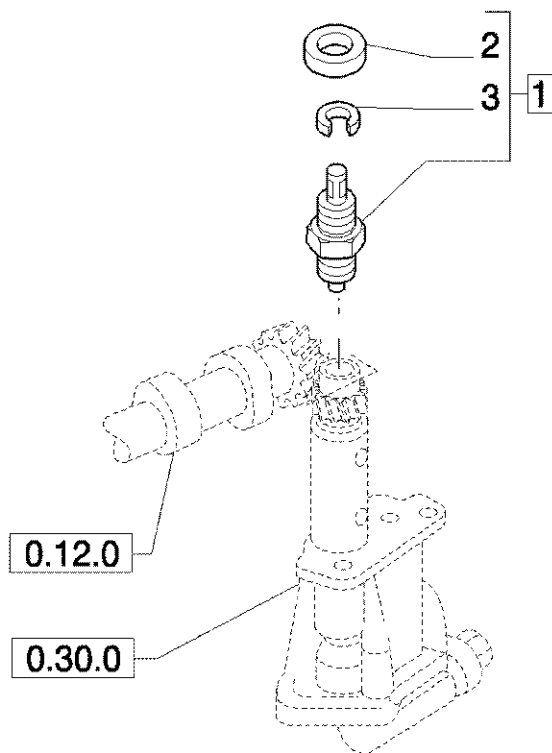
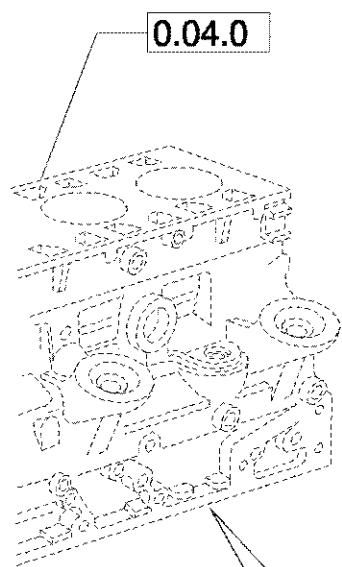
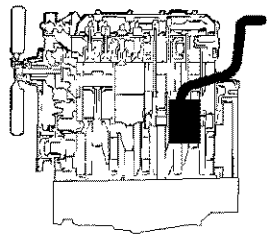
360 KOMPAKT TRACTOR (4/03-) - Motor

0.40.0 WISSELSTROOMDYNAMO (65A-85A)

Ref	Onderdeelnummer	Kwt	Beschrijving
1	99443382	1	STEUN,
2	4787485	1	RIEMSPANNER,
3	99446968	1	SCHROEF,
4	47134023	1	ALTERNATOR, 65A
4	47134024	1	ALTERNATOR, 85A
6	13550304	4	SLUITRING, D=8,4x16
7	11190574	2	WASHER, SPRING, Belleville, M10.5,
8	11198673	1	VEERING, M12
9	12164721	2	MOER, M10 x 1.25, CI 10,
10	12646824	1	SLUITRING, M10 x 25 x 2,
11	12646924	1	SLUITRING, M12 x 28 x 3,
12	15542021	1	BOUT, Hex, M12 x 1.25 x 140, 8.8,
13	16204524	1	BOUT, Hex, M10 x 35,
14	16044321	2	BOUT, Hex, M8 x 55, 8.8,
15	16044124	1	BOUT, Hex, M8 x 45, 8.8,
5	16101524	1	MOER, M12 x 1.25, CI 10,



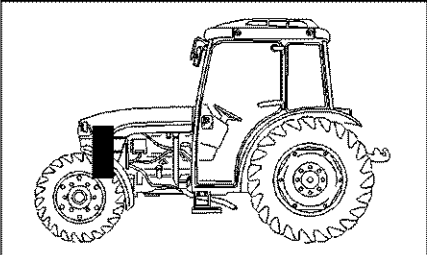
Ref	Onderdeelnummer	Kwt	Beschrijving
1	47134024	1	ALTERNATOR, 85A
2	9971839	1	STEUN,
3	9971840	1	DRAAIWIEK,
4	9971841	1	STEUN,
5	9971842	1	GELIJKRICHTER,
6	9971843	1	REGELAAR,
7	87326363	1	KIT,
8	9971845	1	KIT, Pulley
9	9971857	1	KOMBEKLEDING,



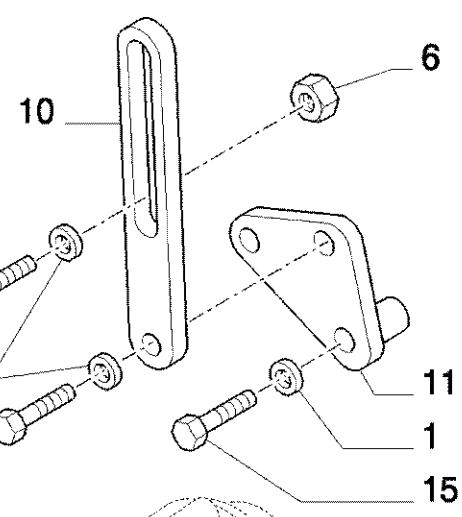
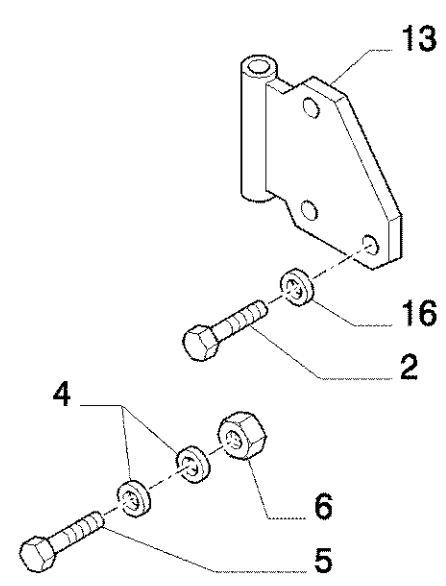
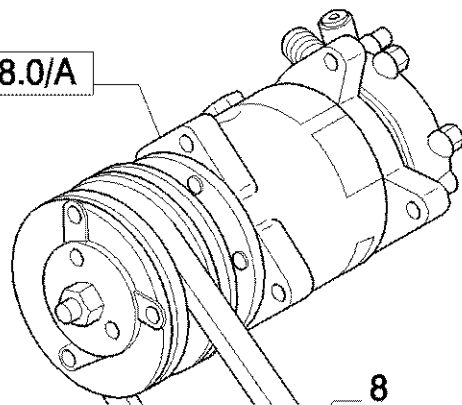
360 KOMPAKT TRACTOR (4/03-) - Motor

0.42.0 KRONOGYROMETERBESTURING

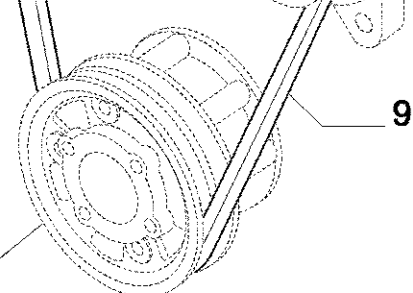
Ref	Onderdeelnummer	Kwt	Beschrijving
1	500303538	1	VERLOOPSTUK, Assy
2	13397476	1	RING, SNAP, M10.8, Int,
3	40102813	1	DICHTINGSSTUK, M6 x 15 x 4



3 0.88.0/A



0.08.4



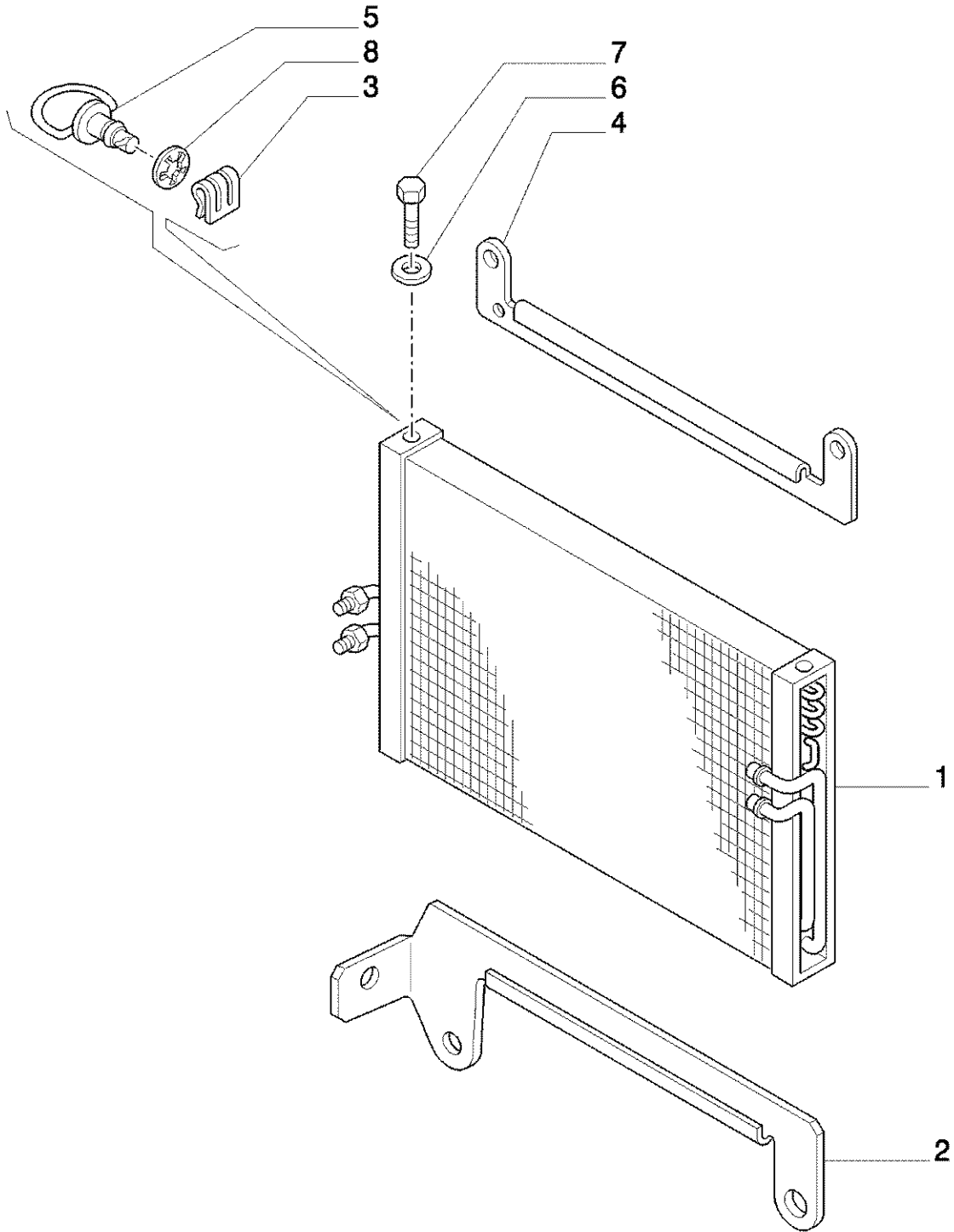
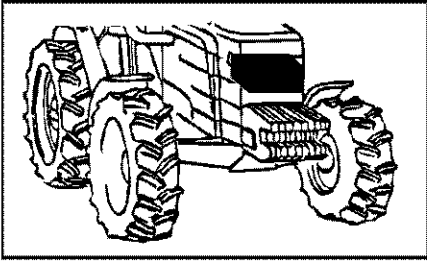
0.40.0



360 KOMPAKT TRACTOR (4/03-) - Motor

0.88.0(01) (VAR.577-608) GROEP AIR-CONDITIONING - COMPRESSOR

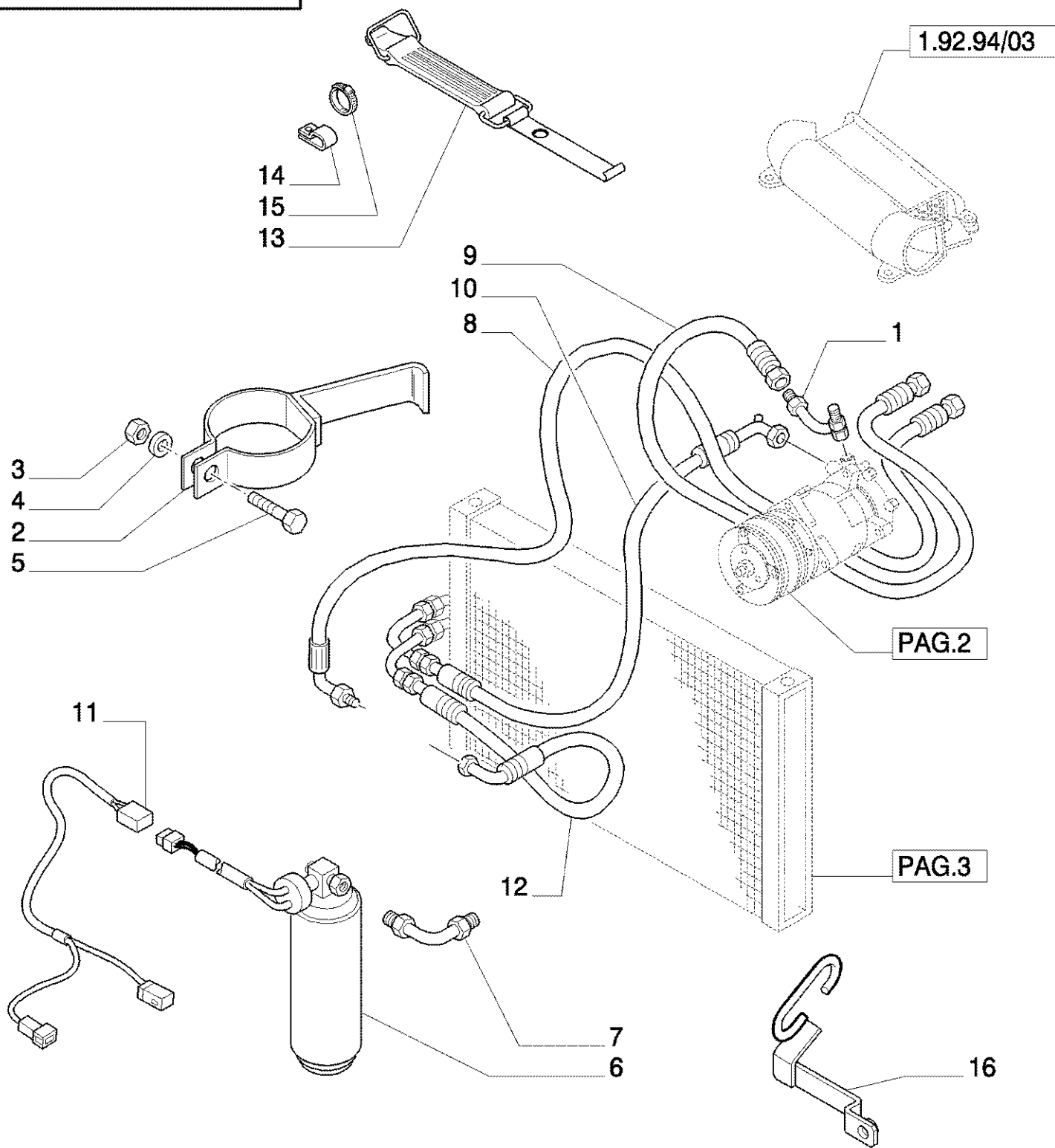
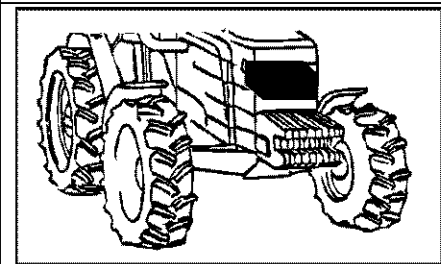
Ref	Onderdeelnummer	Kwt	Beschrijving
1	11193874	2	WASHER, SPRING, Belleville, M8.4, 8x16
3	5176185	1	LUCHTCOMPRESSOR,
4	11198374	7	WASHER, SPRING, Belleville, M10.5, 10x20
5	15972121	1	BOU, Hex, M10 x 1.25 x 115, 8.8,
6	12164714	2	MOER, M10 x 1.25, CI 8, M10
7	5176523	1	RIEMSCHIJF, WATER PUMP
8	5154152	1	RIEMEN, L=875
9	4796328	1	RIEMENSET, L=1150
9	47137503	1	KIT, L=1175
10	5177011	1	STEUNBEUGEL,
11	5177005	1	STEUNBEUGEL,
12	15970724	1	BOU, Hex, M10 x 1.25 x 25, 8.8, Full Thd,
13	5177002	1	STEUN,
14	16204524	1	BOU, Hex, M10 x 35,
15	16044821	2	BOU, Hex, M8 x 80, 8.8,
16	12646824	1	SLUITRING, M10 x 25 x 2,
2	15970524	3	BOU, Hex, M10 x 1.25 x 20, 8.8, Full Thd,



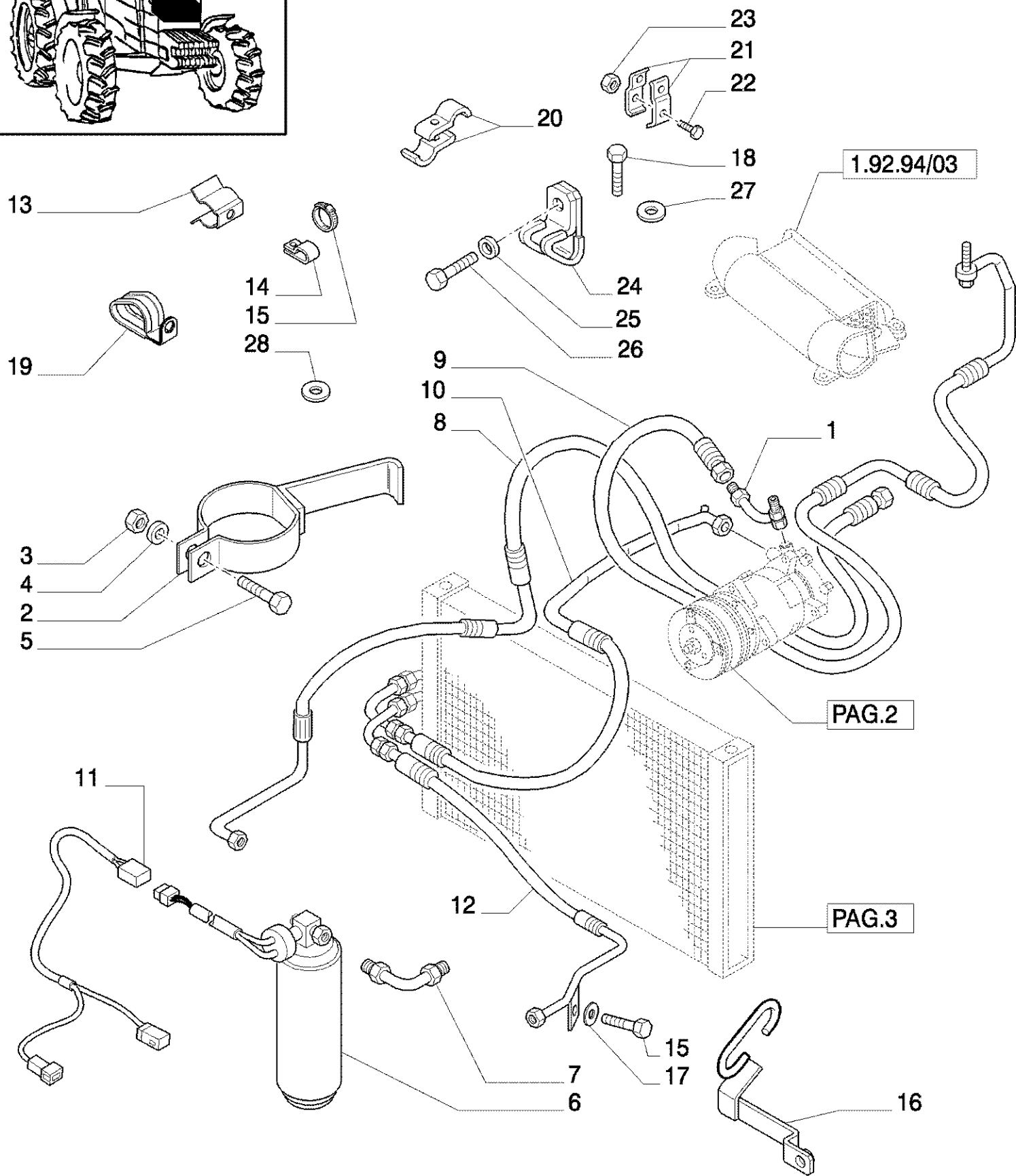
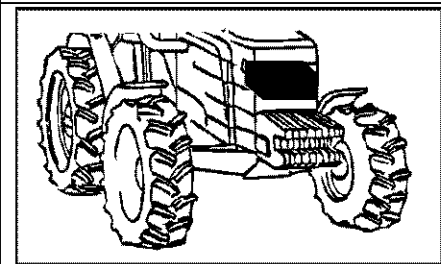
360 KOMPAKT TRACTOR (4/03-) - Motor

0.88.0(02) (VAR.577-608) GROEP AIR-CONDITIONING - CONDENSER

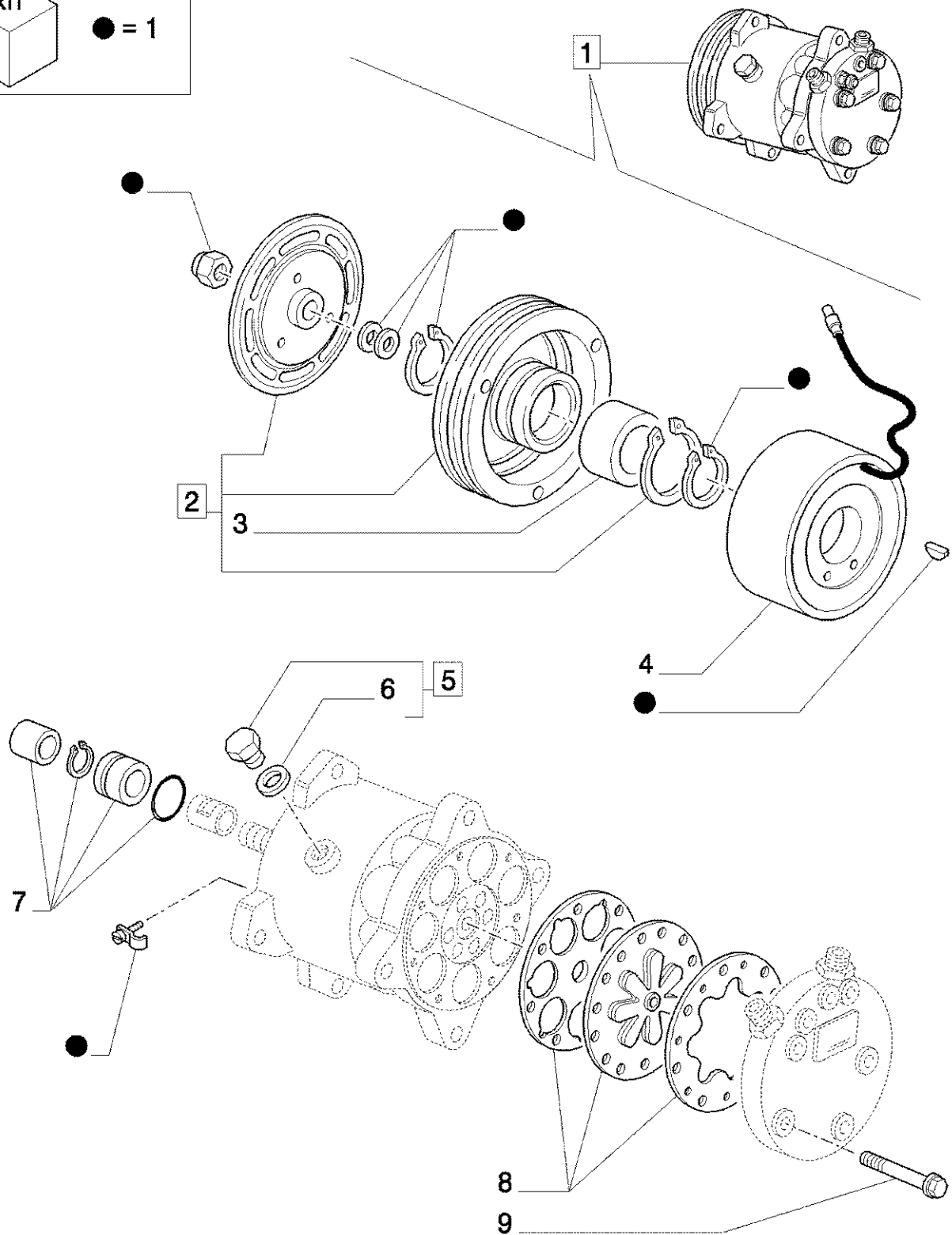
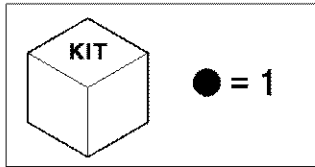
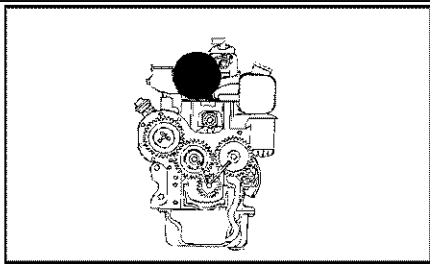
Ref	Onderdeelnummer	Kwt	Beschrijving
1	47128034	1	CONDENSATOR,
2	47128035	1	GELEIDER, UPPER
3	82004582	1	KLEM,
4	47128036	1	GELEIDER, UPPER
5	82011199	1	DRUKKNOP,
7	10902024	4	BOUT, Hex, M6 x 12, 8.8, Full Thd,
8	82004583	1	PLAAT,
6	86517328	4	VEERRING, M6,



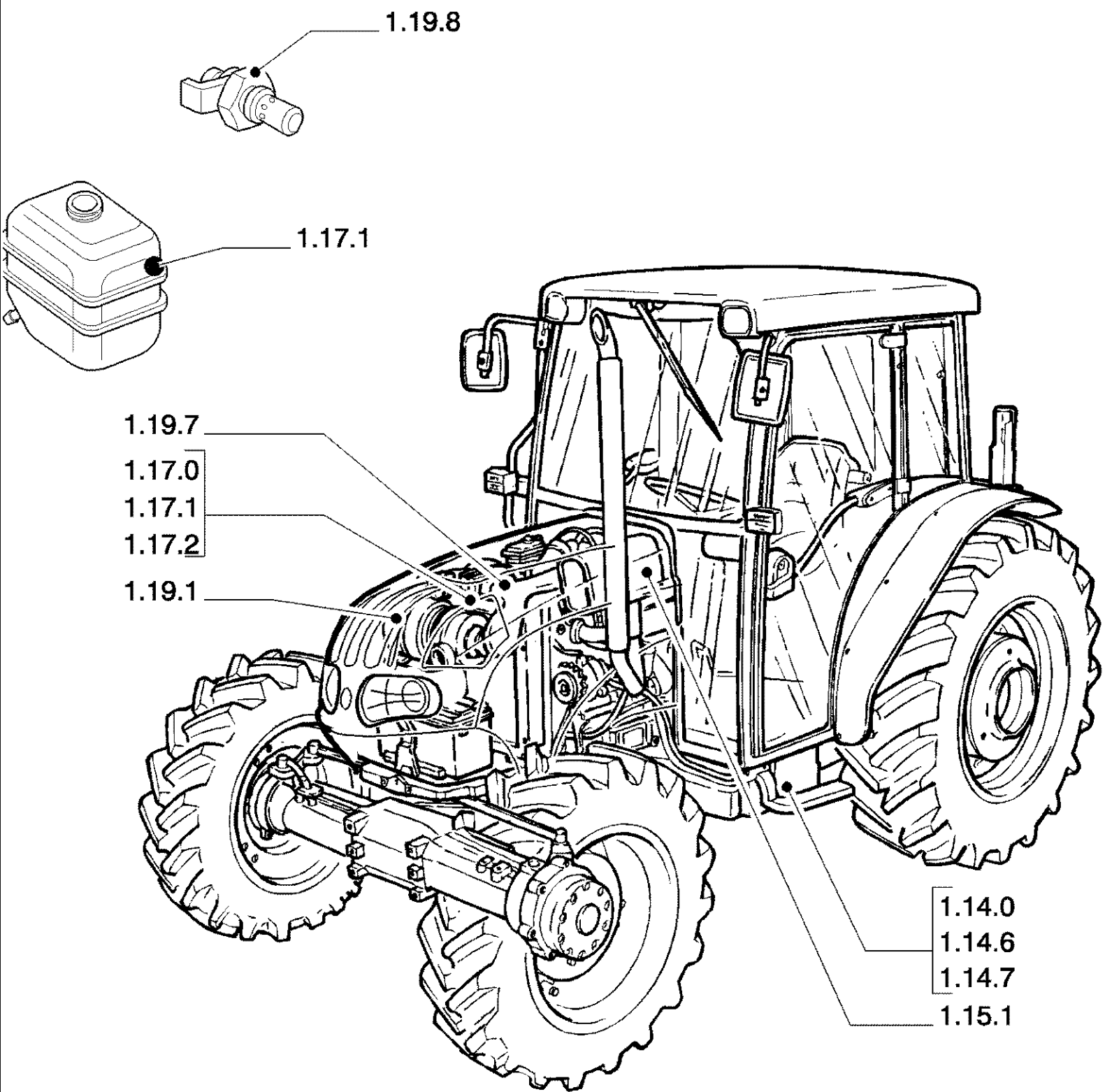
Ref	Onderdeelnummer	Kwt	Beschrijving
1	47133378	1	VERBINDING,
2	47131823	1	STEUNBEUGEL,
3	15896214	1	MOER, M6, CI 8,
4	10516474	1	VEERRING, D=6
5	10902424	1	BOUT, Hex, M6 x 20, 8.8, Full Thd,
6	5165615	1	DROGER,
7	5187830	1	ELLEBOOG,
8	47133374	1	FLEXIBELE SLANG, From conditioner to dehydrator filter
9	47133372	1	FLEXIBELE SLANG, From conditioner to compressor
10	47133377	1	FLEXIBELE SLANG, From compressor to condenser
11	5192248	1	ELECTRISCHE KABEL,
12	47133376	1	FLEXIBELE SLANG, From condenser to dehydrator filter
13	47135613	1	SPANKRAAG,
14	5158379	1	KLEM,
15	14560187	1	STRAP, CABLE, L=203.2mm
16	47135589	1	STEUNBEUGEL, VAR.007



Ref	Onderdeelnummer	Kwt	Beschrijving
1	47133378	1	VERBINDING,
2	47131823	1	STEUNBEUGEL,
3	15896214	1	MOER, M6, CI 8,
4	10516474	1	VEERRING, D=6
5	10902424	1	BOUT, Hex, M6 x 20, 8.8, Full Thd,
6	5165615	1	DROGER,
7	5187830	1	ELLEBOOG,
8	87315618	1	FLEXIBELE SLANG, From Conditioner to Dehydrator Filter
9	87315617	1	FLEXIBELE SLANG, From Conditioner to Compressor
10	87315622	1	FLEXIBELE SLANG, From Compressor to Condenser
11	5192248	1	ELECTRISCHE KABEL,
12	87315620	1	FLEXIBELE SLANG, From Condenser to Dehydrator Filter
13	87316444	1	VEER, D=12-16
13	87316446	1	VEER, D=21-25
14	5158379	1	KLEM,
15	86508616	1	BOUT, Hex, M6 x 12, 10.9, M6x12
16	47135589	1	STEUNBEUGEL, VAR.007
18	10374611	1	SCHROEF, M4x5
19	87316215	1	
20	5156374	1	STOPBEUGEL,
21	5156399	1	KLEM,
24	5185406	2	SPANKRAAG,
25	11190574	2	WASHER, SPRING, Belleville, M10.5,
26	15970724	2	BOUT, Hex, M10 x 1.25 x 25, 8.8, Full Thd,
27	12601274	1	SLUITRING, Wave, M6.4,
28	14498804	1	SLUITRING, M6 x 16.3 x 1,
17	86517328	1	VEERRING, M6, D=6
22	10902624	1	BOUT, Hex, M6 x 25, 8.8, Full Thd,
23	15896221	1	MOER, M6, CI 10,

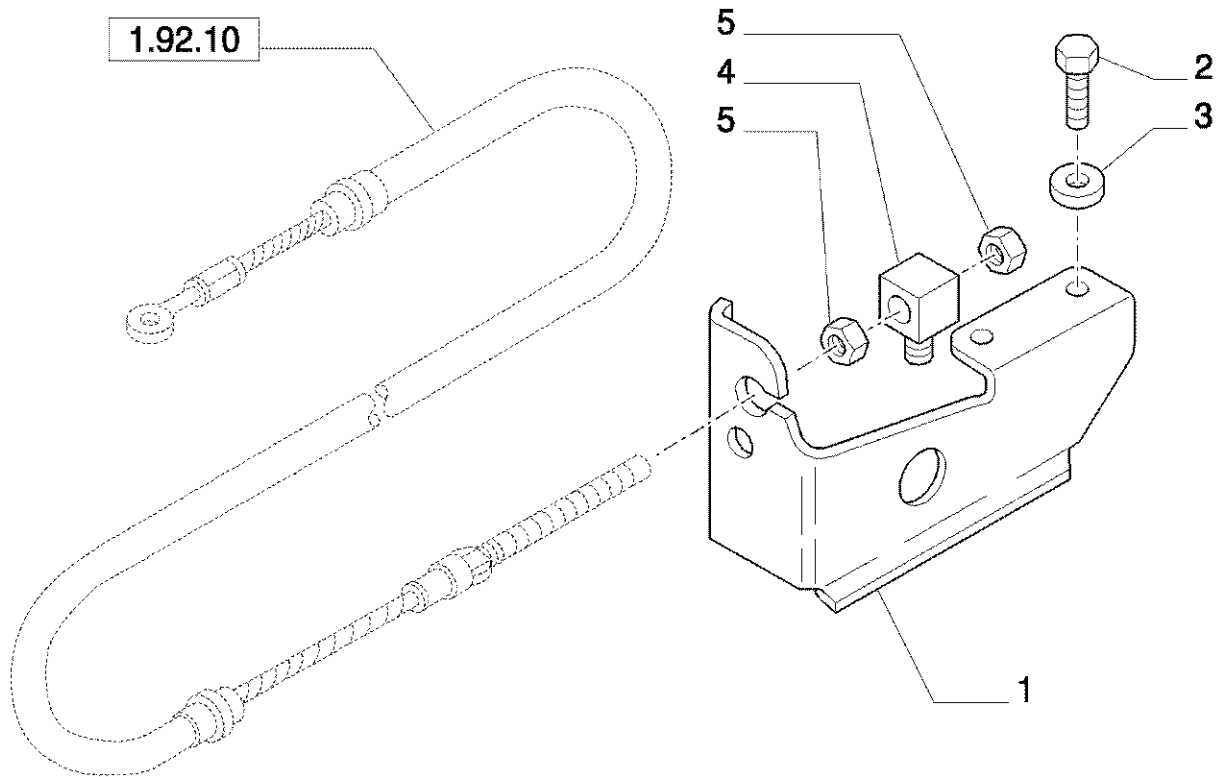
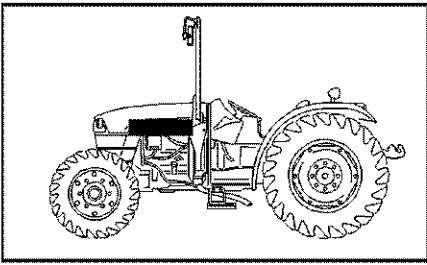


Ref	Onderdeelnummer	Kwt	Beschrijving
1	5176185	1	LUCHTCOMPRESSOR,
2	9970336	1	RIEMSCHIJF,
3	9970338	1	LAGER,
4	9970337	1	KLOS,
5	9970333	1	SCHROEF,
6	9970334	1	SLUITRING,
7	9967654	1	KIT,
8	9970332	1	KIT,
9	9970335	1	SCHROEF,
10	9970339	1	KIT,



Ref	Onderdeelnummer	Kwt	Beschrijving

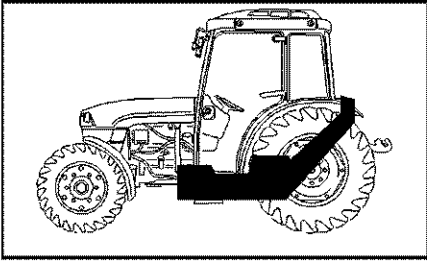
1.10.0 BESTURING GASPEDAAL



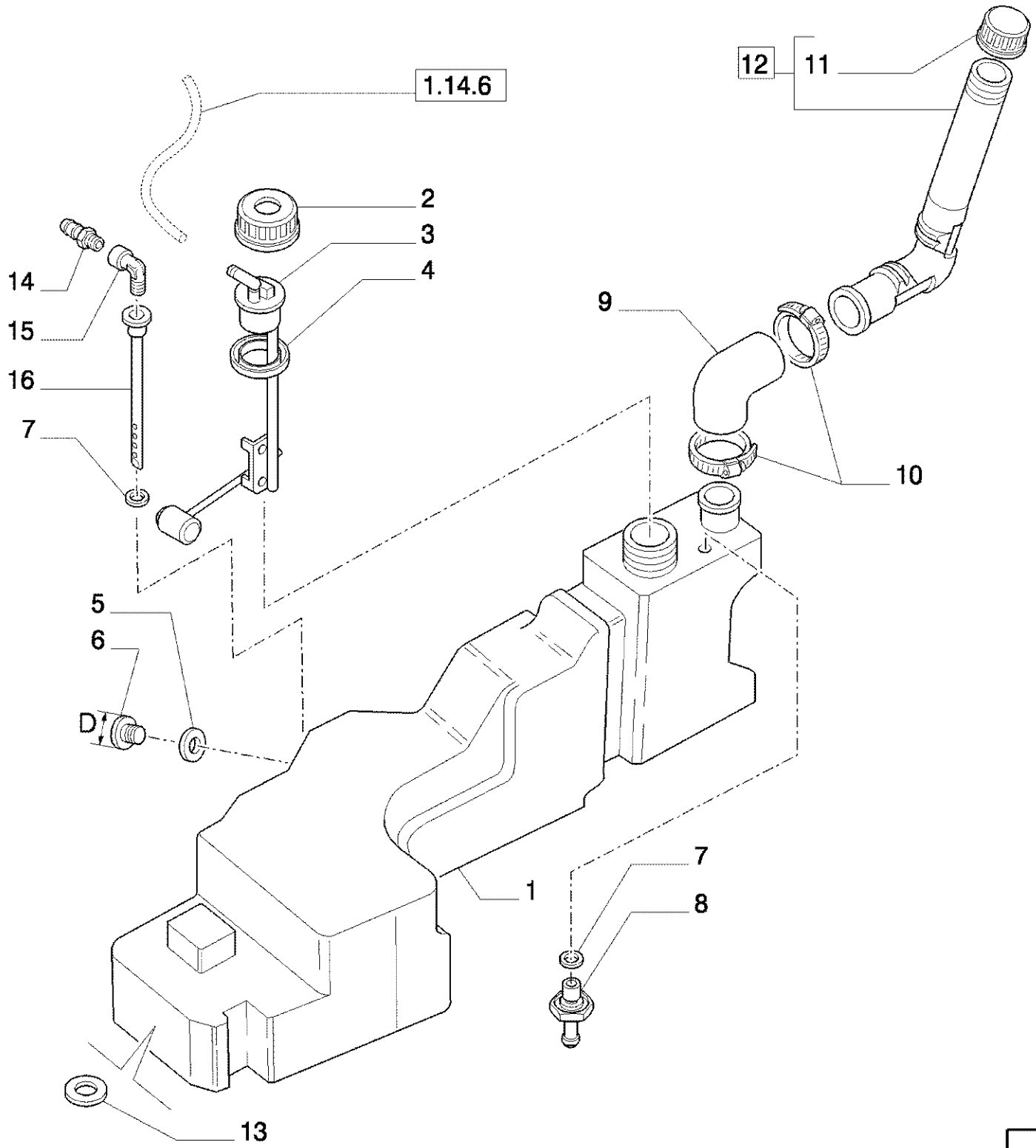
1.10.0 BESTURING GASPEDAAL

Ref	Onderdeelnummer	Kwt	Beschrijving
1	5181479	1	STEUNBEUGEL,
2	14305220	2	SCHROEF, Hex Soc Hd, M6 x 16, 8.8,
3	11197774	2	WASHER, SPRING, Belleville, M6.4,
4	5171693	1	KLEM,
5	15896221	2	MOER, M6, CI 10,

1.14.0 BRANDSTOFTANK

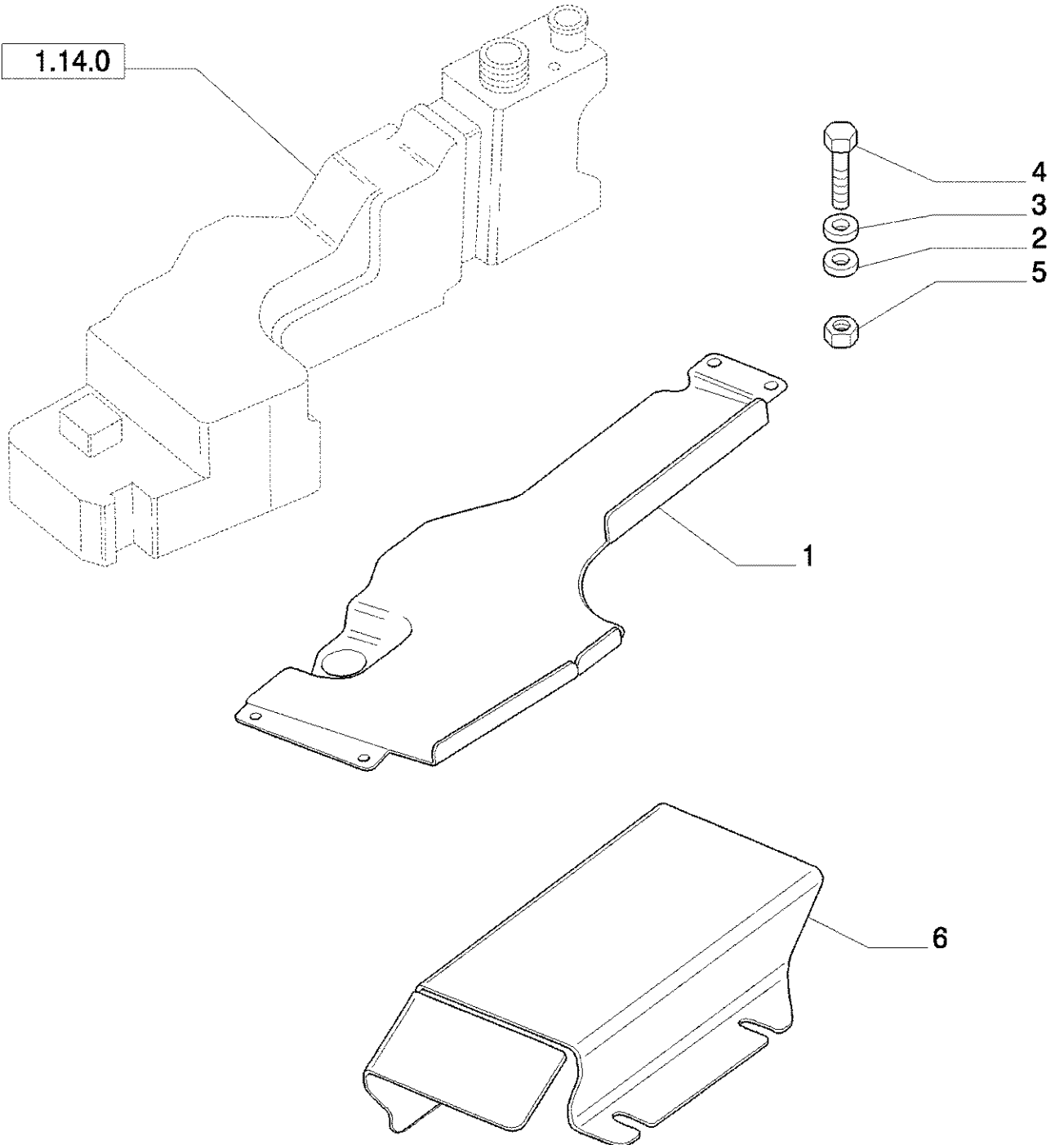
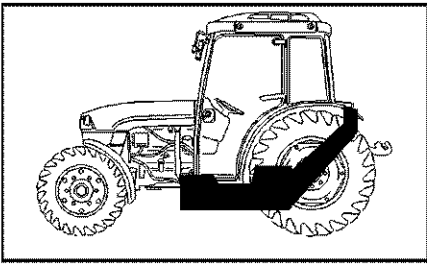


1.14.6

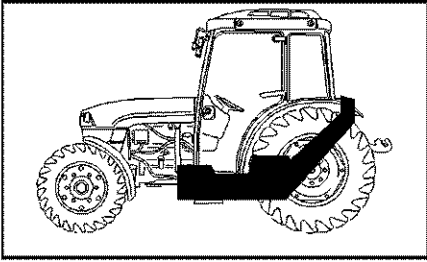


1.14.0 BRANDSTOFTANK

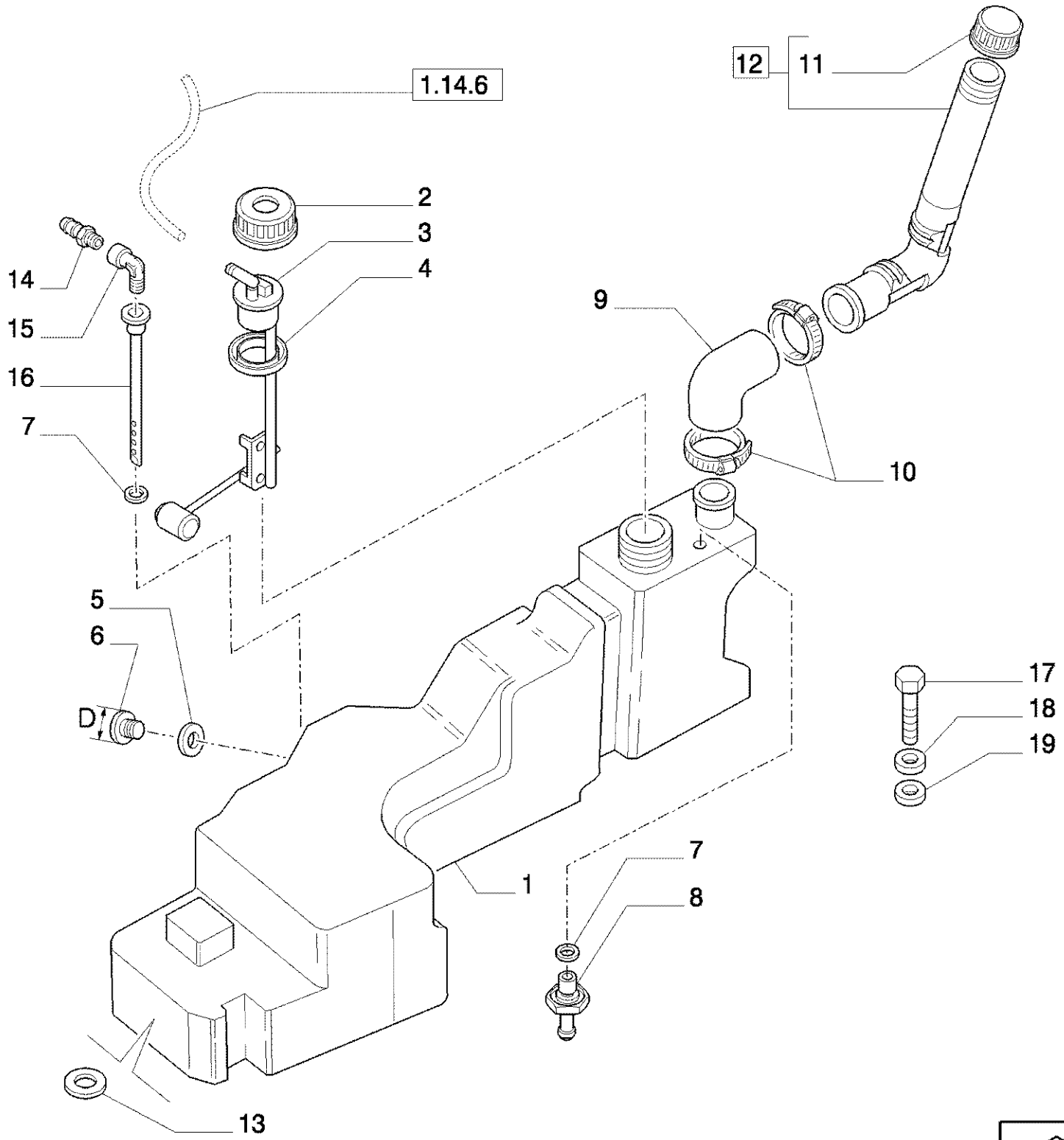
Ref	Onderdeelnummer	Kwt	Beschrijving
1	5192322	1	TANK, INCL. REF. 2 THROUGH 8
2	82002171	1	RING,
3	5194712	1	PEILAAANWIJZER,
4	83998804	1	DICHTINGSSTUK,
5	14463889	1	O-RING, CI II-220, 70 Duro, 1.359" ID x .139"Thk,
6	82019464	1	PLUG, D = 46
7	14463181	2	O-RING, -213, CI 7, .921" ID x .139" Thk,
8	5191130	1	VERBINDING,
9	5185885	1	FLEXIBELE BUIS,
10	13000890	2	SLANGKLEM, M50-70
11	82009352	1	RESERVOIRDOP,
12	5192320	1	NECK FILLER,
13	5190715	7	AFSTANDSRING,
14	5186203	1	VERBINDING,
15	5184539	1	VERBINDING,
16	5187042	1	VASTE BUIS,



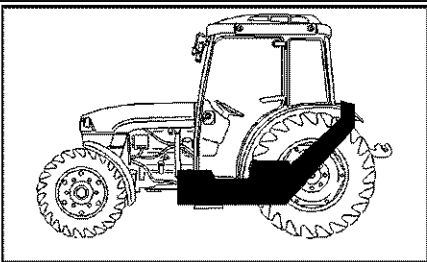
Ref	Onderdeelnummer	Kwt	Beschrijving
1	47128716	1	PLAAT,
2	11193874	4	WASHER, SPRING, Belleville, M8.4, D=8
3	12642001	4	SLUITRING, M8 x 25 x 1.5,
4	16043424	2	BOUT, Hex, M8 x 20, 8.8, Full Thd,
5	16100811	2	MOER, M8, CI 8,
6	47128647	1	STEUNBEUGEL, FOR VAR.131 ONLY



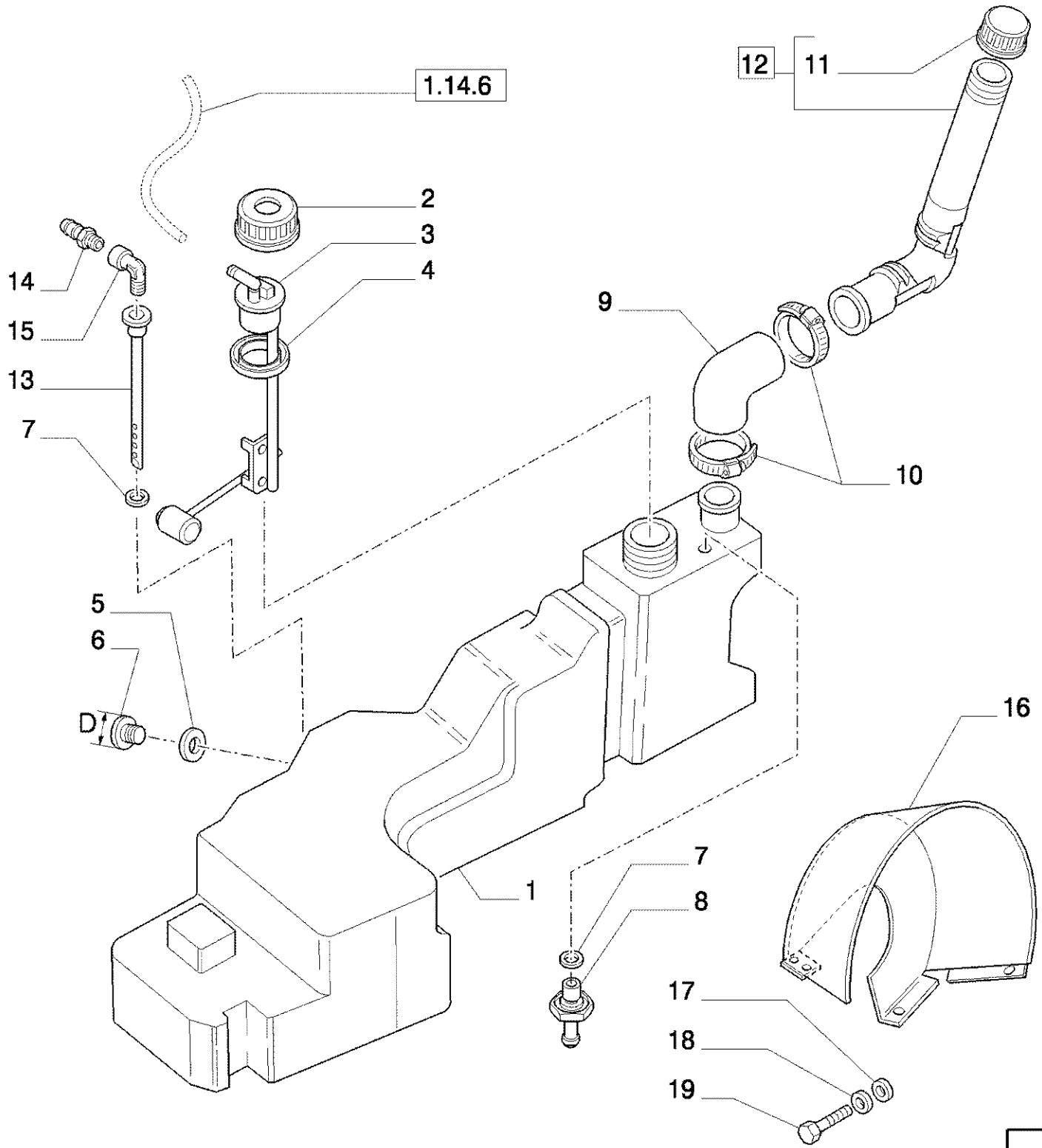
1.14.6



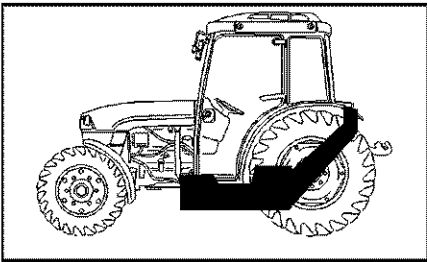
Ref	Onderdeelnummer	Kwt	Beschrijving
1	5192324	1	TANK, INCL.REF. 2
2	82002171	1	RING,
3	5194712	1	PEILAAANWIJZER,
4	83998804	1	DICHTINGSSTUK,
5	14463889	1	O-RING, CI II-220, 70 Duro, 1.359" ID x .139"Thk,
6	82019464	1	PLUG, D=46
7	14463181	2	O-RING, -213, CI 7, .921" ID x .139" Thk,
8	5191130	1	VERBINDING,
9	5185885	1	FLEXIBELE BUIS,
10	13000890	2	SLANGKLEM, M50-70
11	82009352	1	RESERVOIRDOP,
12	5192320	1	NECK FILLER,
13	5190715	7	AFSTANDSRING,
14	5186203	1	VERBINDING,
15	5184539	1	VERBINDING,
16	5187042	1	VASTE BUIS,
17	10902024	7	BOUT, Hex, M6 x 12, 8.8, Full Thd,
18	11193274	7	WASHER, SPRING, Belleville, M6.4,
19	12640604	7	SLUITRING, M6 x 25 x 2,



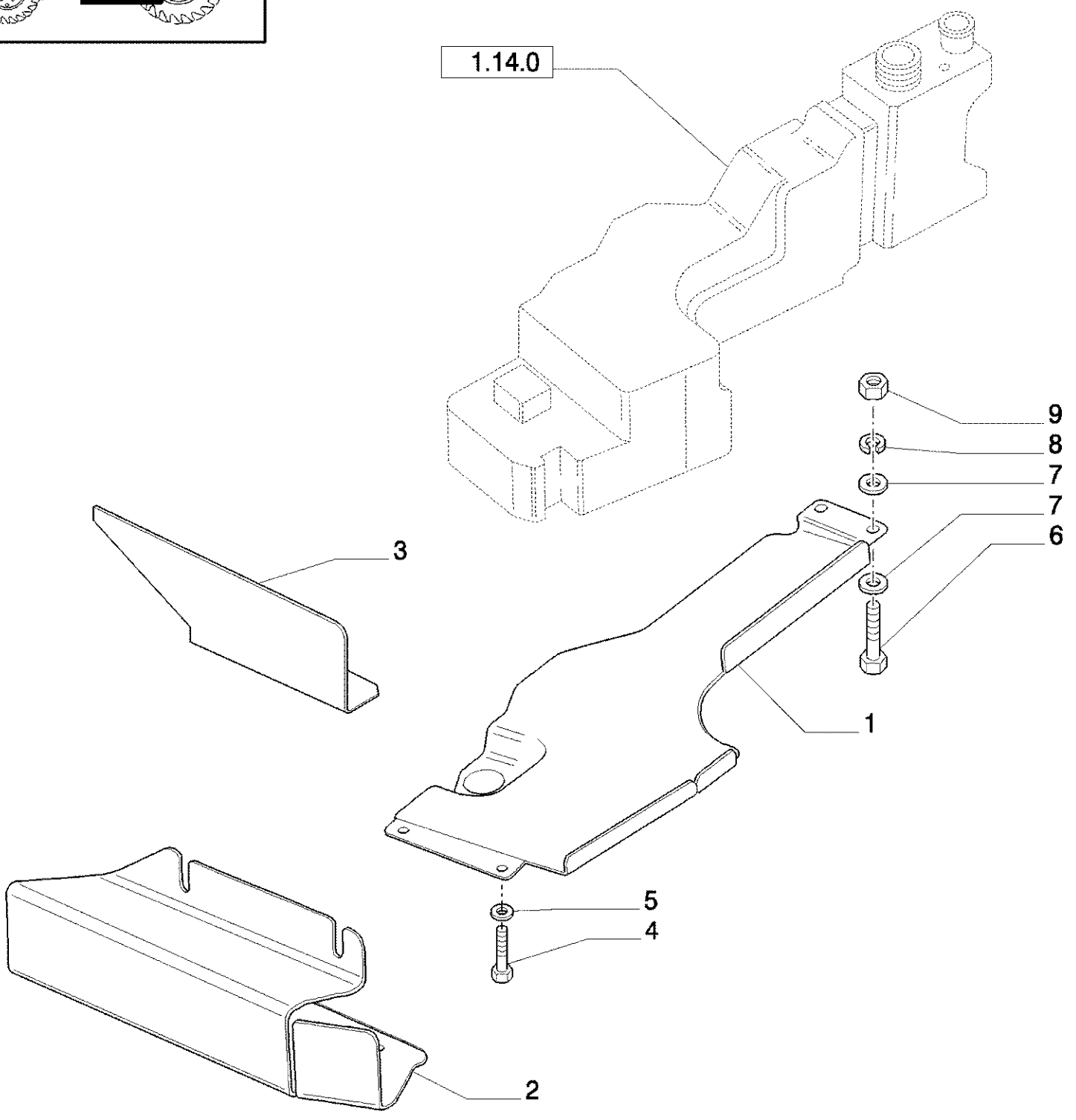
1.14.6



Ref	Onderdeelnummer	Kwt	Beschrijving
1	47129126	1	BRANDSTOFTANK, FUEL, INCL.REF. 2 THROUGH 8 & 13 THROUGH 15
2	82002171	1	RING,
3	47127116	1	PEILAAANWIJZER,
4	83998804	1	DICHTINGSSTUK,
5	14463889	1	O-RING, CI II-220, 70 Duro, 1.359" ID x .139"Thk,
6	82019464	1	PLUG, D = 46
7	14463181	2	O-RING, -213, CI 7, .921" ID x .139" Thk,
8	5191130	1	VERBINDING,
9	5185885	1	FLEXIBELE BUIS,
10	13000890	2	SLANGKLEM, M50-70
11	82009352	1	RESERVOIRDOP,
12	5192320	1	NECK FILLER,
13	5187042	1	VASTE BUIS,
14	5186203	1	VERBINDING,
15	5184539	1	VERBINDING,
16	47126423	1	AFSCHERMING,
17	11193874	3	WASHER, SPRING, Belleville, M8.4, D=8
18	12642001	3	SLUITRING, M8 x 25 x 1.5,
19	16043424	3	BOUT, Hex, M8 x 20, 8.8, Full Thd,

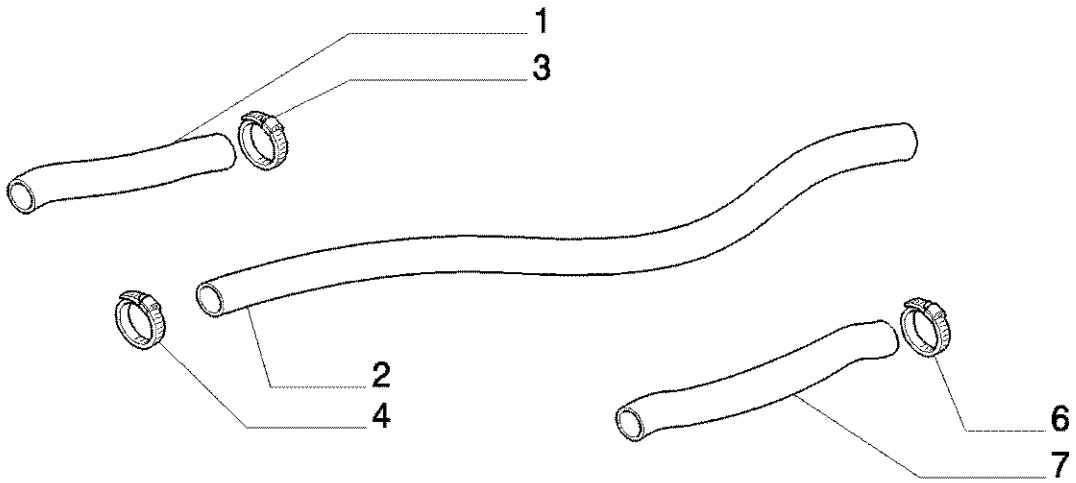
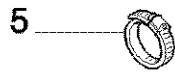
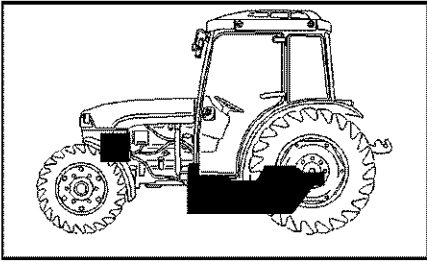


1.14.0



Ref	Onderdeelnummer	Kwt	Beschrijving
1	47130644	1	PLAAT,
2	47128642	1	AFSCHERMING,
3	47128645	1	AFSCHERMING,
4	15970724	2	BOUT, Hex, M10 x 1.25 x 25, 8.8, Full Thd,
5	11190574	2	WASHER, SPRING, Belleville, M10.5,
6	16043424	2	BOUT, Hex, M8 x 20, 8.8, Full Thd,
7	11193874	4	WASHER, SPRING, Belleville, M8.4, 8x16
8	12642001	4	SLUITRING, M8 x 25 x 1.5,
9	16100814	2	MOER, M8, CI 8,

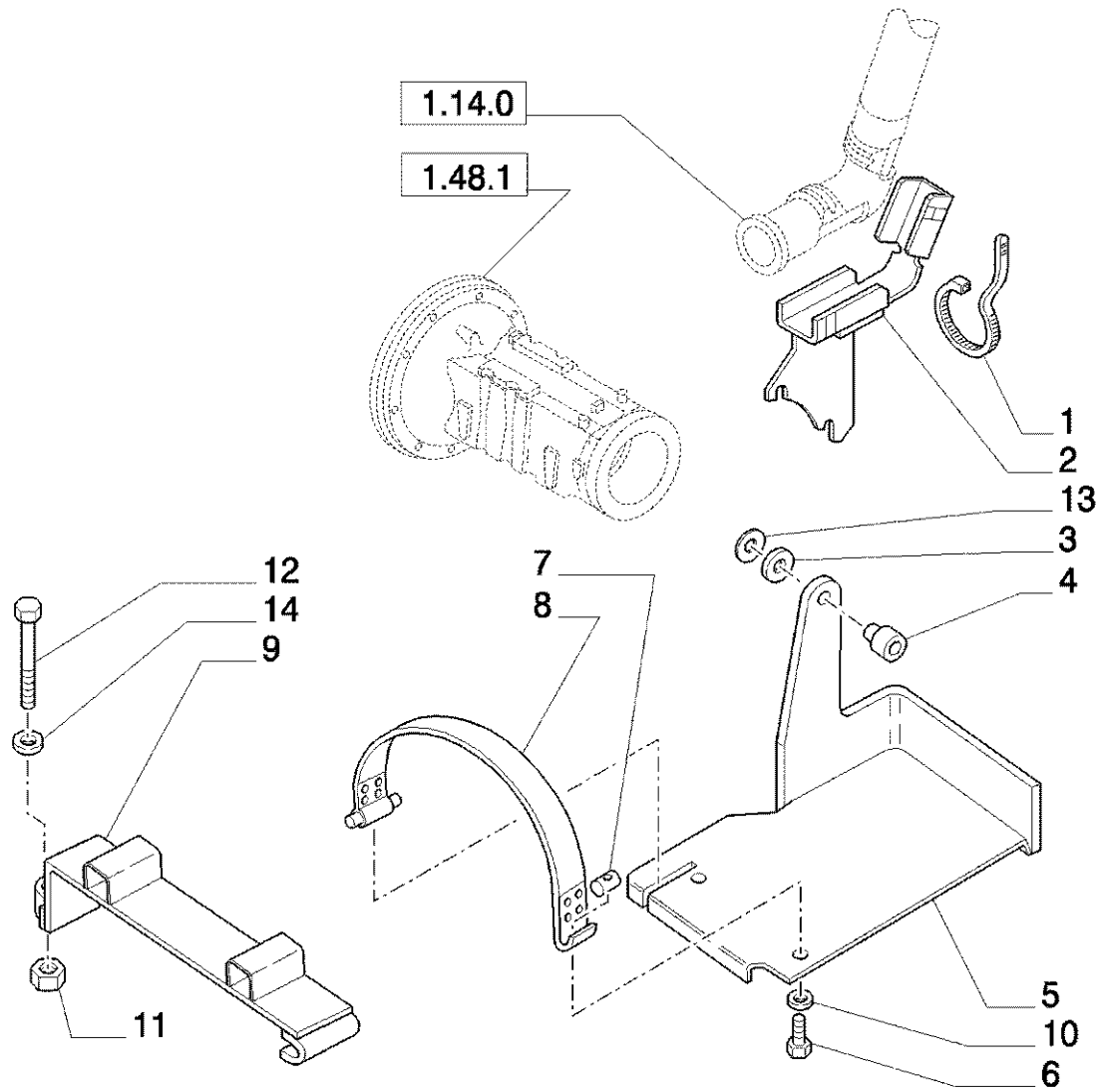
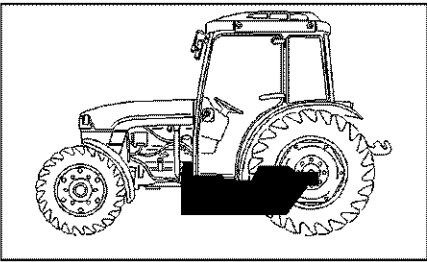
1.14.6 LEIDINGEN BRANDSTOF



1.14.6 LEIDINGEN BRANDSTOF

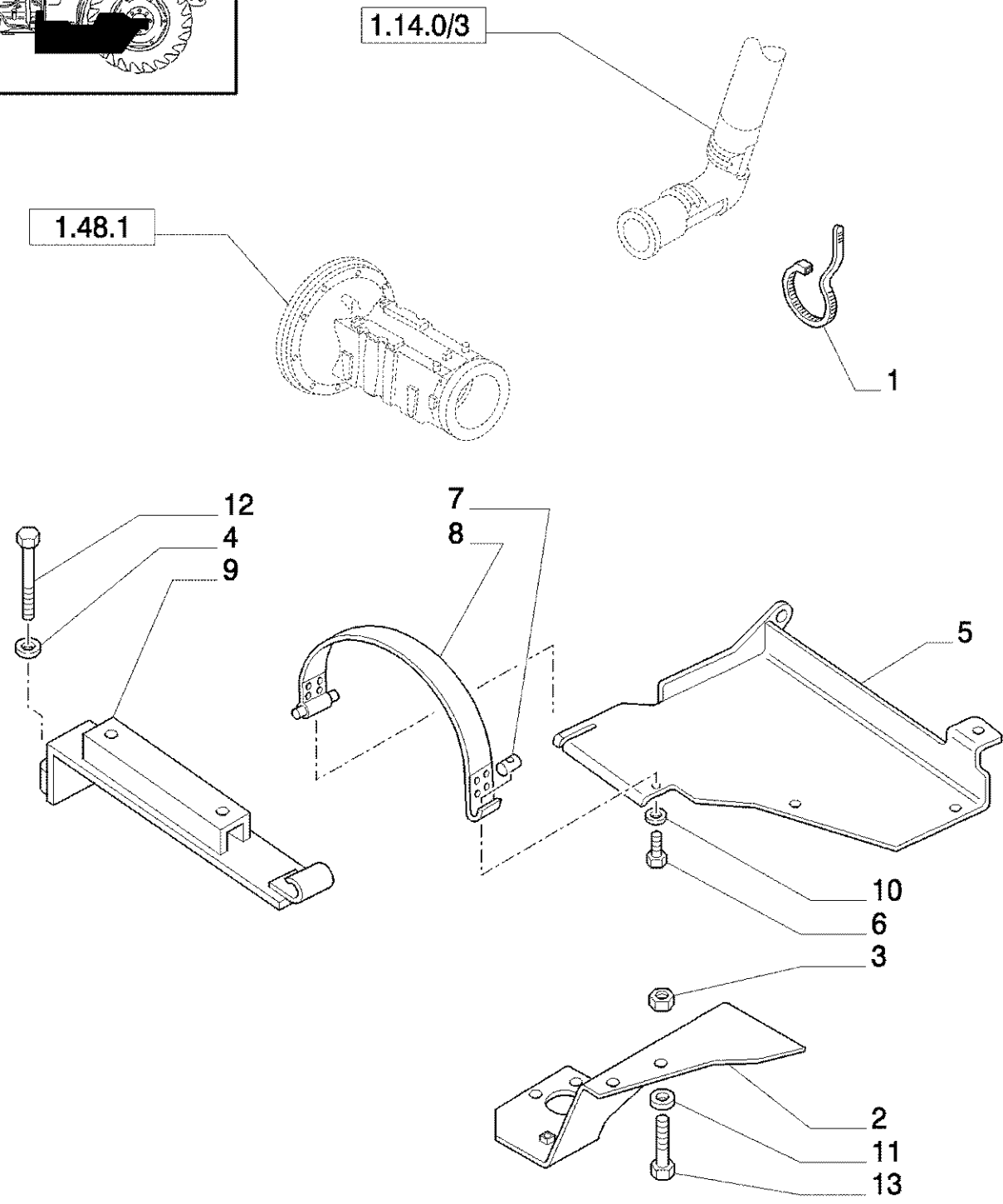
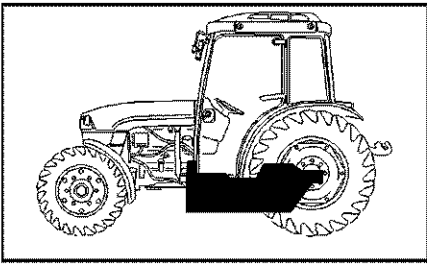
Ref	Onderdeelnummer	Kwt	Beschrijving
1	19054182		MT FLEXIBELE SLANG, Clear, 12x18
2	19053182		MT FLEXIBELE SLANG, 7x12
3	13000290	2	SLANGKLEM,
4	10186590	6	BUISKLEM, M11-13, Worm,
5	80396718	1	RIEM,
6	5184427		MT FLEXIBELE SLANG, 7.5x14.5, FOR VAR.132/1 ONLY
7	10186890	4	SLANGKLEM, M14-16, Worm, For Var. 132/1 Only

1.14.7 STEUN BRANDSTOFTANK



1.14.7 STEUN BRANDSTOFTANK

Ref	Onderdeelnummer	Kwt	Beschrijving
1	5154887	2	STRAP, CABLE,
2	5188612	1	STEUNBEUGEL,
3	5180539	2	AFSTANDSRING, 360
4	5180044	1	LAGERBUS, 360
4	5180029	1	LAGERBUS, 370, 375
5	47128930	1	STEUN,
6	86977784	1	SCHROEF, M8x60
7	5120755	1	PEN,
8	5186341	1	SPANKRAAG,
9	47132058	1	STEUNBEUGEL,
10	14496504	1	SLUITRING, M8 x 17 x 1.6,
11	12164721	1	MOER, M10 x 1.25, CI 10,
12	11288024	1	BOUT, Hex, M10 x 1.25 x 60, 8.8,
13	5183917	1	VEERRING, 14.5x38
14	14496621	1	SLUITRING, M10 x 21 x 2,

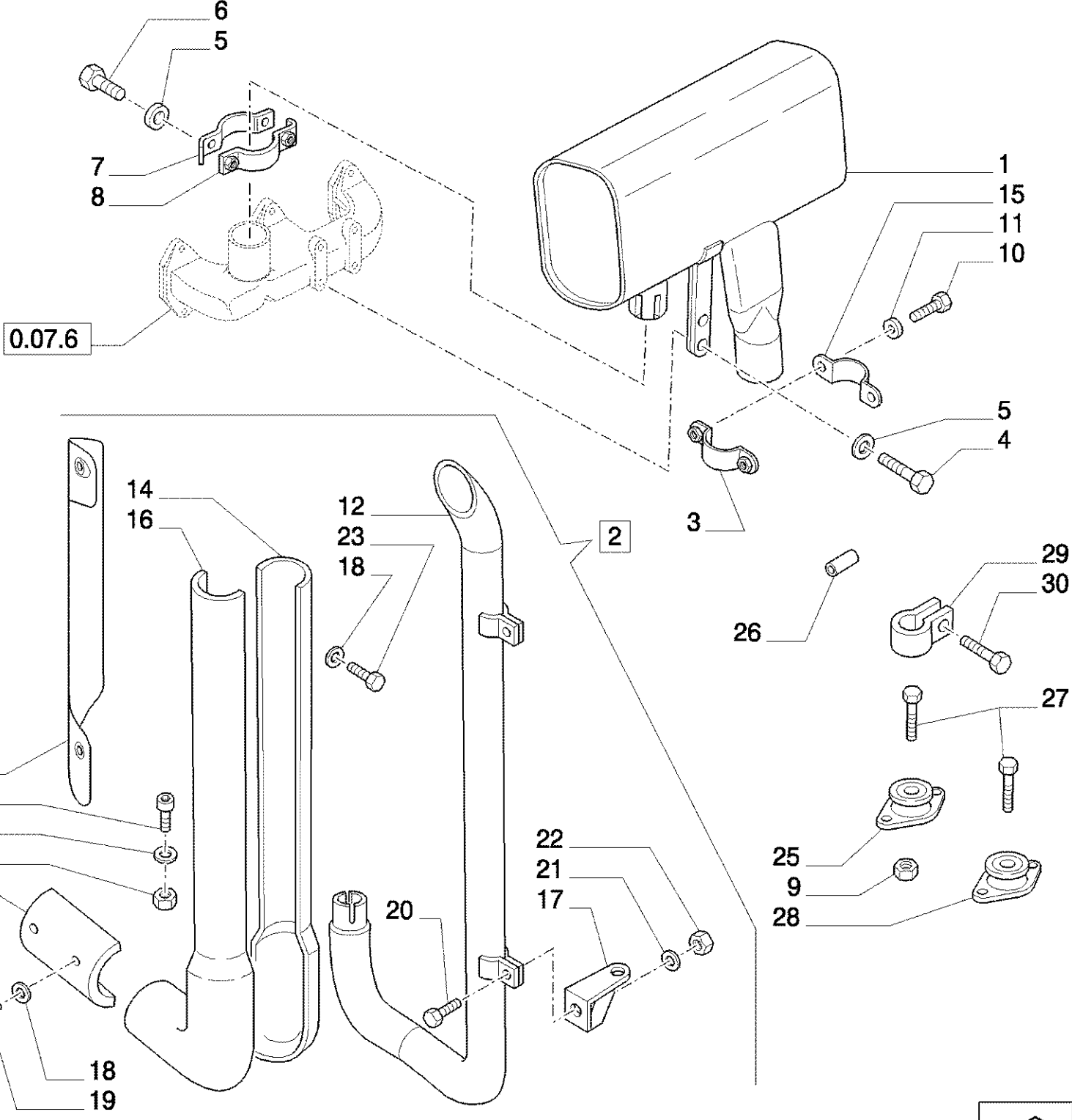
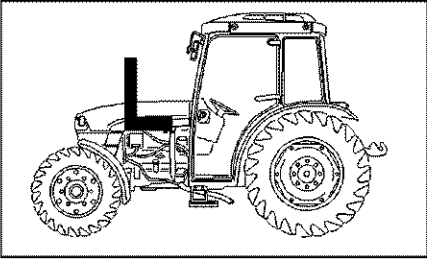


360 KOMPAKT TRACTOR (4/03-) - Motoruitrusting

1.14.7/01 (VAR.207) BRANDSTOFTANK MET AFSTAND BOVEN DE GROND 70MM - TANKDRAGER

Ref	Onderdeelnummer	Kwt	Beschrijving
1	5154887	2	STRAP, CABLE,
2	47126421	1	STEUNBEUGEL,
3	16100811	1	MOER, M8, CI 8,
4	14496621	1	SLUITRING, M10 x 21 x 2,
4	11190574	2	WASHER, SPRING, Belleville, M10.5,
4	10730501	1	SLUITRING, M10 x 20 OD x 2.5 Thk,
5	47126422	1	STEUNBEUGEL,
6	86977784	1	SCHROEF, M8x60
7	5120755	1	PEN,
8	47126416	1	SPANKRAAG,
9	47126442	1	STEUNBEUGEL,
10	14496504	1	SLUITRING, M8 x 17 x 1.6,
11	11193874	2	WASHER, SPRING, Belleville, M8.4, M10
11	12642001	2	SLUITRING, M8 x 25 x 1.5,
12	15888724	1	BOUT, Hex, M10 x 1.25 x 55, 8.8,
13	16043424	1	BOUT, Hex, M8 x 20, 8.8, Full Thd,
13	16044424	1	BOUT, Hex, M8 x 60, 8.8,

1.15.1(01) KNALPOT

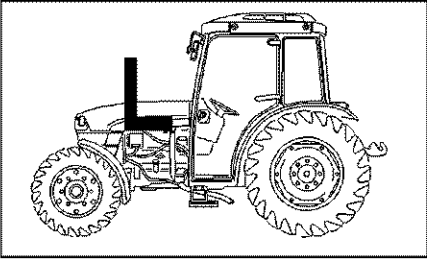


360 KOMPAKT TRACTOR (4/03-) - Motoruitrusting

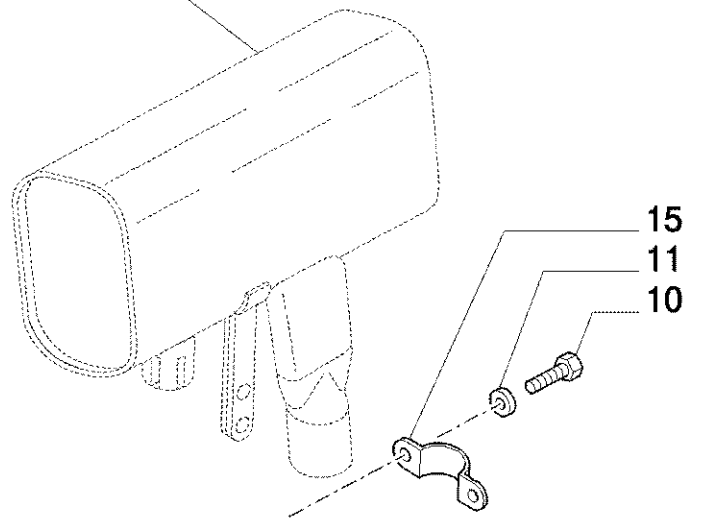
1.15.1(01) KNALPOT

Ref	Onderdeelnummer	Kwt	Beschrijving
1	5172649	1	KNALPOT,
2	47056667	1	VERLENGSTUK,
3	5180679	1	BUISKLEM,
5	11193874	6	WASHER, SPRING, Belleville, M8.4, M8
6	16043424	2	BOUT, Hex, M8 x 20, 8.8, Full Thd,
7	5181589	1	BUISKLEM,
8	5181587	1	BUISKLEM,
11	11197774	2	WASHER, SPRING, Belleville, M6.4,
12	47056982	1	VERLENGSTUK,
13	47057244	1	AFSCHERMING,
14	47056655	2	AFSCHERMING, M8x1.25x16
15	5183964	1	BUISKLEM,
16	47056659	1	AFSCHERMING,
17	47056209	2	HOEKIJZER,
18	13550201	8	SLUITRING, D=6
19	47057252	3	SCHROEF, M6x10
20	16043324	2	BOUT, Hex, M8 x 18, 8.8, Full Thd,
21	14496521	2	SLUITRING, M8 x 17 x 1.6,
22	16100811	2	MOER, M8, CI 8,
23	11635721	4	BOUT, Hex, M6 x 8, 8.8, Full Thd,
25	47056714	2	BLAASBALG,
26	47056716	2	VASTE BUIS,
27	10903721	2	BOUT, Hex, M6 x 55, 8.8,
28	47056715	2	BLAASBALG,
29	5170258	1	SPANKRAAG,
30	16043524	1	BOUT, Hex, M8 x 22, 8.8, Full Thd,
31	47132913	1	AFSCHERMING,
4	16043924	2	BOUT, Hex, M8 x 35, 8.8, Full Thd,
10	10902224	2	BOUT, Hex, M6 x 16, 8.8, Full Thd,
9	15896221	1	MOER, M6, CI 10,
24	15896221	1	MOER, M6, CI 10,

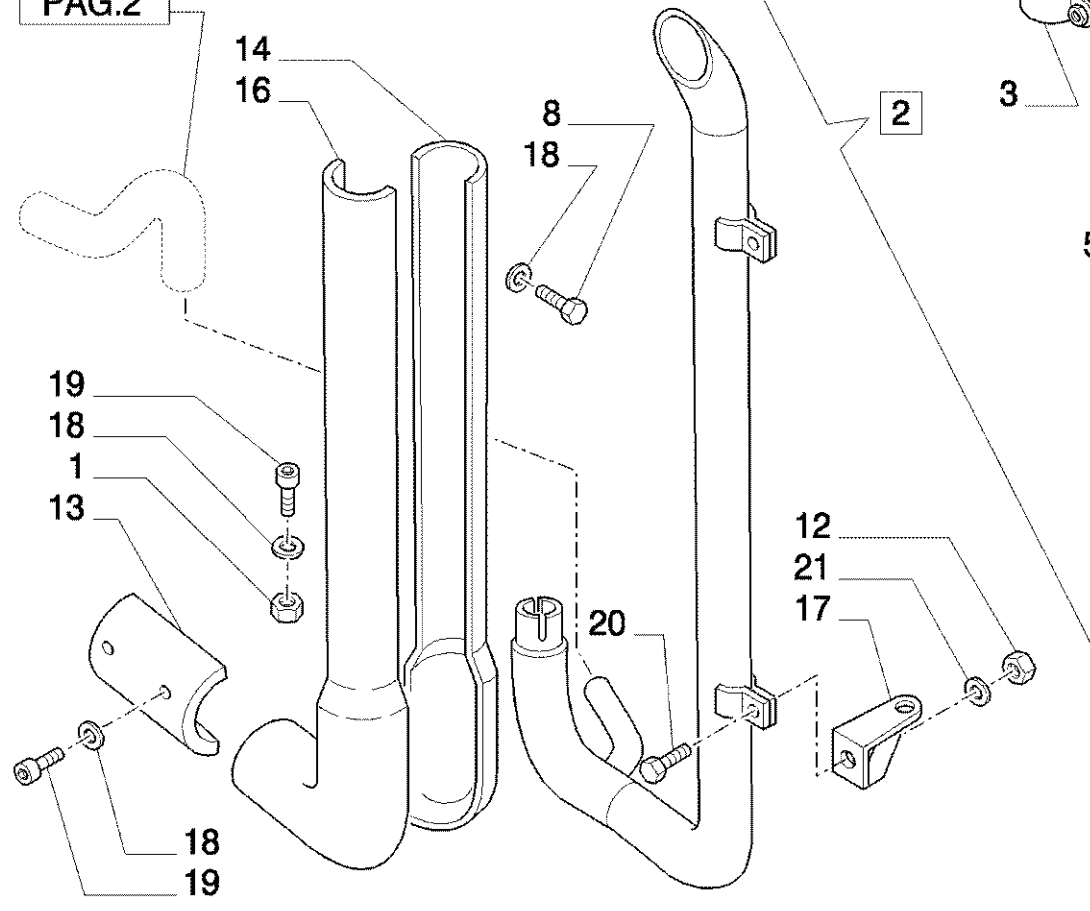
1.15.1/01 (VAR.199) EJECTEUR LUCHTFILTER - GELUIDSDEMPER



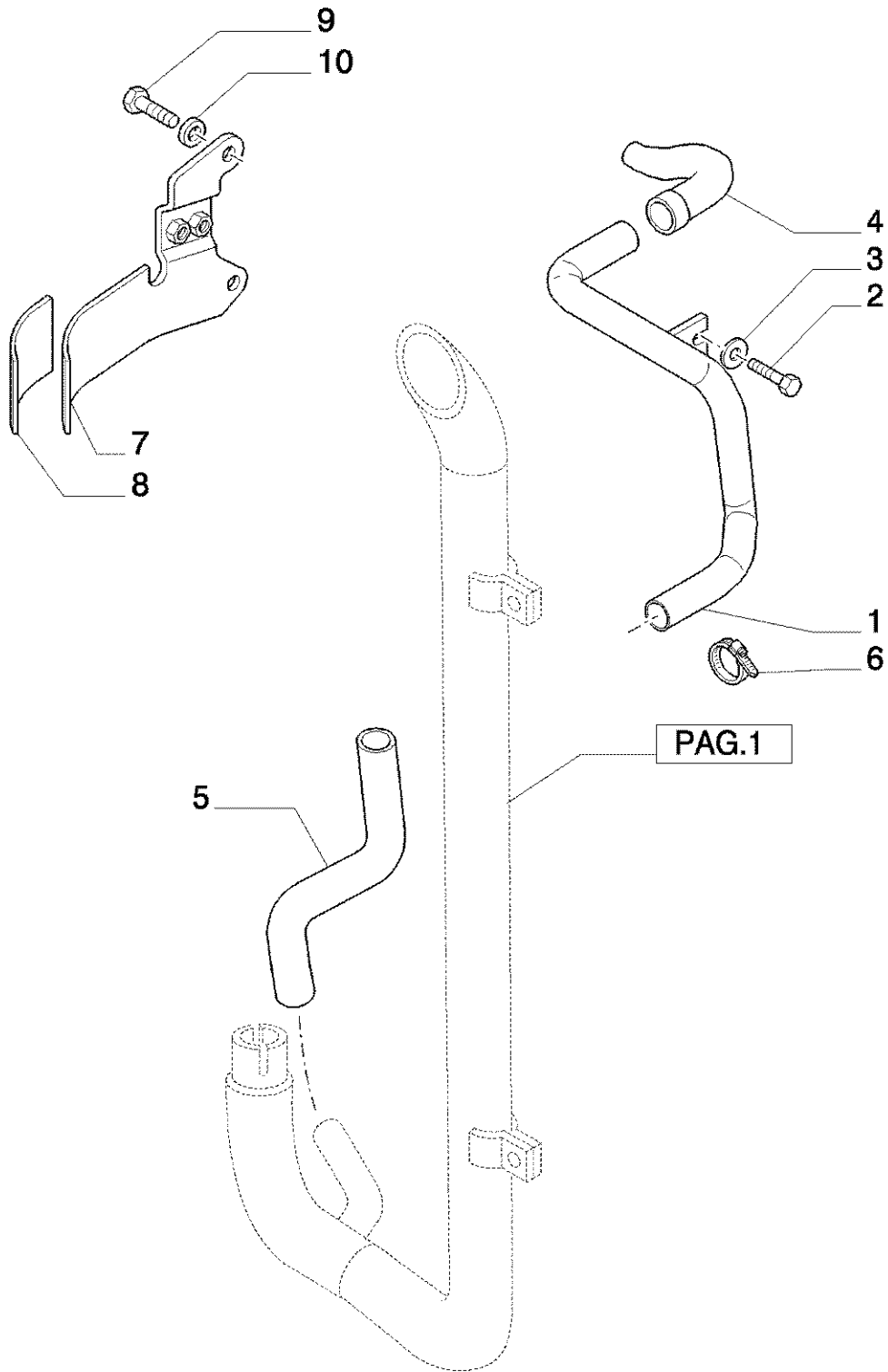
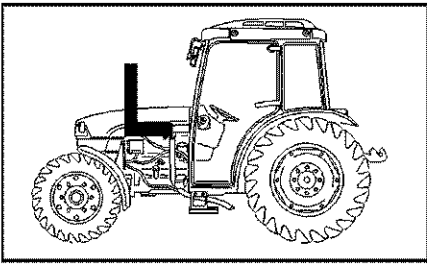
1.15.1



PAG.2



Ref	Onderdeelnummer	Kwt	Beschrijving
2	47056666	1	KNALPOT,
3	5180679	1	BUISKLEM,
4	47056714	2	BLAASBALG,
5	47056716	2	VASTE BUIS,
6	10903721	2	BOUT, Hex, M6 x 55, 8.8,
7	47056715	2	BLAASBALG,
8	11635721	4	BOUT, Hex, M6 x 8, 8.8, Full Thd,
11	11197774	2	WASHER, SPRING, Belleville, M6.4,
12	16100811	2	MOER, M8, CI 8,
13	47057244	1	AFSCHERMING,
14	47056655	2	AFSCHERMING, M8x1.25x16
15	5183964	1	BUISKLEM,
16	47056659	1	AFSCHERMING,
17	47056209	2	HOEKIJZER,
18	13550201	8	SLUITRING, D=6
19	47057252	3	SCHROEF, M6x10
20	16043324	2	BOUT, Hex, M8 x 18, 8.8, Full Thd,
21	14496525	2	SLUITRING, D=8
10	10902224	2	BOUT, Hex, M6 x 16, 8.8, Full Thd,
1	15896221	1	MOER, M6, CI 10,
9	15896221	1	MOER, M6, CI 10,

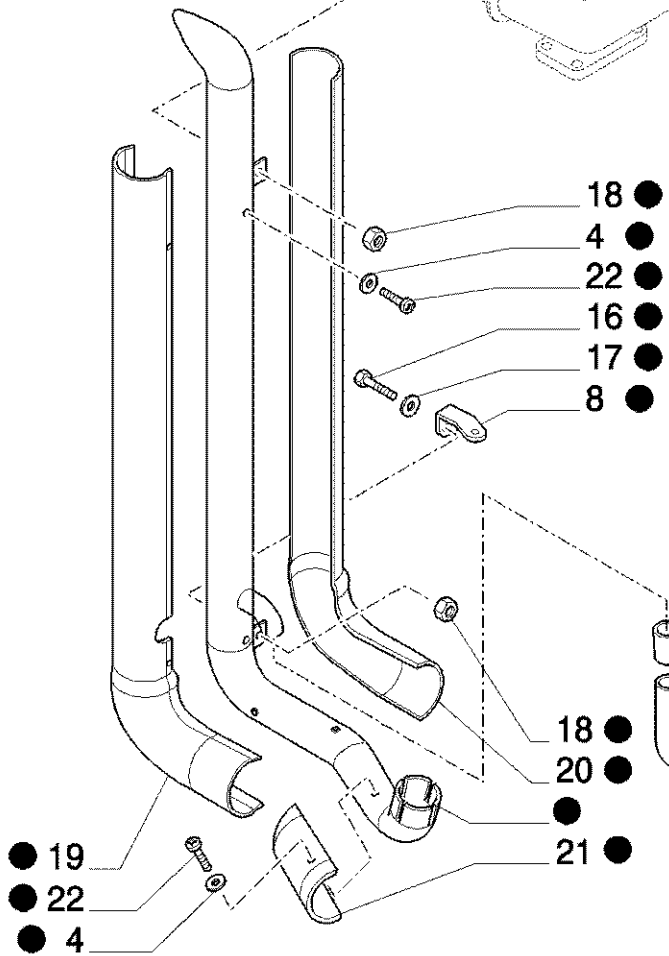
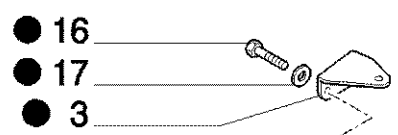
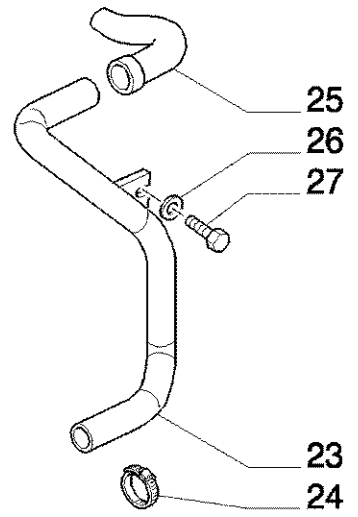
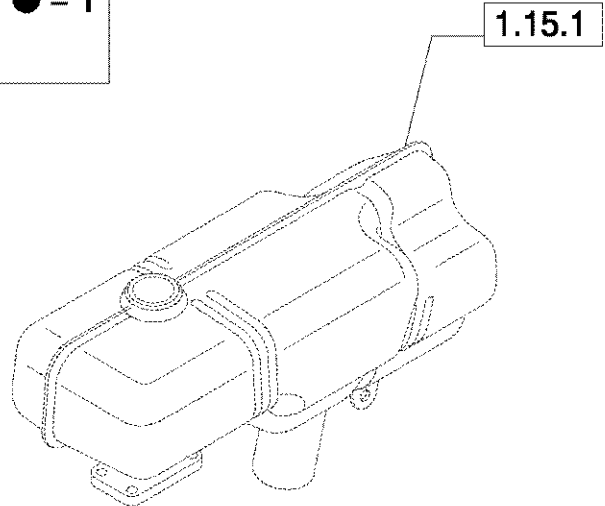
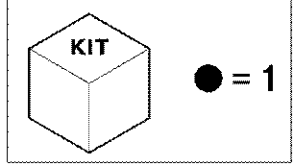
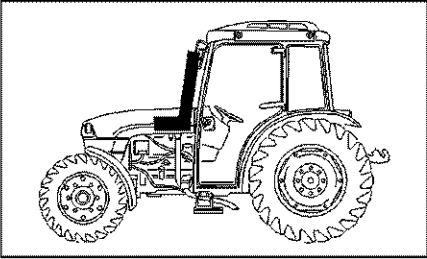


360 KOMPAKT TRACTOR (4/03-) - Motoruitrusting

1.15.1/02 (VAR.199) EJECTEUR LUCHTFILTER - GELUIDSDEMPER

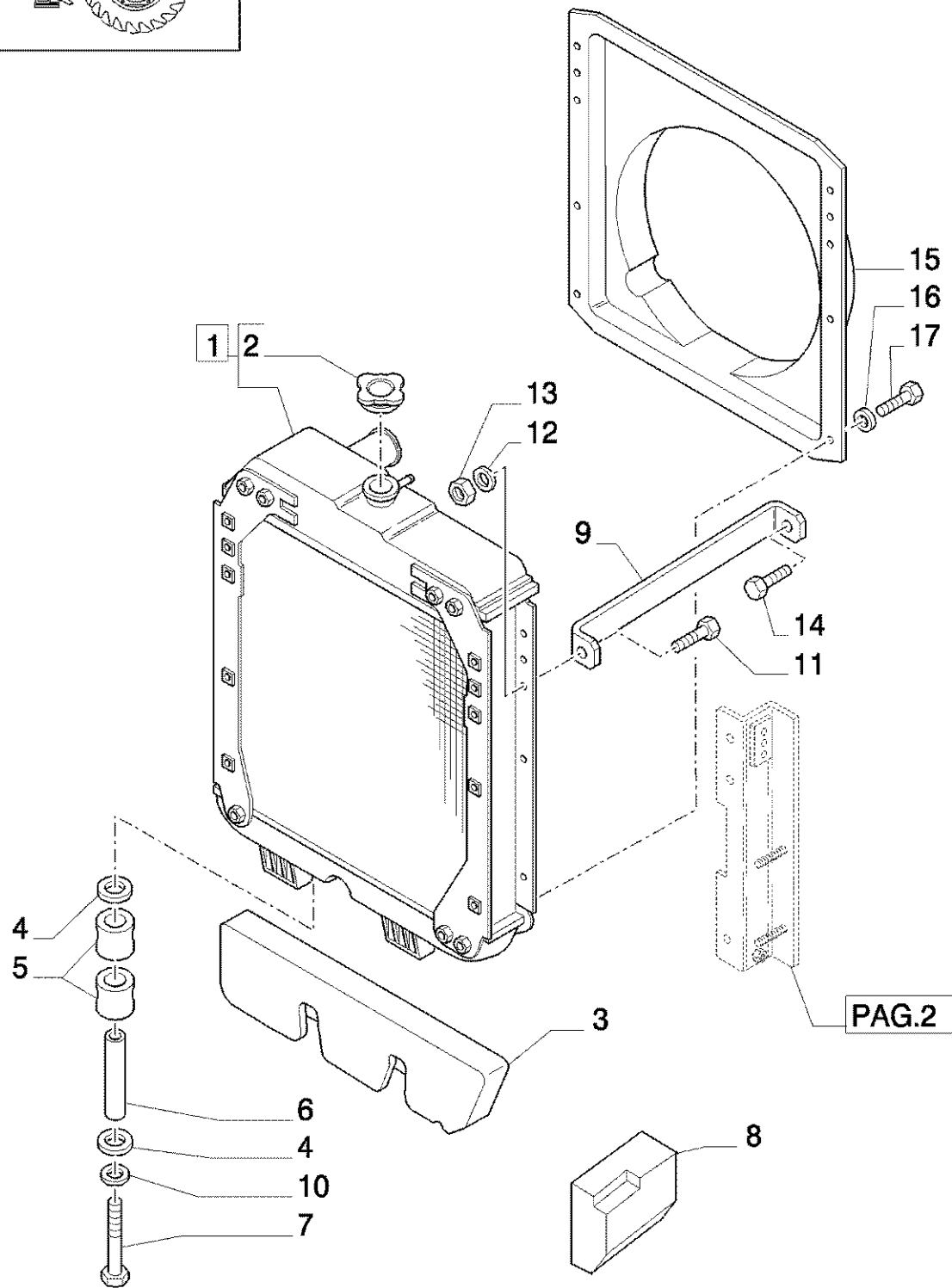
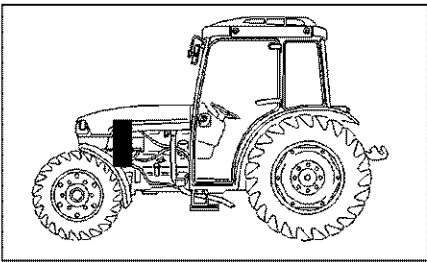
Ref	Onderdeelnummer	Kwt	Beschrijving
1	47136160	1	VASTE BUIS,
3	11197774	1	WASHER, SPRING, Belleville, M6.4,
4	47136159	1	FLEXIBELE BUIS,
5	47057109	1	FLEXIBELE BUIS,
6	13000690	1	SLANGKLEM, D=32-50
7	5178369	1	STEUNBEUGEL, (Only for 360)
8	5173003	1	AFSCHERMING, (Only for 360)
9	16043524	1	BOUT, Hex, M8 x 22, 8.8, Full Thd, (Only for 360)
10	11193874	1	WASHER, SPRING, Belleville, M8.4, 8x16, (Only for 360)
10	11198574	1	WASHER, SPRING, Belleville, M10.5, (Only for 360)
9	15970524	1	BOUT, Hex, M10 x 1.25 x 20, 8.8, Full Thd, (Only for 360)
2	10902224	1	BOUT, Hex, M6 x 16, 8.8, Full Thd,

1.15.1/04 (VAR.504) "A" PILLAR TYPE VERTIKALE MET UITLAATBESCHERMING - KNALPOT



Ref	Onderdeelnummer	Kwt	Beschrijving
1	87310441	1	
2	5180679	1	BUISKLEM,
3	87310289	1	HOEKIJZER,
4	13550201	10	SLUITRING,
5	87316295	4	
6	10902224	4	BOUT, Hex, M6 x 16, 8.8, Full Thd,
7	11197774	1	WASHER, SPRING, Belleville, M6.4,
8	47056209	1	HOEKIJZER,
9	5183964	1	BUISKLEM,
10	87313305	1	VASTE BUIS,
11	15896221	8	MOER, M6, CI 10,
12	47056714	2	BLAASBALG,
13	47056716	2	VASTE BUIS,
14	10903721	2	BOUT, Hex, M6 x 55, 8.8,
15	47056715	2	BLAASBALG,
16	87310288	2	M8x18
17	14496521	2	SLUITRING, M8 x 17 x 1.6,
18	16100811	8	MOER, M8, CI 8,
19	87310444	1	M6x10
20	87310448	1	
21	47057244	1	AFSCHERMING,
22	47057252	8	SCHROEF,
23	47136160	1	VASTE BUIS,
24	13000690	1	SLANGKLEM,
25	47136159	1	FLEXIBELE BUIS,
26	11197774	1	WASHER, SPRING, Belleville, M6.4,
27	10902244	1	

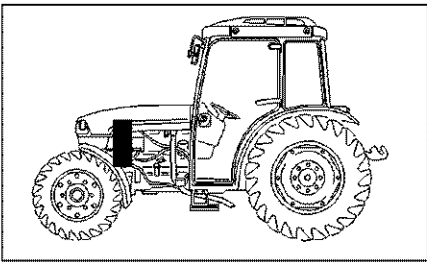
1.17.0(01) RADIATOR EN DESBETREFFENDE DETAILS



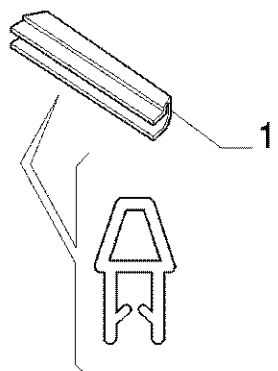
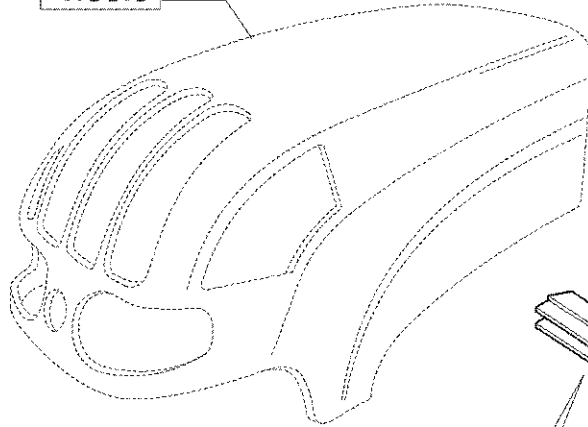
1.17.0(01) RADIATOR EN DESBETREFFENDE DETAILS

Ref	Onderdeelnummer	Kwt	Beschrijving
1	5172928	1	RADIATORKOELER, ASSY
2	4999682	1	RADIATORDOP,
3	47131999	1	DICHTINGSSTUK,
4	5102702	4	SLUITRING,
5	5108225	4	BEVESTIGING, RUBBER,
6	5102703	2	AFSTANDSRING, 11x15x63
7	15971624	2	BOUT, Hex, M10 x 1.25 x 90, 8.8,
8	47132001	1	DICHTINGSSTUK,
9	5176672	1	STEUNBEUGEL,
10	11198374	2	WASHER, SPRING, Belleville, M10.5, M10
11	16043324	1	BOUT, Hex, M8 x 18, 8.8, Full Thd,
12	11197879	1	WASHER, SPRING, Belleville, M8.4, 8x16
13	16100811	1	MOER, M8, CI 8,
14	15697804	1	ZELFTAPPENDE SCHROEF, Hex Wash Hd, M6 x 20,
15	5176669	1	TRANSPORTEUR,
16	11197774	8	WASHER, SPRING, Belleville, M6.4,
17	10902124	8	BOUT, Hex, M6 x 14, 8.8, Full Thd,

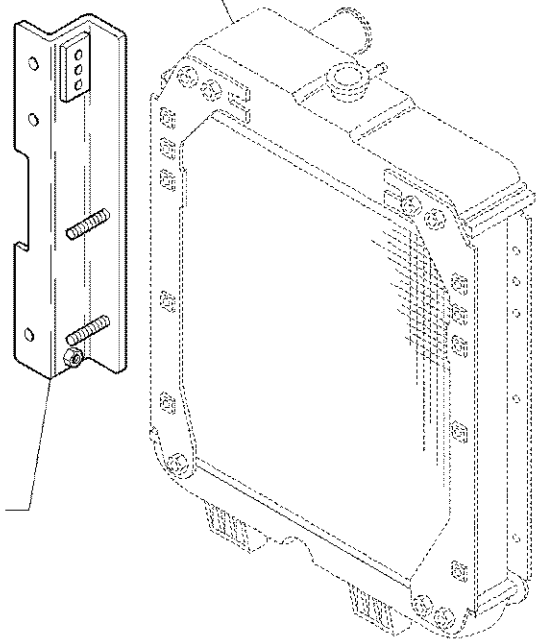
1.17.0(02) RADIATOR EN DESBETREFFENDE DETAILS



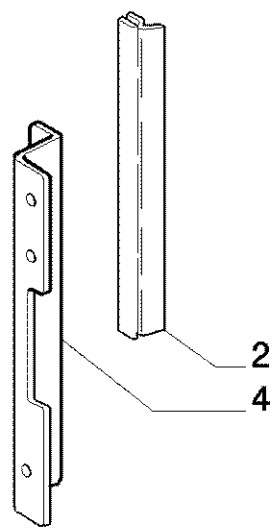
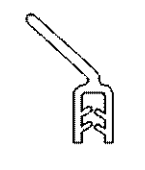
1.83.0



PAG.1



3

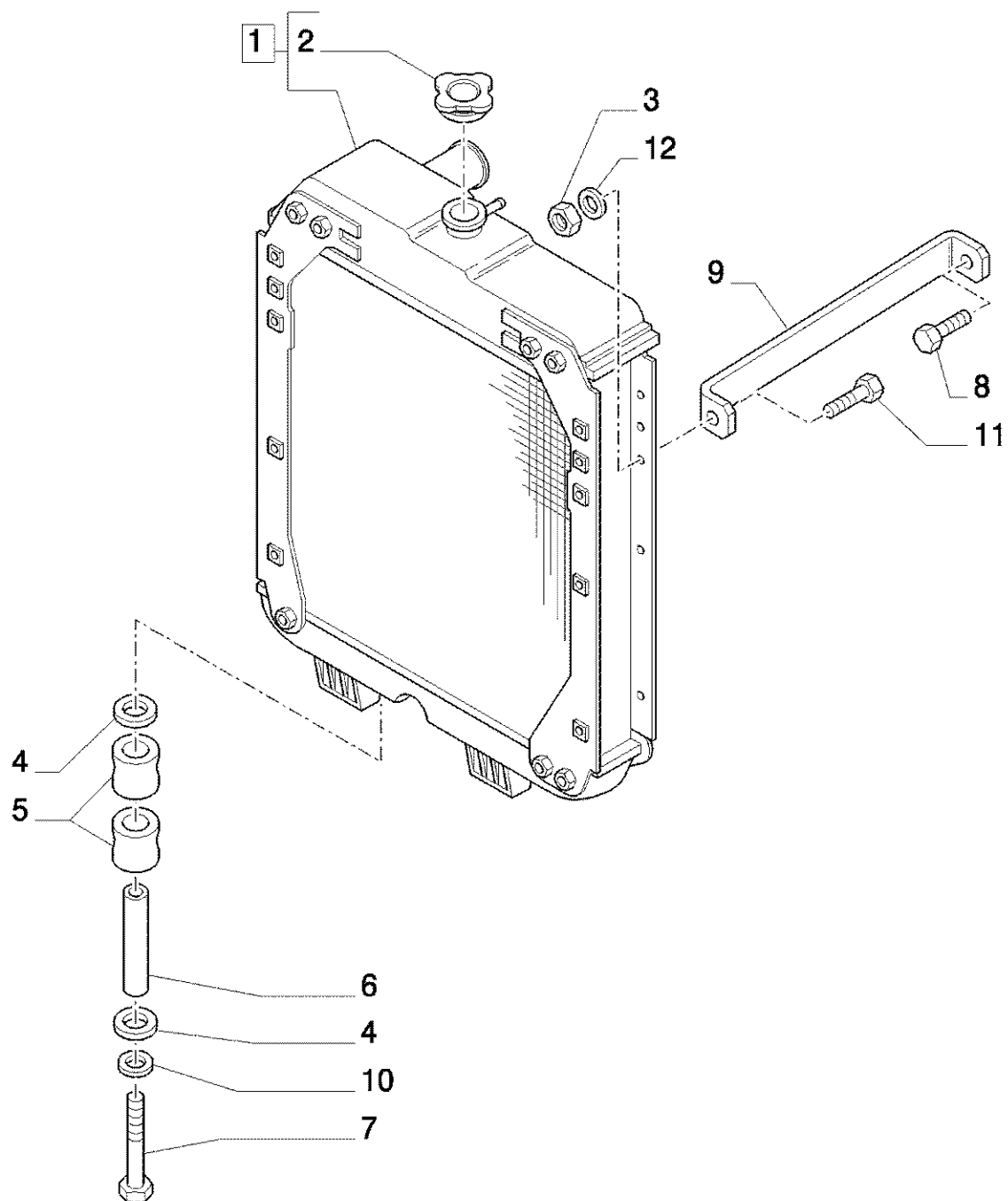
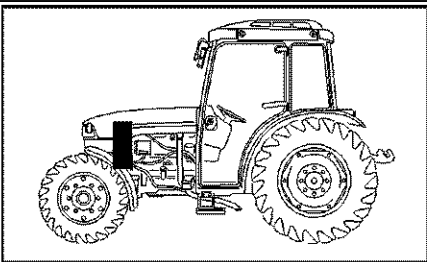


2
4



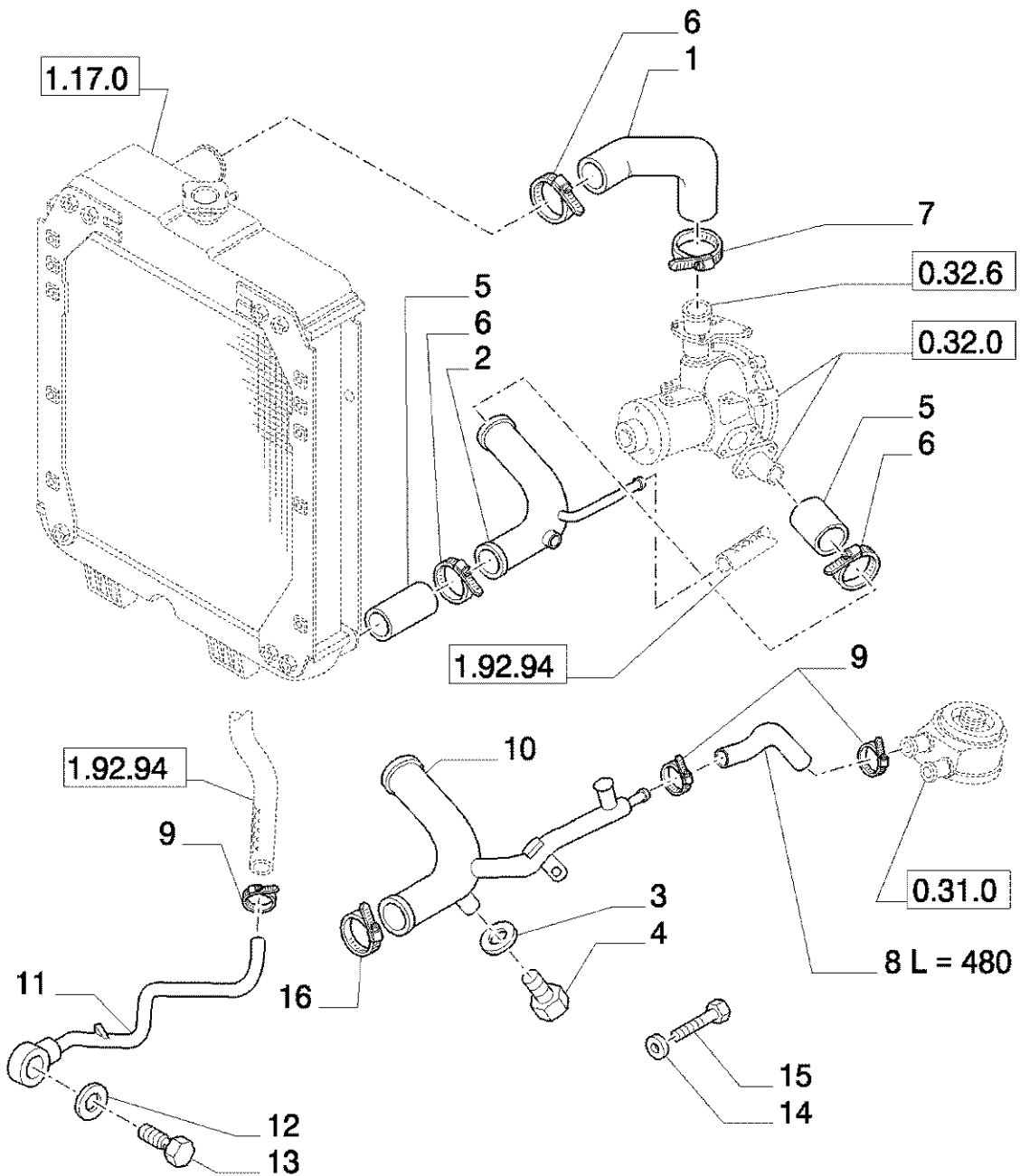
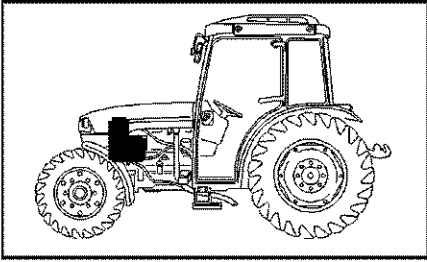
1.17.0(02) RADIATOR EN DESBETREFFENDE DETAILS

Ref	Onderdeelnummer	Kwt	Beschrijving
1	47130040	1	DICHTINGSSTUK,
2	5186717	2	DICHTINGSSTUK, M8x1.25
3	47132041	1	TUSSENSCHOT, LH
4	47132043	1	TUSSENSCHOT, RH



Ref	Onderdeelnummer	Kwt	Beschrijving
1	5172926	1	RADIATORKOELER,
2	4999682	1	RADIATORDOP,
3	16100811	1	MOER, M8, CI 8,
4	5102702	4	SLUITRING,
5	5108225	4	BEVESTIGING, RUBBER,
6	5102703	2	AFSTANDSRING, 11x15x63
7	15971624	2	BOUT, Hex, M10 x 1.25 x 90, 8.8,
8	15697804	1	ZELFTAPPENDE SCHROEF, Hex Wash Hd, M6 x 20,
9	5176672	1	STEUNBEUGEL,
10	11198374	2	WASHER, SPRING, Belleville, M10.5, M10
11	16043324	1	BOUT, Hex, M8 x 18, 8.8, Full Thd,
12	11197874	1	WASHER, SPRING, Belleville, M8.4,

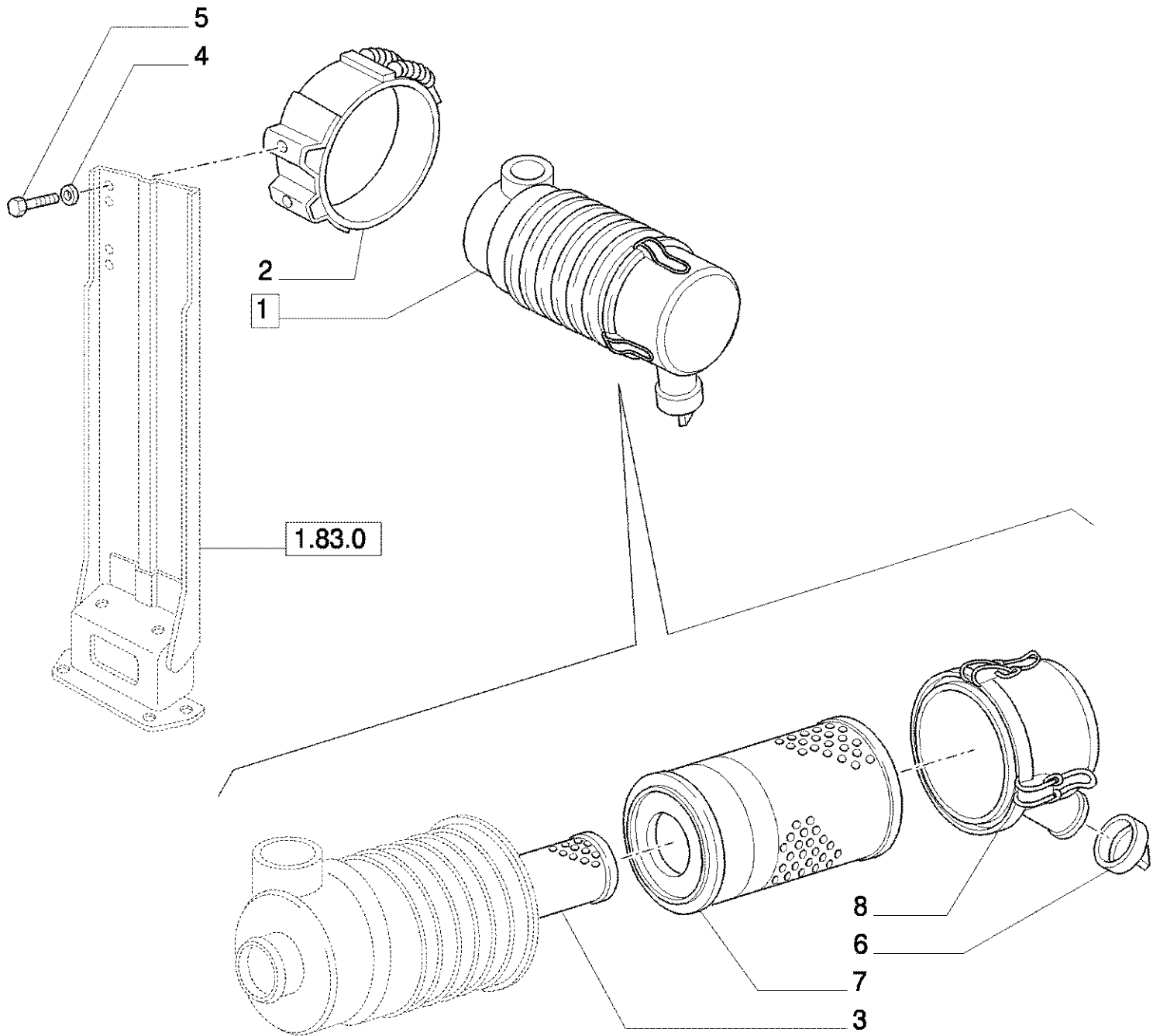
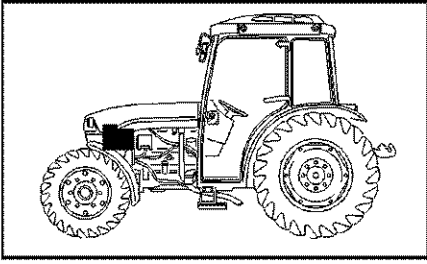
1.17.2 AFKOELINGSLEIDINGEN



1.17.2 AFKOELINGSLEIDINGEN

Ref	Onderdeelnummer	Kwt	Beschrijving
1	5176675	1	FLEXIBELE BUIS,
2	5186369	1	VASTE BUIS, 360
3	4858609	1	O-RING,
4	10300714	1	PLUG, M16 x 1.5 x 14,
5	596152	2	FLEXIBELE BUIS,
6	13000690	5	SLANGKLEM,
7	13000890	1	SLANGKLEM,
8	5187343	MT	FLEXIBELE SLANG, 365, 370
9	13000490	5	SLANGKLEM, 365, 370
10	5187324	1	VASTE BUIS, 365, 370
11	47129306	1	VASTE BUIS,
12	98429280	2	DICHTINGSSTUK,
13	10182614	1	VERBINDINGSBOUT, M20 x 1.5 x 36,
14	11197979	1	WASHER, SPRING, Belleville, M13,
15	11112124	1	BOUT, Hex, M12 x 20, 8.8, Full Thd,
16	13000390	1	SLANGKLEM,

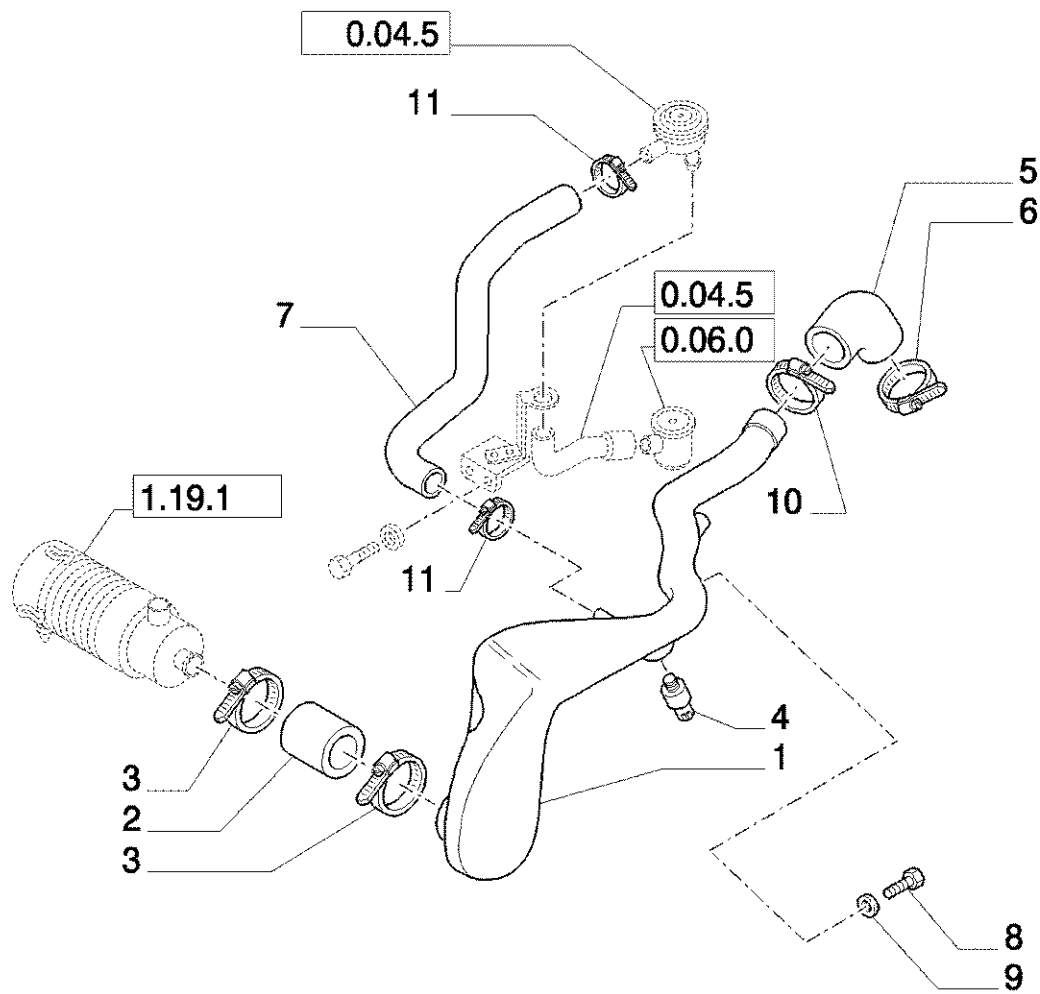
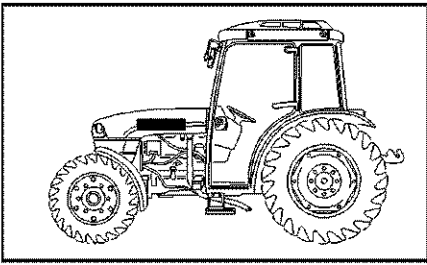
1.19.1 DROGE LUCHTFILTER



1.19.1 DROGE LUCHTFILTER

Ref	Onderdeelnummer	Kwt	Beschrijving
1	5176855	1	LUCHTFILTER, ASSY
2	47128925	1	STEUNBEUGEL,
3	47135977	1	FILTERELEMENT,
4	11198574	2	WASHER, SPRING, Belleville, M10.5,
5	15970324	2	BOUT, Hex, M10 x 1.25 x 16, 8.8, Full Thd,
6	79099440	1	PLUG,
7	47135974	1	FILTERELEMENT,
8	47135966	1	DEKSEL,

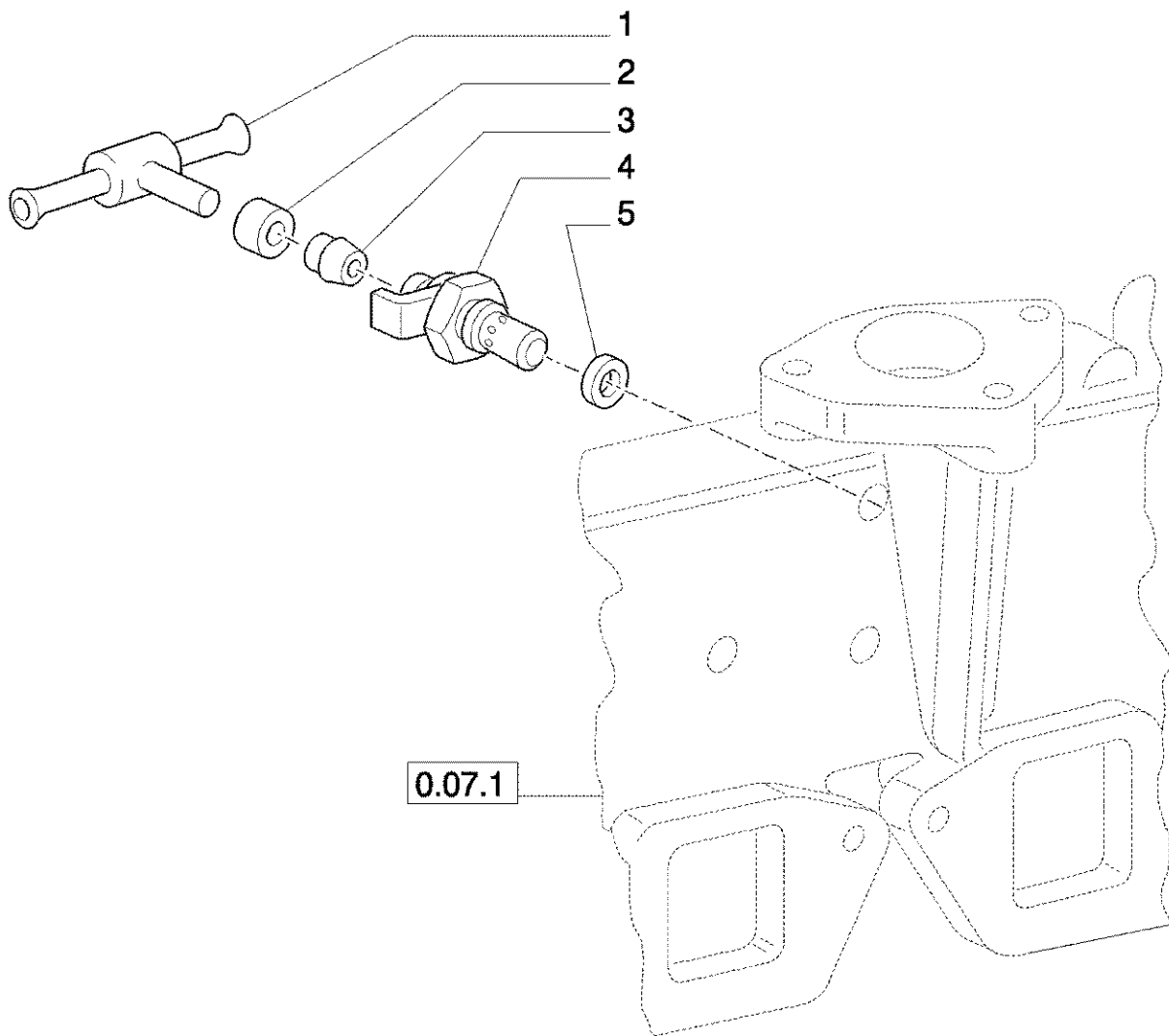
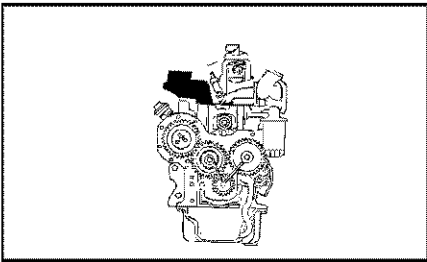
1.19.7(01) LEIDINGEN LUCHTFILTER



1.19.7(01) LEIDINGEN LUCHTFILTER

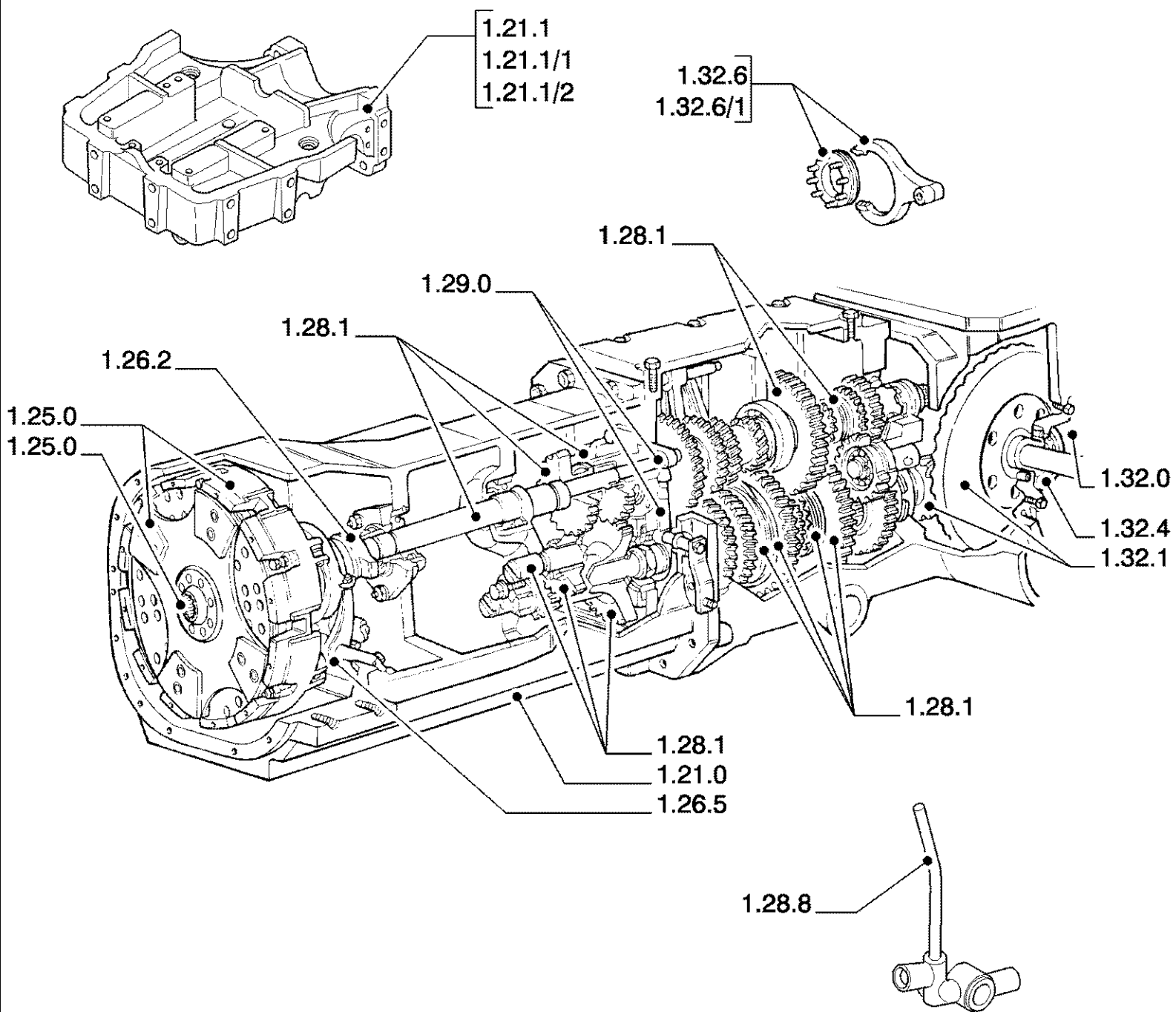
Ref	Onderdeelnummer	Kwt	Beschrijving
1	5175167	1	VASTE BUIS,
2	5175170	1	FLEXIBELE BUIS,
3	13001190	2	SLANGKLEM, D=80-100
4	5138819	1	AANWIJZER,
5	5175168	1	FLEXIBELE BUIS,
6	13001090	1	SLANGKLEM, D=70-90
7	47129297	1	SLEEVE,
8	16043624	1	BOUT, Hex, M8 x 25, 8.8, Full Thd,
9	11193874	1	WASHER, SPRING, Belleville, M8.4,
9	14496504	1	SLUITRING, M8 x 17 x 1.6,
10	13001090	1	SLANGKLEM,
11	13000490	2	SLANGKLEM, D=20-30

1.19.8 TERMOSTARTER



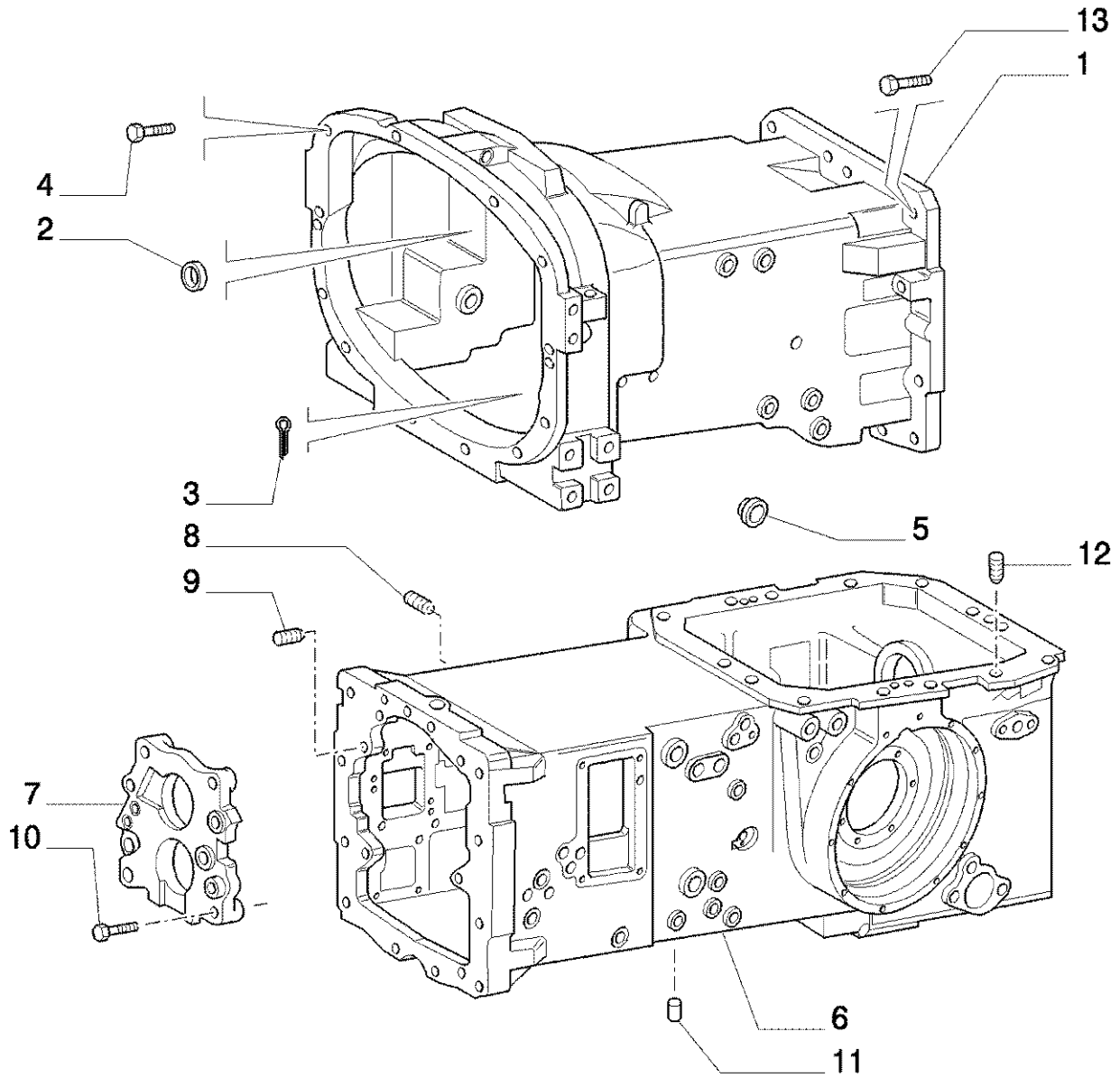
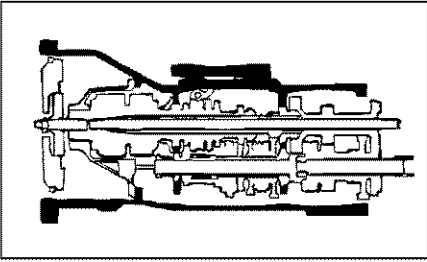
1.19.8 TERMOSTARTER

Ref	Onderdeelnummer	Kwt	Beschrijving
1	5159818	1	VERBINDING,
2	5122009	1	NUT, TUBE, 3/8"-24 UNF-2B
3	5122008	1	KABELDOORGANG,
4	5161845	1	THERMOSTARTER, 12V
5	10263360	1	DICHTRING, M20.3 x 26 x 1,



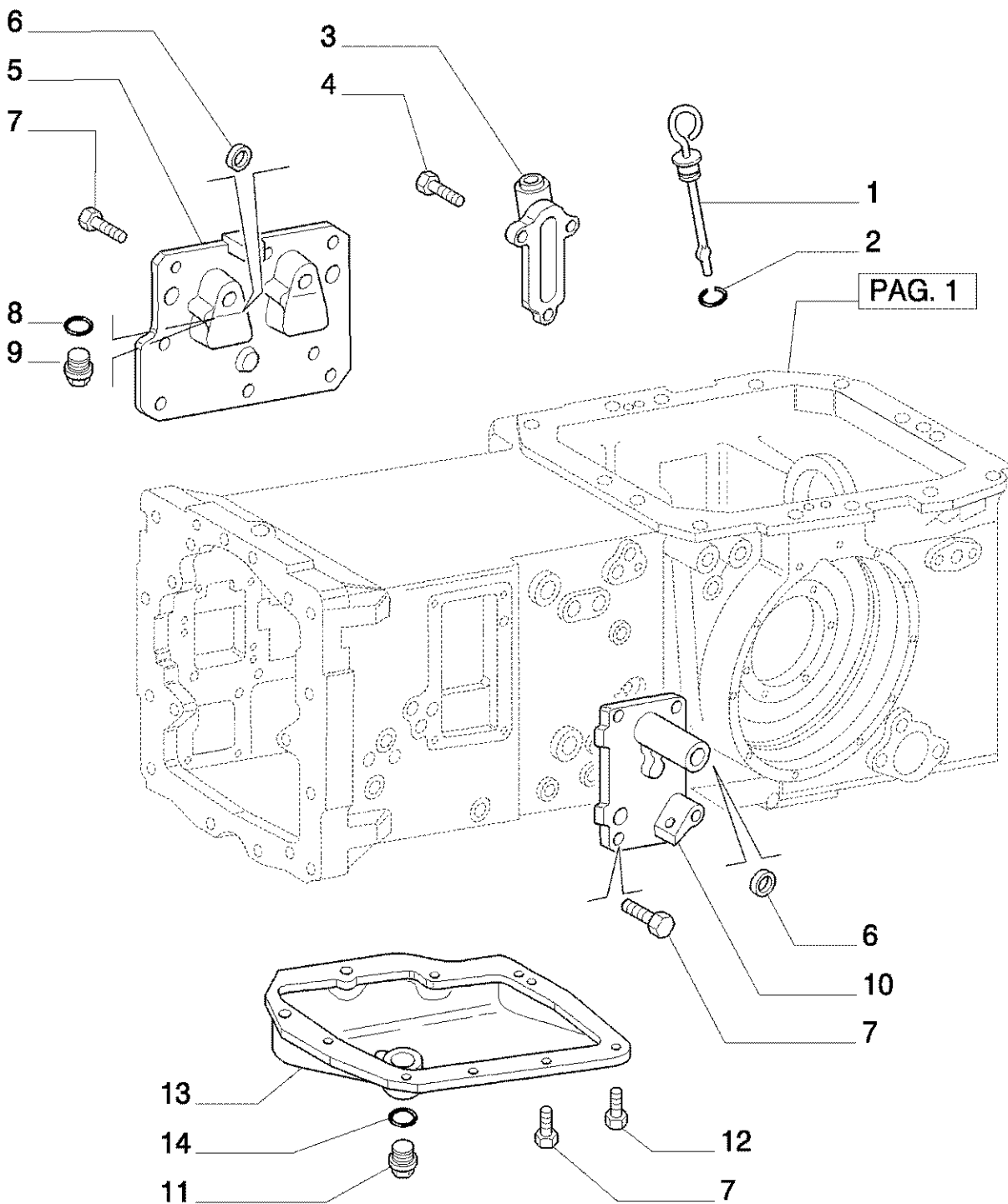
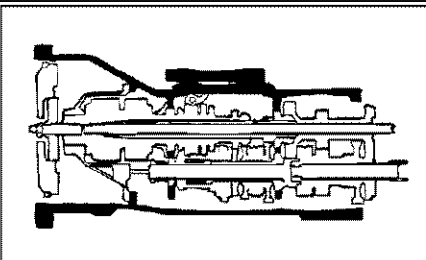
Ref	Onderdeelnummer	Kwt	Beschrijving

1.21.0(01) TREKKERRAAM



1.21.0(01) TREKKERRAAM

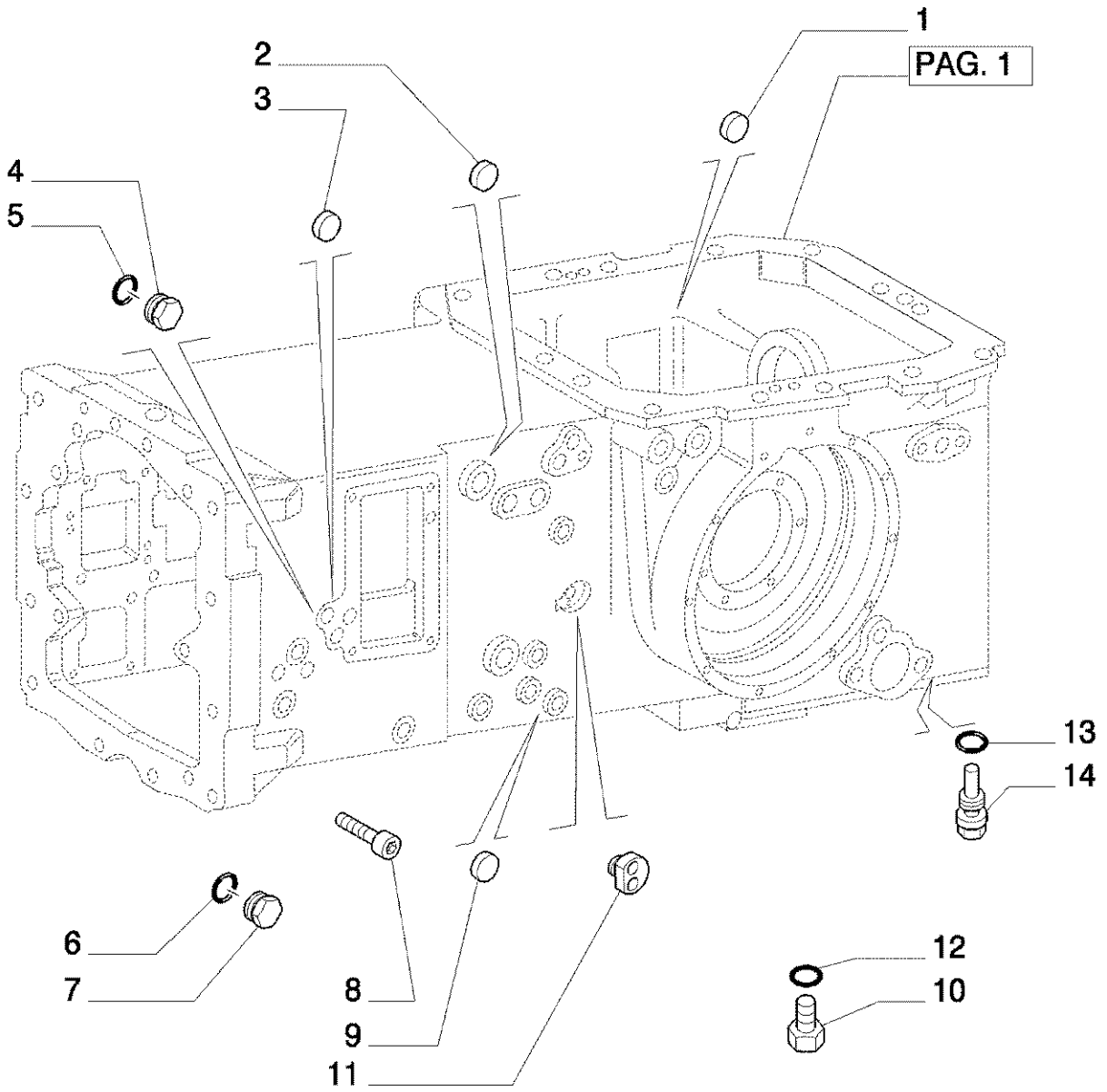
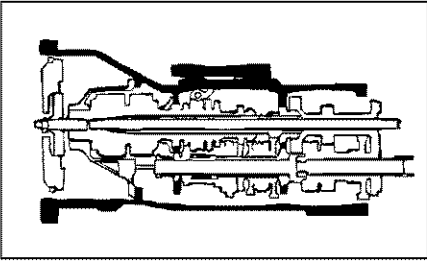
Ref	Onderdeelnummer	Kwt	Beschrijving
1	5178510	1	TANDWIELKAST,
2	5133142	4	LAGERBUS,
3	10798204	1	SPLITPEN, M6.3 x 32,
4	15540734	11	BOUT, Hex, M12 x 1.25 x 45, 10.9,
4	15541031	1	BOUT, Hex, M12 x 1.25 x 60, 10.9,
5	14328601	3	PLUG, M18, Tapered,
6	47123980	1	TRANSMISSIEHUIS, , BSN HJR059223
6	87346023	1	TRANSMISSIEHUIS, , ASN HJR059224
7	5183692	1	DEKSEL,
8	5153109	6	STEL PEN, D=10 x 15
9	4988170	12	STEL PEN, 10x20
10	14331721	1	SCHROEF, Hex Soc Hd, M12 x 1.25 x 60, 8.8,
10	15540924	4	BOUT, Hex, M12 x 1.25 x 55, 8.8,
11	44908048	2	SPANSTIFT, D=16
12	5119529	2	STEL PEN, 15x22
13	15540631	9	BOUT, Hex, M12 x 1.25 x 40, 10.9, Full Thd,
13	14331321	3	SCHROEF, Hex Soc Hd, M12 x 1.25 x 40, 8.8,



1.21.0(02) TREKKERRAAM

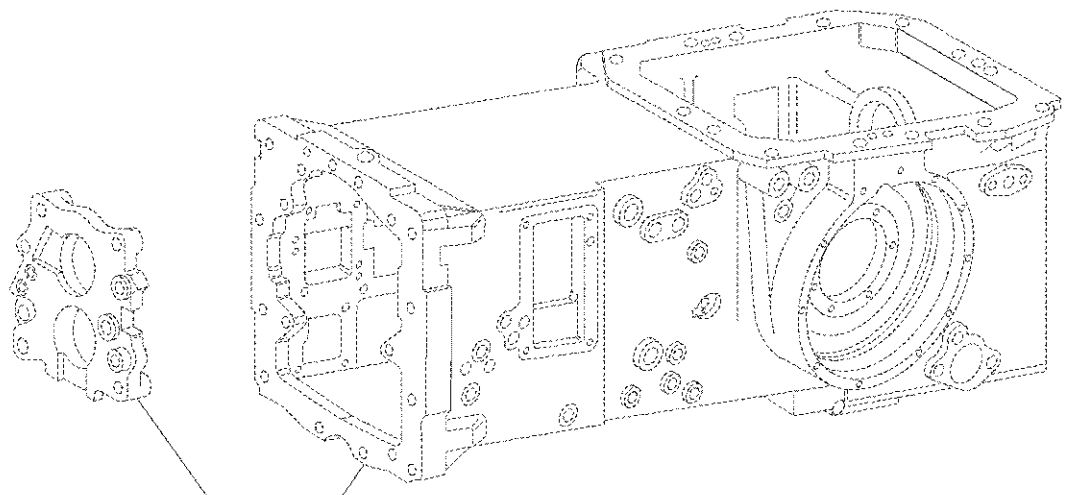
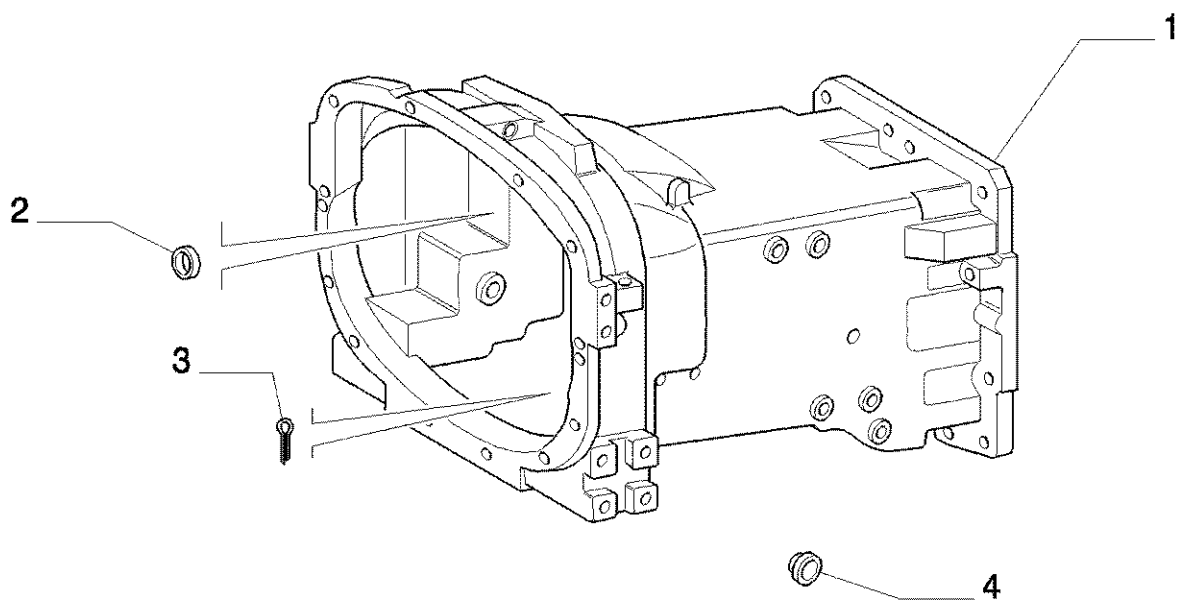
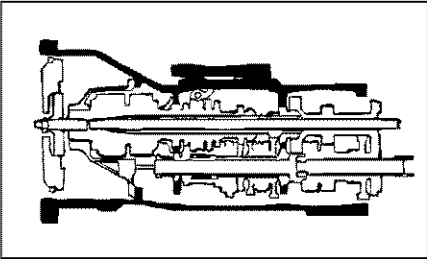
Ref	Onderdeelnummer	Kwt	Beschrijving
1	5182954	1	PEILSTANG,
2	14457980	2	O-RING, -121, 70 Duro, 1.049" ID x .103" Thk,
3	5177062	1	NECK FILLER,
4	14360121	3	SCHROEF, Hex Soc Hd, M10 x 1.25 x 22, 8.8,
5	47130242	1	DEKSEL, , BSN HJR059223
5	87346017	1	DEKSEL, , ASN HJR059224
6	5168241	3	DICHTINGSSTUK,
7	15970724	19	BOUW, Hex, M10 x 1.25 x 25, 8.8, Full Thd, 2WD
8	10261160	3	WASHER, COPPER, M14.2 x 18 x 1.5, Copper,
8	10263460	1	DICHTRING, M22.3 x 28 x 1.5,
8	4858609	1	O-RING, 16x22
9	10300611	2	PLUG, M14 x 1.5 x 14, CI5.8,
9	10300714	1	PLUG, M16 x 1.5 x 14,
9	10305171	1	PLUG, M22 x 1.5 x 21,
10	5168149	1	DEKSEL,
11	5151213	1	PLUG, M35x25, 2WD
12	11288024	1	BOUW, Hex, M10 x 1.25 x 60, 8.8, 2WD
13	5172917	1	DEKSEL, 2WD
14	10265160	1	WASHER, COPPER, M35.4 x 41 x 1.5, Copper,

1.21.0(03) TREKKERRAAM



1.21.0(03) TREKKERRAAM

Ref	Onderdeelnummer	Kwt	Beschrijving
1	14329101	1	PLUG, M30, Tapered,
2	14328701	1	PLUG, M20, Tapered,
3	14328601	2	PLUG, M18, Tapered,
4	10300611	2	PLUG, M14 x 1.5 x 14, CI5.8,
5	10261160	2	WASHER, COPPER, M14.2 x 18 x 1.5, Copper,
6	10259960	1	DICHTRING, M18.3 x 24 x 1.5,
7	10300714	1	PLUG, M16 x 1.5 x 14,
7	10300811	2	PLUG, M18 x 1.5 x 14, CI5.8,
8	13788921	1	KRACHTBRON, Hex Soc, M8 x 8, Flat Pt,
9	14328201	1	PLUG, M10, Tapered, 2WD
10	10119414	1	PLUG, M18 x 1.5 x 16,
11	5171837	1	PLUG,
13	10263460	2	DICHTRING, M22.3 x 28 x 1.5,
14	5118991	2	PLUG, M22
12	14437985	2	O-RING, 15.3MM ID x 2.4 Thk,



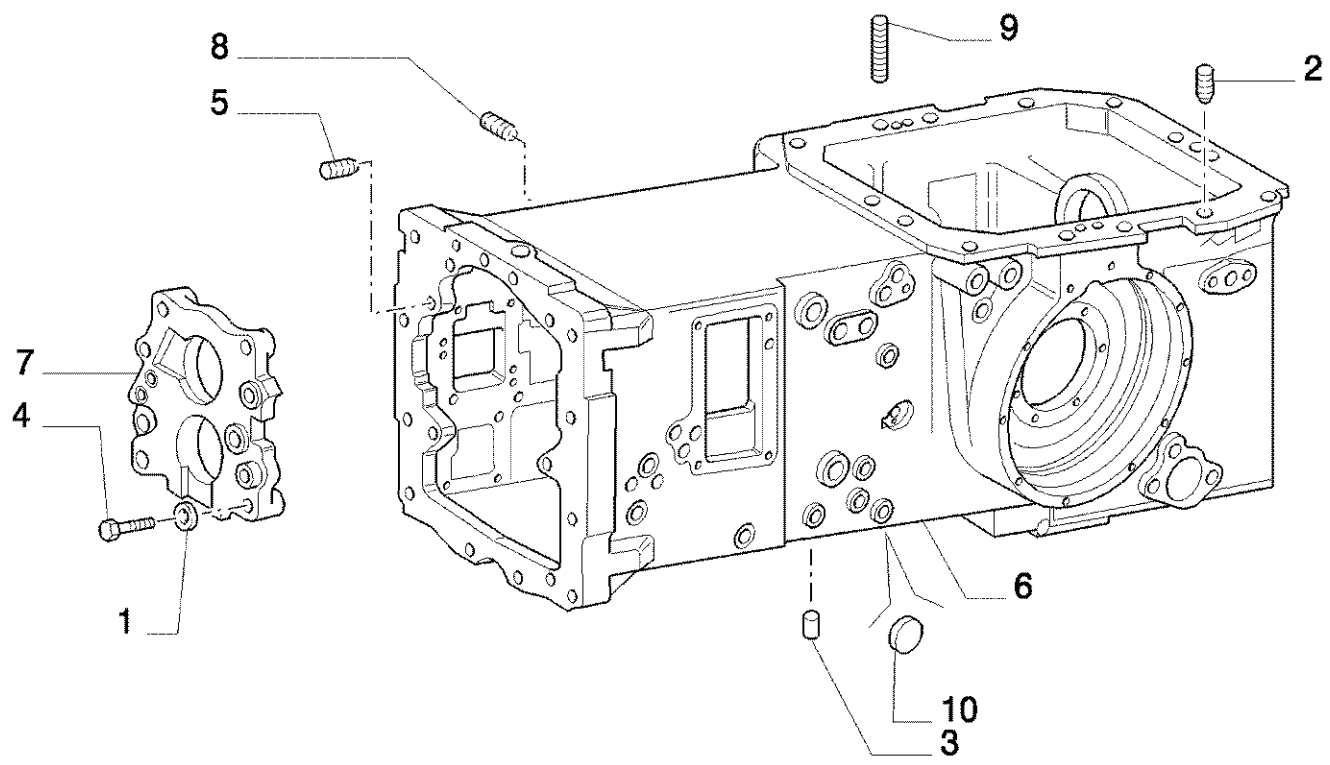
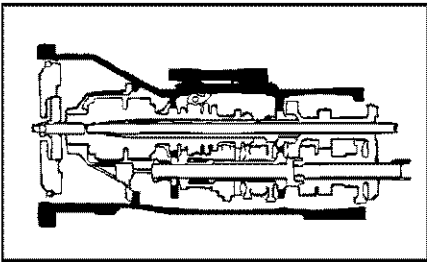
1.21.0



360 KOMPAKT TRACTOR (4/03-) - Transmissie

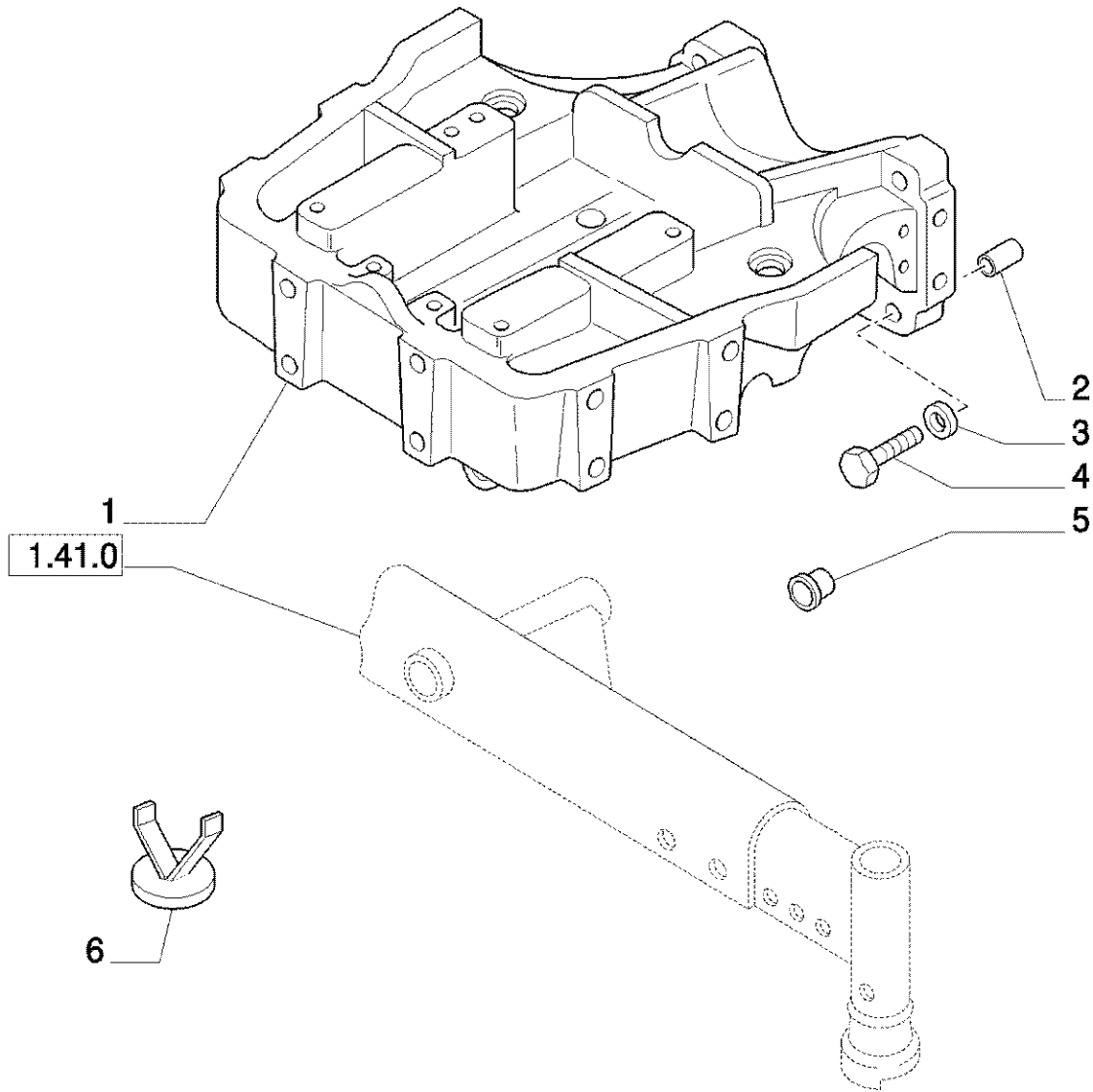
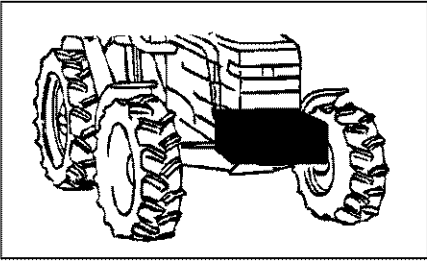
1.21.0/01 (VAR.275-275/1) HI-LO 32X16 (30KM/H) P. SHUTTLE MET WARMTEWISSELAAR - TREKKERRAAM

Ref	Onderdeelnummer	Kwt	Beschrijving
1	5178510	1	TANDWIELKAST,
2	5133142	4	LAGERBUS,
3	10798201	1	SPLITPEN, M6.3 x 32,
4	5171614	2	PLUG, D=27



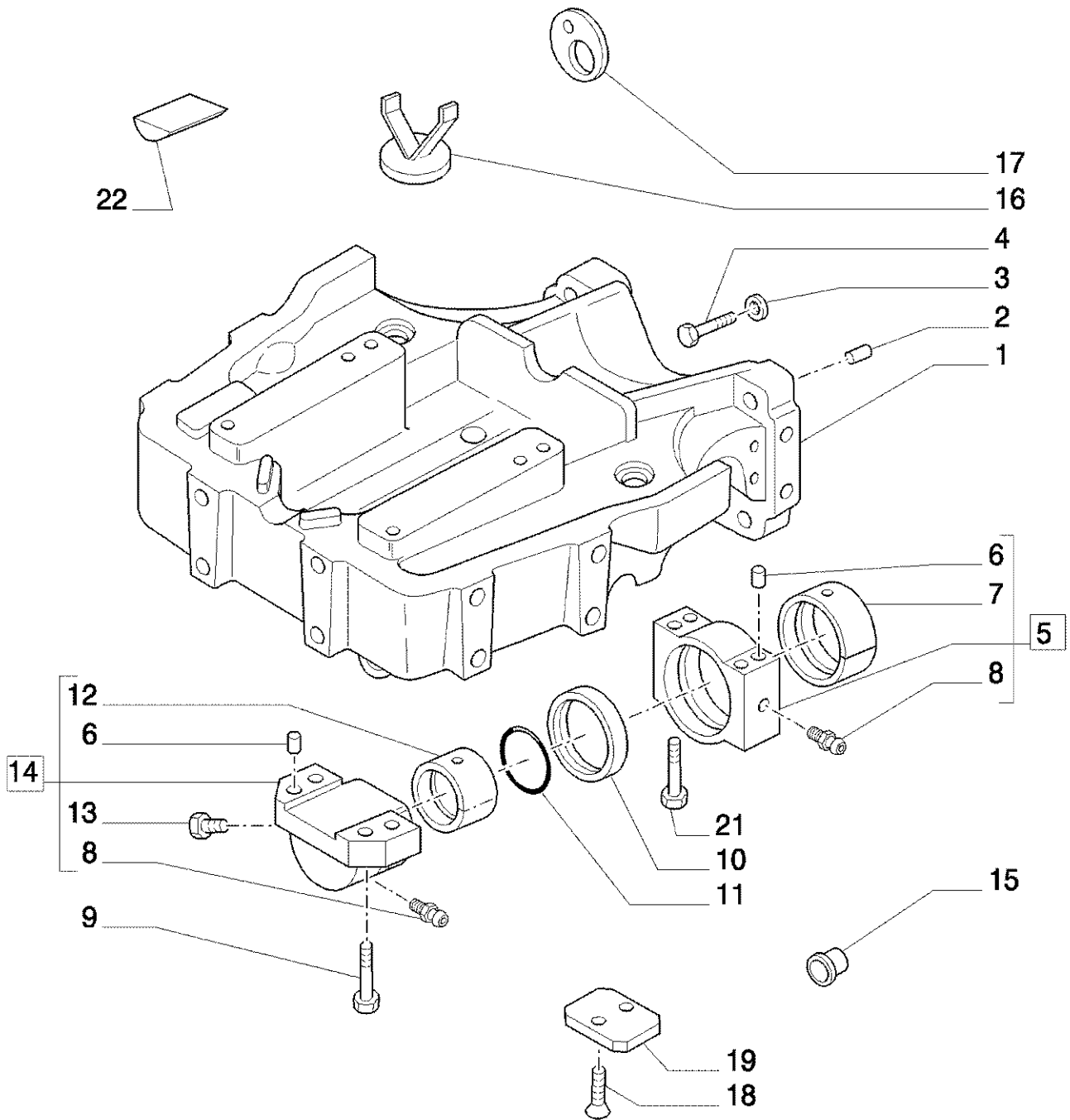
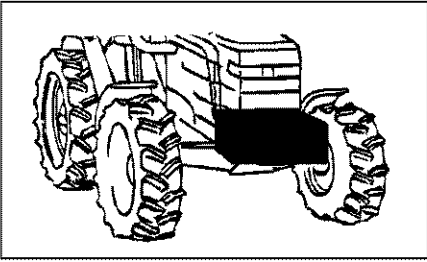
Ref	Onderdeelnummer	Kwt	Beschrijving
1	11190774	1	WASHER, SPRING, Belleville, M13,
2	5119529	2	STEL PEN, 15x22
3	44908048	2	SPANSTIFT, D=16
4	15540924	4	BOUT, Hex, M12 x 1.25 x 55, 8.8,
4	14331721	1	SCHROEF, Hex Soc Hd, M12 x 1.25 x 60, 8.8,
5	4988170	12	STEL PEN, 10x20
6	47123983	1	TRANSMISSIEHUIS, , BSN HJR059223
6	87346027	1	TRANSMISSIEHUIS, , ASN HJR059224
7	5183692	1	DEKSEL,
8	5153109	6	STEL PEN, D=10 x 15
9	5194489	4	SCHROEF, M8
10	14328201	1	PLUG, M10, Tapered,

1.21.1 STEUN - 2WD



1.21.1 STEUN - 2WD

Ref	Onderdeelnummer	Kwt	Beschrijving
1	47131317	1	STEUN,
2	4668595	2	STEL PEN,
3	11191674	4	WASHER, SPRING, Belleville, M19, 18x36
4	15984834	4	BOUT, Hex, M18 x 1.5 x 80, 10.9,
5	5171790	14	PLASTIC PLUG, D=18x12x24
6	5120218	1	RADIATORROOSTER,

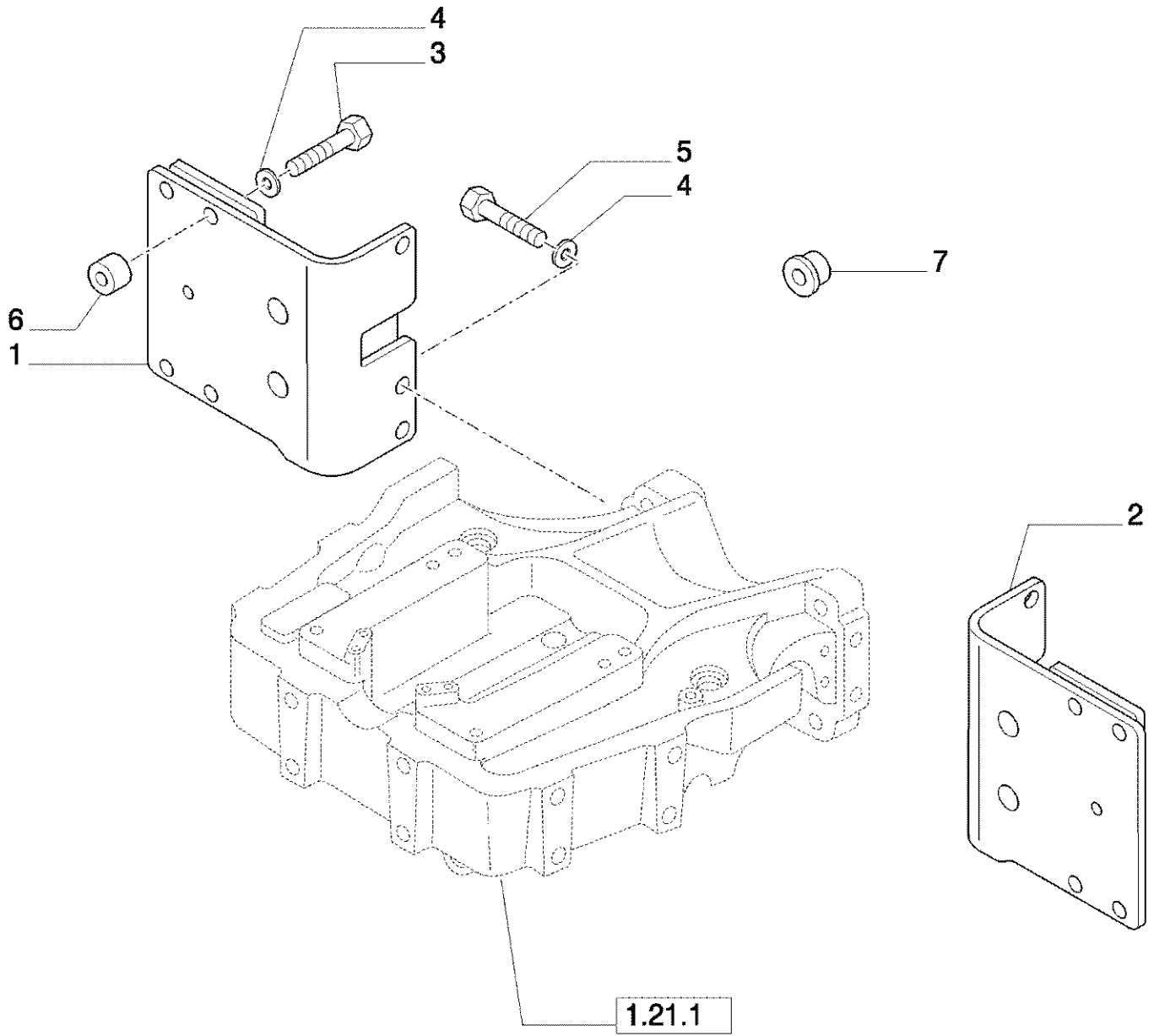
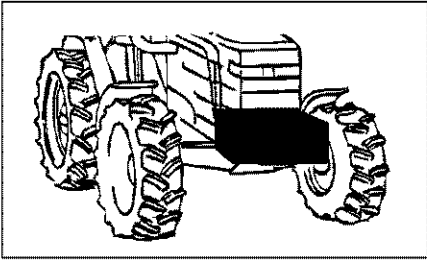


360 KOMPAKT TRACTOR (4/03-) - Transmissie

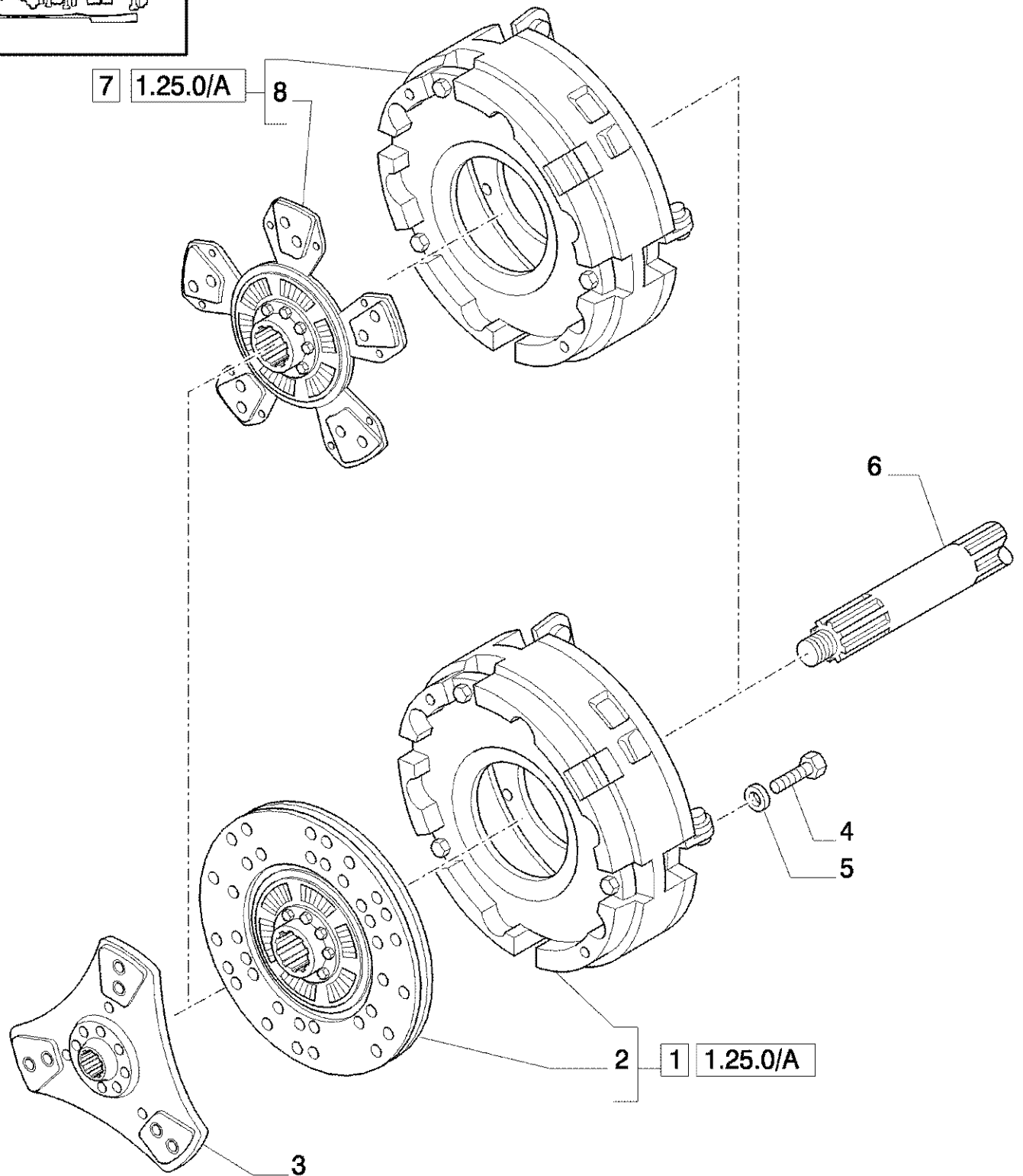
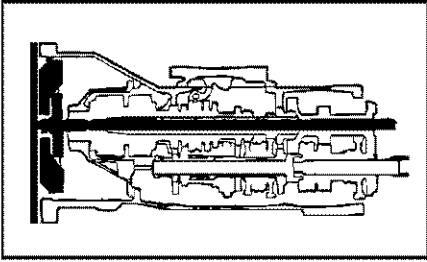
1.21.1/01 STEUN - 4WD

Ref	Onderdeelnummer	Kwt	Beschrijving
1	47131316	1	STEUN,
2	4668595	2	STEL PEN,
3	11191674	4	WASHER, SPRING, Belleville, M19, 18x36
4	15984834	4	BOUT, Hex, M18 x 1.5 x 80, 10.9,
5	47131328	1	STEUN, REAR
6	10837710	2	STEL PEN, M10 x 25,
6	10837810	2	STEL PEN, D=12
7	5129385	1	LAGERBUS,
8	13407211	1	SMEERNIPPEL, M10 x 1, Conico
8	13407811	1	SMEERNIPPEL, 45°
9	14272031	4	SCHROEF, M1x65
10	5188609	2	DICHTINGSSTUK, M99x115x7.5
11	14471380	1	O-RING, -330, 70 Duro, 2.1" ID x .210" Thk,
12	5101112	1	LAGERBUS,
13	13411117	1	OVERDRUKVENTIEL,
14	5140452	1	STEUN, FRONT
15	5171790	16	PLASTIC PLUG, 18x12x24
16	5120218	1	RADIATORROOSTER,
17	5140456	1	RING,
18	82015433	4	SCHROEF, M10x25
19	47131685	2	STEUN,
20	47125763	1	PLUG,
21	14272934	2	BOUT, Hex, M18 x 1.5 x 140,

1.21.1/04 (VAR.489) STEUNBEUGELN VOOR VOORSTE LADER



Ref	Onderdeelnummer	Kwt	Beschrijving
1	87346370	1	RH
2	87346368	1	LH
3	11125131	4	BOUT, Hex, M20 x 70, 10.9,
4	11191879	6	SLUITRING, D=20
5	11121334	2	M20x35
6	87329292	4	40x21x25
7	5171790	8	PLASTIC PLUG, 18x21x24

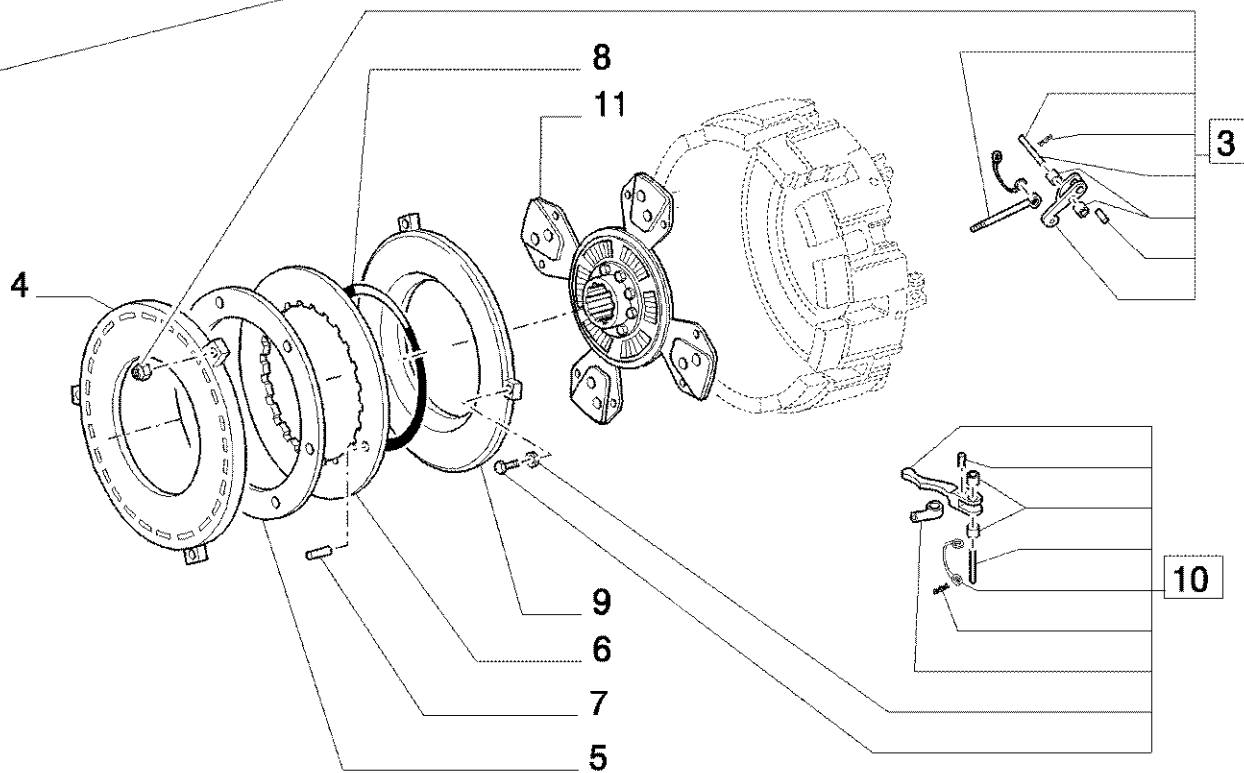
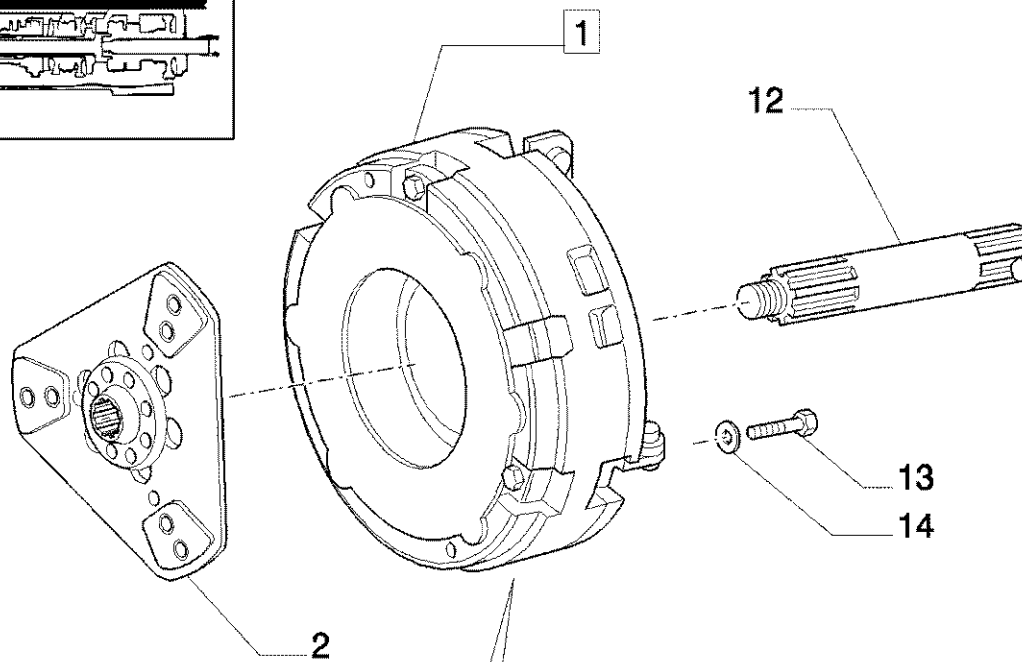
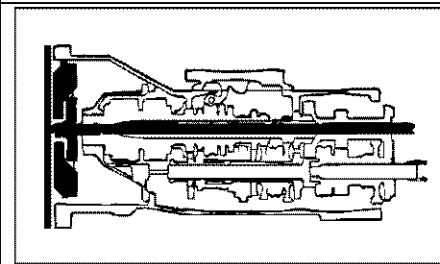


360 KOMPAKT TRACTOR (4/03-) - Transmissie

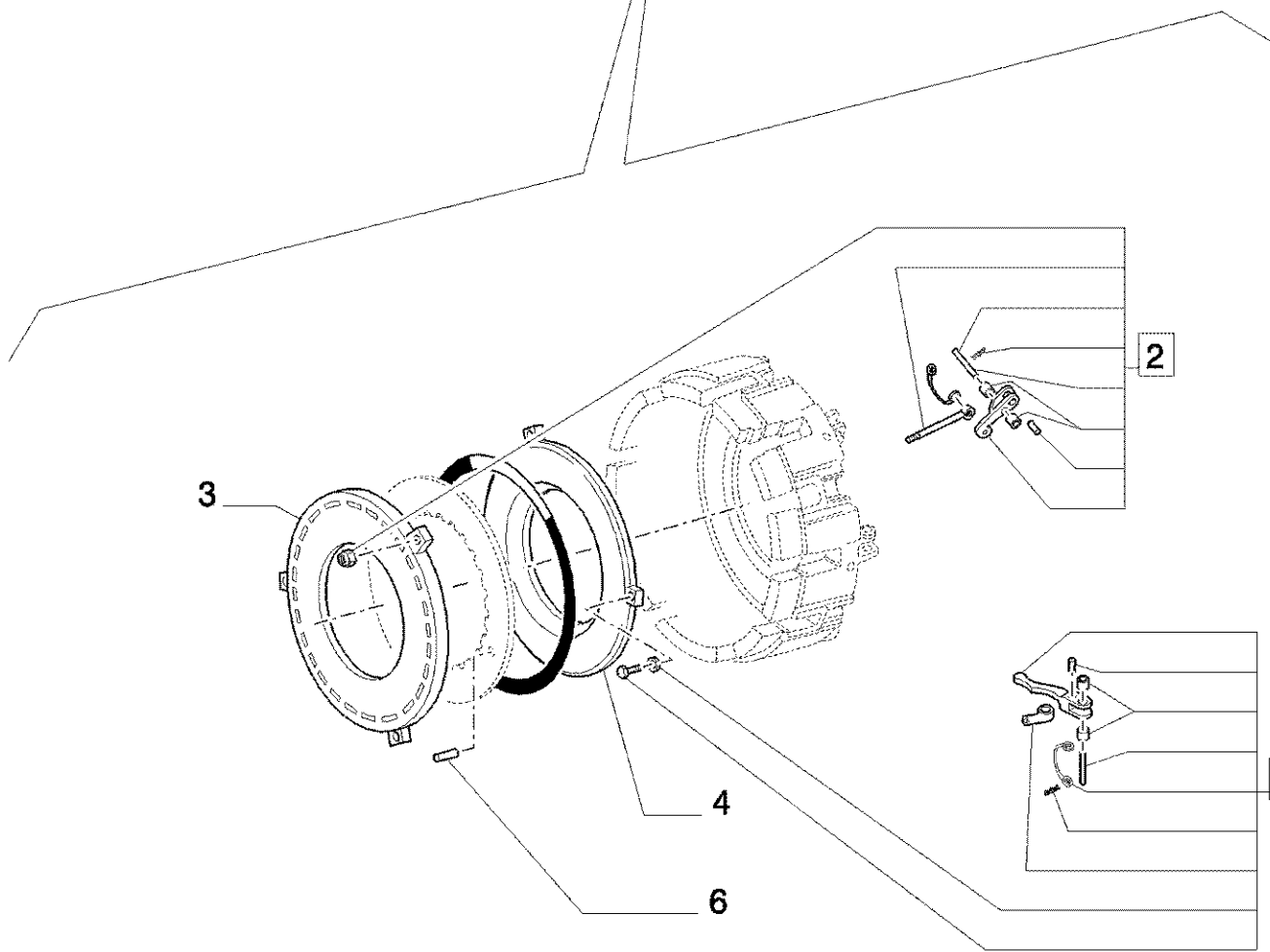
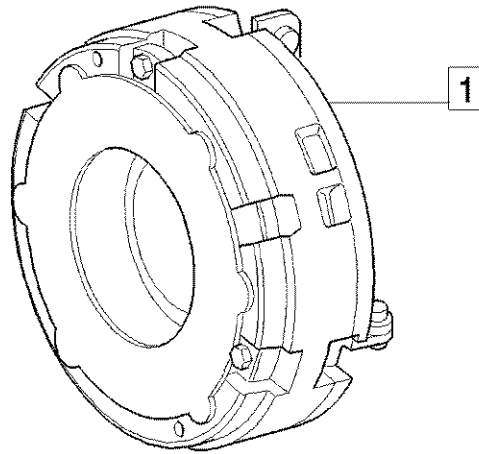
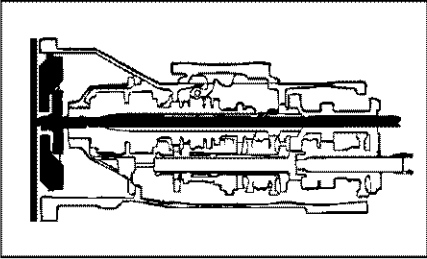
1.25.0(01) KOPPELING - C4941

Ref	Onderdeelnummer	Kwt	Beschrijving
1	5196809	1	KOPPELING, 360
2	5182690	1	KOPPELING, AANDRIJFPLAAT, 360
3	47134882	1	KOPPELING, AANDRIJFPLAAT, PTO
4	16044124	6	BOUT, Hex, M8 x 45, 8.8,
5	11193874	6	WASHER, SPRING, Belleville, M8.4, 8x16
6	5177717	1	AS,
7	5196811	1	KOPPELINGSMECHANISME, 370, 375
8	5196886	1	KOPPELING, AANDRIJFPLAAT, 370, 375

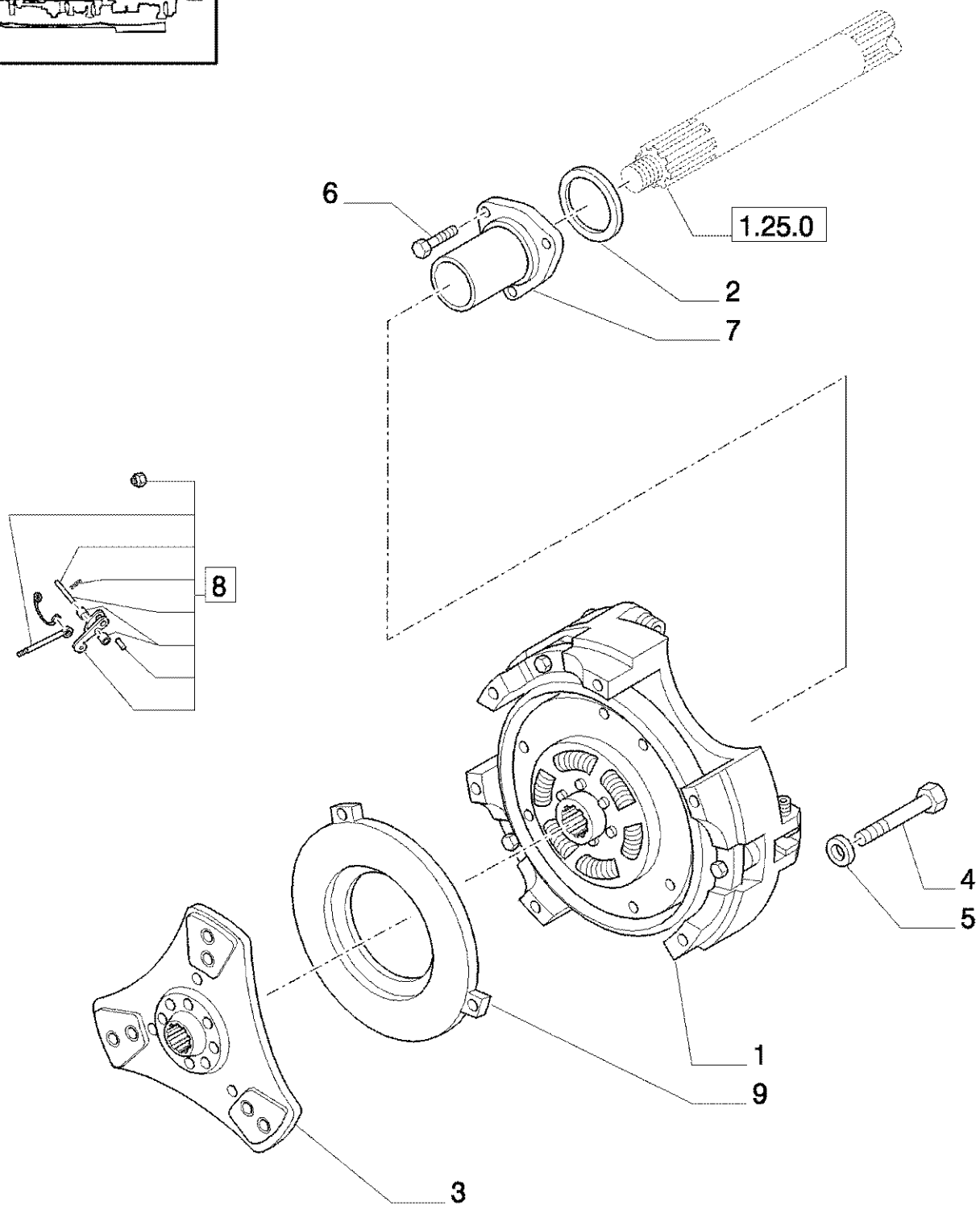
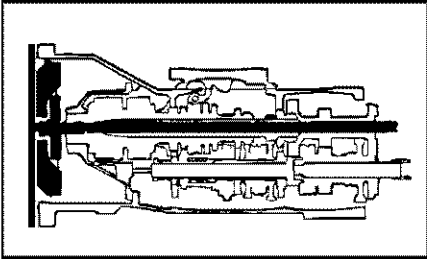
C4941 Serial N.HJE026383 for 360 & HJE027700 for 370, 375



Ref	Onderdeelnummer	Kwt	Beschrijving
1	47134889	1	KOPPELING, ASSY
2	47134882	1	KOPPELING, AANDRIJFPLAAT,
3	47137138	1	KIT,
4	5196792	1	DRUKPLAAT,
5	5196836	1	STEUNBEUGEL,
6	47137139	1	VEER,
7	9919443	1	SPANSTIFT,
8	5196835	1	RING,
9	9968849	1	DRUKPLAAT,
10	47137137	1	KIT,
11	47134890	1	KOPPELING, AANDRIJFPLAAT,
12	5177717	1	AS,
13	16044124	6	BOUT, Hex, M8 x 45, 8.8,
14	11193874	6	WASHER, SPRING, Belleville, M8.4, D=8

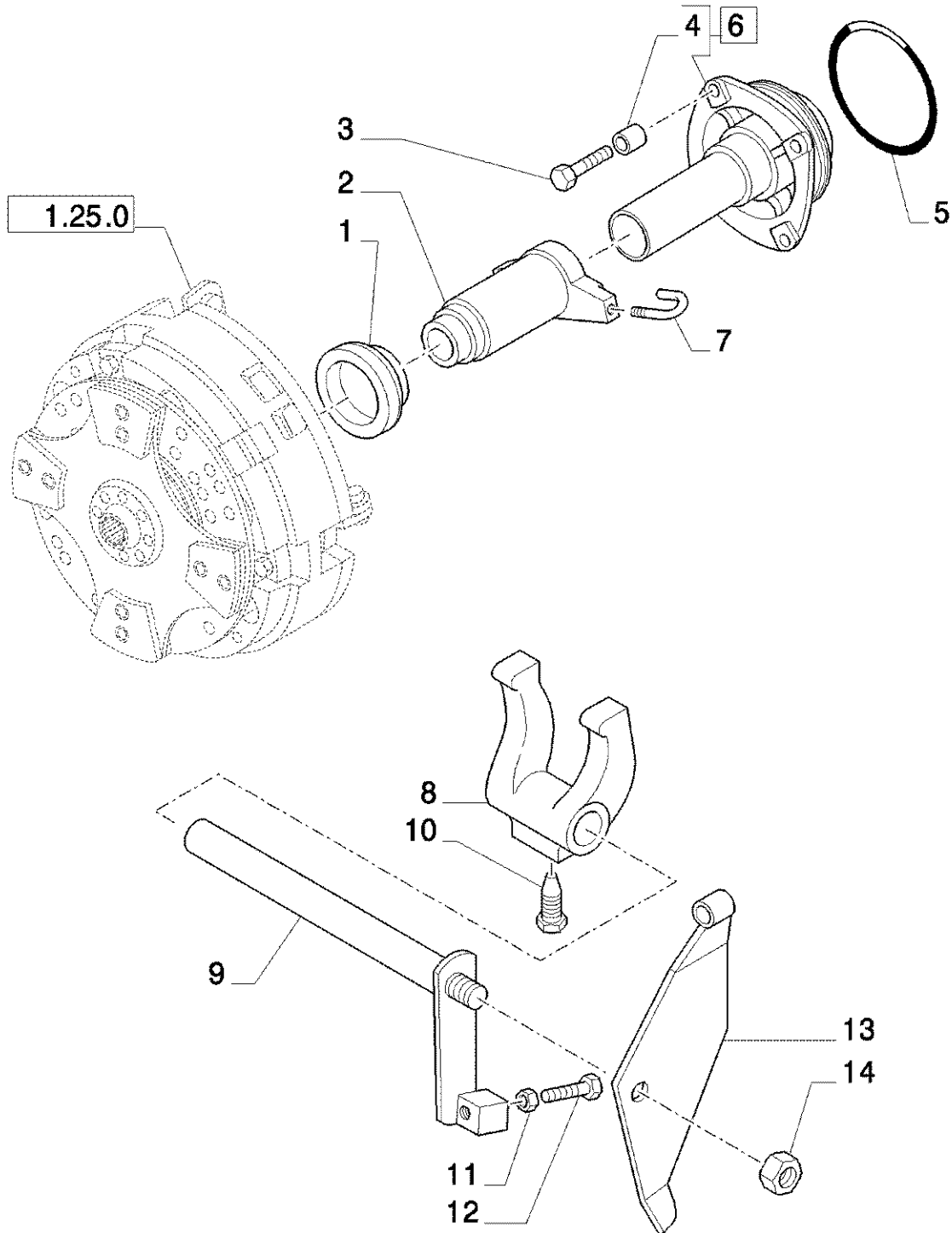
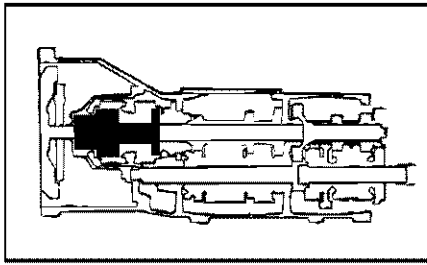


Ref	Onderdeelnummer	Kwt	Beschrijving
1	5196809	1	KOPPELING, ASSY, 11"/11", LUK, 360
1	5196811	1	KOPPELINGSMECHANISME, ASSY, 11"/11", LUK, 370, 375
2	5196832	1	KIT,
3	5196792	1	DRUKPLAAT,
4	9968849	1	DRUKPLAAT,
5	9968850	1	KIT,
6	9919443	1	SPANSTIFT,



Ref	Onderdeelnummer	Kwt	Beschrijving
1	5196770	1	KOPPELINGSMECHANISME, INCL.8,9, 360, -C4941
1	47123372	1	KOPPELING, INCL.8,9, 370, 375, -C4941
1	47134884	1	KOPPELING, INCL.8,9, 360, D4941-
1	47134886	1	KOPPELING, INCL.8,9, 370, 375, D4941-
2	14461080	1	O-RING, -152, 70 Duro, 3.237" ID x .103" Thk,
3	47134882	1	KOPPELING, AANDRIJFPLAAT, PTO
4	16044124	6	BOUT, Hex, M8 x 45, 8.8,
5	11193874	6	WASHER, SPRING, Belleville, M8.4, 8x16
6	16043624	3	BOUT, Hex, M8 x 25, 8.8, Full Thd,
7	5177143	1	DEKSEL,
8	5196791	1	KIT, , -C4941
8	47137136	1	KIT, , D4941-
9	5196792	1	DRUKPLAAT,

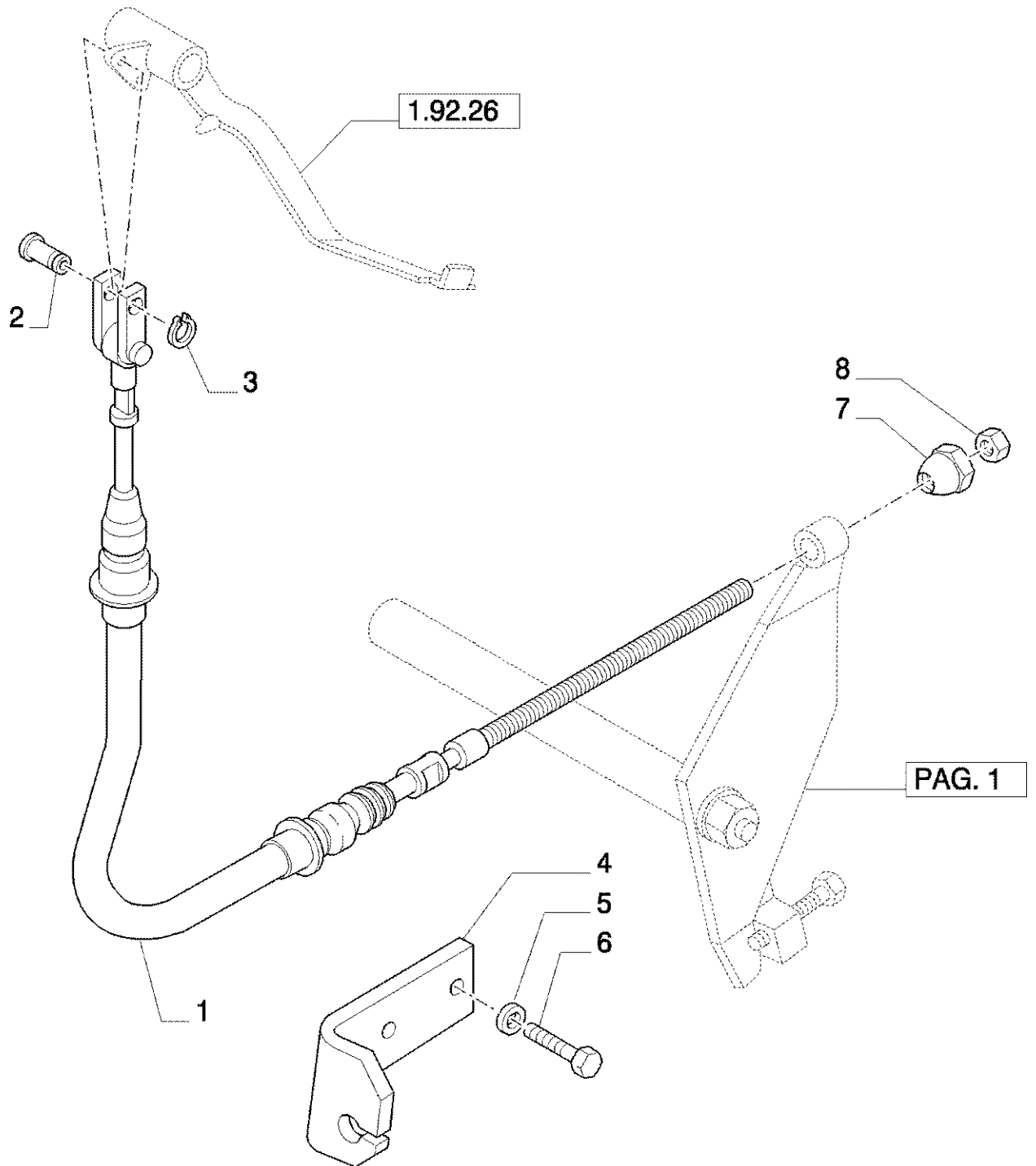
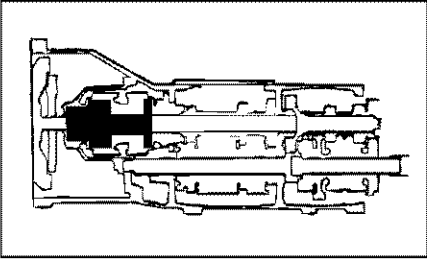
1.26.2(01) HENDELS EN TREKTANGEN



360 KOMPAKT TRACTOR (4/03-) - Transmissie

1.26.2(01) HENDELS EN TREKTANGEN

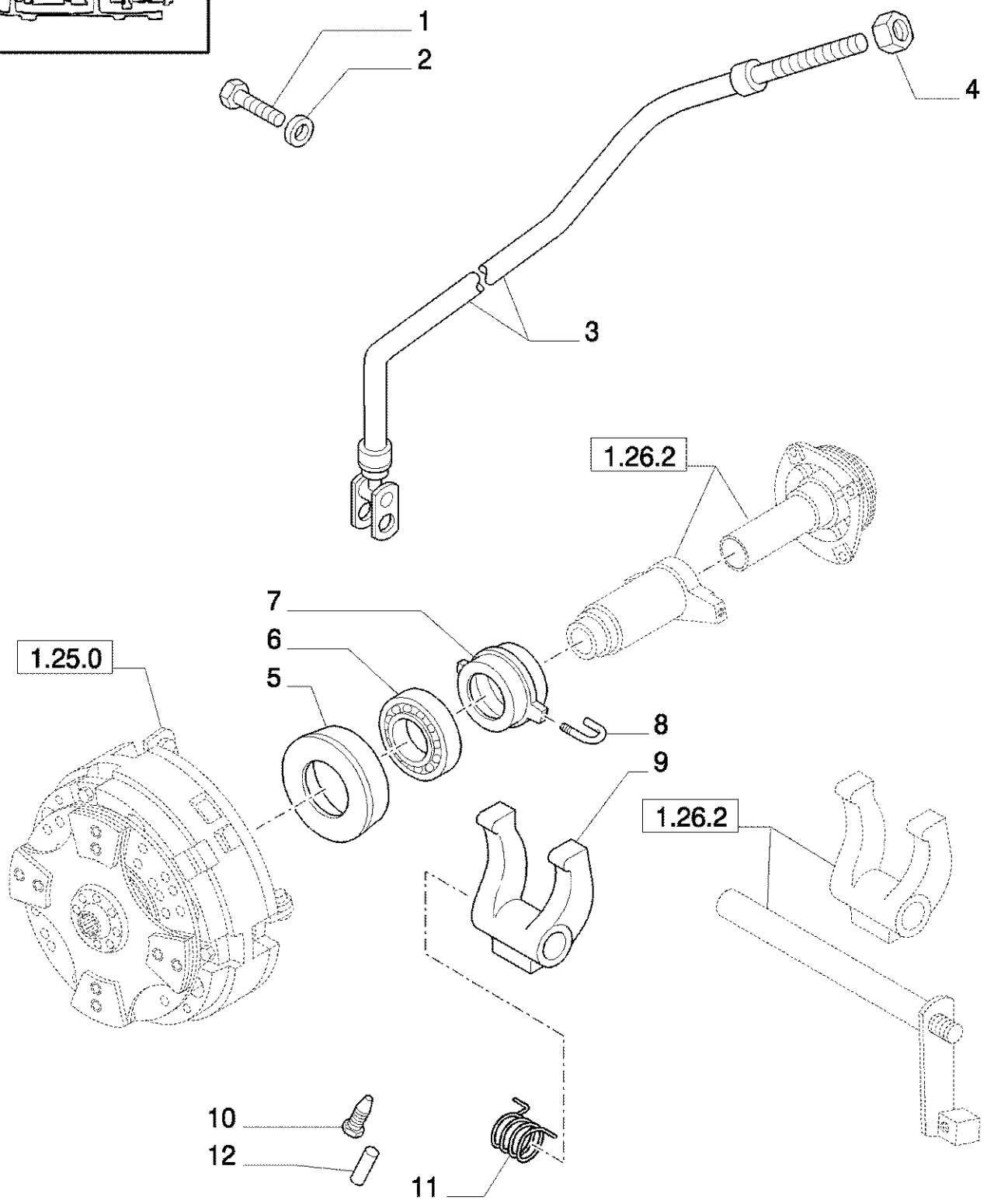
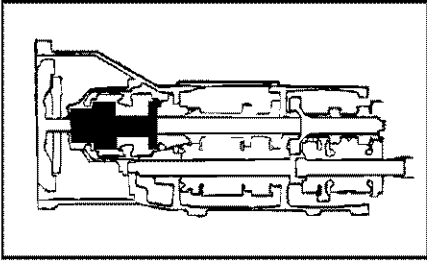
Ref	Onderdeelnummer	Kwt	Beschrijving
1	87345759	1	LAGER, DRUKKOPPELING, 50 x 80 x 22
2	5171609	1	SLEEVE,
3	16043624	1	BOUT, Hex, M8 x 25, 8.8, Full Thd,
4	5168157	2	LAGERBUS,
5	14462281	1	O-RING, -164, CI 7, 6.237" ID x .103" Thk,
6	5174545	1	DEKSEL,
7	44011615	2	VEER,
8	5172487	1	VORK,
9	5178026	1	HEFBOOM,
10	4968813	1	SCHROEF, M16x32
11	10791024	1	MOER, Thin, M10 x 1.25, CI 05,
12	15232021	1	BOUT, Hex, M10 x 1.25 x 80, 8.8, Full Thd, M10x80
13	5170984	1	HEFBOOM,
14	10791411	1	MOER, Thin, M16 x 1.5, CI 04,



1.26.2(02) HENDELS EN TREKTANGEN

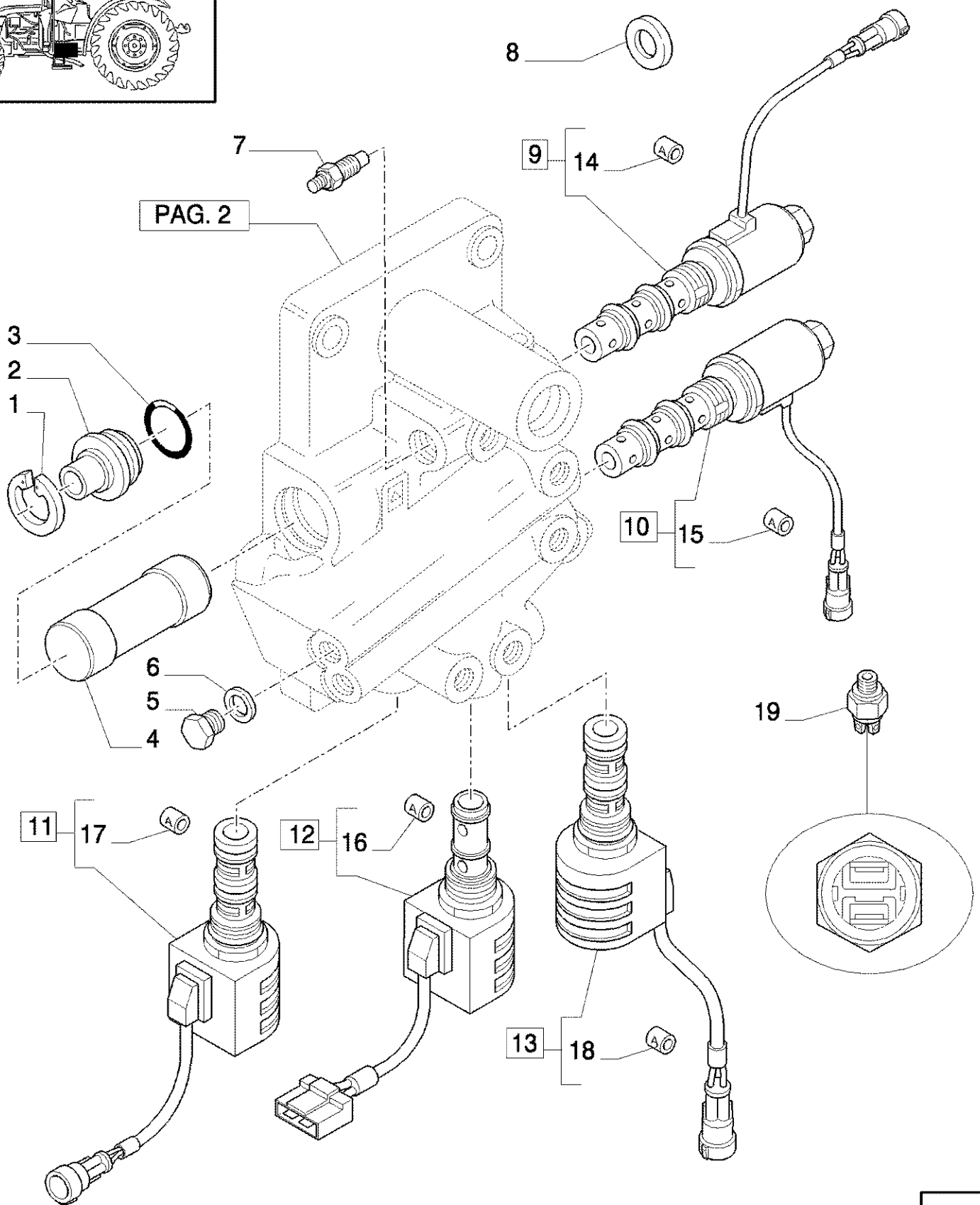
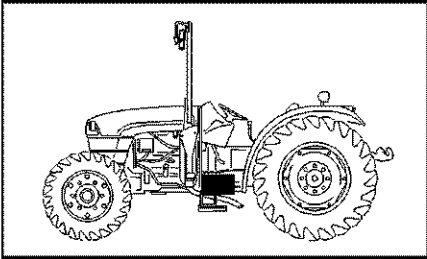
Ref	Onderdeelnummer	Kwt	Beschrijving
1	5174885	1	KABEL,
2	4998010	1	PEN,
3	11063974	1	KLEM,
4	5174886	1	STEUNBEUGEL,
5	11193974	2	WASHER, SPRING, Belleville, M8.4, 8x22
6	16043424	2	BOUT, Hex, M8 x 20, 8.8, Full Thd,
7	5168139	1	PAKKINGMOER,
8	5179011	1	PLUG,

1.26.5 KOPPELING TRANSMISSIE KRACHTAFNAME



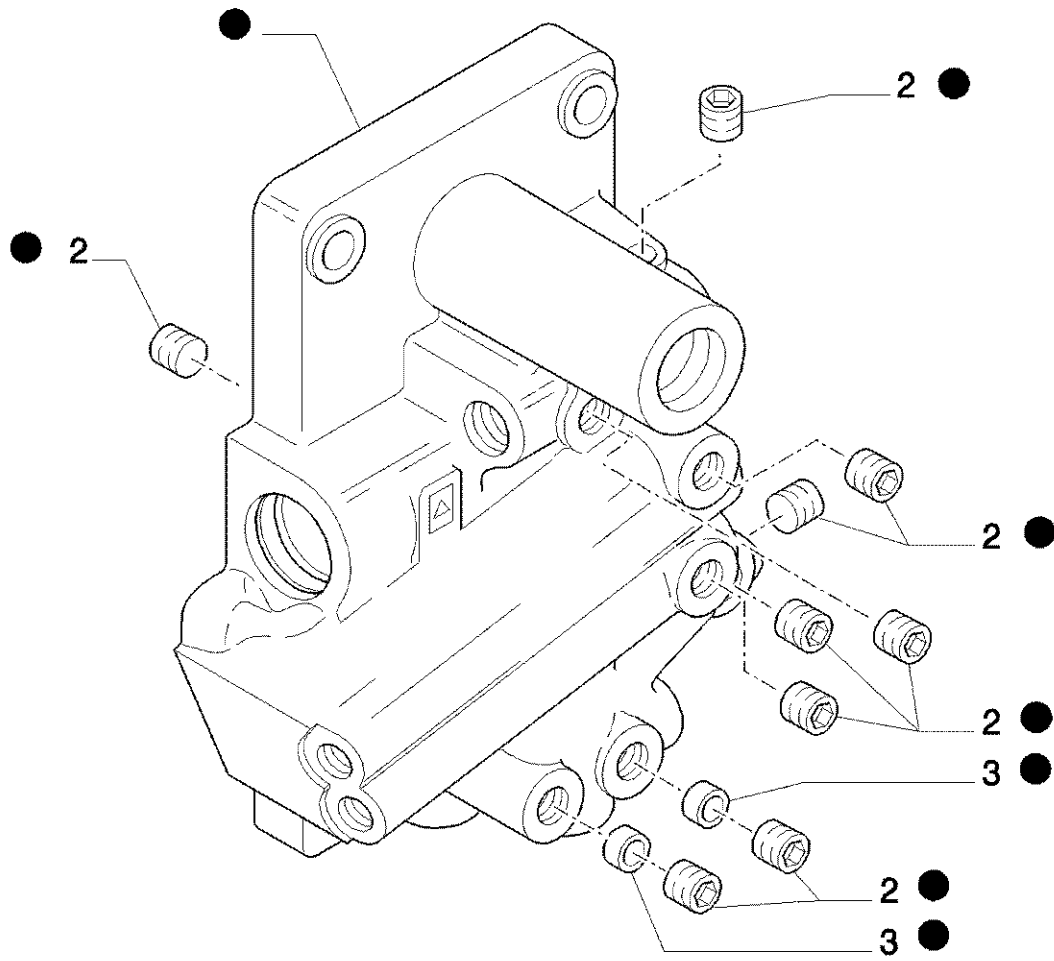
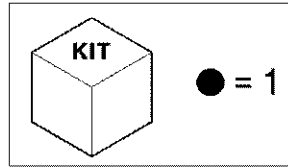
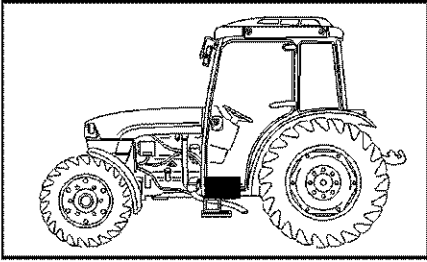
1.26.5 KOPPELING TRANSMISSIE KRACHTAFNAME

Ref	Onderdeelnummer	Kwt	Beschrijving
1	16043124	3	BOUT, Hex, M8 x 14, 8.8, Full Thd,
2	11193974	3	WASHER, SPRING, Belleville, M8.4, 8x22
3	47123120	1	KABEL,
5	5167182	1	SPANKRAAG,
6	47127081	1	LAGER, KOGEL, 75x115x20
7	5191807	1	SLEEVE,
8	44011615	2	VEER,
9	5172487	1	VORK,
10	4968813	1	SCHROEF, M16x32
11	5189889	1	VEER,
12	86977791	1	SLUITPEN, M8 x 45, Slotted,
4	15896221	2	MOER, M6, CI 10,

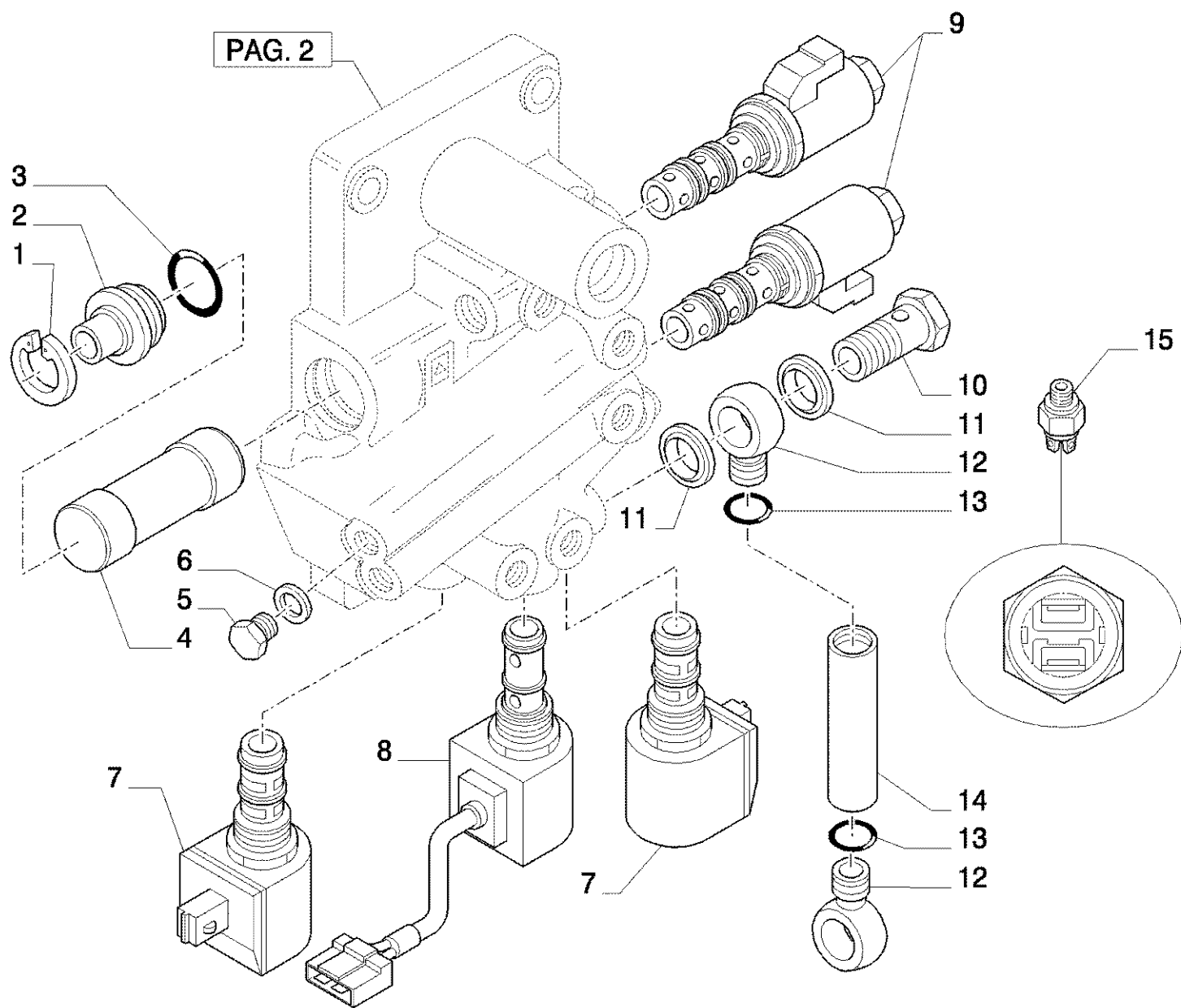
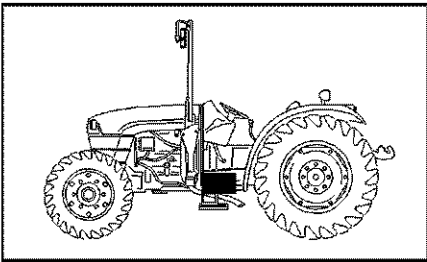


Ref	Onderdeelnummer	Kwt	Beschrijving
1	80301644	1	RING, SNAP,
2	5176167	1	PLUG,
3	14457681	1	O-RING, -118, CI 7, .862" ID x .103" Thk, (M21.89 ID x 2.62 Thk)
4	47126471	1	ZUIGER,
5	11903011	2	PLUG, M10 x 1 x 11, CI5.8,
6	10284460	2	WASHER, COPPER, M10.2 x 16 x 1.5, Copper,
7	82028133	1	ZENDER,
8	10260160	1	DICHTRING, M10.2 x 14 x 1,
9	5192046	1	ELECTROKLEP,
10	5192047	1	ELECTROKLEP,
11	5192045	1	ELECTROKLEP,
12	5178946	1	ELECTROKLEP,
13	5192044	1	ELECTROKLEP,
14	47129194	1	RING, A
15	47129195	1	RING, B
16	47129196	1	RING, D
17	47129197	1	RING, F
18	47129198	1	RING, R
19	82030730	1	DRUKSCHAKELAAR,

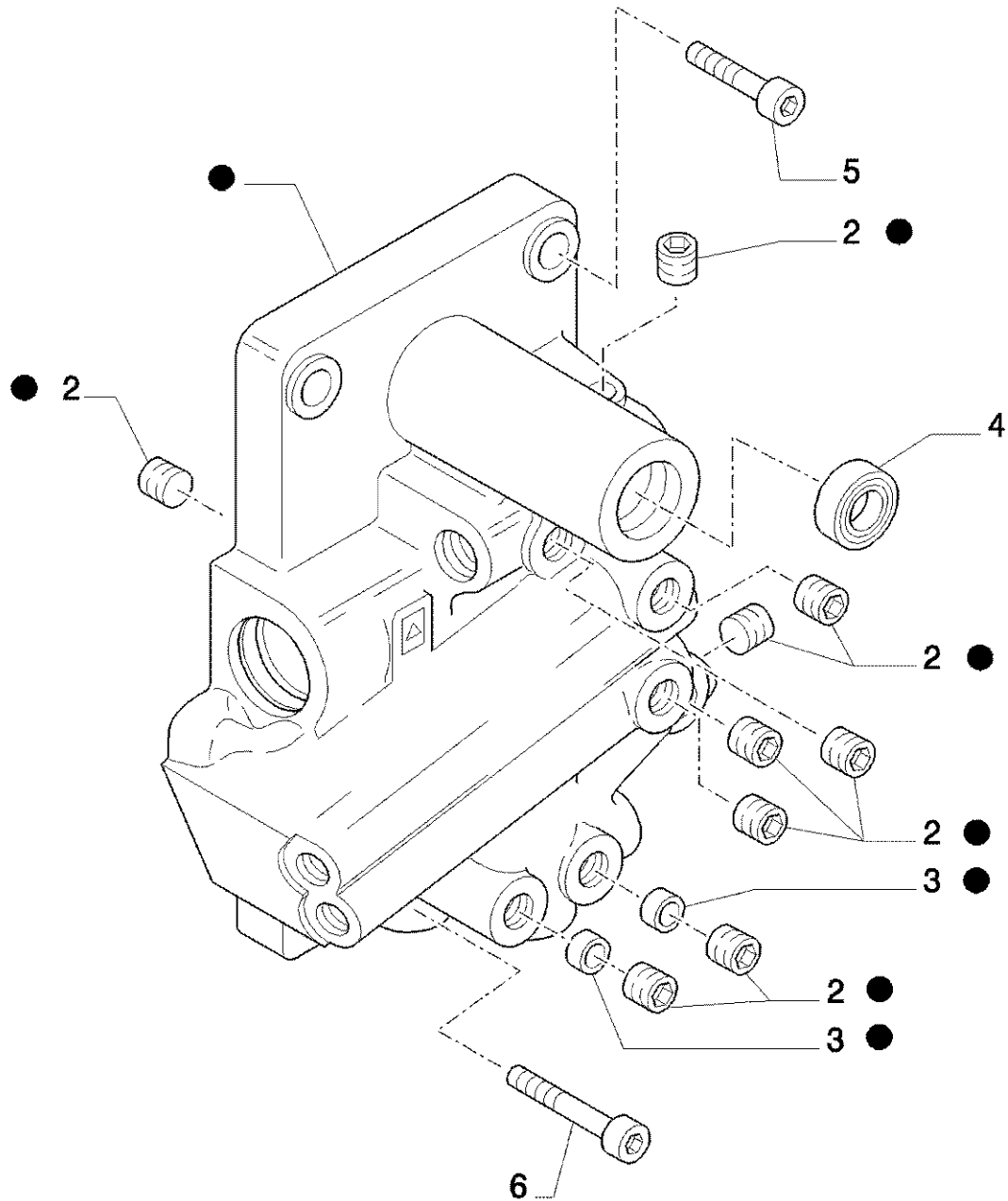
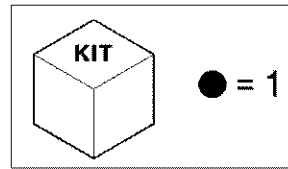
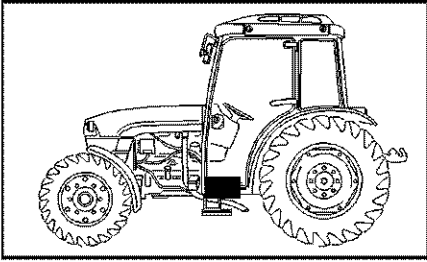
1.27.3(02) (VAR.445) INRICHTING RIJSTVELD VOOR POWER SHUTTLE & HI-LO - DEKSEL EN DOPPEN



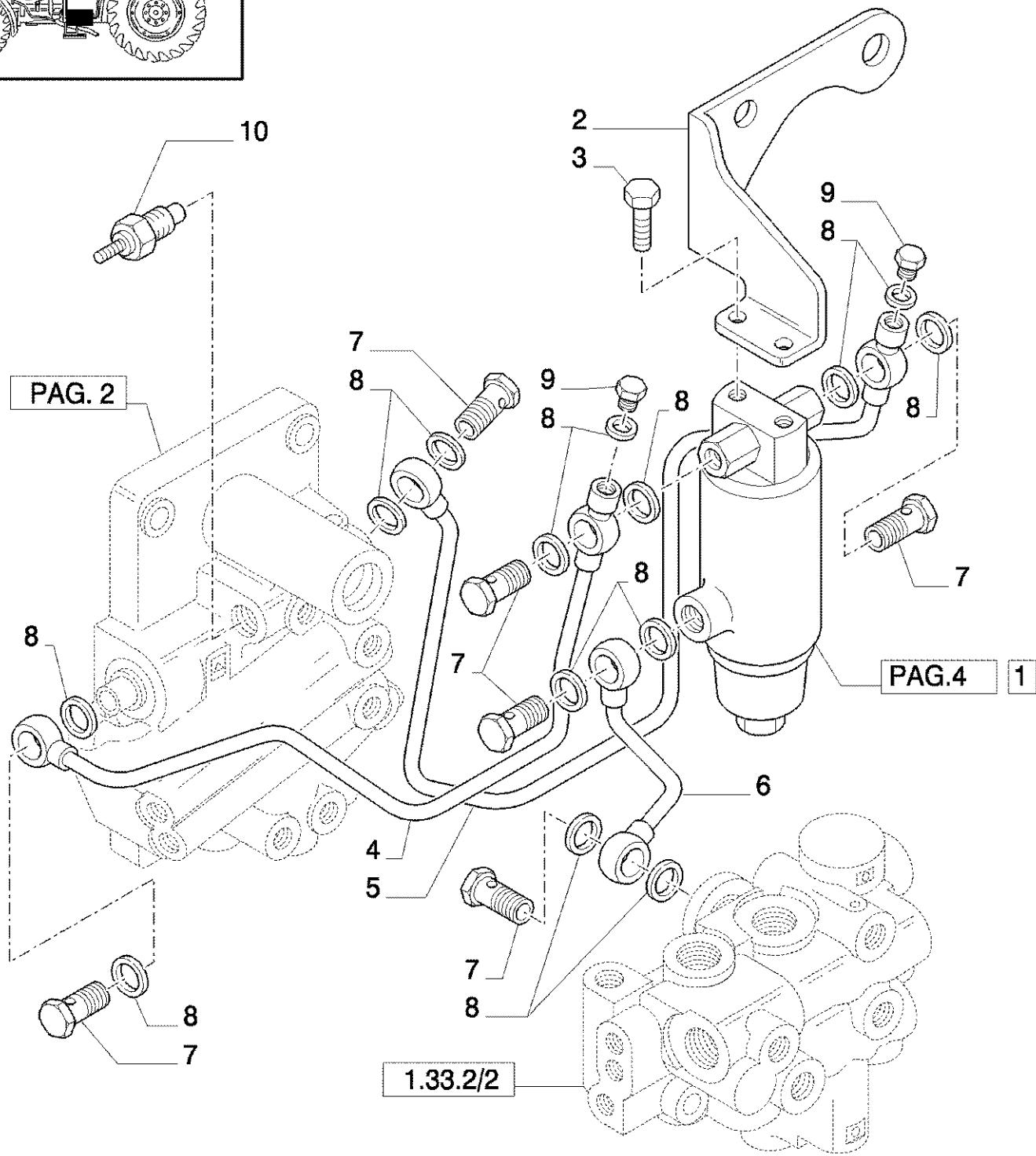
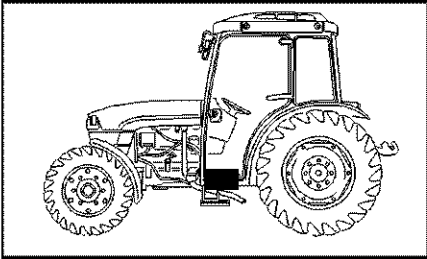
Ref	Onderdeelnummer	Kwt	Beschrijving
1	47126468	1	DEKSEL,
2	14326004	9	PLUG, M10 x 1.25
3	5173959	2	VERBINDING,



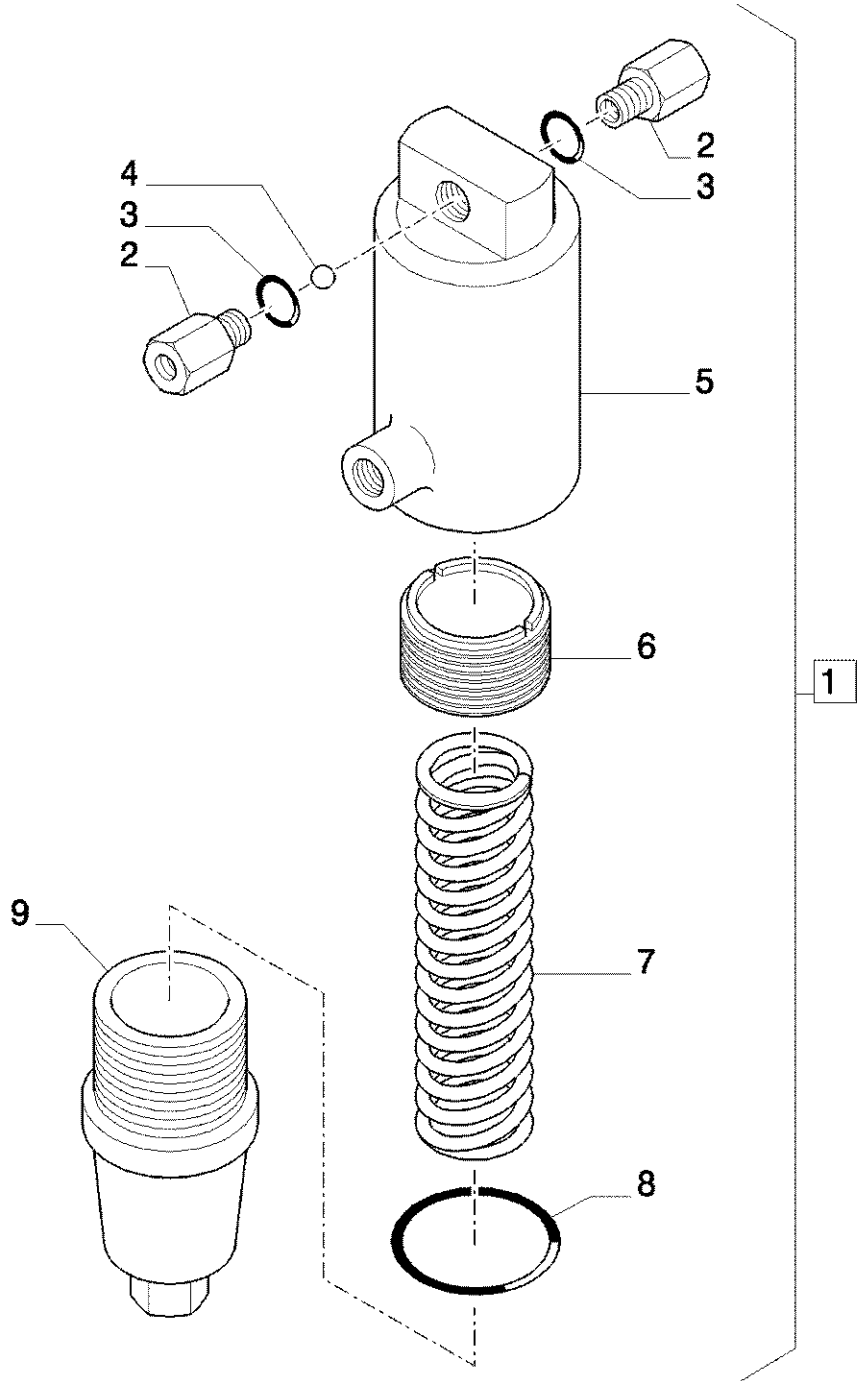
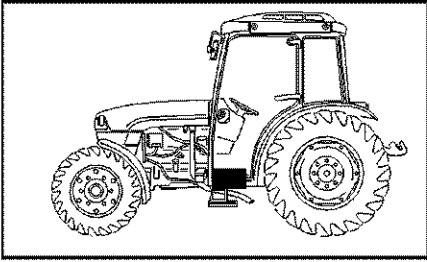
Ref	Onderdeelnummer	Kwt	Beschrijving
1	11058876	1	RING, SNAP, M30, Int, 32.1x1.2
2	5176167	1	PLUG,
3	14457681	1	O-RING, -118, CI 7, .862" ID x .103" Thk, (M21.89 ID x 2.62 Thk)
4	47126471	1	ZUIGER,
5	11903011	2	PLUG, M10 x 1 x 11, CI5.8,
6	10260960	2	WASHER, COPPER, M10.2 x 14 x 1.5, Copper,
7	5168052	2	ELECTROKLEP,
8	82008511	1	ELECTROKLEP,
9	87537516	2	ELECTROKLEP,
10	5188580	1	VERBINDINGSBOUT, M18x34
11	5167640	3	DICHTRING, 18x24
12	5173682	2	RING,
13	14456981	2	O-RING, -111, CI 7, .424" ID x .103" Thk,
14	5173681	1	VASTE BUIS,
15	82030730	1	DRUKSCHAKELAAR,



Ref	Onderdeelnummer	Kwt	Beschrijving
1	47126468	1	DEKSEL,
2	14326004	9	PLUG, M10 x 1.25
3	5173959	2	VERBINDING,
4	14329801	1	PLUG, M32, Tapered,
5	14307624	2	SCHROEF, Hex Soc Hd, M10 x 1.25 x 35, 8.8,
6	14307821	2	SCHROEF, Hex Soc Hd, M10 x 1.25 x 45, 8.8,

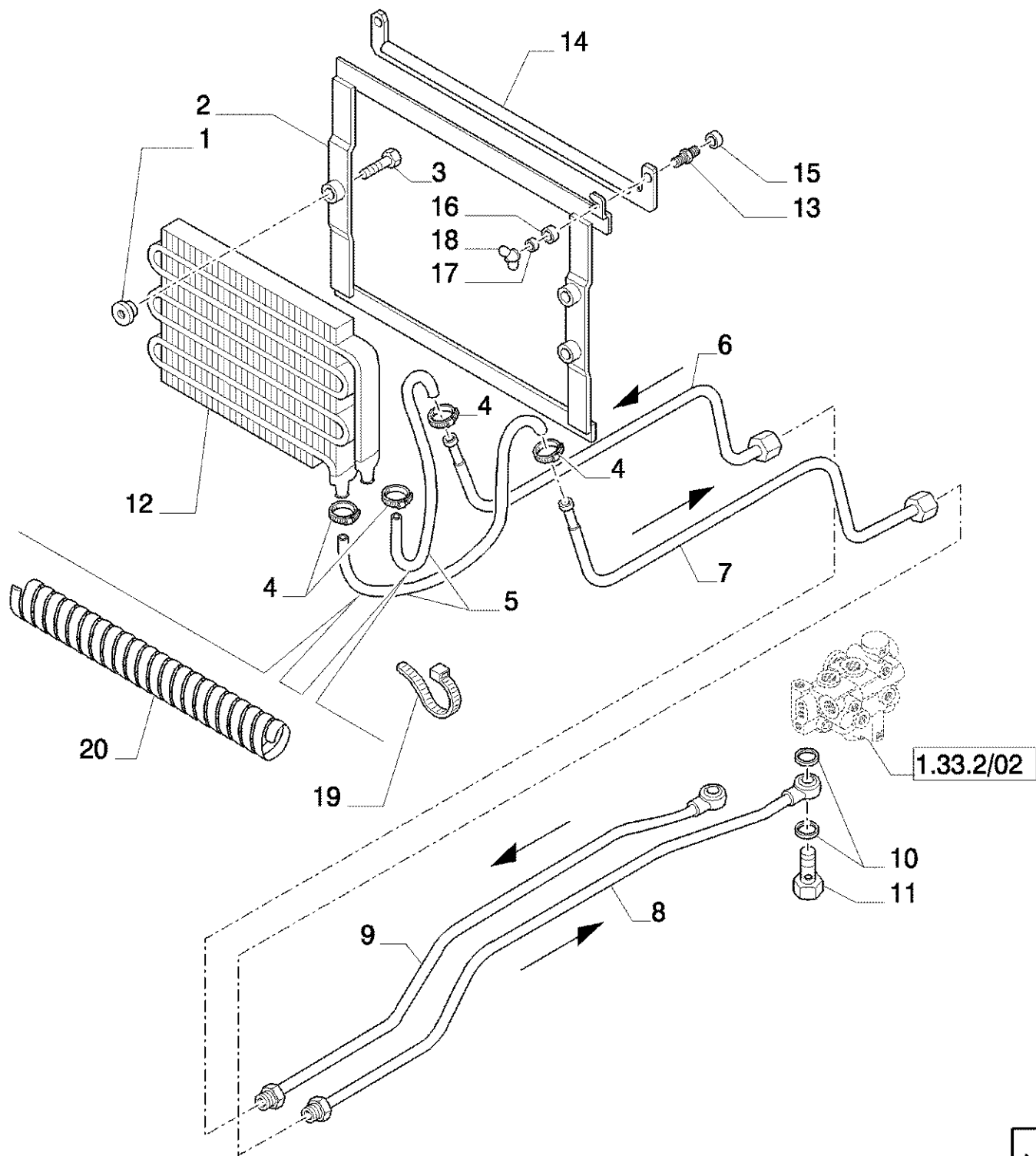
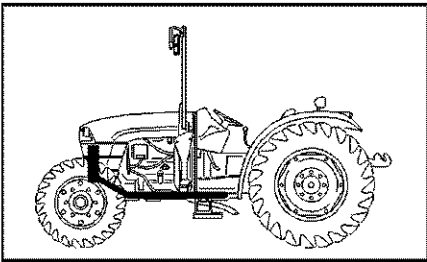


Ref	Onderdeelnummer	Kwt	Beschrijving
1	5174487	1	ACCUMULATOR,
2	5175472	1	STEUNBEUGEL,
3	16043324	2	BOUT, Hex, M8 x 18, 8.8, Full Thd,
4	5176275	1	VASTE BUIS,
5	5176277	1	VASTE BUIS,
6	5176279	1	VASTE BUIS,
7	5181983	1	VERBINDING,
8	10260960	14	WASHER, COPPER, M10.2 x 14 x 1.5, Copper,
9	11903011	2	PLUG, M10 x 1 x 11, CI5.8,
10	82028133	1	ZENDER, Temp.

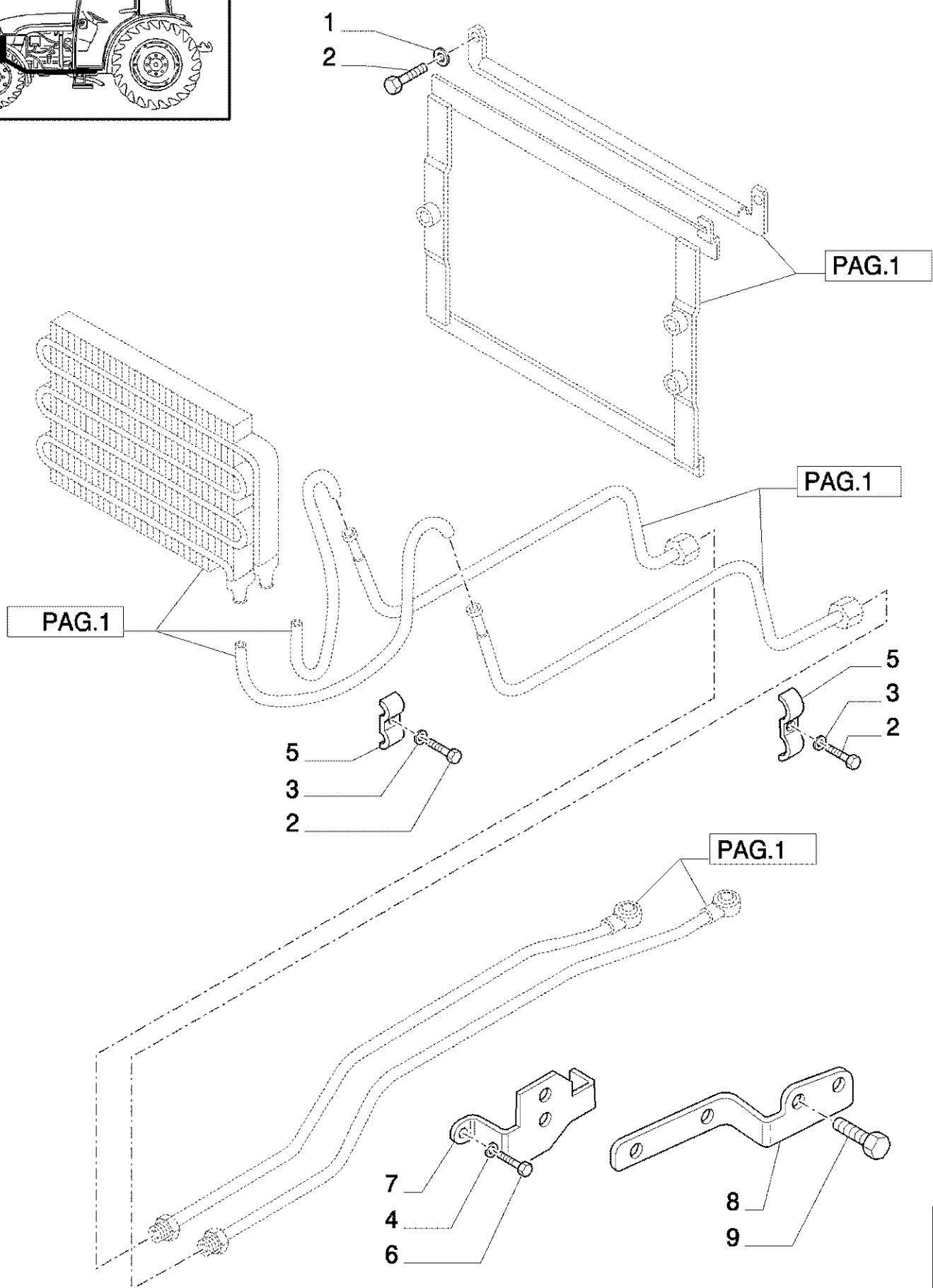
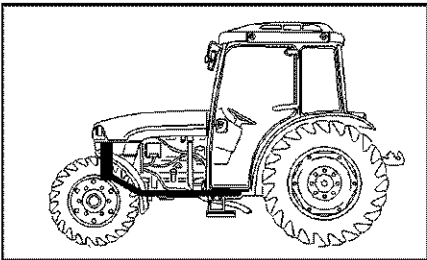


Ref	Onderdeelnummer	Kwt	Beschrijving
1	5174487	1	ACCUMULATOR,
2	5176177	2	LICHAAM,
4	20419320	1	KOGEL, D=3.65
5	5177700	1	LICHAAM,
6	5137480	1	ZUIGER,
7	5137481	1	VEER,
8	14458881	1	O-RING, -130, CI 7, 1.612" ID x .103" Thk, (M40.94 ID x 2.62 Thk)
9	5137482	1	AFSCHERMING,
3	14437685	2	O-RING, 9.3MM ID x 2.4 Thk,

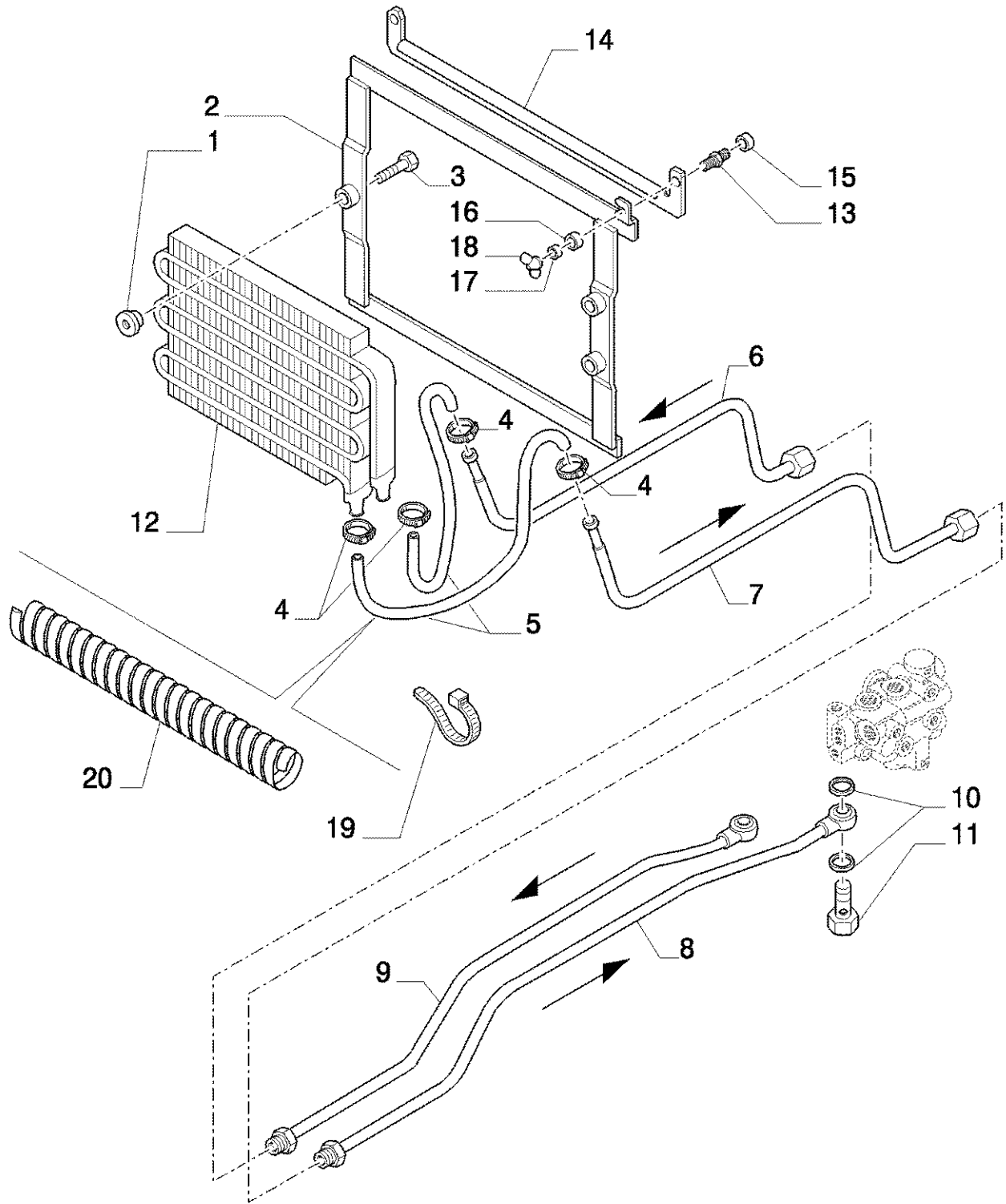
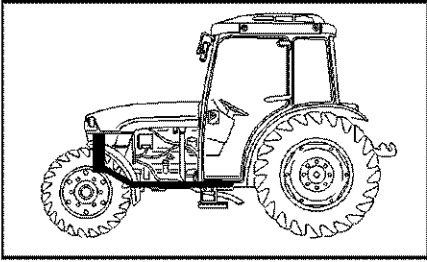
Ref	Onderdeelnummer	Kwt	Beschrijving
1	5174041	4	O-RING, 2.62x13.1
2	5173962	1	VERBINDING,
3	14456981	1	O-RING, -111, CI 7, .424" ID x .103" Thk,
4	5176044	1	VASTE BUIS,
5	5176047	1	VASTE BUIS,
6	14456881	3	O-RING, -110, CI 7, .361" ID x .103" Thk, (M9.19 ID x 2.62 Thk)
7	5176052	1	STEUNBEUGEL,
8	16043524	2	BOUT, Hex, M8 x 22, 8.8, Full Thd,
8	16043624	2	BOUT, Hex, M8 x 25, 8.8, Full Thd,
10	5103230	6	DICHTINGSSTUK, 2.62x11.91
11	5177629	1	MANIFOLD,
12	5177578	2	VERBINDING,
13	5176125	1	KLEPZITTING,
14	5176059	2	VASTE BUIS,
15	5177627	2	VERBINDING,
16	14437785	2	O-RING, 11.3MM ID x 2.4 Thk,
9	16043924	1	BOUT, Hex, M8 x 35, 8.8, Full Thd,



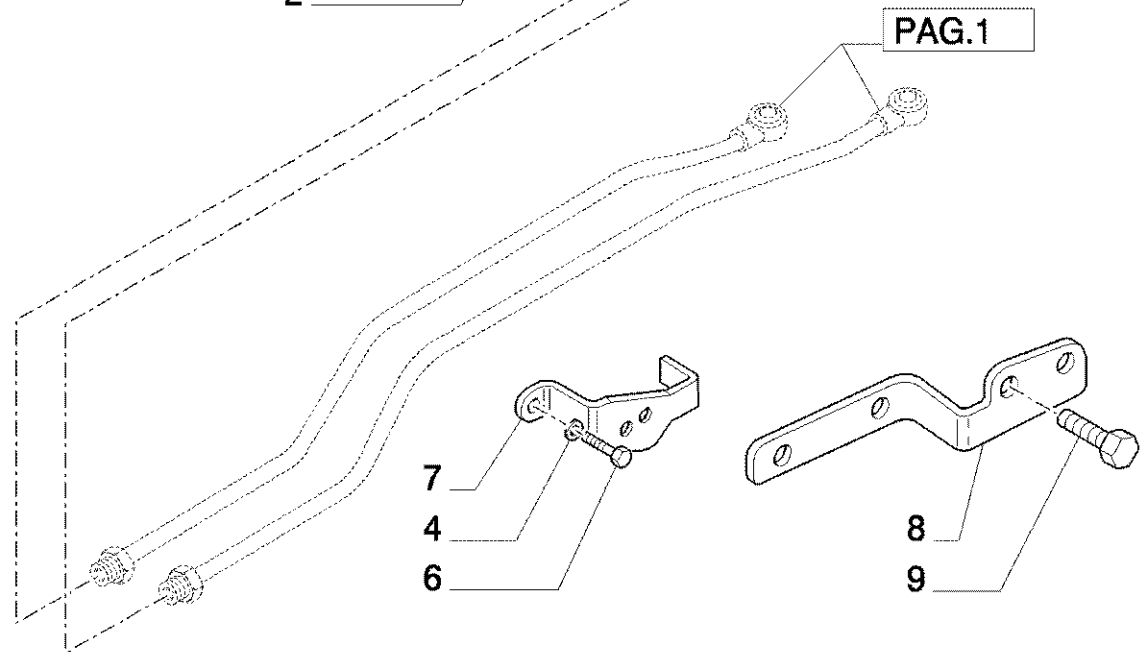
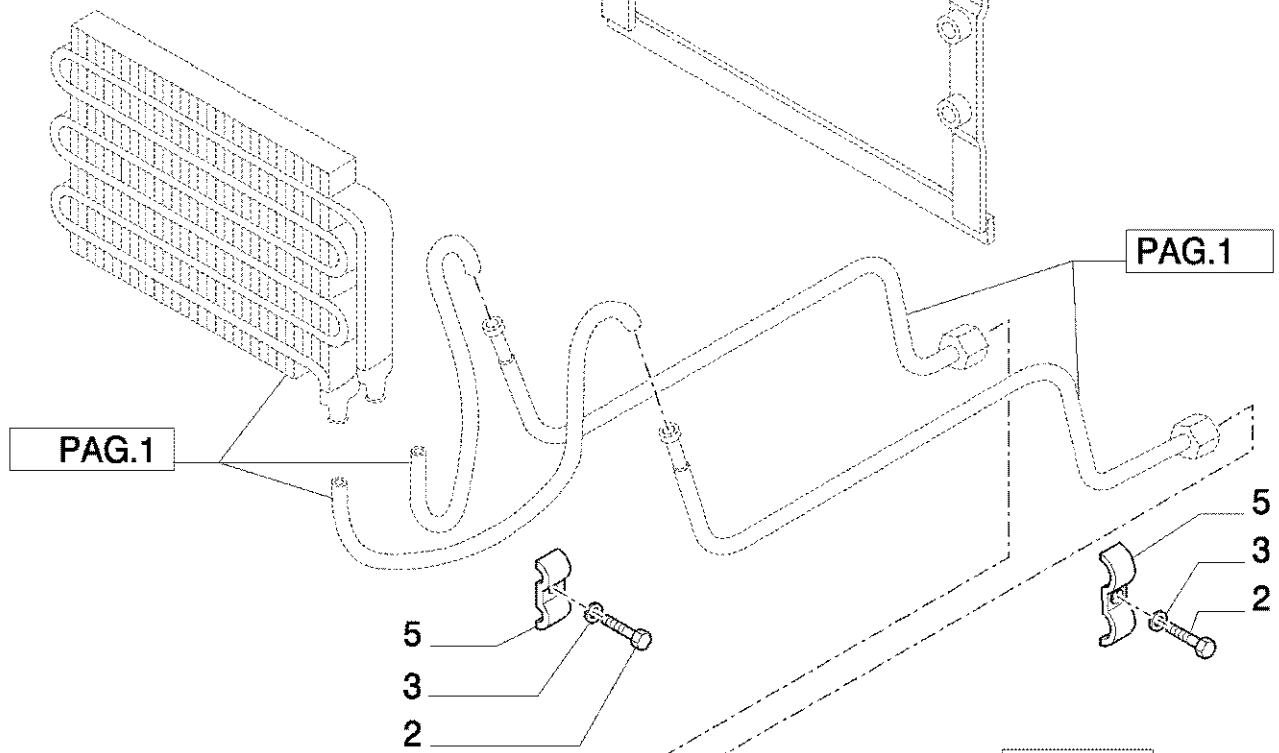
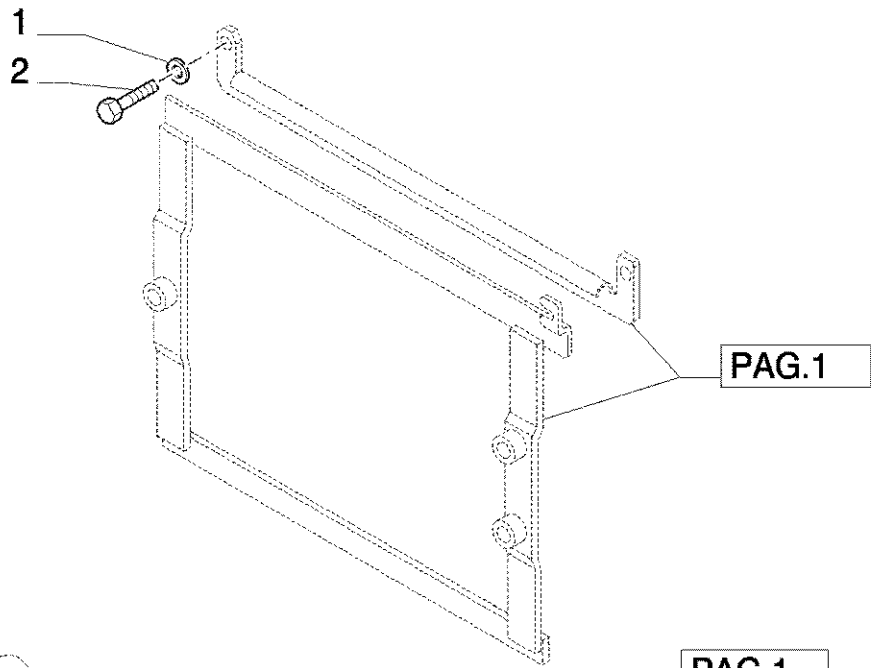
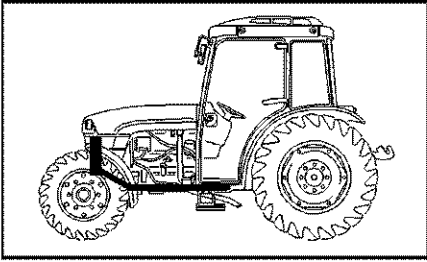
Ref	Onderdeelnummer	Kwt	Beschrijving
1	5175390	3	PROP,
2	5176664	1	RAAM,
3	14432224	3	SCHROEF, Hex Soc Hd, M6 x 22, 8.8,
4	13000390	4	SLANGKLEM, D=16-25
5	5143837	MT	FLEXIBELE SLANG, L=687
6	5185432	1	VASTE BUIS, Delivery
7	5185433	1	VASTE BUIS, Return
8	5177868	1	VASTE BUIS, Return
9	5177864	1	VASTE BUIS, Delivery
10	5167640	4	DICHTRING, 18x24
11	5184345	2	VERBINDINGSBOUT, M18x34
12	83945933	1	RADIATOR,
13	5174191	1	SCHROEF, M8
14	5176134	2	GELEIDER,
15	12598374	1	VEERRING, D=8
16	14496504	1	SLUITRING, M8 x 17 x 1.6,
17	11193874	2	WASHER, SPRING, Belleville, M8.4, 8x16
18	10102004	1	MOER, M8
19	5112712	1	SPANKRAAG,
20	5186848	2	FLEXIBELE SLANG,



Ref	Onderdeelnummer	Kwt	Beschrijving
1	11193874	2	WASHER, SPRING, Belleville, M8.4, 8x16
1	11197774	2	WASHER, SPRING, Belleville, M6.4,
2	10902024	4	BOUT, Hex, M6 x 12, 8.8, Full Thd,
2	16043124	1	BOUT, Hex, M8 x 14, 8.8, Full Thd,
4	11194274	1	WASHER, SPRING, Belleville, M17, 16x32
5	5177880	2	STOPBEUGEL,
6	15980324	1	SCHROEF, Hex, M16 x 1.5 x 25, 8.8, Full Thd,
7	47134203	1	STEUNBEUGEL,
8	5180410	1	STEUNBEUGEL,
9	16043224	2	BOUT, Hex, M8 x 16, 8.8, Full Thd,
3	86517328	2	VEERRING, M6, D=6

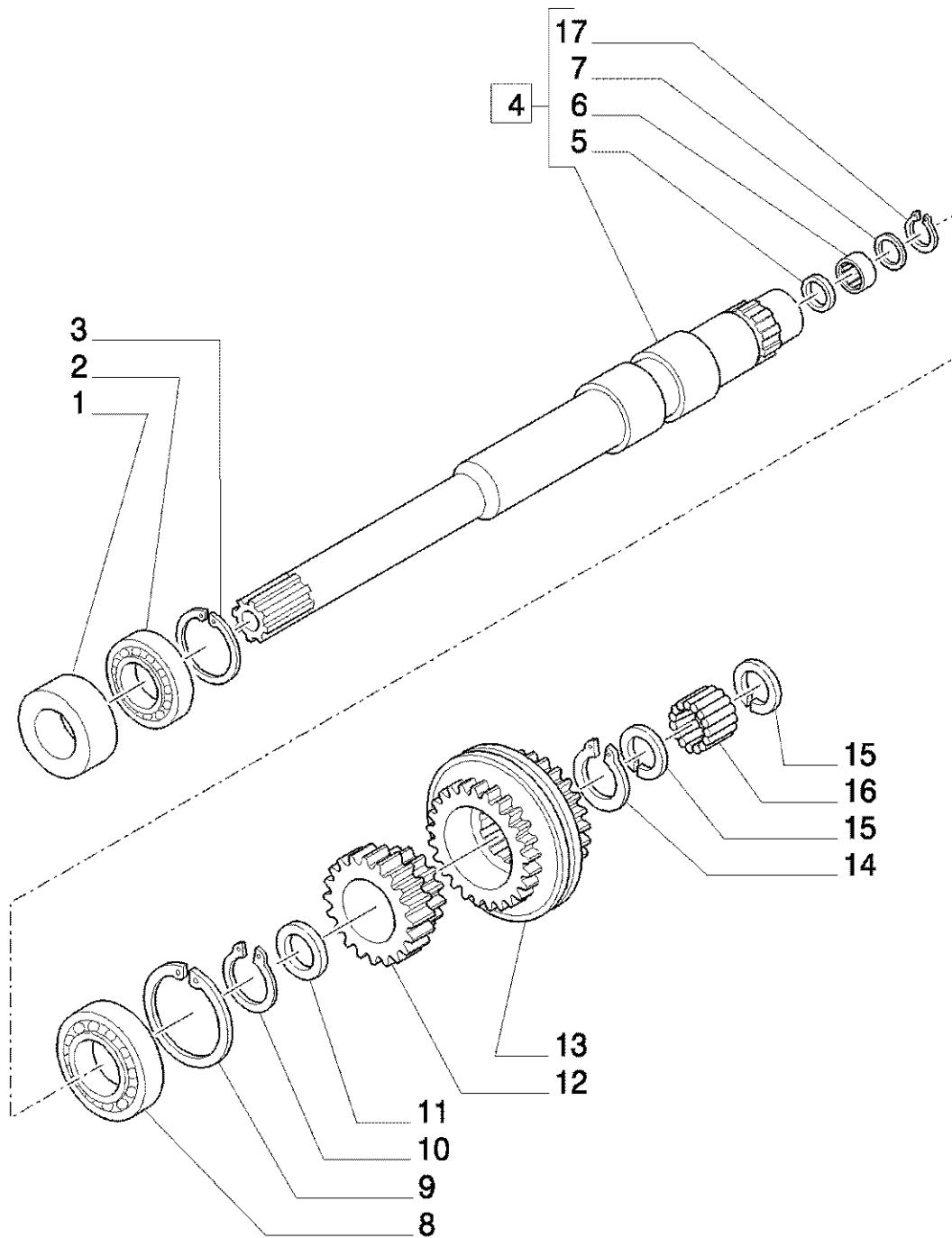
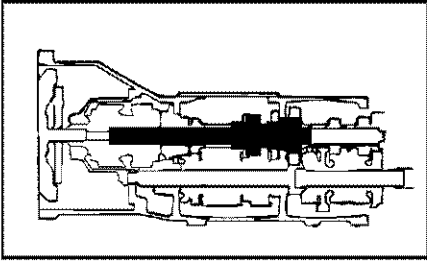


Ref	Onderdeelnummer	Kwt	Beschrijving
1	5175390	3	PROP,
2	5176664	1	RAAM,
3	14432224	3	SCHROEF, Hex Soc Hd, M6 x 22, 8.8,
4	13000390	4	SLANGKLEM, D=16-25
5	47131912	2	L=687
6	5185432	1	VASTE BUIS, DELIVERY
7	5185433	1	VASTE BUIS, RETURN
8	5177868	1	VASTE BUIS, RETURN
9	5177864	1	VASTE BUIS, DELIVERY
10	10259960	4	DICHTRING, M18.3 x 24 x 1.5,
11	5184345	2	VERBINDINGSBOUT,
12	83945933	1	RADIATOR,
13	5174191	1	SCHROEF,
14	5176134	2	GELEIDER,
15	12598374	1	VEERRING, D=8
16	14496504	1	SLUITRING, M8 x 17 x 1.6,
17	11193874	1	WASHER, SPRING, Belleville, M8.4, 8x16
18	10102001	1	MOER, M8
19	14560287	1	STRAP, CABLE, L=289mm
20	5186848	1	FLEXIBELE SLANG,



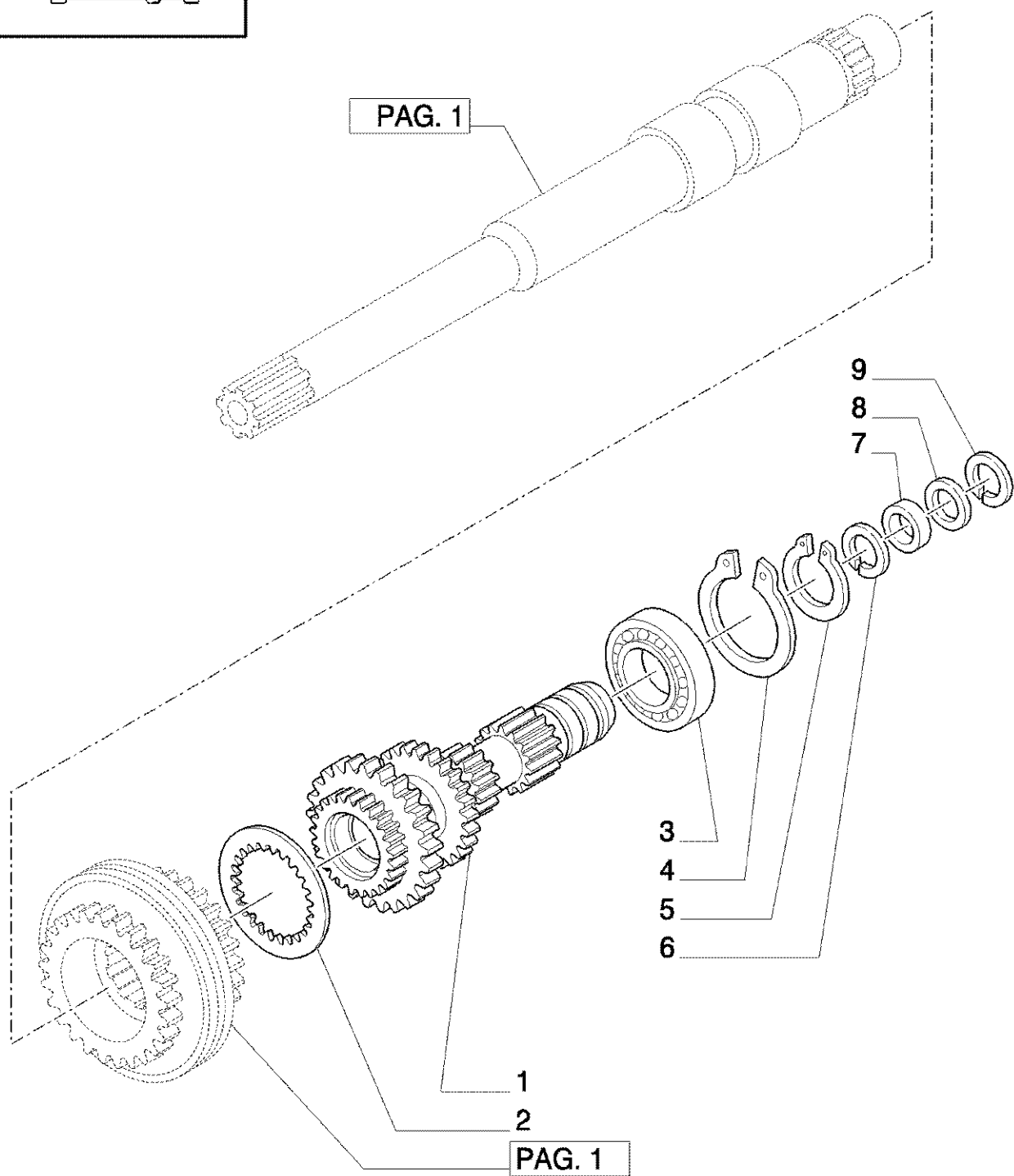
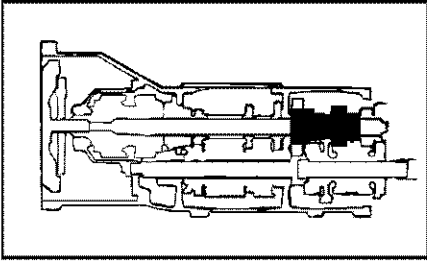
Ref	Onderdeelnummer	Kwt	Beschrijving
1	11193874	2	WASHER, SPRING, Belleville, M8.4, 8x16
1	11197774	2	WASHER, SPRING, Belleville, M6.4,
2	10902024	4	BOUT, Hex, M6 x 12, 8.8, Full Thd,
2	16043124	1	BOUT, Hex, M8 x 14, 8.8, Full Thd,
2	10902024	1	BOUT, Hex, M6 x 12, 8.8, Full Thd,
3	10516474	2	VEERRING, D=6
4	11194274	1	WASHER, SPRING, Belleville, M17, 16x32
5	5177880	2	STOPBEUGEL,
6	15980324	1	SCHROEF, Hex, M16 x 1.5 x 25, 8.8, Full Thd,
7	5185434	1	STEUNBEUGEL,
8	5180410	1	STEUNBEUGEL,
9	16043224	2	BOUT, Hex, M8 x 16, 8.8, Full Thd,

1.28.1(01) RADERWERKEN SNELHEIDSVERANDERING



1.28.1(01) RADERWERKEN SNELHEIDSVERANDERING

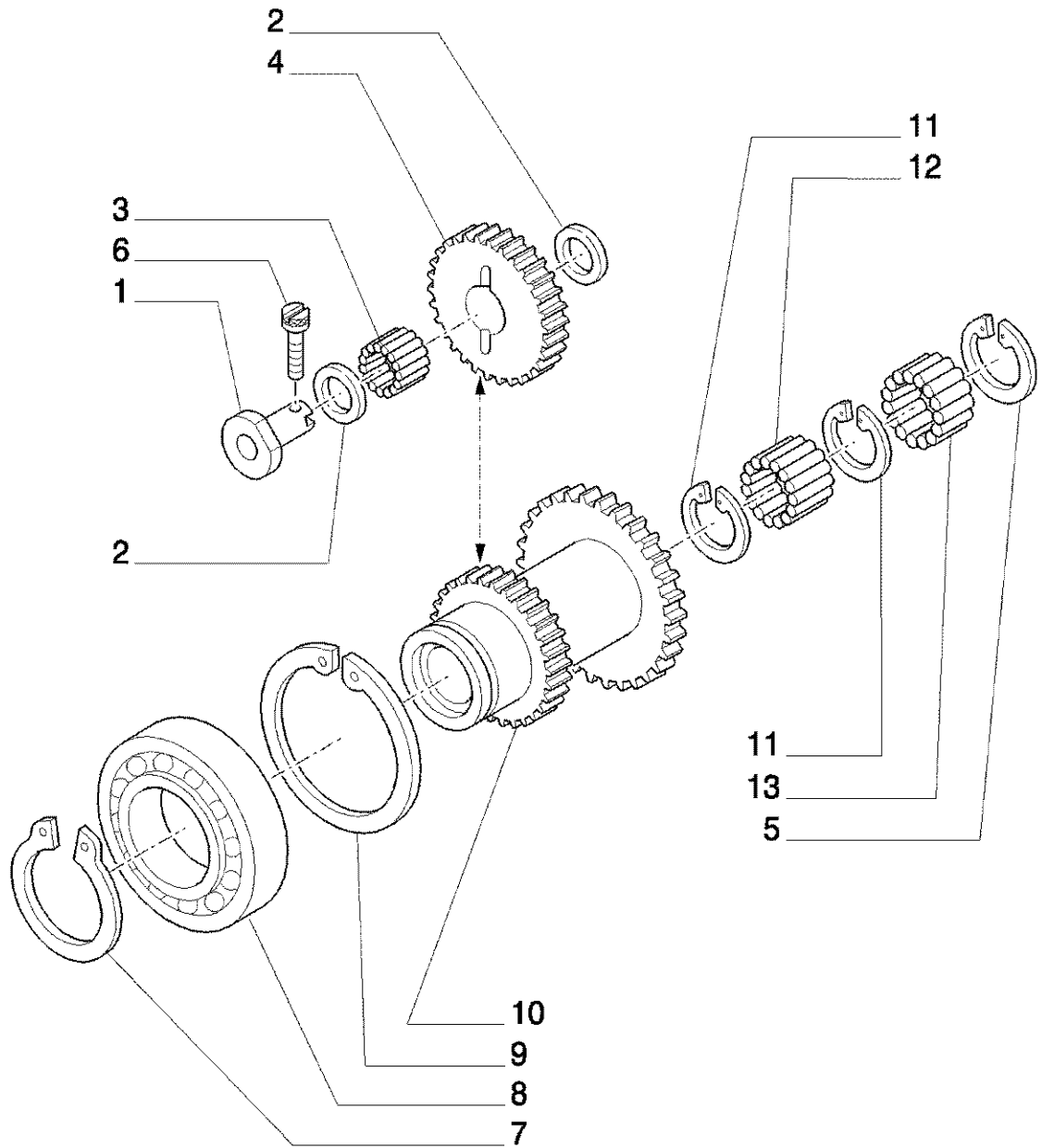
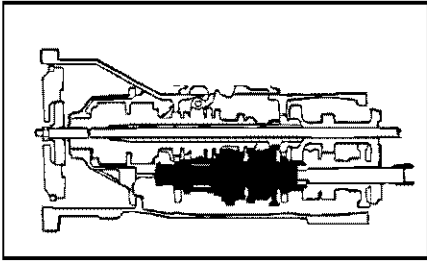
Ref	Onderdeelnummer	Kwt	Beschrijving
1	87342469	1	DICHTINGSRING, 45x68
2	28042490	1	LAGER, D=45x75x16
3	11061676	1	RING, SNAP, M75, Int, D=75
4	5177056	1	AS, HOOFD, ASSY
5	5179747	1	DICHTINGSSTUK, 25x31x7
6	5181211	1	LAGER,
7	5181057	1	SLUITRING DRUKPLAAT,
8	5168187	1	LAGER, 50x90x20
9	5168154	1	RING, D=90
10	5168188	1	RING,
11	5168189	1	SLUITRING DRUKPLAAT,
12	5176906	1	TANDWIEL,
13	47125032	1	SYNCHRONISATOR, D=82
14	11069276	1	RING, SNAP, M48, Ext,
15	5160929	2	RING, D=53
16	5168192	1	LAGER, 45x53x20
17	5180152	1	RING,



1.28.1(02) RADERWERKEN SNELHEIDSVERANDERING

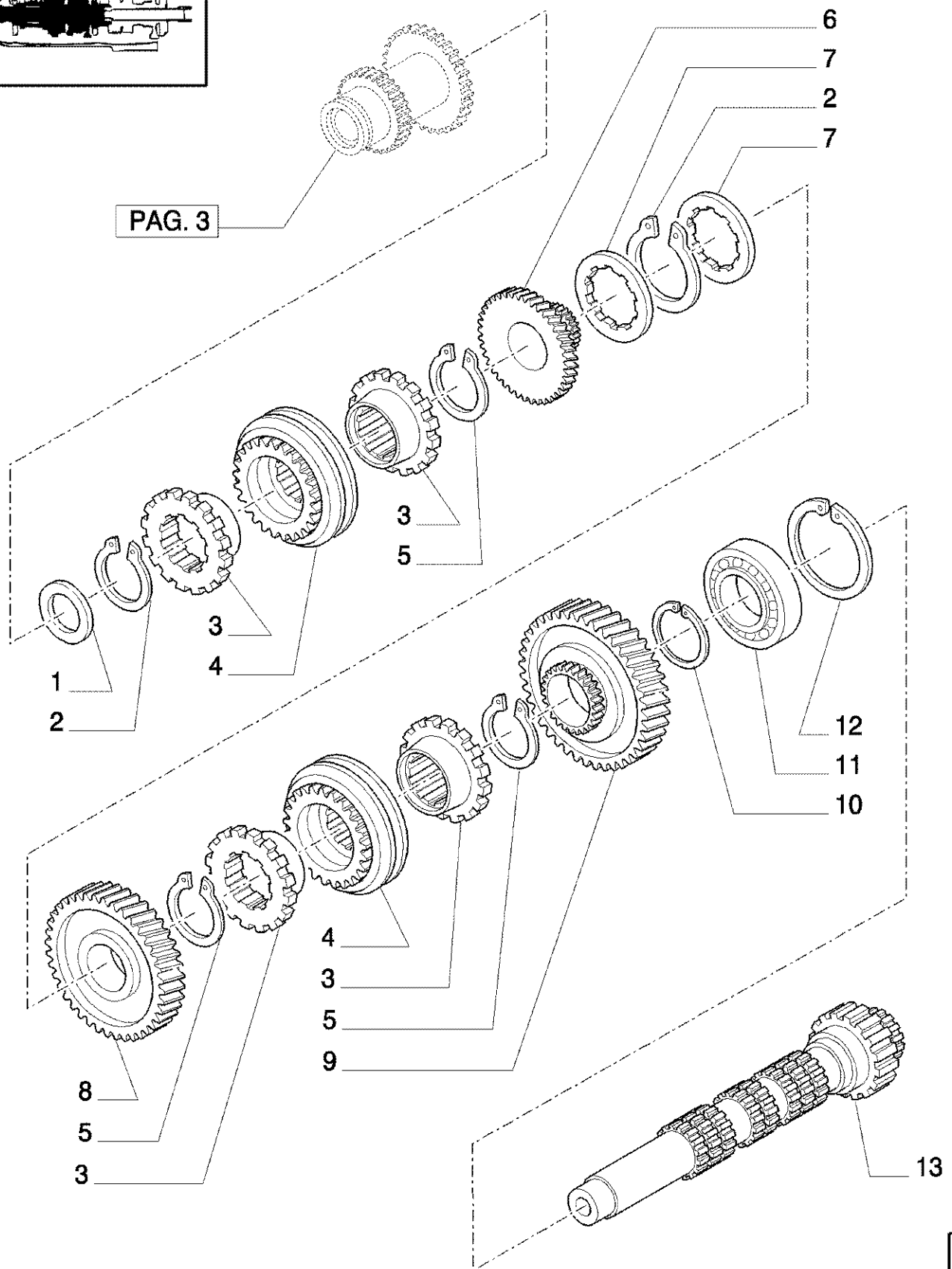
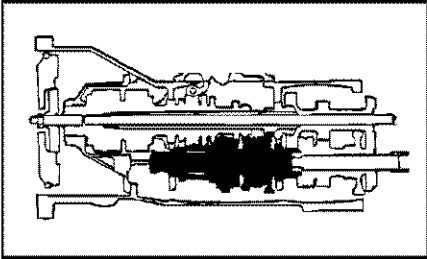
Ref	Onderdeelnummer	Kwt	Beschrijving
1	5176935	1	AS,
2	5172078	1	DIKTEPLAAT, MM.0.5
2	5172079	1	DIKTEPLAAT, MM.1.0
2	5172080	1	DIKTEPLAAT, MM.1.5
2	5172081	1	DIKTEPLAAT, MM.2.0
2	5179357	1	DIKTEPLAAT, MM.0.75
2	5179358	1	DIKTEPLAAT, MM.1.25
2	5179359	1	DIKTEPLAAT, MM.1.75
2	5179360	1	DIKTEPLAAT, MM.2.25
3	5168187	1	LAGER, 50x90x20
4	5168154	1	RING, D=90
5	5138419	1	RING, SNAP, D=50
6	5175983	2	KEERRING,
7	5179747	1	DICHTINGSSTUK, 25x31x7
8	5181057	1	SLUITRING DRUKPLAAT,
9	5180152	1	RING,

1.28.1(03) RADERWERKEN SNELHEIDSVERANDERING



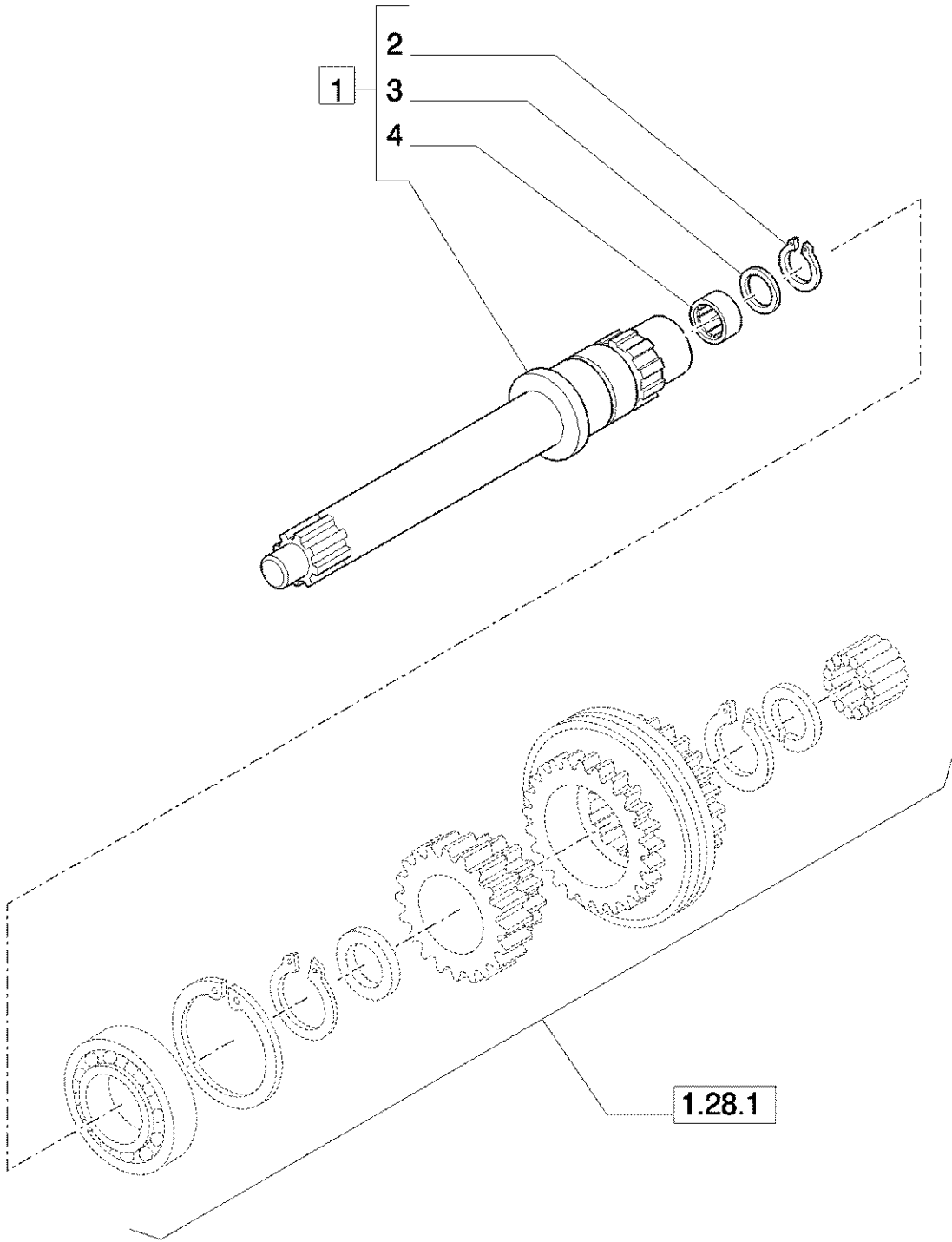
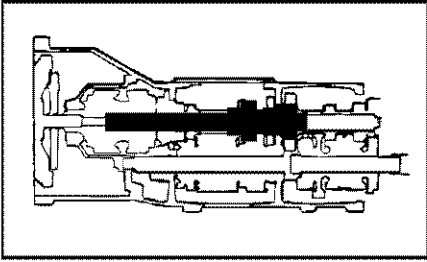
1.28.1(03) RADERWERKEN SNELHEIDSVERANDERING

Ref	Onderdeelnummer	Kwt	Beschrijving
1	5176909	1	PEN,
2	5176895	2	SLUITRING DRUKPLAAT,
3	5176908	1	LAGER, 22x28x17
4	5176919	1	TANDWIEL, REV
5	5168197	1	SLUITRING,
6	5183643	1	SPANSTIFT,
7	5138419	1	RING, SNAP, D=50
8	5168187	1	LAGER, 50x90x20
9	5168154	1	RING, D=90
10	5176997	1	TANDWIEL, REV/4TH GEAR
11	5168199	2	SLUITRING,
12	5168198	1	LAGER, 25x33x20
13	5168196	1	LAGER, 35x40x27

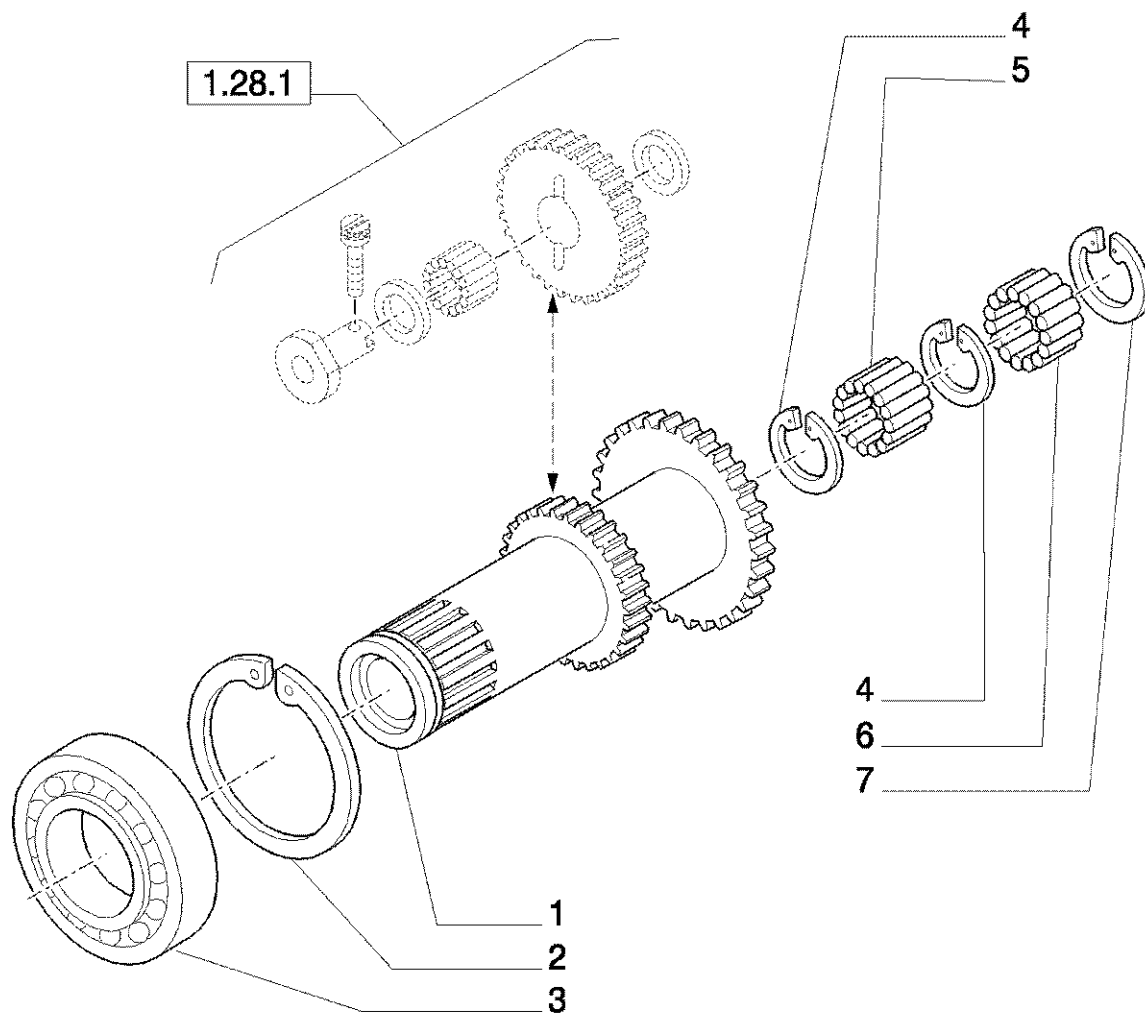
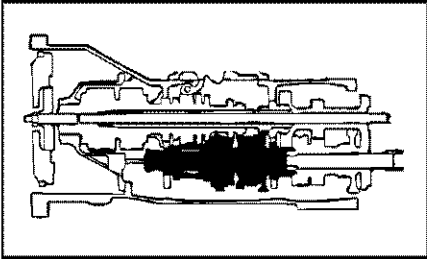


1.28.1(04) RADERWERKEN SNELHEIDVERANDERING

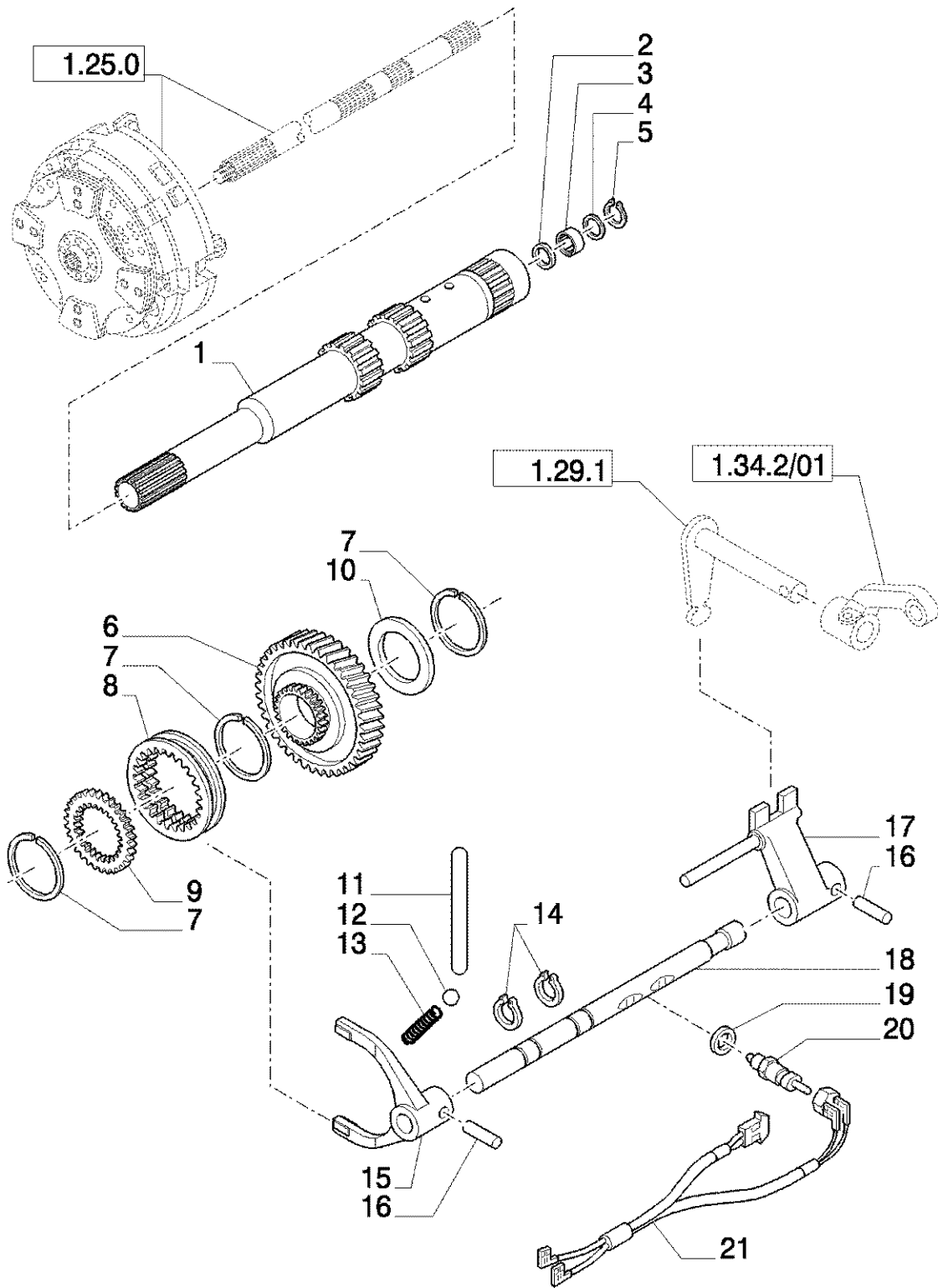
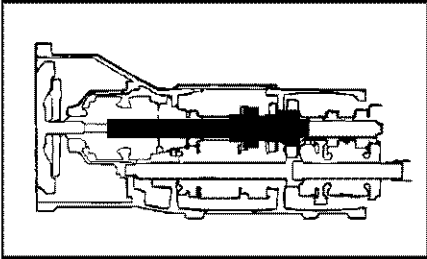
Ref	Onderdeelnummer	Kwt	Beschrijving
1	5172073	AR	DIKTEPLAAT, MM.0.5
1	5172074	AR	DIKTEPLAAT, MM.1.0
1	5172075	AR	DIKTEPLAAT, MM.1.5
1	5172076	AR	DIKTEPLAAT, MM.2.0
1	5179351	AR	DIKTEPLAAT, MM.0.75
1	5179352	AR	DIKTEPLAAT, MM.1.25
1	5179353	AR	DIKTEPLAAT, MM.1.75
1	5179354	AR	DIKTEPLAAT, MM.2.25
2	5123651	2	RING,
3	5183337	4	SYNCHRONISATOR,
4	5197956	2	SYNCHRONISATOR, D=68
5	5168195	3	RING,
6	5172053	1	TANDWIEL, 3RD GEAR
7	5177039	2	SLUITRING DRUKPLAAT,
8	5172054	1	TANDWIEL, 2ND GEAR
9	5176962	1	TANDWIEL, 1ST GEAR
10	5138419	1	RING, SNAP, D=50
11	5168187	1	LAGER, 50x90x20
12	5168154	1	RING, D=90
13	5175989	1	AS, HOOFD,



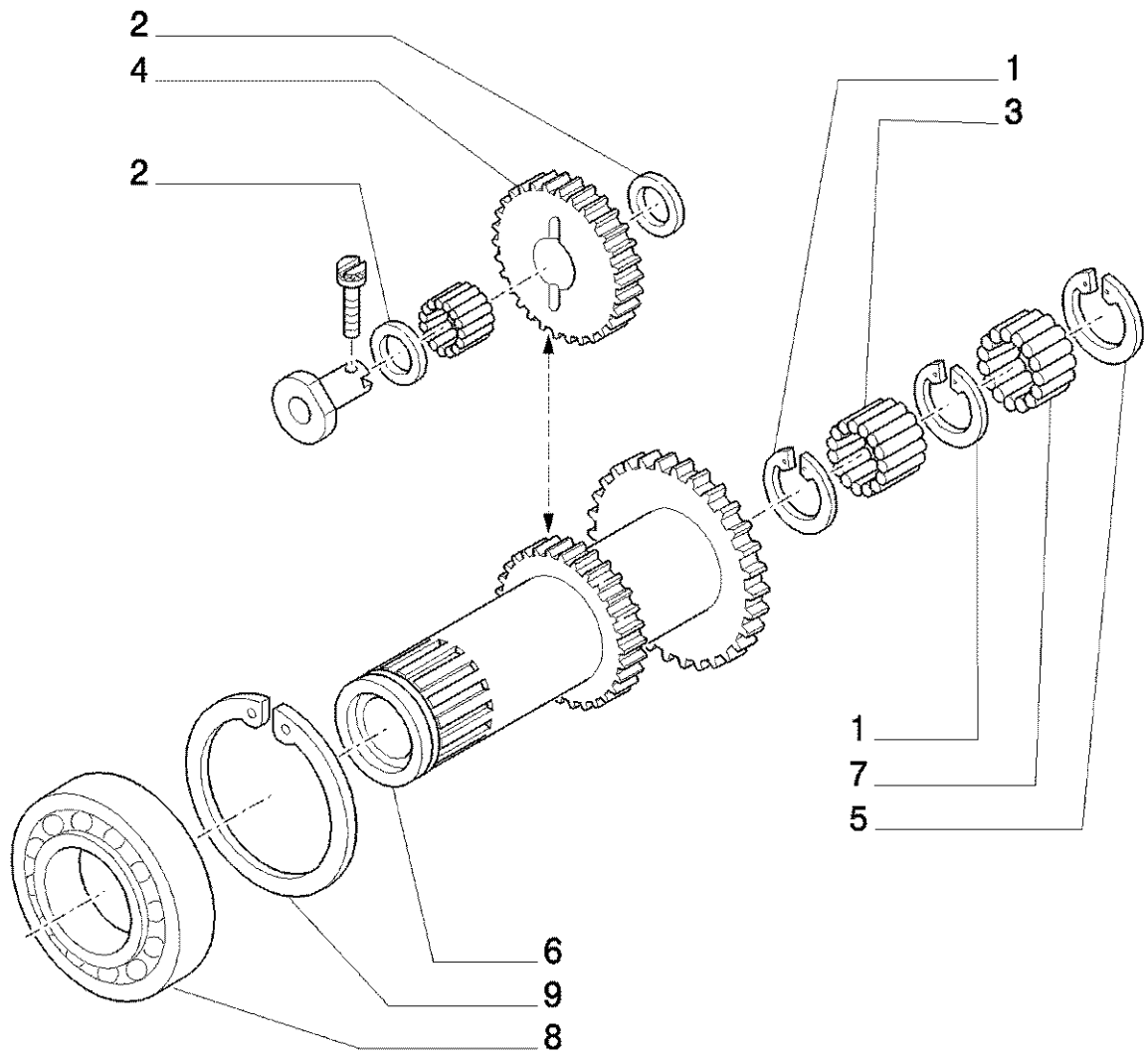
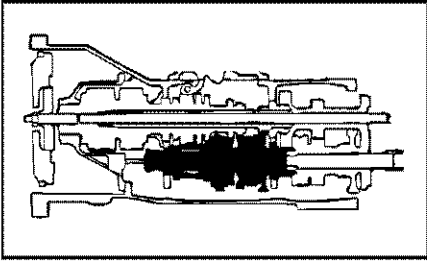
Ref	Onderdeelnummer	Kwt	Beschrijving
1	5177473	1	AS,
2	5180152	1	RING, D=32
3	5181057	1	SLUITRING DRUKPLAAT, 25x32x16
4	5181211	1	LAGER, 25x32x16



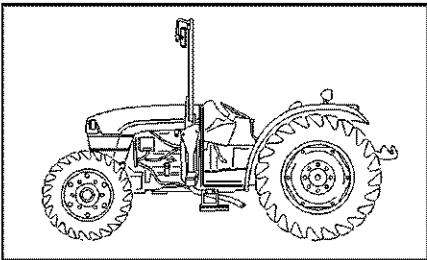
Ref	Onderdeelnummer	Kwt	Beschrijving
1	5177504	1	TANDWIEL, Rev/4th Gear
2	5168154	1	RING, D=90
3	5168187	1	LAGER, 50x90x20
4	5168199	2	SLUITRING,
5	5168198	1	LAGER, 25x33x20
6	5168196	1	LAGER, 35x40x27
7	5168197	1	SLUITRING,



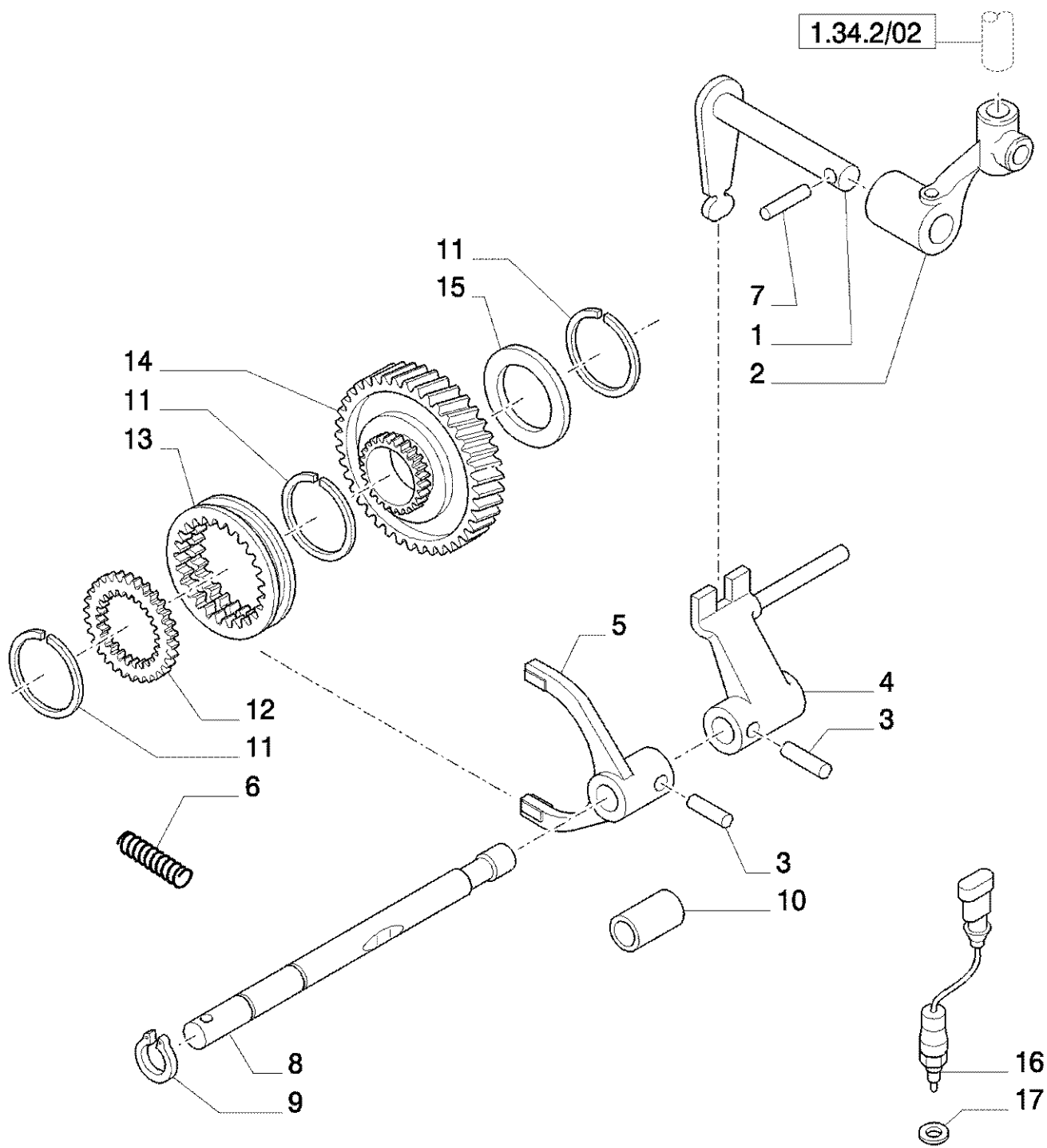
Ref	Onderdeelnummer	Kwt	Beschrijving
1	5177461	1	AANDRIJFAS,
2	5179747	1	DICHTINGSSTUK, 25x31x7
3	5181211	1	LAGER,
4	5181057	1	SLUITRING DRUKPLAAT, 25x32x16
5	5180152	1	RING, D = 32
6	5172890	1	TANDWIEL,
7	5168188	3	RING,
8	5173937	1	AANDRIJFLAGERBUS,
9	5172883	1	SLEEVE,
10	5168189	1	SLUITRING DRUKPLAAT,
11	5173942	1	PAWL,
12	20063390	1	KOGEL, D = 11/32"
13	5168268	1	VEER,
14	13397776	2	RING, SNAP, M16, Int,
15	5173116	1	VORK,
16	13910370	2	SPANSTIFT, M6 x 30, Coiled,
17	5178232	1	MEENEEMSTUK,
18	47130804	1	STANG,
19	5169544	1	DICHTINGSRING, 14x20
20	47132956	1	SCHAKELAAR, Neutral, Gearbox and Reverser
21	5189719	1	ELECTRISCHE KABEL,



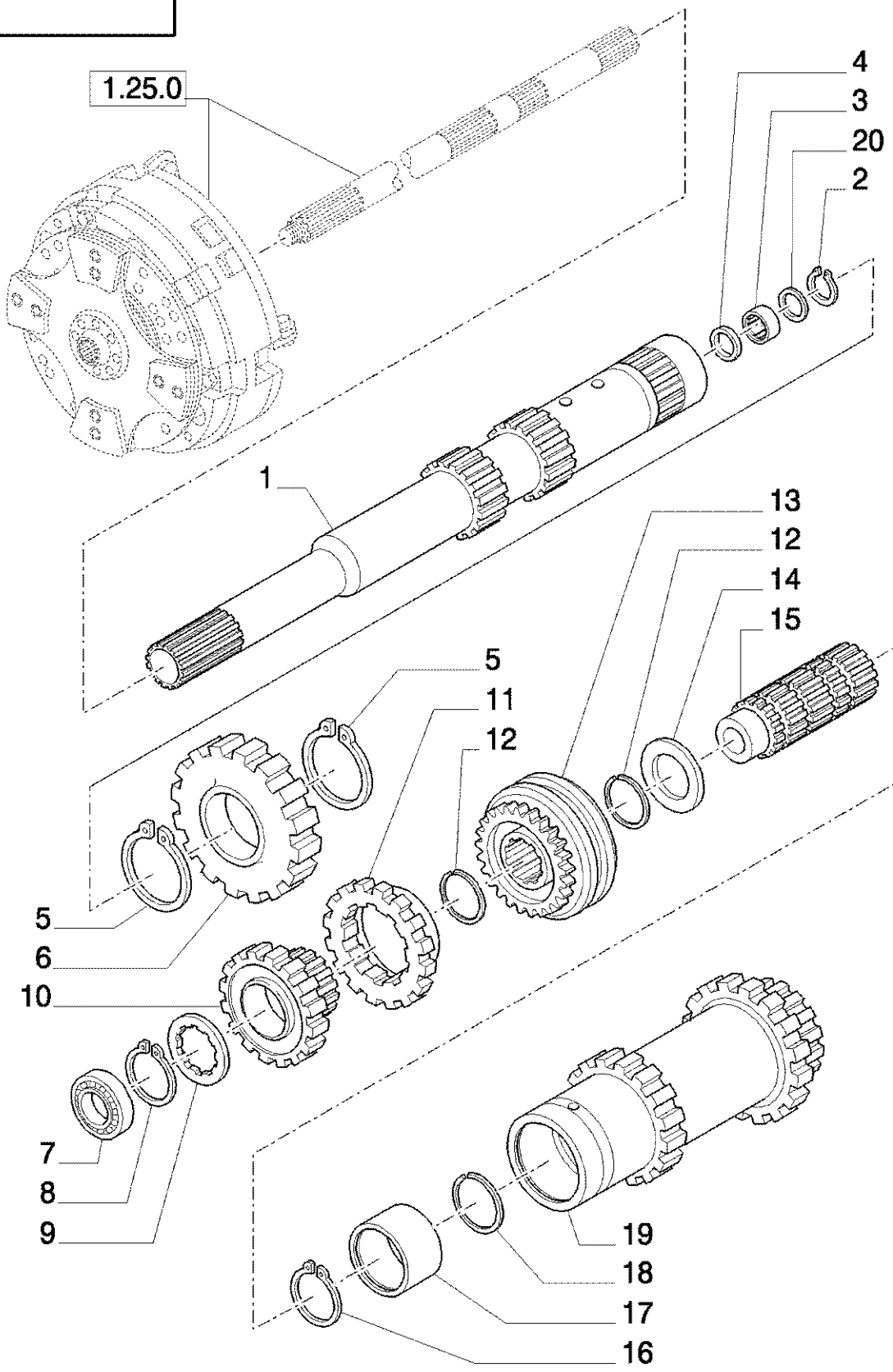
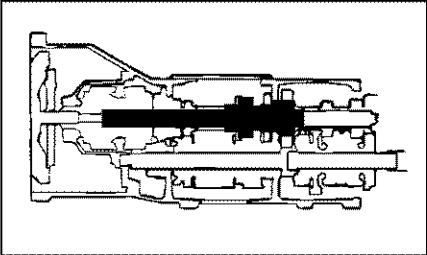
Ref	Onderdeelnummer	Kwt	Beschrijving
1	5168199	2	SLUITRING,
2	5176895	2	SLUITRING DRUKPLAAT,
3	5168198	1	LAGER, 25x33x20
4	5176919	1	TANDWIEL, Rev
5	5168197	1	SLUITRING,
6	5177504	1	TANDWIEL, Rev/4th Gear
7	5168196	1	LAGER, 35x40x27
8	5168187	1	LAGER, 50x90x20
9	5168154	1	RING, D=90



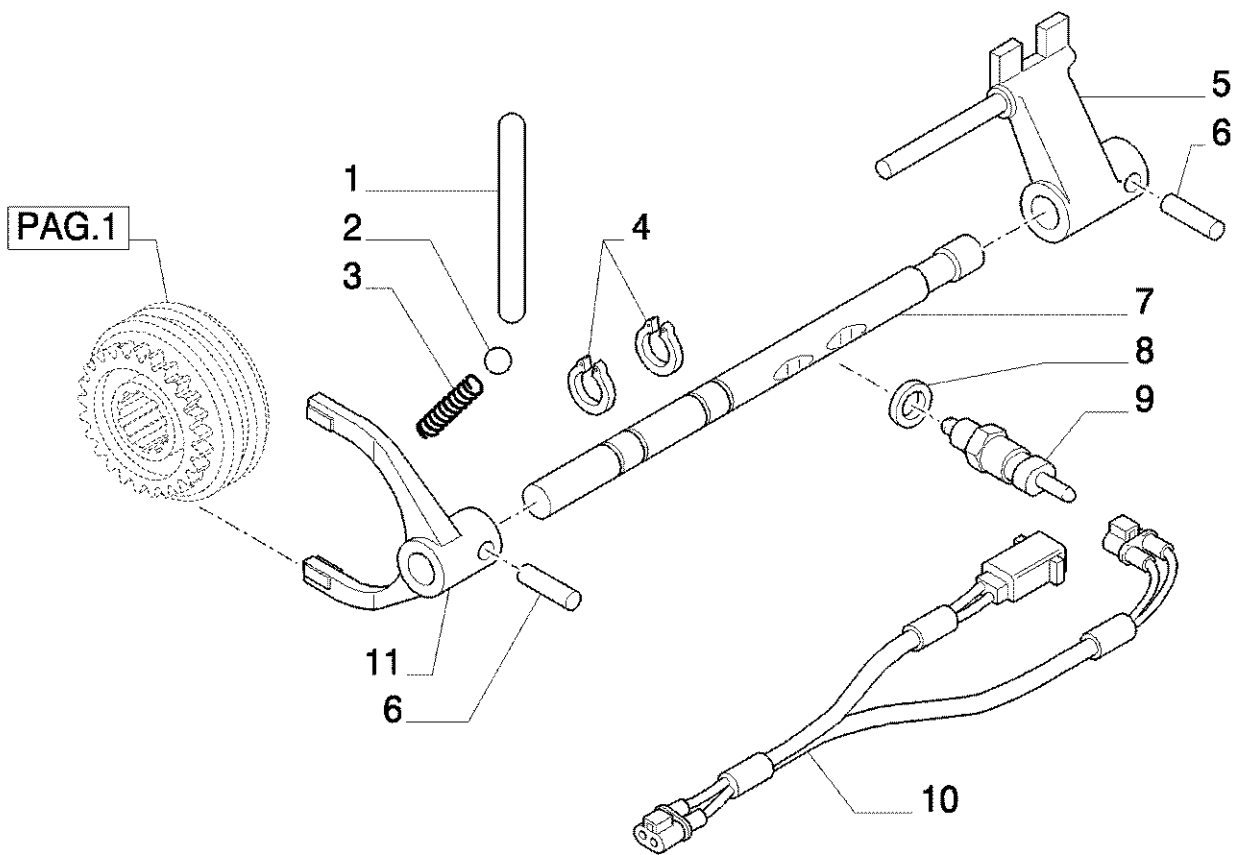
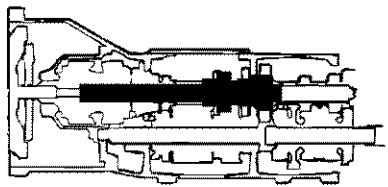
1.34.2/02



Ref	Onderdeelnummer	Kwt	Beschrijving
1	5178224	1	STANG,
2	5184051	1	NAAF,
3	13910370	3	SPANSTIFT, M6 x 30, Coiled,
4	5178232	1	MEENEEMSTUK,
5	5173116	1	VORK,
6	5168268	1	VEER,
7	86977791	1	SLUITPEN, M8 x 45, Slotted,
8	47130803	1	STANG,
9	13397776	2	RING, SNAP, M16, Int,
10	5178225	1	AFSTANDSRING, 22x28x57
11	5168188	3	RING,
12	5172883	1	SLEEVE,
13	5173937	1	AANDRIJFLAGERBUS,
14	5172888	1	AANGEDREVEN TANDWIEL,
15	5168189	1	SLUITRING DRUKPLAAT,
16	47132567	1	SCHAKELAAR,
17	5169544	1	DICHTINGSRING,



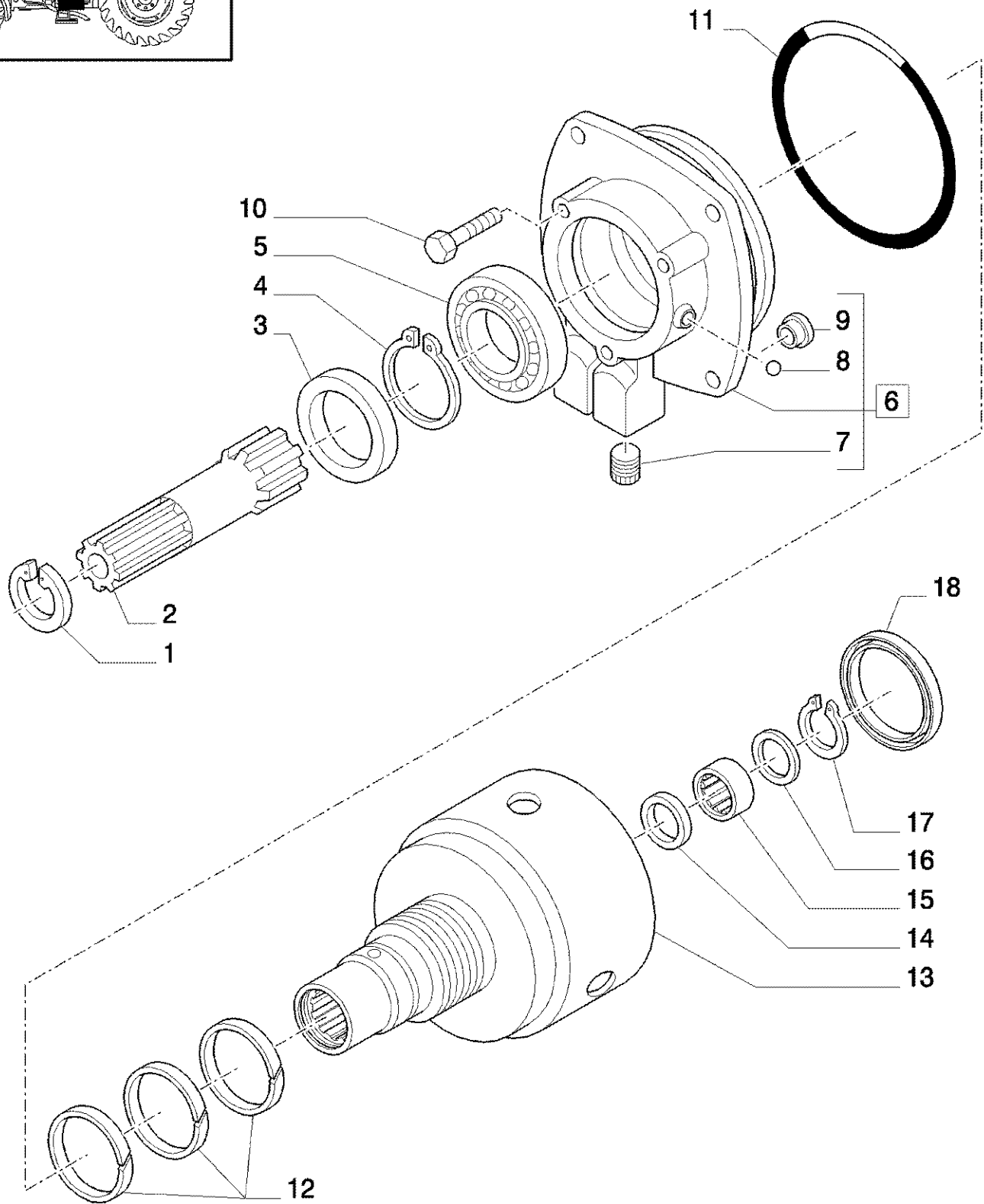
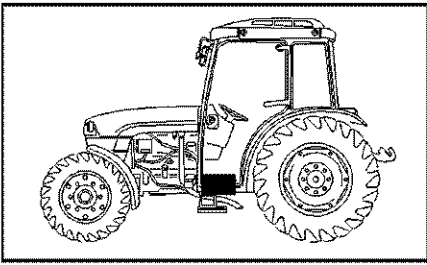
Ref	Onderdeelnummer	Kwt	Beschrijving
1	5177461	1	AANDRIJFAS,
2	5180152	1	RING,
3	5181211	1	LAGER,
4	5179747	1	DICHTINGSSTUK,
5	5173975	2	SLUITRING,
6	5173945	1	TANDWIEL, SPLITTER
7	20705250	1	LAGER, KOGEL, 35x72x17
8	5123651	1	RING, D=40
9	5177039	1	SLUITRING DRUKPLAAT,
10	5177566	1	AANGEDREVEN TANDWIEL, SPLITTER
11	5183337	1	SYNCHRONISATOR,
12	5168195	2	RING,
13	5197957	1	SYNCHRONISATOR,
14	5173403	1	RING,
15	5177564	1	AANGEDREVEN AS, SPLITTER
16	5173957	1	SLUITRING,
17	5173915	1	AFSTANDSRING,
18	5168188	1	RING,
19	5177574	1	TANDWIEL, REV/4TH
20	5181057	1	SLUITRING DRUKPLAAT,



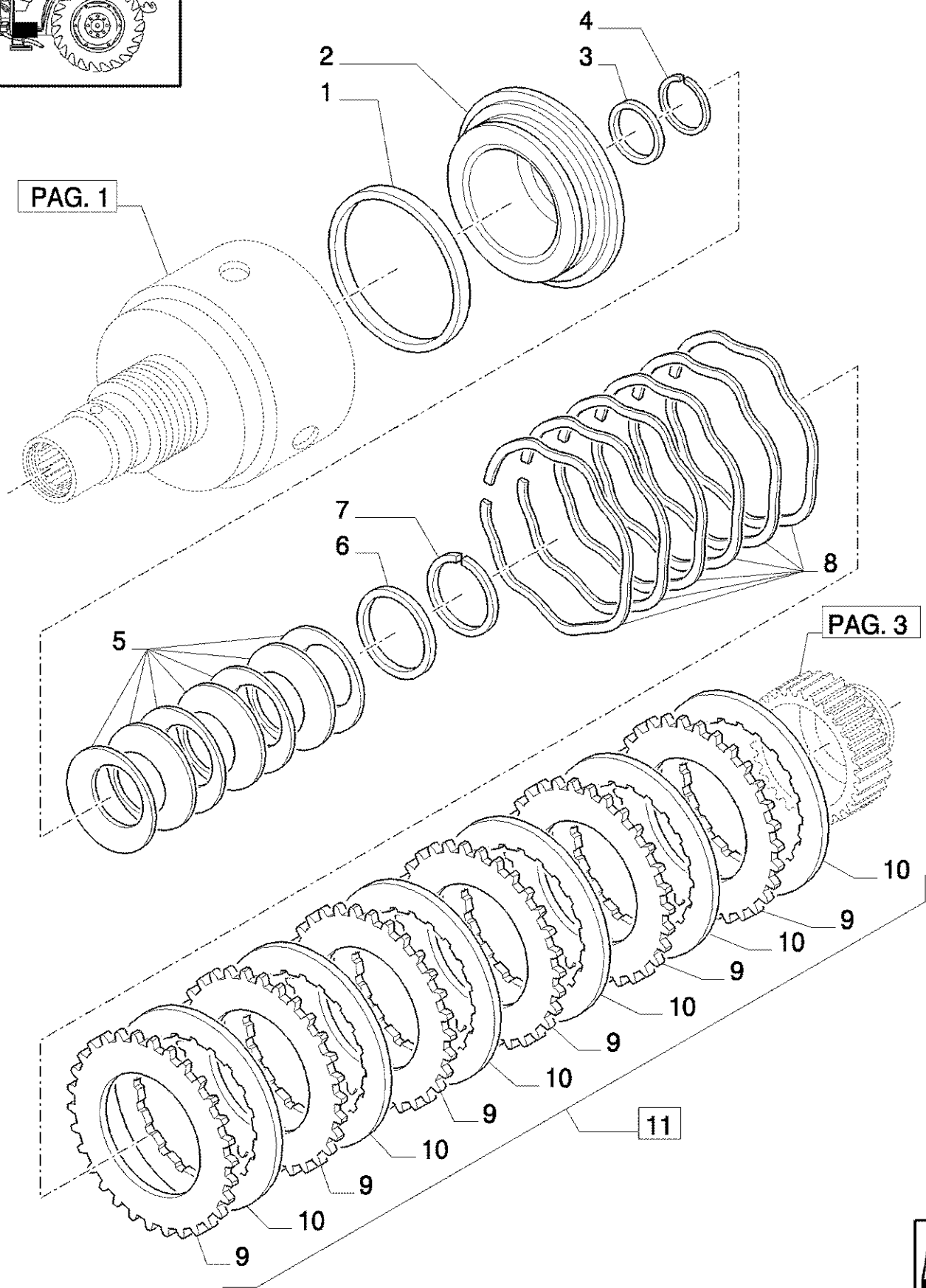
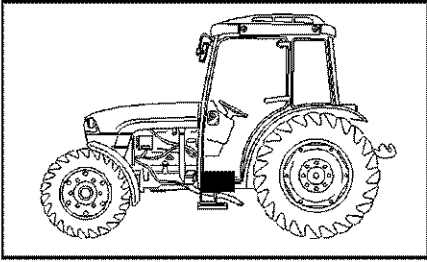
360 KOMPAKT TRACTOR (4/03-) - Transmissie

1.28.1/04(02) (VAR.118) SPLITTER 32X16 (30KM/H) - VORK,STAAF EN NOK.

Ref	Onderdeelnummer	Kwt	Beschrijving
1	5173942	1	PAWL,
2	20063390	1	KOGEL,
3	5168268	1	VEER,
4	13397776	2	RING, SNAP, M16, Int,
5	5178232	1	MEENEEMSTUK,
6	13910370	2	SPANSTIFT, M6 x 30, Coiled,
7	47130804	1	STANG,
8	5169544	1	DICHTINGSRING, D=14
9	47132956	1	SCHAKELAAR, NEUTRAL, Gearbox and Reverser
10	5189719	1	ELECTRISCHE KABEL,
11	5173949	1	VORK, SPLITTER



Ref	Onderdeelnummer	Kwt	Beschrijving
1	13421976	1	RING, SNAP, M45, Int,
2	5177498	1	AS,
3	5159078	1	DICHTINGSRING, 50x70x8
4	11069576	1	RING, SNAP, M55, Ext,
5	5122846	1	LAGER, KOGEL, 50x90x18
6	5177559	1	DEKSEL,
7	10269404	6	PLUG, M12 x 1.5
8	20063430	1	KOGEL, D=3/16"
9	5168157	2	LAGERBUS,
10	16043624	4	BOUT, Hex, M8 x 25, 8.8, Full Thd,
11	87017583	1	O-RING, -163, CI 7, 5.987" ID x .103" Thk,
12	83911795	3	DICHTINGSRING,
13	5177464	1	KLOKHUIS,
14	5179747	2	DICHTINGSSTUK, 25x31x7
15	5181211	1	LAGER, 25x32x16
16	5181057	1	SLUITRING DRUKPLAAT, 25x32x16
17	5180152	1	RING, D=32
18	5168345	1	DICHTINGSSTUK,

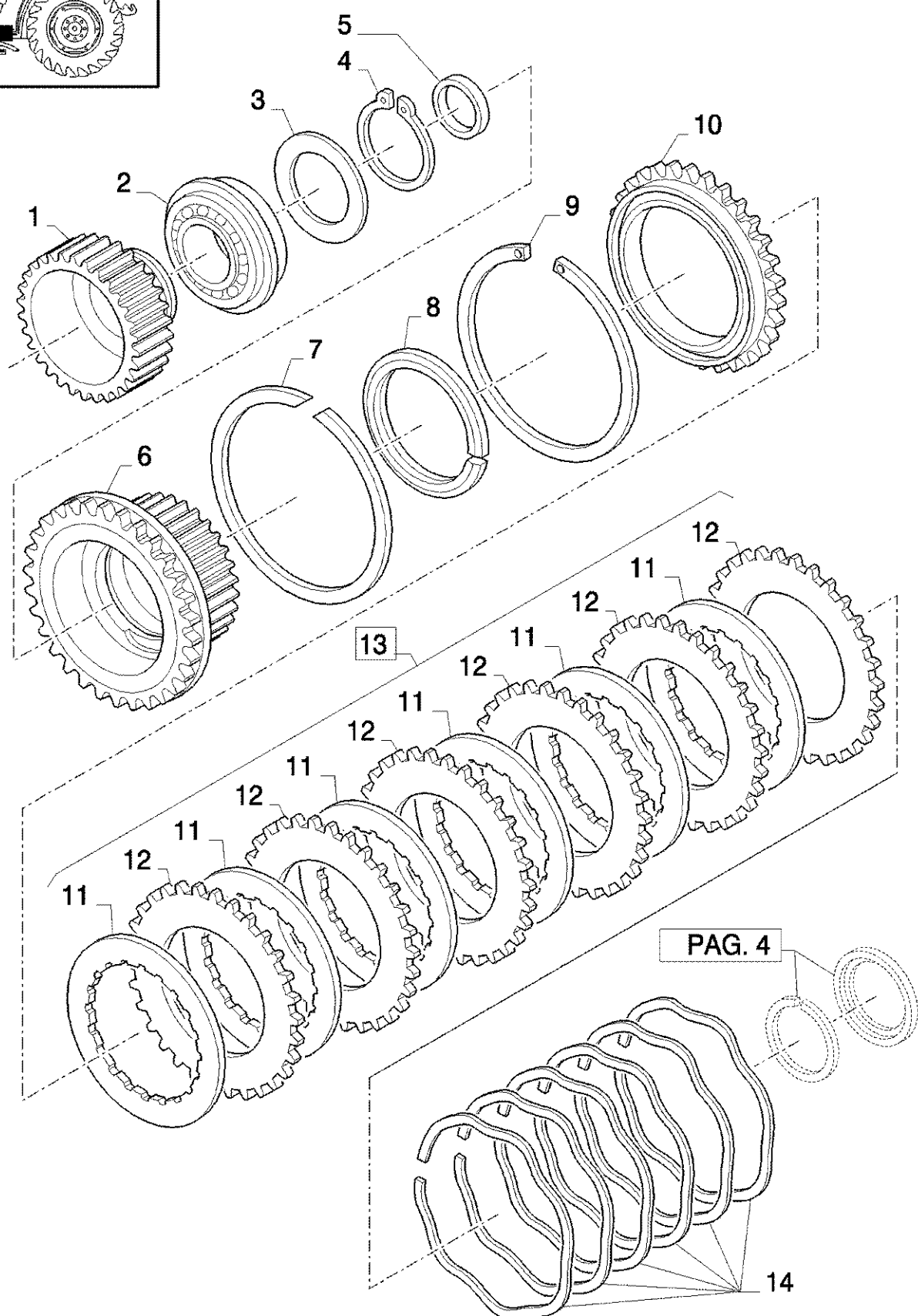
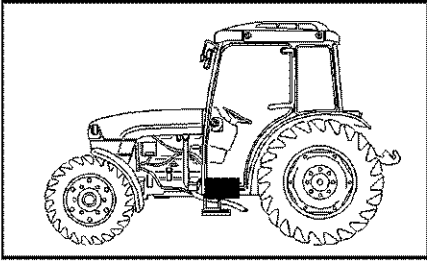


PAG. 1

PAG. 3



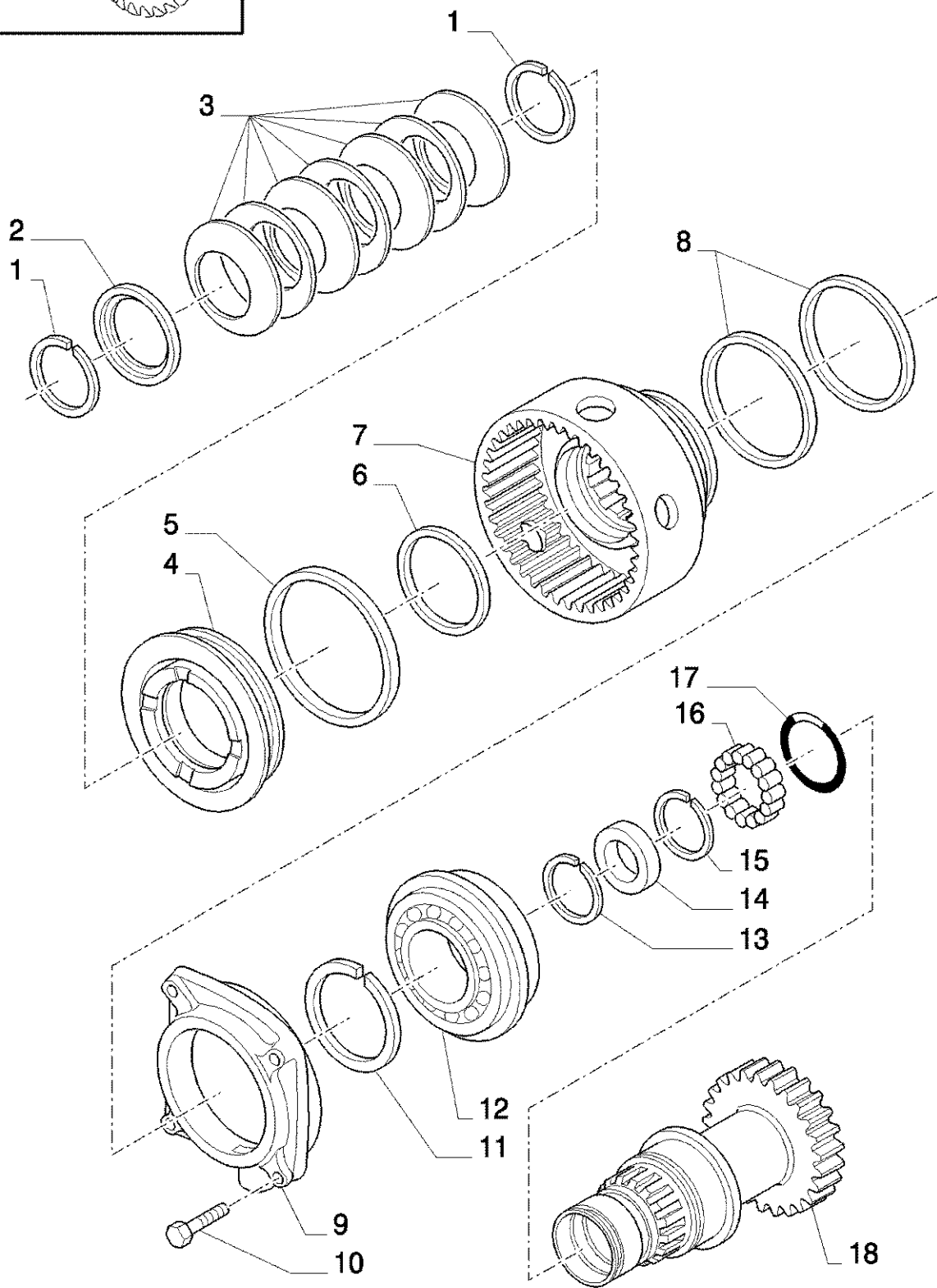
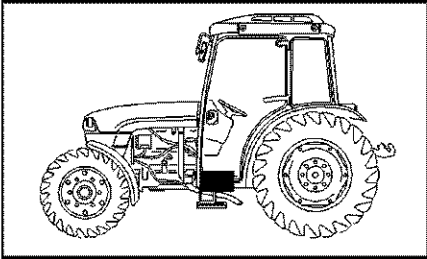
Ref	Onderdeelnummer	Kwt	Beschrijving
1	5172413	1	LEISLOF,
2	5179794	1	ZUIGER,
3	5173674	1	DICHTINGSSTUK,
4	5124473	1	SLUITRING, D=42
5	5168346	7	VEER,
6	5168347	1	KOM,
7	5168348	1	RING,
8	81864341	6	VEER,
9	5173294	AR	KOPPELINGSAANDRIJFPLAAT, THICK 2,00 MM
9	5173295	AR	KOPPELING, AANDRIJFPLAAT, THICK 2,20 MM
10	5154744	6	KOPPELINGSAANDRIJFPLAAT,
11	5173750	1	KIT,



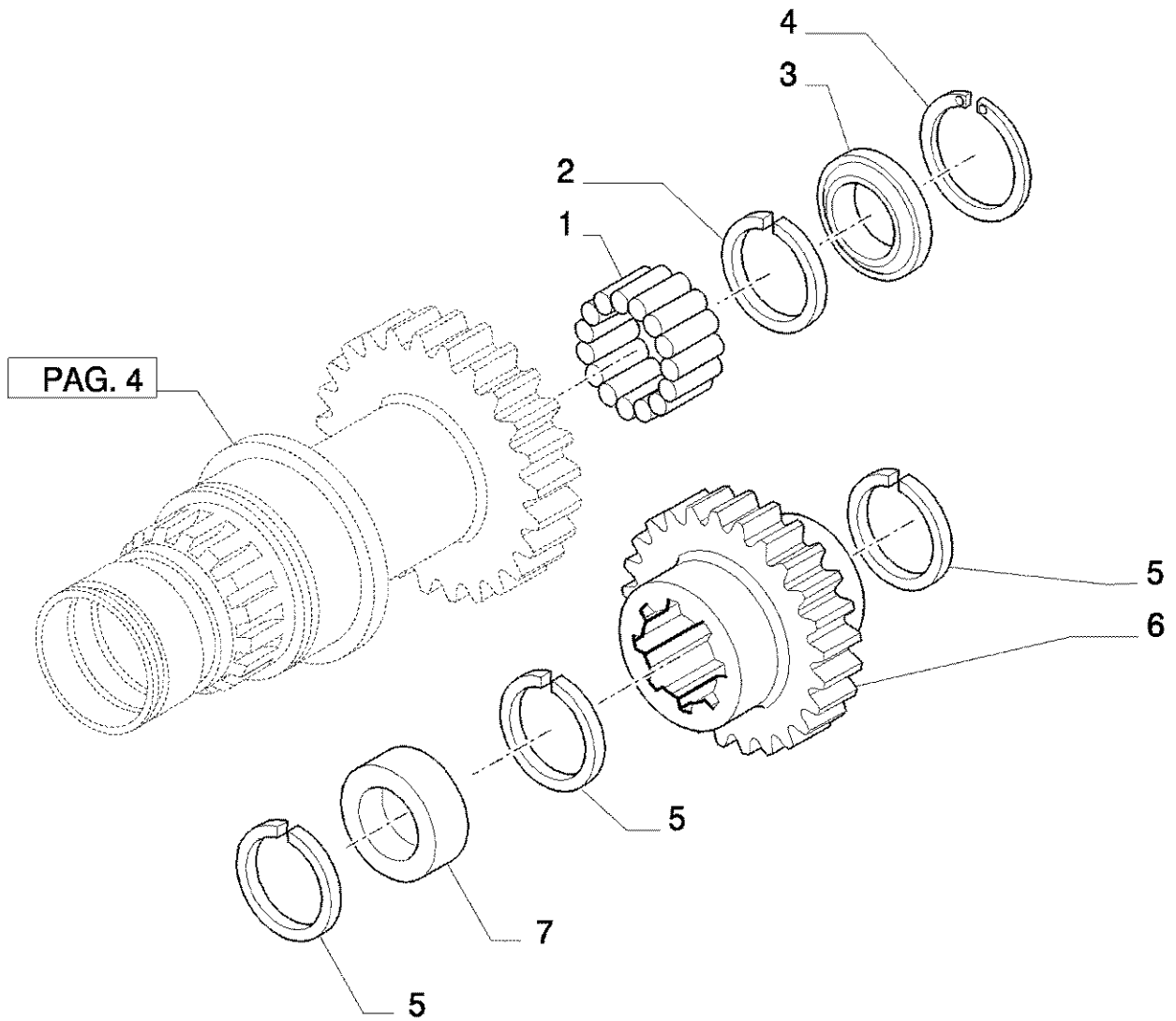
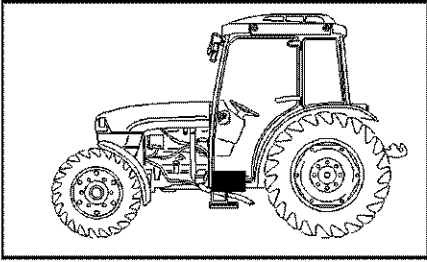
PAG. 4



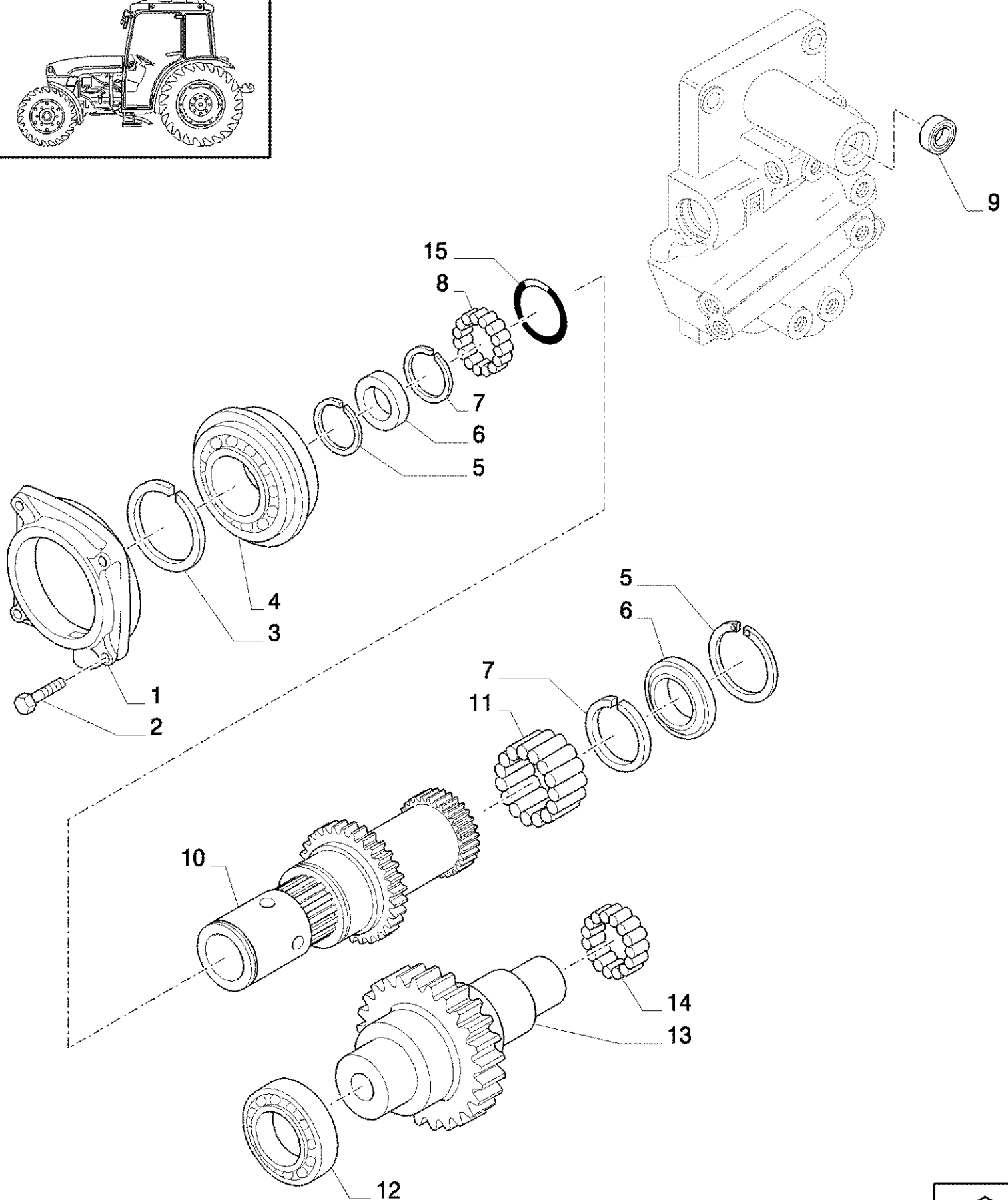
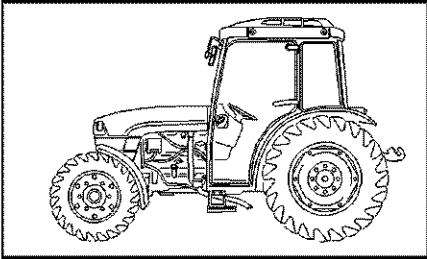
Ref	Onderdeelnummer	Kwt	Beschrijving
1	5171654	1	NAAF,
2	5168354	1	LAGER,
3	5171655	1	SLUITRING DRUKPLAAT,
4	80370008	1	RING, SNAP, D=50
5	5197432	1	DICHTINGSSTUK, 3.53x34.52
6	5171664	1	NAAF,
7	5173675	1	RING,
8	5177500	1	DICHTINGSSTUK,
9	5162251	1	RING,
10	5171657	1	SCHIJF,
11	5154744	6	KOPPELINGSAANDRIJFPLAAT,
12	5173294	AR	KOPPELINGSAANDRIJFPLAAT, THICK 2,00 MM
12	5173295	AR	KOPPELING, AANDRIJFPLAAT, THICK 2,20 MM
13	5173750	1	KIT,
14	81864341	6	VEER,



Ref	Onderdeelnummer	Kwt	Beschrijving
1	5168348	2	RING,
2	5168347	1	KOM,
3	5168346	7	VEER,
4	5179794	1	ZUIGER,
5	5172413	1	LEISLOF,
6	5168345	1	DICHTINGSSTUK,
7	5177478	1	KLOKHUIS,
8	5131232	2	KEERRING,
9	5176961	1	MANIFOLD,
11	5177510	1	RING,
12	5168366	1	LAGER,
13	5117076	1	SLUITRING, D=47
14	5168364	1	DICHTINGSRING, 40x47x4
15	5139494	1	SLUITRING, D=45
16	5168362	1	LAGER,
17	14455080	1	O-RING, -033, 70 Duro, 1.989" ID x .070" Thk, (M50.52 ID x 1.78 Thk)
18	5177502	1	AS,
10	16043924	4	BOUT, Hex, M8 x 35, 8.8, Full Thd,

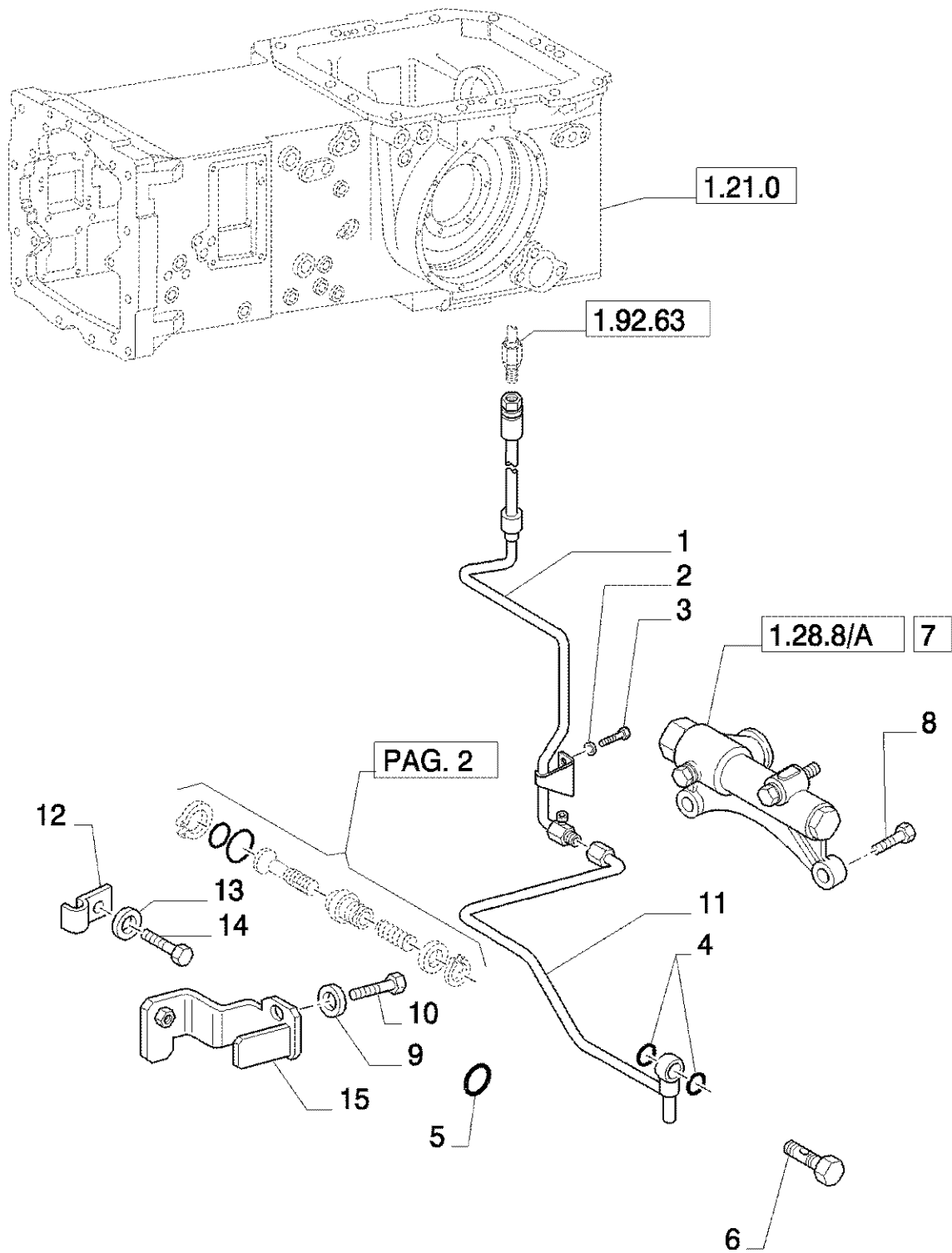
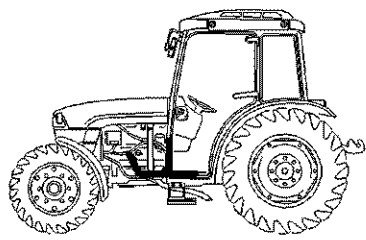


Ref	Onderdeelnummer	Kwt	Beschrijving
1	5128943	1	LAGER, NAALD,
2	5139494	1	SLUITRING,
3	5168364	1	DICHTINGSRING,
4	5117076	1	SLUITRING,
5	5168188	1	RING,
6	5173718	1	TANDWIEL,
7	5183697	1	AFSTANDSRING,



Ref	Onderdeelnummer	Kwt	Beschrijving
1	5176961	1	MANIFOLD,
3	5177510	1	RING,
4	5168366	1	LAGER,
5	5117076	1	SLUITRING,
6	5168364	2	DICHTINGSRING,
7	5139494	2	SLUITRING,
8	5168362	1	LAGER,
9	5168241	1	DICHTINGSSTUK,
10	5177501	1	AANGEDREVEN AS, LOW
11	5128943	1	LAGER, NAALD,
12	20705250	1	LAGER, KOGEL,
13	5177539	1	AANGEDREVEN TANDWIEL, LOW
14	5168198	1	LAGER,
15	14455080	1	O-RING, -033, 70 Duro, 1.989" ID x .070" Thk,
2	16043924	4	BOUT, Hex, M8 x 35, 8.8, Full Thd,

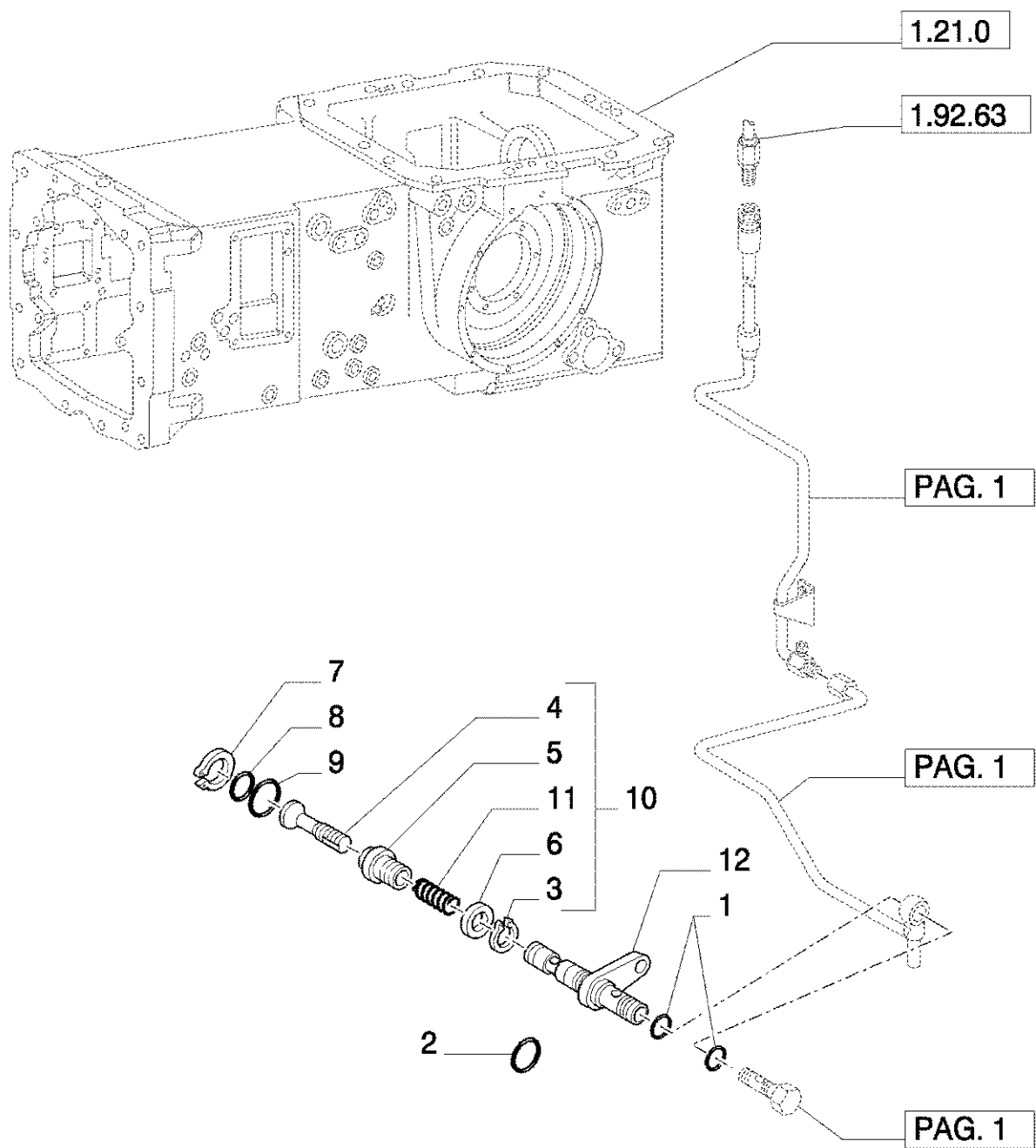
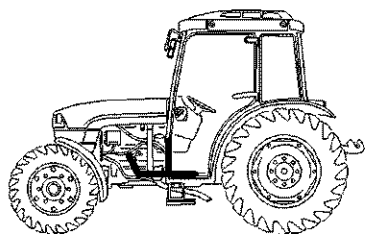
1.28.8(01) SMERING VERSNELLING



1.28.8(01) SMERING VERSNELLING

Ref	Onderdeelnummer	Kwt	Beschrijving
1	5183798	1	VASTE BUIS, FRONT
2	11193874	2	WASHER, SPRING, Belleville, M8.4,
3	16043224	2	BOUT, Hex, M8 x 16, 8.8, Full Thd,
4	10259960	2	DICHTRING, M18.3 x 24 x 1.5,
5	5103230	1	DICHTINGSSTUK, 2.62x11.91
6	5188580	1	VERBINDINGSBOUT, M18x34
7	5186117	1	KLEP, HYDRAULISCH,
8	15970724	1	BOUT, Hex, M10 x 1.25 x 25, 8.8, Full Thd,
9	10517074	1	VEERRING, D=12
10	15540024	1	BOUT, Hex, M12 x 1.25 x 16, 8.8, Full Thd,
11	5186423	1	VASTE BUIS, REAR
12	5178447	1	STEUNBEUGEL,
13	10516474	1	VEERRING, D=6
14	10902024	1	BOUT, Hex, M6 x 12, 8.8, Full Thd,
15	5182992	1	STEUNBEUGEL,

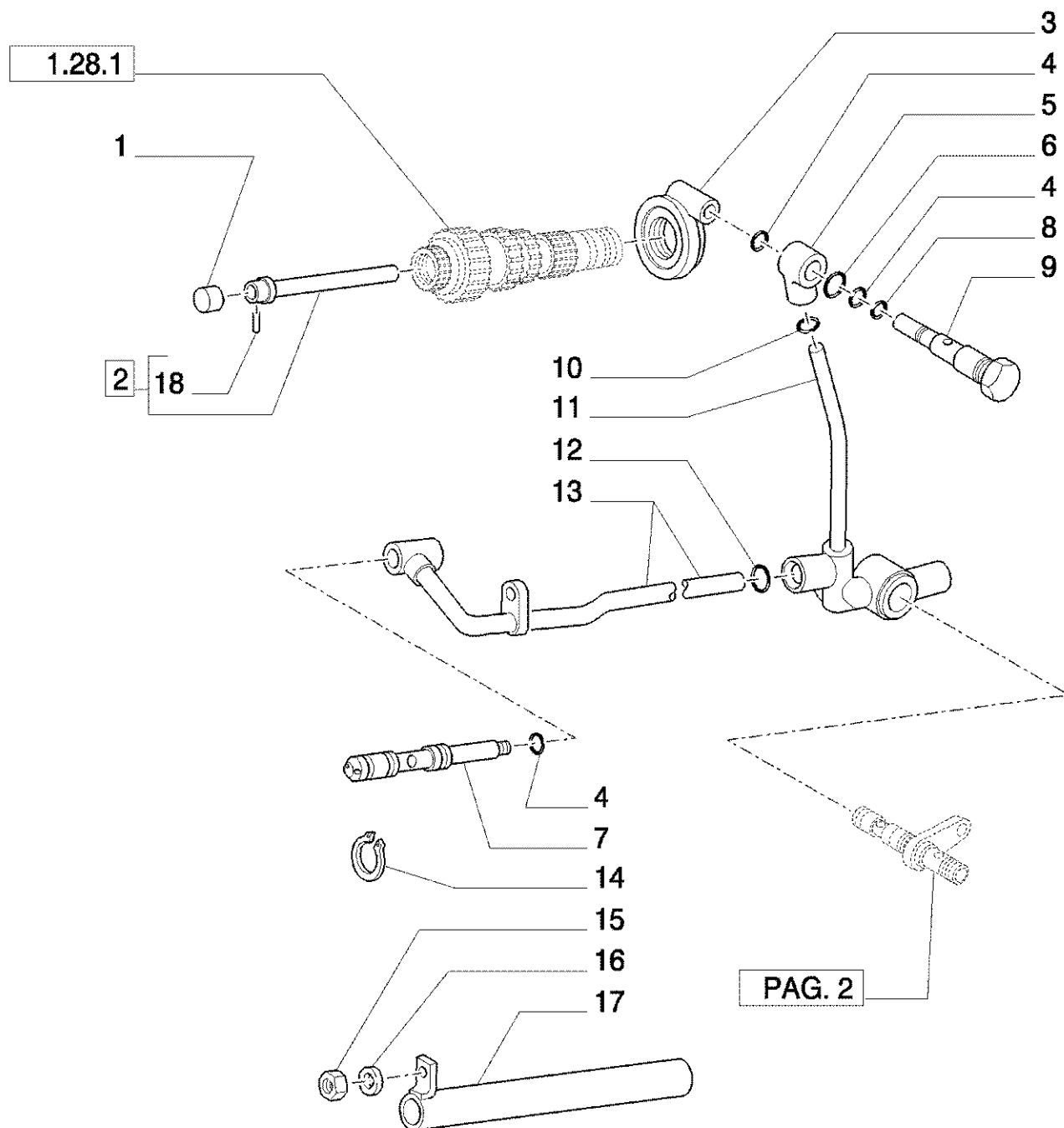
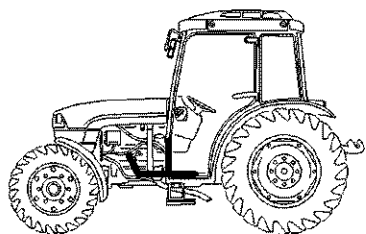
1.28.8(02) SMERING VERSNELLING



1.28.8(02) SMERING VERSNELLING

Ref	Onderdeelnummer	Kwt	Beschrijving
1	10259960	2	DICHTRING, M18.3 x 24 x 1.5,
2	5103230	1	DICHTINGSSTUK, 2.62x11.91
3	5165486	1	SLUITRING,
4	5165484	1	KLEP, 1.78x14
5	5165488	1	VERBINDING,
6	5165438	1	AFSTANDSRING,
7	84021874	1	RING, SNAP, M18, Ext,
8	14457281	1	O-RING, -114, CI 7, .612" ID x .103" Thk, 13.94x2.62
10	5180935	1	KLEP,
11	5180927	1	VEER,
12	5177778	1	VERBINDINGSBOUT,
9	5146468	1	O-RING, -113, CI 9, .549" ID x .103" Thk, 13.94x2.62

1.28.8(03) SMERING VERSNELLING

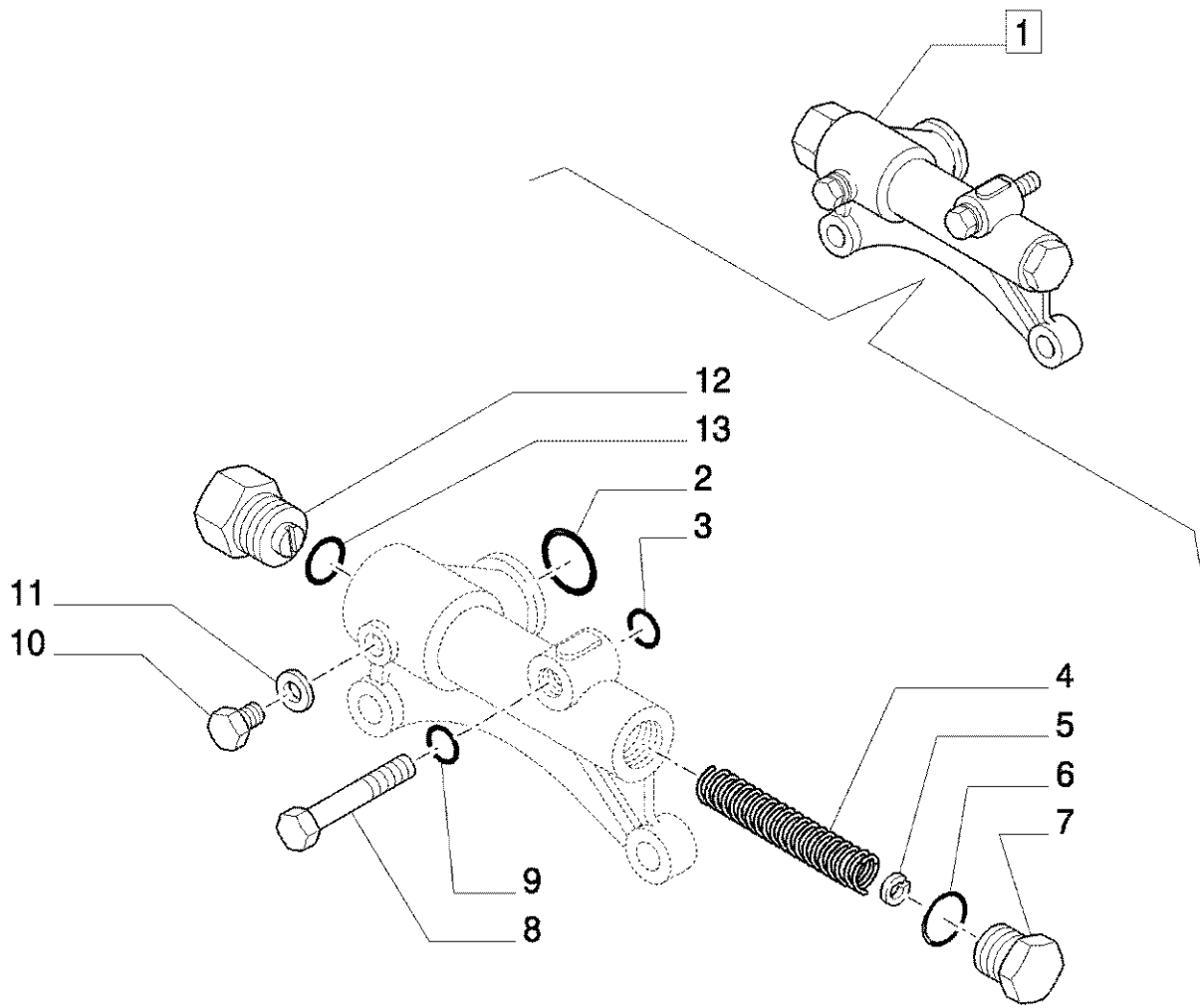
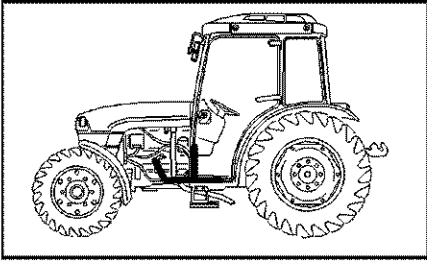


360 KOMPAKT TRACTOR (4/03-) - Transmissie

1.28.8(03) SMERING VERSNELLING

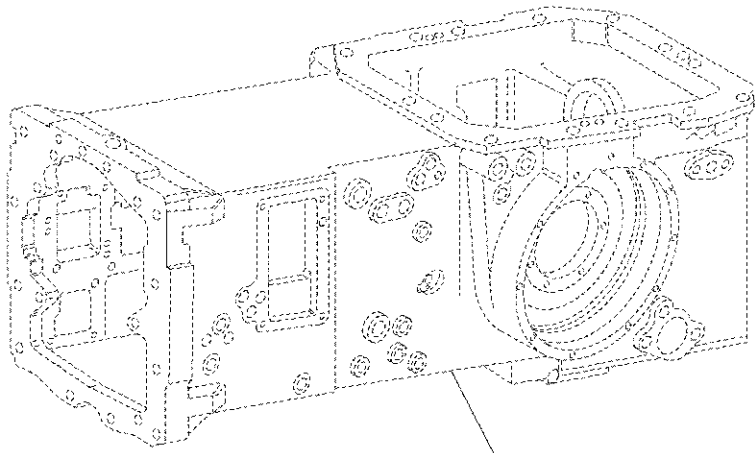
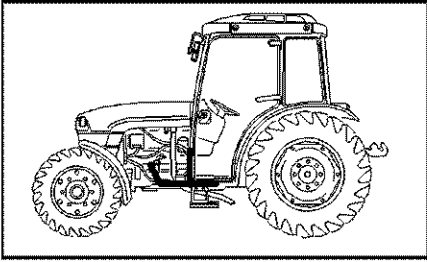
Ref	Onderdeelnummer	Kwt	Beschrijving
1	14328601	1	PLUG, M18, Tapered,
2	5186901	1	VASTE BUIS, SECONDARY
3	5183609	1	MANIFOLD,
4	89827059	3	O-RING, 1.78x14
5	5177779	1	VERBINDING, UPPER
7	5173802	1	VERBINDING,
8	10263460	1	DICHTRING, M22.3 x 28 x 1.5,
9	5173804	1	VERBINDING, REV
10	5135739	2	O-RING, -116, CI 9, .737" ID x .103" Thk, 18.72x2.62
11	5180976	1	VASTE BUIS,
13	5183732	1	VASTE BUIS,
14	84021874	1	RING, SNAP, M18, Ext,
15	16100811	1	MOER, M8, CI 8,
16	11193874	1	WASHER, SPRING, Belleville, M8.4, 8x16
17	5185303	1	VASTE BUIS,
18	14158770	1	SLUITPEN, M2 x 16, Slotted,
6	14453081	1	O-RING, -013, CI 7, .426" ID x .070" Thk,
12	5146468	1	O-RING, -113, CI 9, .549" ID x .103" Thk, 13.94x2.62

1.28.8/ A SMERING VERSNELLING - COMPONENTEN

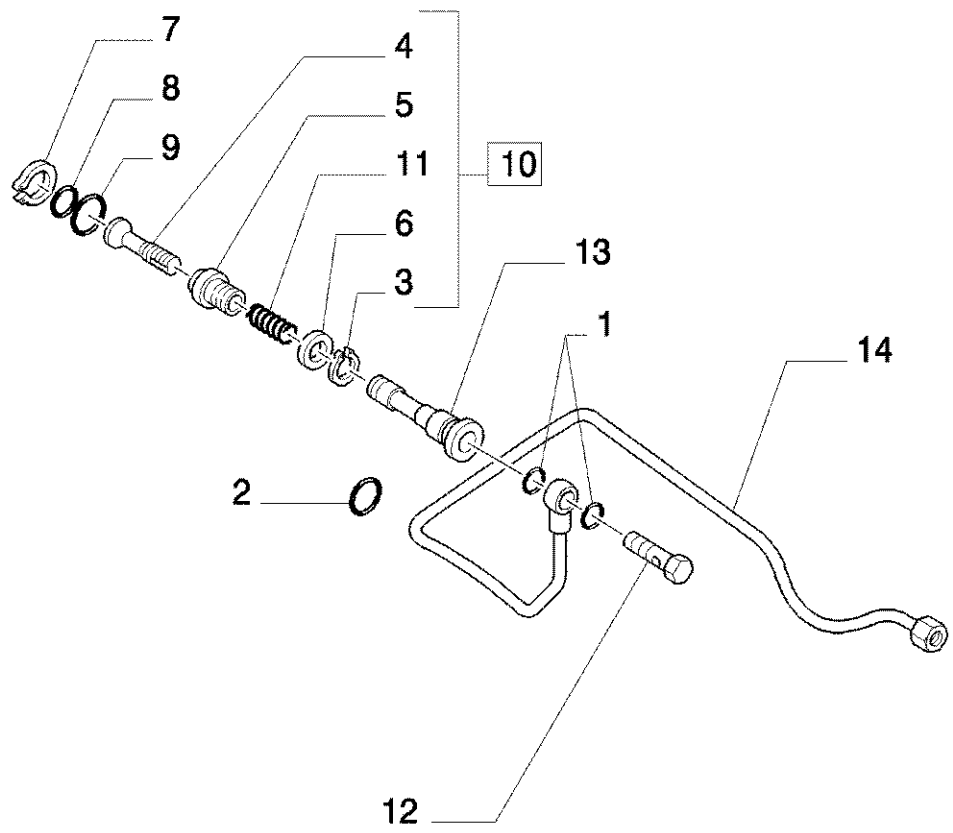


1.28.8/ A SMERING VERSNELLING - COMPONENTEN

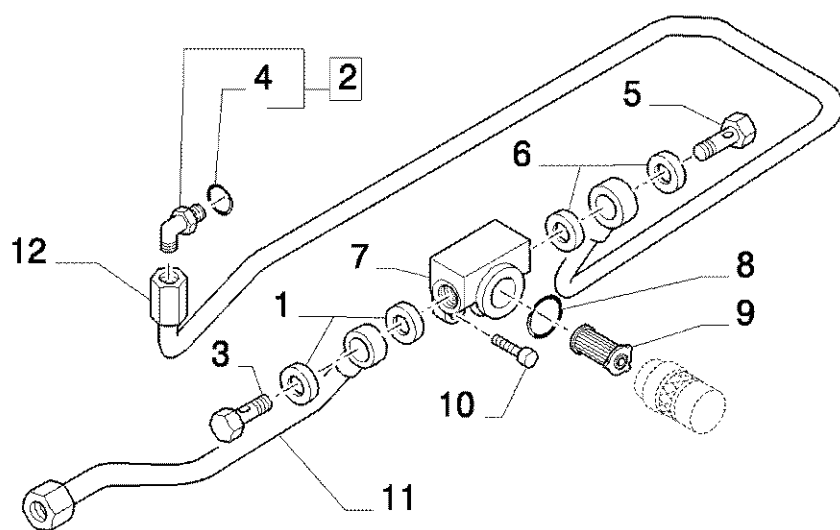
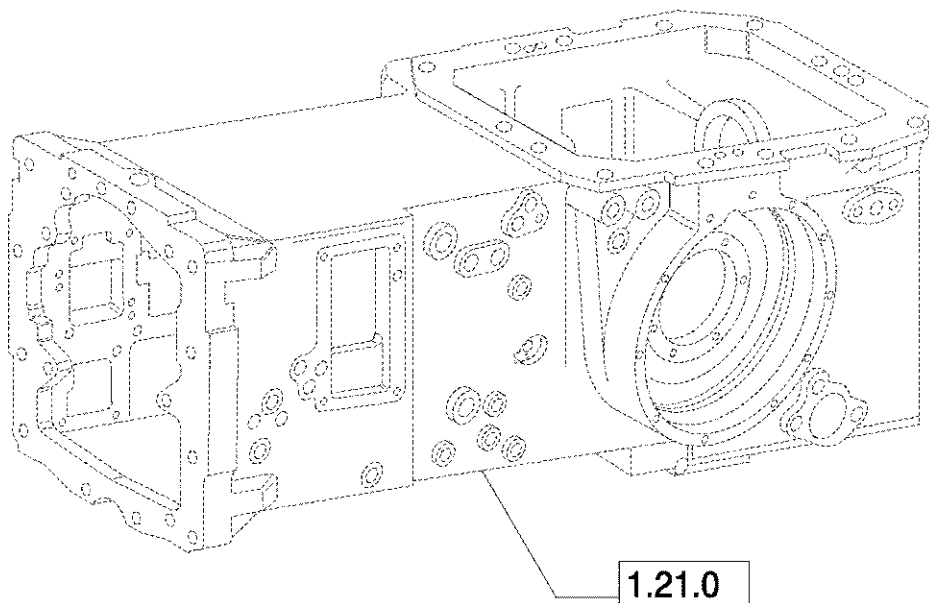
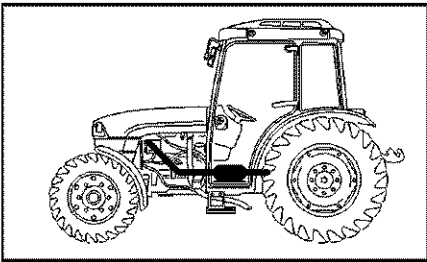
Ref	Onderdeelnummer	Kwt	Beschrijving
1	5186117	1	KLEP, HYDRAULISCH,
2	5135740	1	O-RING, -119, CI 9, .924" ID x .103" Thk,
3	14456981	1	O-RING, -111, CI 7, .424" ID x .103" Thk,
4	5157119	1	VEER,
5	13550101	1	SLUITRING, 5x11
7	5176204	1	PLUG,
8	5188808	1	SCHROEF,
9	14452981	1	O-RING, -012, CI 7, .364" ID x .070" Thk,
10	10300511	1	PLUG, M12 x 1.25 x 12, CI5.8,
11	4858607	1	WASHER, COPPER, 12x17x1.5
12	5173444	1	VERBINDING,
13	14438085	1	O-RING, 19.3MM ID x 2.4 Thk,
6	14437985	1	O-RING, 15.3MM ID x 2.4 Thk,



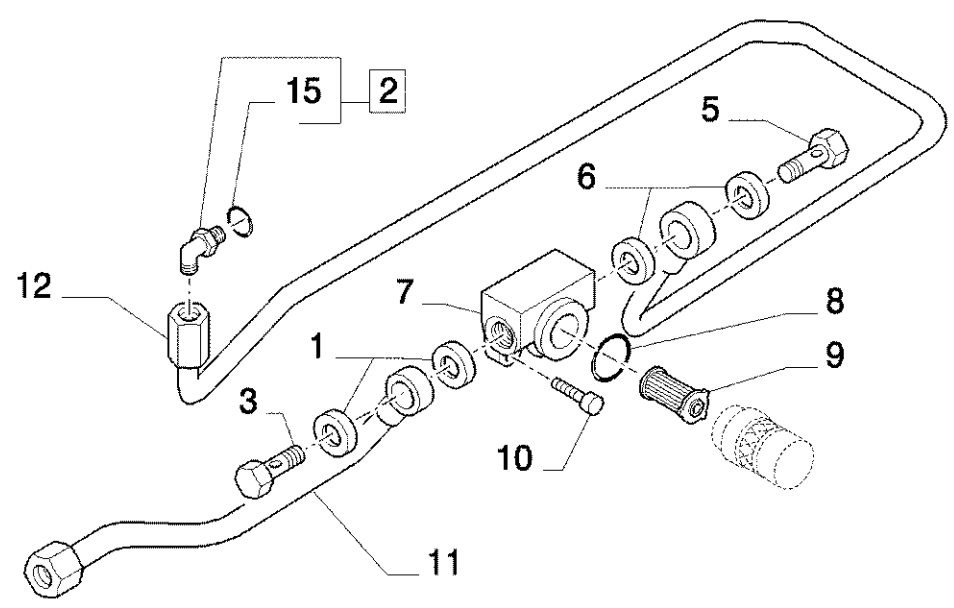
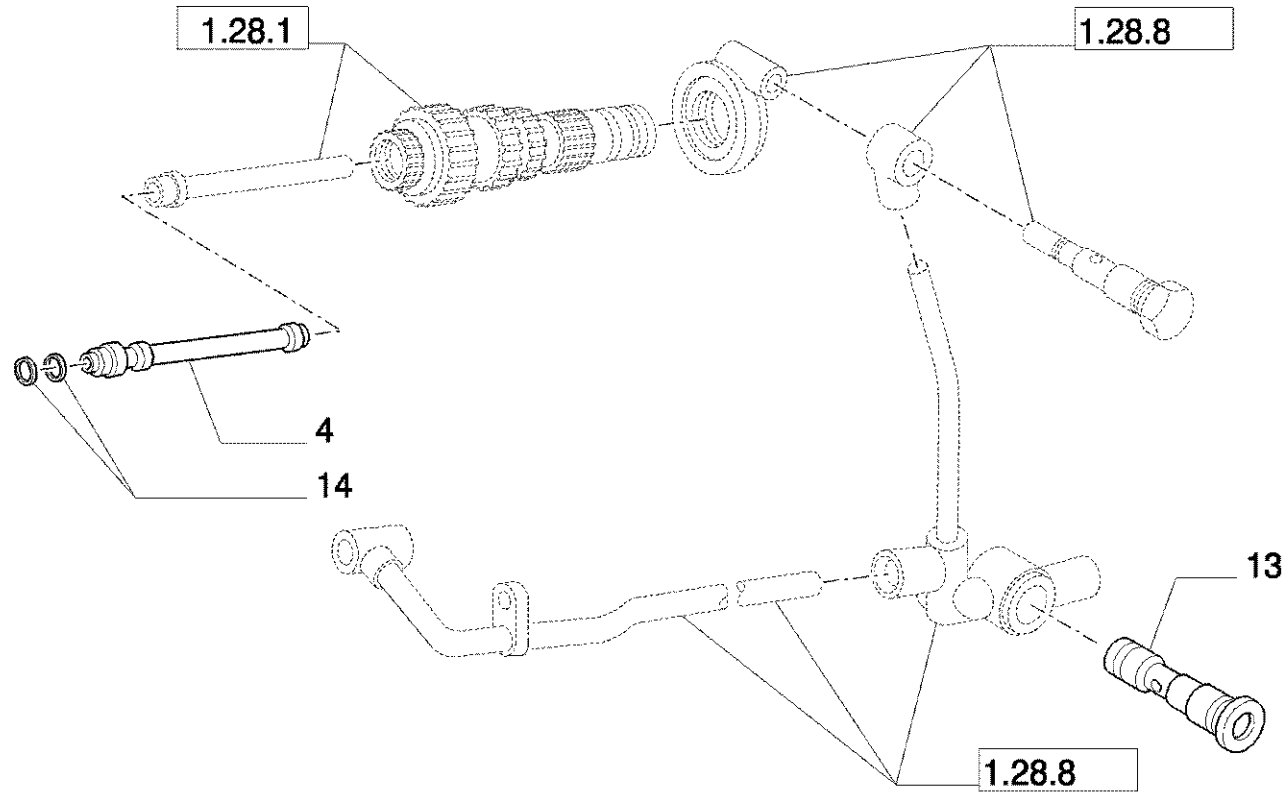
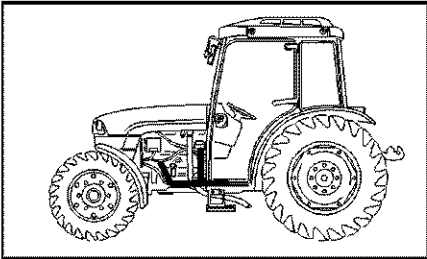
1.21.0



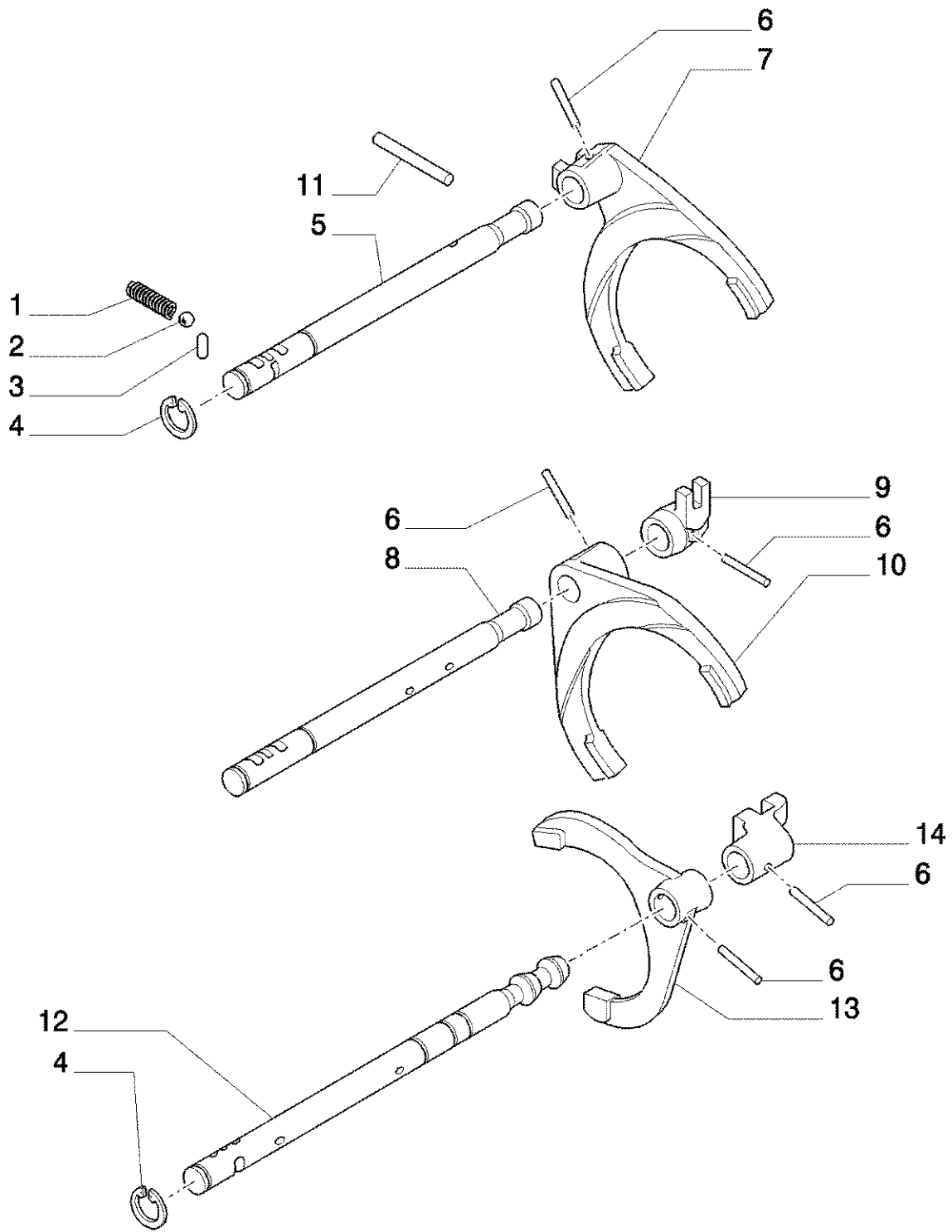
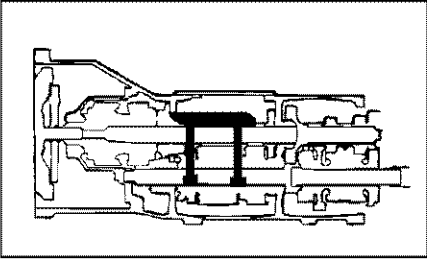
Ref	Onderdeelnummer	Kwt	Beschrijving
1	10259960	2	DICHTRING, M18.3 x 24 x 1.5,
2	5103230	1	DICHTINGSSTUK, 2.62x11.91
3	5165486	1	SLUITRING,
4	5165484	1	KLEP, 1.78x14
5	5165488	1	VERBINDING,
6	5165438	1	AFSTANDSRING,
7	84021874	1	RING, SNAP, M18, Ext,
8	14457281	1	O-RING, -114, CI 7, .612" ID x .103" Thk, (M15.54 ID x 2.62 Thk)
10	5180935	1	KLEP,
11	5180927	1	VEER,
12	5184345	1	VERBINDINGSBOUT,
13	5177777	1	VERBINDINGSBOUT,
14	5188548	1	VASTE BUIS,
9	5146468	1	O-RING, -113, CI 9, .549" ID x .103" Thk, 13.94x2.62



Ref	Onderdeelnummer	Kwt	Beschrijving
1	10263460	2	DICHTRING, M22.3 x 28 x 1.5,
2	5158364	1	VERBINDING, M22x1.5,7/8-14
3	5182095	1	VERBINDINGSBOUT, M22
5	5184345	1	VERBINDINGSBOUT,
6	5167640	3	DICHTRING, 18x24
7	5177856	1	FILTER, INCL REF. 8, 9
8	5178101	1	KIT,
9	47131191	1	
10	16043621	1	BOUT, Hex, M8 x 25, 8.8,
10	16044321	2	BOUT, Hex, M8 x 55, 8.8,
11	5193553	1	VASTE BUIS, FRONT
12	5193388	1	VASTE BUIS, REAR
4	14438085	1	O-RING, 19.3MM ID x 2.4 Thk,



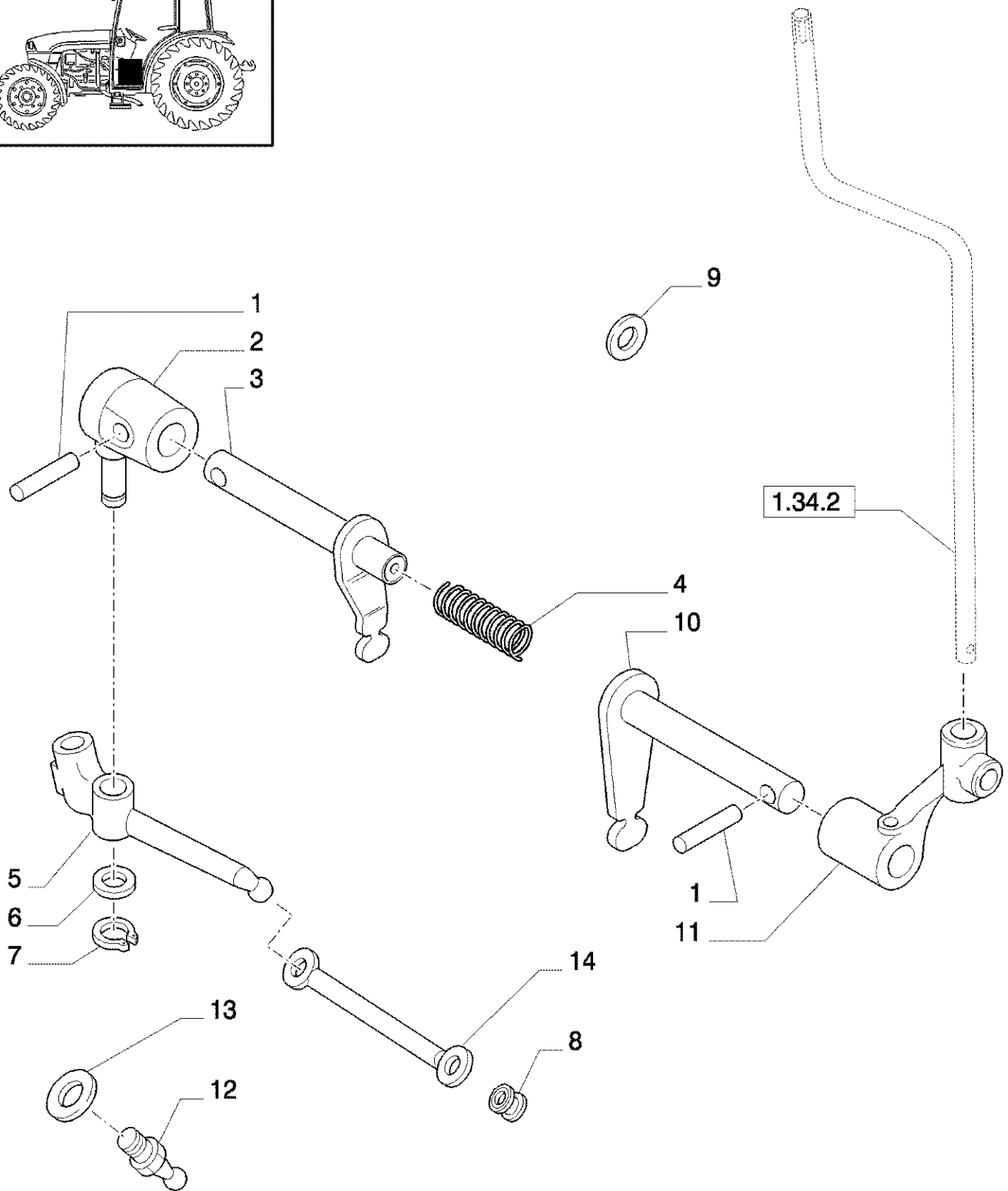
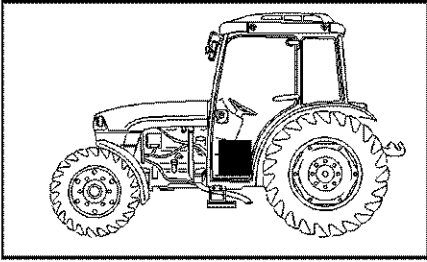
Ref	Onderdeelnummer	Kwt	Beschrijving
1	10263460	2	DICHTRING, M22.3 x 28 x 1.5,
2	5158364	1	VERBINDING, M22x15,7/8-14
3	44909408	1	VERBINDINGSBOUT, M22
4	5173963	1	VASTE BUIS,
5	5173680	1	VERBINDINGSBOUT,
6	5167640	3	DICHTRING, 18x24
7	5177856	1	FILTER, INCL.REF.8 & 9
8	5178101	1	KIT,
9	5178100	1	FILTERELEMENT,
10	16043624	2	BOUT, Hex, M8 x 25, 8.8, Full Thd,
10	16044321	2	BOUT, Hex, M8 x 55, 8.8,
11	5193553	1	VASTE BUIS, FRONT
12	5193388	1	VASTE BUIS, REAR
13	5177777	1	VERBINDINGSBOUT,
14	5174041	2	O-RING, 2.62x13.1
15	14438085	1	O-RING, 19.3MM ID x 2.4 Thk,



1.29.0 INTERNE VERSNELLINGSBESTURING

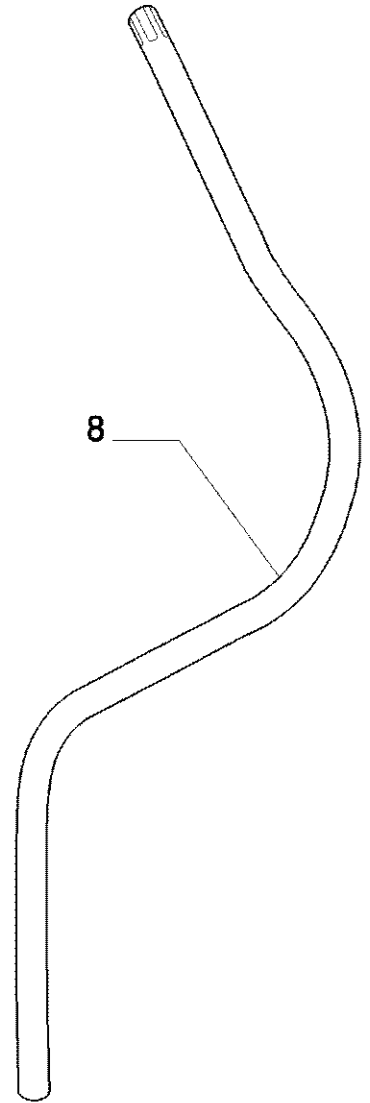
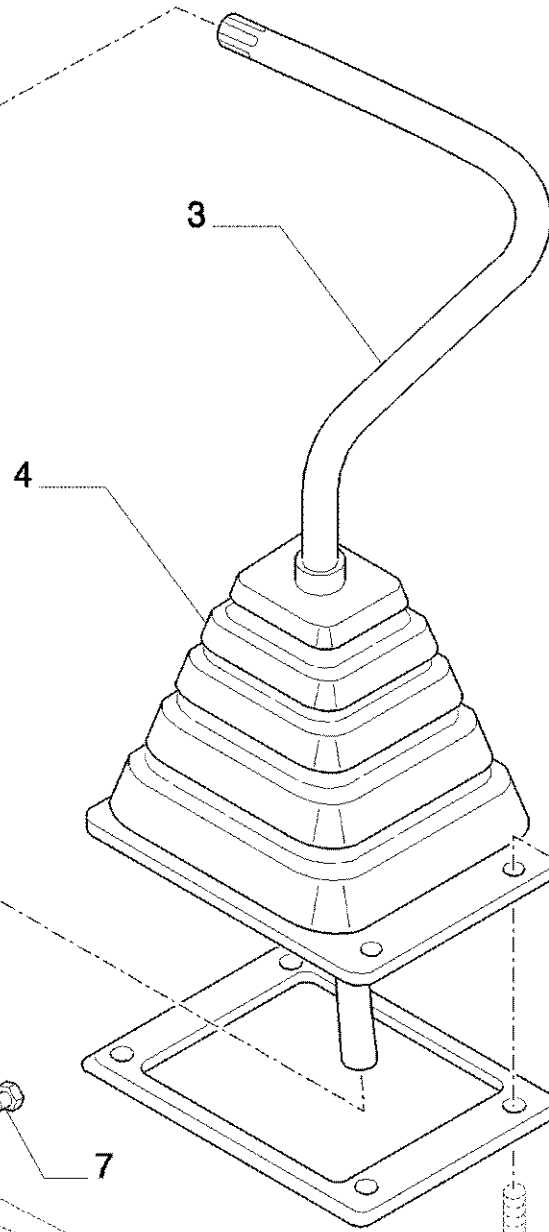
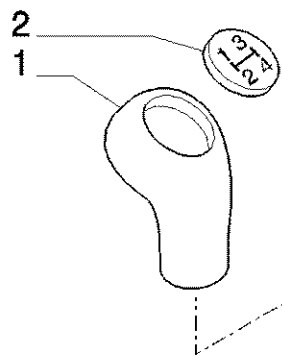
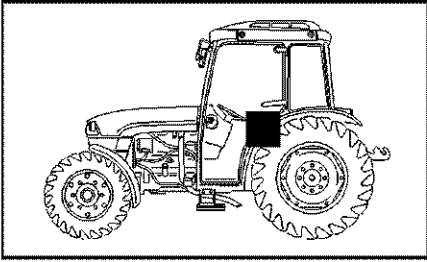
Ref	Onderdeelnummer	Kwt	Beschrijving
1	5168268	3	VEER,
2	20063390	3	KOGEL, D=11/32
3	5149882	1	PAWL,
4	11066476	3	RING, SNAP, M16, Ext, D=16
5	5177302	1	STANG, 1ST/2ND GEAR
6	13910370	5	SPANSTIFT, M6 x 30, Coiled,
7	5171985	1	VORK, 1ST/2ND GEAR
8	5177303	1	STANG, 3RD/4TH GEAR
9	5172005	1	MEENEEMSTUK, 3RD/4TH GEAR
10	5171991	1	VORK, 3RD/4TH GEAR
11	10337110	1	STEL PEN, M6 x 45, 6x45
12	47130818	1	STANG, REV
13	47125919	1	VORK, REV
14	5178133	1	MEENEEMSTUK, REV

1.29.1(01) EXTERNE VERSNELLINGSBESTURIN



Ref	Onderdeelnummer	Kwt	Beschrijving
1	86977791	2	SLUITPEN, M8 x 45, Slotted,
2	5168293	1	NAAF,
3	5175146	1	STANG,
4	5157487	1	VEER,
5	87319874	1	
6	13550704	1	SLUITRING,
7	11066476	1	RING, SNAP, M16, Ext, D=16
8	5195120	1	LAGERBUS,
9	80128359	2	O-RING, -016, 70 Duro, .614" ID x .070" Thk
10	5178224	1	STANG, REV
11	5184051	1	NAAF,
12	5166895	1	PEN,
13	11193874	1	WASHER, SPRING, Belleville, M8.4, D=8
14	5195119	1	TREKSTANG,

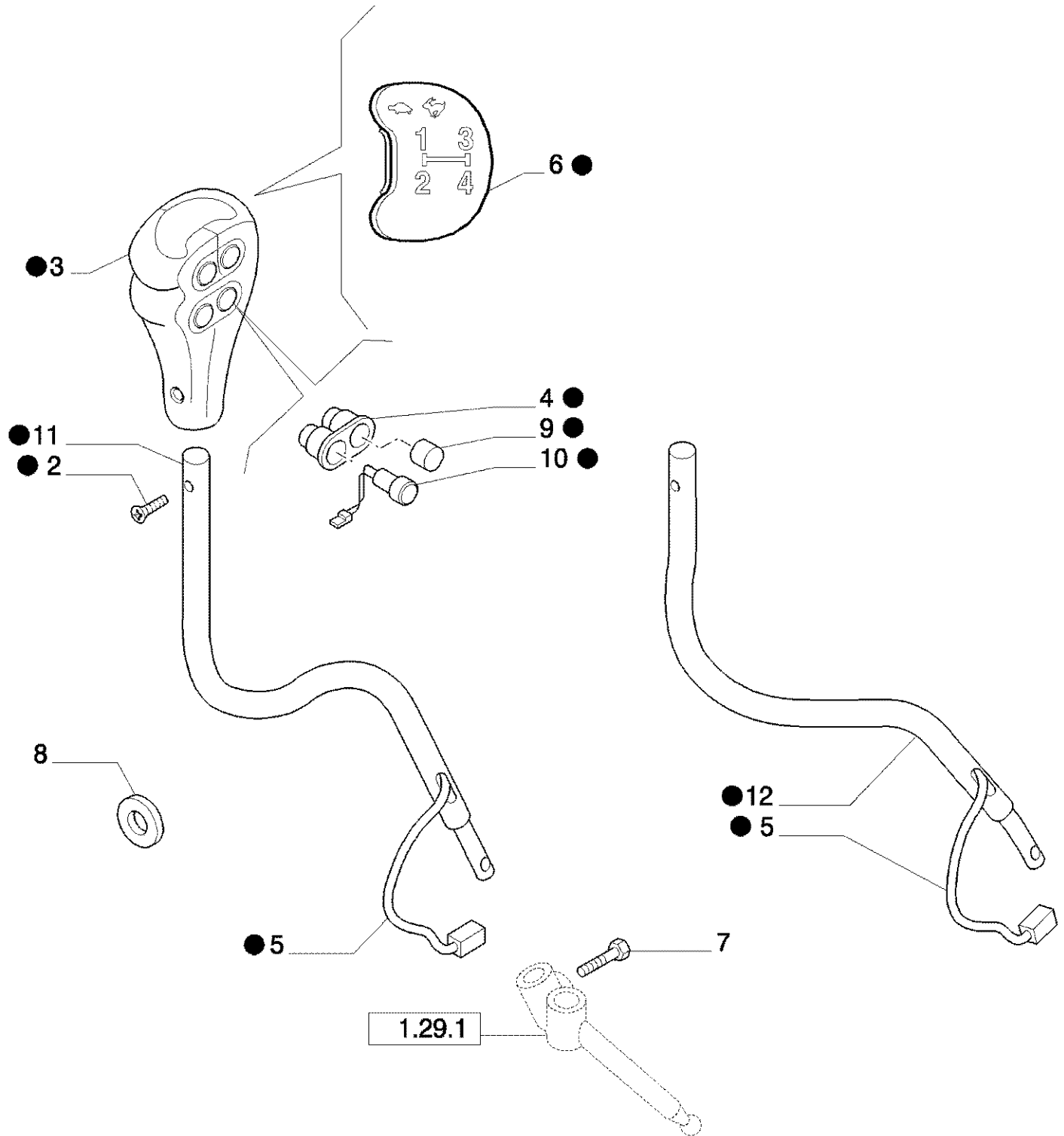
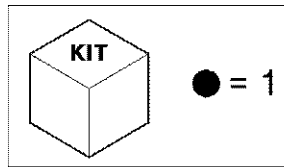
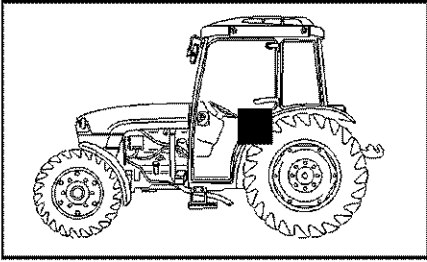
1.29.1(02) EXTERNE VERSNELLINGSBESTURIN



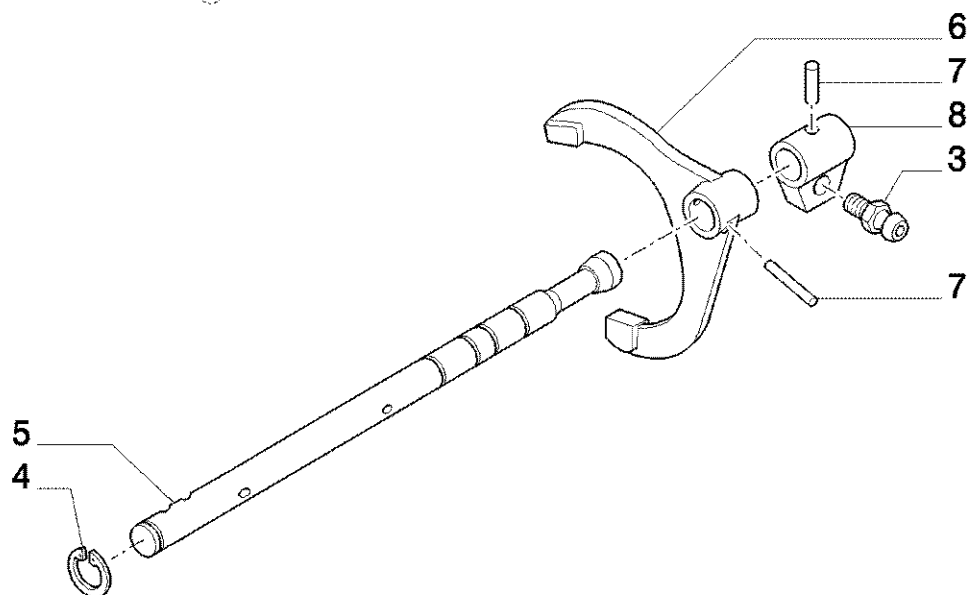
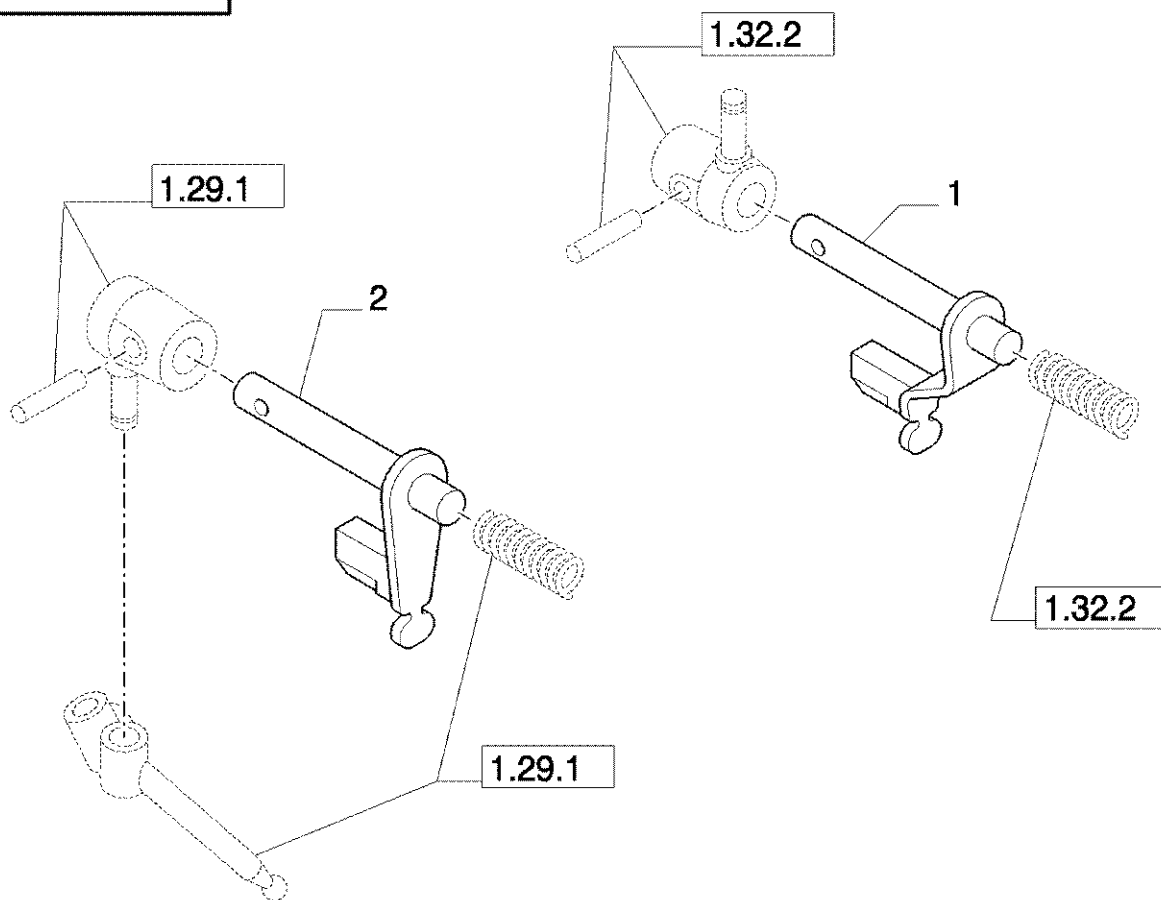
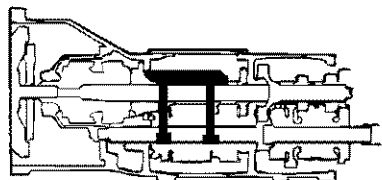
PAG. 1



Ref	Onderdeelnummer	Kwt	Beschrijving
1	47056480	1	KNOP,
2	47056487	1	EMBLEM,
3	5184496	1	HEFBOOM, , -C5409
4	5180694	1	BLAASBALG,
5	5180678	1	PLAAT,
6	12578017	4	MOER, M5
7	44013453	1	SCHROEF, M12x28
8	87398220	1	HEFBOOM, , D5409-

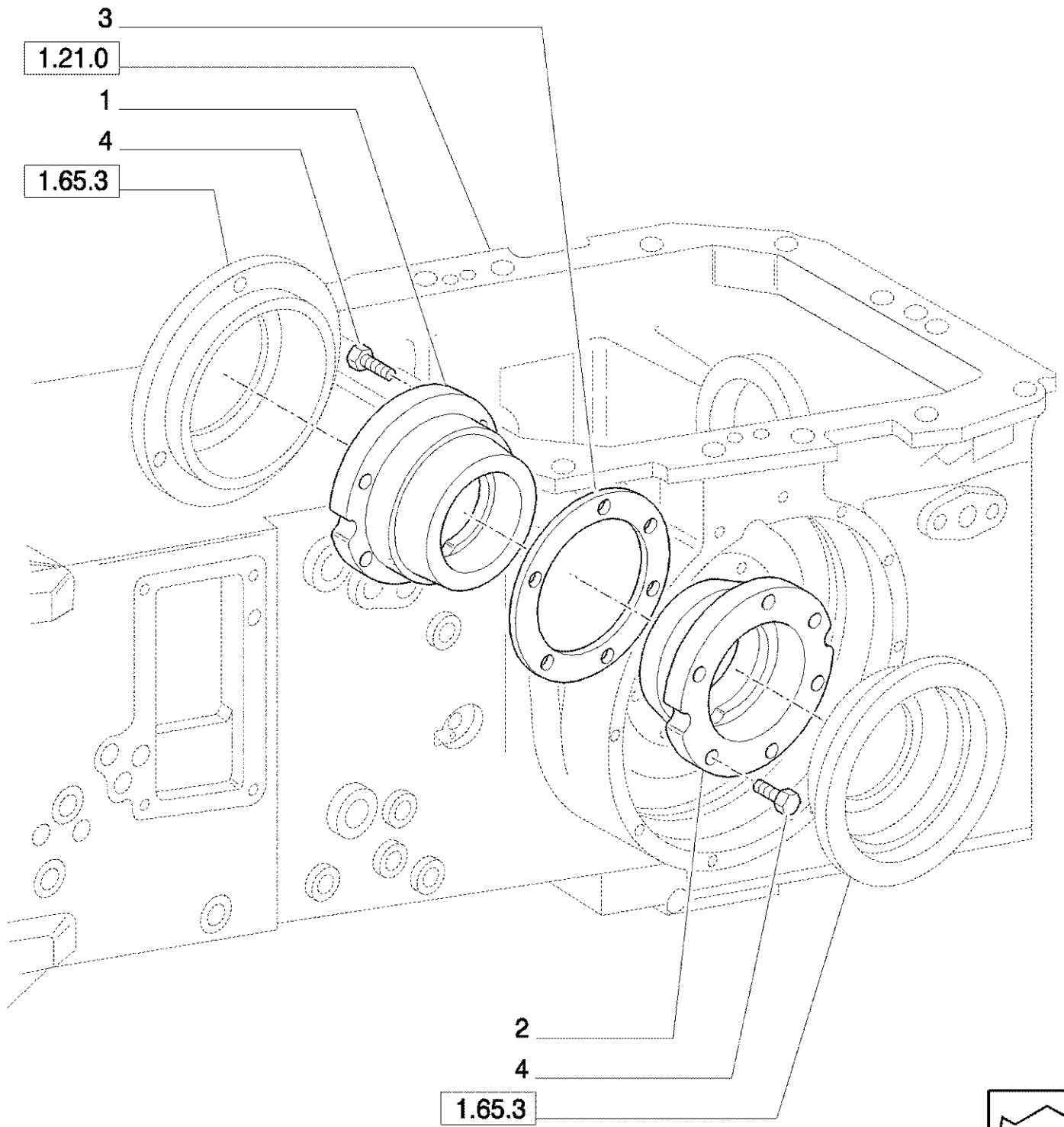
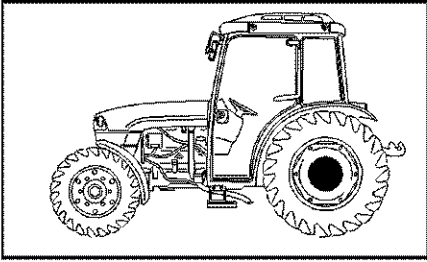


Ref	Onderdeelnummer	Kwt	Beschrijving
1	47056610	1	KNOP, ASSY, -C5409
1	87398214	1	HEFBOOM, ASSY, D5409-
2	13310777	2	SCHROEF, Cross Oval Hd, M5 x 10, CI 12.9,
3	47056380	1	KNOP,
4	47056383	2	SLOT,
5	47136194	1	ELECTRISCHE KABEL,
6	47056384	2	KOMBEKLEDING,
7	44013453	1	SCHROEF,
8	11193874	1	WASHER, SPRING, Belleville, M8.4, 8X16X1.4
9	47056407	2	PLUG,
10	47136202	1	SCHAKELAAR, HI, Black
10	47136203	1	SCHAKELAAR, LO, Black
11	47056878	1	HEFBOOM, , -C5409
12	87398213	1	, D5409-



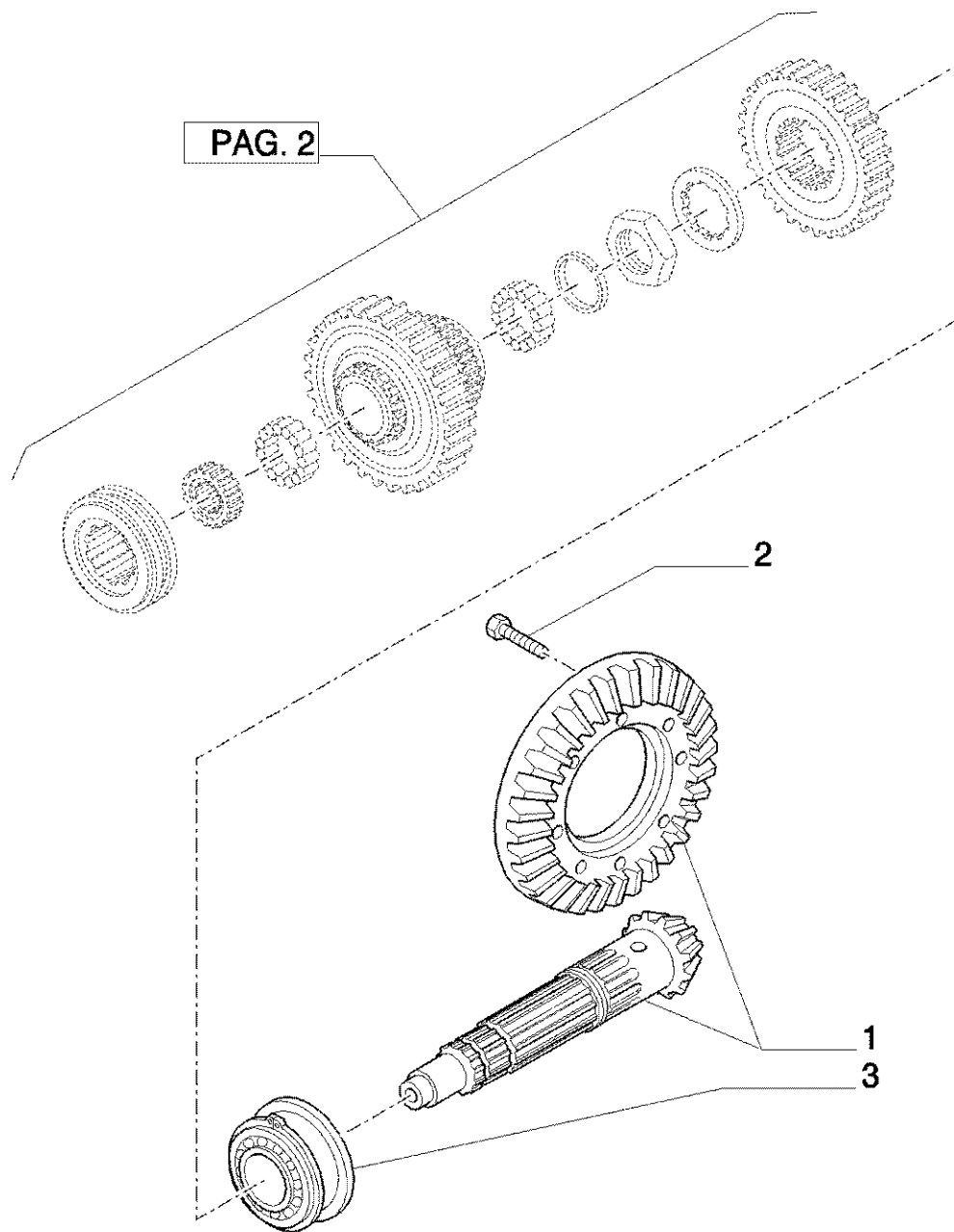
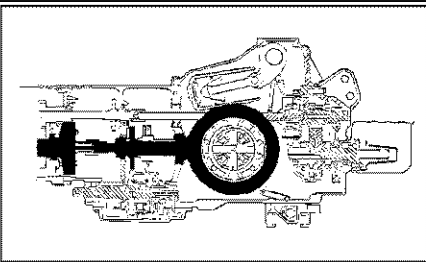
Ref	Onderdeelnummer	Kwt	Beschrijving
1	5177800	1	STANG,
2	5177795	1	STANG,
3	5168372	1	SCHROEFSTANG,
4	11066476	2	RING, SNAP, M16, Ext, D=16
5	47130805	1	STANG, Rev.
6	47125919	1	VORK, Rev.
7	13910370	2	SPANSTIFT, M6 x 30, Coiled,
8	5168371	1	MEENEEMSTUK, Rev.

1.32.0 KASTEN, DEKSELS EN SUPPORTS

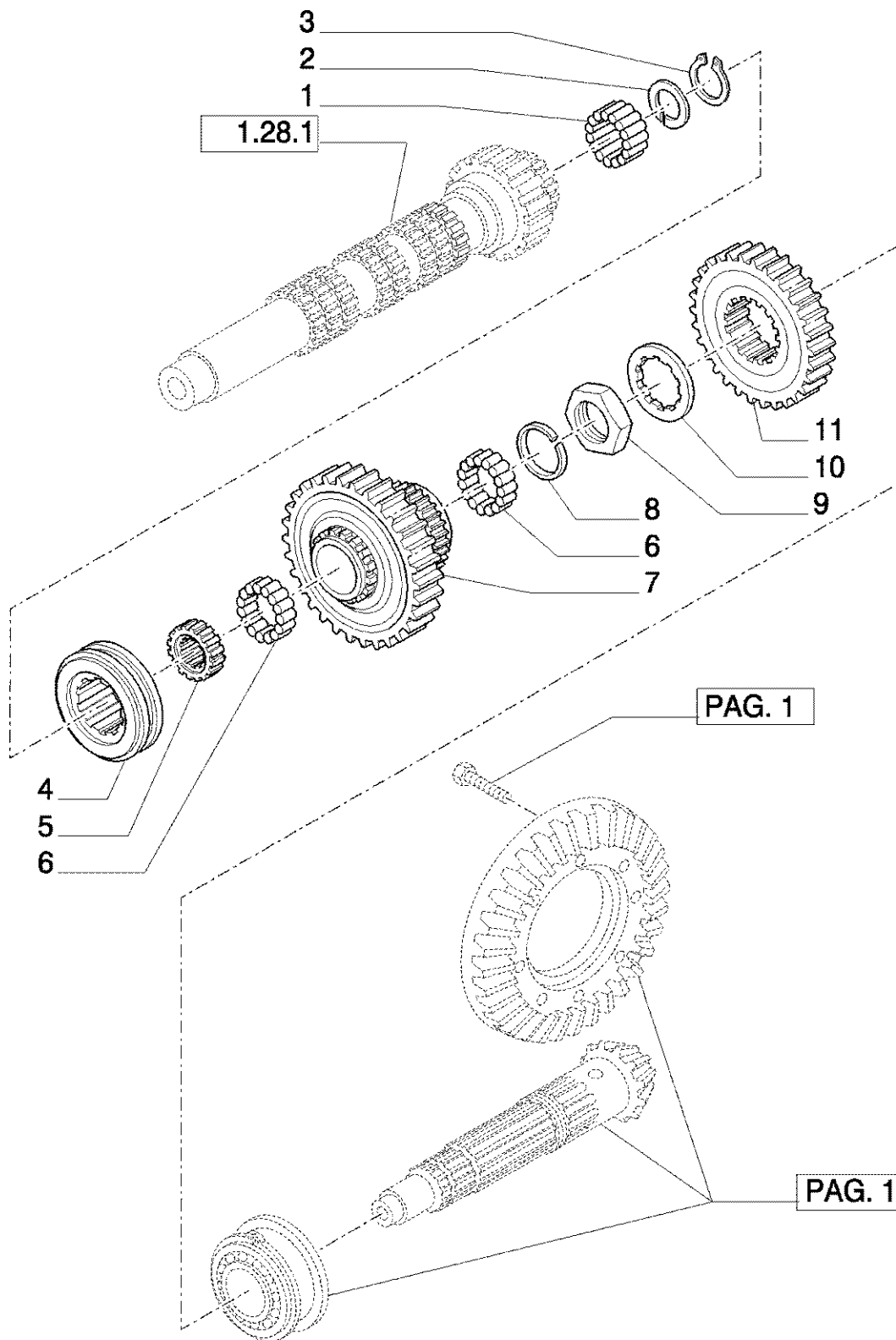
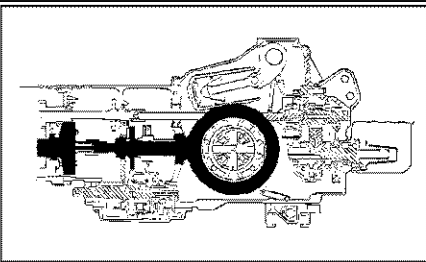


1.32.0 KASTEN, DEKSELS EN SUPPORTS

Ref	Onderdeelnummer	Kwt	Beschrijving
1	5168200	1	STEUN, RH
2	5168201	1	STEUN, LH
3	4991682		AR RING, MM.0.50
3	4991683		AR RING, MM.0.20
3	4991684		AR RING, MM.0.15
4	14233624	12	BOUT, Hex, M10 x 1.25 x 30, M10x1.25x30

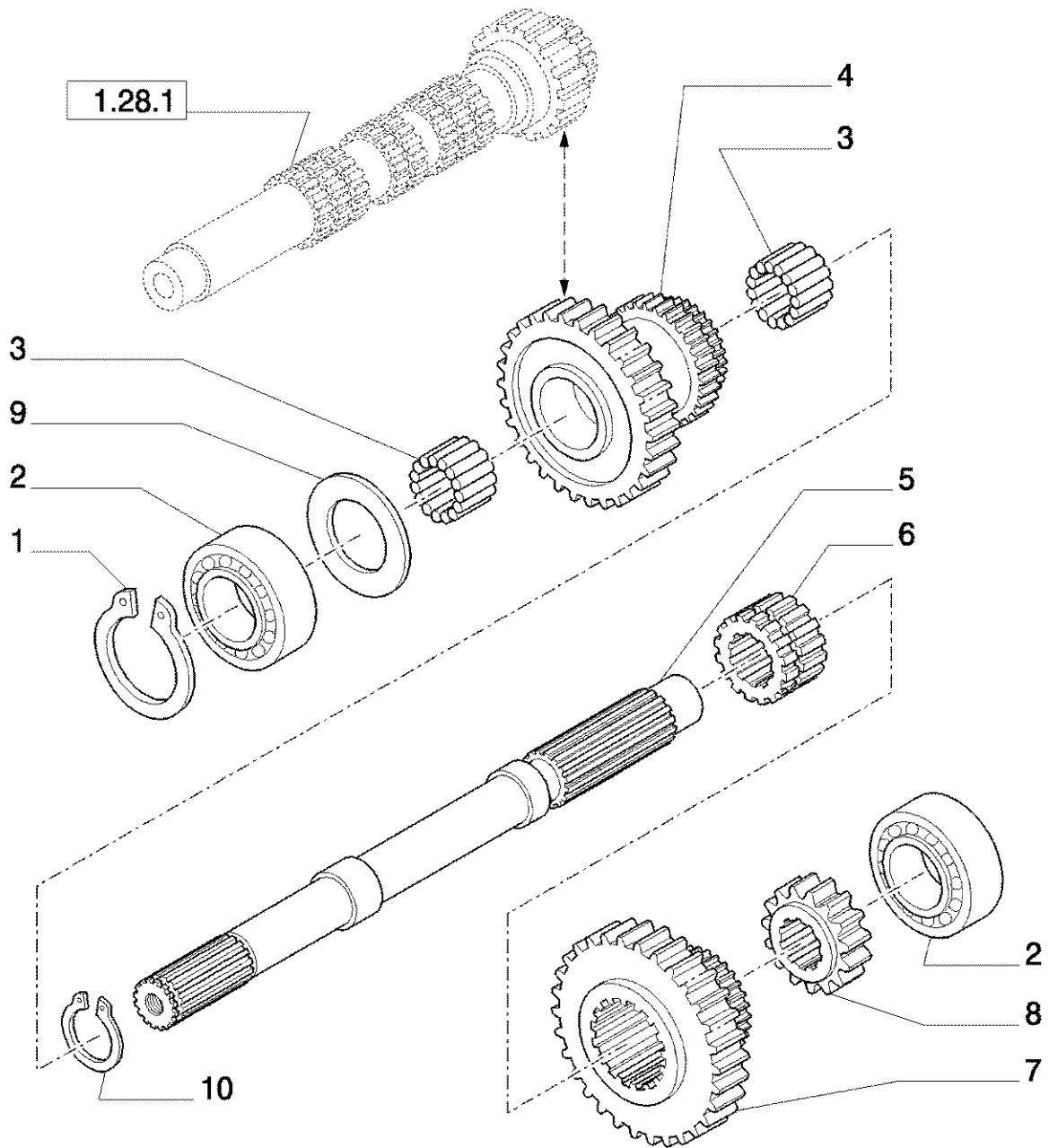
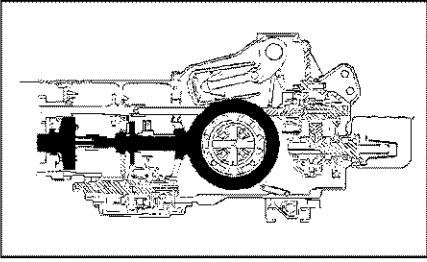


Ref	Onderdeelnummer	Kwt	Beschrijving
1	5173139	1	KONISCHE KOPPELINGEN, RATIO. 9/40
2	14274534	8	BOUT, Hex, M12 x 1.25 x 30,
3	5168205	1	LAGER,

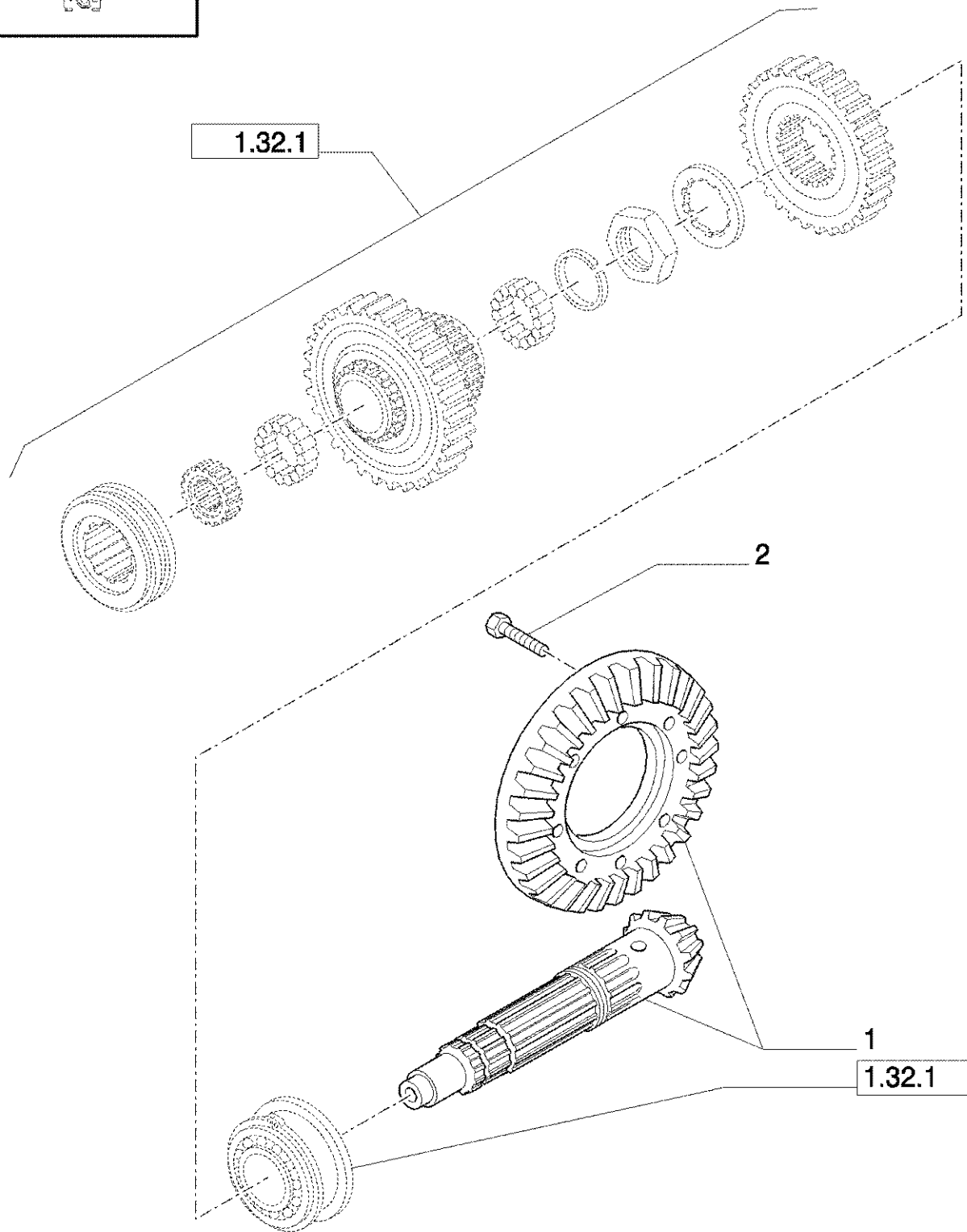
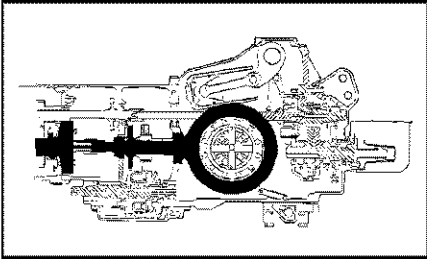


Ref	Onderdeelnummer	Kwt	Beschrijving
1	5168207	1	LAGER, 25x35x30
2	5116573	1	SLUITRING, D=35
3	80370003	1	BORGVEER, M30
4	5175992	1	AANDRIJFLAGERBUS, OUTER
5	5175990	1	AANDRIJFLAGERBUS, INNER
6	5168196	2	LAGER, 35x40x27
7	5187940	1	TANDWIEL, MED/LOW
8	5168197	1	SLUITRING,
9	5171819	1	MOER,
10	5168182	1	SLUITRING, SPECIAL
11	87384789	1	TANDWIEL, MED/HIGH

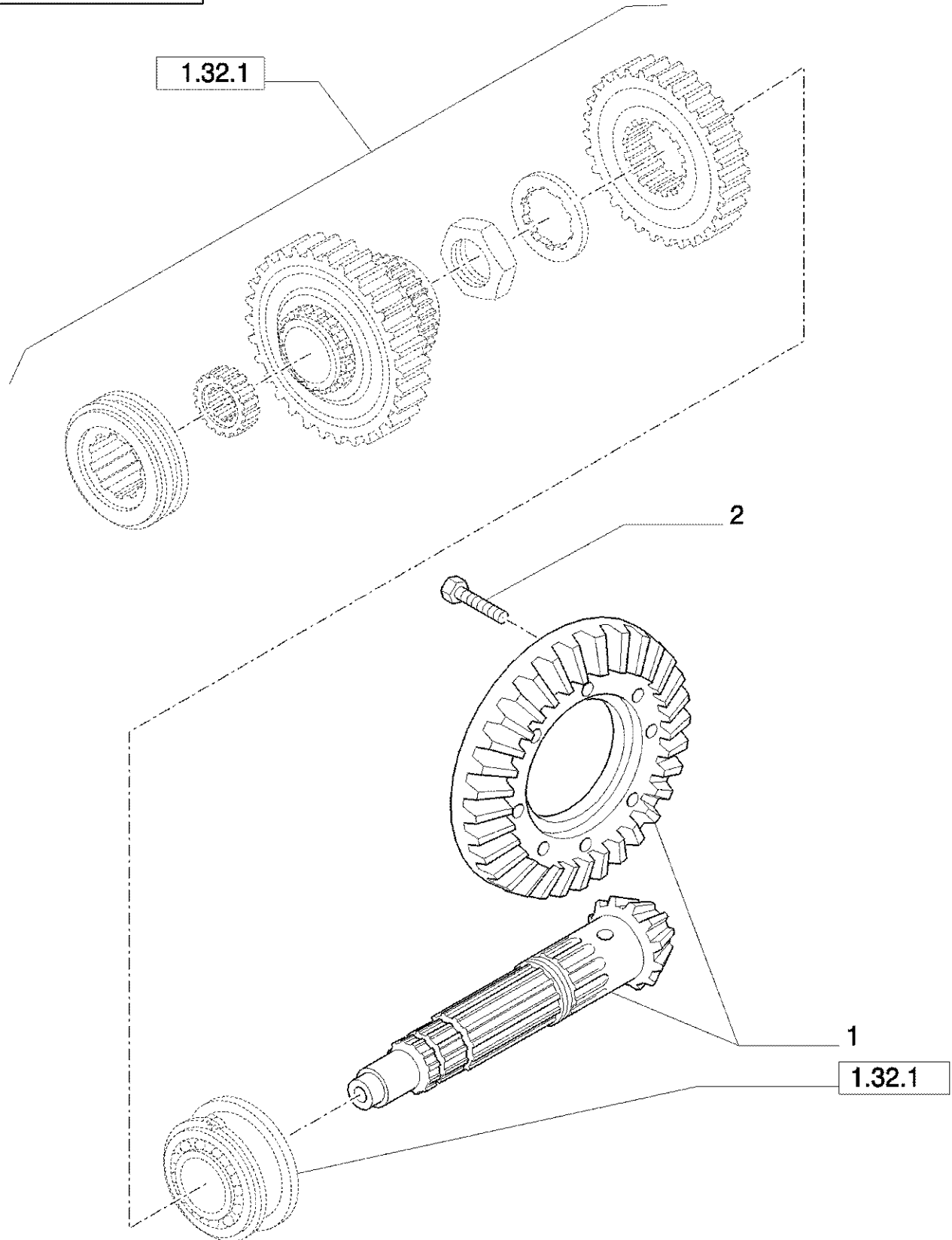
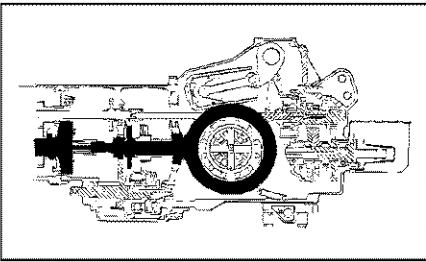
1.32.1(03) RADERWERKEN CENTRALE REDUCTOR



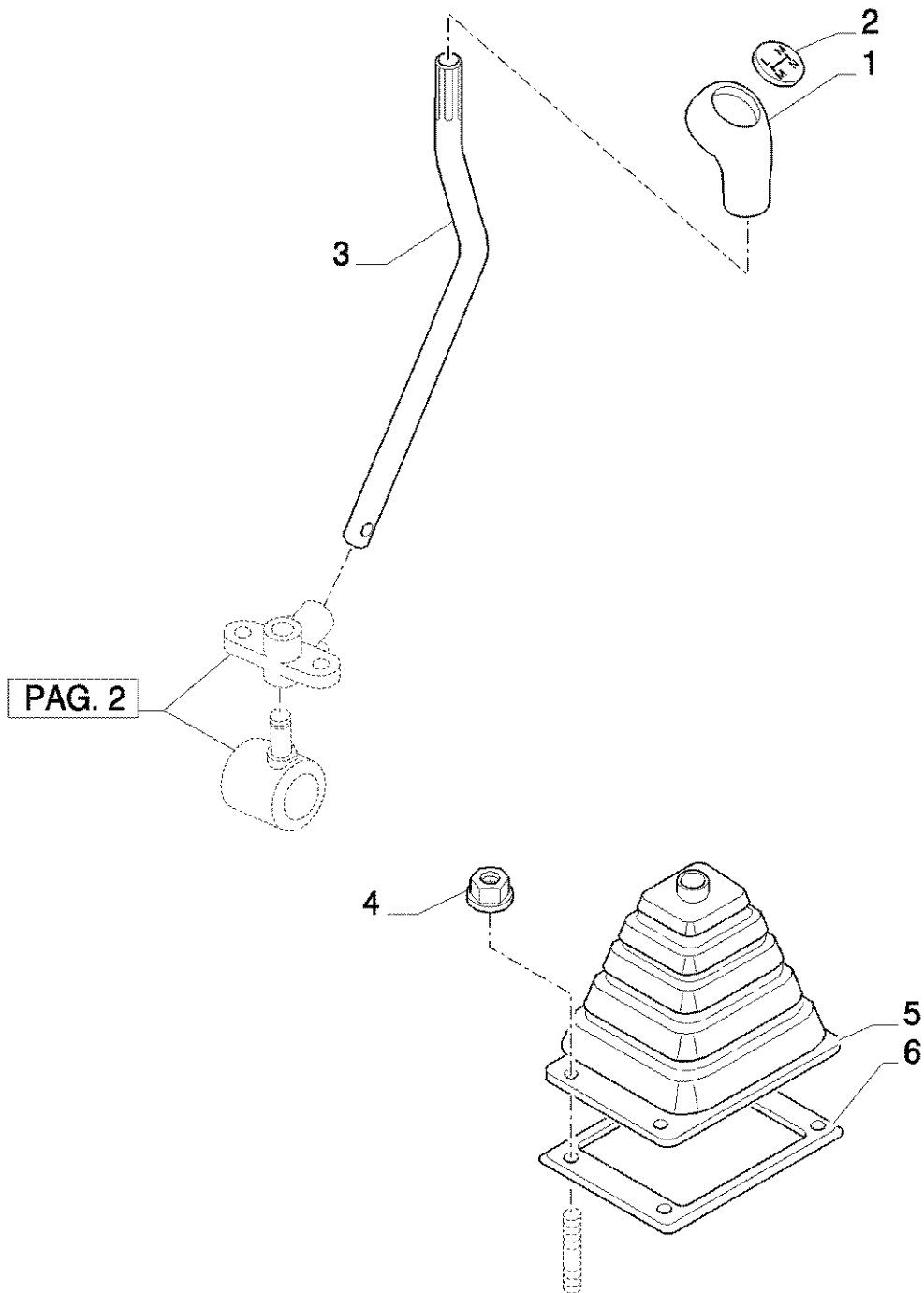
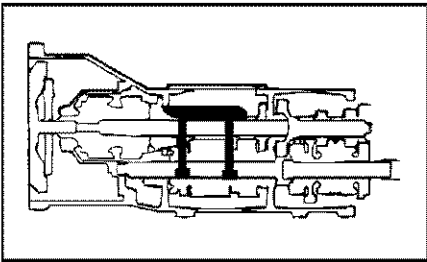
Ref	Onderdeelnummer	Kwt	Beschrijving
1	80300633	1	RING, SNAP, D=80
2	20045200	2	LAGER, KOGEL, 35x80x21
3	5168209	2	LAGER, 40x48x20
4	5187941	1	TANDWIEL, MED/LOW
5	47132215	1	AS,
6	5180744	1	AANDRIJFLAGERBUS, MED/LOW
7	5180745	1	TANDWIEL, LOW
8	87384789	1	TANDWIEL, MED/HIGH
9	5168181	1	SLUITRING DRUKPLAAT,
10	11068376	1	RING, SNAP, M35, Ext,



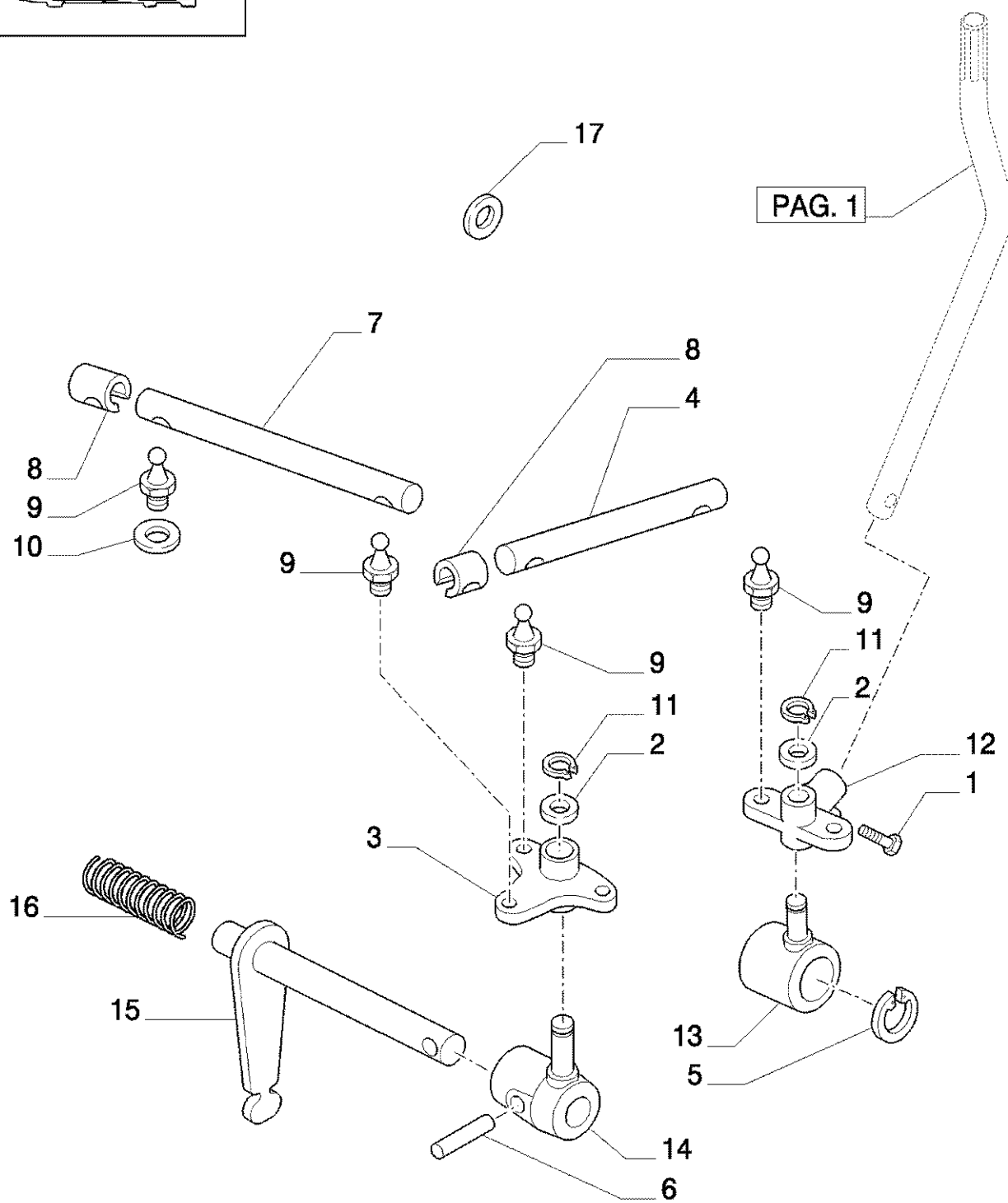
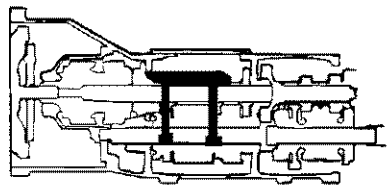
Ref	Onderdeelnummer	Kwt	Beschrijving
1	5173141	1	KONISCHE KOPPELINGEN, RATIO 11/39
2	14274534	8	BOUT, Hex, M12 x 1.25 x 30,



Ref	Onderdeelnummer	Kwt	Beschrijving
1	5173141	1	KONISCHE KOPPELINGEN, RATIO 11/39
2	14274534	8	BOUT, Hex, M12 x 1.25 x 30,



Ref	Onderdeelnummer	Kwt	Beschrijving
1	47056480	1	KNOP,
2	47056485	1	EMBLEM,
3	5184494	1	HEFBOOM,
4	12578017	4	MOER,
5	5180694	1	BLAASBALG,
6	5180678	1	PLAAT,

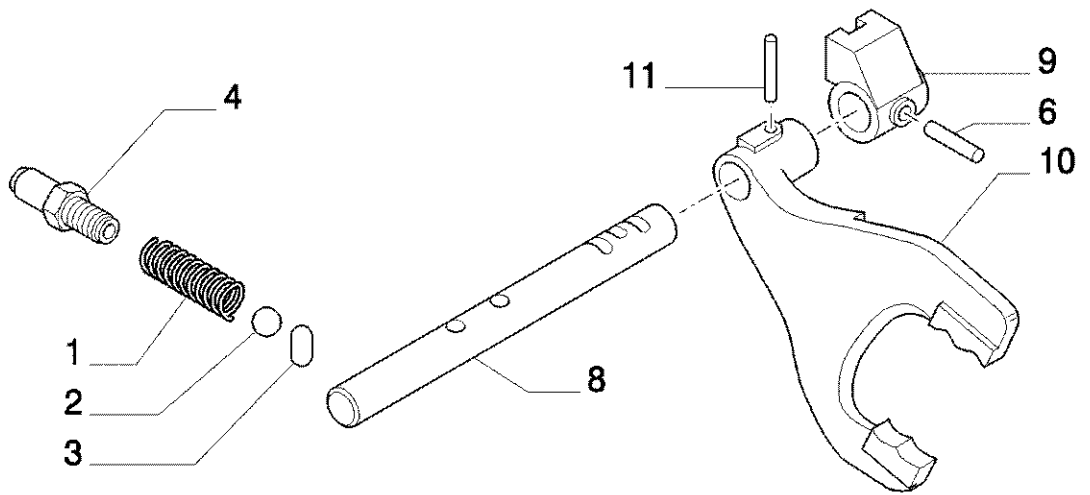
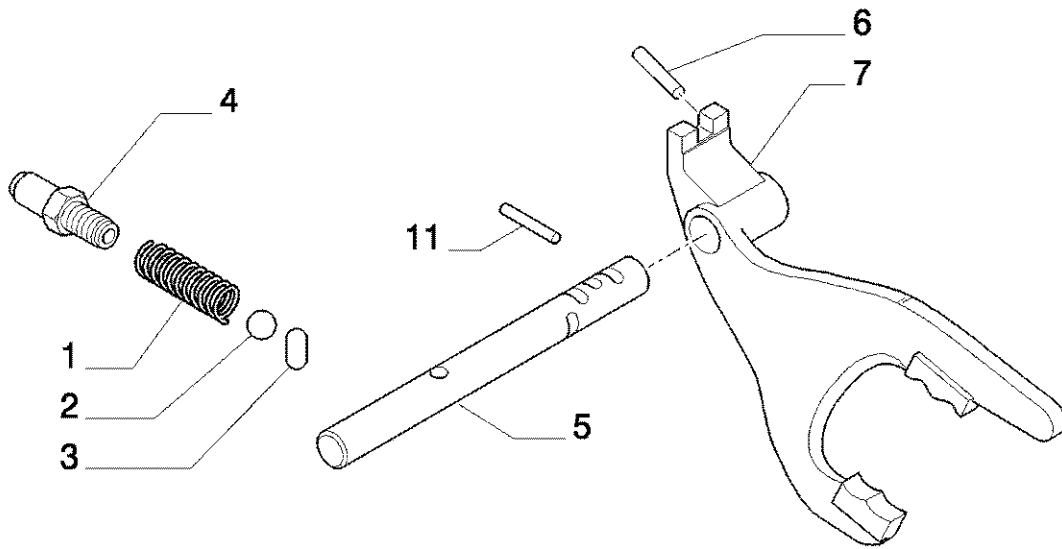
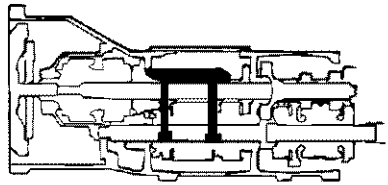


360 KOMPAKT TRACTOR (4/03-) - Transmissie

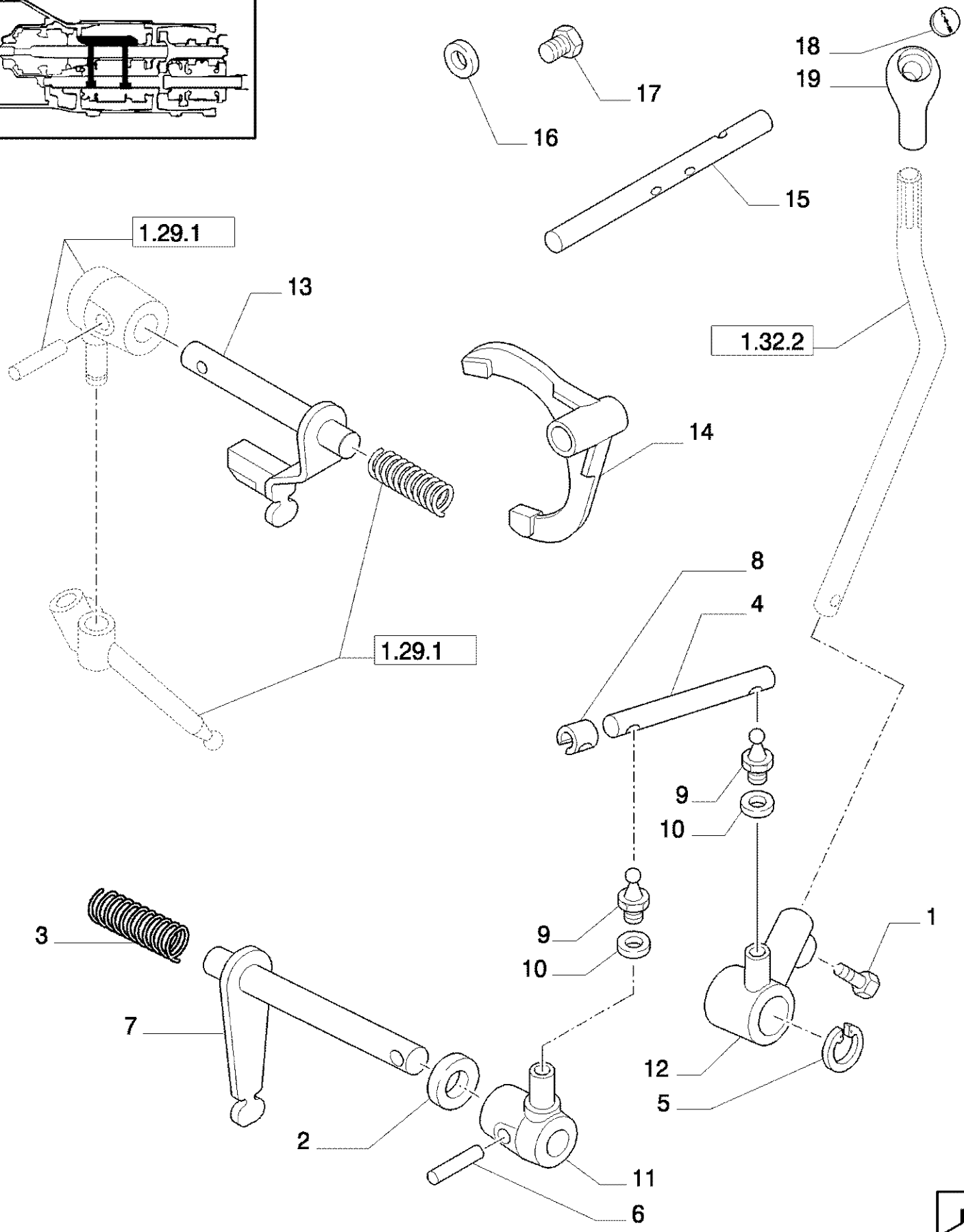
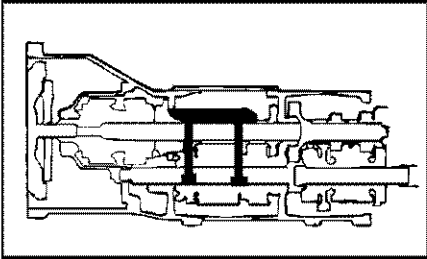
1.32.2(02) BESTURING CENTRALE REDUCTOR

Ref	Onderdeelnummer	Kwt	Beschrijving
1	44013453	1	SCHROEF, M12x1.25x28
2	13550704	2	SLUITRING, 16x30
3	5199978	1	HEFBOOM,
4	5177794	2	TREKSTANG, L=164
5	11068876	1	RING, SNAP, M40, Ext,
6	86977791	1	SLUITPEN, M8 x 45, Slotted,
7	5177793	1	TREKSTANG, L=117
8	10125574	6	KLEM,
9	5166895	6	PEN,
10	11193874	6	WASHER, SPRING, Belleville, M8.4, 8x16
11	11066476	2	RING, SNAP, M16, Ext, D=16
12	5199974	1	HEFBOOM,
13	5175147	1	NAAF,
14	5168293	1	NAAF,
15	5175144	1	STANG,
16	5157487	1	VEER,
17	80128359	1	O-RING, -016, 70 Duro, .614" ID x .070" Thk

1.32.2(03) BESTURING CENTRALE REDUCTOR



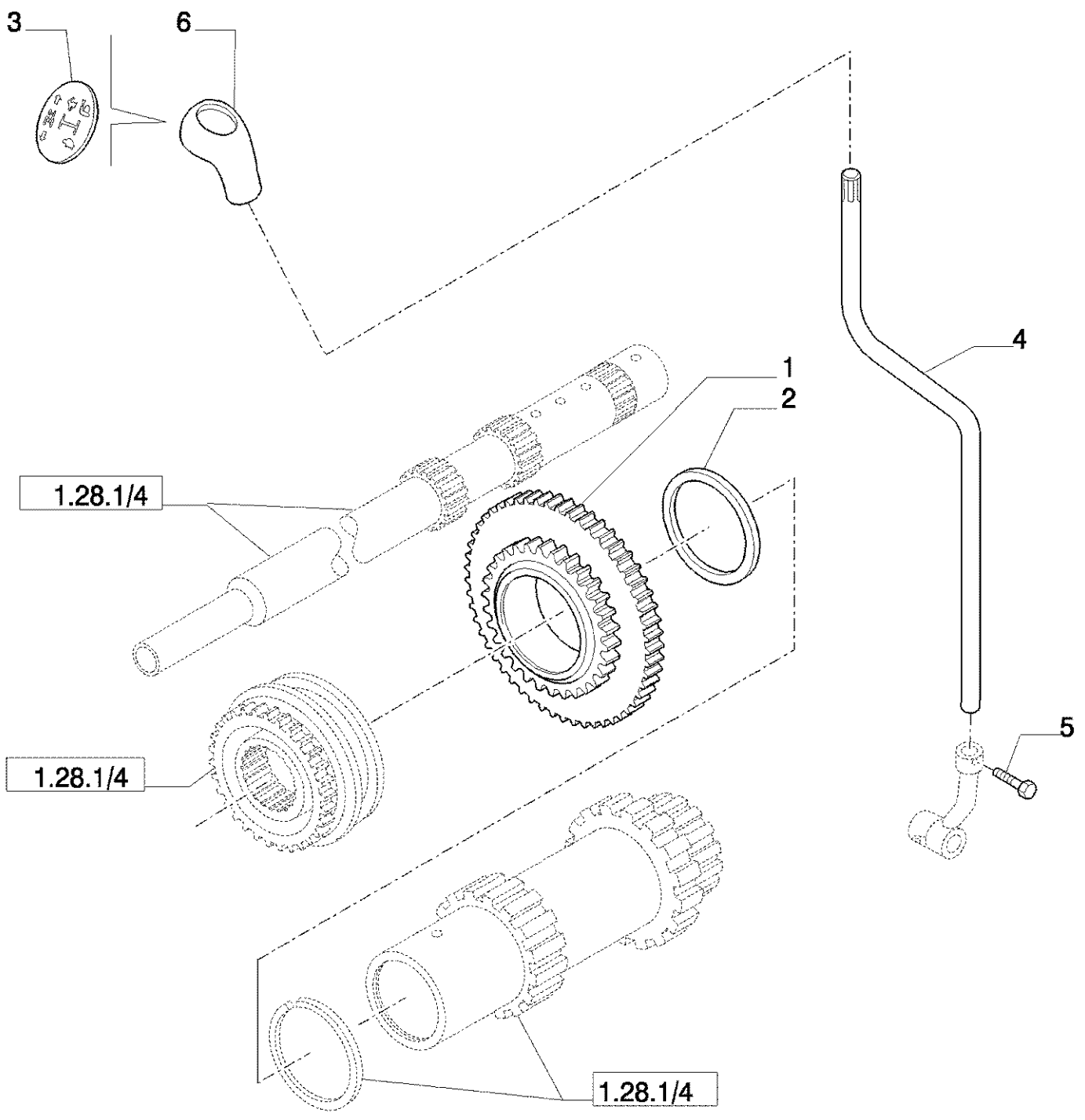
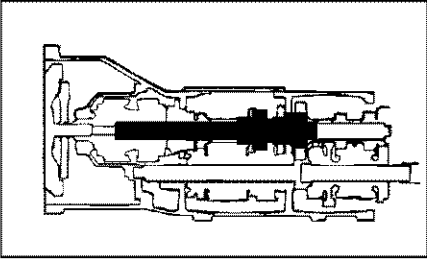
Ref	Onderdeelnummer	Kwt	Beschrijving
1	5168268	2	VEER,
2	20063390	2	KOGEL, D=11/32"
3	5149882	1	PAWL,
4	5178190	2	PLUG,
5	5171831	1	AS, , BSN HJH040190
5	5174726	1	STANG, , ASN HJH040191
6	13910370	2	SPANSTIFT, M6 x 30, Coiled,
7	5168281	1	VORK,
8	5171832	1	AS,
9	5168284	1	MEENEEMSTUK,
10	5168283	1	VORK,
11	10337110	2	STEL PEN, M6 x 45,



360 KOMPAKT TRACTOR (4/03-) - Transmissie

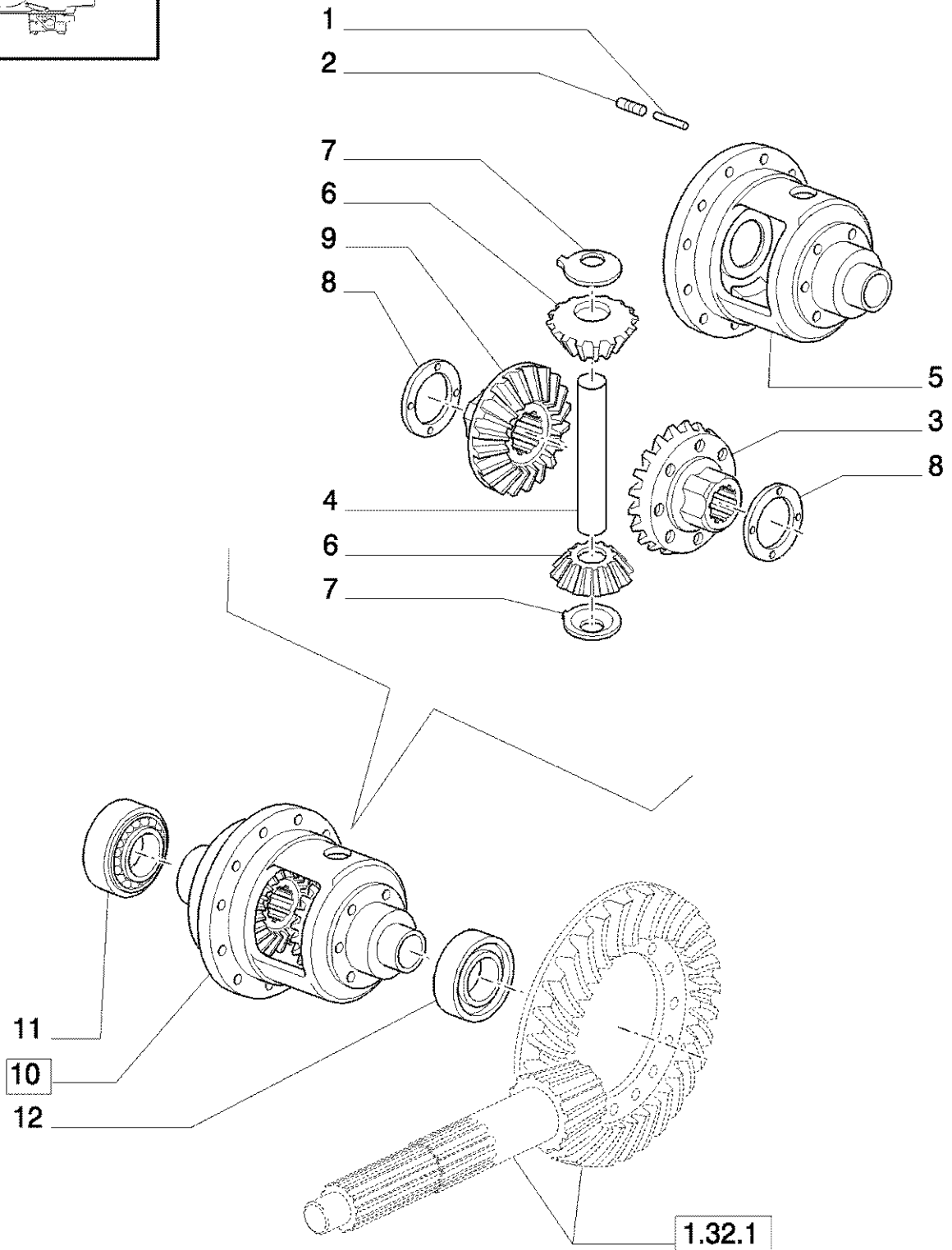
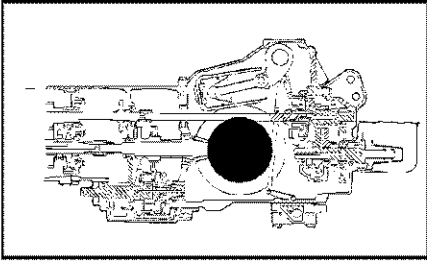
1.32.2/04(01) (VAR.139/1) NA - 8X8 (30 KM/H) GESYNCHR - STAAF EN GAFFEL

Ref	Onderdeelnummer	Kwt	Beschrijving
1	44013453	1	SCHROEF, Cap,HH,M12x1.25x28
2	5179999	1	AFSTANDSRING,
3	5157487	1	VEER,
4	5177794	1	TREKSTANG, L=164
5	11068876	1	RING, SNAP, M40, Ext,
6	86977791	1	SLUITPEN, M8 x 45, Slotted,
7	5175144	1	STANG,
8	10125574	2	KLEM,
9	5166895	4	PEN,
10	11193874	2	WASHER, SPRING, Belleville, M8.4, 8x16
11	5175200	1	NAAF,
12	5184053	1	NAAF,
13	5177800	1	STANG,
14	5174725	1	VORK, LOW
15	5174726	1	STANG, HIGH/LOW
16	10569374	1	VEERRING, M8
17	10300611	1	PLUG, M14 x 1.5 x 14, CI5.8,
18	5173921	1	KOMBEKLEDING,
19	5183532	1	KNOP,



Ref	Onderdeelnummer	Kwt	Beschrijving
1	5173923	1	TANDWIEL,
2	5168189	1	SLUITRING DRUKPLAAT,
3	47056484	1	EMBLEM,
4	5184495	1	HEFBOOM,
5	44013453	1	SCHROEF,
6	47056480	1	KNOP,

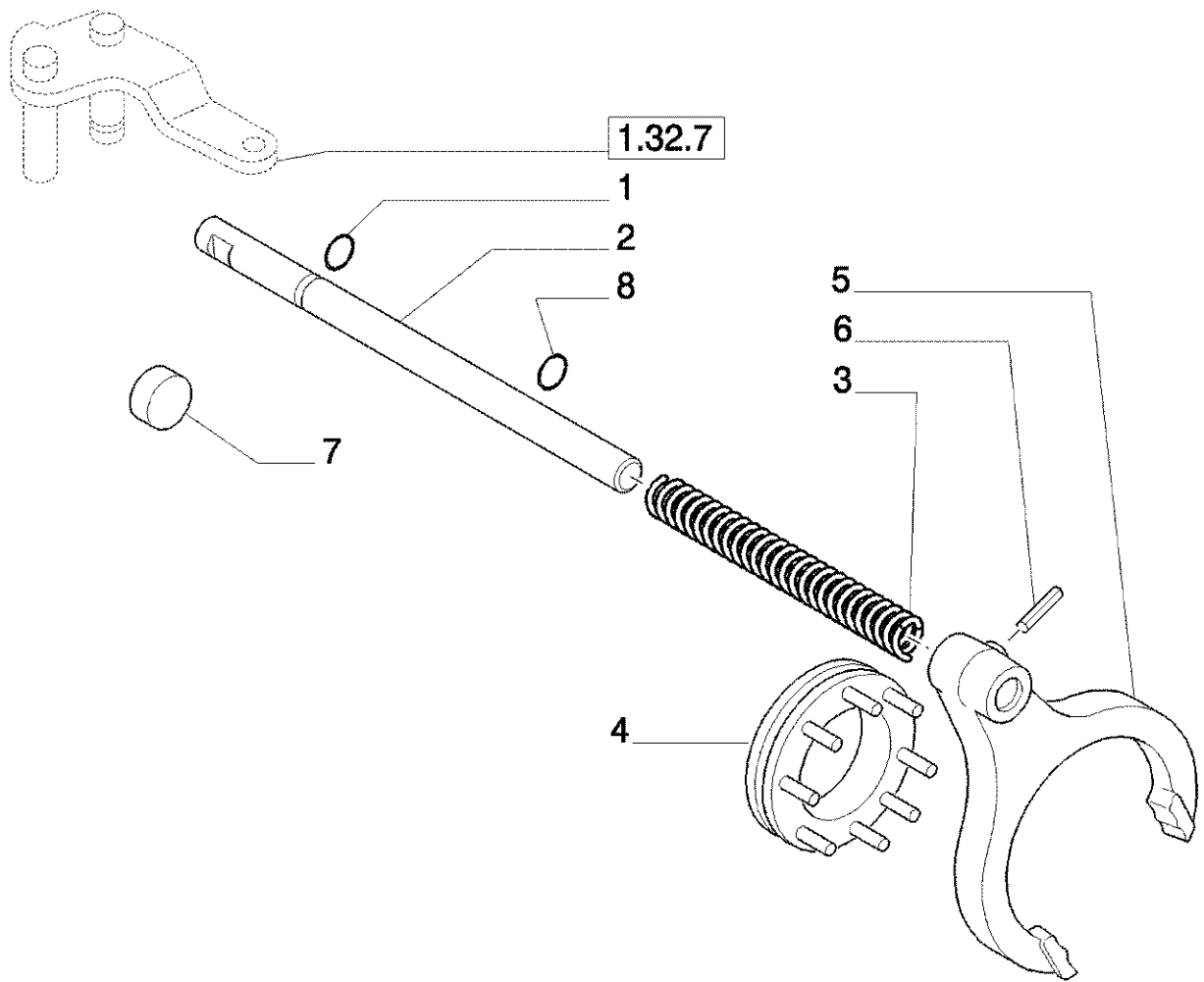
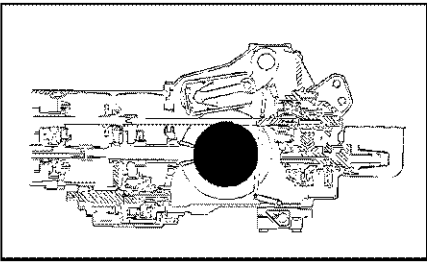
1.32.4 DIFFERENTIAALRADERWERKEN



1.32.4 DIFFERENTIAALRADERWERKEN

Ref	Onderdeelnummer	Kwt	Beschrijving
1	5173242	1	SPANSTIFT, 61.5x6.5
2	13807870	1	KRACHTBRON, Hex Soc, M8 x 14, Flat Pt,
3	5103869	1	PLANEETWIEL, RH
4	5148935	1	PEN,
5	5173490	1	HUIS,
6	5103870	2	PIGNON,
7	4987975	2	SLUITRING DRUKPLAAT,
8	5148936		AR DIKTEPLAAT, 1.6 mm
8	5148937		AR DIKTEPLAAT, 1.8 mm
8	5148938		AR DIKTEPLAAT, 1.7 mm
8	5148939		AR DIKTEPLAAT, 1.5 mm
8	5148940		AR DIKTEPLAAT, 1.4 mm
8	5167387		AR DIKTEPLAAT, MM.1.9
8	5167388		AR DIKTEPLAAT, MM.2.0
8	5181356		AR DIKTEPLAAT, MM.2.1
8	5181357		AR DIKTEPLAAT, MM.2.2
9	5103868	1	PIGNON, LH
10	5121652	1	KARTER EN TANDWIELEN, INCL.REF. 1 THROUGH 9
11	24903450	1	DRUKKNOP M SCHUIFROLLETJ, 60x95x23
12	26799980	1	DRUKKNOP M SCHUIFROLLETJ, 50x90

1.32.6 DIFFERENTIEELSLOT

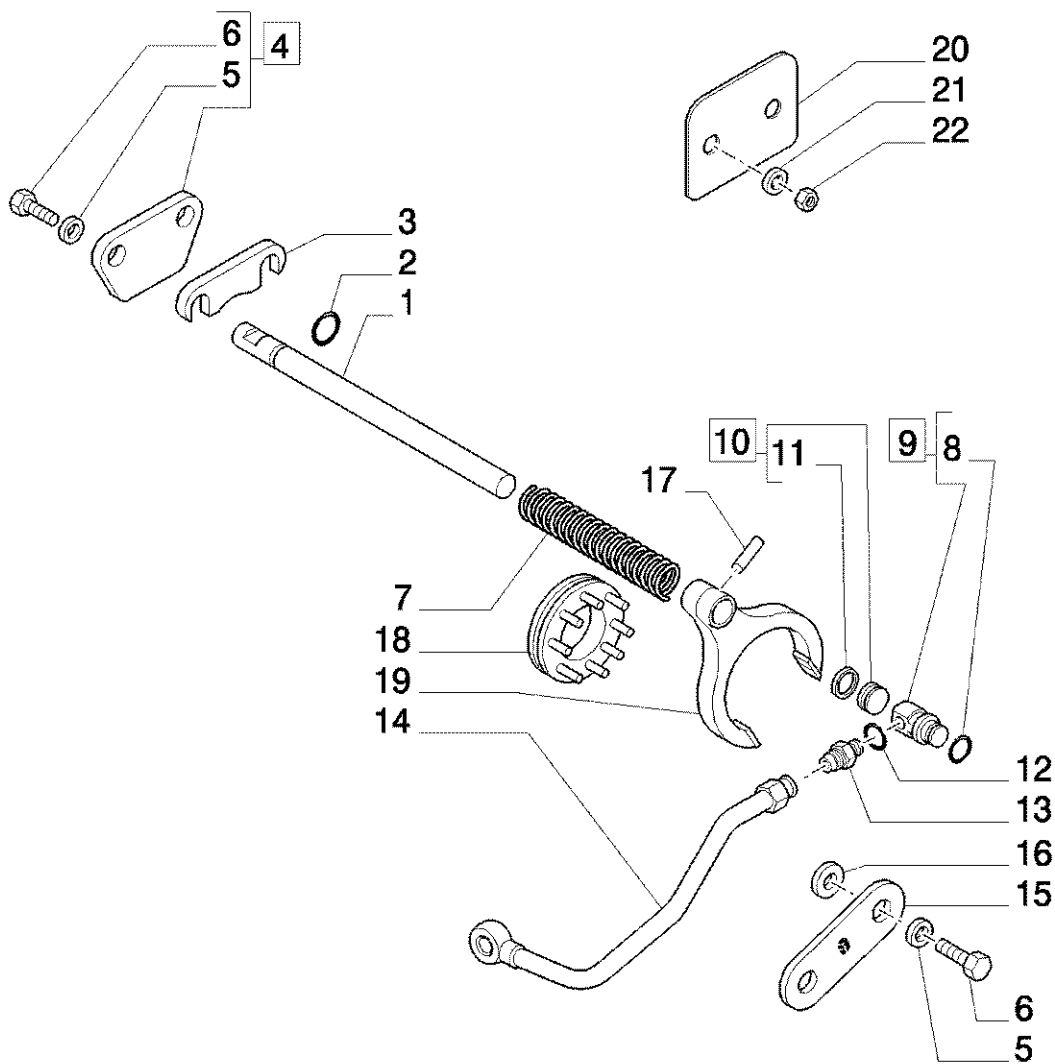
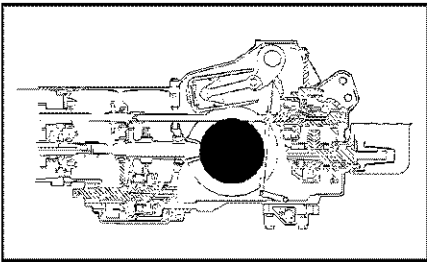


1.32.7

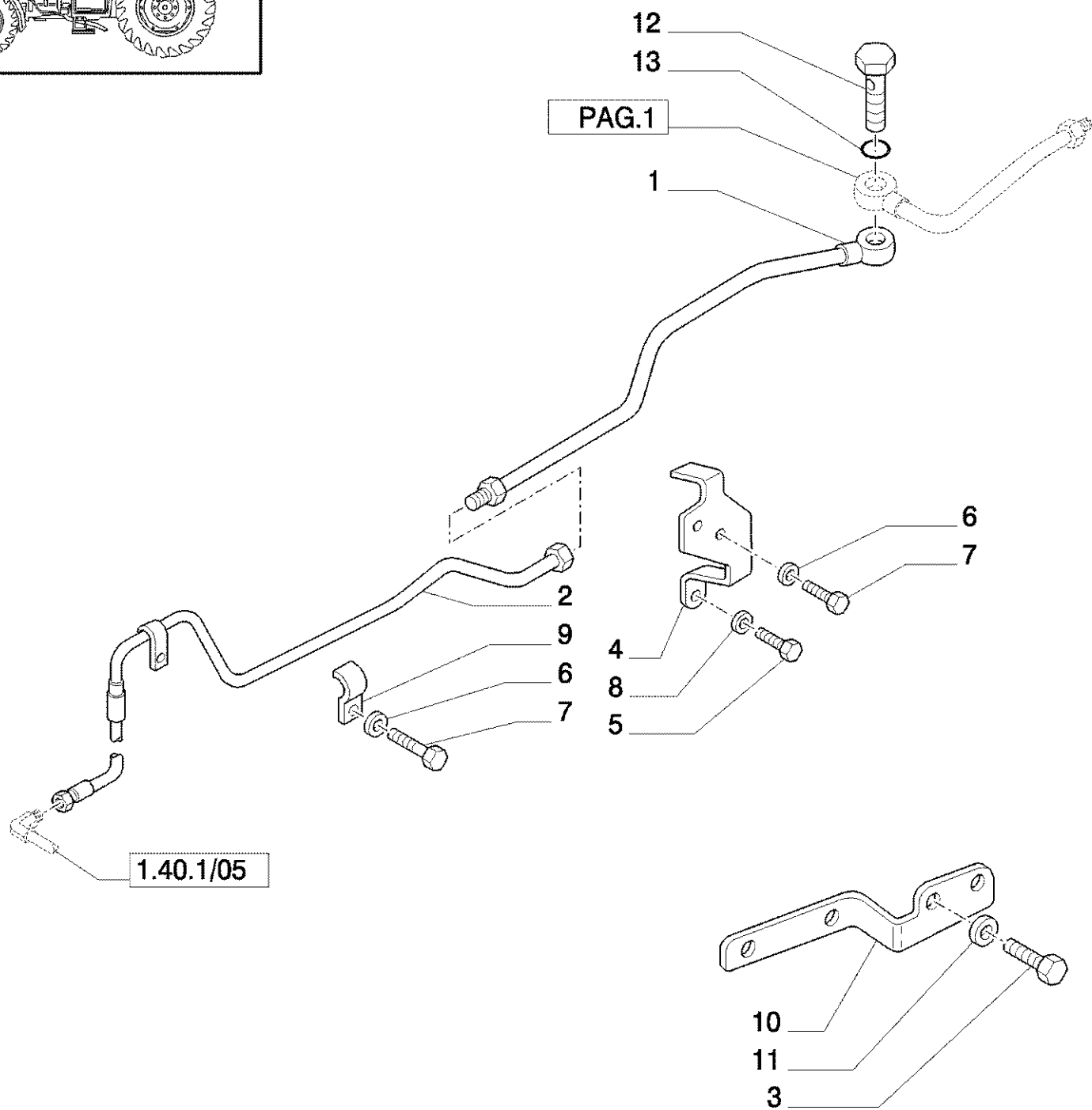
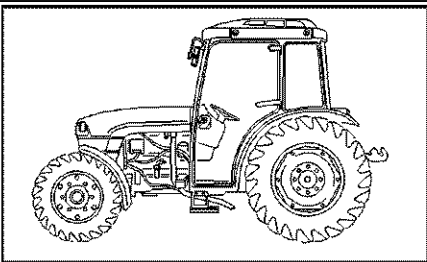


1.32.6 DIFFERENTIEELSLOT

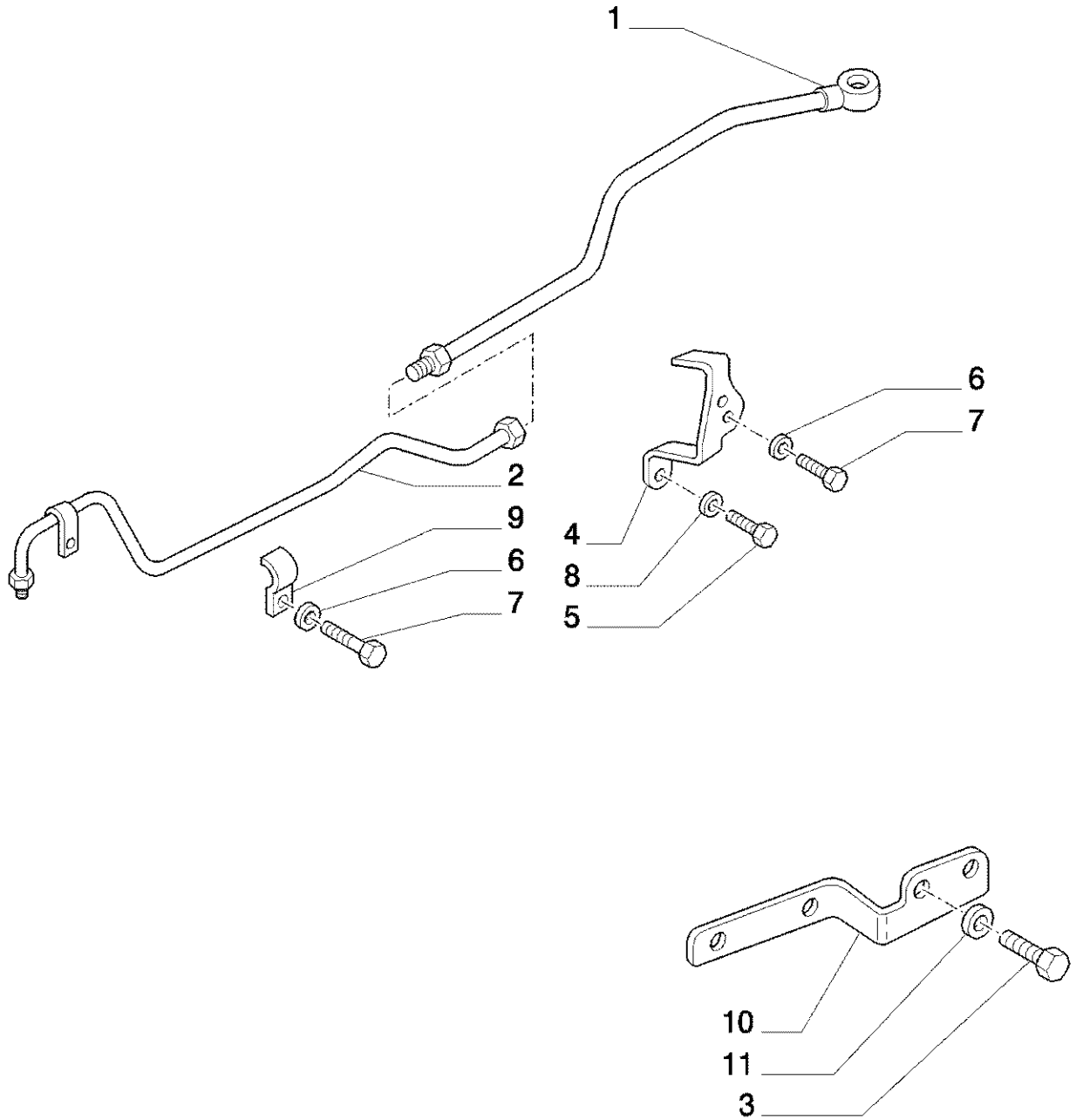
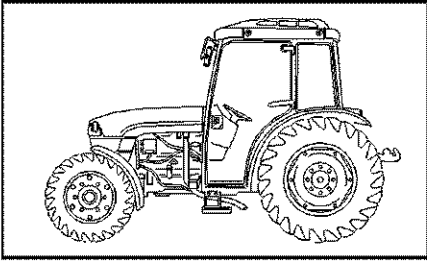
Ref	Onderdeelnummer	Kwt	Beschrijving
1	14457281	1	O-RING, -114, CI 7, .612" ID x .103" Thk, (M15.54 ID x 2.62 Thk)
2	5176034	1	STANG,
3	5094199	1	VEER,
4	5121654	1	SLEEVE,
5	5176032	1	VORK,
6	13910670	1	SPANSTIFT, M6 x 40, Coiled,
7	14282570	1	PLUG, M30, Tapered, Stainless,
8	5152322	1	RING, 3.5x20x28



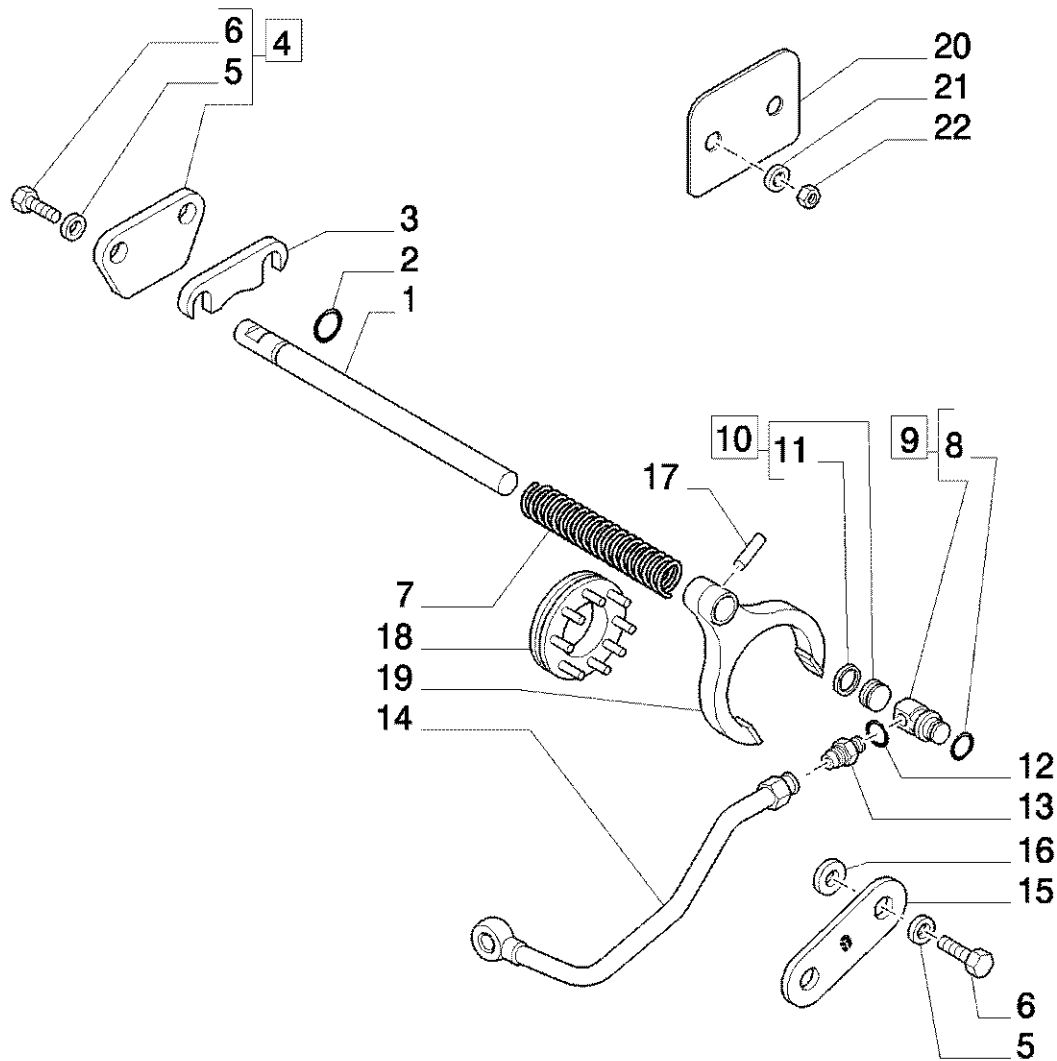
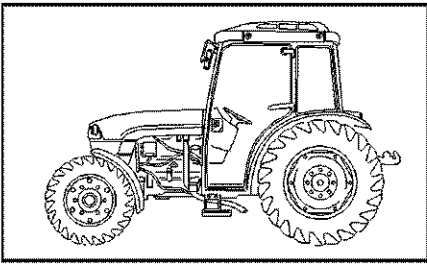
Ref	Onderdeelnummer	Kwt	Beschrijving
1	5176036	1	STANG,
2	14457281	1	O-RING, -114, CI 7, .612" ID x .103" Thk, (M15.54 ID x 2.62 Thk)
3	5114582	AR	AFSTANDSRING,
4	5156350	1	PLAAT,
5	11190574	4	WASHER, SPRING, Belleville, M10.5,
6	15970724	4	BOUT, Hex, M10 x 1.25 x 25, 8.8, Full Thd,
7	5162818	1	VEER,
8	14457880	1	O-RING, -120, 70 Duro, .987" ID x .103" Thk, 2.62x2
9	5162820	1	ELLEBOOG,
10	5162819	1	ZUIGER,
11	5160827	1	DICHTINGSRING,
13	5158800	1	VERBINDING,
14	5182495	1	VASTE BUIS,
15	5168206	1	PLAAT,
16	5168435	2	AFSTANDSRING,
17	13910670	1	SPANSTIFT, M6 x 40, Coiled,
18	5121654	1	SLEEVE,
19	5176032	1	VORK,
20	5175672	1	PLUG,
21	11193874	2	WASHER, SPRING, Belleville, M8.4, 8x16
22	16100811	2	MOER, M8, CI 8,
12	14437985	1	O-RING, 15.3MM ID x 2.4 Thk,



Ref	Onderdeelnummer	Kwt	Beschrijving
1	5176162	1	VASTE BUIS,
2	47130378	1	VASTE BUIS,
3	16043224	1	BOUT, Hex, M8 x 16, 8.8, Full Thd,
4	47134203	1	STEUNBEUGEL,
5	15980324	1	SCHROEF, Hex, M16 x 1.5 x 25, 8.8, Full Thd,
7	10902024	1	BOUT, Hex, M6 x 12, 8.8, Full Thd,
7	14305124	1	SCHROEF, Hex Soc Hd, M6 x 12, 8.8,
8	10517274	1	VEERRING, D=16
9	44903268	1	STOPBEUGEL,
10	5180410	1	STEUNBEUGEL,
11	10516674	1	VEERRING, D=8
12	5173680	1	VERBINDINGSBOUT,
13	10259960	1	DICHTRING, M18.3 x 24 x 1.5,
6	86517328	2	VEERRING, M6, D=6

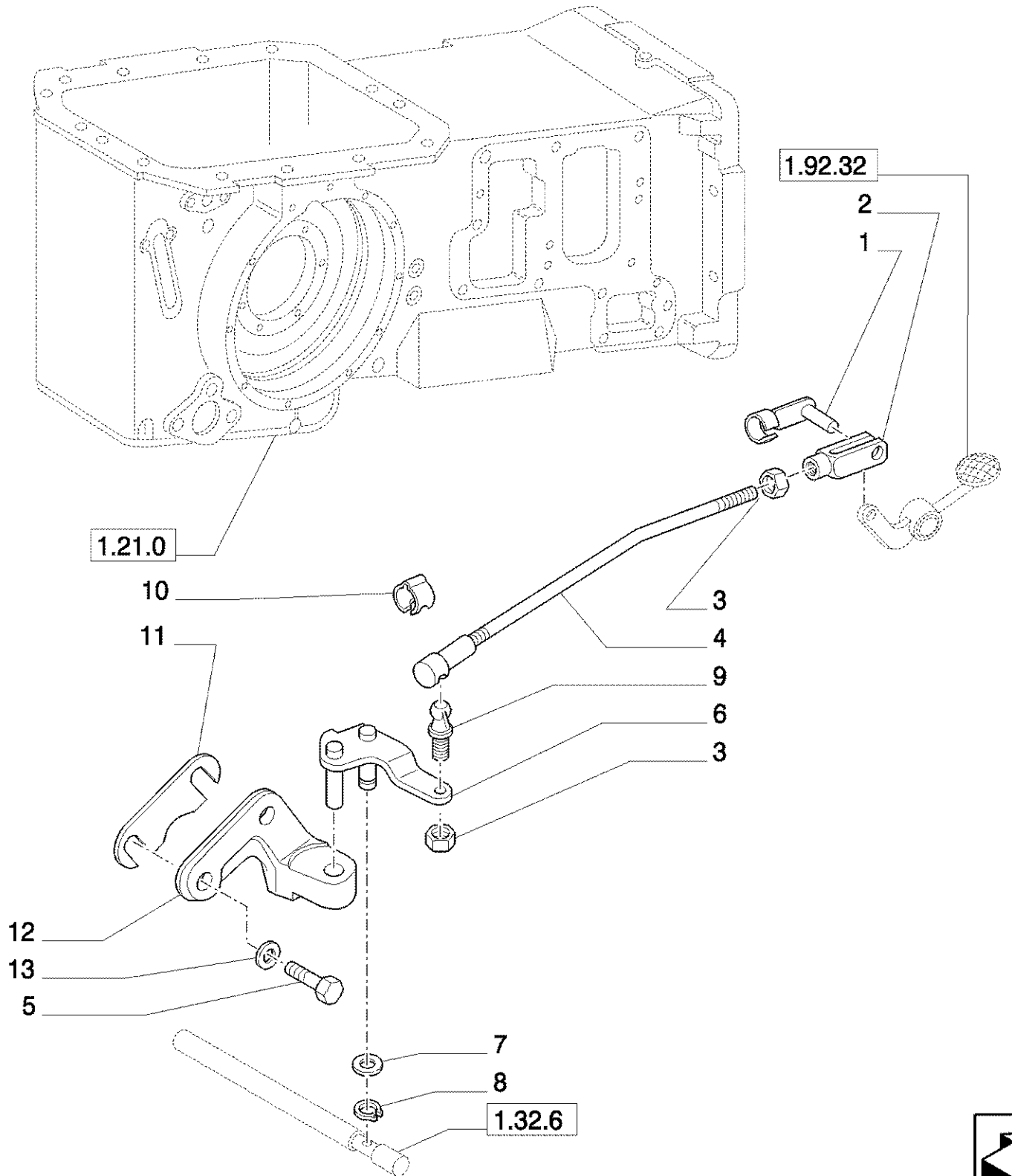
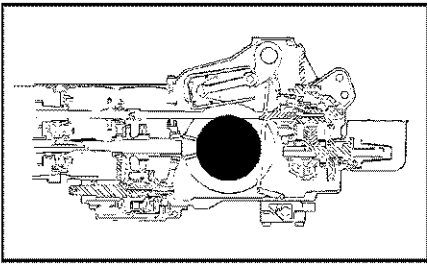


Ref	Onderdeelnummer	Kwt	Beschrijving
1	5176162	1	VASTE BUIS, 15.54x2.62
2	5182983	1	VASTE BUIS,
3	16043224	1	BOUT, Hex, M8 x 16, 8.8, Full Thd,
4	47134203	1	STEUNBEUGEL,
5	15980324	1	SCHROEF, Hex, M16 x 1.5 x 25, 8.8, Full Thd,
7	14305124	1	SCHROEF, Hex Soc Hd, M6 x 12, 8.8, D=30
8	10517274	1	VEERRING, 3.5x20x28
9	44903268	1	STOPBEUGEL,
10	5180410	1	STEUNBEUGEL,
11	10516674	1	VEERRING,
6	86517328	2	VEERRING, M6, D=6x40



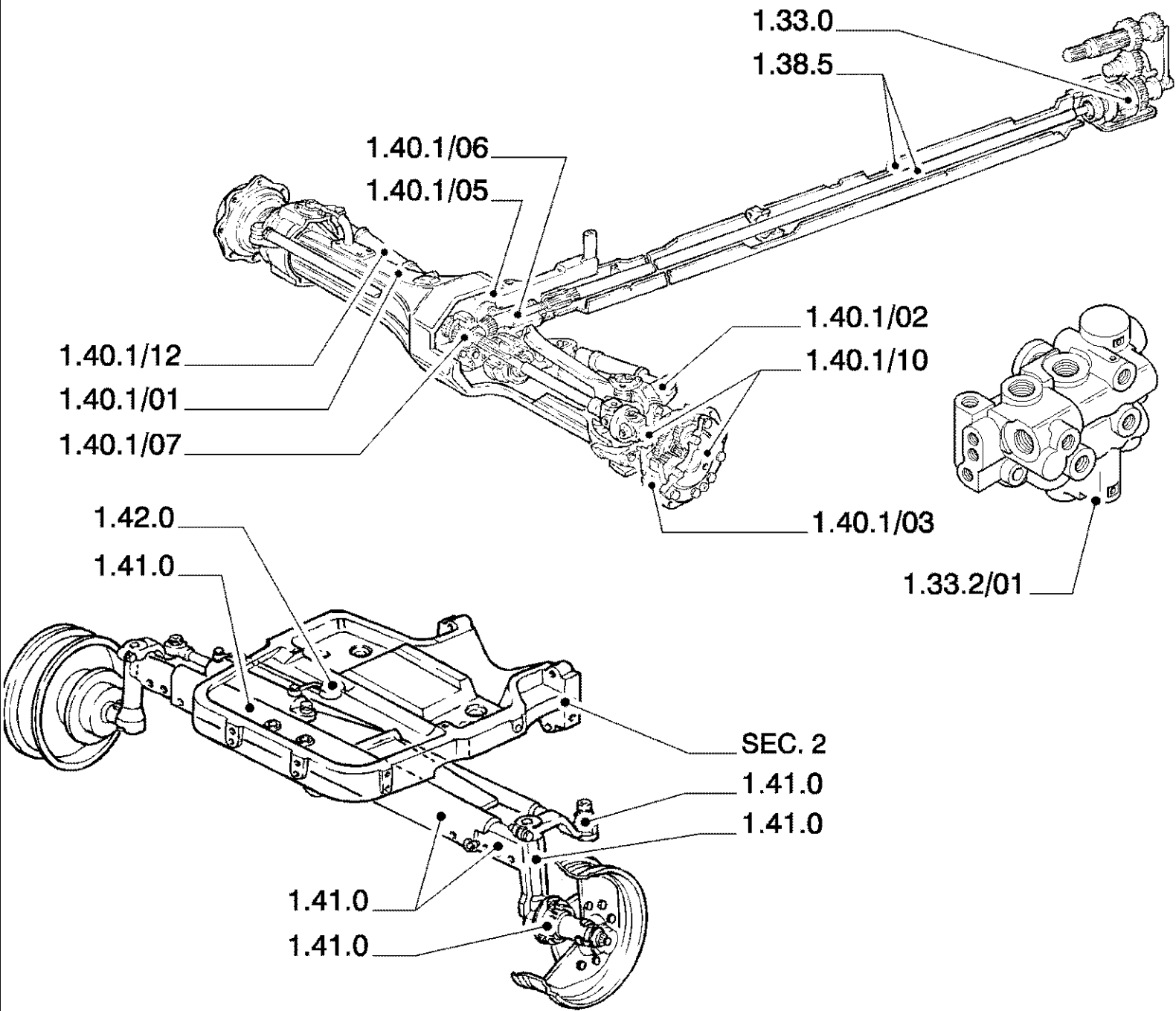
Ref	Onderdeelnummer	Kwt	Beschrijving
1	5176036	1	STANG,
2	14457281	1	O-RING, -114, CI 7, .612" ID x .103" Thk, (M15.54 ID x 2.62 Thk)
3	5114582	AR	AFSTANDSRING,
4	5156350	1	PLAAT,
5	11190574	4	WASHER, SPRING, Belleville, M10.5,
6	15970724	4	BOUT, Hex, M10 x 1.25 x 25, 8.8, Full Thd,
7	5162818	1	VEER,
8	14457880	1	O-RING, -120, 70 Duro, .987" ID x .103" Thk, 2.62x2
9	5162820	1	ELLEBOOG,
10	5162819	1	ZUIGER,
11	5160827	1	DICHTINGSRING,
13	5158800	1	VERBINDING,
14	5182495	1	VASTE BUIS,
15	5168206	1	PLAAT,
16	5168435	2	AFSTANDSRING,
17	13910670	1	SPANSTIFT, M6 x 40, Coiled,
18	5121654	1	SLEEVE,
19	5176032	1	VORK,
20	5175672	1	PLUG,
21	11193874	2	WASHER, SPRING, Belleville, M8.4, 8x16
22	16100811	2	MOER, M8, CI 8,
12	14437985	1	O-RING, 15.3MM ID x 2.4 Thk,

1.32.7 COMMANDO BLOKKERING DIFFERENTIAAL



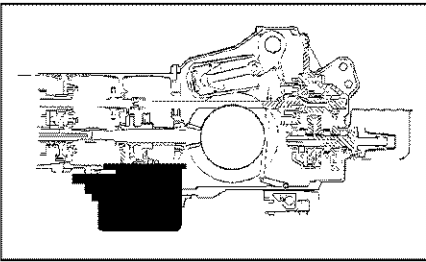
1.32.7 COMMANDO BLOKKERING DIFFERENTIAAL

Ref	Onderdeelnummer	Kwt	Beschrijving
1	5111594	1	PEN,
2	5148659	1	GAFFEL, 10x40
3	10791011	2	MOER, Thin, M10 x 1.25, CI 04,
4	5178198	1	TREKSTANG,
5	15970724	2	BOUT, Hex, M10 x 1.25 x 25, 8.8, Full Thd,
6	5178263	1	HEFBOOM,
7	5128296	1	STEUN,
8	11190574	2	WASHER, SPRING, Belleville, M10.5,
9	15152211	1	KOGELGEWRIGHT,
10	10125674	1	KLEM,
11	5114582	AR	AFSTANDSRING, MM.0.5

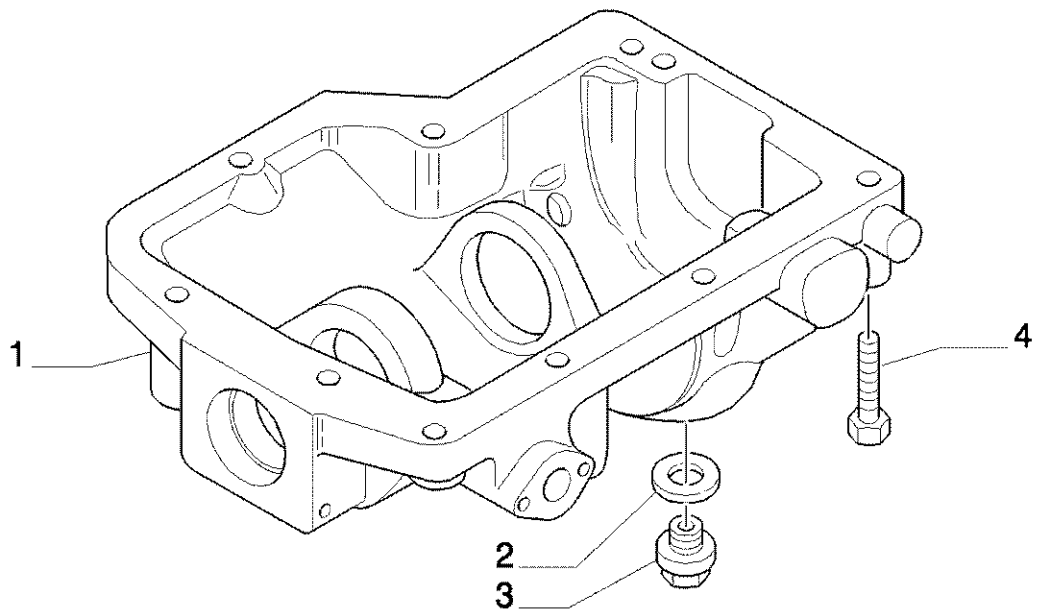
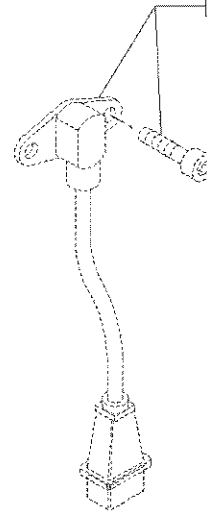


Ref	Onderdeelnummer	Kwt	Beschrijving

1.33.0 KASTEN EN DEKSELS TERUGKEER - 4WD

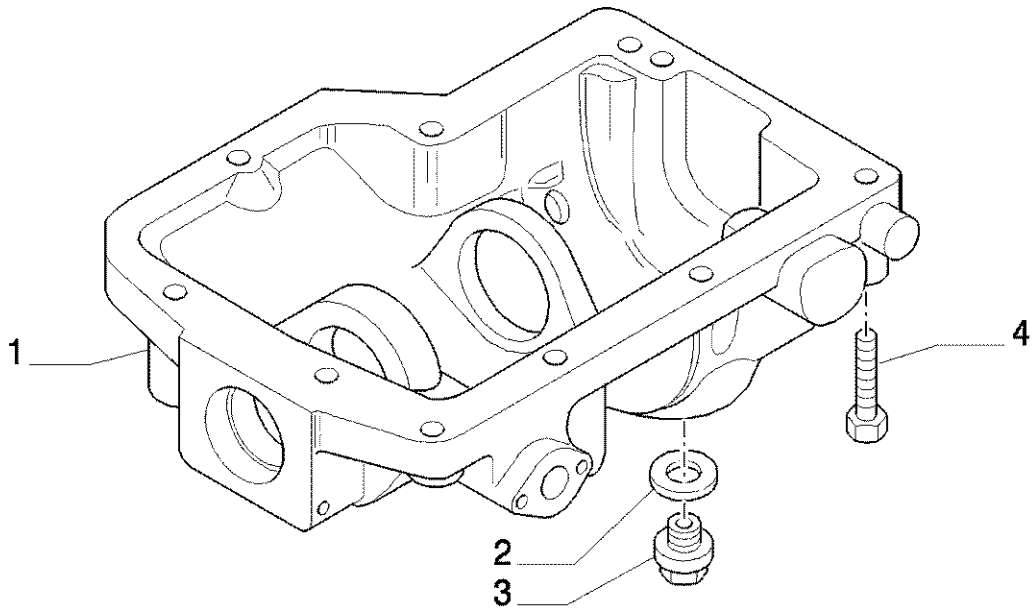
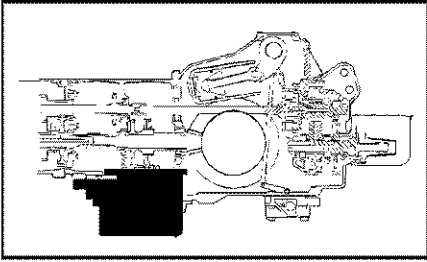


1.75.0



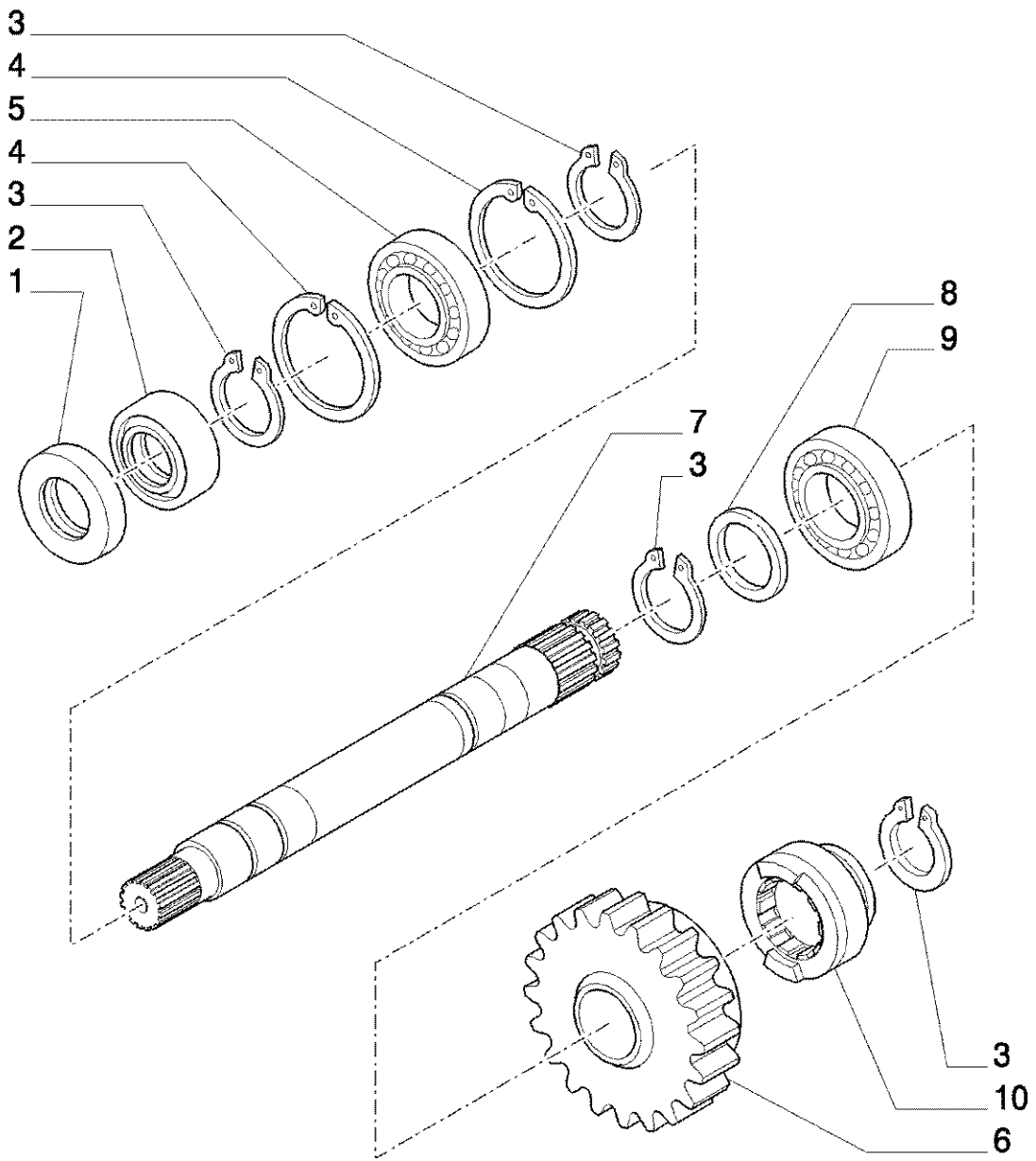
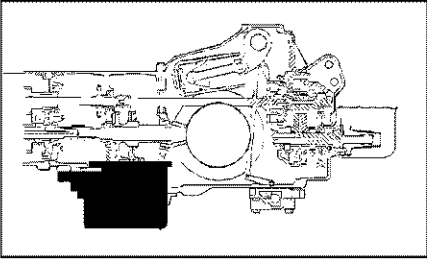
1.33.0 KASTEN EN DEKSELS TERUGKEER - 4WD

Ref	Onderdeelnummer	Kwt	Beschrijving
1	5177761	1	KAST,
2	10265160	1	WASHER, COPPER, M35.4 x 41 x 1.5, Copper,
3	5151213	1	PLUG, M35
4	11288024	3	BOUT, Hex, M10 x 1.25 x 60, 8.8,
4	16204524	5	BOUT, Hex, M10 x 35,



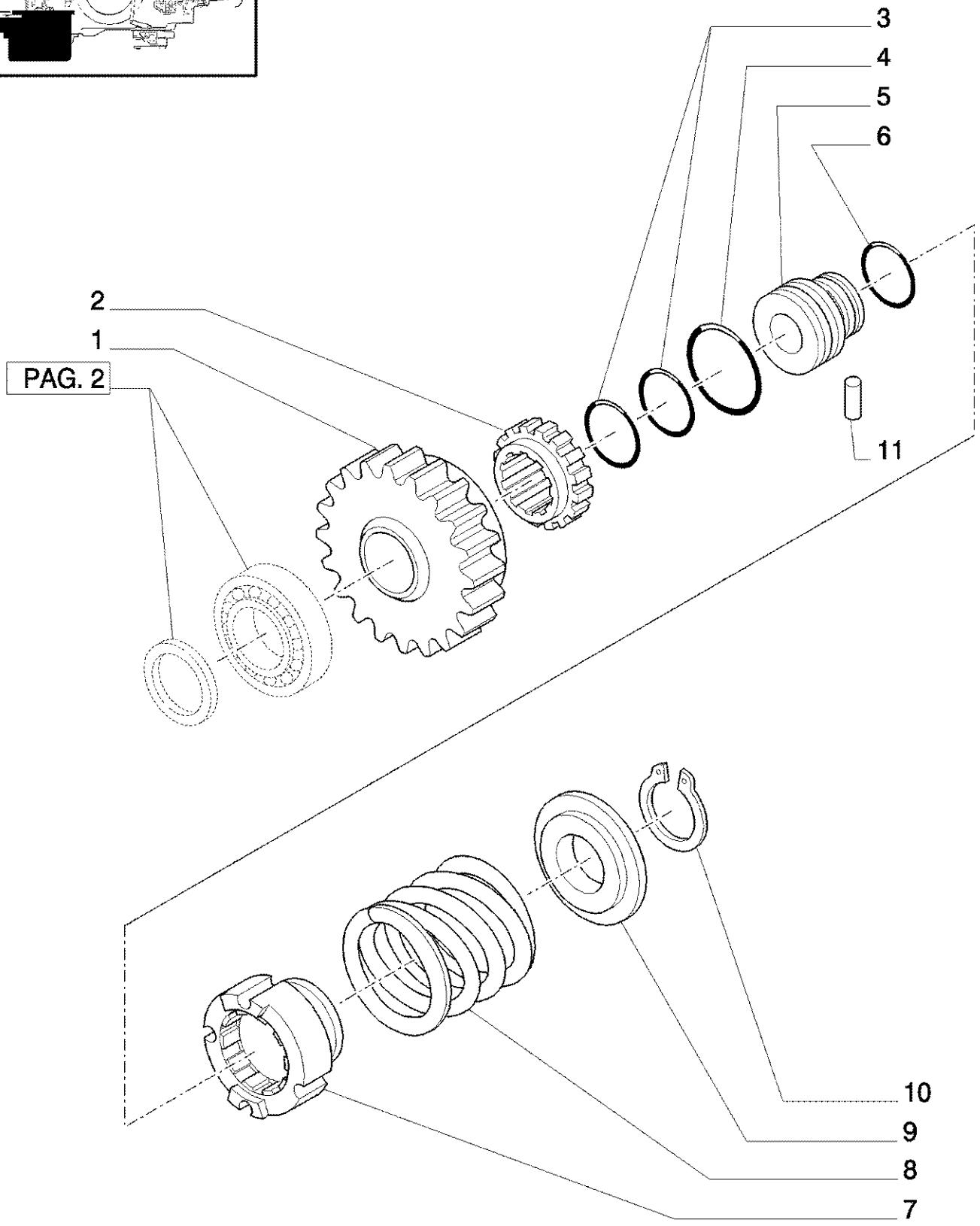
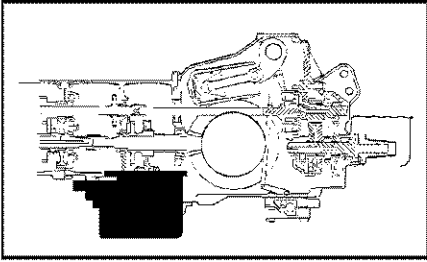
Ref	Onderdeelnummer	Kwt	Beschrijving
1	5192684	1	KAST,
2	10265160	1	WASHER, COPPER, M35.4 x 41 x 1.5, Copper,
3	5151213	1	PLUG, M35
4	11288024	3	BOUT, Hex, M10 x 1.25 x 60, 8.8,
4	16204524	5	BOUT, Hex, M10 x 35,

1.33.1 DRIJWERKEN OVERBRENGING - 4WD

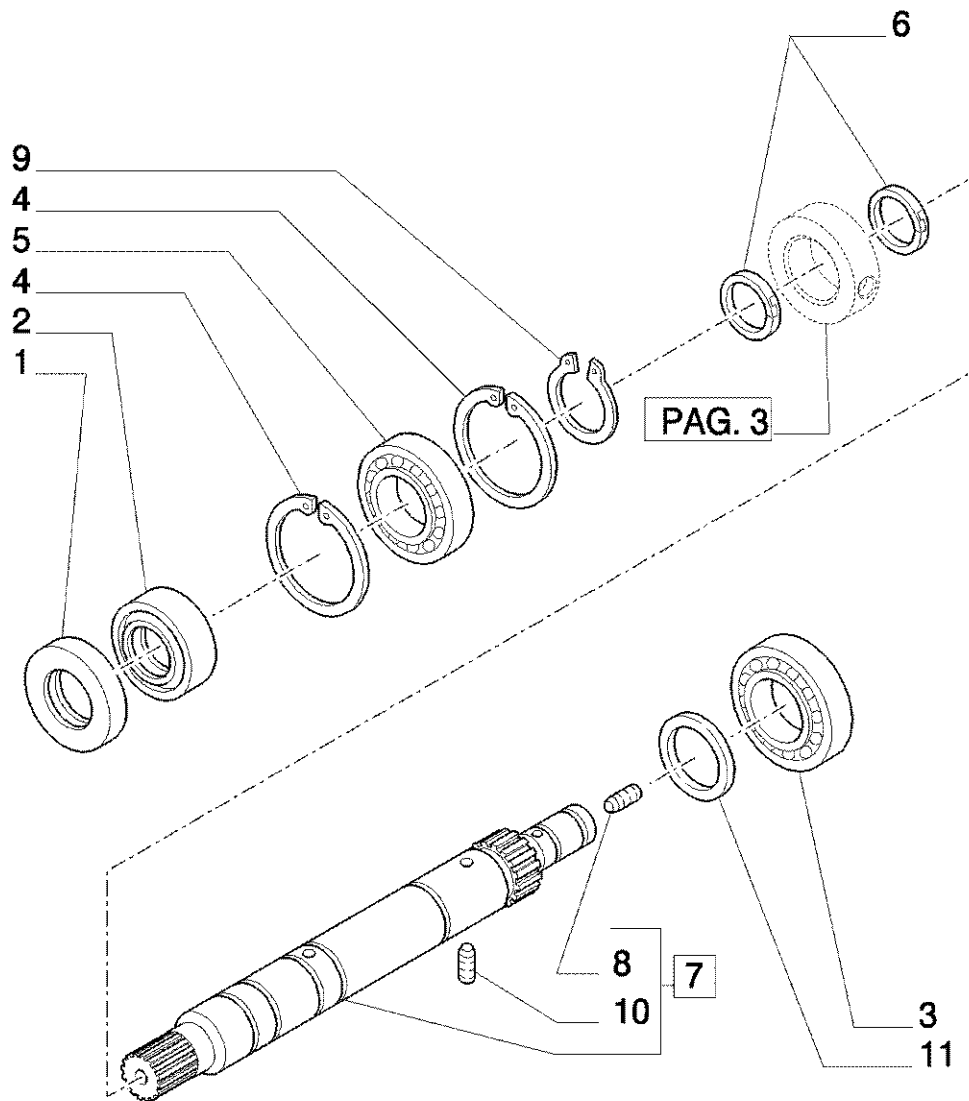
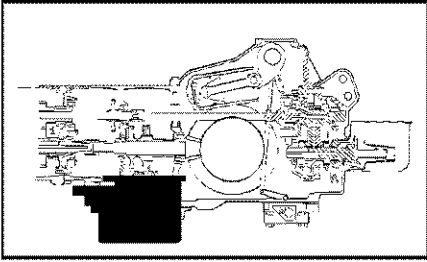


1.33.1 DRIJFWERKEN OVERBRENGING - 4WD

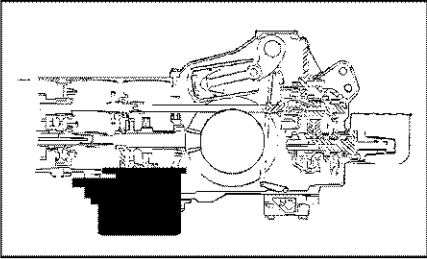
Ref	Onderdeelnummer	Kwt	Beschrijving
1	5168315	1	SCHIJF,
2	5168314	1	DICHTINGSSTUK,
3	11068376	4	RING, SNAP, M35, Ext,
4	80370012	2	RING, SNAP, M62
5	28042470	1	LAGER, KOGEL, 35x62x14
6	5183155	1	TANDWIEL,
7	5172517	1	AS,
8	5177817	2	SLUITRING DRUKPLAAT,
9	20705250	1	LAGER, KOGEL, 35x72x17
10	5177729	1	AANDRIJFLAGERBUS,



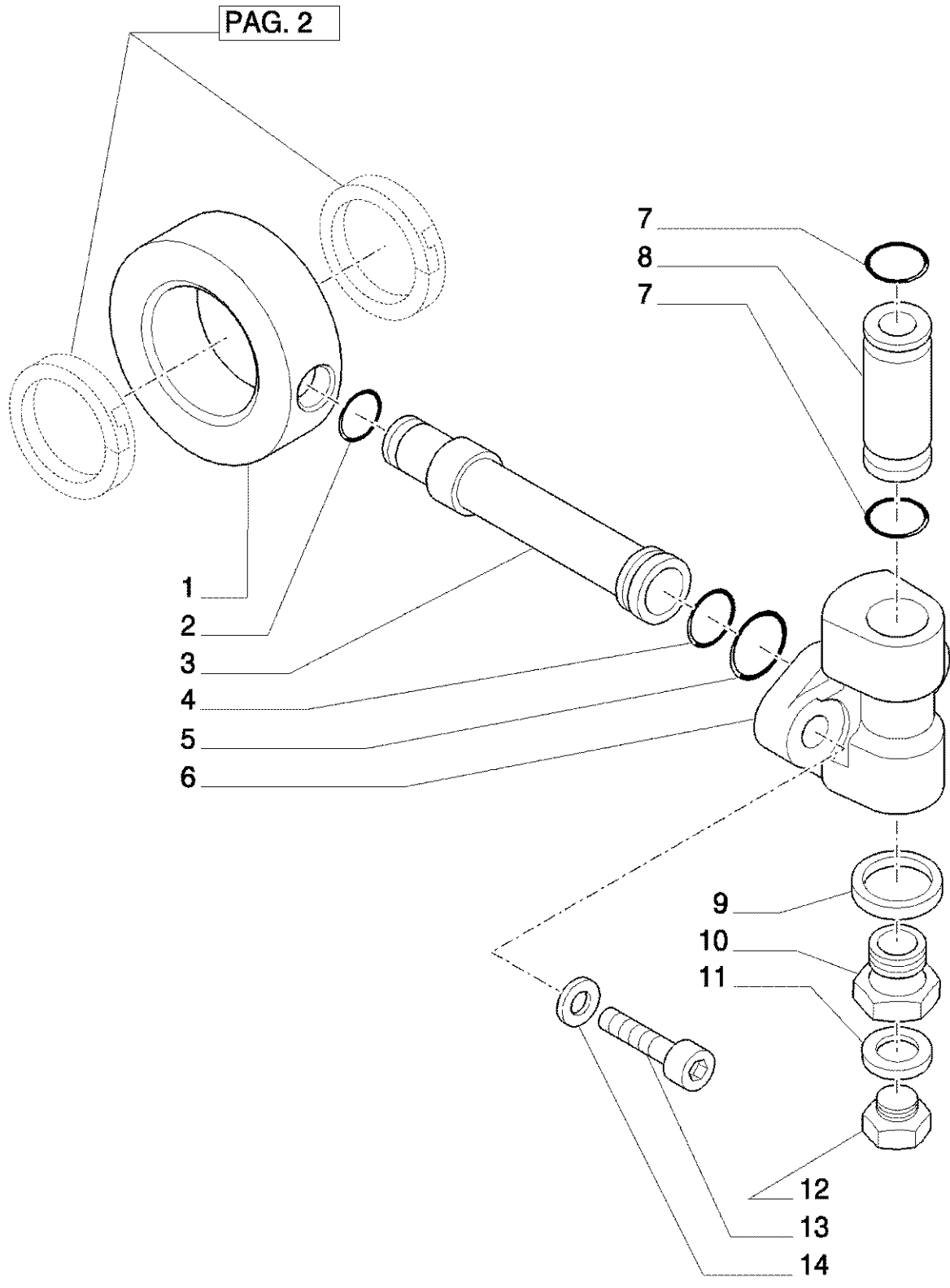
Ref	Onderdeelnummer	Kwt	Beschrijving
1	5183155	1	TANDWIEL,
2	5168320	1	SLEEVE,
3	5135735	2	O-RING, -017, CI 9, .676" ID x .070" Thk, 1.78x17.17
4	5152665	1	DICHTINGSRING, 52x3.2
5	5183013	1	SLEEVE,
6	5160580	1	DICHTINGSRING, D=35
7	5182436	1	SLEEVE,
8	5175670	1	VEER,
9	5183068	1	SCHIJF,
10	5109282	1	RING, SNAP, D=35
11	13940770	1	SPANSTIFT, 5x36



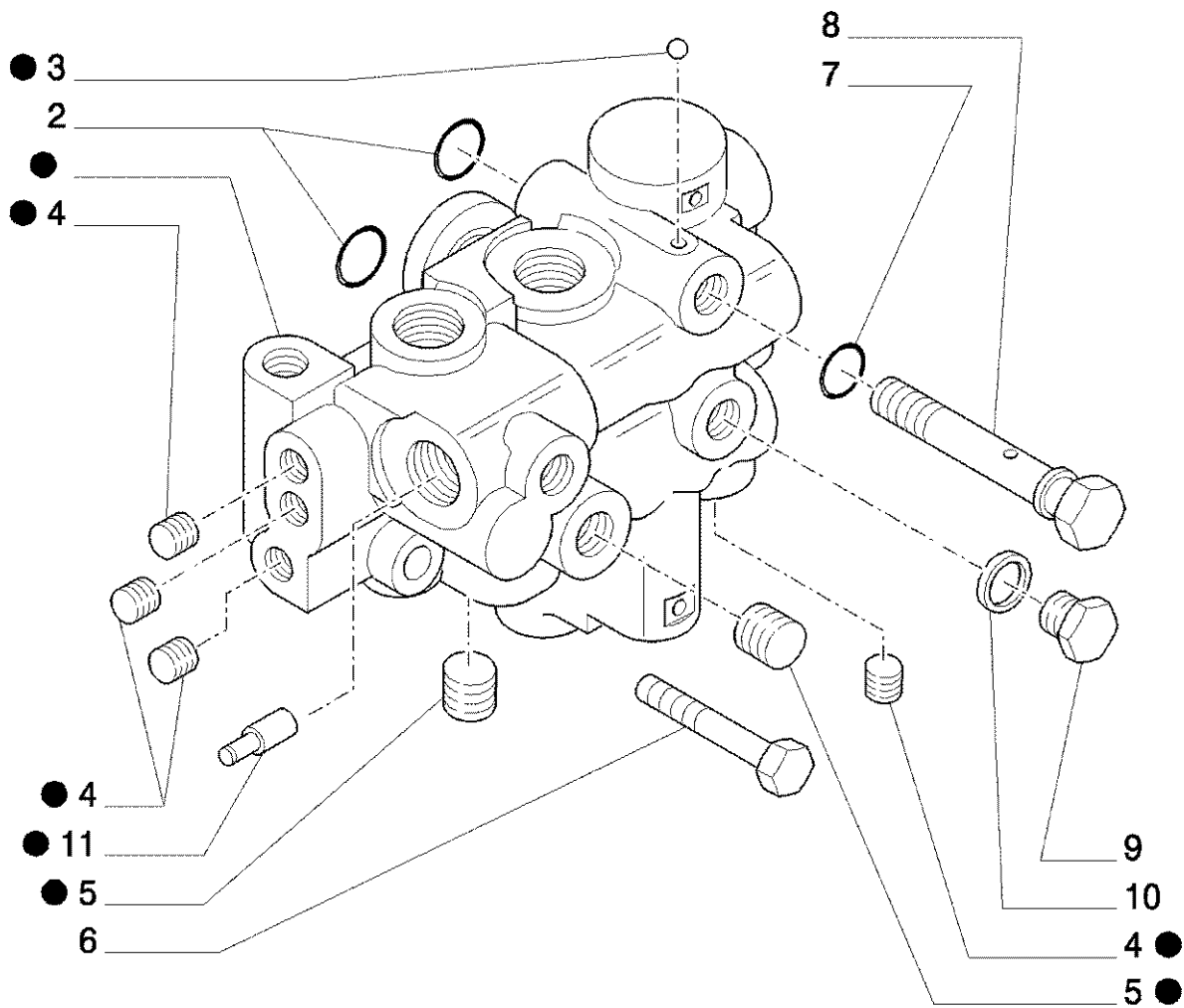
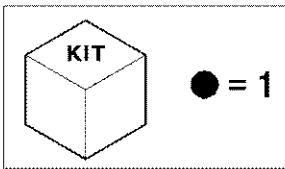
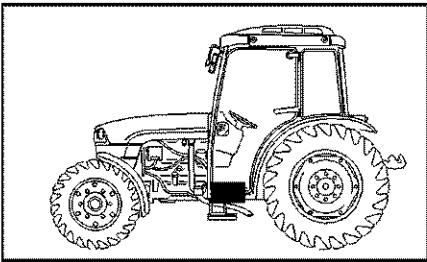
Ref	Onderdeelnummer	Kwt	Beschrijving
1	5168315	1	SCHIJF,
2	5168314	1	DICHTINGSSTUK,
3	20705250	1	LAGER, KOGEL, 35x72x17
4	80370012	2	RING, SNAP, Int, M62
5	28042470	1	LAGER, KOGEL, 35x62x14
6	5195944	2	SLUITRING,
7	5190880	1	AANDRIJFAS,
8	13789720	1	KRACHTBRON, Hex Soc, M8 x 12, Flat Pt,
9	5109282	1	RING, SNAP, D=35
10	5190881	1	SCHROEF,
11	5177817	1	SLUITRING DRUKPLAAT,



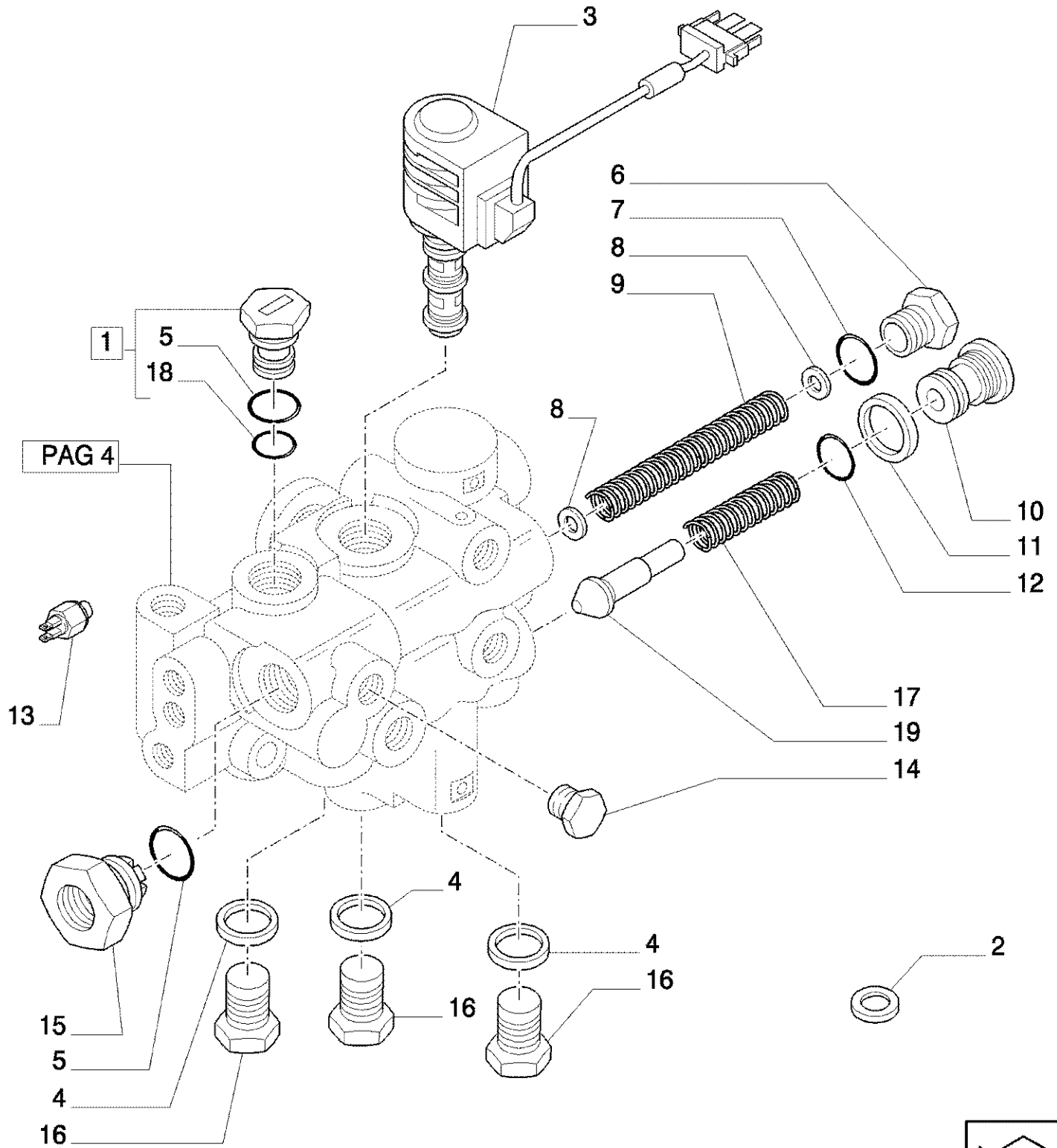
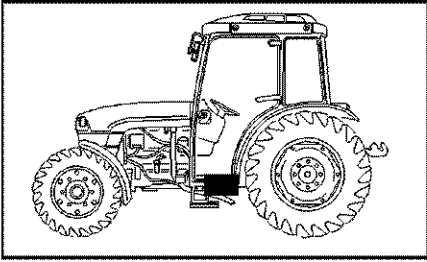
PAG. 2



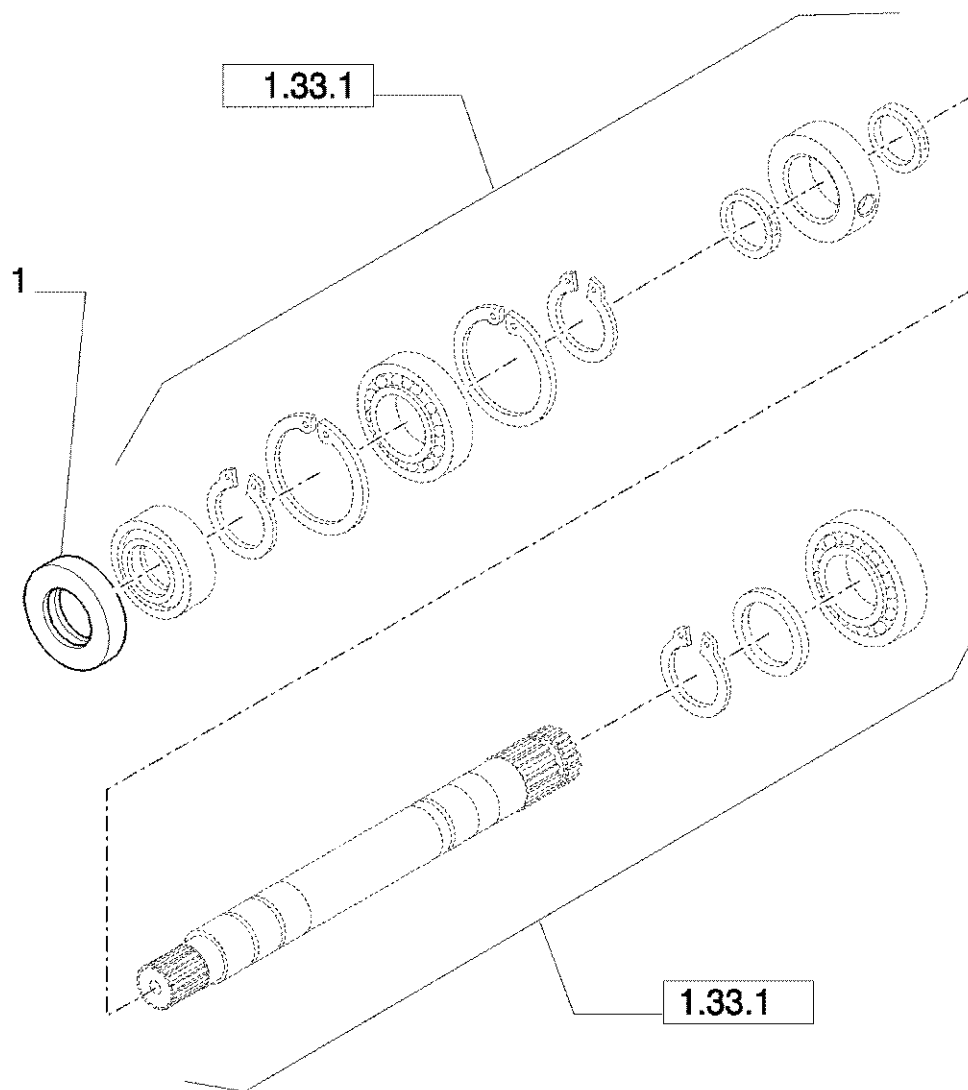
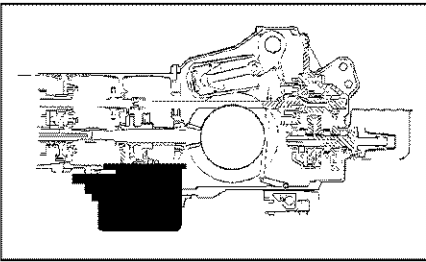
Ref	Onderdeelnummer	Kwt	Beschrijving
1	5197418	1	MANIFOLD,
3	5172910	1	VASTE BUIS,
4	86625099	1	O-RING, -018, CI 7, .739" ID x .070" Thk,
5	5135735	1	O-RING, -017, CI 9, .676" ID x .070" Thk, 1.78x17.17
6	5176116	1	VERBINDING,
7	14456981	2	O-RING, -111, CI 7, .424" ID x .103" Thk,
8	5173278	1	PAWL,
9	4858608	1	DICHTINGSRING, 14x20
10	5178010	1	PLUG,
11	10284460	1	WASHER, COPPER, M10.2 x 16 x 1.5, Copper,
12	11903011	1	PLUG, M10 x 1 x 11, CI5.8,
13	14305424	2	SCHROEF, Hex Soc Hd, M6 x 25, 8.8,
14	10569279	2	SLUITRING, D=6
2	14453081	1	O-RING, -013, CI 7, .426" ID x .070" Thk, (M10.82 ID x 1.78 Thk)



Ref	Onderdeelnummer	Kwt	Beschrijving
1	5177211	1	STEUN, ASSY, BSN HJE016863
1	47137763	1	KLEP, HYDRAULISCH, ASSY, ASN HJE016864
2	14456981	2	O-RING, -111, CI 7, .424" ID x .103" Thk,
3	20419150	1	KOGEL, 1/8"
4	14326004	4	PLUG, M10 x 1.25
5	10269550	2	PLUG, D=14, BSN HJE016863
5	10269504	2	PLUG, D=14, ASN HJE016864
6	11288024	2	BOUT, Hex, M10 x 1.25 x 60, 8.8,
7	14452981	1	O-RING, -012, CI 7, .364" ID x .070" Thk,
8	5176224	1	SCHROEF,
9	11903011	1	PLUG, M10 x 1 x 11, CI5.8,
10	10260960	1	WASHER, COPPER, M10.2 x 14 x 1.5, Copper,
11	47137762	1	ZUIGER, , ASN HJE016864

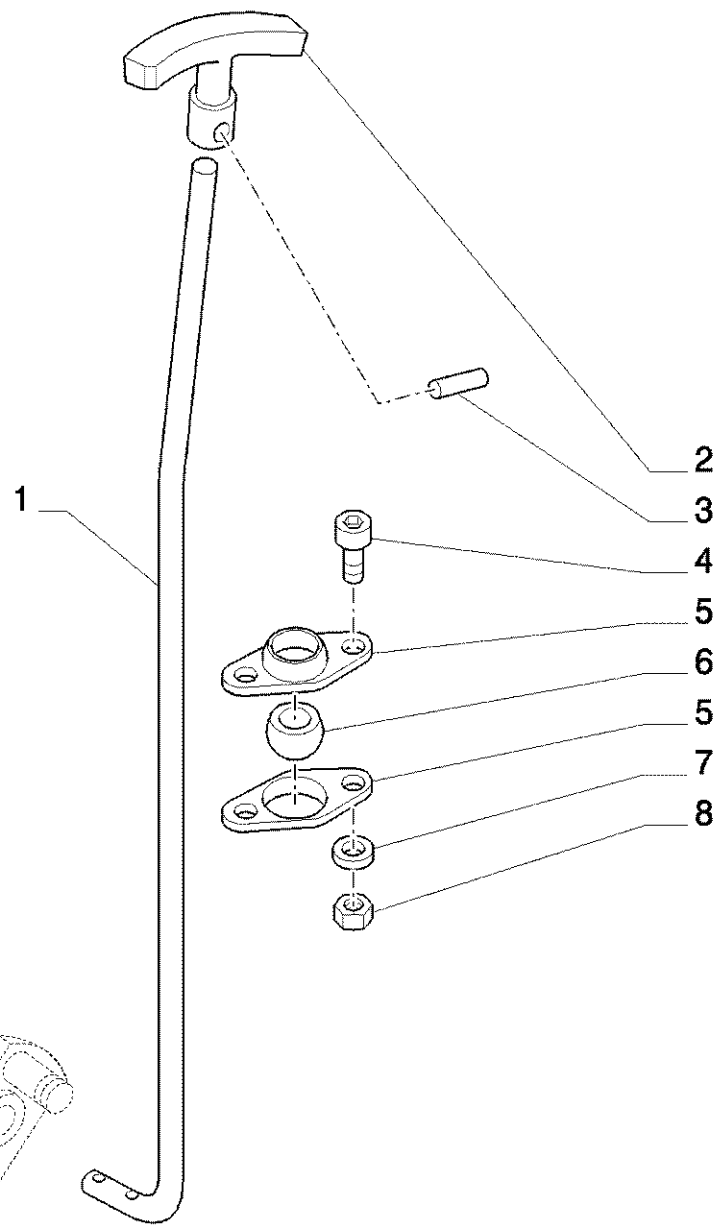
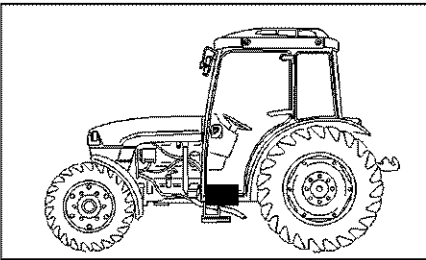


Ref	Onderdeelnummer	Kwt	Beschrijving
1	5154967	1	PLUG,
2	5135740	1	O-RING, -119, CI 9, .924" ID x .103" Thk,
2	13550724	2	VEERRING, D=5
3	5192014	1	ELEKTROKLEP,
4	10259960	3	DICHTRING, M18.3 x 24 x 1.5,
6	5176204	1	PLUG,
8	4858607	2	WASHER, COPPER,
9	5157119	1	VEER,
10	5168332	1	PLUG,
11	98429280	1	DICHTINGSSTUK,
12	5135740	1	O-RING, -119, CI 9, .924" ID x .103" Thk,
13	87395493	1	DRUKSCHAKELAAR, Oil Pressure, Hydr. DT, Indicates oil missing in DT control pipe
14	10300511	1	PLUG, M12 x 1.25 x 12, CI5.8,
15	5173444	1	VERBINDING,
16	10300811	3	PLUG, M18 x 1.5 x 14, CI5.8,
17	5114402	1	VEER, 11x1.4x35.5
18	89827059	1	O-RING, 1.78x14
19	5176227	1	DRUKSTANG,
5	14438085	3	O-RING, 19.3MM ID x 2.4 Thk,
7	14437985	1	O-RING, 15.3MM ID x 2.4 Thk,

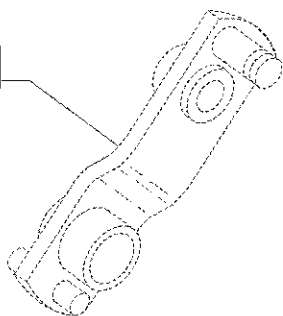


Ref	Onderdeelnummer	Kwt	Beschrijving
1	5180916	1	DICHTINGSSTUK, 35x52x7

1.33.2(01) BESTURING TERUGKEER - 4WD



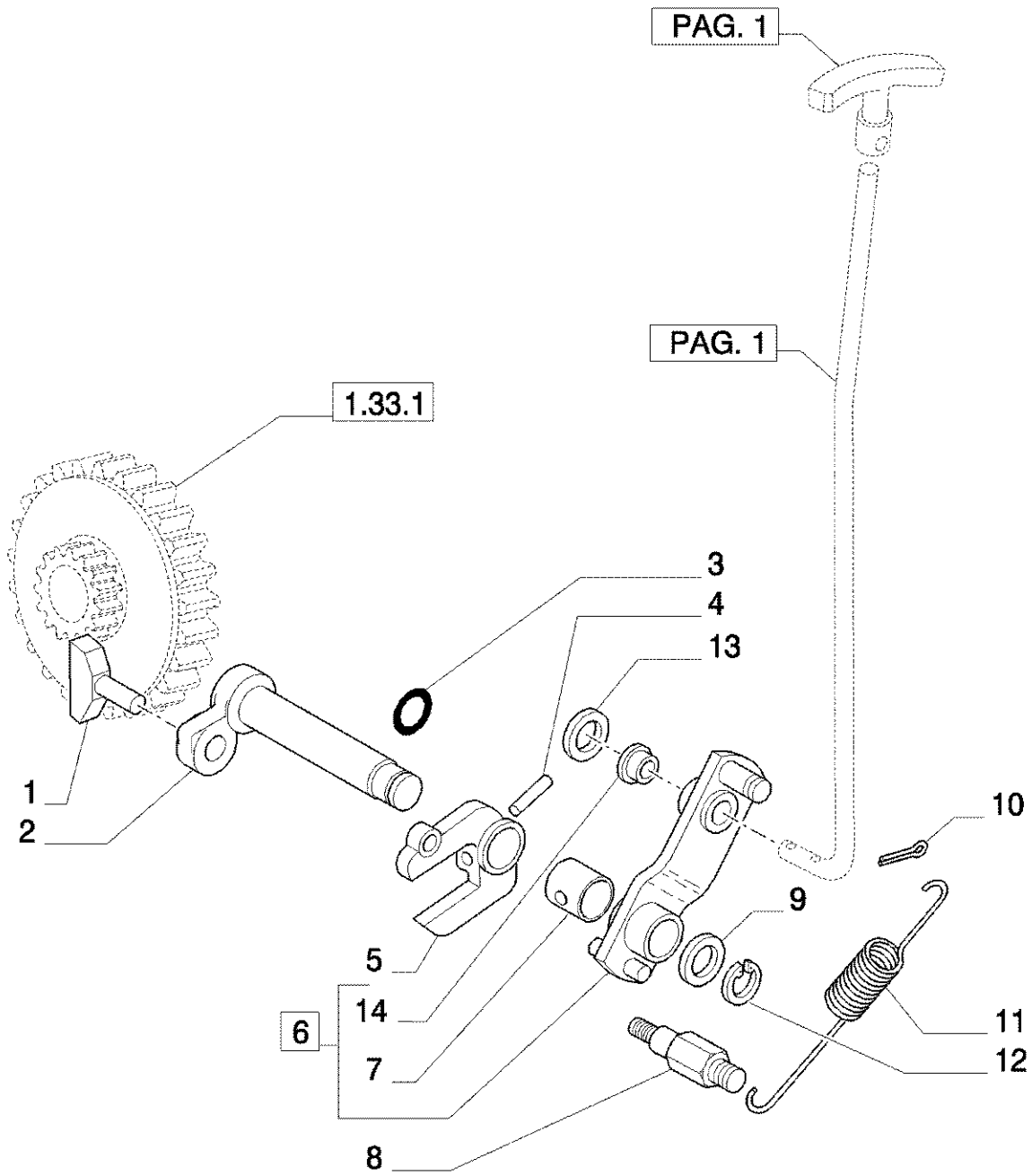
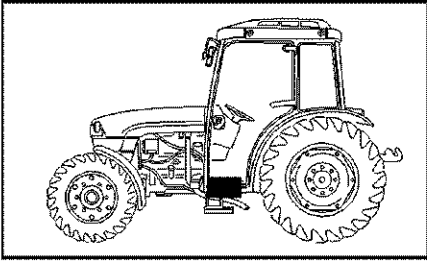
PAG.2



1.33.2(01) BESTURING TERUGKEER - 4WD

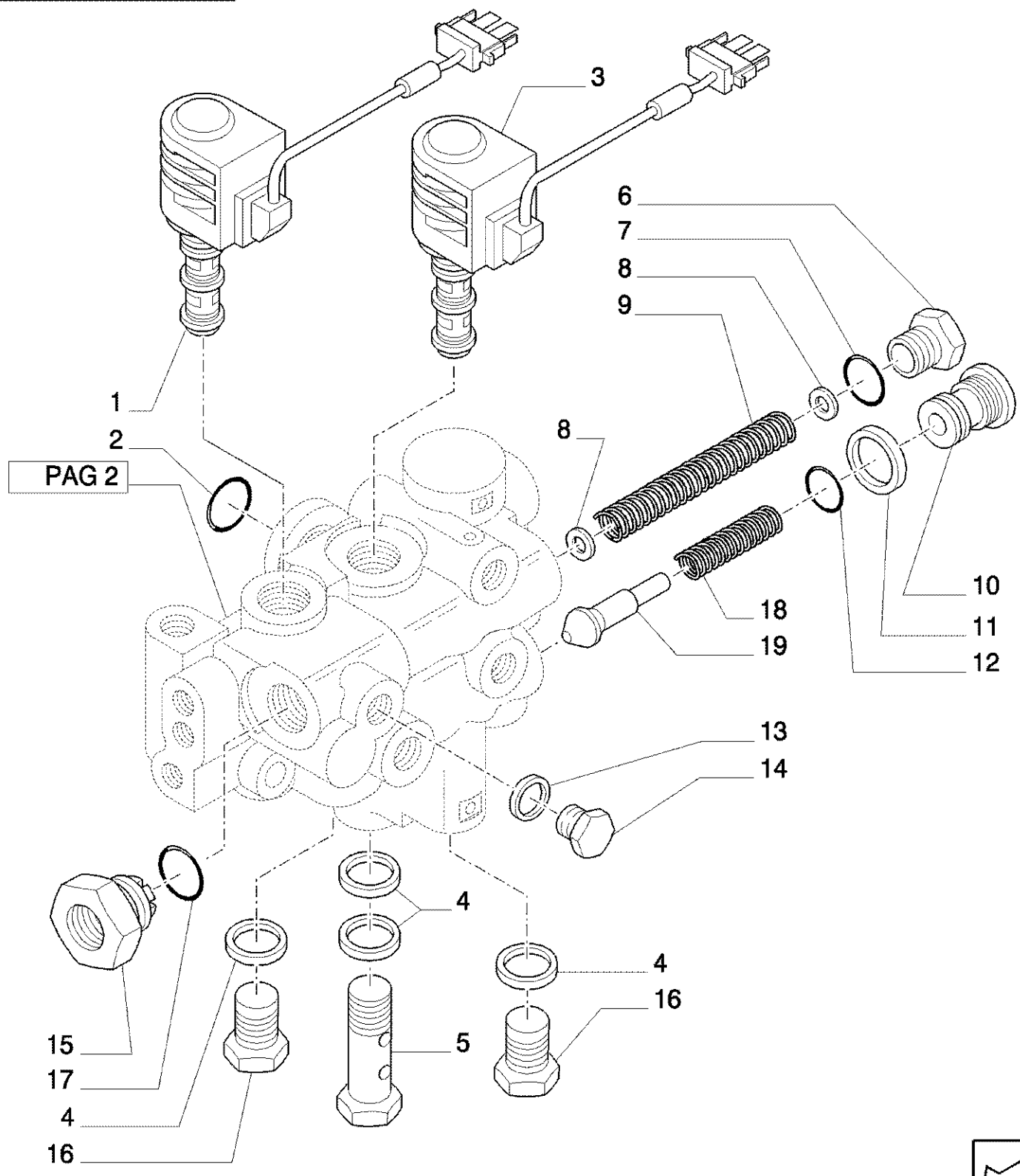
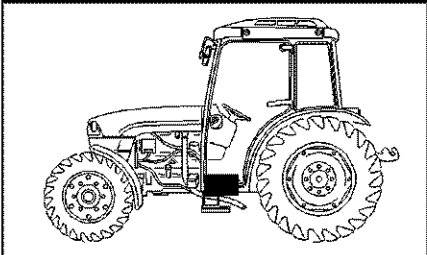
Ref	Onderdeelnummer	Kwt	Beschrijving
1	5174808	1	TREKSTANG,
2	5112148	1	HANDGREEP,
3	13904670	1	SPANSTIFT, M4 x 20, Coiled,
4	13276114	2	SCHROEF, Cross Pan Hd, M6 x 14,
5	5156494	2	FLENS,
6	5109058	1	LAGERBUS, D=10.5 x 25 x 16
7	11197774	2	WASHER, SPRING, Belleville, M6.4,
8	15896221	2	MOER, M6, CI 10,

1.33.2(02) BESTURING TERUGKEER - 4WD

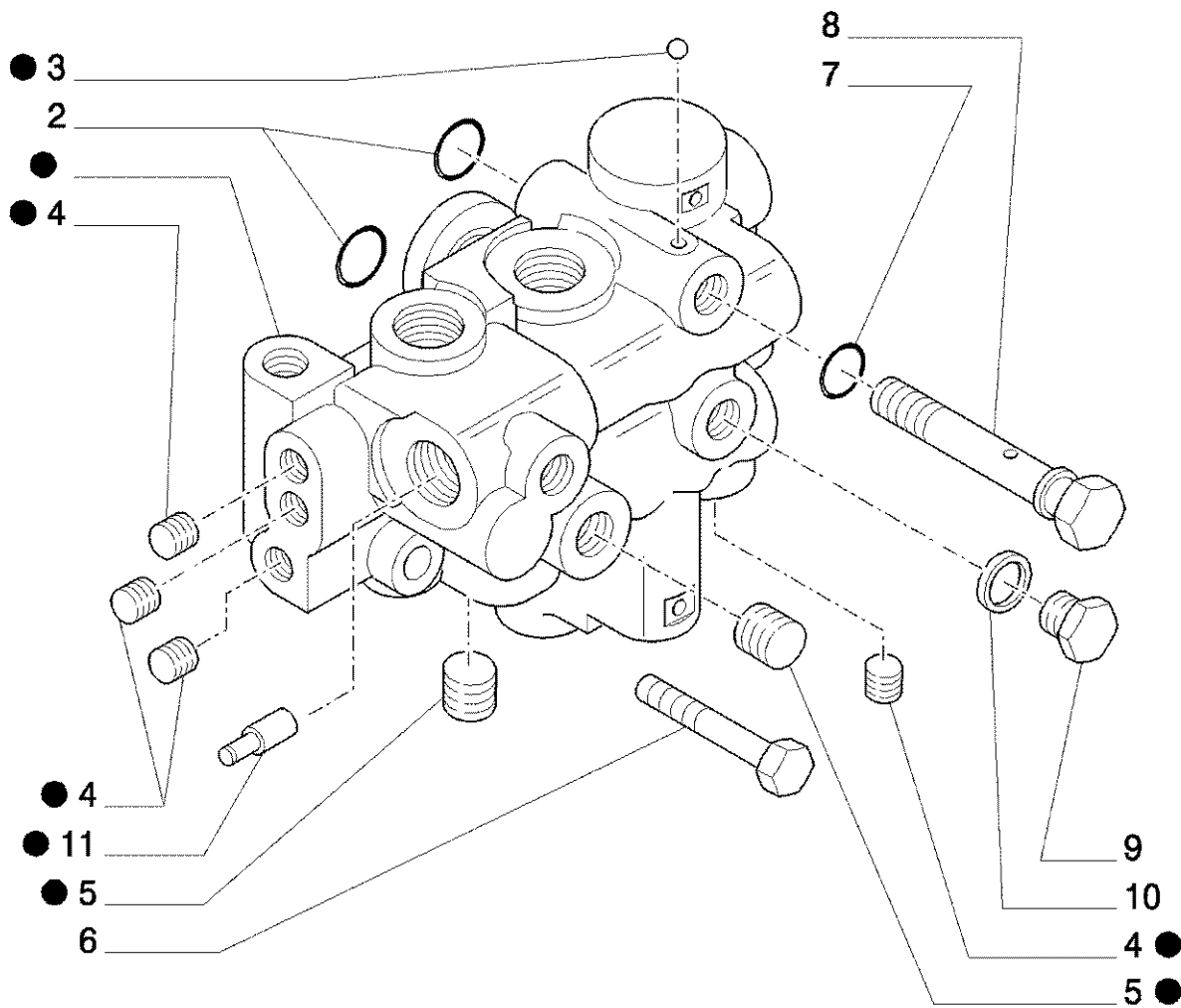
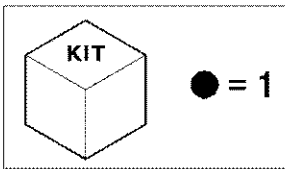
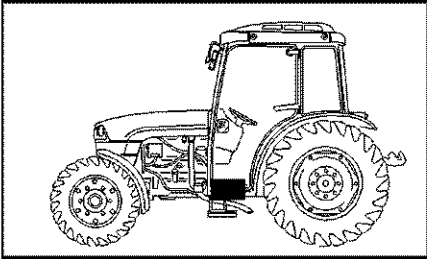


1.33.2(02) BESTURING TERUGKEER - 4WD

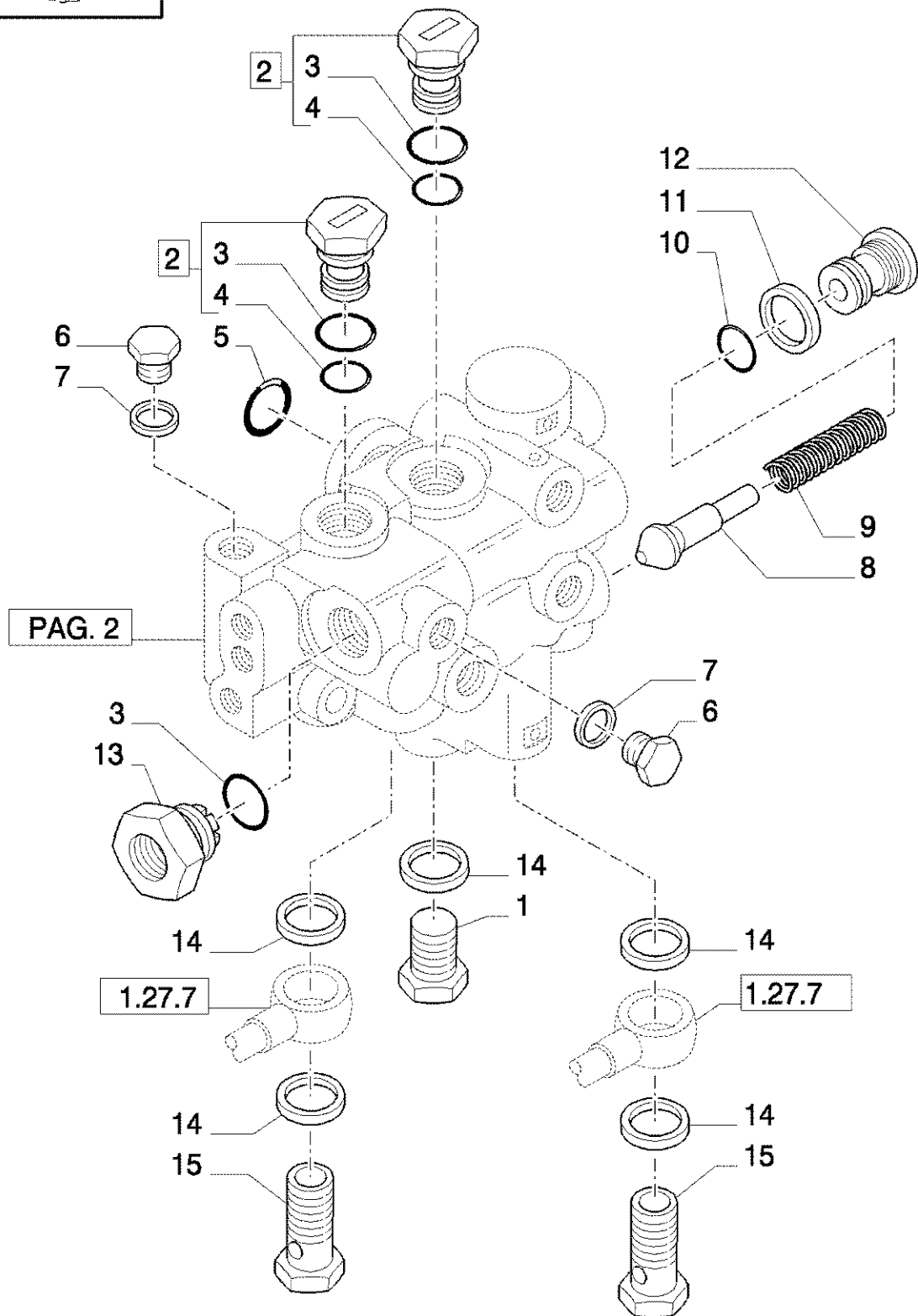
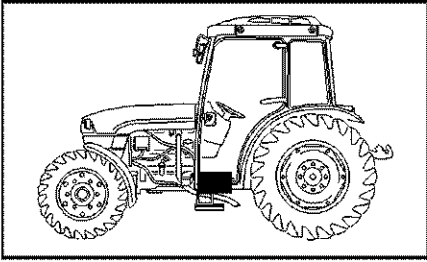
Ref	Onderdeelnummer	Kwt	Beschrijving
1	5118105	1	GLIJSCHOEN,
2	5168325	1	HEFBOOM,
3	14457281	1	O-RING, -114, CI 7, .612" ID x .103" Thk, 2.62x15.88
4	14601270	1	SLUITPEN, M5 x 28, Slotted,
5	5129032	1	VORK,
6	5182735	1	HEFBOOM,
7	5129030	1	LAGERBUS,
8	5182737	1	PEN,
9	5129024	1	SLUITRING, 14x25
10	10734301	2	SPLITPEN, M2 x 18,
11	5129033	1	VEER,
12	11066276	1	RING, SNAP, M14, Ext,
13	14496621	2	SLUITRING, M10 x 21 x 2,
14	5129442	2	LAGERBUS,



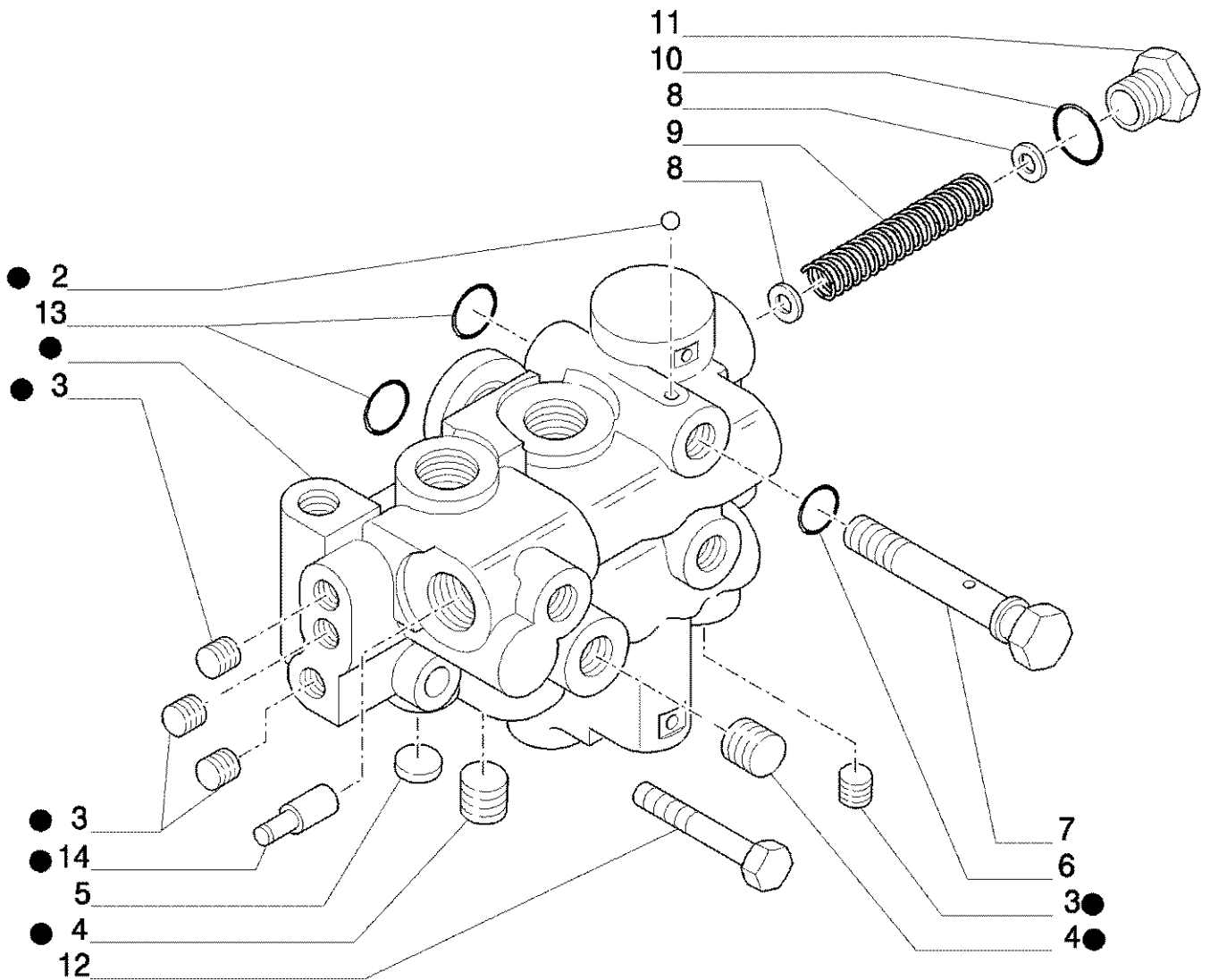
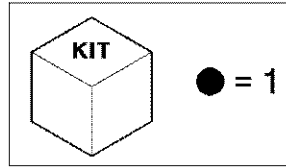
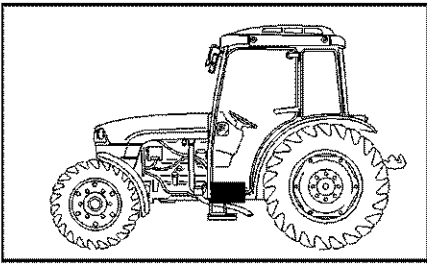
Ref	Onderdeelnummer	Kwt	Beschrijving
1	5192014	1	ELECTROKLEP, 4WD ENGA.
2	5135740	1	O-RING, -119, CI 9, .924" ID x .103" Thk,
3	5193928	1	KLEP, HYDRAULISCH,
4	10259960	4	DICHTRING, M18.3 x 24 x 1.5,
5	5173680	1	VERBINDINGSBOUT,
6	5176204	1	PLUG,
8	13550101	2	SLUITRING,
9	5157119	1	VEER,
10	5168332	1	PLUG,
11	98429280	1	DICHTINGSSTUK,
12	14456981	1	O-RING, -111, CI 7, .424" ID x .103" Thk,
13	4858607	1	WASHER, COPPER,
14	10300511	1	PLUG, M12 x 1.25 x 12, CI5.8,
15	5173444	1	VERBINDING,
16	10300811	2	PLUG, M18 x 1.5 x 14, CI5.8,
18	5114402	1	VEER,
19	5176227	1	DRUKSTANG,
17	14438085	1	O-RING, 19.3MM ID x 2.4 Thk,
7	14437985	1	O-RING, 15.3MM ID x 2.4 Thk,



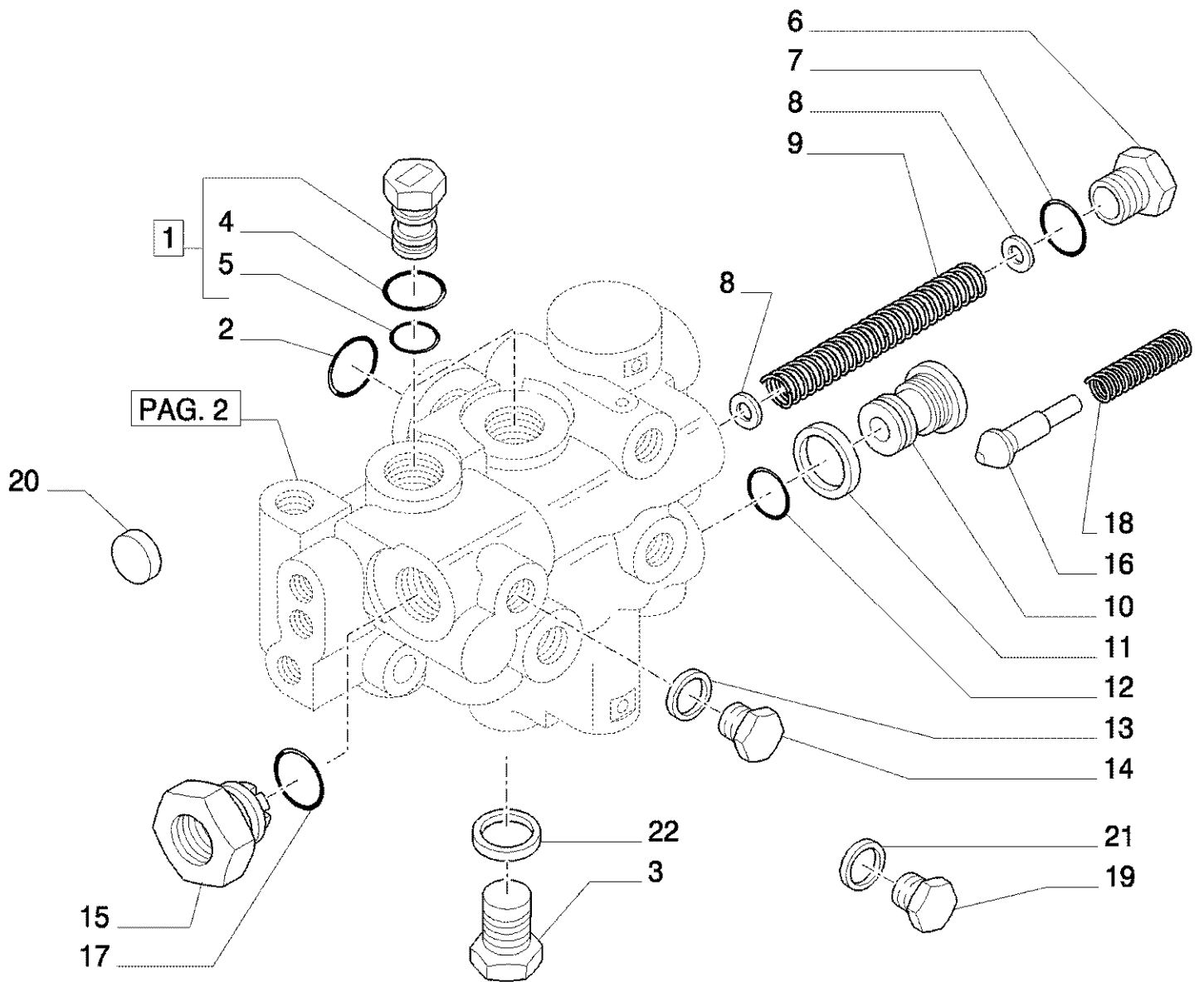
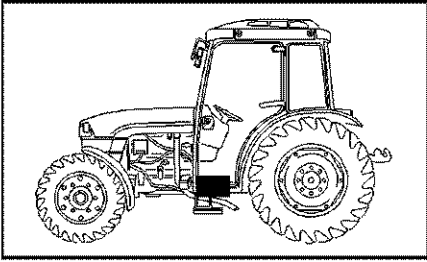
Ref	Onderdeelnummer	Kwt	Beschrijving
1	5177211	1	STEUN, ASSY, BSN HJE016863
1	47137763	1	KLEP, HYDRAULISCH, ASSY, ASN HJE016864
2	14456981	2	O-RING, -111, CI 7, .424" ID x .103" Thk,
3	20419150	1	KOGEL, 1/8"
4	14326004	4	PLUG, M10 x 1.25
5	10269550	2	PLUG, D=14, BSN HJE016863
5	10269504	2	PLUG, D=14, ASN HJE016864
6	11288024	2	BOUT, Hex, M10 x 1.25 x 60, 8.8,
7	5135731	1	O-RING, -012, CI 9, .364" ID x .070" Thk,
8	5176224	1	SCHROEF,
9	11903011	1	PLUG, M10 x 1 x 11, CI5.8,
10	10260960	1	WASHER, COPPER, M10.2 x 14 x 1.5, Copper,
11	47137762	1	ZUIGER, , ASN HJE016864



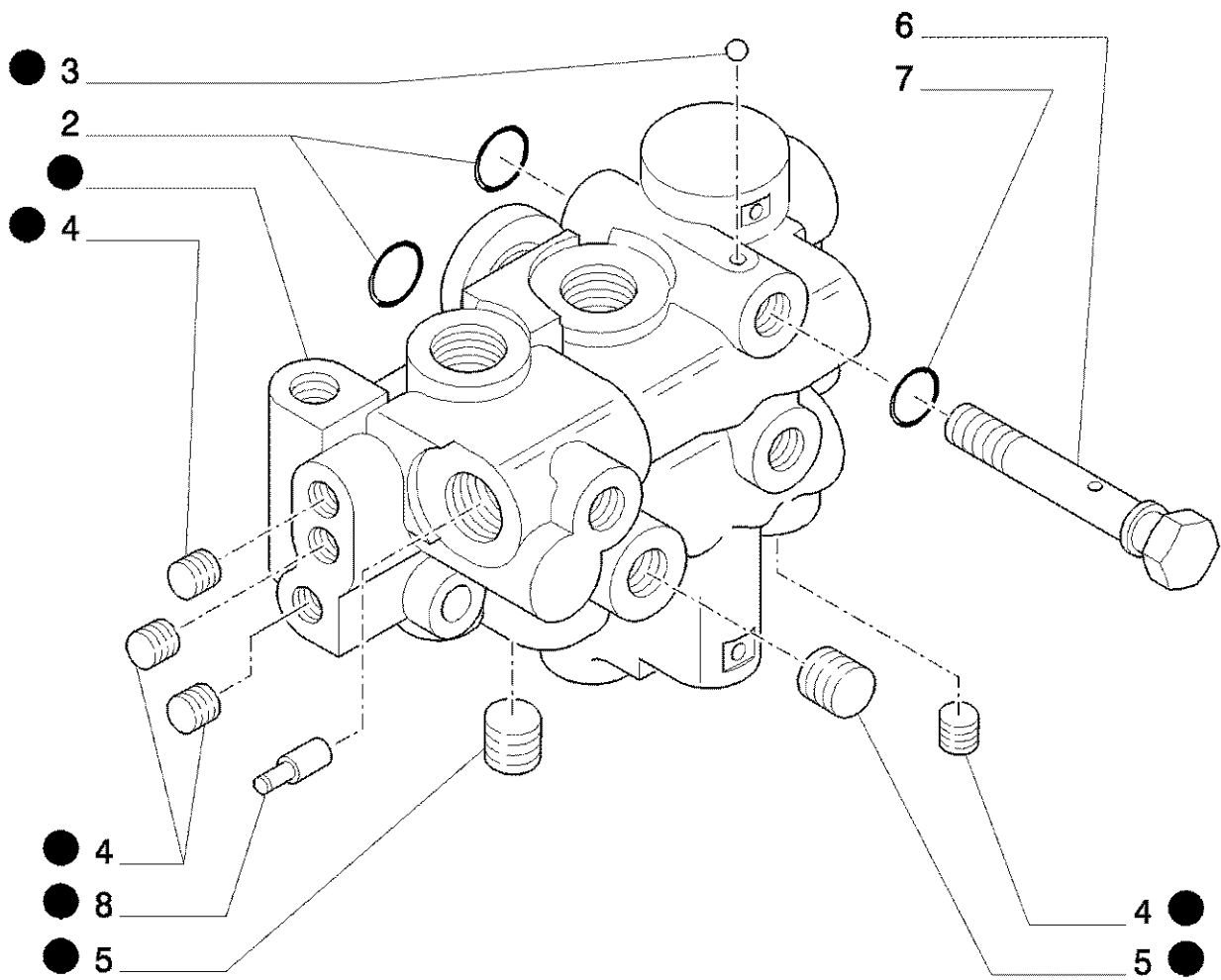
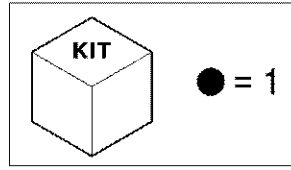
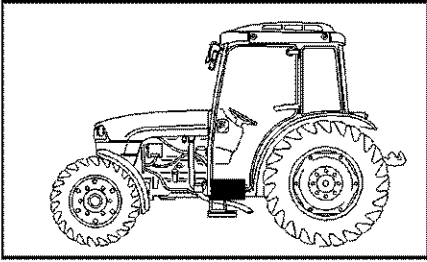
Ref	Onderdeelnummer	Kwt	Beschrijving
1	10300811	1	PLUG, M18 x 1.5 x 14, CI5.8,
2	5154967	2	PLUG,
4	14453280	2	O-RING, -015, 70 Duro, .551" ID x .070" Thk, (M14 ID x 1.78 Thk)
5	5135740	1	O-RING, -119, CI 9, .924" ID x .103" Thk,
6	10300511	2	PLUG, M12 x 1.25 x 12, CI5.8,
7	4858607	2	WASHER, COPPER, 12x18
8	5176227	1	DRUKSTANG,
9	5114402	1	VEER,
10	14456981	1	O-RING, -111, CI 7, .424" ID x .103" Thk,
11	98429280	1	DICHTINGSSTUK, 20x26
12	5168332	1	PLUG,
13	5173444	1	VERBINDING,
14	5167640	5	DICHTRING, 18x24
15	5184345	2	VERBINDINGSBOUT,
3	14438085	3	O-RING, 19.3MM ID x 2.4 Thk,



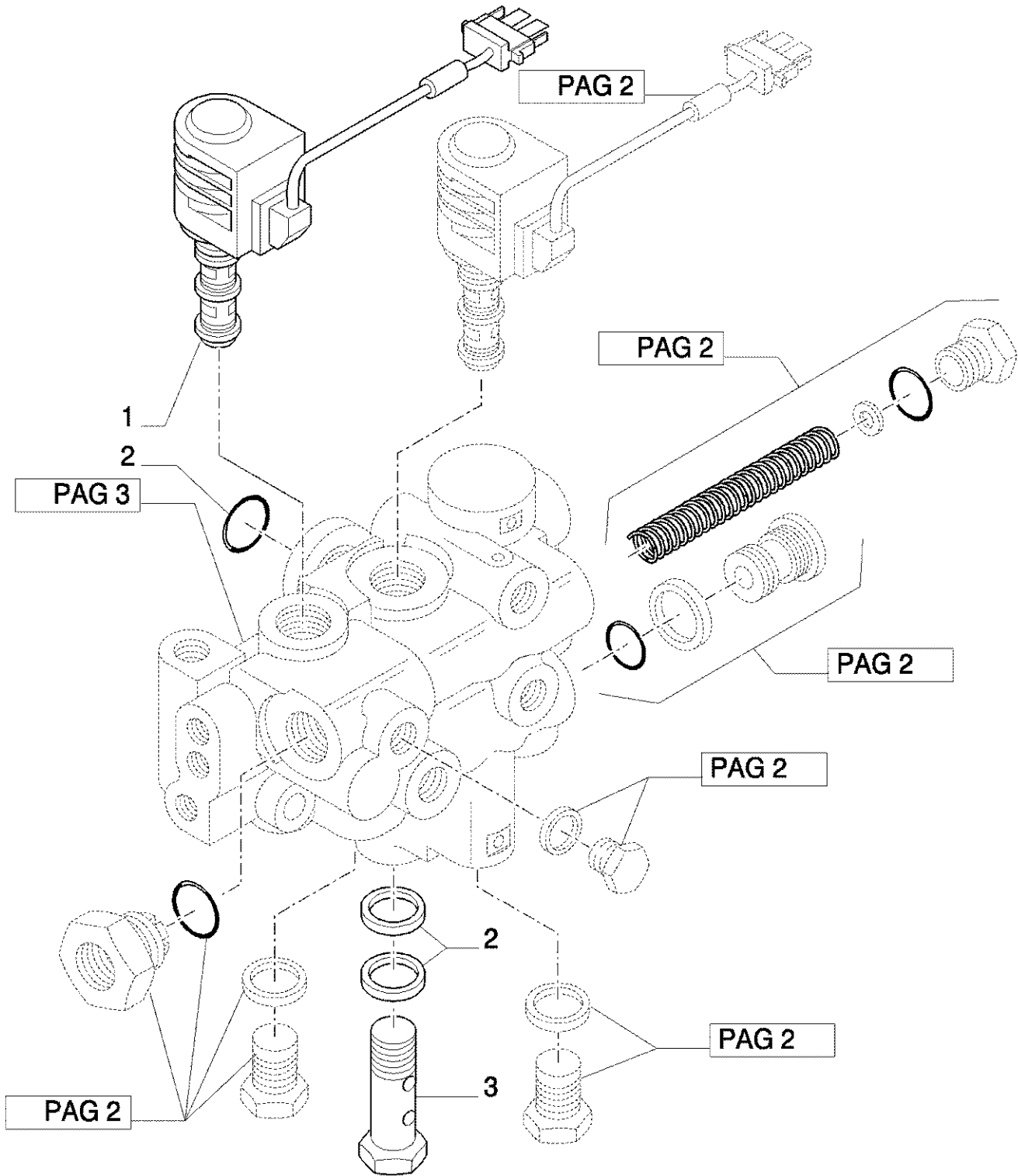
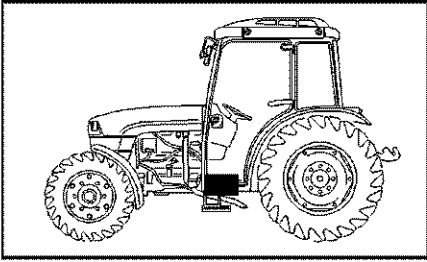
Ref	Onderdeelnummer	Kwt	Beschrijving
1	5177211	1	STEUN, ASSY, BSN HJE016863
1	47137763	1	KLEP, HYDRAULISCH, ASSY, ASN HJE016864
2	20419150	1	KOGEL, 1/8"
3	14326004	4	PLUG, M10 x 1.25
4	10269501	2	PLUG, D=14, BSN HJE016863
4	10269504	2	PLUG, D=14, ASN HJE016864
5	14328501	1	PLUG, M16, Tapered,
6	5135731	1	O-RING, -012, CI 9, .364" ID x .070" Thk,
7	5176224	1	SCHROEF,
8	13550101	2	SLUITRING, 5x11
9	5157119	1	VEER,
11	5176204	1	PLUG,
12	11288024	2	BOUT, Hex, M10 x 1.25 x 60, 8.8,
13	14456981	2	O-RING, -111, CI 7, .424" ID x .103" Thk,
14	47137762	1	ZUIGER, , ASN HJE016864
10	14437985	1	O-RING, 15.3MM ID x 2.4 Thk,



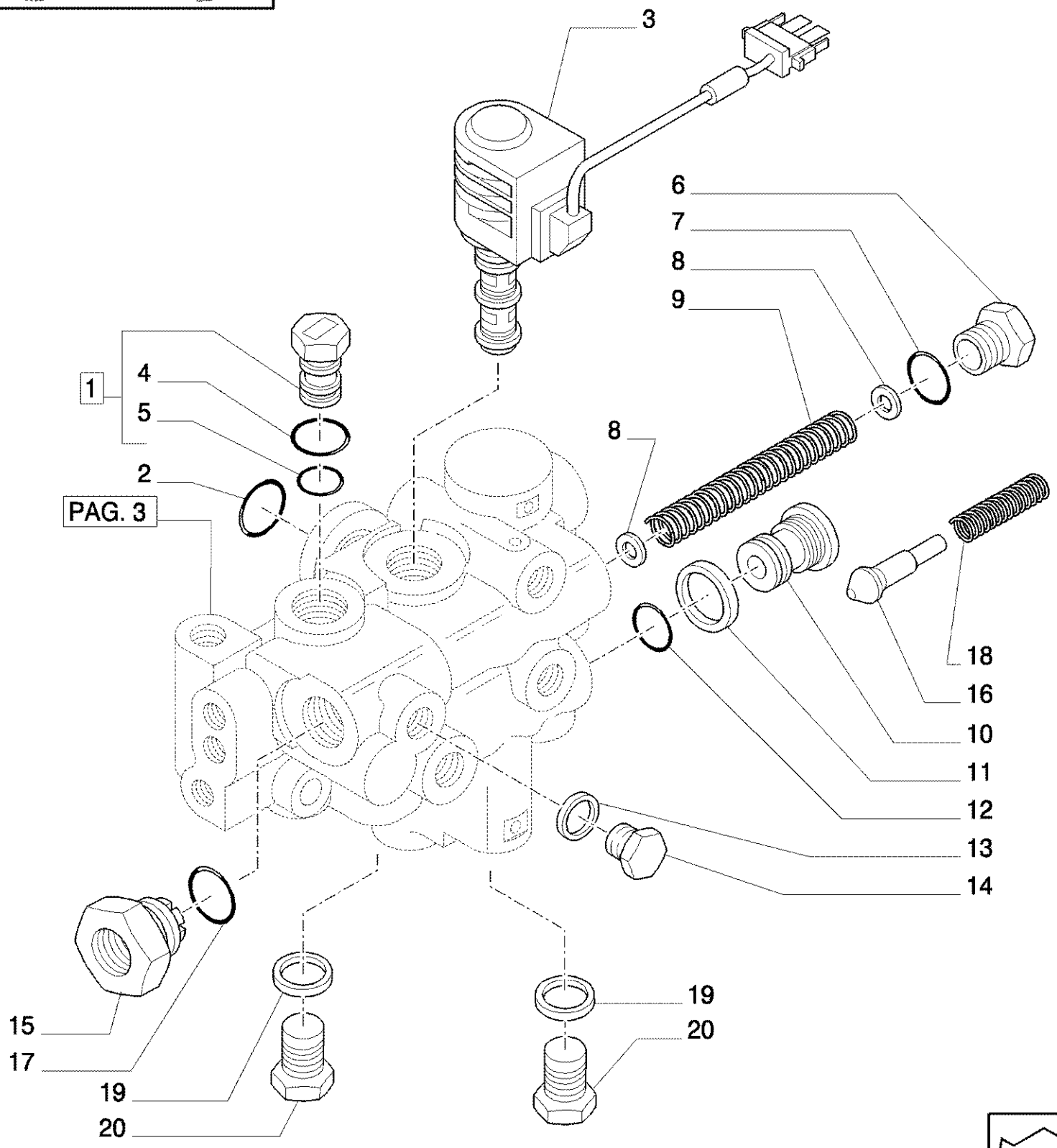
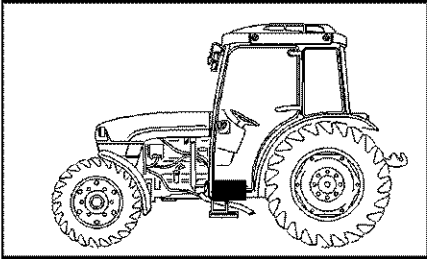
Ref	Onderdeelnummer	Kwt	Beschrijving
1	5154967	2	PLUG, 2WD
2	5135740	1	O-RING, -119, CI 9, .924" ID x .103" Thk, 2WD
3	10300811	3	PLUG, M18 x 1.5 x 14, CI5.8,
5	14453280	1	O-RING, -015, 70 Duro, .551" ID x .070" Thk, (M14 ID x 1.78 Thk), 2WD
6	5176204	1	PLUG,
8	13550101	2	SLUITRING,
9	5157119	1	VEER,
10	5168332	1	PLUG,
11	98429280	1	DICHTINGSSTUK,
12	14456981	1	O-RING, -111, CI 7, .424" ID x .103" Thk,
13	4858607	1	WASHER, COPPER,
14	10300511	1	PLUG, M12 x 1.25 x 12, CI5.8,
15	5173444	1	VERBINDING,
16	5176227	1	DRUKSTANG,
18	5114402	1	VEER,
19	11903011	1	PLUG, M10 x 1 x 11, CI5.8,
20	14328501	1	PLUG, M16, Tapered,
21	10260960	1	WASHER, COPPER, M10.2 x 14 x 1.5, Copper,
22	10259960	3	DICHTRING, M18.3 x 24 x 1.5,
4	14438085	1	O-RING, 19.3MM ID x 2.4 Thk, 2WD
17	14438085	1	O-RING, 19.3MM ID x 2.4 Thk,
7	14437985	1	O-RING, 15.3MM ID x 2.4 Thk,



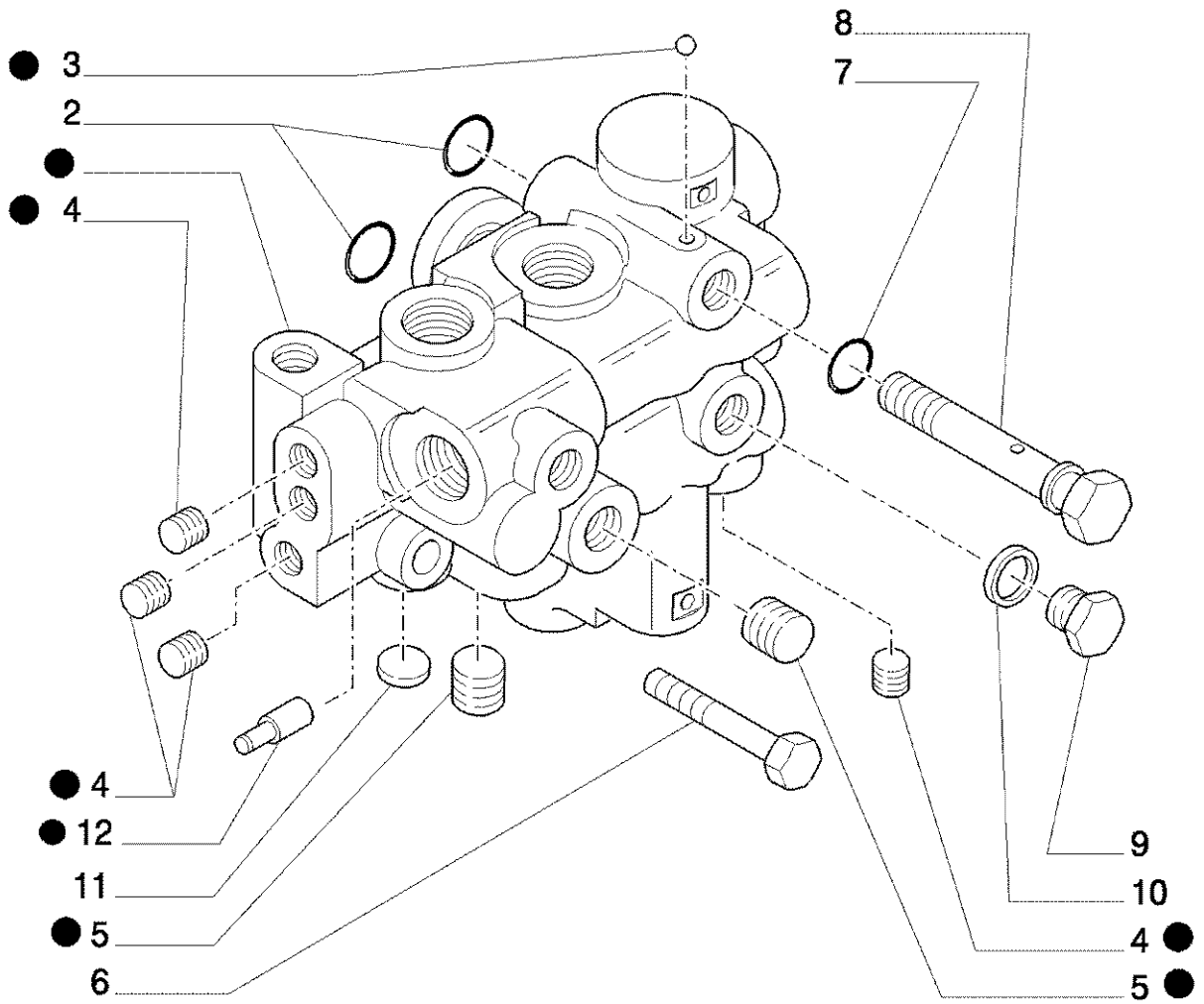
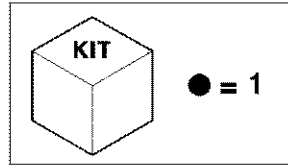
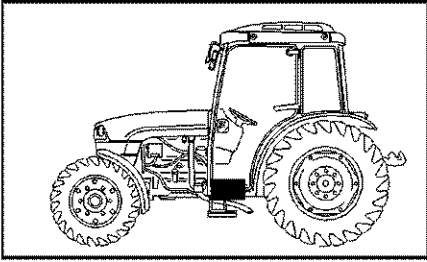
Ref	Onderdeelnummer	Kwt	Beschrijving
1	5177211	1	STEUN, ASSY, BSN HJE016863
1	47137763	1	KLEP, HYDRAULISCH, ASSY, ASN HJE016864
2	14456981	2	O-RING, -111, CI 7, .424" ID x .103" Thk,
3	20419150	1	KOGEL, 1/8"
4	14326004	4	PLUG, M10 x 1.25
5	10269504	2	PLUG, D=14, BSN HJE016863
5	10269504	2	PLUG, D=14, ASN HJE016864
6	5176224	1	SCHROEF,
7	14452981	1	O-RING, -012, CI 7, .364" ID x .070" Thk,
8	47137762	1	ZUIGER, , ASN HJE016864



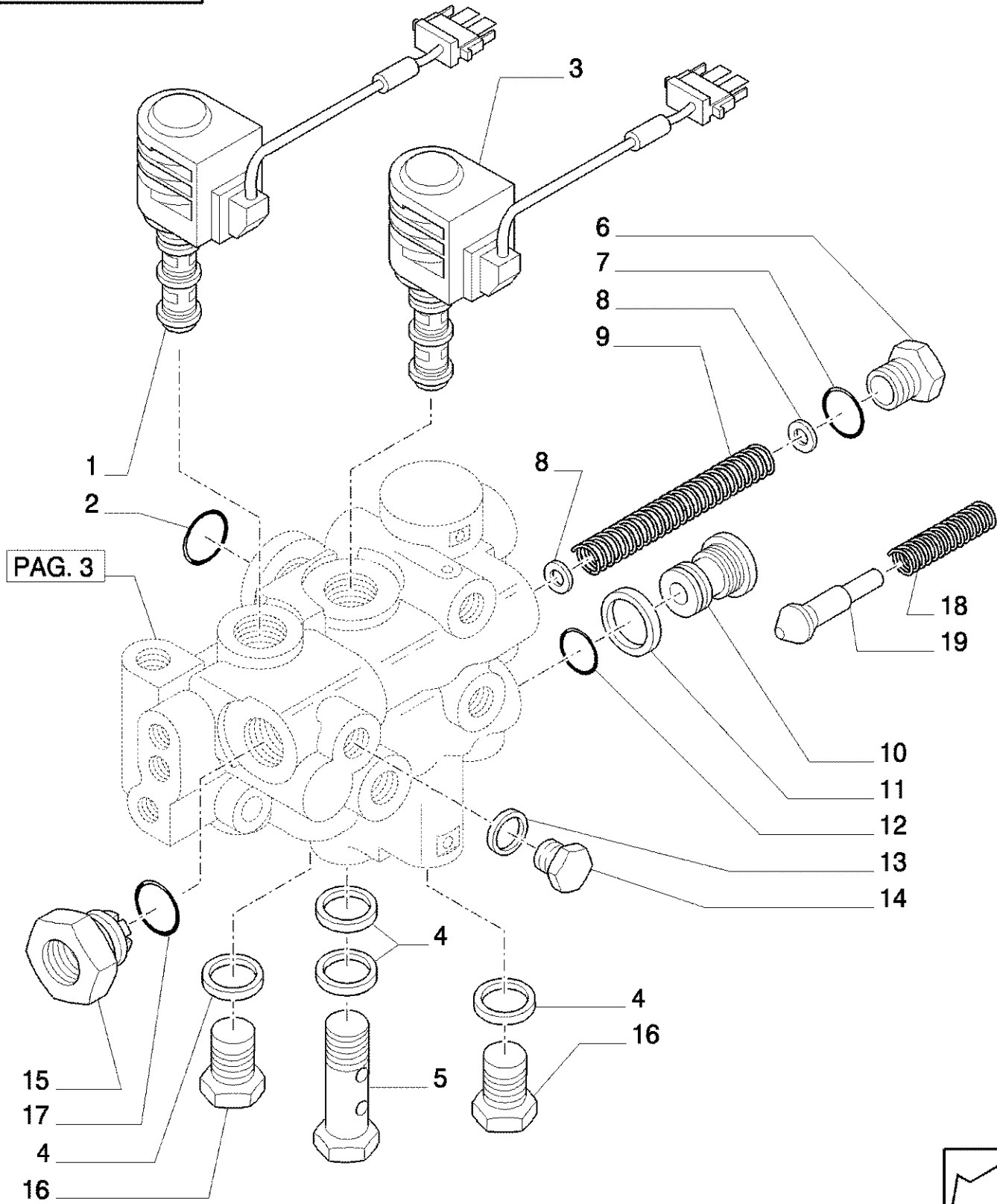
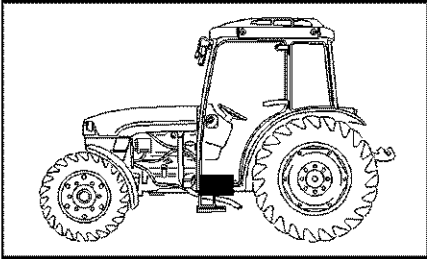
Ref	Onderdeelnummer	Kwt	Beschrijving
1	5192014	1	ELECTROKLEP,
2	10259960	2	DICHTRING, M18.3 x 24 x 1.5,
3	5173680	1	VERBINDINGSBOUT,



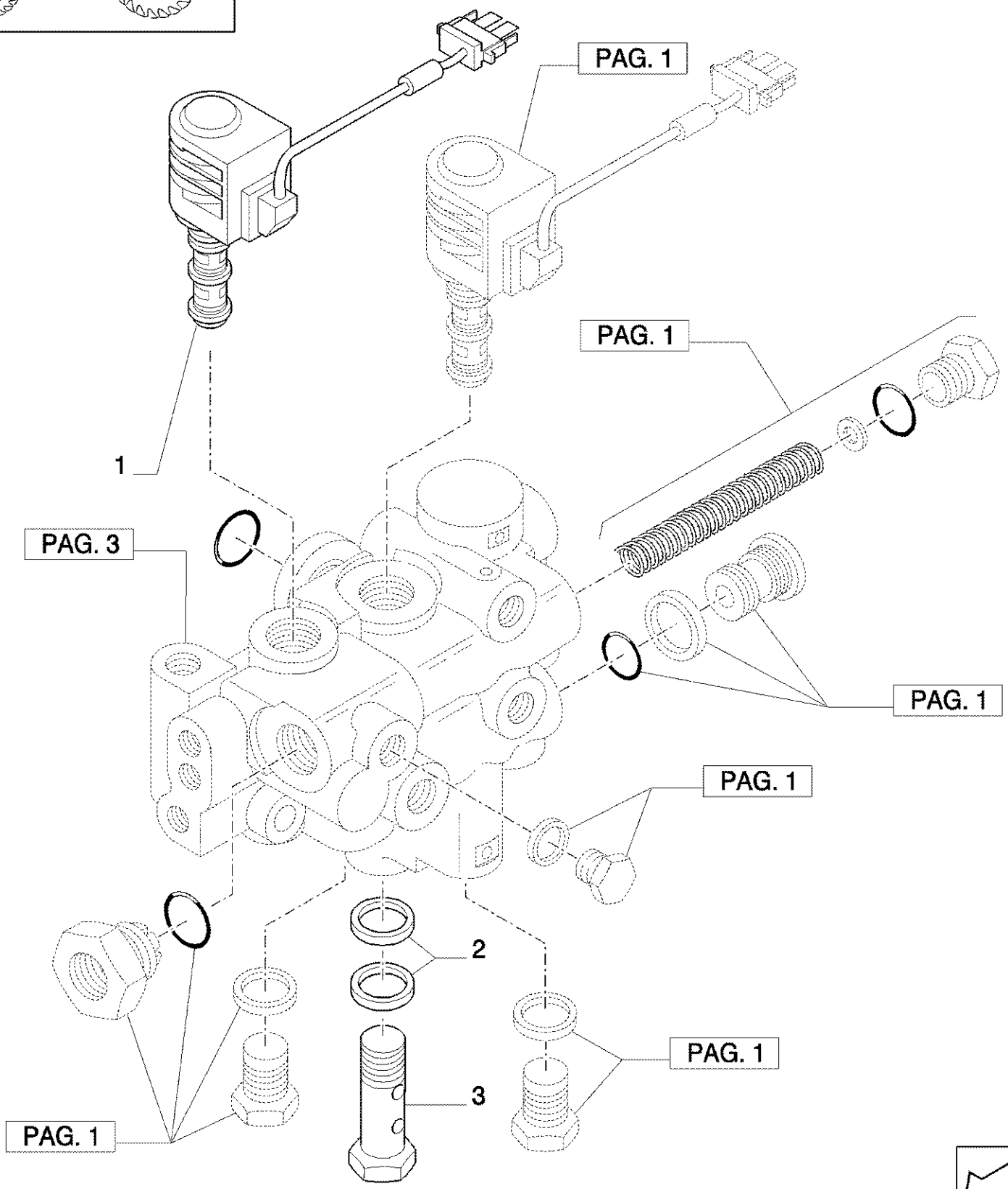
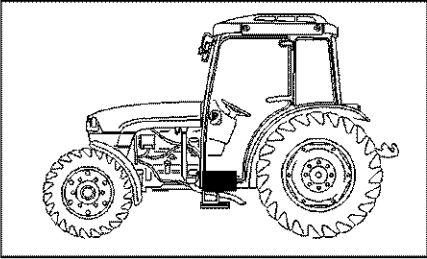
Ref	Onderdeelnummer	Kwt	Beschrijving
1	5154967	1	PLUG, 2WD
2	5135740	1	O-RING, -119, CI 9, .924" ID x .103" Thk, 2WD
3	5193928	1	KLEP, HYDRAULISCH,
5	14453280	1	O-RING, -015, 70 Duro, .551" ID x .070" Thk, (M14 ID x 1.78 Thk), 2WD
6	5176204	1	PLUG,
8	13550101	2	SLUITRING,
9	5157119	1	VEER,
10	5168332	1	PLUG,
11	98429280	1	DICHTINGSSTUK,
12	14456981	1	O-RING, -111, CI 7, .424" ID x .103" Thk,
13	4858607	1	WASHER, COPPER,
14	10300511	1	PLUG, M12 x 1.25 x 12, CI5.8,
15	5173444	1	VERBINDING,
16	5176227	1	DRUKSTANG,
18	5114402	1	VEER,
19	10259960	2	DICHTRING, M18.3 x 24 x 1.5,
20	10300811	2	PLUG, M18 x 1.5 x 14, CI5.8,
4	14438085	1	O-RING, 19.3MM ID x 2.4 Thk, 2WD
17	14438085	1	O-RING, 19.3MM ID x 2.4 Thk,
7	14437985	1	O-RING, 15.3MM ID x 2.4 Thk,



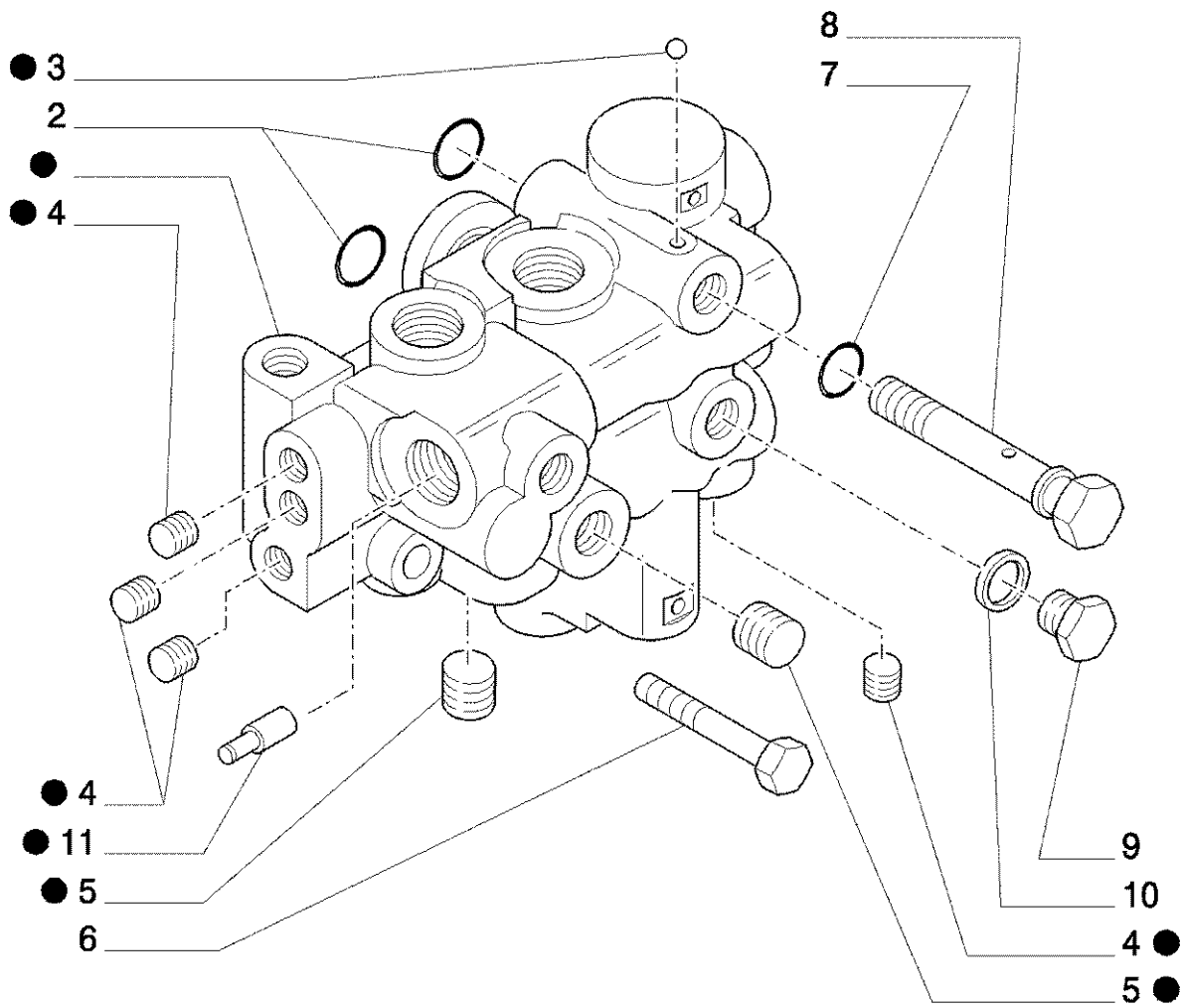
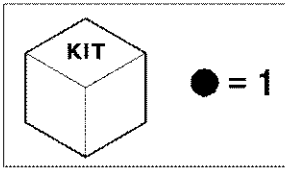
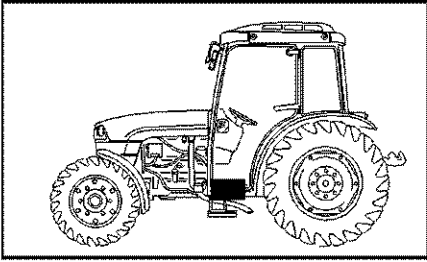
Ref	Onderdeelnummer	Kwt	Beschrijving
1	5177211	1	STEUN, ASSY, BSN HJE016863
1	47137763	1	KLEP, HYDRAULISCH, ASSY, ASN HJE016864
2	14456981	2	O-RING, -111, CI 7, .424" ID x .103" Thk,
3	20419150	1	KOGEL, 1/8"
4	14326004	4	PLUG, M10 x 1.25
5	10269550	2	PLUG, D=14, BSN HJE016863
5	10269504	1	PLUG, M14, ASN HJE016864
6	11288024	2	BOUT, Hex, M10 x 1.25 x 60, 8.8,
7	5135731	1	O-RING, -012, CI 9, .364" ID x .070" Thk,
8	5176224	1	SCHROEF,
9	11903011	1	PLUG, M10 x 1 x 11, CI5.8,
10	10260960	1	WASHER, COPPER, M10.2 x 14 x 1.5, Copper,
11	14328501	1	PLUG, M16, Tapered,
12	47137762	1	ZUIGER, , ASN HJE016864



Ref	Onderdeelnummer	Kwt	Beschrijving
1	5192014	1	ELECTROKLEP, 4WD ENGA.
2	5135740	1	O-RING, -119, CI 9, .924" ID x .103" Thk,
3	5193928	1	KLEP, HYDRAULISCH,
4	10259960	4	DICHTRING, M18.3 x 24 x 1.5,
5	5173680	1	VERBINDINGSBOUT,
6	5176204	1	PLUG, D=6x40
8	13550101	2	SLUITRING, 3.5x20x28
9	5157119	1	VEER,
10	5168332	1	PLUG,
11	98429280	1	DICHTINGSSTUK,
12	14456981	1	O-RING, -111, CI 7, .424" ID x .103" Thk,
13	4858607	1	WASHER, COPPER,
14	10300511	1	PLUG, M12 x 1.25 x 12, CI5.8,
15	5173444	1	VERBINDING,
16	10300811	2	PLUG, M18 x 1.5 x 14, CI5.8,
18	5114402	1	VEER,
19	5176227	1	DRUKSTANG,
17	14438085	1	O-RING, 19.3MM ID x 2.4 Thk,
7	14437985	1	O-RING, 15.3MM ID x 2.4 Thk, D=30

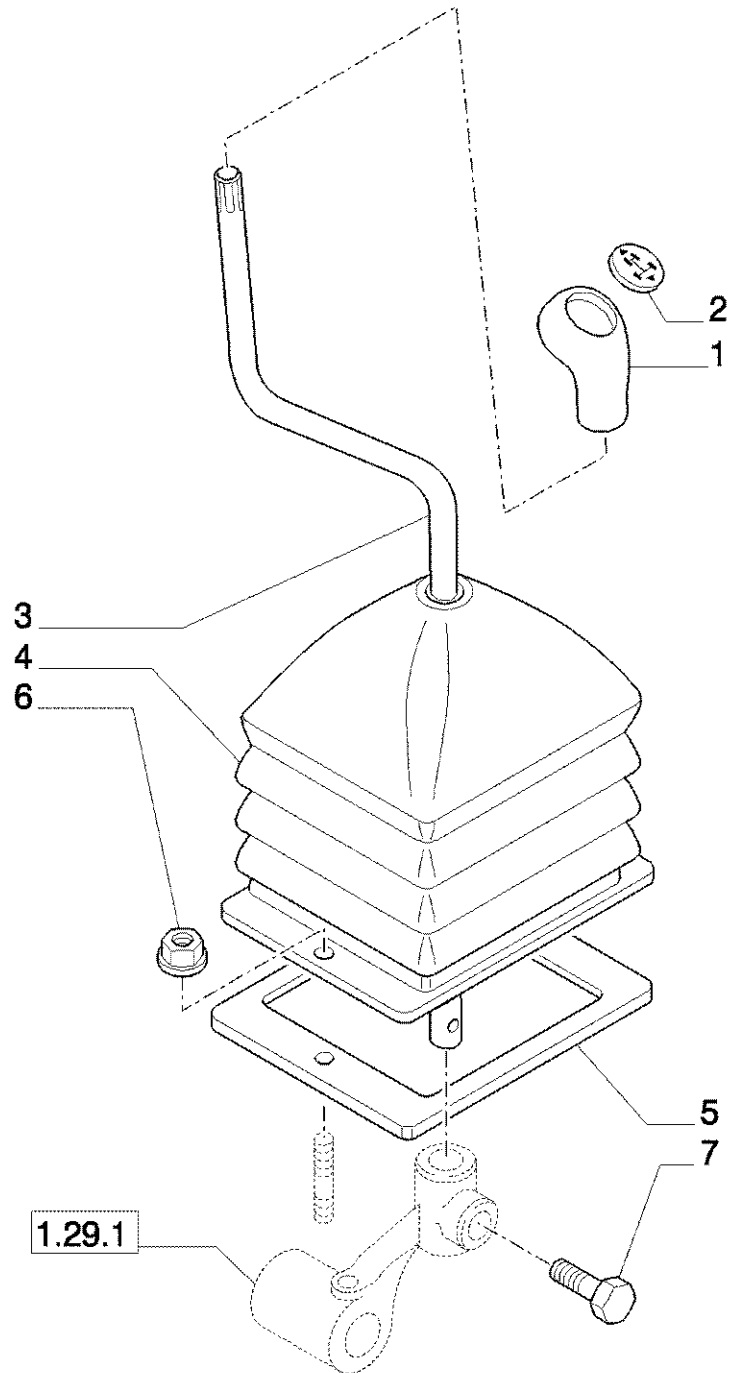
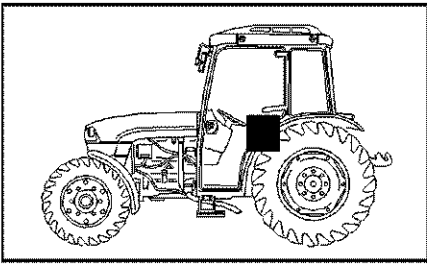


Ref	Onderdeelnummer	Kwt	Beschrijving
1	5192014	1	ELECTROKLEP,
2	10259960	1	DICHTRING, M18.3 x 24 x 1.5,
3	5173680	1	VERBINDINGSBOUT,



Ref	Onderdeelnummer	Kwt	Beschrijving
1	5177211	1	STEUN, ASSY, BSN HJE016863
1	47137763	1	KLEP, HYDRAULISCH, ASSY, ASN HJE016864
2	14456981	2	O-RING, -111, CI 7, .424" ID x .103" Thk,
3	20419150	1	KOGEL, 1/8"
4	14326004	4	PLUG, M10 x 1.25
5	10269550	2	PLUG, D=14, BSN HJE016863
5	10269504	2	PLUG, D=14, ASN HJE016864
6	11288024	2	BOUT, Hex, M10 x 1.25 x 60, 8.8,
7	5135731	1	O-RING, -012, CI 9, .364" ID x .070" Thk,
8	5176224	1	SCHROEF,
9	11903011	1	PLUG, M10 x 1 x 11, CI5.8,
10	10260960	1	WASHER, COPPER, M10.2 x 14 x 1.5, Copper,
11	47137762	1	ZUIGER, , ASN HJE016864

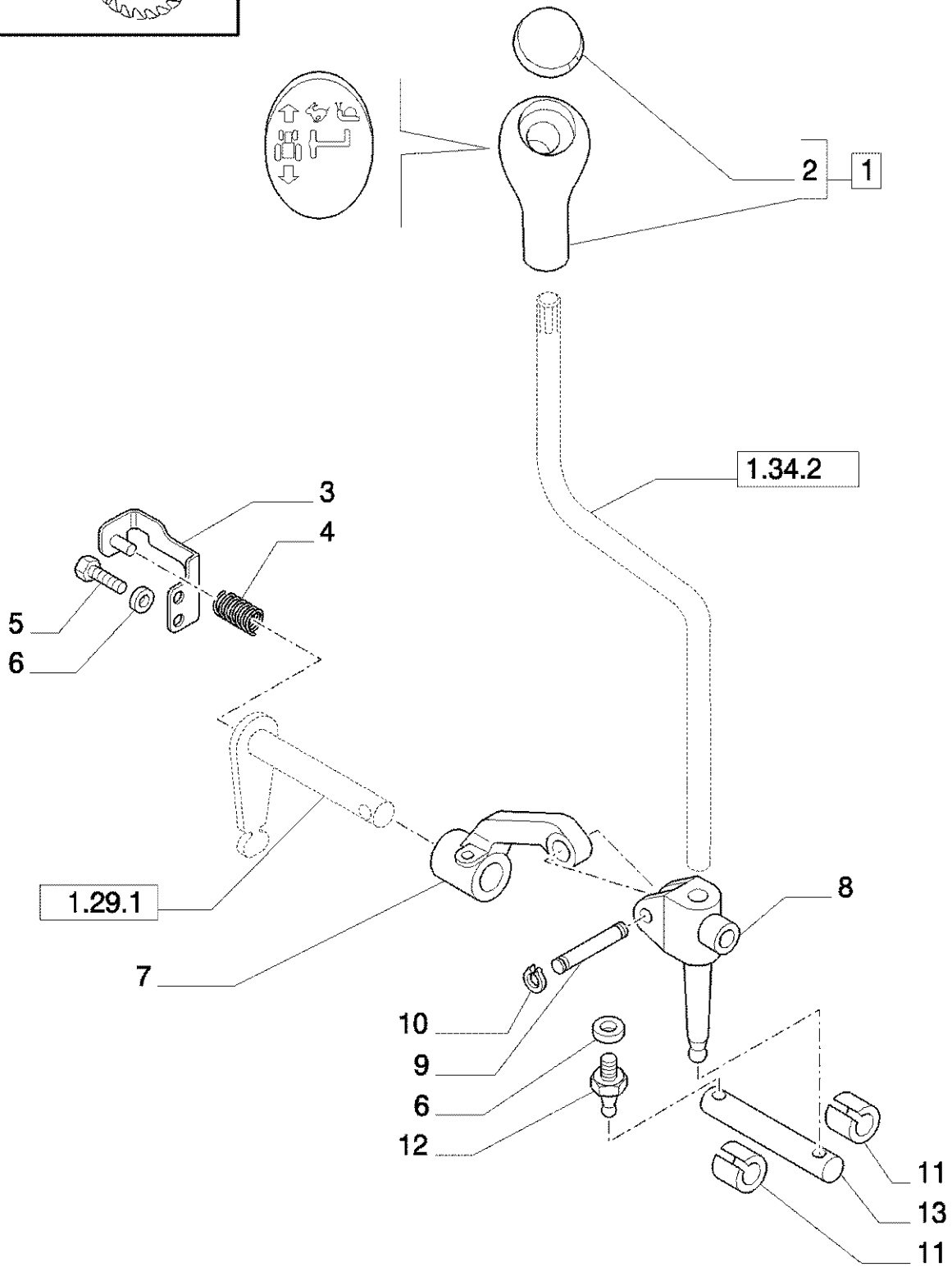
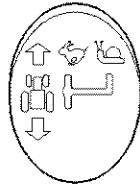
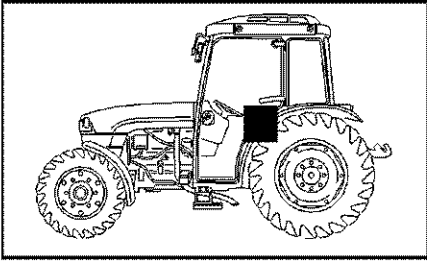
1.34.2 BESTURING INVERSOR



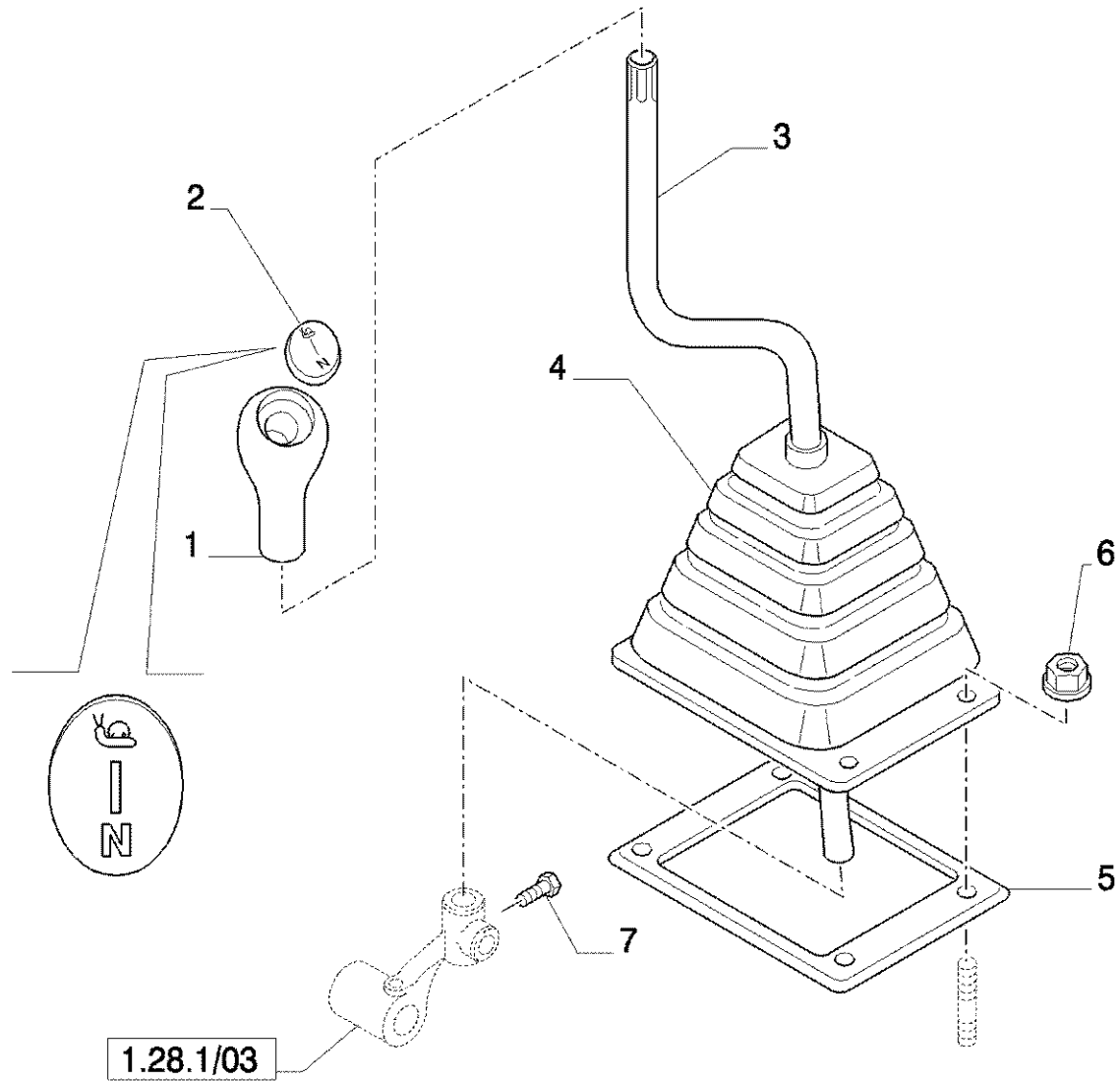
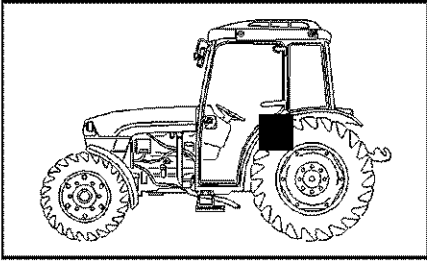
1.34.2 BESTURING INVERSOR

Ref	Onderdeelnummer	Kwt	Beschrijving
1	47056480	1	KNOP,
2	47056494	1	EMBLEM,
3	5184495	1	HEFBOOM,
4	5180694	1	BLAASBALG,
5	5180678	1	PLAAT,
6	12578017	4	MOER,
7	44013453	1	SCHROEF, M12x28

1.34.2/01 (VAR.111/1) SUPPLEMENTAIRE REDUCTOR 28X16 (30 KM/H) - STAAF EN TREKKER

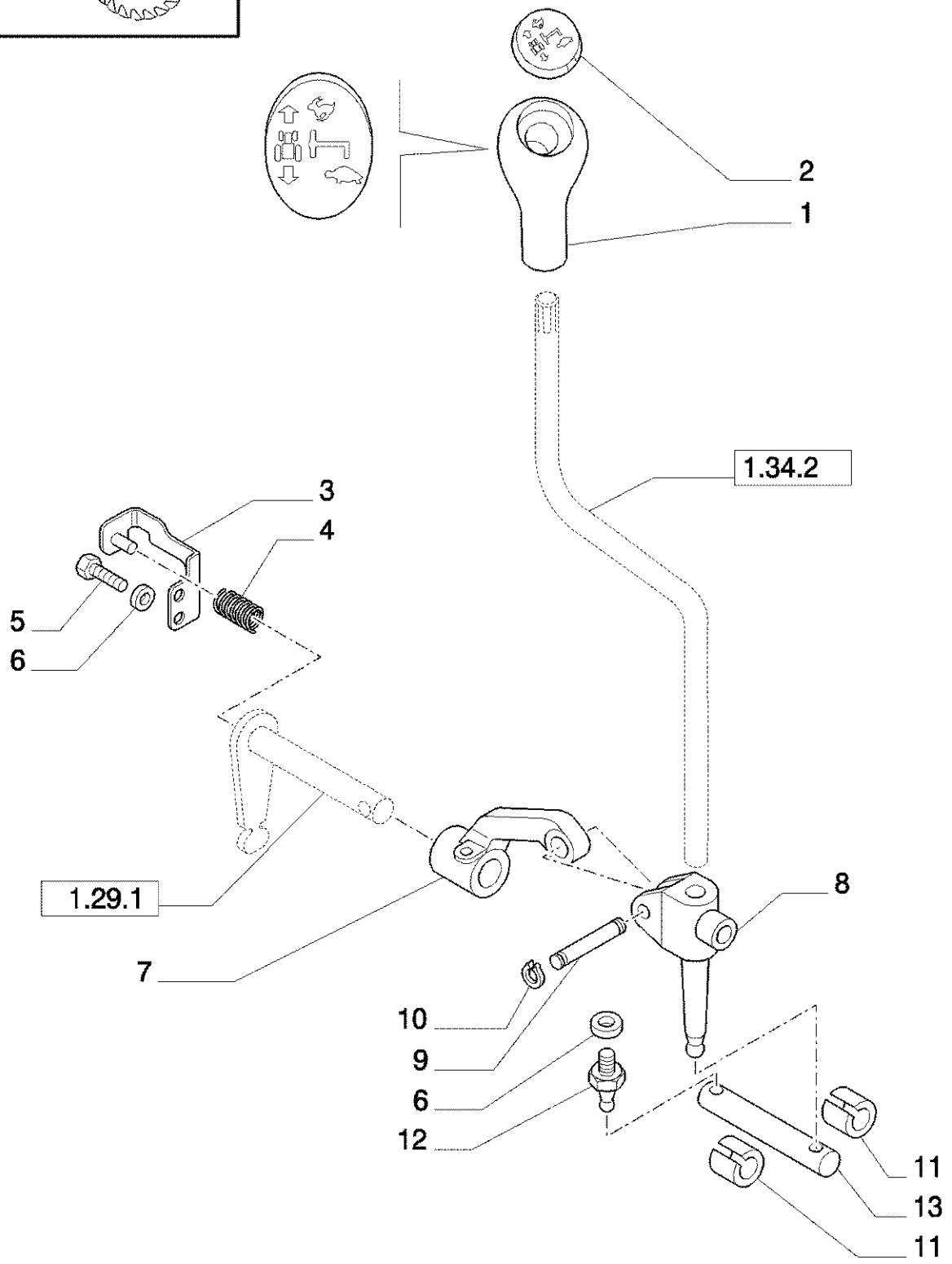
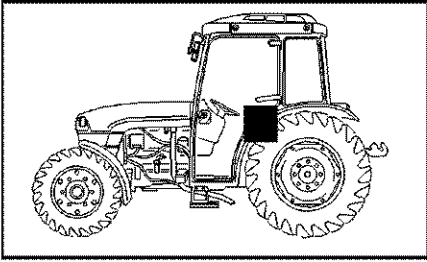


Ref	Onderdeelnummer	Kwt	Beschrijving
1	47056480	1	KNOP,
2	47056495	1	EMBLEM,
3	5178105	1	STEUNBEUGEL,
4	5157487	1	VEER,
5	16043424	2	BOUT, Hex, M8 x 20, 8.8, Full Thd,
6	11193874	2	WASHER, SPRING, Belleville, M8.4, 8x16
7	5179079	1	NAAF,
8	5184052	1	HEFBOOM,
9	5179081	1	PEN,
10	11066276	2	RING, SNAP, M14, Ext,
11	10125574	2	KLEM,
12	5166895	1	PEN,
13	5177794	1	TREKSTANG,



Ref	Onderdeelnummer	Kwt	Beschrijving
1	47056480	1	KNOP,
2	47056486	1	EMBLEM,
3	5184495	1	HEFBOOM,
4	5180694	1	BLAASBALG,
5	5180678	1	PLAAT,
6	12578017	4	MOER,
7	44013453	1	SCHROEF, M12x28

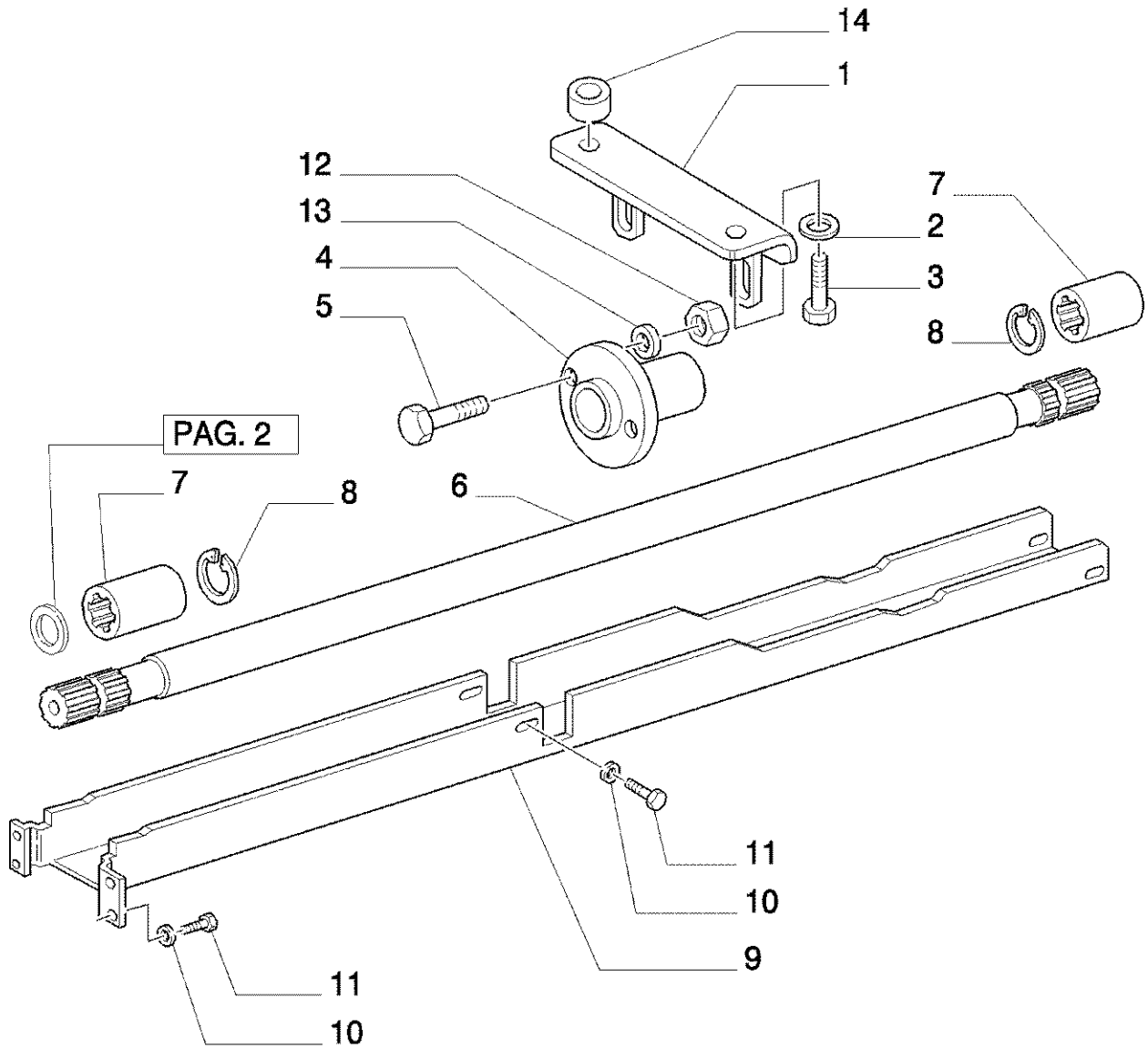
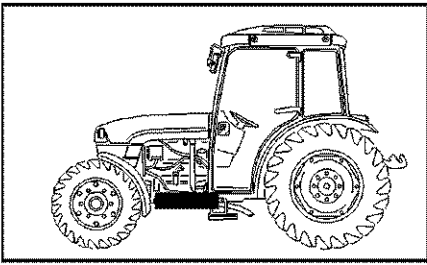
1.34.2/03 (VAR.118) SPLITTER 32X16 (30 KM/H) - BEUGEL, STAAF EN HENDEL



360 KOMPAKT TRACTOR (4/03-) - Vooras en Stuurinrichting

1.34.2/03 (VAR.118) SPLITTER 32X16 (30 KM/H) - BEUGEL, STAAF EN HENDEL

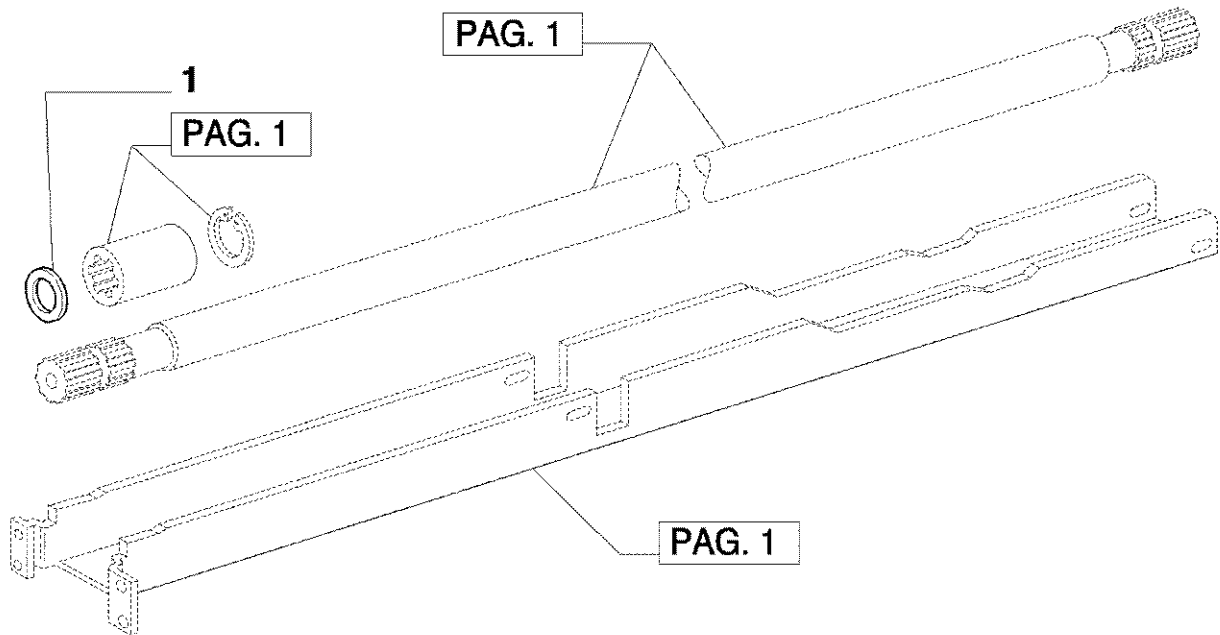
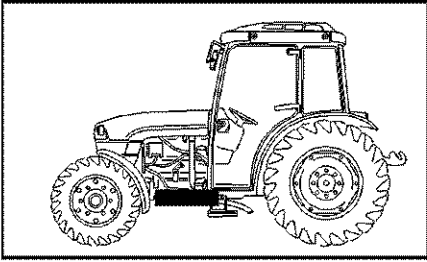
Ref	Onderdeelnummer	Kwt	Beschrijving
1	47056480	1	KNOP,
2	47056496	1	EMBLEM,
3	5178105	1	STEUNBEUGEL,
4	5157487	1	VEER,
5	16043424	2	BOUT, Hex, M8 x 20, 8.8, Full Thd,
6	11193874	3	WASHER, SPRING, Belleville, M8.4, 8x16
7	5179079	1	NAAF,
8	5184052	1	HEFBOOM,
9	5179081	1	PEN,
10	11066276	2	RING, SNAP, M14, Ext,
11	10125574	2	KLEM,
12	5166895	1	PEN,
13	5177794	1	TREKSTANG,



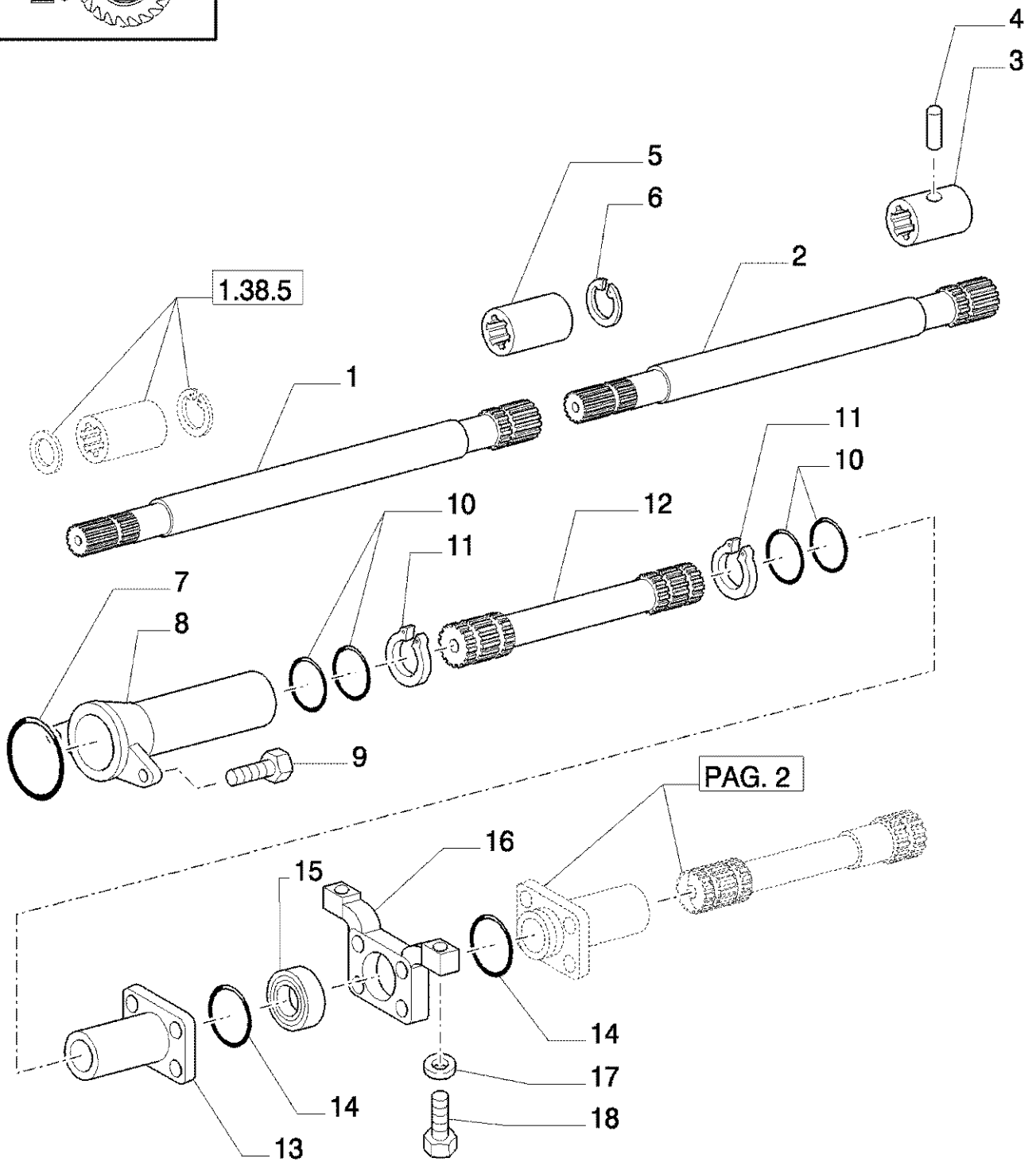
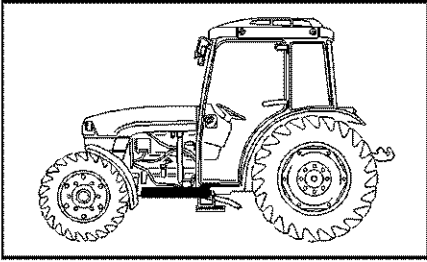
360 KOMPAKT TRACTOR (4/03-) - Vooras en Stuurinrichting

1.38.5(01) DRIJFAS - 4WD

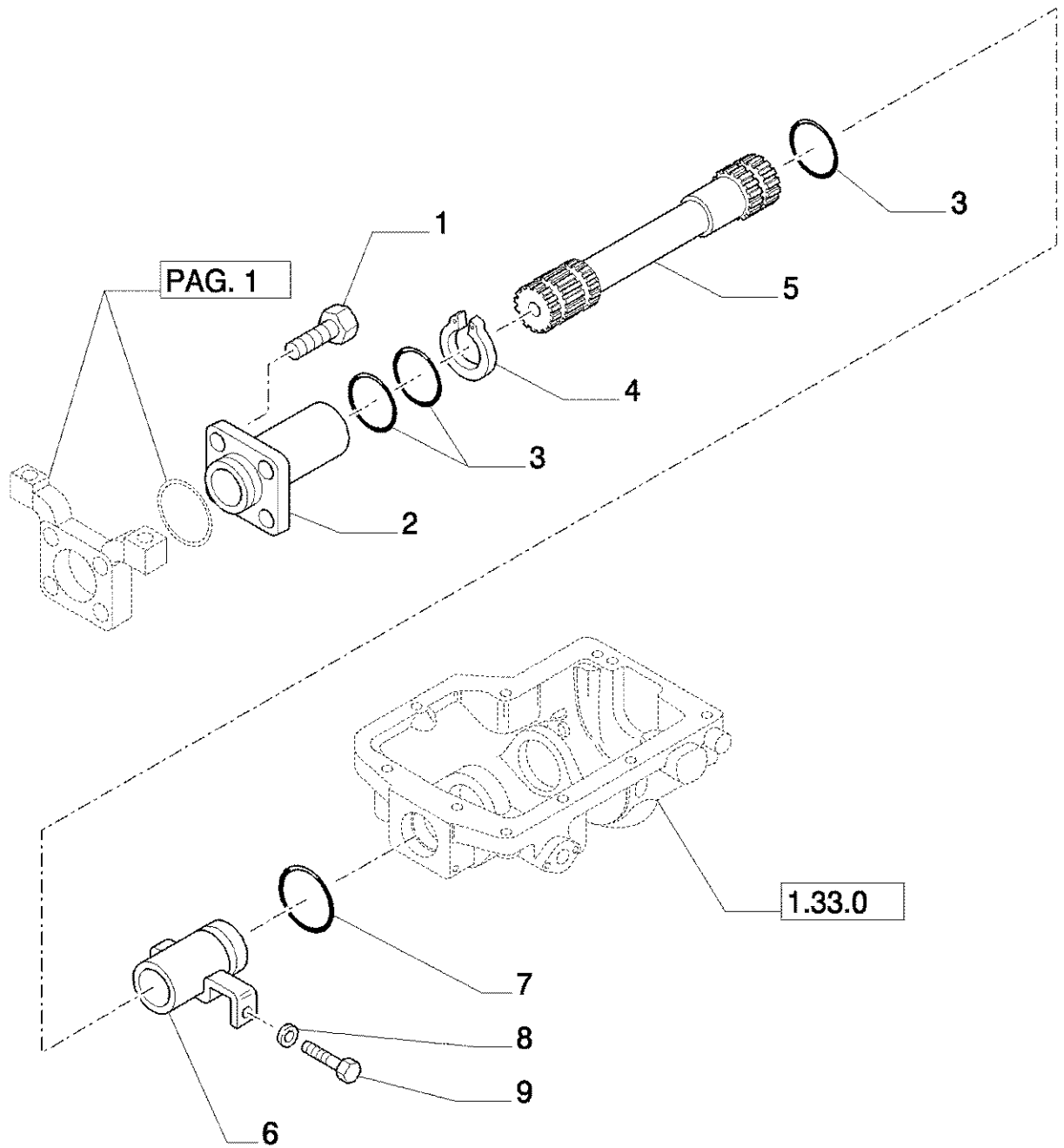
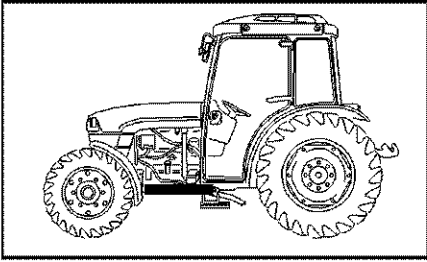
Ref	Onderdeelnummer	Kwt	Beschrijving
1	5178213	1	STEUN,
2	11197979	2	WASHER, SPRING, Belleville, M13,
3	15540724	2	BOUT, Hex, M12 x 1.25 x 45, 8.8,
4	5167098	1	STEUN,
5	15970724	2	BOUT, Hex, M10 x 1.25 x 25, 8.8, Full Thd,
6	5175735	1	DRIJFAS,
7	5199243	2	COUPLING, SPLINED,
8	11067776	2	RING, SNAP, M29, Ext,
9	5175733	1	AFSCHERMING,
10	11197874	6	WASHER, SPRING, Belleville, M8.4,
11	16043124	6	BOUT, Hex, M8 x 14, 8.8, Full Thd,
12	12164714	2	MOER, M10 x 1.25, CI 8, M10
13	11198574	2	WASHER, SPRING, Belleville, M10.5,
14	5178325	2	AFSTANDSRING,



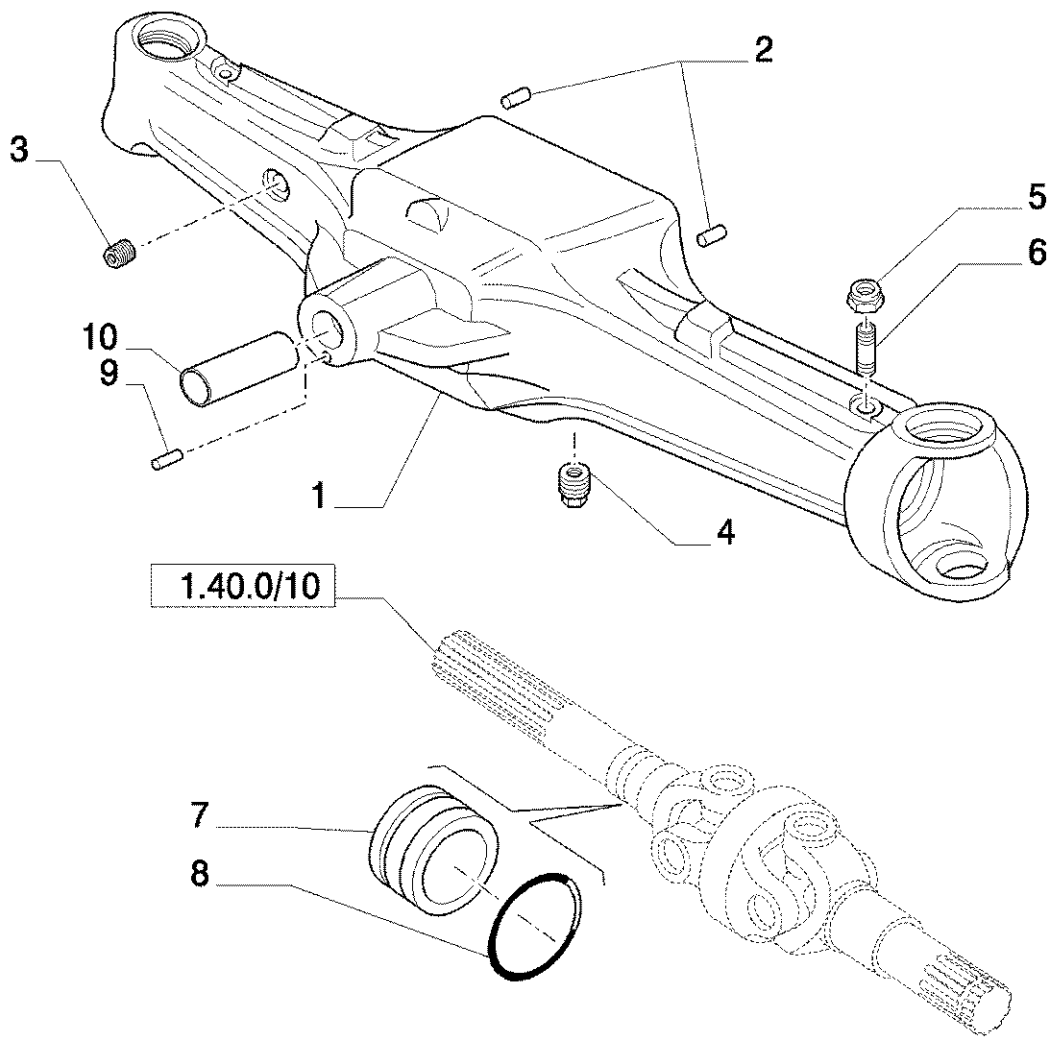
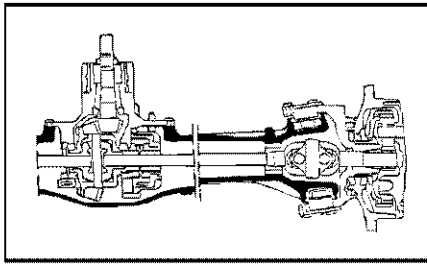
Ref	Onderdeelnummer	Kwt	Beschrijving
1	4997301	AR	DIKTEPLAAT, 2.2mm Thk,
1	4997302	AR	DIKTEPLAAT, 2.5mm Thk,
1	4997303	AR	DIKTEPLAAT, 2.8mm Thk,
1	4997304	AR	DIKTEPLAAT, 3.0mm Thk,
1	4997305	AR	DIKTEPLAAT, 3.3mm Thk,
1	4997306	AR	DIKTEPLAAT, 3.7mm Thk,
1	4997307	AR	DIKTEPLAAT, 4.0mm Thk,
1	4997308	AR	DIKTEPLAAT, 4.3mm Thk,
1	5158051	AR	DIKTEPLAAT, 1.5mm Thk,
1	5158052	AR	DIKTEPLAAT, 1.9mm Thk,



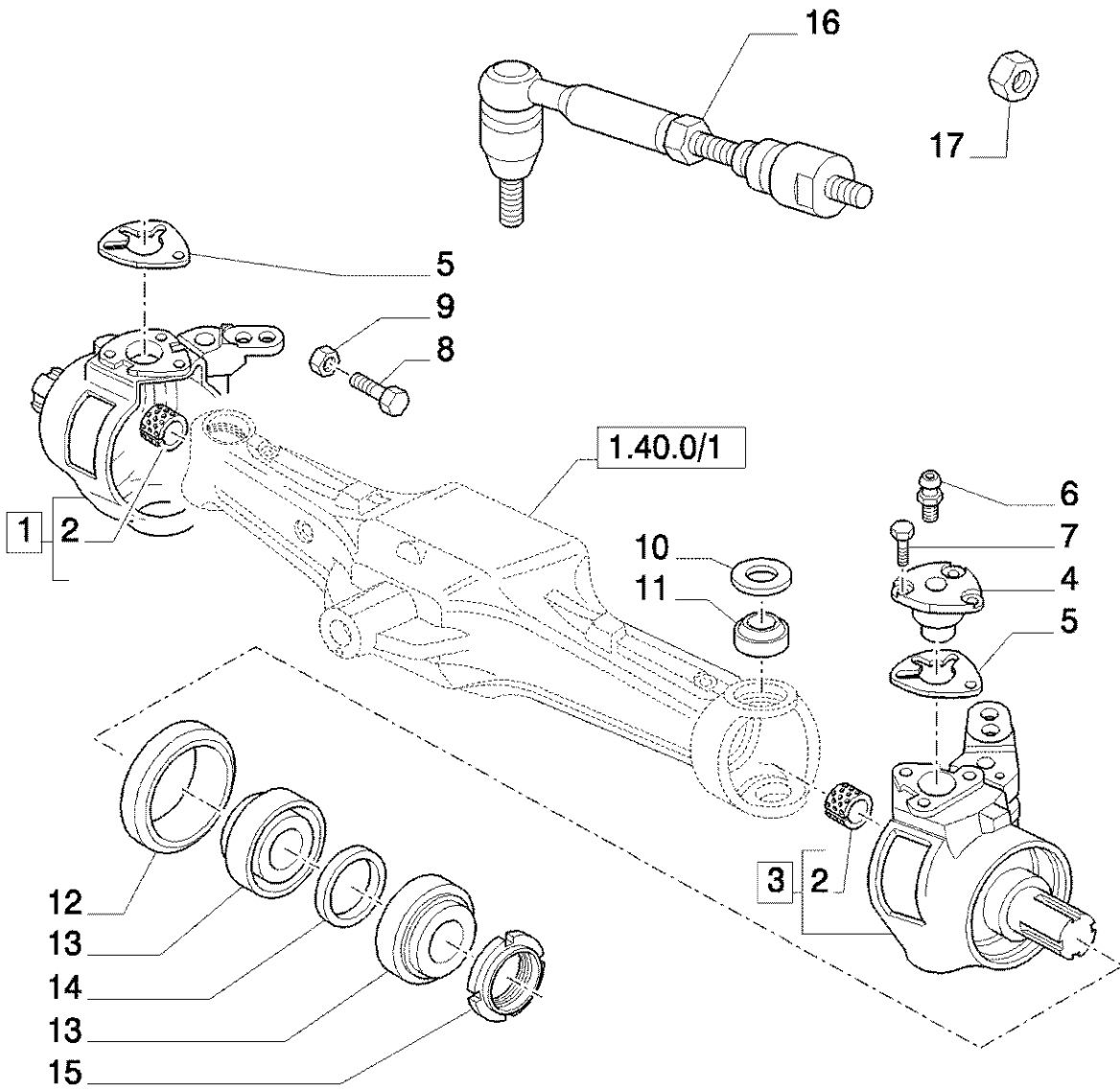
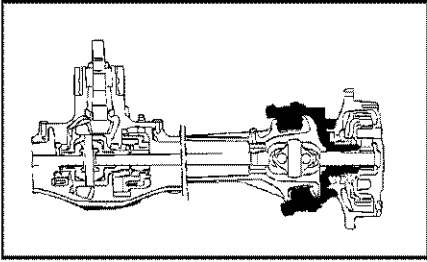
Ref	Onderdeelnummer	Kwt	Beschrijving
1	5180795	1	AS,
2	5162816	1	DRIJFAS, REAR
3	5146936	1	LAGERBUS, REAR
4	10334420	1	STEL PEN, M4 x 38,
5	4997312	1	SLEEVE, CENTER
6	11067776	2	RING, SNAP, M29, Ext,
7	14461480	1	O-RING, -156, 70 Duro, 4.237" ID x .103" Thk,
8	47124556	1	SLEEVE, FRONT
9	16043624	2	BOUT, Hex, M8 x 25, 8.8, Full Thd,
10	14459480	4	O-RING, -136, 90 Duro, 1.987" ID x .103" Thk,
11	11069676	2	RING, SNAP, M56, Ext, D=56
12	5181877	1	AFSCHERMING, FRONT
13	5181882	1	FLENS, FRONT
14	86012299	1	O-RING, -143, 90 Duro, 2.425" ID x .103" Thk,
15	24905120	1	LAGER,
16	5181901	1	STEUN,
17	11197979	2	WASHER, SPRING, Belleville, M13,
18	15540824	2	BOUT, Hex, M12 x 1.25 x 50, 8.8,
18	15540724	2	BOUT, Hex, M12 x 1.25 x 45, 8.8,



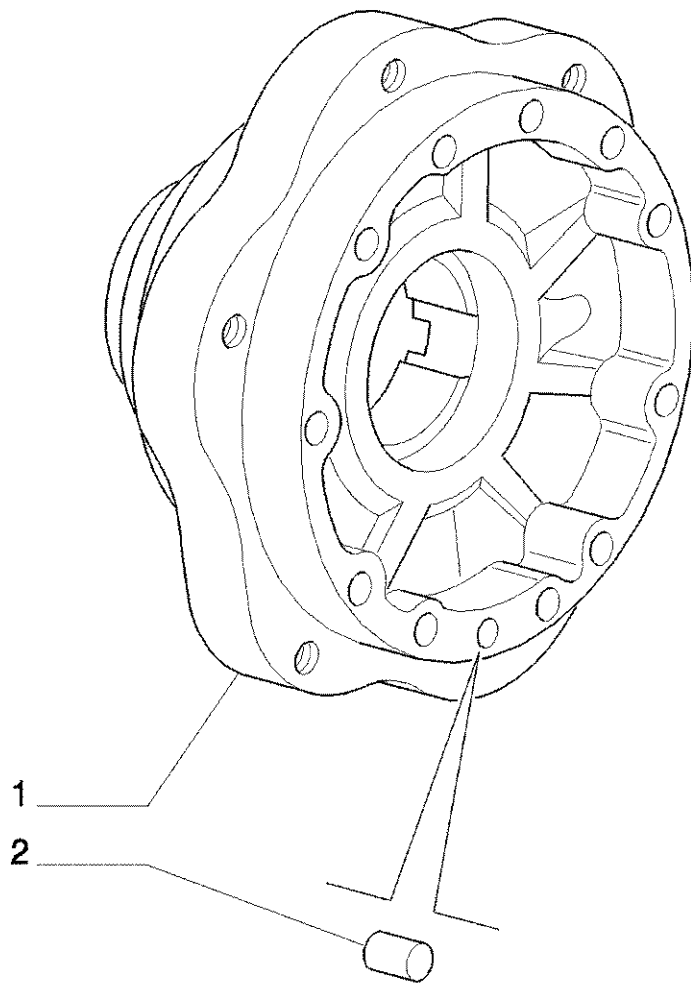
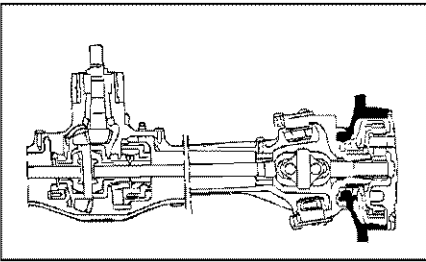
Ref	Onderdeelnummer	Kwt	Beschrijving
2	5181880	1	FLENS, REAR
3	14459480	3	O-RING, -136, 90 Duro, 1.987" ID x .103" Thk,
4	11069676	1	RING, SNAP, M56, Ext, D=56
5	5180749	1	AFSCHERMING, REAR
6	5180752	1	LAGERBUS, REAR
7	14459880	1	O-RING, -140, 90 Duro, 2.237" ID x .103" Thk, 2.62x56.82
8	11197874	2	WASHER, SPRING, Belleville, M8.4,
9	16043224	2	BOUT, Hex, M8 x 16, 8.8, Full Thd,
1	16044424	4	BOUT, Hex, M8 x 60, 8.8,



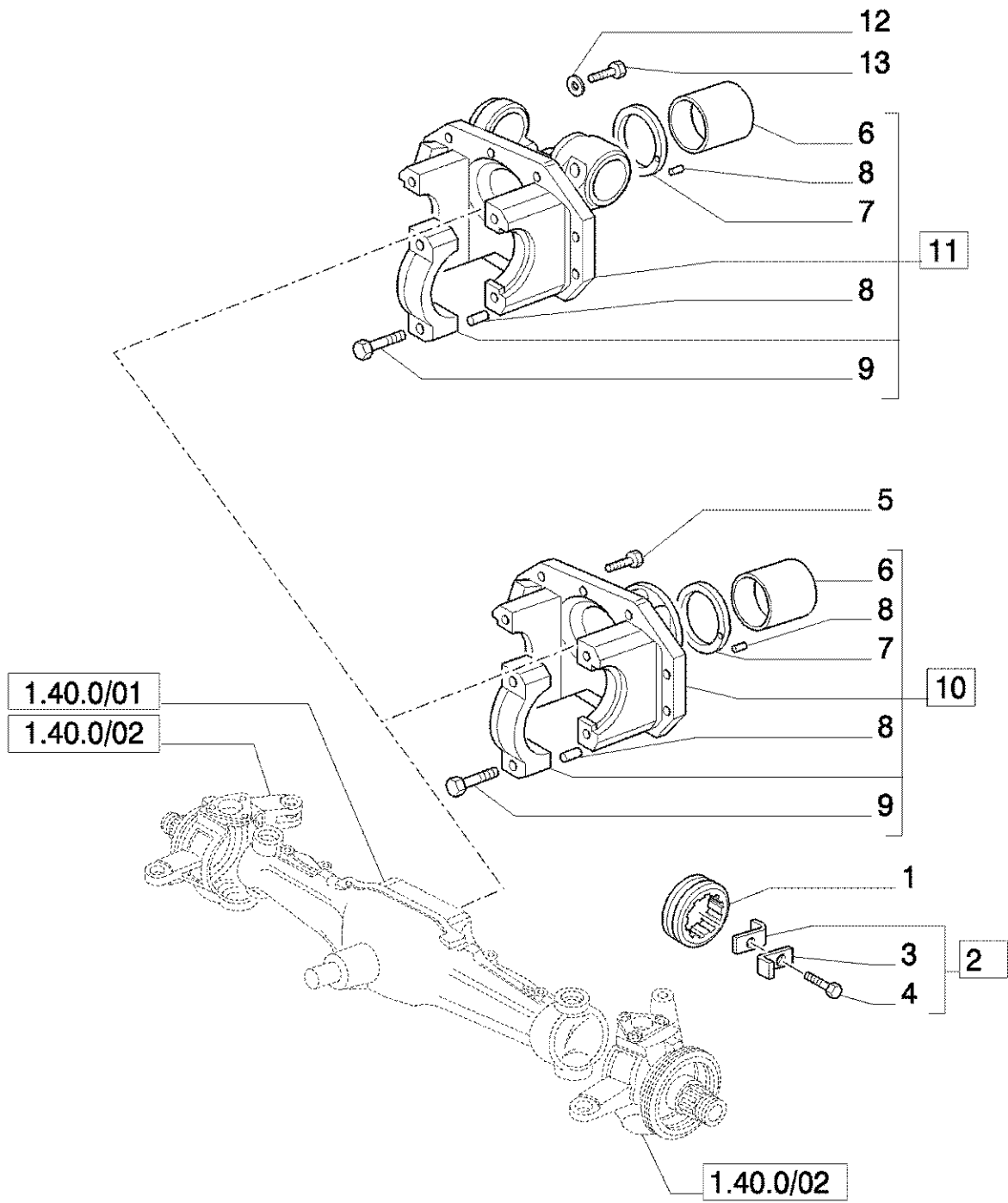
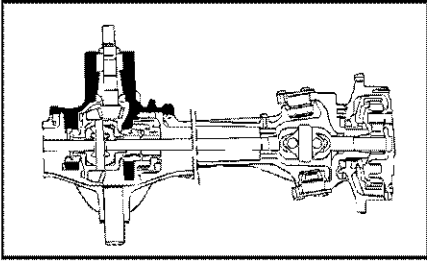
Ref	Onderdeelnummer	Kwt	Beschrijving
1	47131423	1	KAST,
2	5174376	2	STEL PEN,
3	14324411	1	PLUG,
4	14326211	1	PLUG, Magnetic
5	16101524	2	MOER, M12 x 1.25, CI 10,
6	87316865	2	SCHROEF, M12x1.25x53
7	4997348	2	LAGERBUS, , -C5243
7	87371275	2	LAGERBUS, , D5243-
8	14460680	2	O-RING, -148, 90 Duro, 2.737" ID x .103" Thk, , -C5243
8	14465680	2	O-RING, -238, 70 Duro, 3.484" ID x .139" Thk, , D5243-
9	4966244	1	STEL PEN, 5x15
10	47123533	1	PEN,



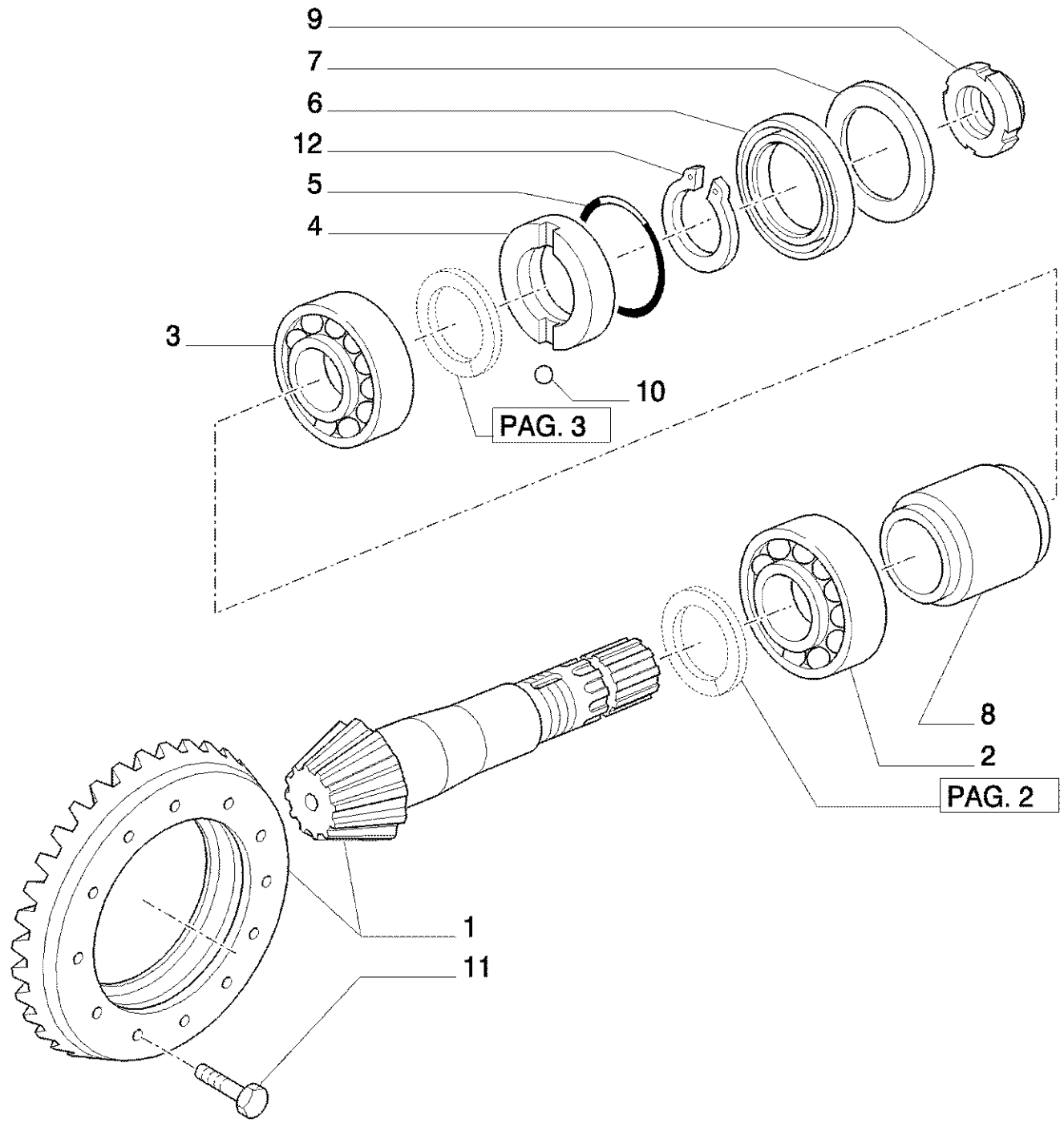
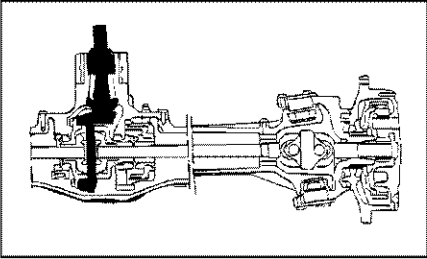
Ref	Onderdeelnummer	Kwt	Beschrijving
1	47125377	1	STUURGEWRICHT, RH
2	5105321	2	LAGERBUS, 45x50x30
3	47125375	1	STUURGEWRICHT, LH
4	5165271	3	KOGELPEN,
5	5100789	AR	DIKTEPLAAT, MM.0.10
5	5100790	AR	DIKTEPLAAT, MM.0.15
6	5120532	1	SMEERNIPPEL, M14 x 1.5,
7	14233634	9	BOUT, Hex, M10 x 30,
8	5167638	2	SCHROEF,
9	10717611	2	MOER, Thin, M18 x 2.5, CI 04,
10	5122548	4	DICHTINGSRING, 50x60x7
11	24903780	4	DRUKKNOP M SCHUIFROLLETJ, 30x55x17
12	5184122	2	DICHTINGSSTUK, 154x130x15
13	5164622	4	DRUKKNOP M SCHUIFROLLETJ, 70x110x21
14	5166183	2	AFSTANDSRING, 70x80x12.18
15	5165277	1	PAKKINGMOER, RH Thread, M70x2
15	5169116	1	PAKKINGMOER, LH Thread, M70x2
16	47125373	2	KOPPELINGSSTANG,
17	12577011	2	NUT, LOCK, M20 x 1.5, CI 8,



Ref	Onderdeelnummer	Kwt	Beschrijving
1	5169118	2	NAAF,
2	4988170	4	STEL PEN, 10x20



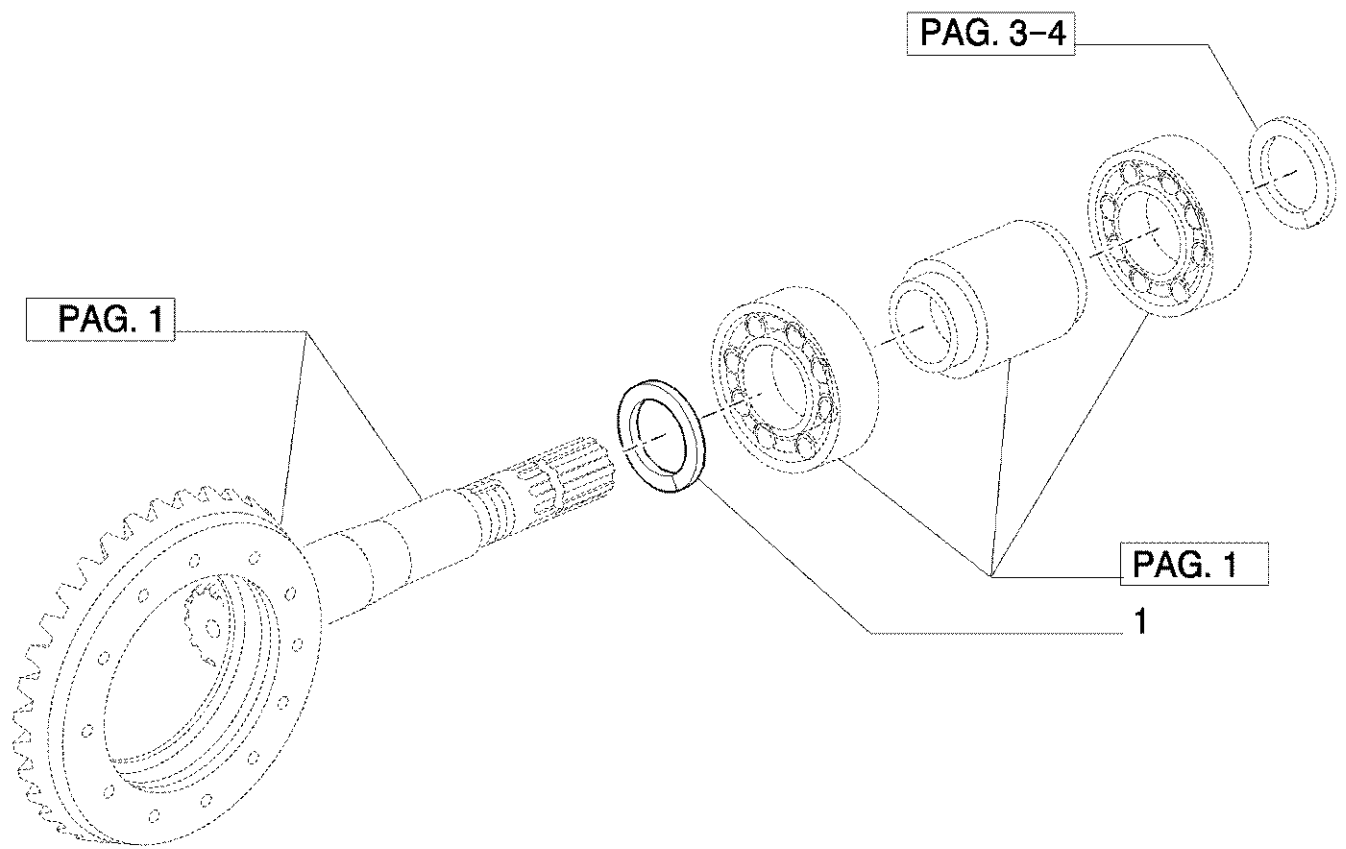
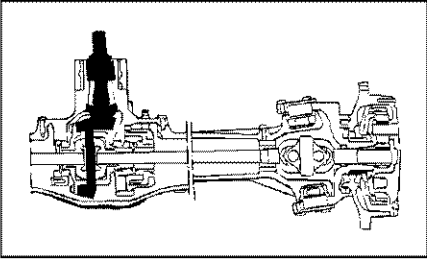
Ref	Onderdeelnummer	Kwt	Beschrijving
1	4966240	1	PAKKINGMOER, ASSY
2	4966243	2	KLEMPLAAT,
3	562659	2	PLAAT,
4	15970524	2	BOUT, Hex, M10 x 1.25 x 20, 8.8, Full Thd,
5	14274631	5	BOUT, Hex, M12 x 1.25 x 35, , BSN HJH055056
5	14274534	3	BOUT, Hex, M12 x 1.25 x 30, , BSN HJH055056
5	14274834	1	BOUT, Hex, M12 x 1.25 x 45, , BSN HJH055056
5	14275821	1	SCHROEF, M10x20, BSN HJH055056
6	5136120	1	LAGERBUS,
7	5136119	1	RING,
8	4966244	3	STEL PEN,
9	14275331	4	BOUT, Hex, M12 x 1.25 x 70,
10	5198484	1	STEUN, ASSY, BSN HJH055056
11	87335203	1	STEUN, , ASN HJH055057
12	11198674	9	WASHER, SPRING, Belleville, M13, , ASN HJH055057
13	87332797	3	SCHROEF, M12x1.5x35, ASN HJH055057
13	87332798	1	SCHROEF, M12x1.5x120, ASN HJH055057
13	87323720	6	SCHROEF, M12x1.5x45, ASN HJH055057



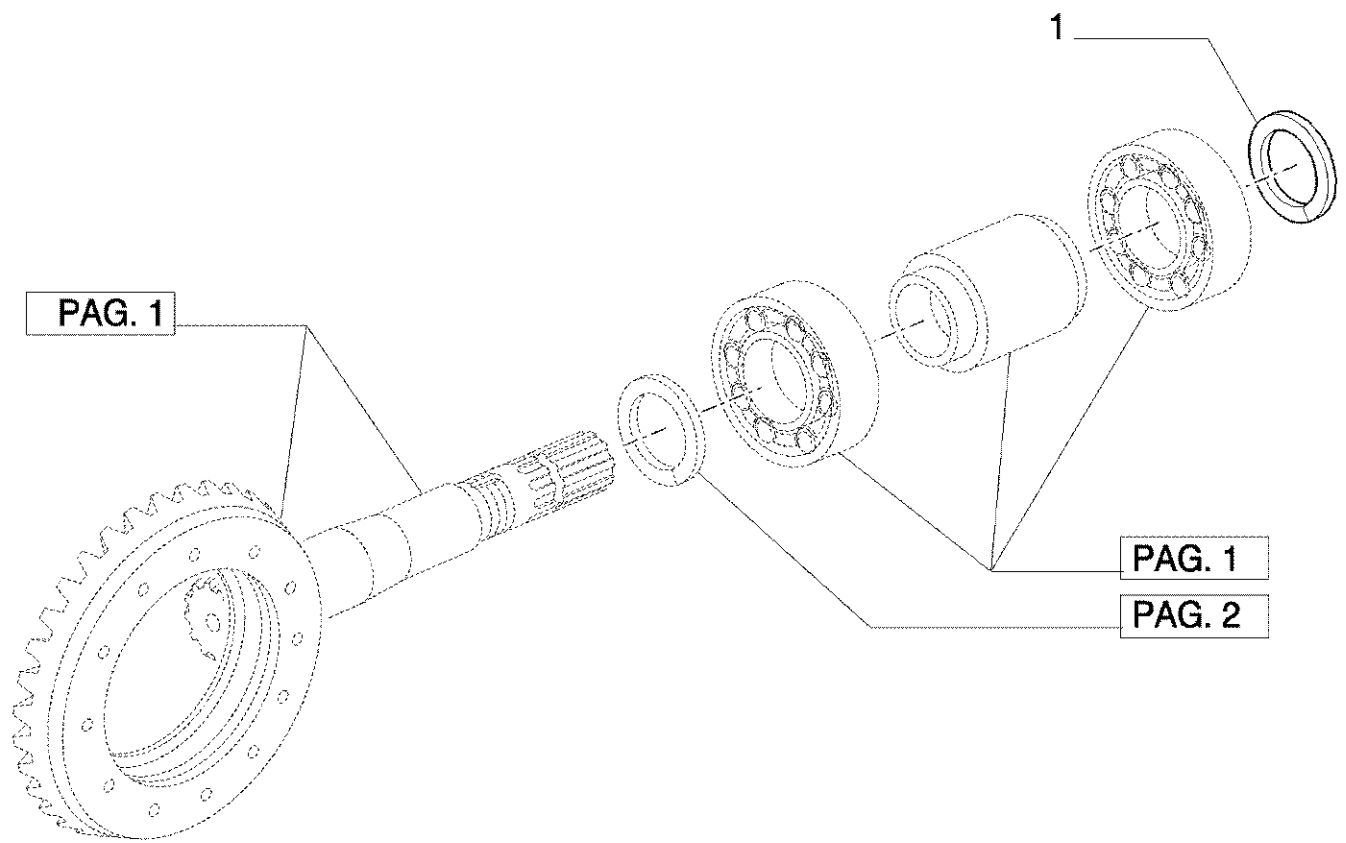
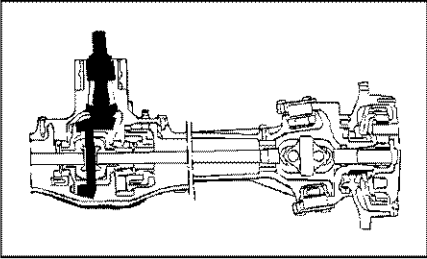
360 KOMPAKT TRACTOR (4/03-) - Vooras en Stuurinrichting

1.40.0/06(01) DRAAIBARE VOORAS - KONISCHE KOPPELINGEN - 4WD

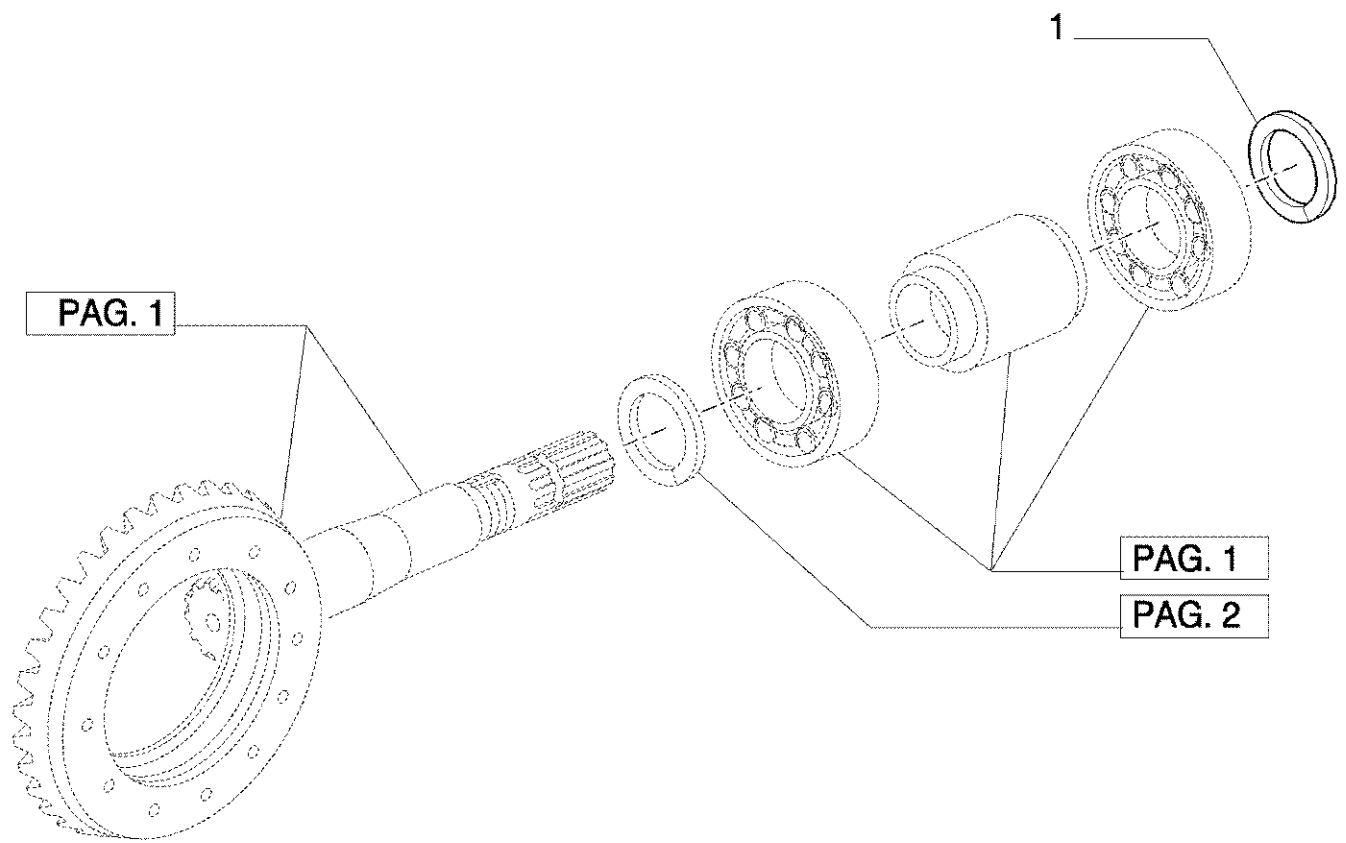
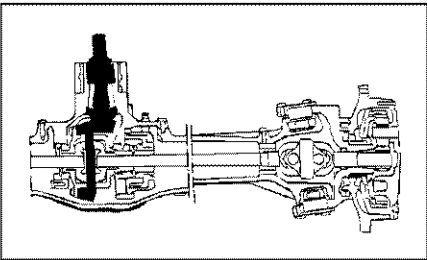
Ref	Onderdeelnummer	Kwt	Beschrijving
1	5175101	1	KONISCHE KOPPELINGEN, RATIO 8/30
1	5173886	1	KONISCHE KOPPELINGEN, RATIO 10/30, 370,375, VAR. 404-405-843
2	5143109	1	DRUKKNOP M SCHUIFROLLETJ,
3	26799950	1	STEL RINGEN +0.8, 35 x 72 x 18.25
4	5142026	1	RING,
5	14454380	1	O-RING, -026, 70 Duro, 1.239" ID x .070" Thk, (M31.47 ID x 1.78 Thk)
6	5135294	1	DICHTINGSRING, 45x75x10/12
7	4997451	1	DICHTINGSBESCHERMING,
8	5169235	1	AFSTANDSRING,
9	5143242	1	PAKKINGMOER, M35x19.5
10	20419320	1	KOGEL, D=6.35
11	14274434	6	BOUT, Hex, M12 x 1.25 x 25,
12	11067776	1	RING, SNAP, M29, Ext,



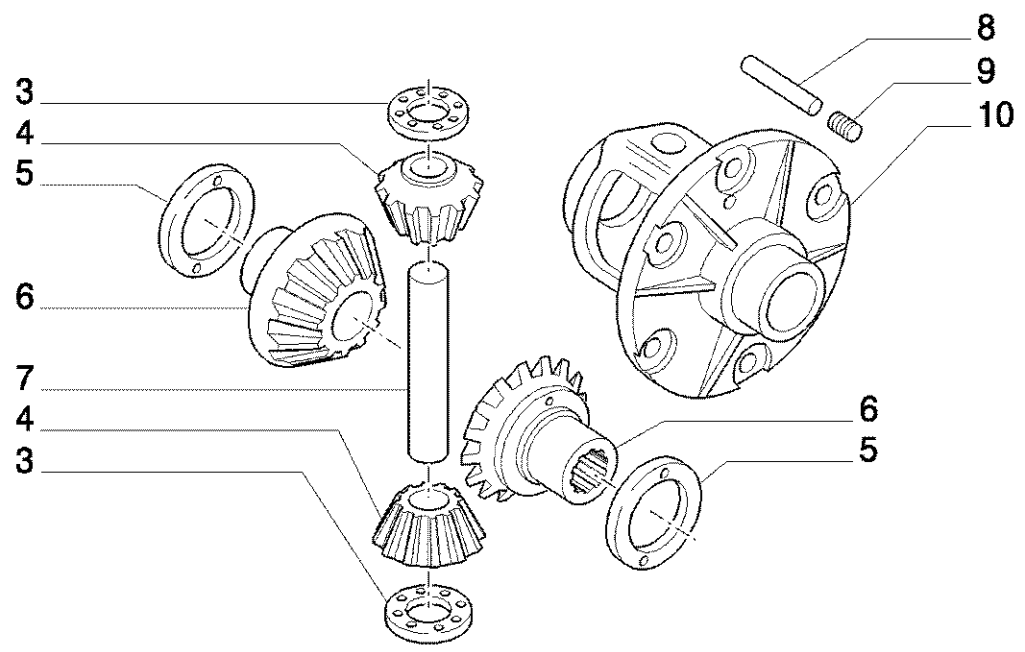
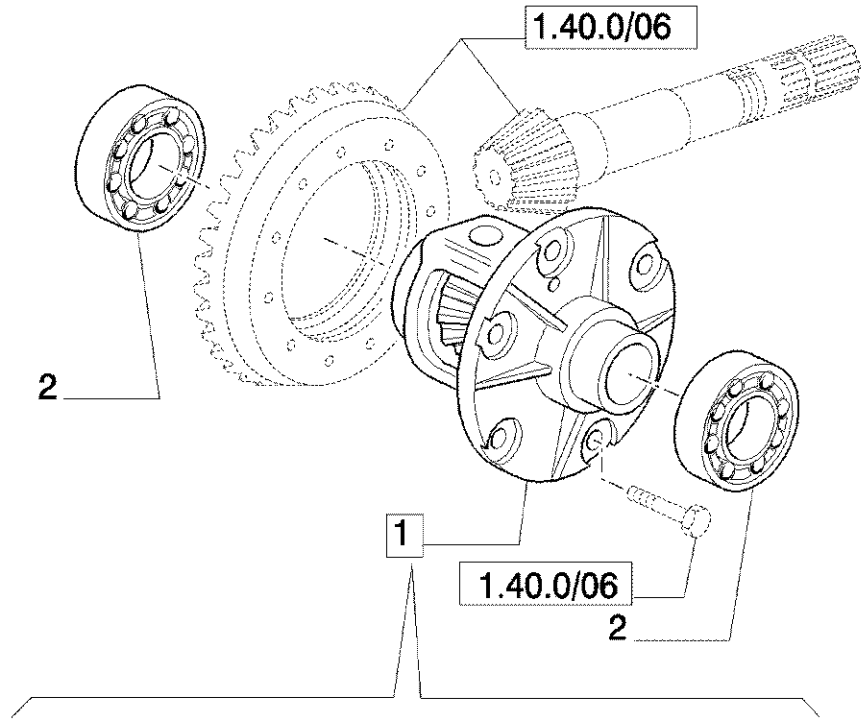
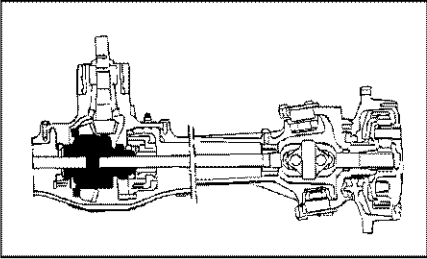
Ref	Onderdeelnummer	Kwt	Beschrijving
1	5142027	AR	DIKTEPLAAT, 2.5 mm Thk
1	5142028	AR	DIKTEPLAAT, 2.6 mm Thk
1	5142029	AR	DIKTEPLAAT, 2.7 mm Thk
1	5142030	AR	DIKTEPLAAT, 2.8 mm Thk
1	5142031	AR	DIKTEPLAAT, 2.9 mm Thk
1	5142032	AR	DIKTEPLAAT, 3 mm Thk
1	5142033	AR	DIKTEPLAAT, 3.1 mm Thk
1	5142034	AR	DIKTEPLAAT, 3.2 mm Thk
1	5142037	AR	DIKTEPLAAT, 3.5 mm Thk
1	5142038	AR	DIKTEPLAAT, 3.6 mm Thk
1	5142039	AR	DIKTEPLAAT, 3.7 mm Thk
1	5142035	AR	DIKTEPLAAT, 3.3 mm Thk
1	5142036	AR	DIKTEPLAAT, 3.4 mm Thk



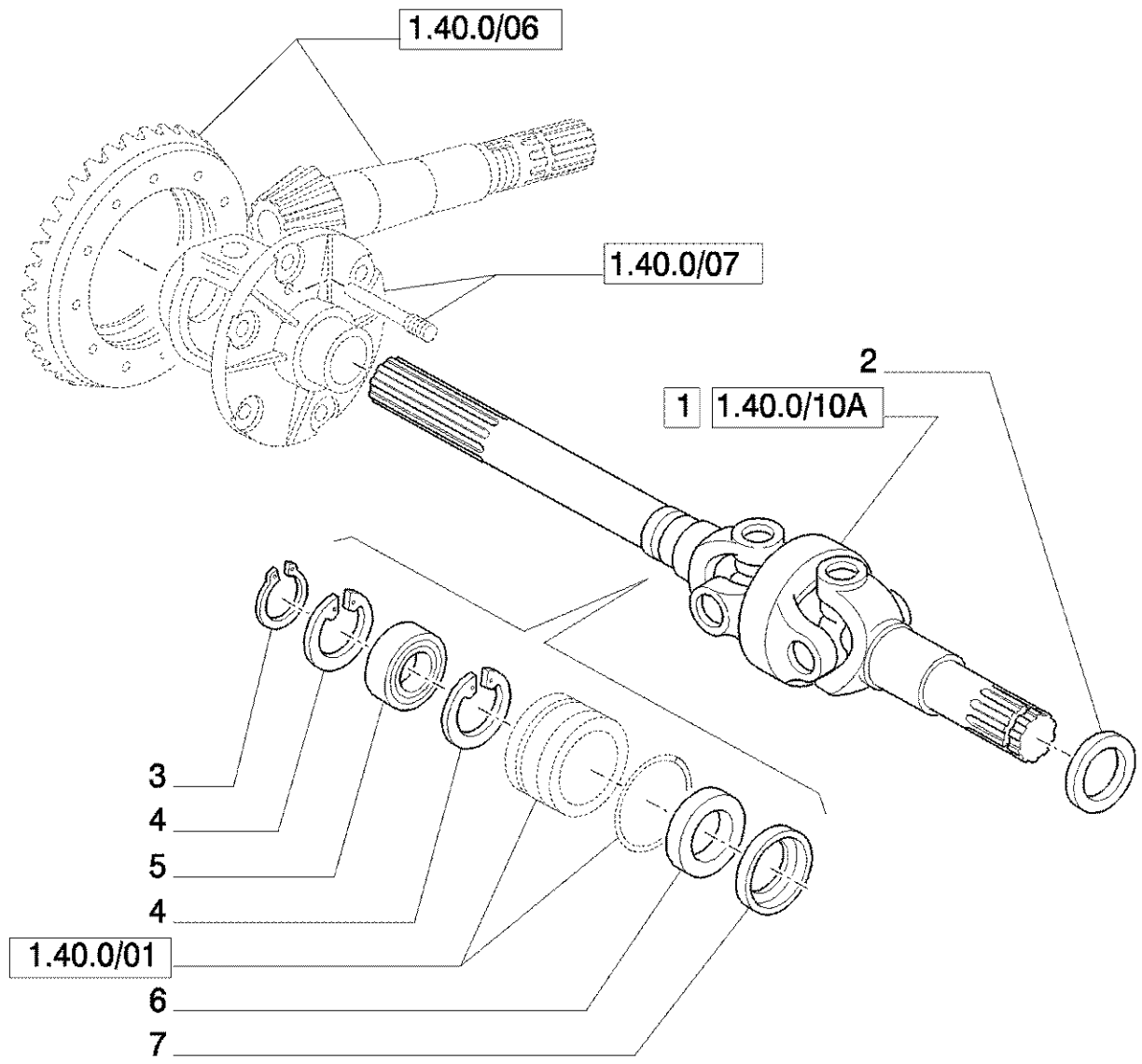
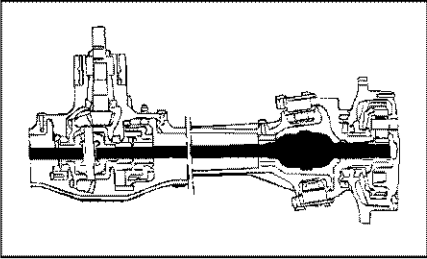
Ref	Onderdeelnummer	Kwt	Beschrijving
1	4997456	AR	DIKTEPLAAT, MM.3.50
1	4997457	AR	DIKTEPLAAT, MM.3.60
1	4997458	AR	DIKTEPLAAT, MM.3.70
1	5129151	AR	DIKTEPLAAT, MM.3.55
1	5129152	AR	DIKTEPLAAT, MM.3.65
1	5169313	AR	DIKTEPLAAT, MM.3.75
1	5169314	AR	DIKTEPLAAT, MM.3.80
1	5169315	AR	DIKTEPLAAT, MM.3.85
1	5169316	AR	DIKTEPLAAT, MM.3.90
1	5169317	AR	DIKTEPLAAT, MM.3.95
1	5169318	AR	DIKTEPLAAT, MM.4.00
1	5169319	AR	DIKTEPLAAT, MM.4.05
1	5169320	AR	DIKTEPLAAT, MM.4.10



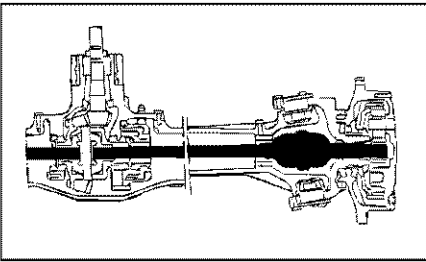
Ref	Onderdeelnummer	Kwt	Beschrijving
1	5169321	AR	DIKTEPLAAT, MM.4.15
1	5169322	AR	DIKTEPLAAT, MM.4.20
1	5169323	AR	DIKTEPLAAT, MM.4.25
1	5169324	AR	DIKTEPLAAT, MM.4.30
1	5169325	AR	DIKTEPLAAT, MM.4.35
1	5169326	AR	DIKTEPLAAT, MM.4.40
1	5169327	AR	DIKTEPLAAT, MM.4.45
1	5169328	AR	DIKTEPLAAT, MM.4.50
1	5169329	AR	DIKTEPLAAT, MM.4.55
1	5169330	AR	DIKTEPLAAT, MM.4.60
1	5169331	AR	DIKTEPLAAT, MM.4.65
1	5169332	AR	DIKTEPLAAT, MM.4.70
1	5169333	AR	DIKTEPLAAT, MM.4.75
1	5169334	AR	DIKTEPLAAT, MM.4.80



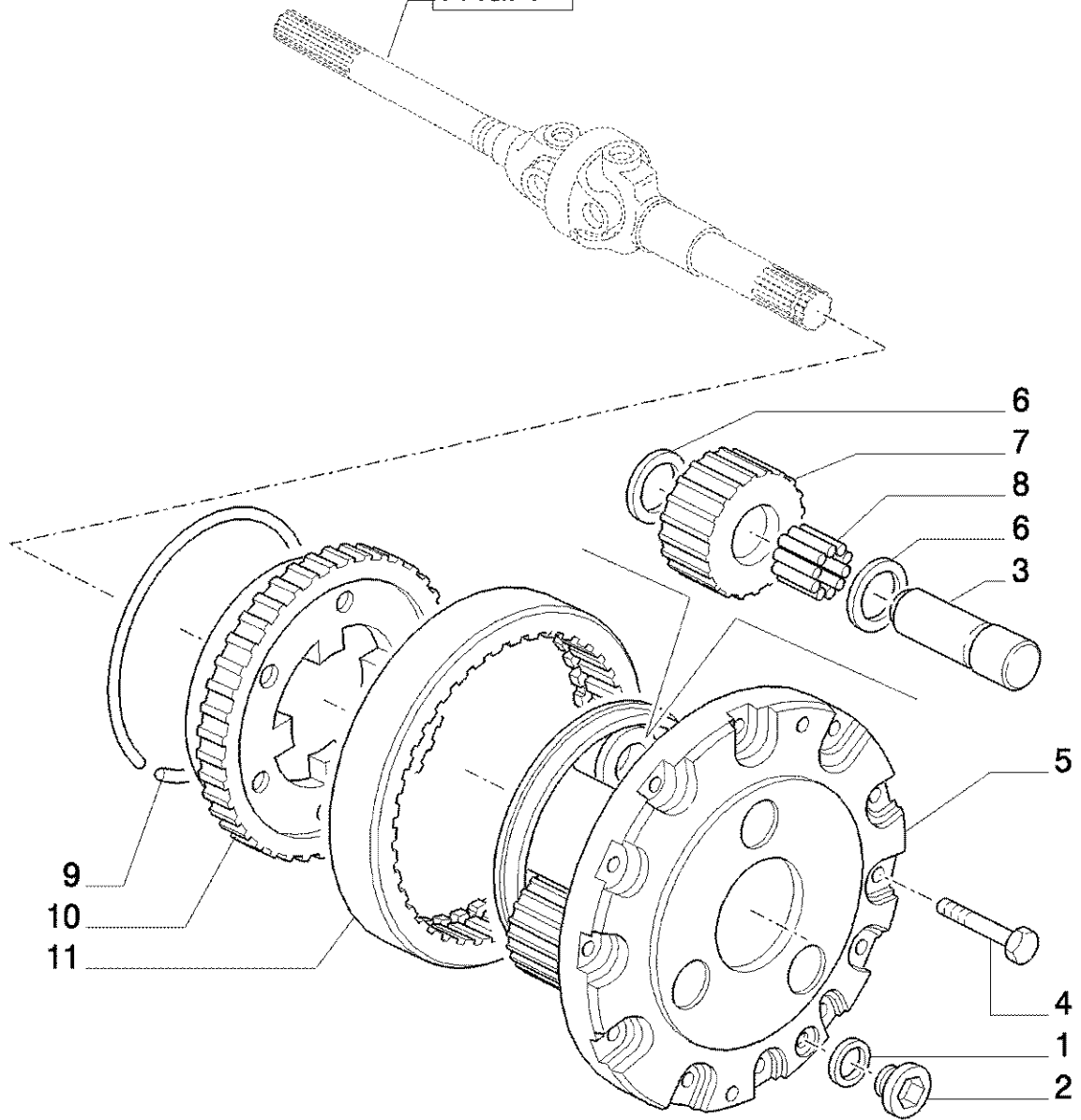
Ref	Onderdeelnummer	Kwt	Beschrijving
1	5167698	1	HUIS, ASSY
2	26799980	2	DRUKKNOP M SCHUIFROLLETJ, 50x90
3	5104408	2	SLUITRING DRUKPLAAT,
4	4987111	2	NULLASTTANDWIEL,
5	5167655	AR	DIKTEPLAAT, MM.1.5
5	5167694	AR	DIKTEPLAAT, MM.1.6
5	5167702	AR	DIKTEPLAAT, MM.1.7
5	5167703	AR	DIKTEPLAAT, MM.1.8
6	5167717	2	PLANEETWIEL,
7	5103612	1	PEN,
8	5173242	1	SPANSTIFT,
9	13807870	1	KRACHTBRON, Hex Soc, M8 x 14, Flat Pt,
10	5174801	1	HUIS,



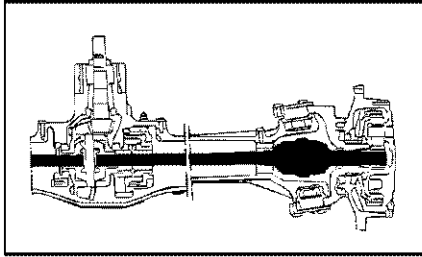
Ref	Onderdeelnummer	Kwt	Beschrijving
1	5186653	1	SCHNARNIERRENDE DRAAGAS, LH, 784mm L
1	5186652	1	SCHNARNIERRENDE DRAAGAS, RH, 838mm L
2	5184124	2	DICHTINGSRING, 47x65x16.5
3	80370003	2	BORGVEER, D=30
4	11060676	4	BORGVEER, M55, Int,
5	28042460	2	LAGER, KOGEL, 30x55x13
6	5116701	2	DICHTINGSRING, 35x55
7	4997436	2	HOUDER,



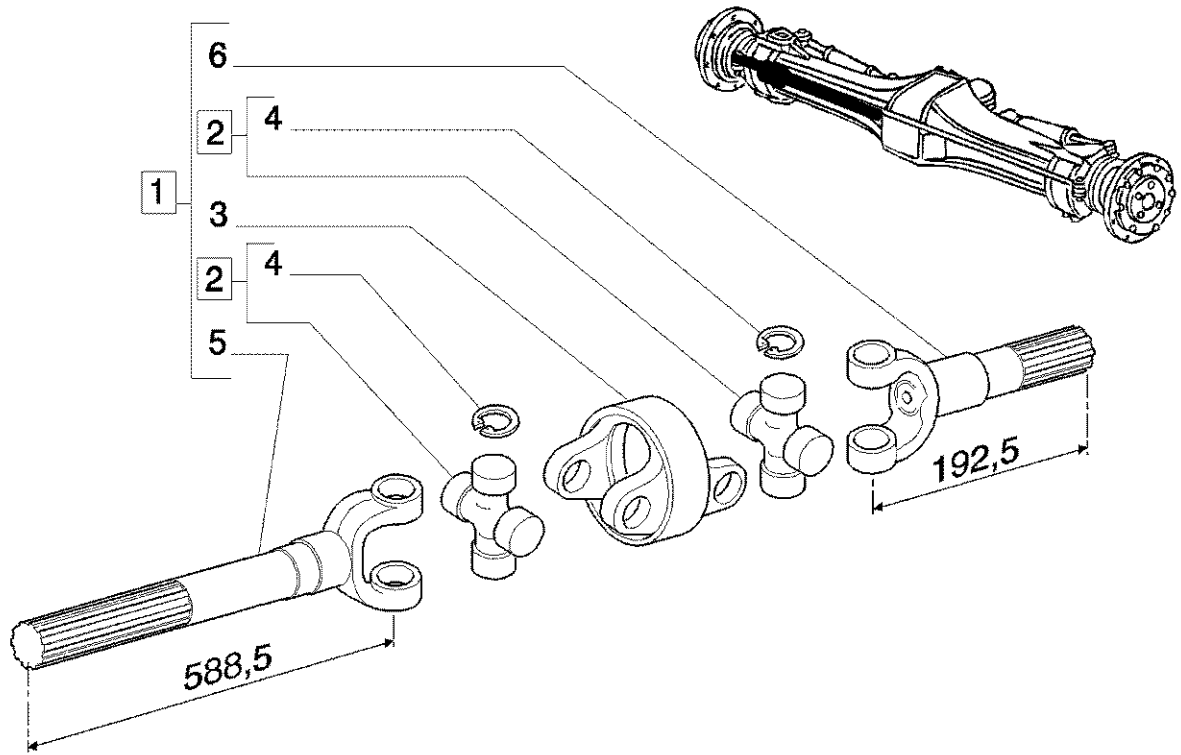
PAG. 1



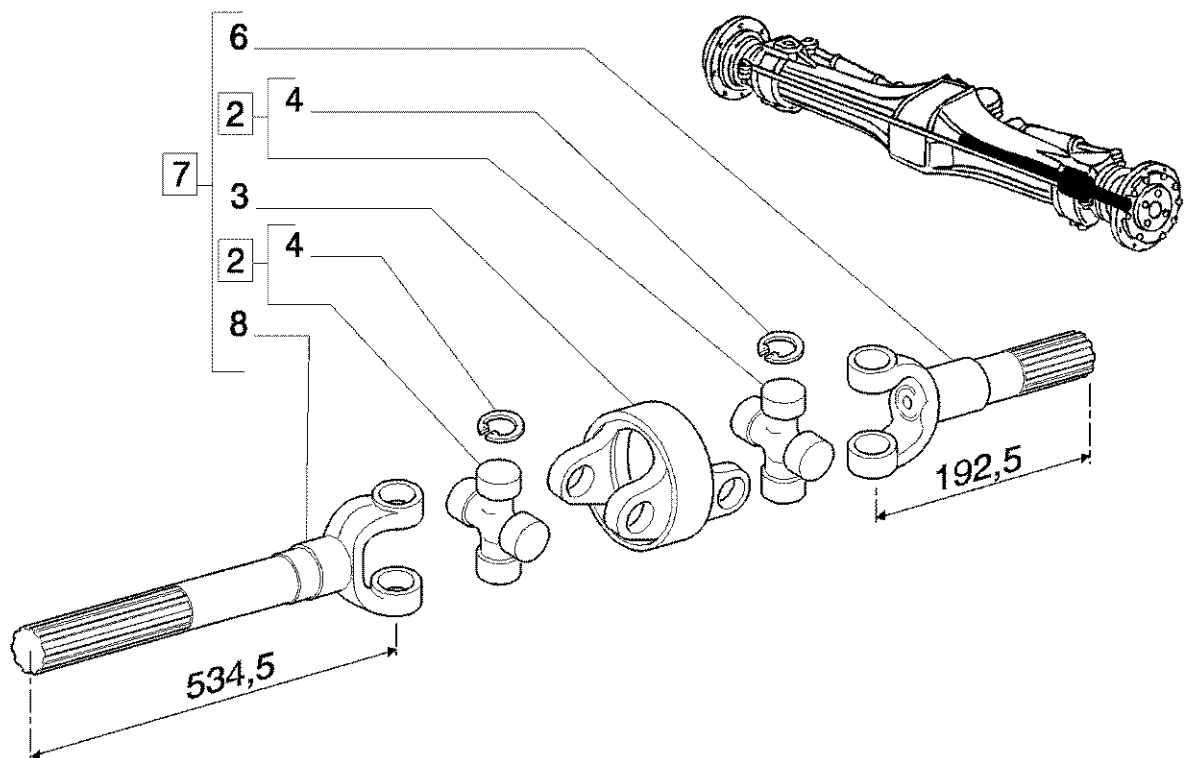
Ref	Onderdeelnummer	Kwt	Beschrijving
1	10263460	2	DICHTRING, M22.3 x 28 x 1.5,
2	10275011	2	PLUG, M22 x 1.5 x 13,
3	5181050	6	PEN,
4	14233634	20	BOUT, Hex, M10 x 30,
5	5181049	2	STEUN, ASSY
6	4997510	12	SLUITRING DRUKPLAAT, MM.0.8
7	5169137	3	TANDWIEL,
8	5101693	6	STEL RINGEN +0.8,
9	5165162	2	SLUITRING,
10	5173284	2	STEUN,
11	5165273	2	KROONWIEL,



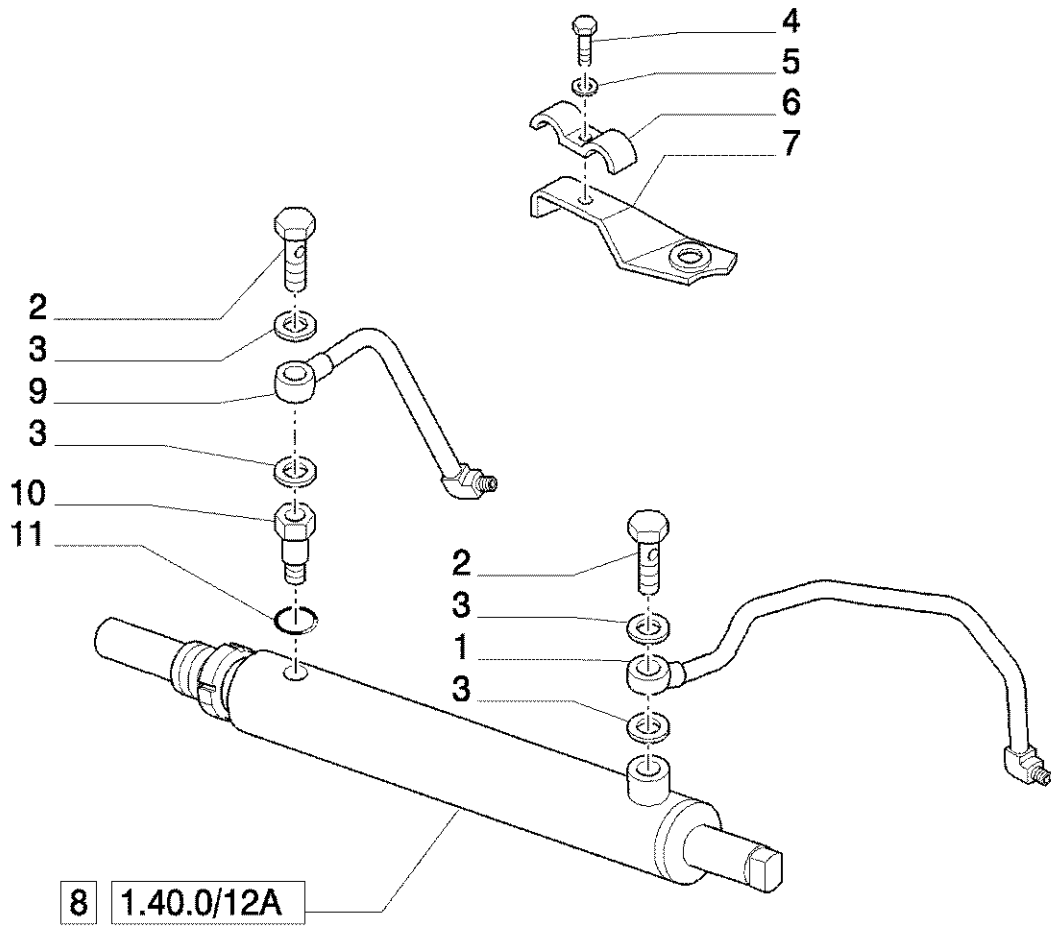
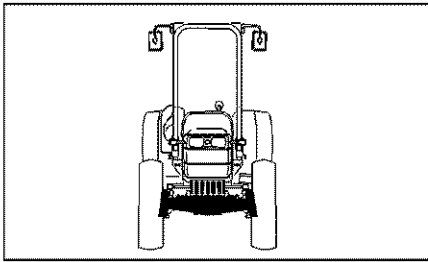
FOR RIGHT WHEEL



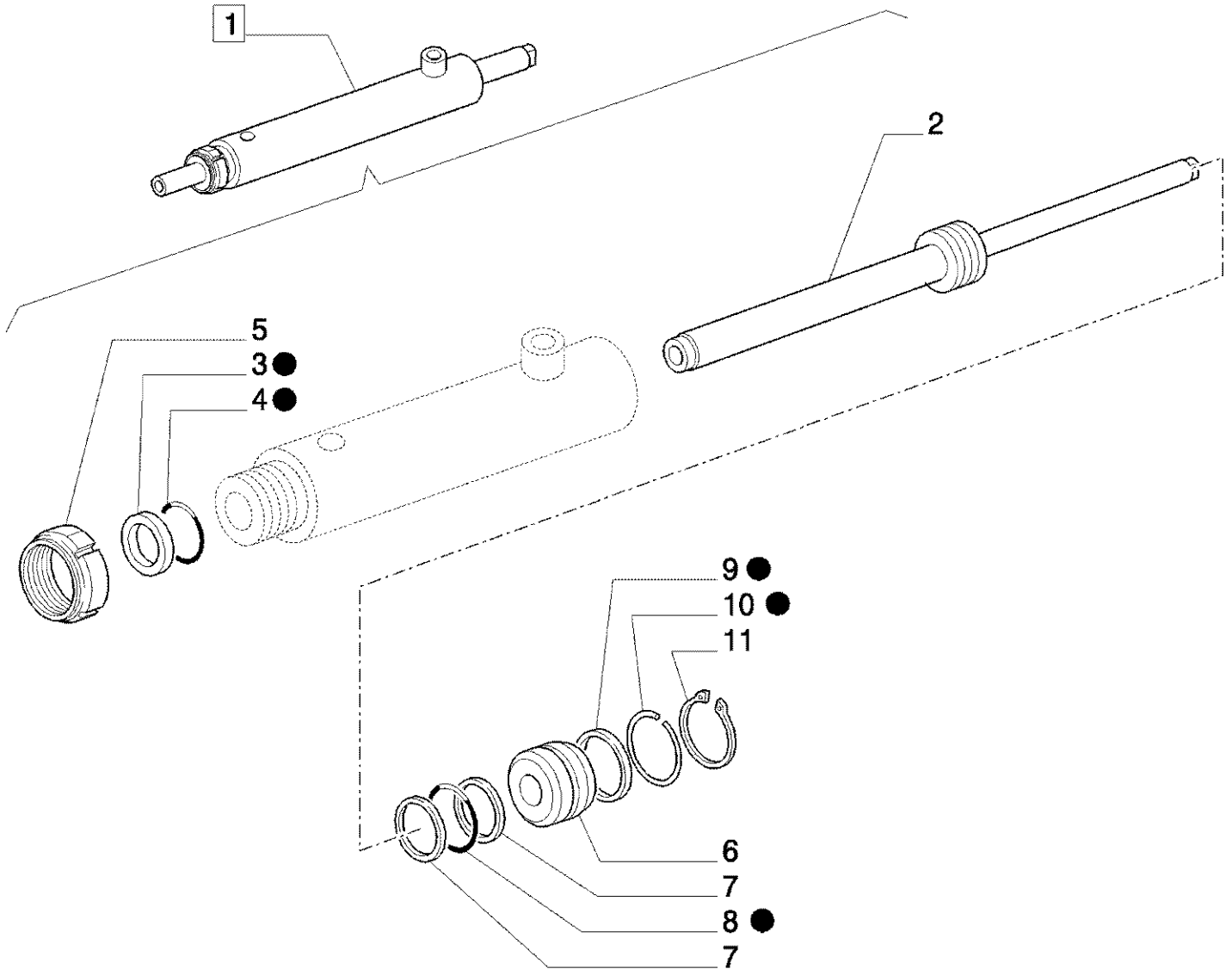
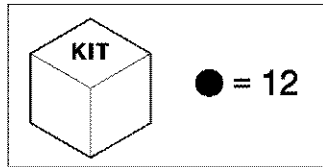
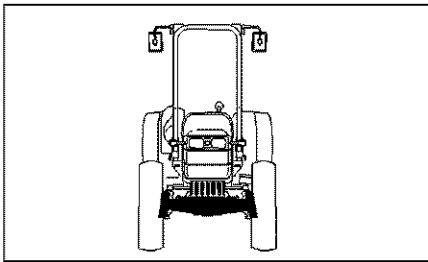
FOR LEFT WHEEL



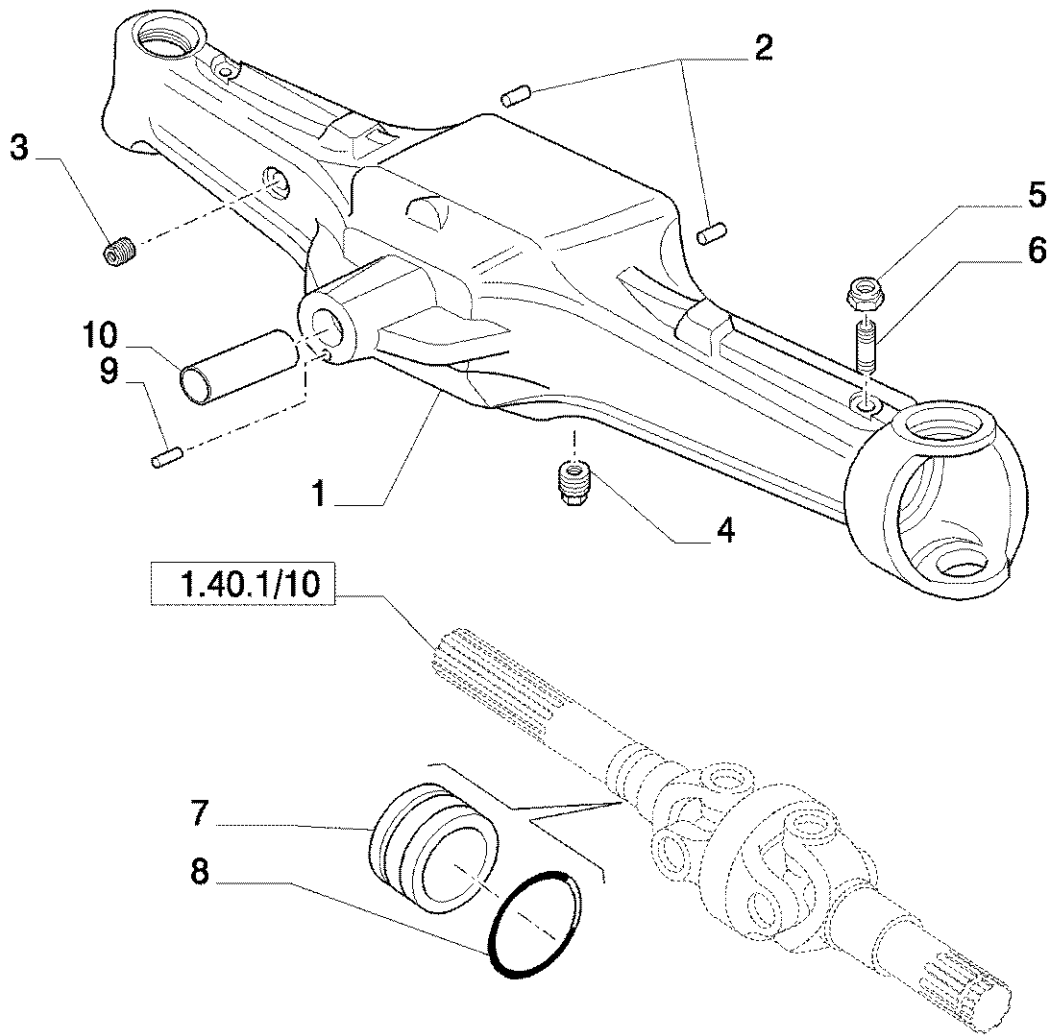
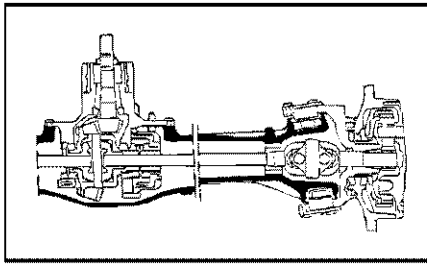
Ref	Onderdeelnummer	Kwt	Beschrijving
1	5186652	1	SCHNARNIERRENDE DRAAGAS, RH
2	5191024	2	DWARSTUK,
3	5191027	1	VORK,
4	80278643	8	BORGVEER,
5	5186653	1	SCHNARNIERRENDE DRAAGAS, LH
6	5191412	1	AS,
7	5191421	1	VORK,
8	5191420	1	VORK,



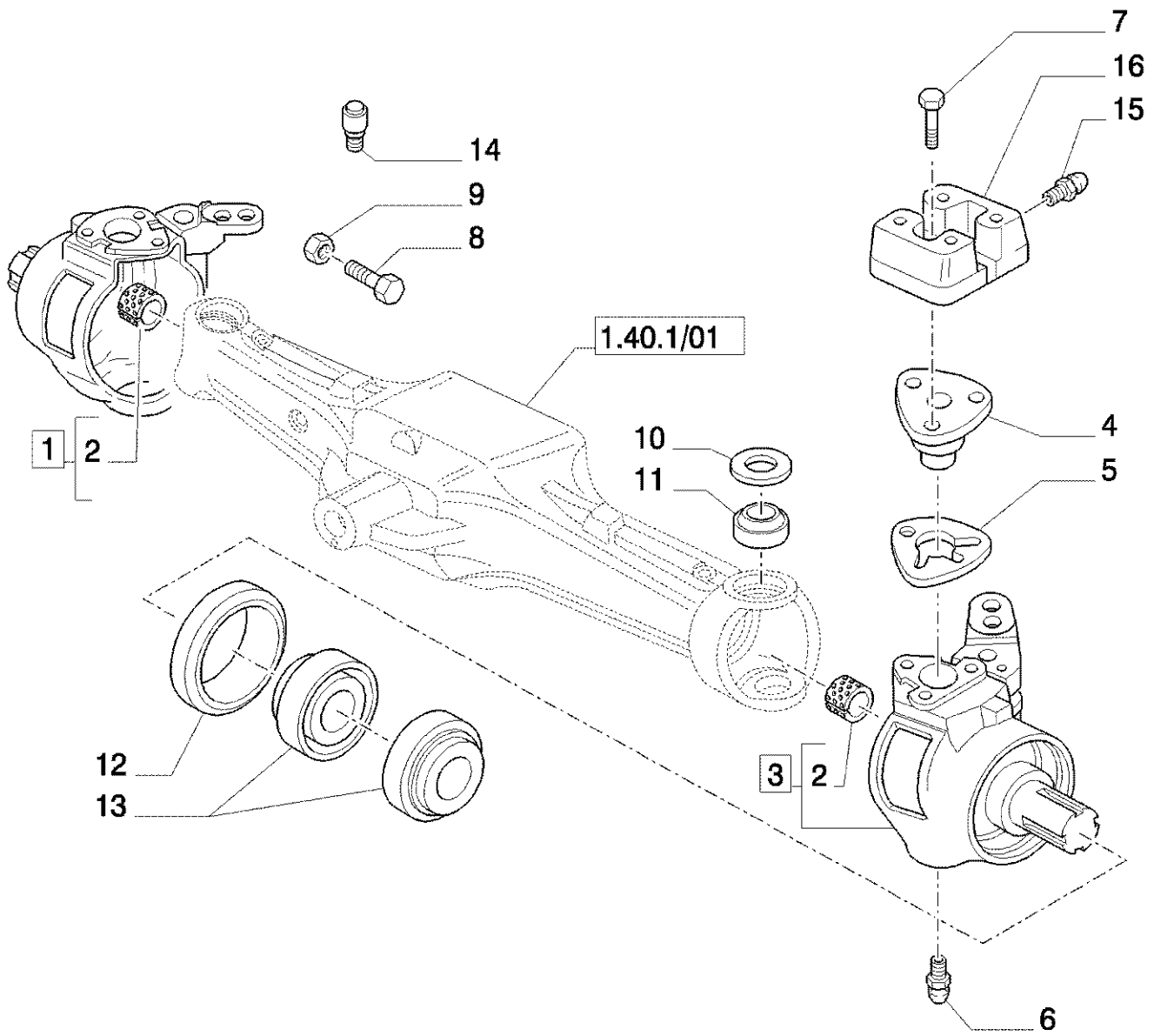
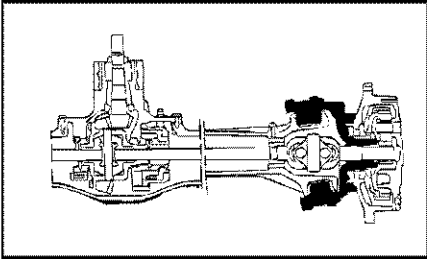
Ref	Onderdeelnummer	Kwt	Beschrijving
1	47131857	1	VASTE BUIS,
2	4864083	1	VERBINDINGSBOUT,
3	44906168	2	DICHTINGSRING, 14.86x22.23
5	11197774	1	WASHER, SPRING, Belleville, M6.4,
6	4999554	1	KLEM,
7	47131784	1	STEUNBEUGEL,
7	47131794	1	STEUNBEUGEL, 370,375, VAR.405-843
8	5198486	1	SERVOSTUURCYLINDER, , BSN HJE024693
8	47136495	1	SERVOSTUURCYLINDER, , ASN HJE024694
9	47124110	1	VASTE BUIS,
10	47124202	1	VERBINDING,
11	14437785	1	O-RING, 11.3MM ID x 2.4 Thk,
4	10902224	1	BOUT, Hex, M6 x 16, 8.8, Full Thd,



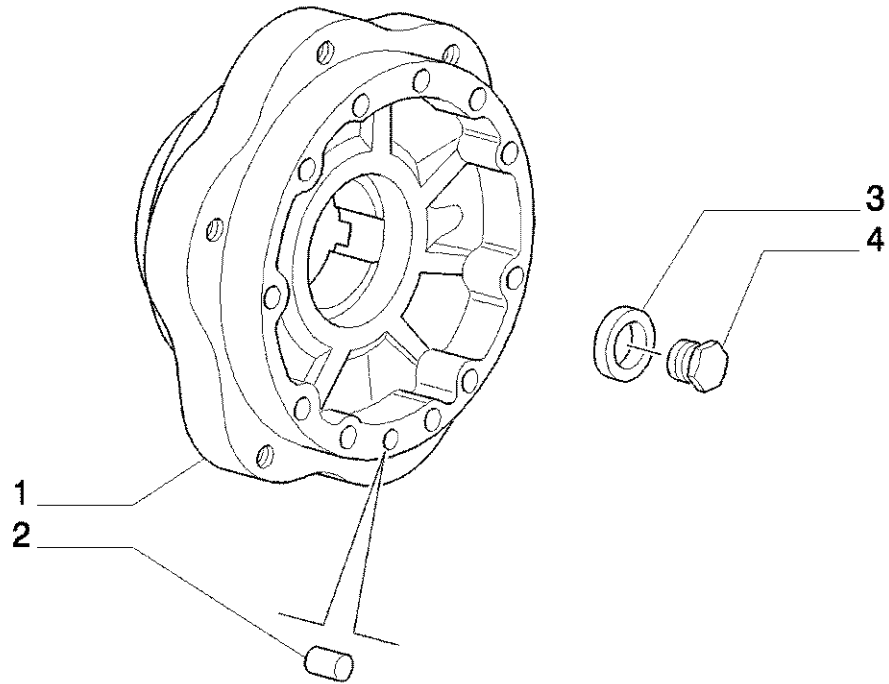
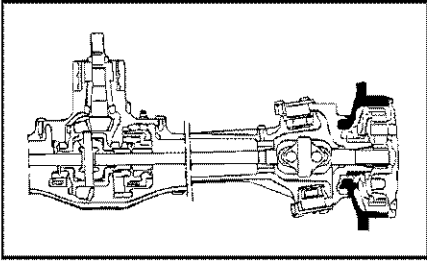
Ref	Onderdeelnummer	Kwt	Beschrijving
1	5198486	1	SERVOSTUURCYLINDER, ASSY, BSN HJE024693
1	47136495	1	SERVOSTUURCYLINDER, ASSY, ASN HJE024694
2	47124922	1	STANG,
3	47124928	2	SCHRAPER, GEREEDSCHAP,
4	47124929	2	DICHTINGSSTUK,
5	47124930	1	PAKKINGMOER, , BSN HJE024693
5	47136501	1	PAKKINGMOER, , ASN HJE024694
6	47124936	1	CYLINDERKOP,
7	5192852	2	KIT, , BSN HJE024693
7	5192850	2	RING, , ASN HJE024694
8	47124932	1	DICHTINGSSTUK,
9	47124933	1	SLUITRING,
10	47124934	1	SLUITRING,
11	47124935	1	SLUITRING,
12	47124937	1	KIT, FIP,



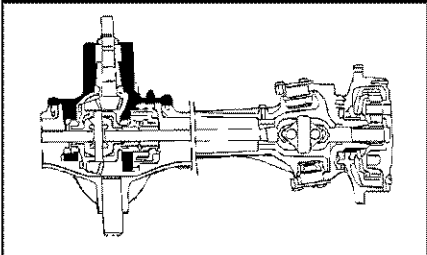
Ref	Onderdeelnummer	Kwt	Beschrijving
1	47131423	1	KAST,
2	5174376	2	STEL PEN,
3	14324411	1	PLUG,
4	14326211	1	PLUG, Magnetic
5	16101524	2	MOER, M12 x 1.25, CI 10,
6	87309002	2	KRACHTBRON, M12x1.25x65
7	4997348	2	LAGERBUS, , -C5243
7	87371275	2	LAGERBUS, , D5243-
8	14460680	2	O-RING, -148, 90 Duro, 2.737" ID x .103" Thk, , -C5243
8	14465680	2	O-RING, -238, 70 Duro, 3.484" ID x .139" Thk, , D5243-
9	4966244	1	STEL PEN, 5x15
10	47123533	1	PEN,



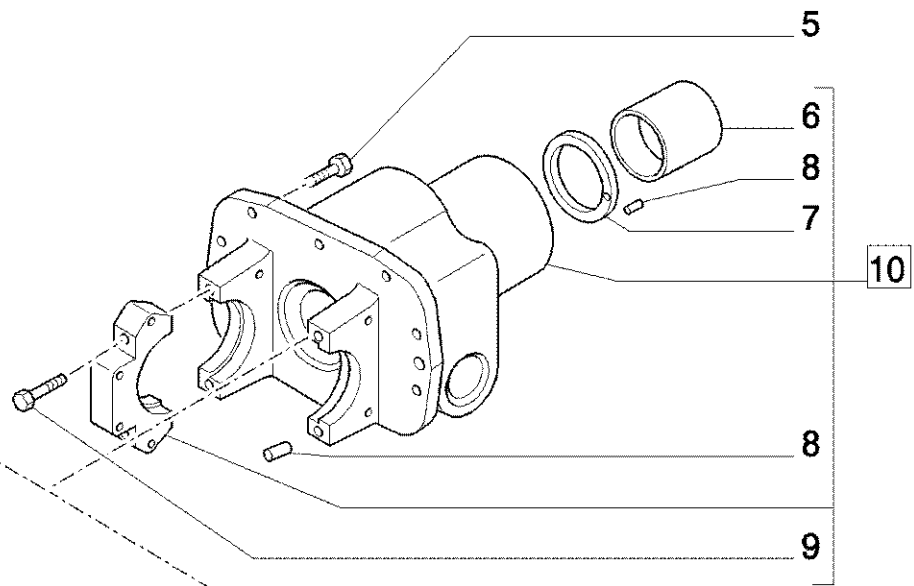
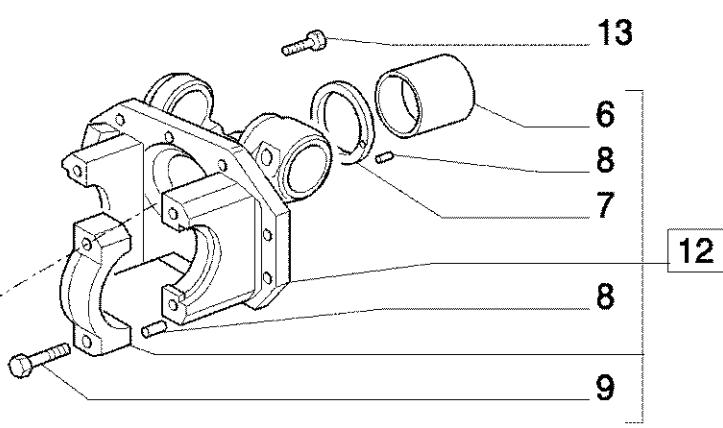
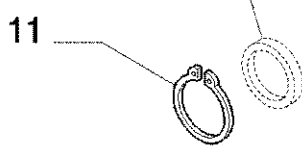
Ref	Onderdeelnummer	Kwt	Beschrijving
1	47125383	1	STUURGEWRIGHT, RH
2	5105321	2	LAGERBUS, 45x50x30
3	47125380	1	STUURGEWRIGHT, LH
4	5165271	4	KOGELPEN,
5	5100789	AR	DIKTEPLAAT, MM.0.10
5	5100790	AR	DIKTEPLAAT, MM.0.15
5	5100791	AR	DIKTEPLAAT, MM.0.20
5	5100792	AR	DIKTEPLAAT, MM.0.25
5	5100793	AR	DIKTEPLAAT, MM.0.30
6	5120532	2	SMEERNIPPEL, M14 x 1.5,
7	14233634	6	BOUW, Hex, M10 x 30,
7	14233934	4	BOUW, Hex, M10 x 1.25 x 45,
7	14233734	2	BOUW, Hex, M10 x 1.25 x 35, M10x35
8	5167638	2	SCHROEF,
8	5173991	2	SCHROEF,
9	10717611	2	MOER, Thin, M18 x 2.5, CI 04,
10	5122548	4	DICHTINGSRING, 50x60x7
11	24903780	4	DRUKKNOP M SCHUIFROLLETJ, ASSY 30x55x17
12	5177708	2	DICHTINGSSTUK, 165 x 190 x 15,5-17
13	5136951	4	DRUKKNOP M SCHUIFROLLETJ, ASSY 70x110x21
14	13413290	2	ONTLUCHTER,
15	13407211	2	SMEERNIPPEL, M10 x 1,
16	5182368	1	PLAAT, LH
16	5189839	1	PLAAT, RH



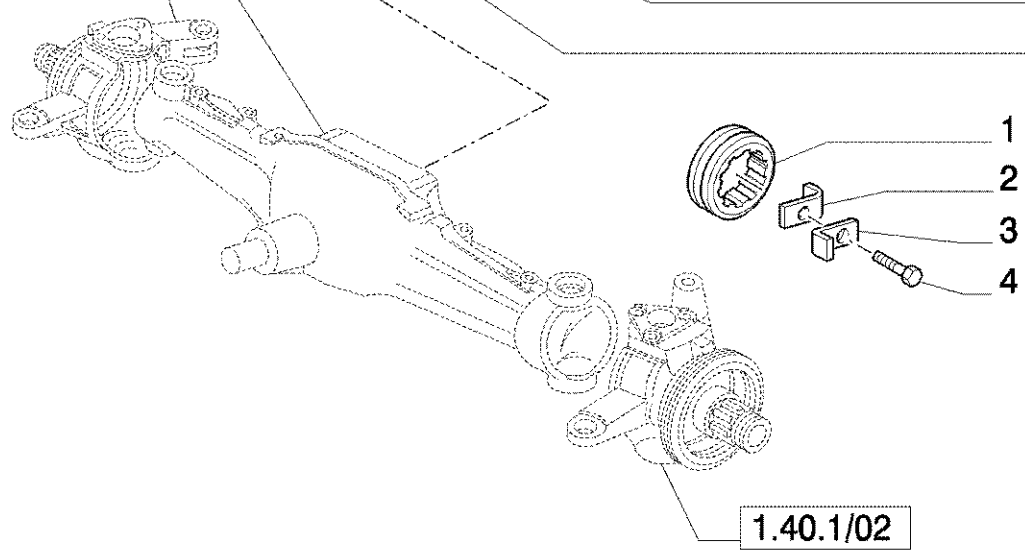
Ref	Onderdeelnummer	Kwt	Beschrijving
1	5178631	2	NAAF,
2	4988170	4	STEL PEN, 10x20
3	10282260	2	DICHTRING, M28.4 x 36 x 1.5, Copper,
4	10278301	2	PLUG, M28 x 1.5 x 11, Brass,



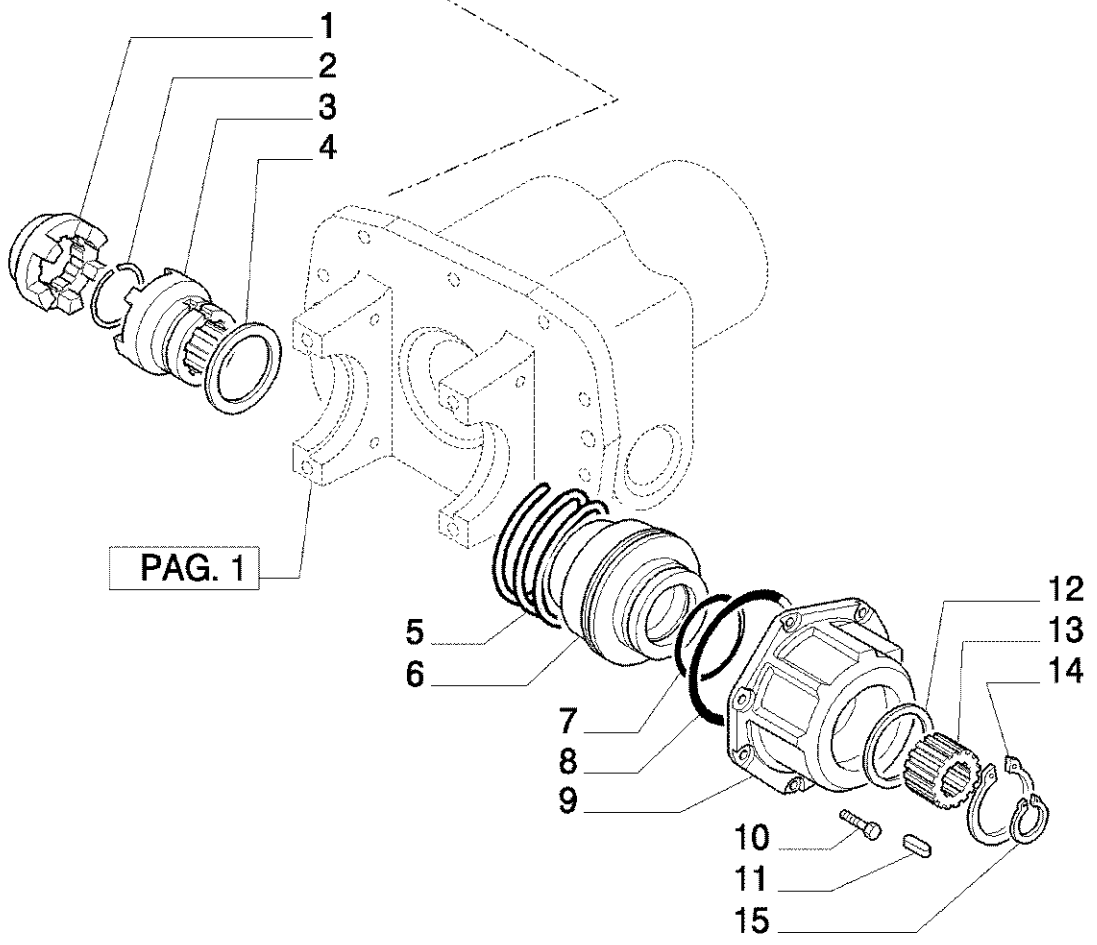
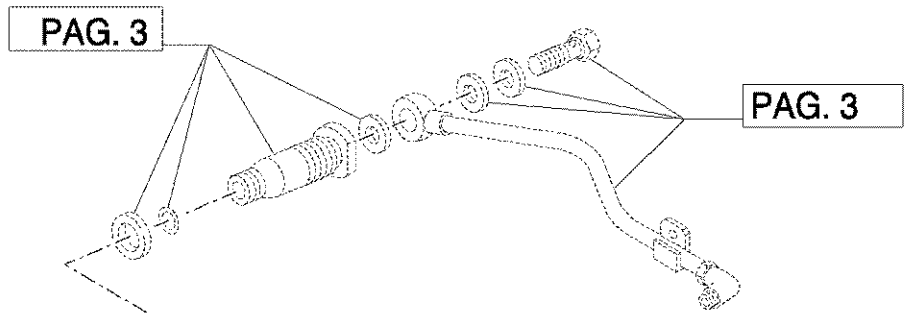
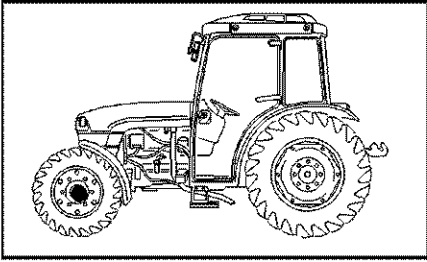
1.40.1/06



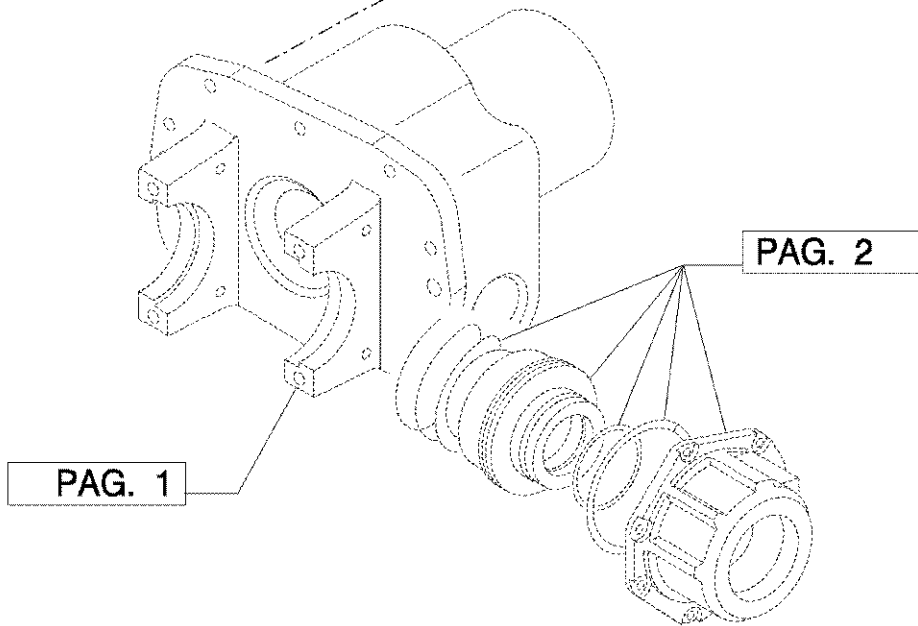
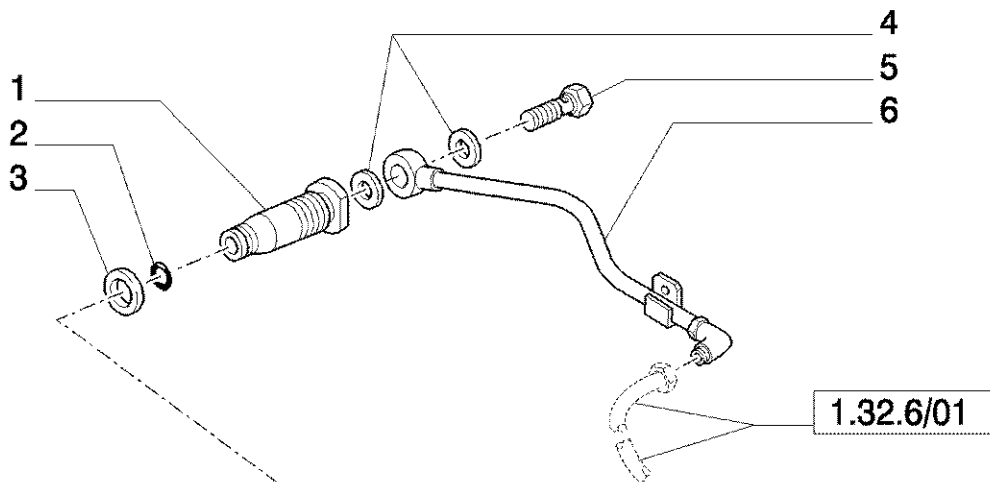
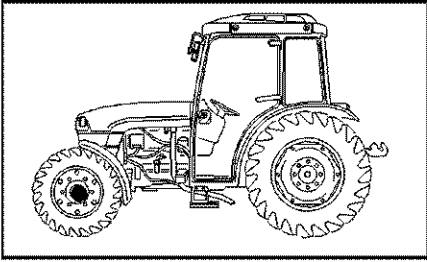
1.40.1/01
1.40.1/02



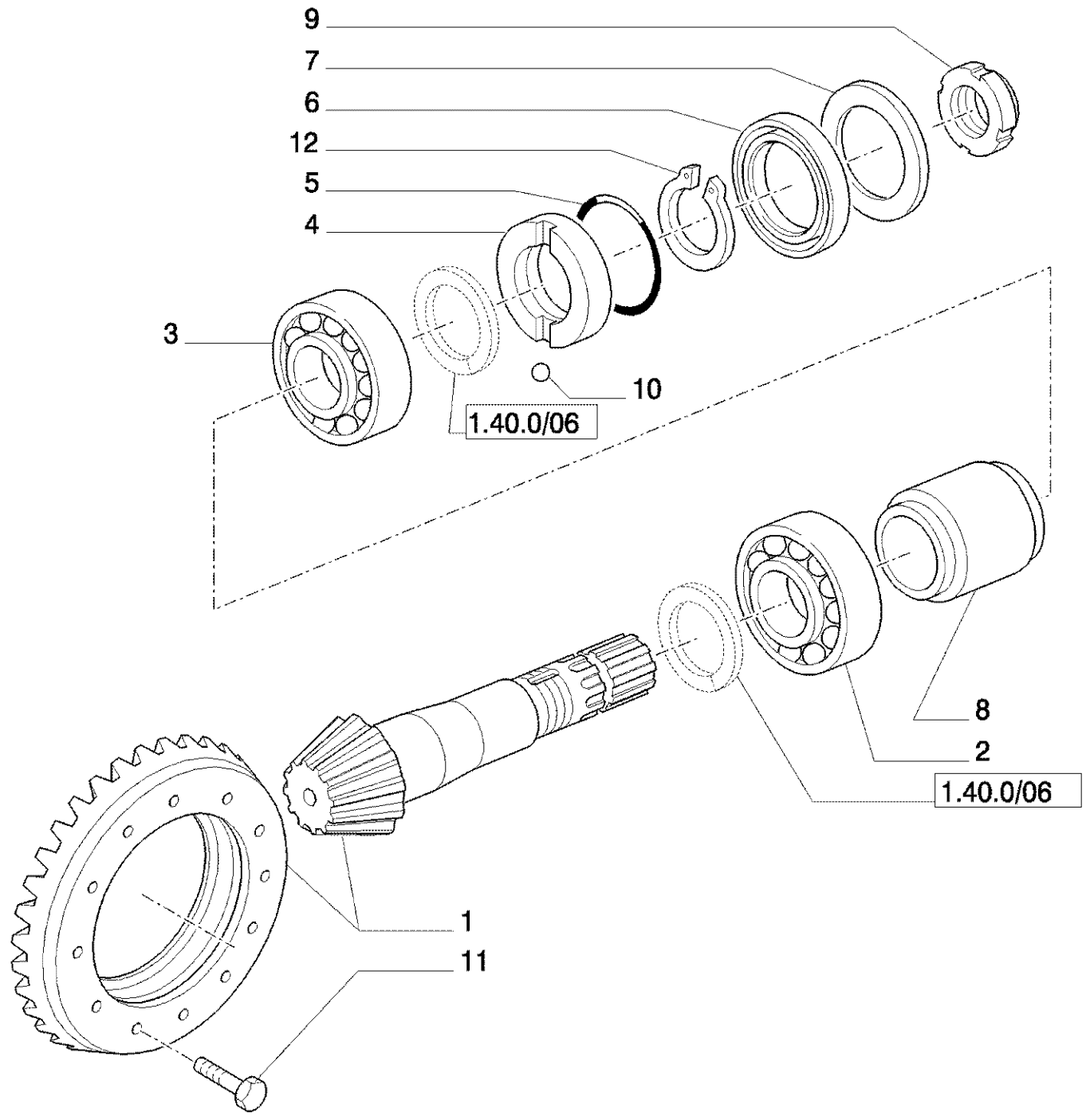
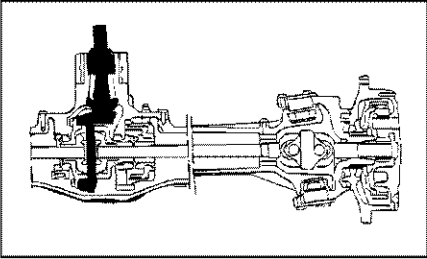
Ref	Onderdeelnummer	Kwt	Beschrijving
1	4966240	1	PAKKINGMOER, ASSY
2	4966243	1	KLEMPLAAT,
3	562659	1	PLAAT,
4	15970524	1	BOUT, Hex, M10 x 1.25 x 20, 8.8, Full Thd,
5	14274631	5	BOUT, Hex, M12 x 1.25 x 35, , BSN HJH055056
5	14274534	3	BOUT, Hex, M12 x 1.25 x 30, , BSN HJH055056
5	14274834	1	BOUT, Hex, M12 x 1.25 x 45, , BSN HJH055056
5	14275821	1	SCHROEF, M12x110, BSN HJH055056
6	5136120	1	LAGERBUS,
7	5136119	1	RING,
8	4966244	5	STEL PEN,
9	14275331	2	BOUT, Hex, M12 x 1.25 x 70,
9	14275521	2	SCHROEF, M12x1.25x80
10	5198485	1	STEUN, ASSY, BSN HJH055056
11	11062476	1	RING, SNAP, M90, Int,
12	87335147	1	STEUN, , ASN HJH055057
13	87332798	2	SCHROEF, M12x1.5x120, ASN HJH055057
13	87323720	6	SCHROEF, M12x1.5x45, ASN HJH055057
13	87332797	3	SCHROEF, M12x1.5x35, ASN HJH055057



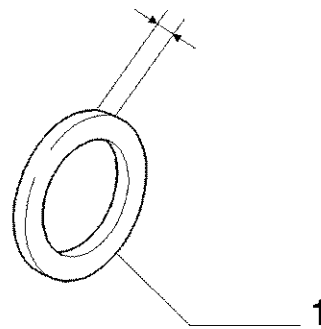
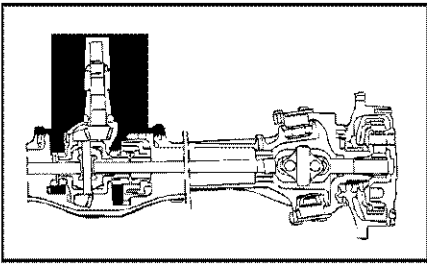
Ref	Onderdeelnummer	Kwt	Beschrijving
1	5167764	1	SLEEVE,
2	5167721	1	RING,
3	5167747	1	SLEEVE,
4	5167763	1	SLUITRING DRUKPLAAT,
5	5167827	1	VEER,
6	5167749	1	ZUIGER,
7	14465681	1	O-RING, -238, CI 7, 3.484" ID x .139" Thk,
8	14466581	1	O-RING, -247, CI 7, 4.609" ID x .139" Thk,
9	47123536	1	KLOKHUIS,
10	14307724	6	SCHROEF, Hex Soc Hd, M10 x 1.25 x 40, 8.8,
11	14724820	1	INLEGSPIE, Sq, M8 x 7 x 36,
12	5167748	1	SLUITRING DRUKPLAAT,
13	5167762	1	NAAF,
14	11070076	1	RING, SNAP, M65, Ext,
15	80370003	2	BORGVEER, M30



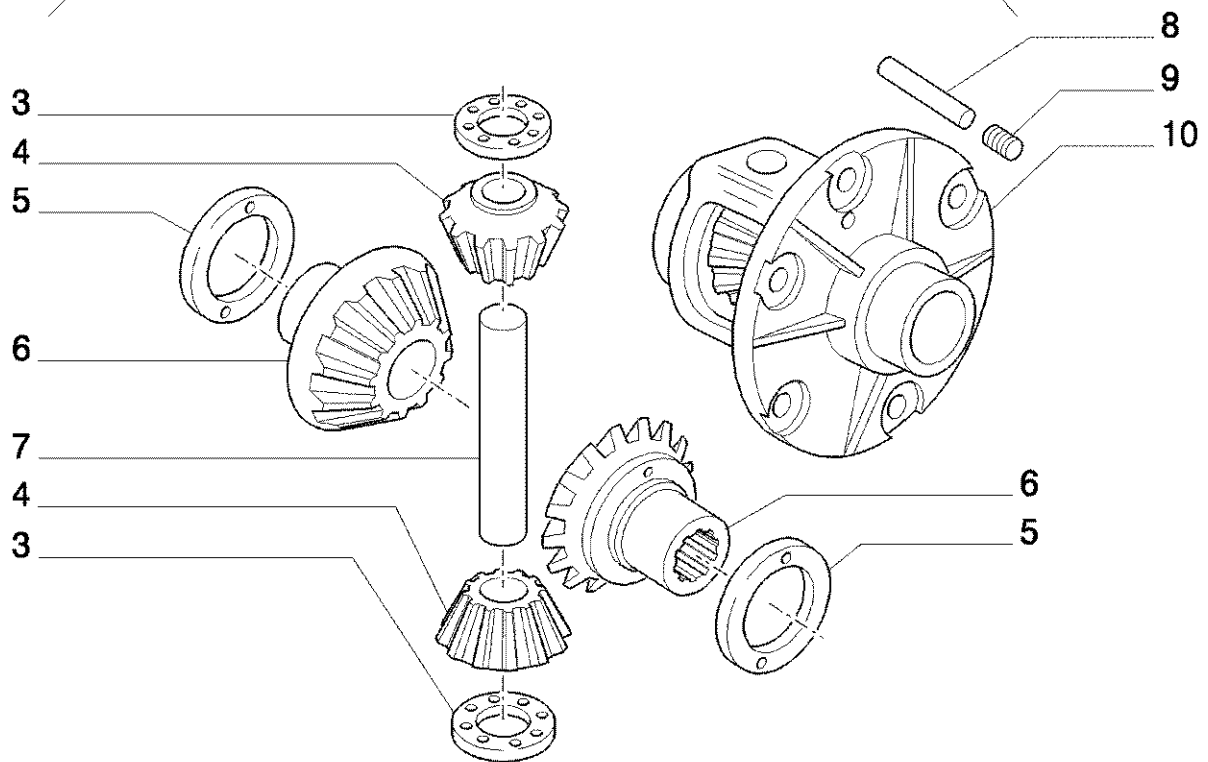
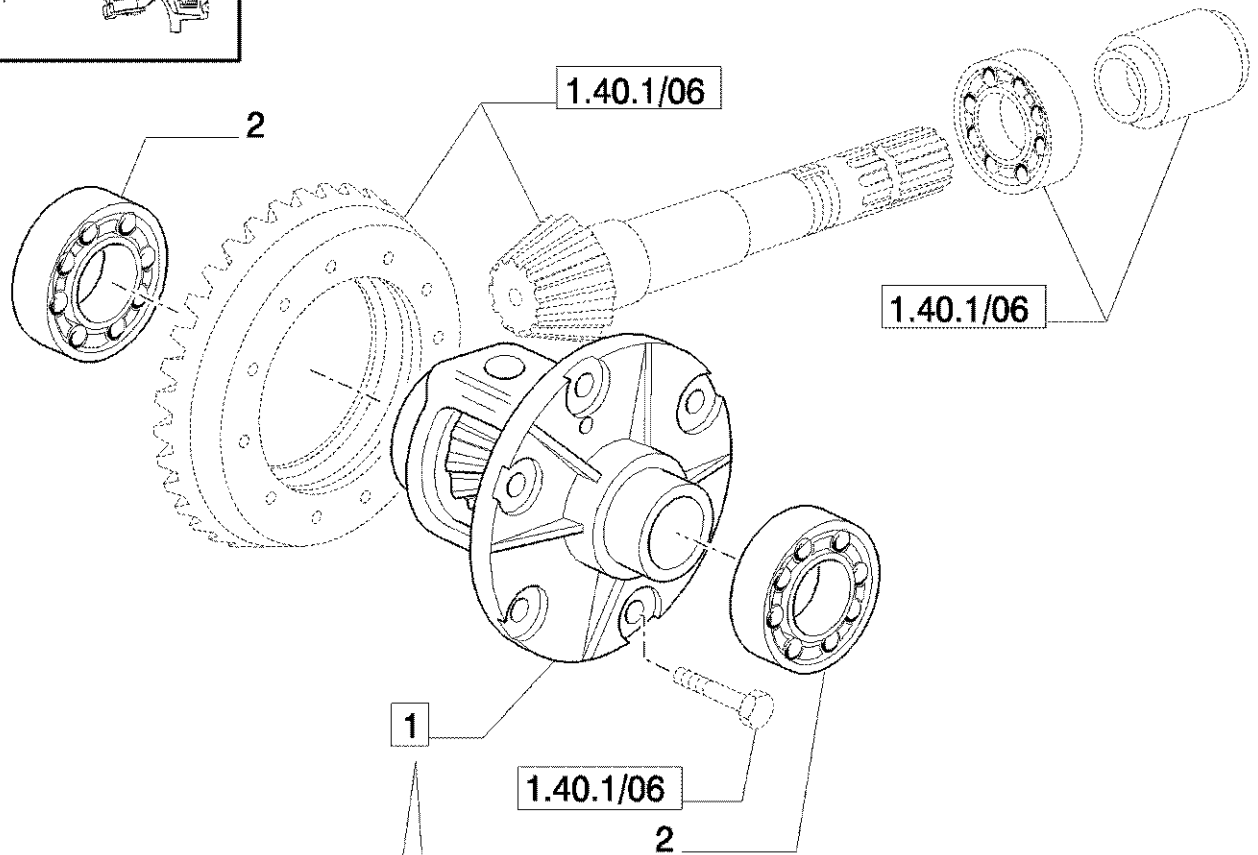
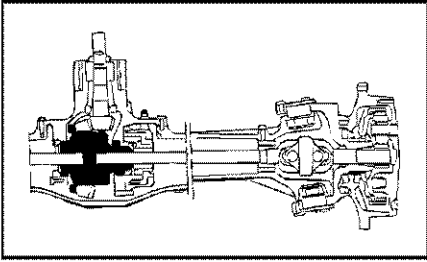
Ref	Onderdeelnummer	Kwt	Beschrijving
1	5167725	1	VERBINDING,
2	272217	1	O-RING, -013, 90 Duro, .426" ID x .070" Thk,
3	87332142	1	DICHTRING, D=22
4	4858608	2	DICHTINGSRING, 14x20x1.5
5	10184311	1	VERBINDINGSBOUT,
6	47124182	1	VASTE BUIS,



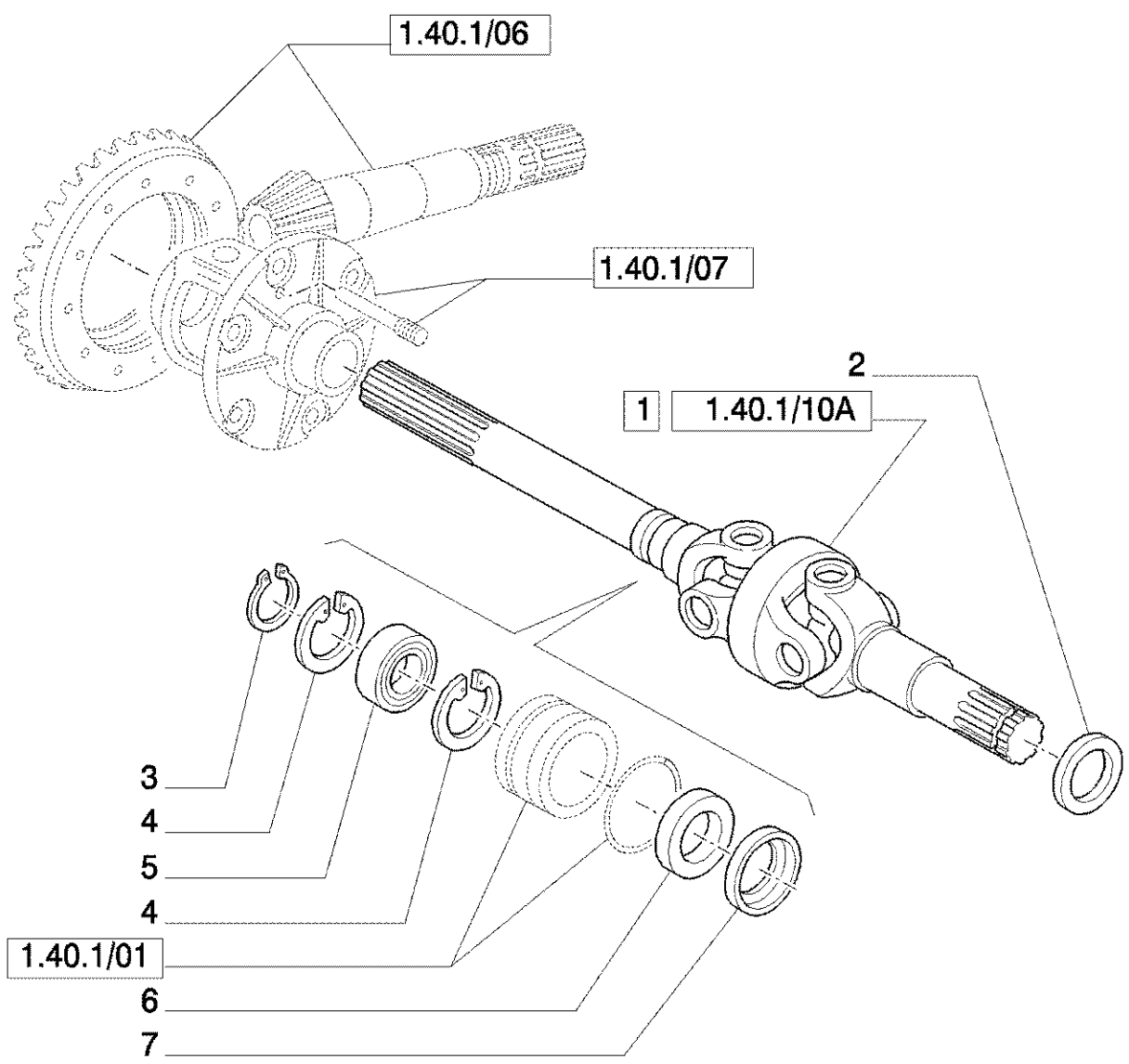
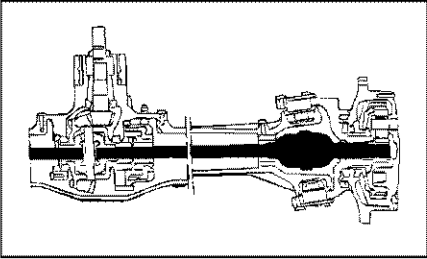
Ref	Onderdeelnummer	Kwt	Beschrijving
1	5173886	1	KONISCHE KOPPELINGEN, Ratio 10/30
2	5143109	1	DRUKKNOP M SCHUIFROLLETJ,
3	26799950	1	STEL RINGEN +0.8, 35 x 72 x 18.25
4	5142026	1	RING,
5	14454380	1	O-RING, -026, 70 Duro, 1.239" ID x .070" Thk, (M31.47 ID x 1.78 Thk)
6	5135294	1	DICHTINGSRING, 45x75x10/12
7	4997451	1	DICHTINGSBESCHERMING,
8	5169235	1	AFSTANDSRING,
9	5143242	1	PAKKINGMOER, M35x19.5
10	20419320	1	KOGEL, D=6.35
11	14274434	6	BOUT, Hex, M12 x 1.25 x 25,
12	11067776	1	RING, SNAP, M29, Ext,



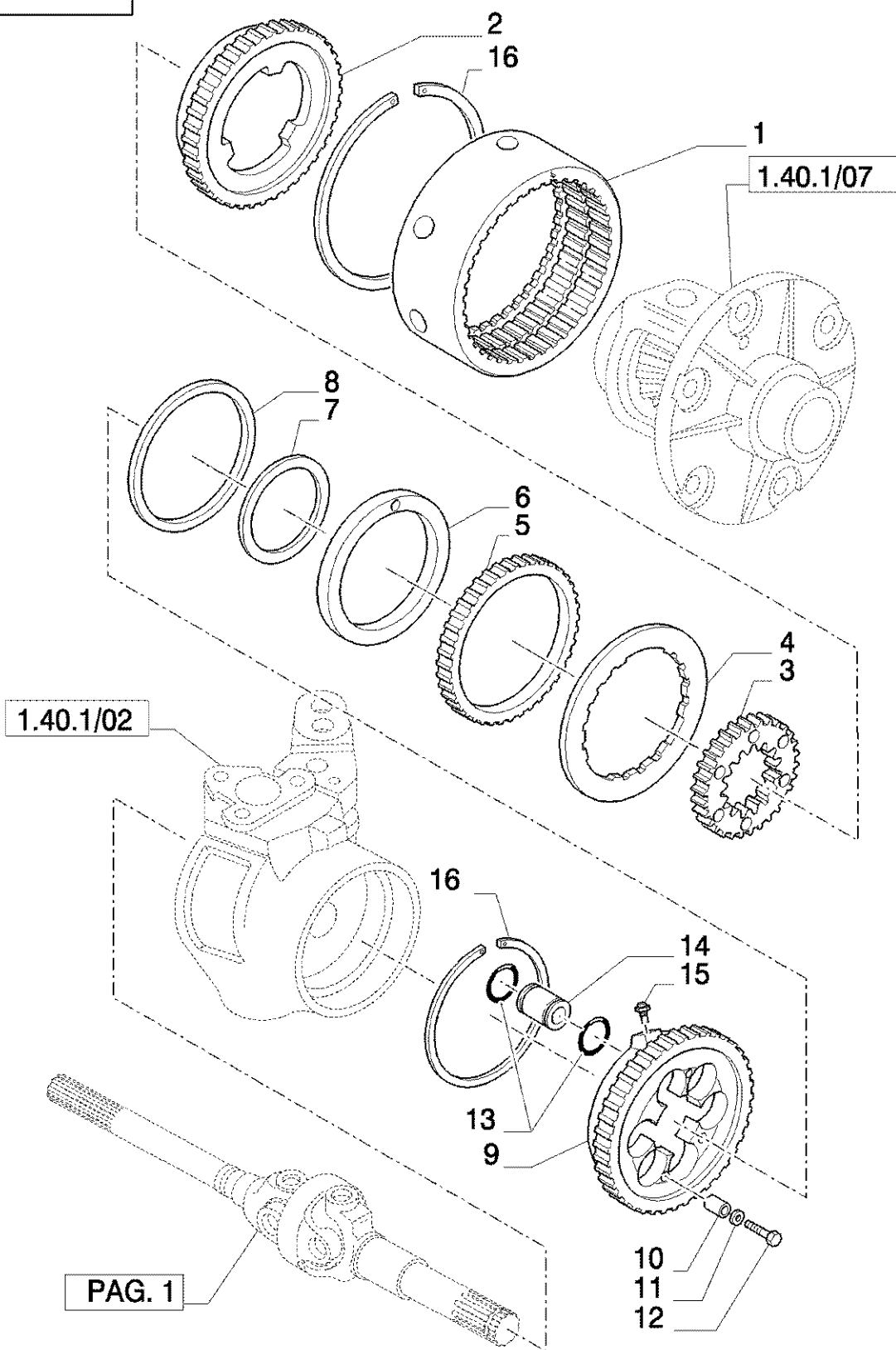
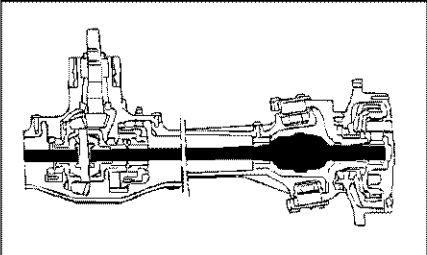
Ref	Onderdeelnummer	Kwt	Beschrijving
1	5167750	AR	DIKTEPLAAT, MM.0.9
1	5167751	AR	DIKTEPLAAT, MM.1.0
1	5167752	AR	DIKTEPLAAT, MM.1.1
1	5167753	AR	DIKTEPLAAT, MM.1.2
1	5167754	AR	DIKTEPLAAT, MM.1.3
1	5167755	AR	DIKTEPLAAT, MM.1.4
1	5167756	AR	DIKTEPLAAT, MM.1.5
1	5167757	AR	DIKTEPLAAT, MM.1.6
1	5167758	AR	DIKTEPLAAT, MM.1.7
1	5167759	AR	DIKTEPLAAT, MM.1.8
1	5167760	AR	DIKTEPLAAT, MM.1.9
1	5167761	AR	DIKTEPLAAT, MM.2.0



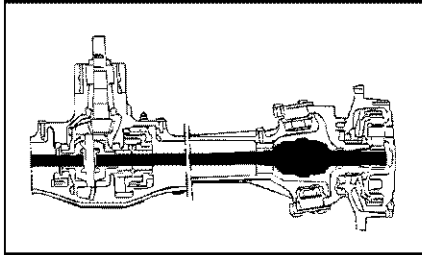
Ref	Onderdeelnummer	Kwt	Beschrijving
1	5167879	1	KARTER EN TANDWIELEN, ASSY
2	26799980	2	DRUKKNOP M SCHUIFROLLETJ, ASSY 50x90
3	5104408	2	SLUITRING DRUKPLAAT,
4	4987111	2	NULLASTTANDWIEL,
5	5167655	2	DIKTEPLAAT, MM.1.5
5	5167694	2	DIKTEPLAAT, MM.1.6
5	5167702	2	DIKTEPLAAT, MM.1.7
5	5167703	2	DIKTEPLAAT, MM.1.8
6	5167717	1	PLANEETWIEL,
7	5103612	1	PEN,
8	5173242	1	SPANSTIFT,
9	13807870	1	KRACHTBRON, Hex Soc, M8 x 14, Flat Pt,
10	5174802	1	HUIS,



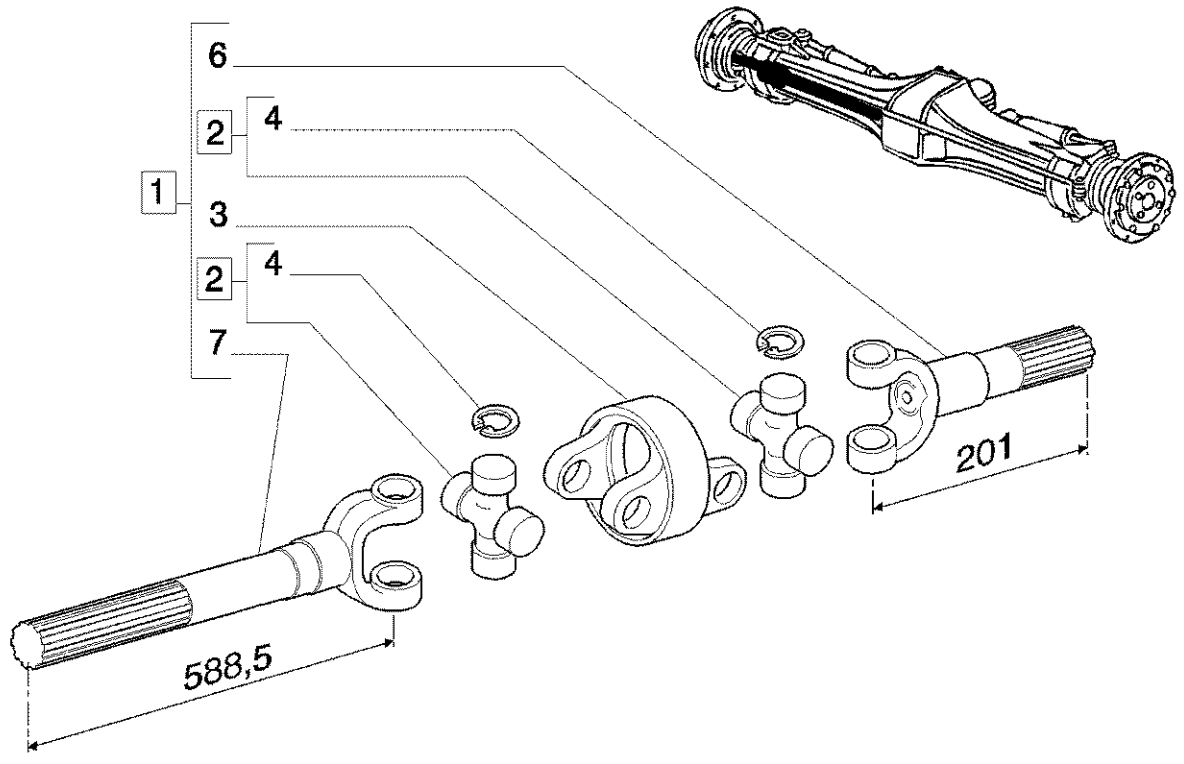
Ref	Onderdeelnummer	Kwt	Beschrijving
1	5186660	1	SCHNARNIERRENDE DRAAGAS, LH
1	5186659	1	SCHNARNIERRENDE DRAAGAS, RH
2	5184124	2	DICHTINGSRING, 47x65x16.5
3	80370003	2	BORGVEER, M30
4	11060676	4	BORGVEER, M55, Int,
5	28042460	2	LAGER, KOGEL, ASSY 30x55x13
6	5116701	2	DICHTINGSRING, 35x55
7	4997436	2	HOUDER,



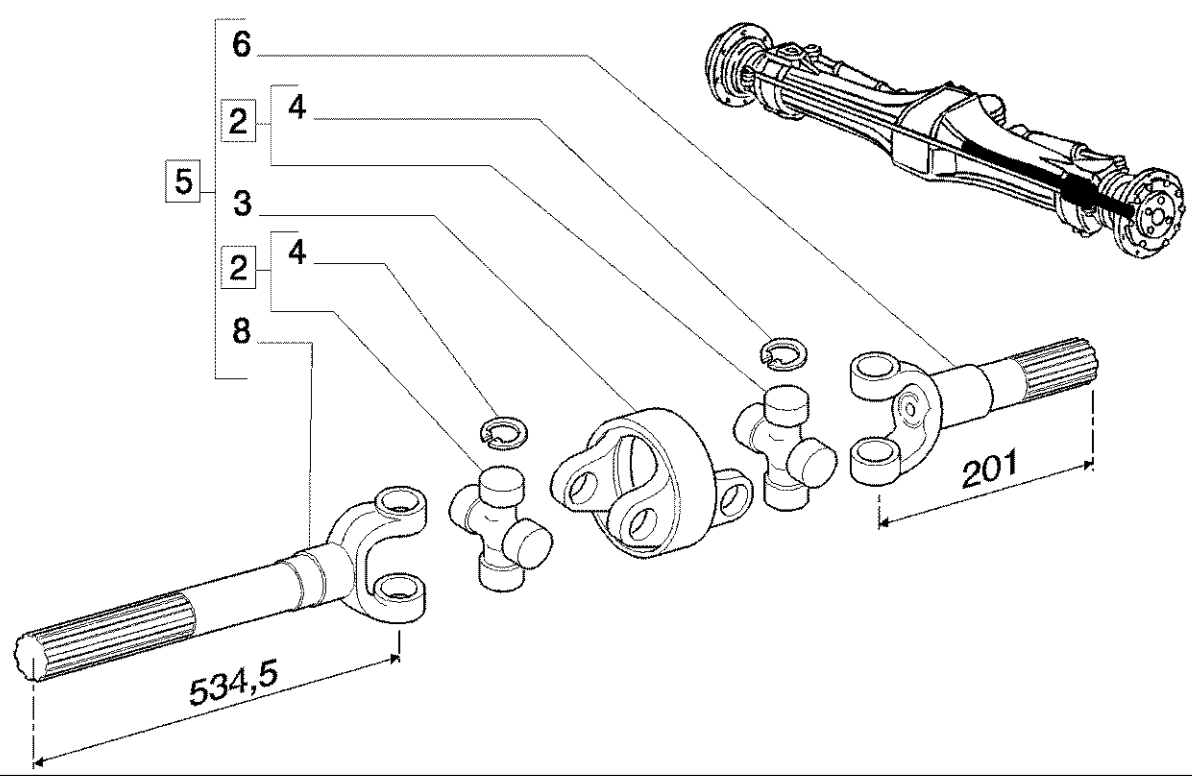
Ref	Onderdeelnummer	Kwt	Beschrijving
1	5178603	2	KROONWIEL,
2	5178605	2	SCHIJF,
3	5178606	2	NAAF,
4	5178600	2	REMSCHIJF,
5	5178588	2	SCHIJF,
6	5173498	2	LAGERBUS,
7	5178747	2	DICHTINGSRING,
8	5178746	2	DICHTINGSRING,
9	5173500	2	HUIS,
10	5179292	12	LAGERBUS,
11	11190679	12	WASHER, SPRING, Belleville, M10.5,
12	16323830	12	BOUT, Hex, M10 x 1.25 x 45,
13	14456981	4	O-RING, -111, CI 7, .424" ID x .103" Thk,
14	5173504	2	PAWL,
15	5153030	2	SCHROEF, ONTLUCHTING,
16	5173730	4	SLUITRING,



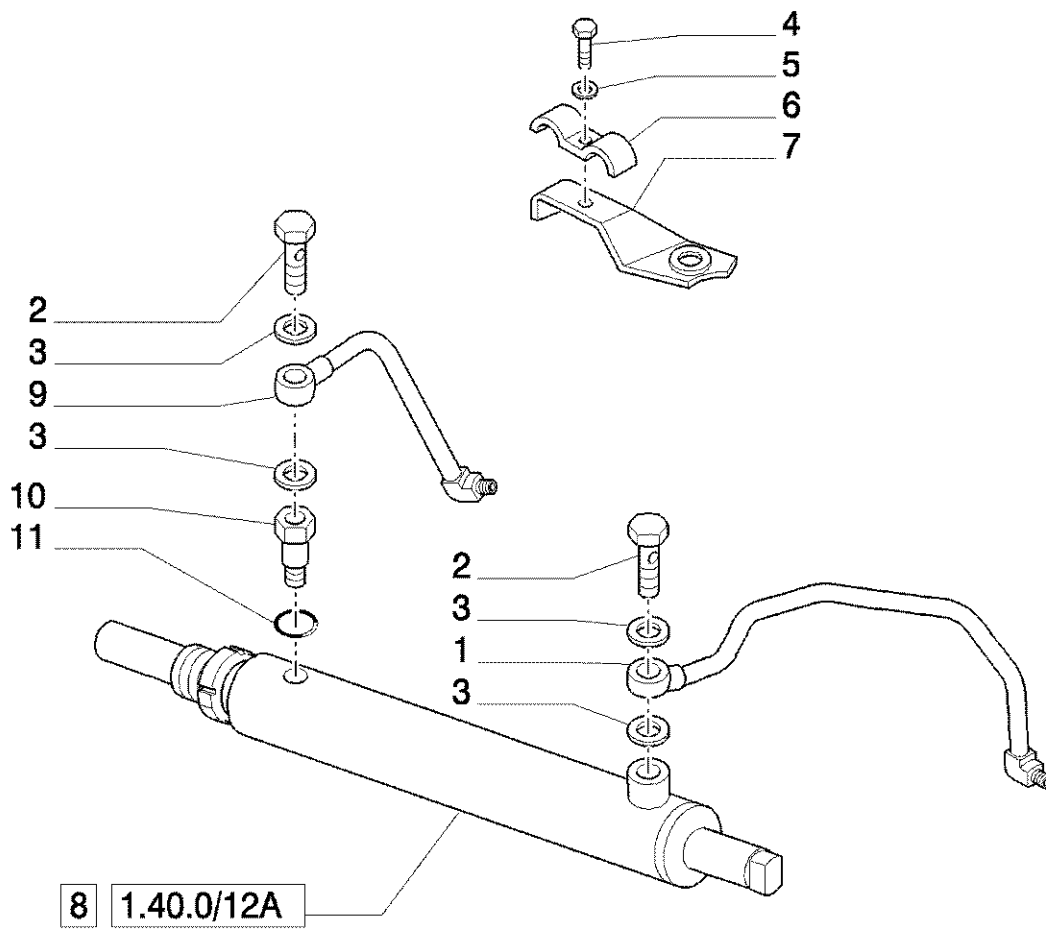
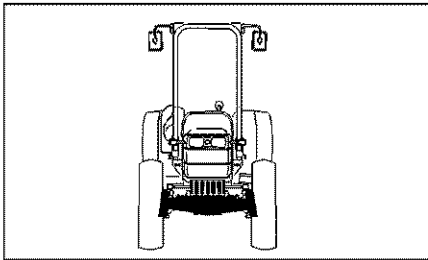
FOR RIGHT WHEEL



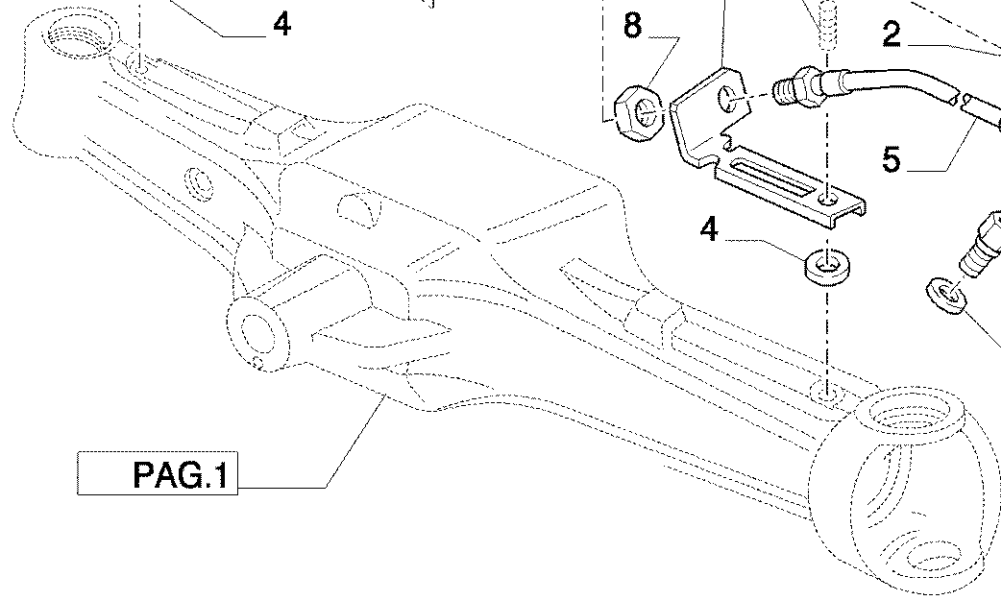
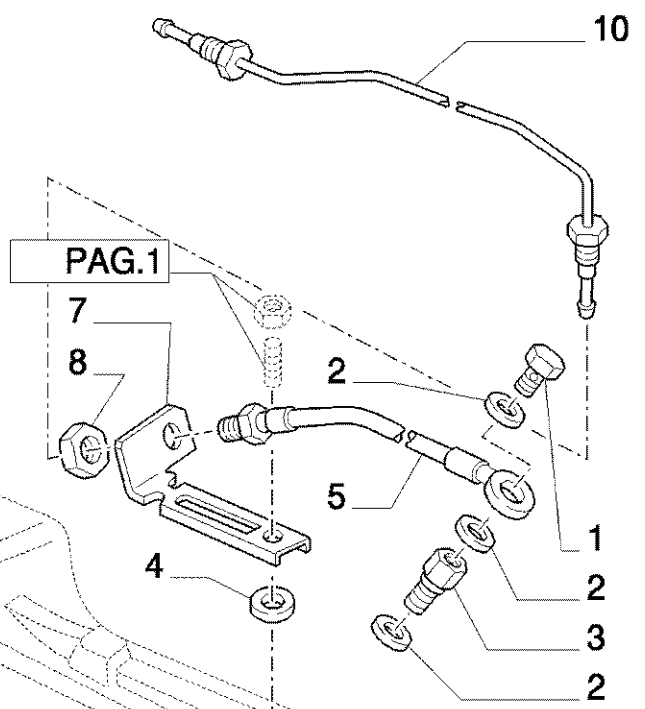
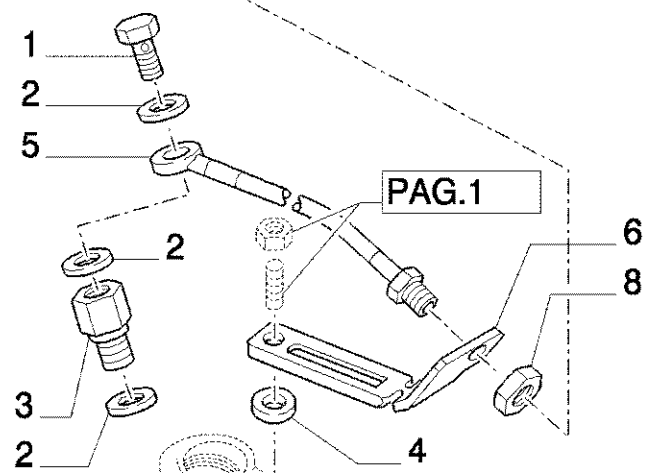
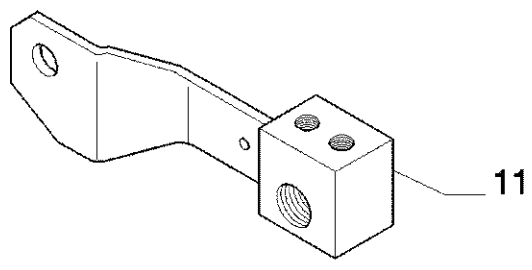
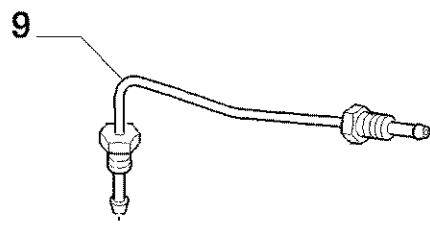
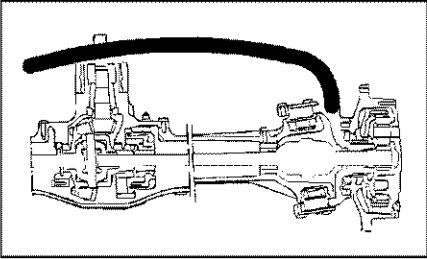
FOR LEFT WHEEL



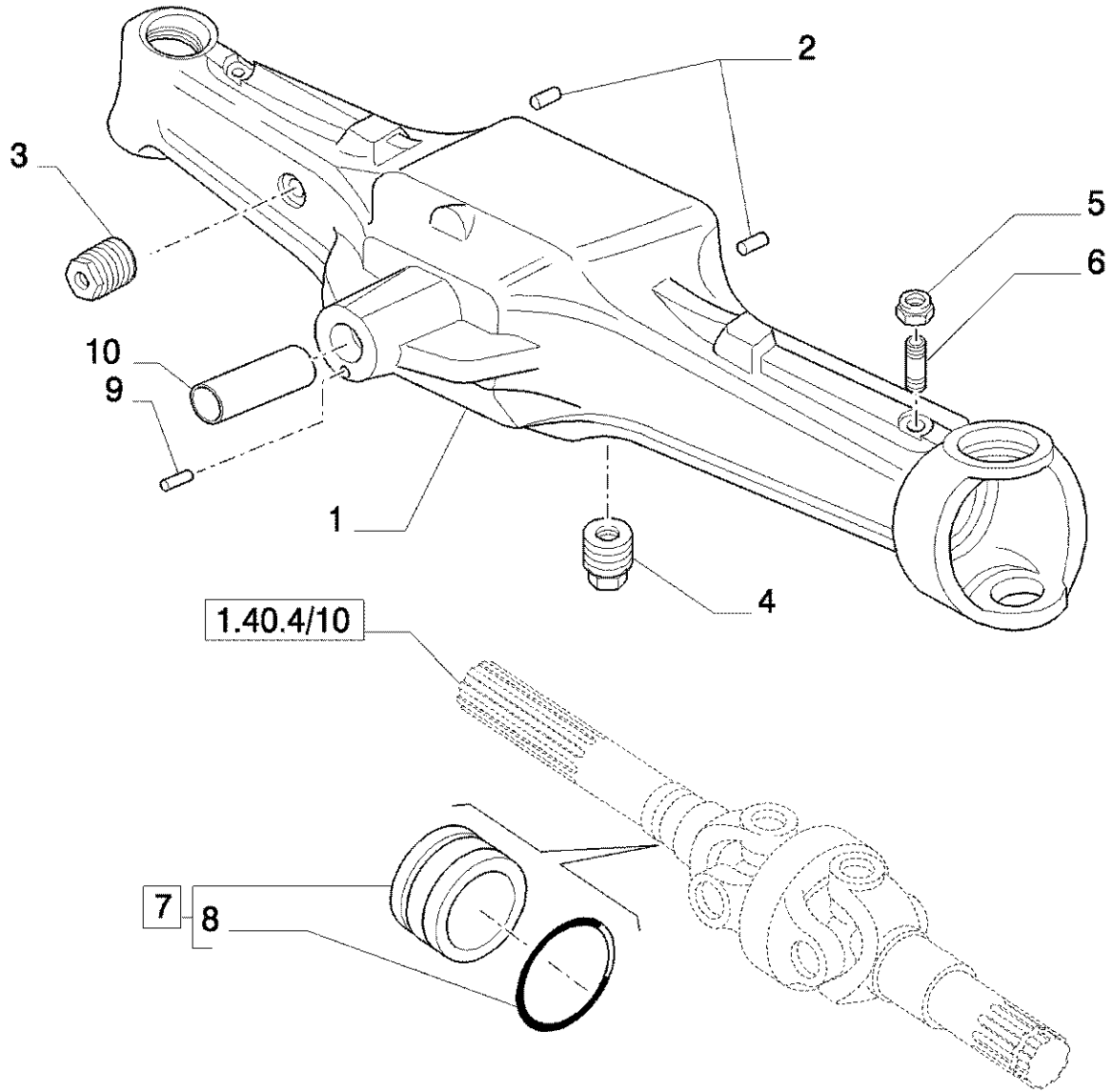
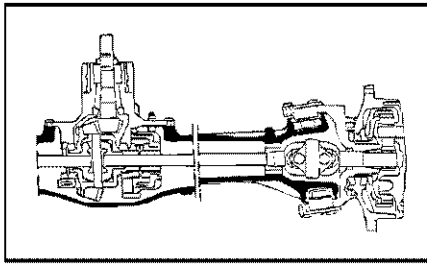
Ref	Onderdeelnummer	Kwt	Beschrijving
1	5186659	1	SCHNARNIERRENDE DRAAGAS, RH
2	5191024	2	DWARSTUK,
3	5191027	1	VORK,
4	80278643	8	BORGVEER,
5	5186660	1	SCHNARNIERRENDE DRAAGAS, LH
6	5191419	1	VORK,
7	5191422	1	VORK,
8	5191420	1	VORK,



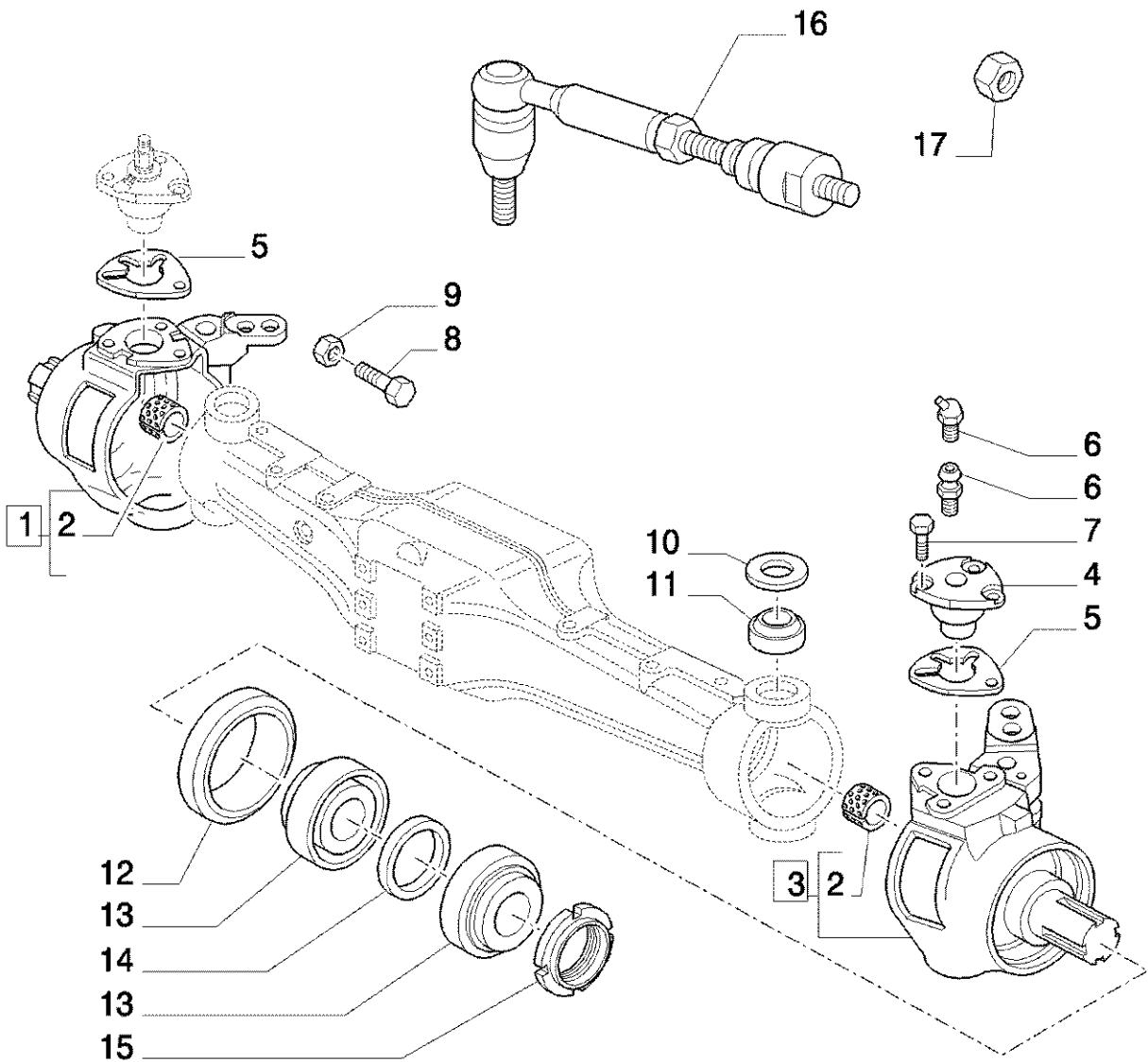
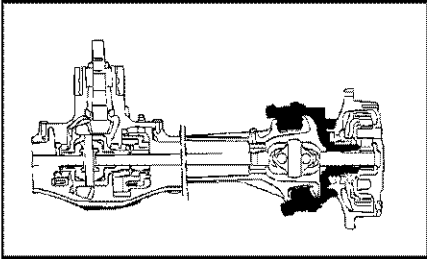
Ref	Onderdeelnummer	Kwt	Beschrijving
1	47131857	1	VASTE BUIS,
2	10184311	2	VERBINDINGSBOUT,
3	44906168	4	DICHTINGSRING, 14.86x22.23
5	11197774	1	WASHER, SPRING, Belleville, M6.4,
6	4999554	1	KLEM,
7	47131794	1	STEUNBEUGEL,
8	5198486	1	SERVOSTUURCYLINDER, , BSN HJE024693
8	47136495	1	SERVOSTUURCYLINDER, , ASN HJE024694
9	47124110	1	VASTE BUIS,
10	47124202	1	VERBINDING,
11	14437785	1	O-RING, 11.3MM ID x 2.4 Thk,
4	10902224	1	BOUT, Hex, M6 x 16, 8.8, Full Thd,



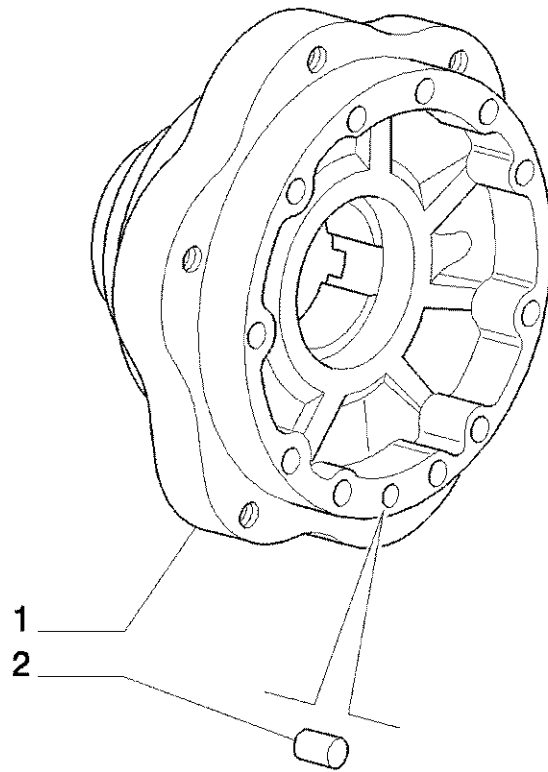
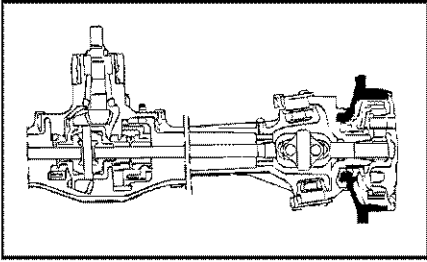
Ref	Onderdeelnummer	Kwt	Beschrijving
1	5155703	2	VERBINDINGSBOUT, M12x22
2	4858607	6	WASHER, COPPER,
3	5182367	2	VERBINDING,
4	10520021	2	SLUITRING, M12 x 22 x 3,
5	5155700	2	FLEXIBELE SLANG,
6	5182988	1	STEUNBEUGEL, RH
7	5182989	1	ELLEBOOG, LH
8	10718114	2	NUT, LOCK, M16 x 1, CI 04,
9	47132777	1	VASTE BUIS, RH
10	47132778	1	VASTE BUIS, LH
11	47131794	1	STEUNBEUGEL,



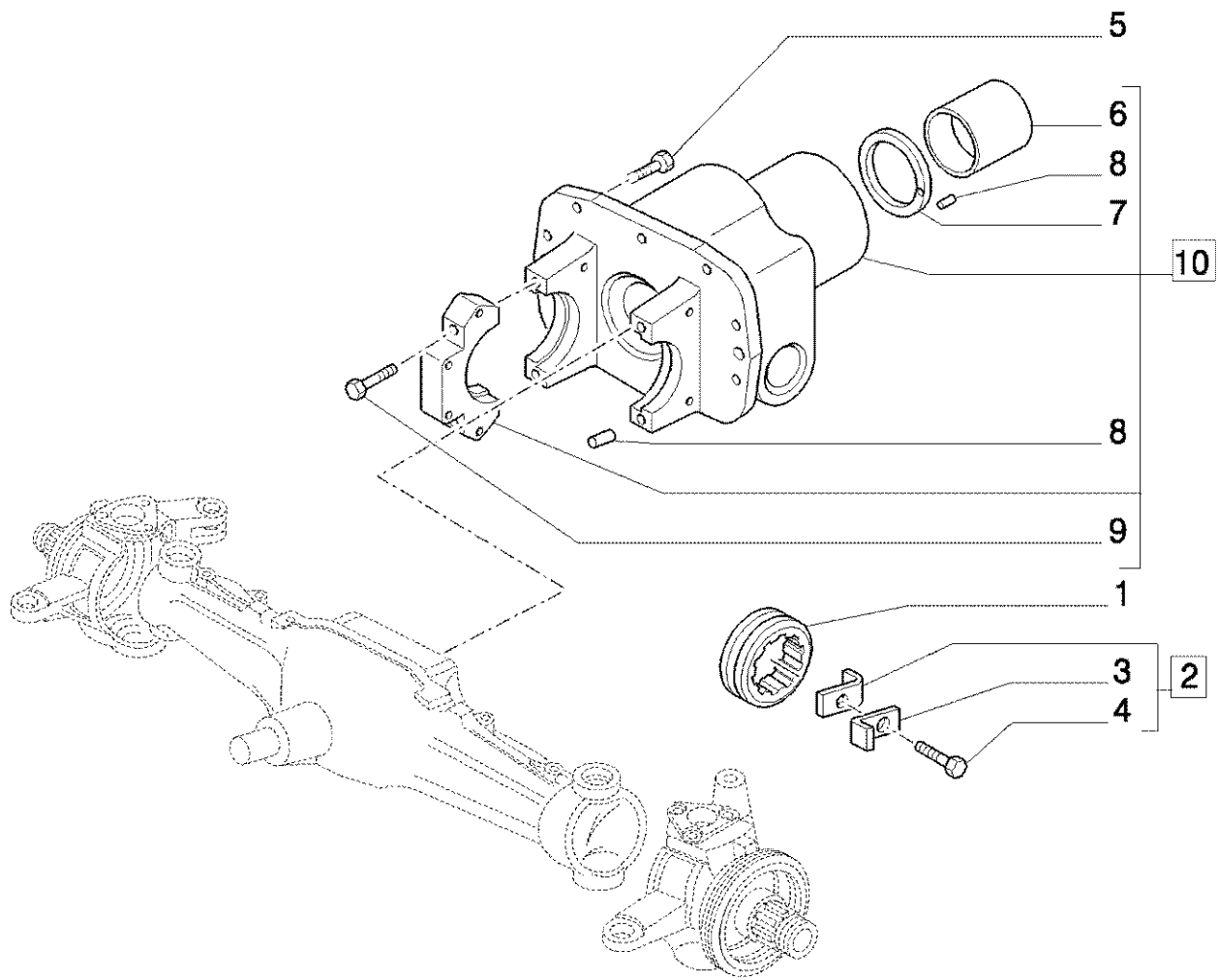
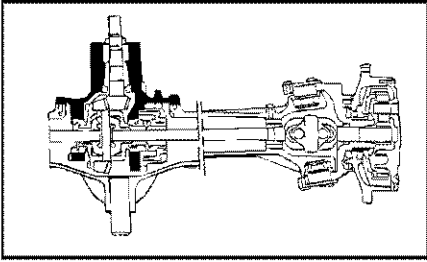
Ref	Onderdeelnummer	Kwt	Beschrijving
1	47131423	1	KAST,
2	5174376	2	STEL PEN,
3	14324411	1	PLUG,
4	14326211	1	PLUG, Magnetic
5	16101524	2	MOER, M12 x 1.25, CI 10,
6	87316865	2	SCHROEF, M12x1.25x53
7	4997348	2	LAGERBUS, M22x1.5, -C5243
7	87371275	2	LAGERBUS, , D5243-
8	14460680	2	O-RING, -148, 90 Duro, 2.737" ID x .103" Thk, , -C5243
8	14465680	2	O-RING, -238, 70 Duro, 3.484" ID x .139" Thk, , D5243-
9	4966244	2	STEL PEN, 5x15
10	47123533	1	PEN,



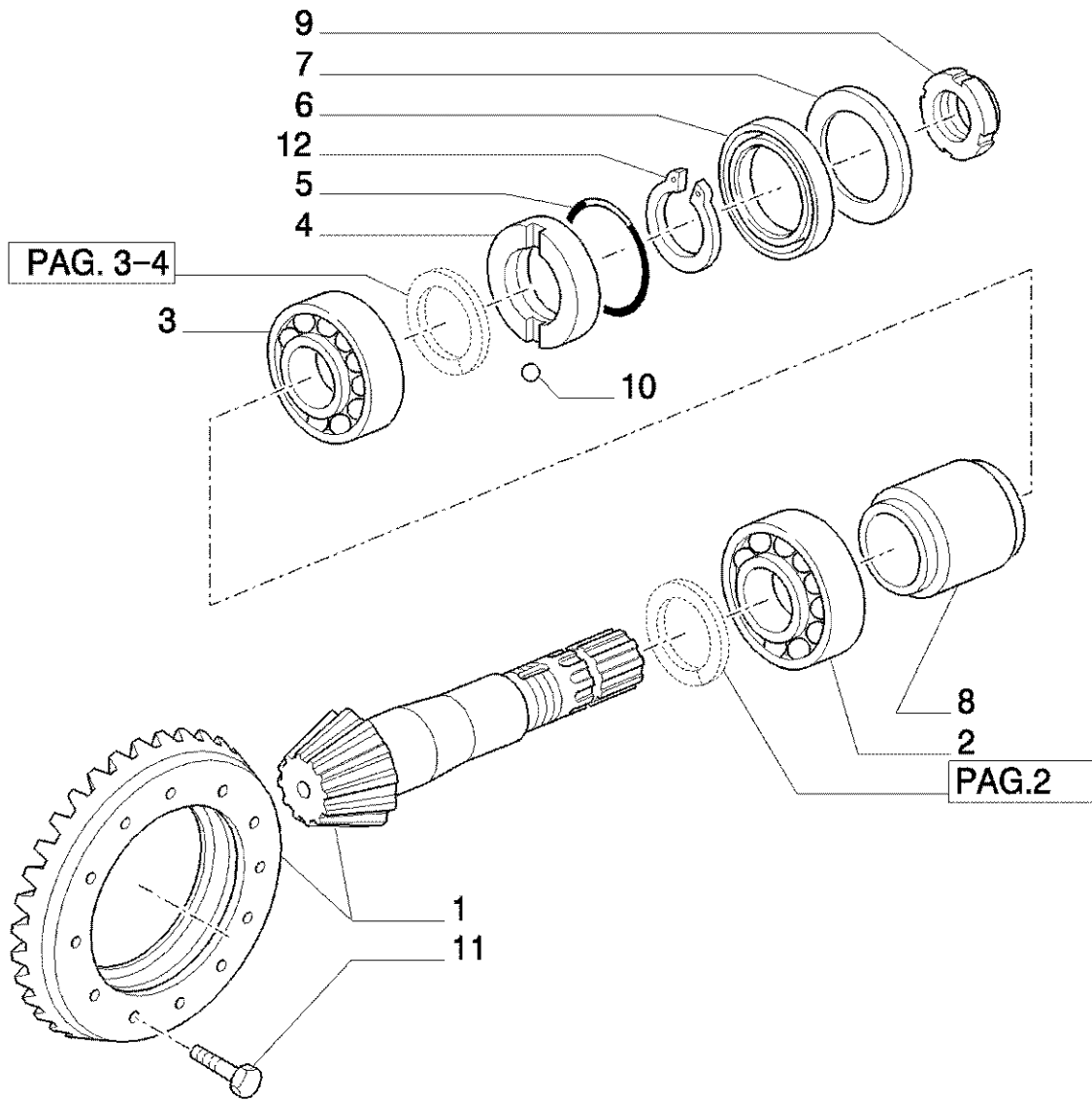
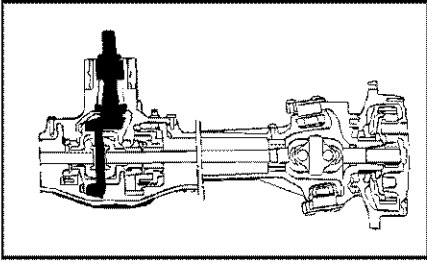
Ref	Onderdeelnummer	Kwt	Beschrijving
1	47125377	1	STUURGEWRICHT, RH,ASSY
2	5105321	2	LAGERBUS, 45x50x30
3	47125375	1	STUURGEWRICHT, LH,ASSY
4	5165271	3	KOGELPEN,
5	5100789	AR	DIKTEPLAAT, MM.0.10
5	5100793	AR	DIKTEPLAAT, MM.0.30
5	5100790	AR	DIKTEPLAAT, MM.0.15
5	5100791	AR	DIKTEPLAAT, MM.0.20
5	5100792	AR	DIKTEPLAAT, MM.0.25
6	5120532	1	SMEERNIPPEL, M14 x 1.5,
7	14233634	9	BOUT, Hex, M10 x 30,
8	5167638	2	SCHROEF,
9	10717624	2	MOER, Thin, M18 x 2.5, CI 05,
10	5122548	4	DICHTINGSRING, 50x60x7
11	24903780	4	DRUKKNOP M SCHUIFROLLETJ, 30x55x17
12	5184122	2	DICHTINGSSTUK, 154x130x15
13	5164622	4	DRUKKNOP M SCHUIFROLLETJ, 70x110x21
14	5166183	2	AFSTANDSRING, 70x80x12.18
15	5165277	1	PAKKINGMOER, RH Thread, M70x2
15	5169116	1	PAKKINGMOER, LH Thread, M70x2
16	47125373	2	KOPPELINGSSTANG,
17	12577011	2	NUT, LOCK, M20 x 1.5, CI 8,



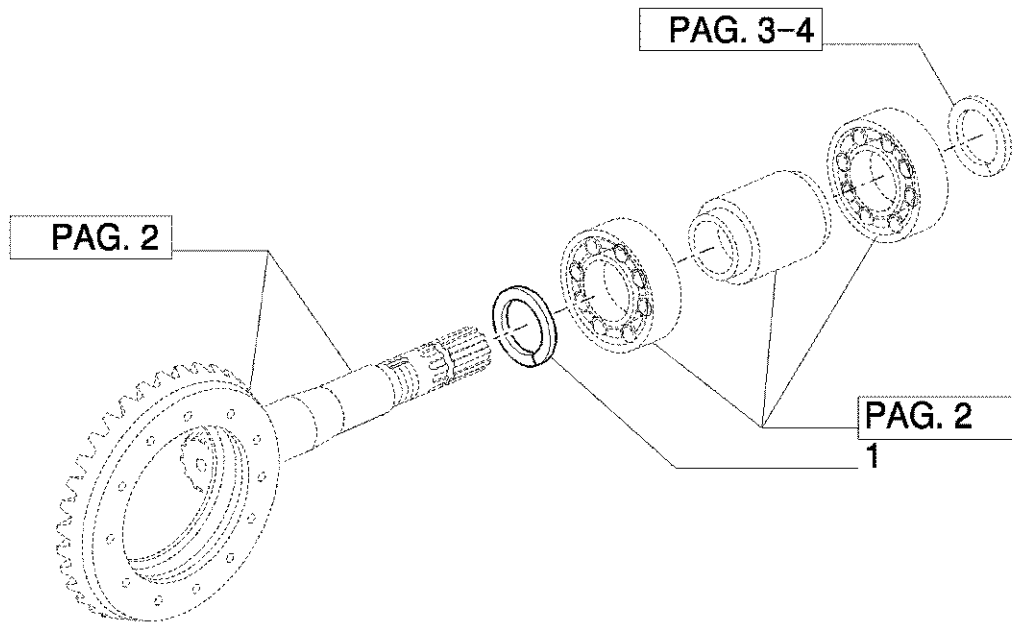
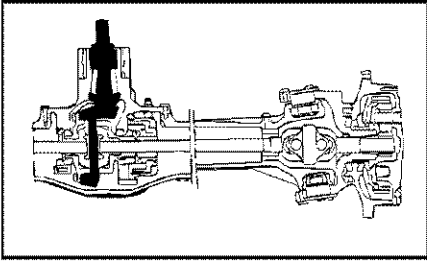
Ref	Onderdeelnummer	Kwt	Beschrijving
1	5169118	2	NAAF, RH
2	4988170	4	STEL PEN, 10x20



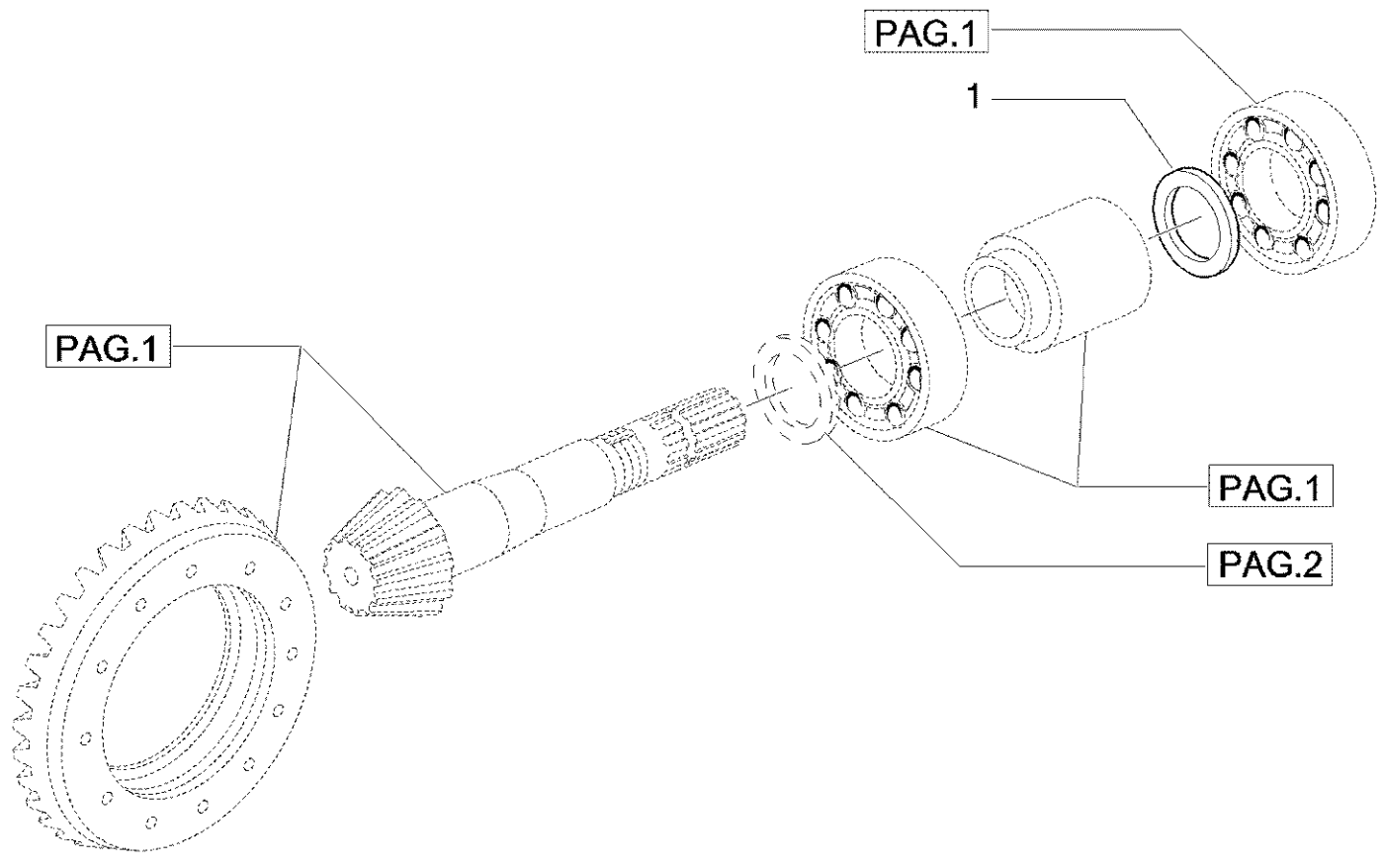
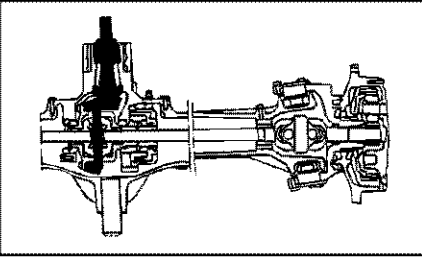
Ref	Onderdeelnummer	Kwt	Beschrijving
1	4966240	1	PAKKINGMOER,
2	4966243	2	KLEMPLAAT, M20 x 1
3	562659	2	PLAAT,
5	14274634	5	BOUT, Hex, M12 x 1.25 x 35,
5	14274534	3	BOUT, Hex, M12 x 1.25 x 30,
5	14274834	1	BOUT, Hex, M12 x 1.25 x 45,
5	14275821	1	SCHROEF, M10x20
6	5136120	1	LAGERBUS,
7	5136119	1	RING,
8	4966244	3	STEL PEN,
9	14275334	4	BOUT, M12x1.25x70
10	5198484	1	STEUN, ASSY
4	15970524	2	BOUT, Hex, M10 x 1.25 x 20, 8.8, Full Thd,



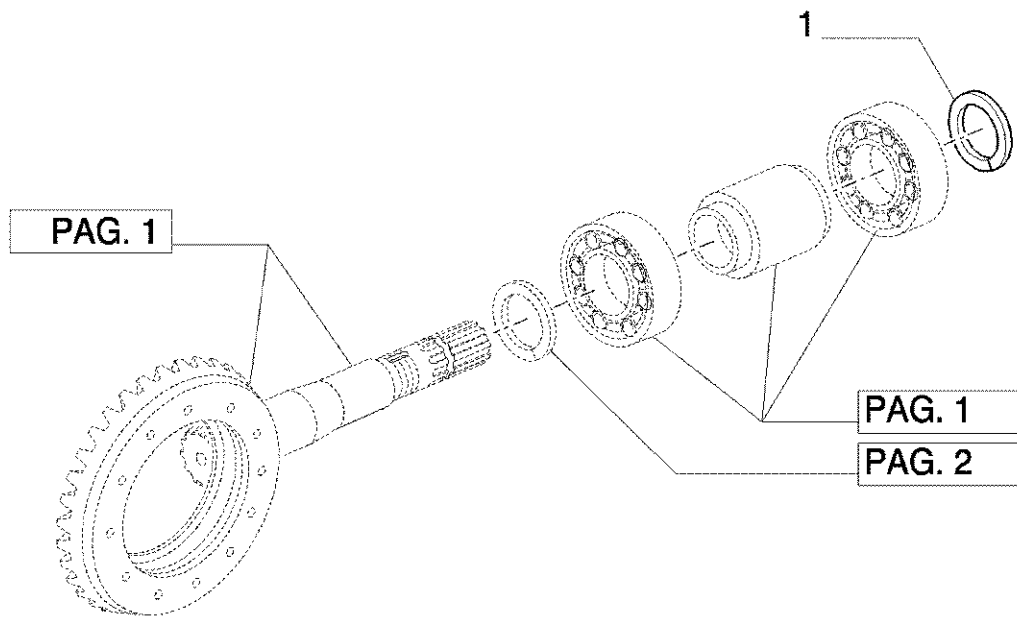
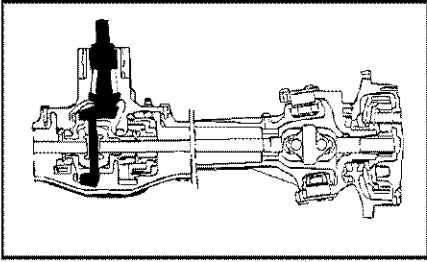
Ref	Onderdeelnummer	Kwt	Beschrijving
1	5175101	1	KONISCHE KOPPELINGEN, Ratio 8/30
1	5175103	1	KONISCHE KOPPELINGEN,
2	5143109	1	DRUKKNOP M SCHUIFROLLETJ,
3	26799950	1	STEL RINGEN +0.8, 35 x 72 x 18.25
4	5142026	1	RING,
5	14454380	1	O-RING, -026, 70 Duro, 1.239" ID x .070" Thk, (M31.47 ID x 1.78 Thk)
6	5135294	1	DICHTINGSRING, 45x75
7	4997451	1	DICHTINGSBESCHERMING,
8	5169235	1	AFSTANDSRING,
9	5143242	1	PAKKINGMOER, M35x19.5
10	20419320	1	KOGEL, D=6.35
11	14274434	6	BOUT, Hex, M12 x 1.25 x 25,
12	11067776	1	RING, SNAP, M29, Ext,



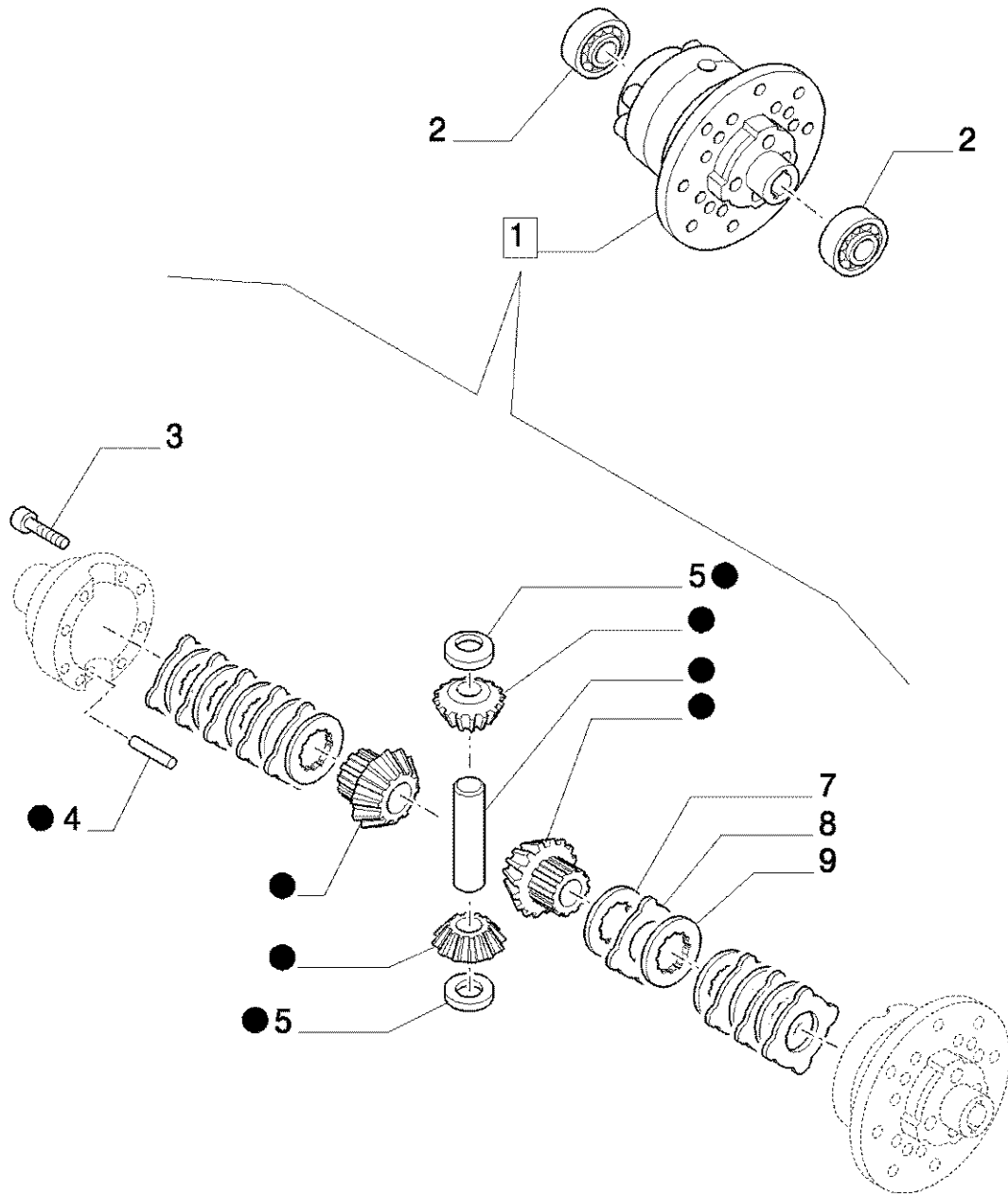
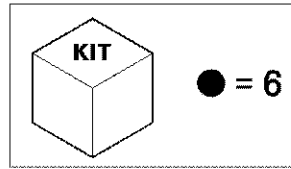
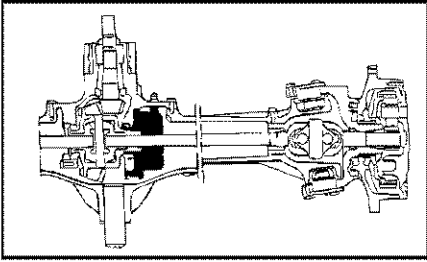
Ref	Onderdeelnummer	Kwt	Beschrijving
1	5142027	1	DIKTEPLAAT, 2.5 mm Thk
1	5142028	1	DIKTEPLAAT, 2.6 mm Thk
1	5142029	1	DIKTEPLAAT, 2.7 mm Thk
1	5142030	1	DIKTEPLAAT, 2.8 mm Thk
1	5142031	1	DIKTEPLAAT, 2.9 mm Thk
1	5142032	1	DIKTEPLAAT, 3 mm Thk
1	5142033	1	DIKTEPLAAT, 3.1 mm Thk
1	5142034	1	DIKTEPLAAT, 3.2 mm Thk
1	5142035	1	DIKTEPLAAT, 3.3 mm Thk
1	5142036	1	DIKTEPLAAT, 3.4 mm Thk
1	5142037	1	DIKTEPLAAT, 3.5 mm Thk
1	5142038	1	DIKTEPLAAT, 3.6 mm Thk
1	5142039	1	DIKTEPLAAT, 3.7 mm Thk
1	5087435	1	PACKAGE, SHIMS, D=41.4x58



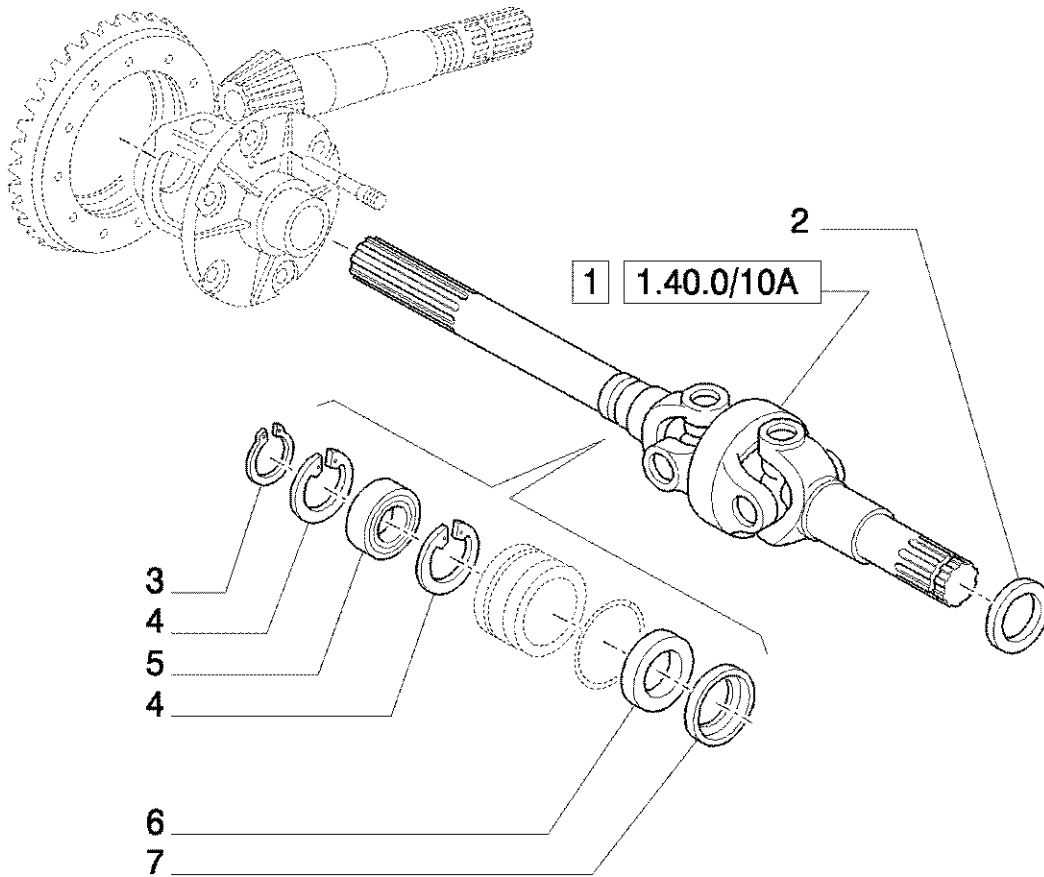
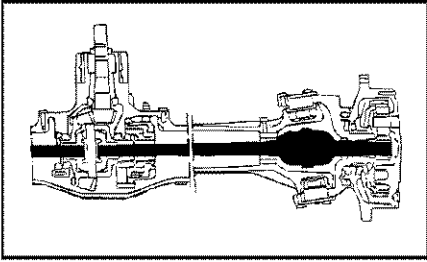
Ref	Onderdeelnummer	Kwt	Beschrijving
1	5101236	AR	DIKTEPLAAT, MM.3.50
1	5101237	AR	DIKTEPLAAT, MM.3.60
1	5101238	AR	DIKTEPLAAT, MM.3.70
1	5129161	AR	DIKTEPLAAT, MM.3.55
1	5129162	AR	DIKTEPLAAT, MM.3.65
1	5169313	AR	DIKTEPLAAT, MM.3.75
1	5169314	AR	DIKTEPLAAT, MM.3.80
1	5169315	AR	DIKTEPLAAT, MM.3.85
1	5169316	AR	DIKTEPLAAT, MM.3.90
1	5169317	AR	DIKTEPLAAT, MM.3.95
1	5169318	AR	DIKTEPLAAT, MM.4.00
1	5169319	AR	DIKTEPLAAT, MM.4.05
1	5169320	AR	DIKTEPLAAT, MM.4.10



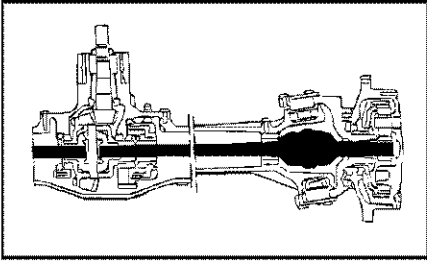
Ref	Onderdeelnummer	Kwt	Beschrijving
1	5169321	AR	DIKTEPLAAT, MM.4.15
1	5169322	AR	DIKTEPLAAT, MM.4.20
1	5169323	AR	DIKTEPLAAT, MM.4.25
1	5169324	AR	DIKTEPLAAT, MM.4.30
1	5169325	AR	DIKTEPLAAT, MM.4.35
1	5169326	AR	DIKTEPLAAT, MM.4.40
1	5169327	AR	DIKTEPLAAT, MM.4.45
1	5169328	AR	DIKTEPLAAT, MM.4.50
1	5169329	AR	DIKTEPLAAT, MM.4.55
1	5169330	AR	DIKTEPLAAT, MM.4.60
1	5169331	AR	DIKTEPLAAT, MM.4.65
1	5169332	AR	DIKTEPLAAT, MM.4.70
1	5169333	AR	DIKTEPLAAT, MM.4.75
1	5169334	AR	DIKTEPLAAT, MM.4.80



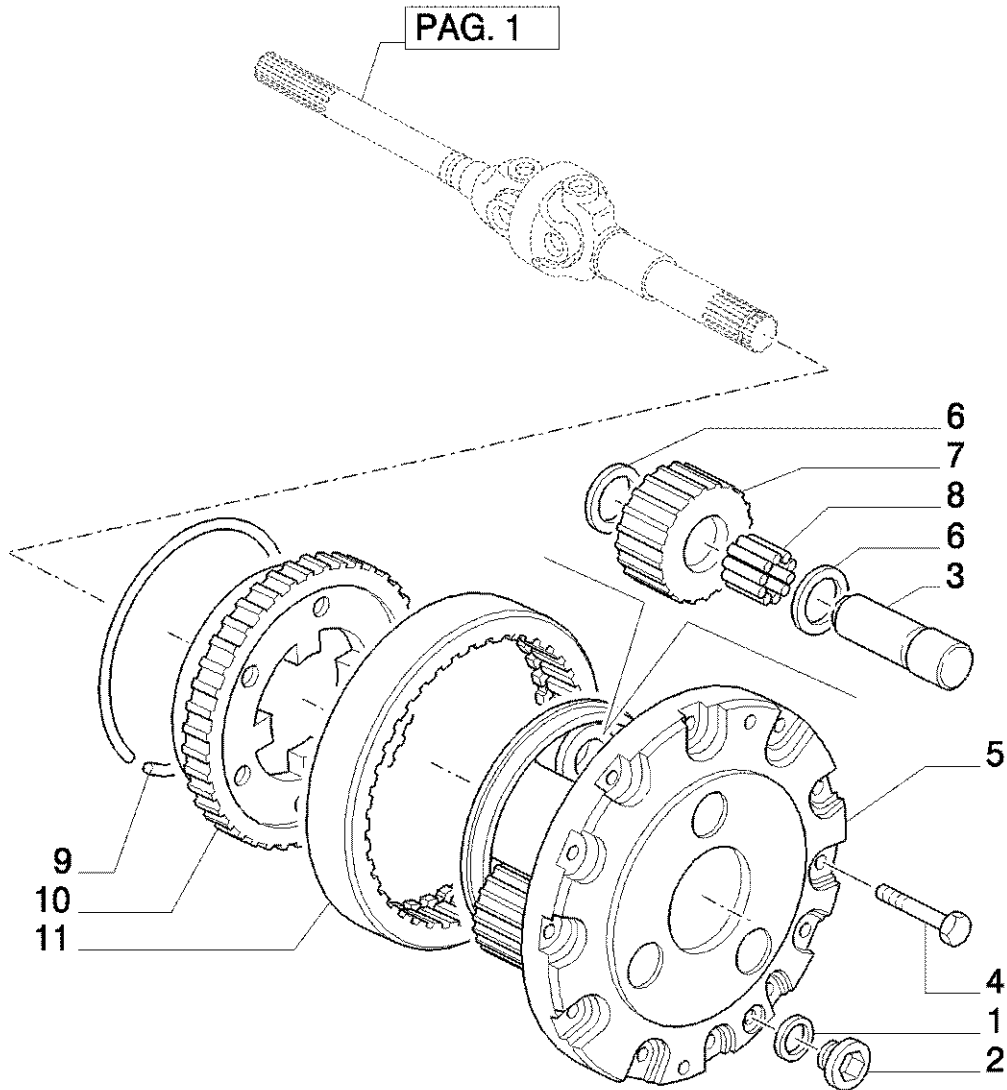
Ref	Onderdeelnummer	Kwt	Beschrijving
1	5162456	1	DIFFERENTIEEL, ASSY
2	26799980	2	DRUKKNOP M SCHUIFROLLETJ,
3	14308221	8	SCHROEF, Hex Soc Hd, M10 x 1.25 x 65, 8.8,
4	9966303	1	SPANSTIFT,
5	9966306	2	SLUITRING,
6	9970166	1	KIT,
7	9966308	2	PLAAT,
8	9966309	10	SCHIJF,
9	9966310	8	PLAAT,



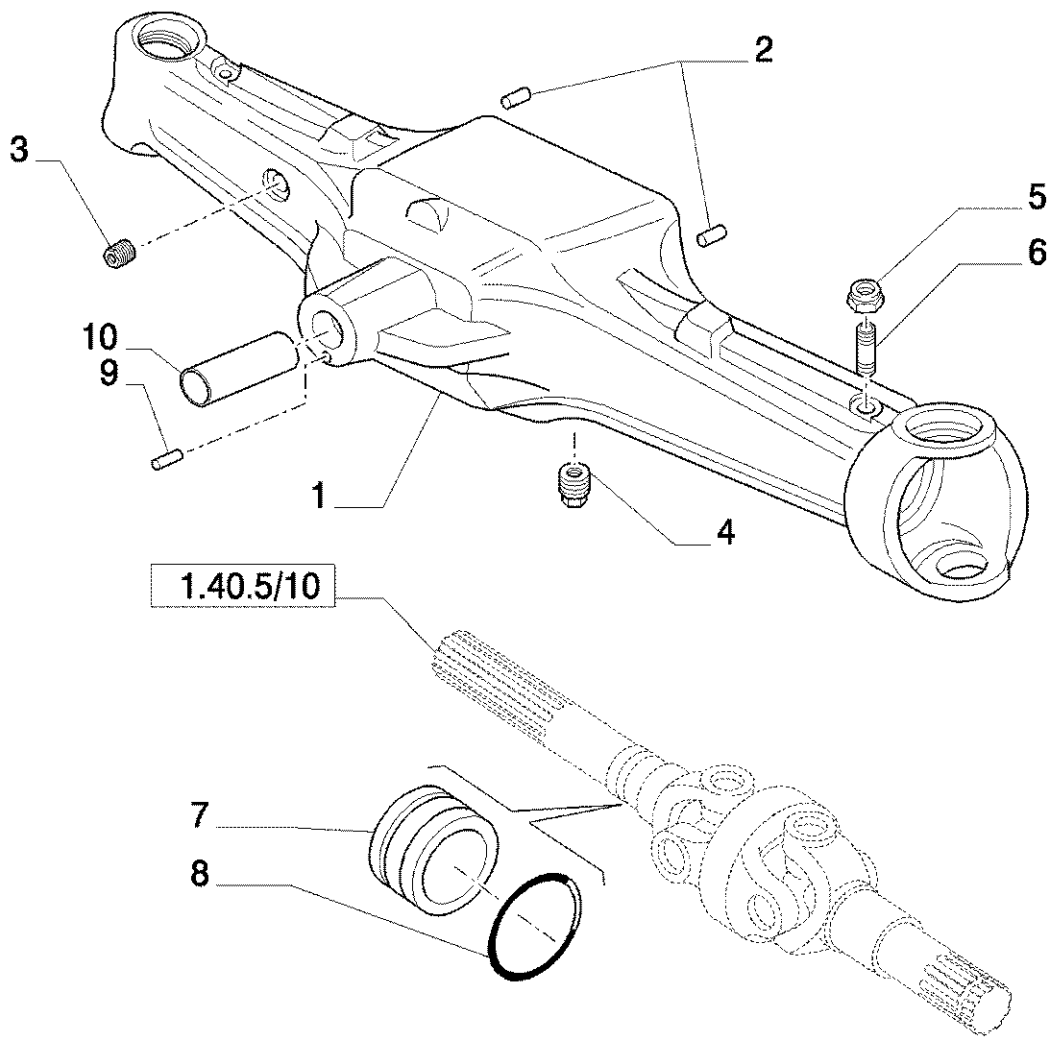
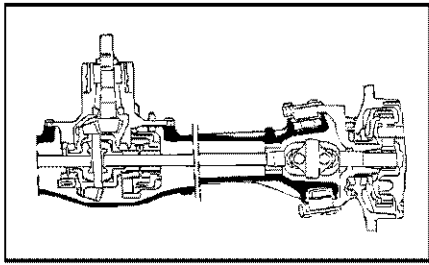
Ref	Onderdeelnummer	Kwt	Beschrijving
1	5186653	1	SCHNARNIERRENDE DRAAGAS, LH
1	5186652	1	SCHNARNIERRENDE DRAAGAS, RH
2	5184124	2	DICHTINGSRING, 47x65x16.5
3	11067876	2	RING, SNAP, M30, Ext,
4	11060676	4	BORGVEER, M55, Int,
5	28042460	2	LAGER, KOGEL, 30x55x13
6	5116701	2	DICHTINGSRING, 35x55
7	4997436	2	HOUDER,



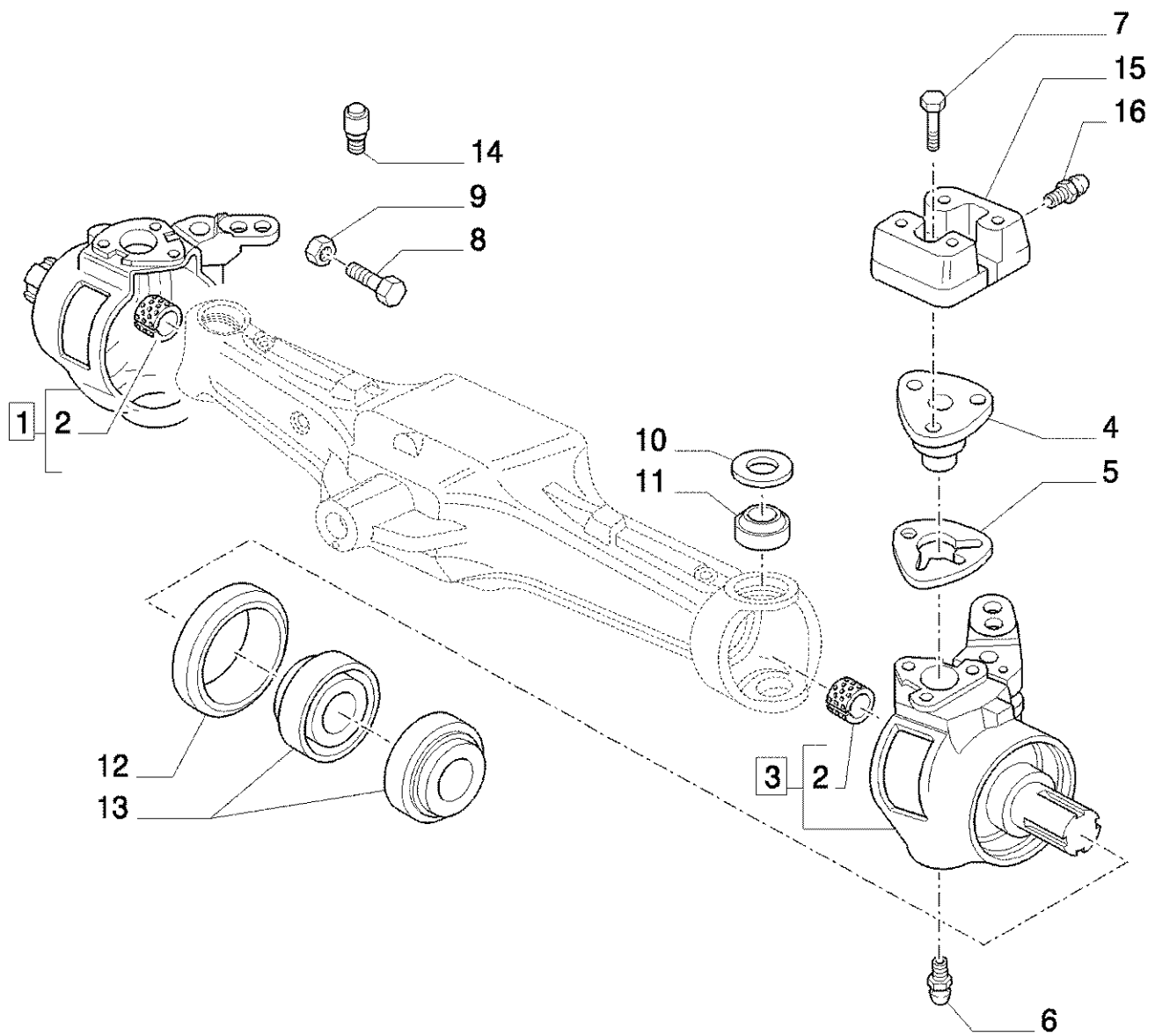
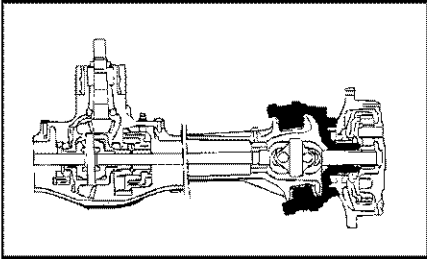
PAG. 1



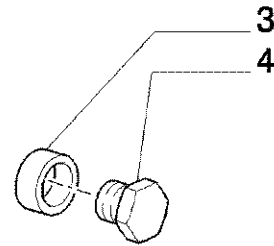
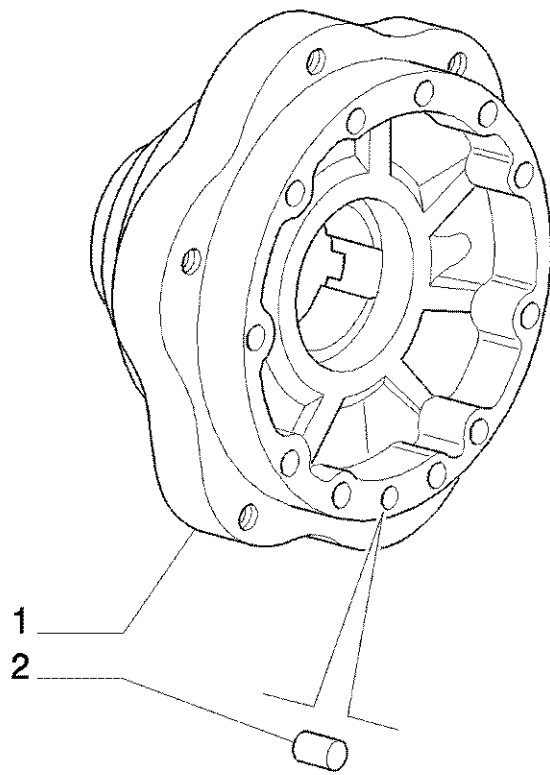
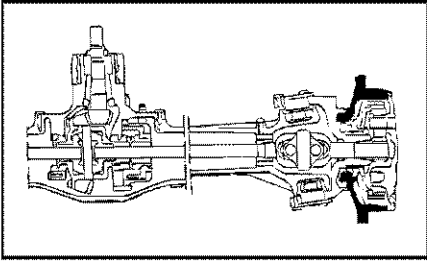
Ref	Onderdeelnummer	Kwt	Beschrijving
1	10263460	2	DICHTRING, M22.3 x 28 x 1.5,
2	10275011	2	PLUG, M22 x 1.5 x 13,
3	5181049	6	STEUN,
4	14233634	20	BOUT, Hex, M10 x 30,
5	5181049	2	STEUN, 30x55x13
6	4997510	12	SLUITRING DRUKPLAAT, MM.0.8
7	5169137	6	TANDWIEL,
8	5101693	6	STEL RINGEN +0.8,
9	5165162	2	SLUITRING,
10	5173284	2	STEUN,
11	5165273	2	KROONWIEL,



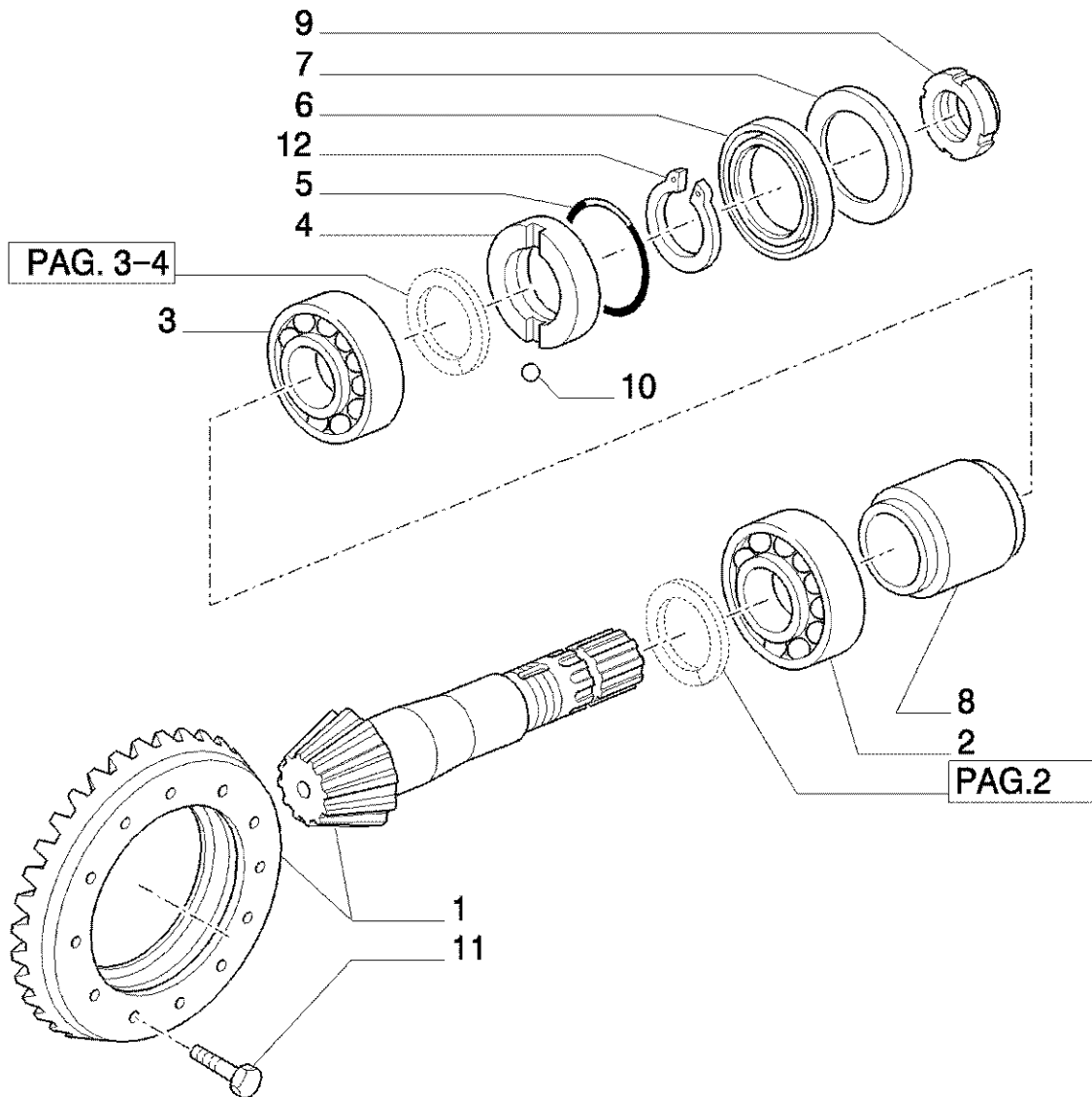
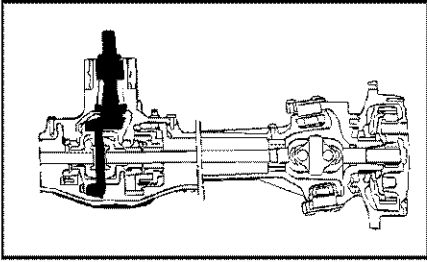
Ref	Onderdeelnummer	Kwt	Beschrijving
1	47131423	1	KAST,
2	5174376	2	STEL PEN,
3	14324411	1	PLUG,
4	14326211	1	PLUG, Magnetic
5	16101524	2	MOER, M12 x 1.25, CI 10,
6	87316865	2	SCHROEF, M12x1.25x53
6	87309002	2	KRACHTBRON, M12x1.25x65
7	4997348	2	LAGERBUS, 2.62x69.52, -C5243
7	87371275	2	LAGERBUS, , D5243-
8	14460680	1	O-RING, -148, 90 Duro, 2.737" ID x .103" Thk, 5x15, -C5243
8	14465680	1	O-RING, -238, 70 Duro, 3.484" ID x .139" Thk, , D5243-
9	4966244	1	STEL PEN,
10	47123533	1	PEN,



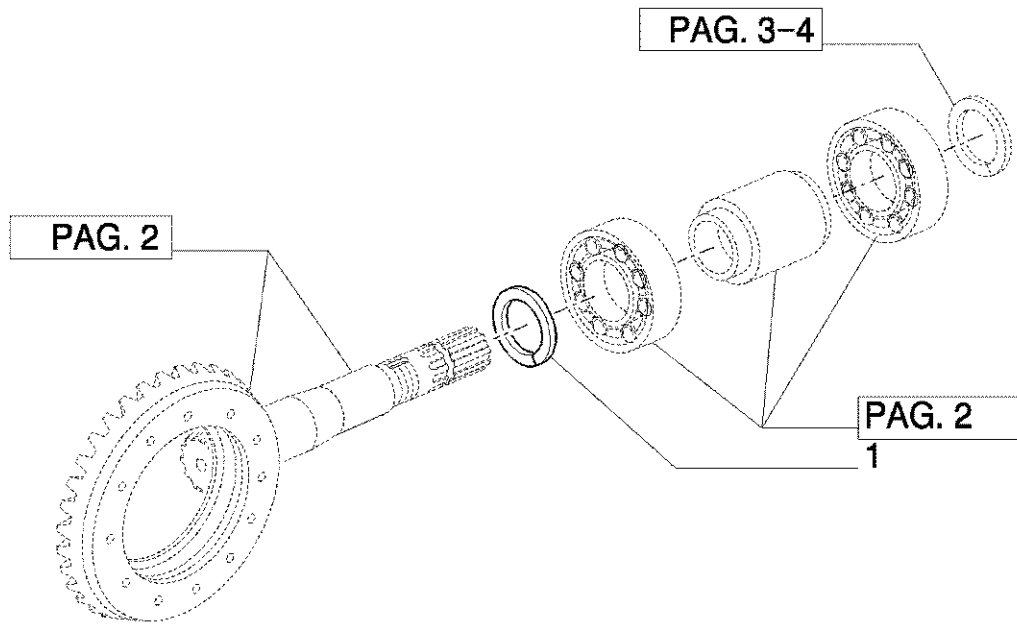
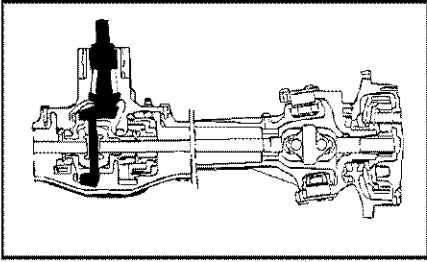
Ref	Onderdeelnummer	Kwt	Beschrijving
1	47125383	1	STUURGEWRIGHT, RH, ASSY
2	5105321	2	LAGERBUS, 45x50x30
3	47125380	1	STUURGEWRIGHT, LH, ASSY
4	5165271	3	KOGELPEN,
5	5100789	AR	DIKTEPLAAT, MM.0.10
5	5100790	AR	DIKTEPLAAT, MM.0.15
5	5100791	AR	DIKTEPLAAT, MM.0.20
5	5100792	AR	DIKTEPLAAT, MM.0.25
5	5100793	AR	DIKTEPLAAT, MM.0.30
6	5120532	1	SMEERNIPPEL, M14 x 1.5,
7	14233634	6	BOUT, Hex, M10 x 30,
7	14233934	4	BOUT, Hex, M10 x 1.25 x 45,
7	14233734	2	BOUT, Hex, M10 x 1.25 x 35, M10x35
8	5167638	2	SCHROEF,
8	5173991	2	SCHROEF,
9	10717624	2	MOER, Thin, M18 x 2.5, CI 05,
10	5122548	4	DICHTINGSRING, 50x60x7
11	24903780	4	DRUKKNOP M SCHUIFROLLETJ, 30x55x17
12	5177708	2	DICHTINGSSTUK, 165 x 190 x 15,5-17
13	5136951	4	DRUKKNOP M SCHUIFROLLETJ, 70x110x21
14	13413290	2	ONTLUCHTER,
15	13407211	2	SMEERNIPPEL, M10 x 1,
16	5182368	1	PLAAT, LH
16	5189839	1	PLAAT, RH



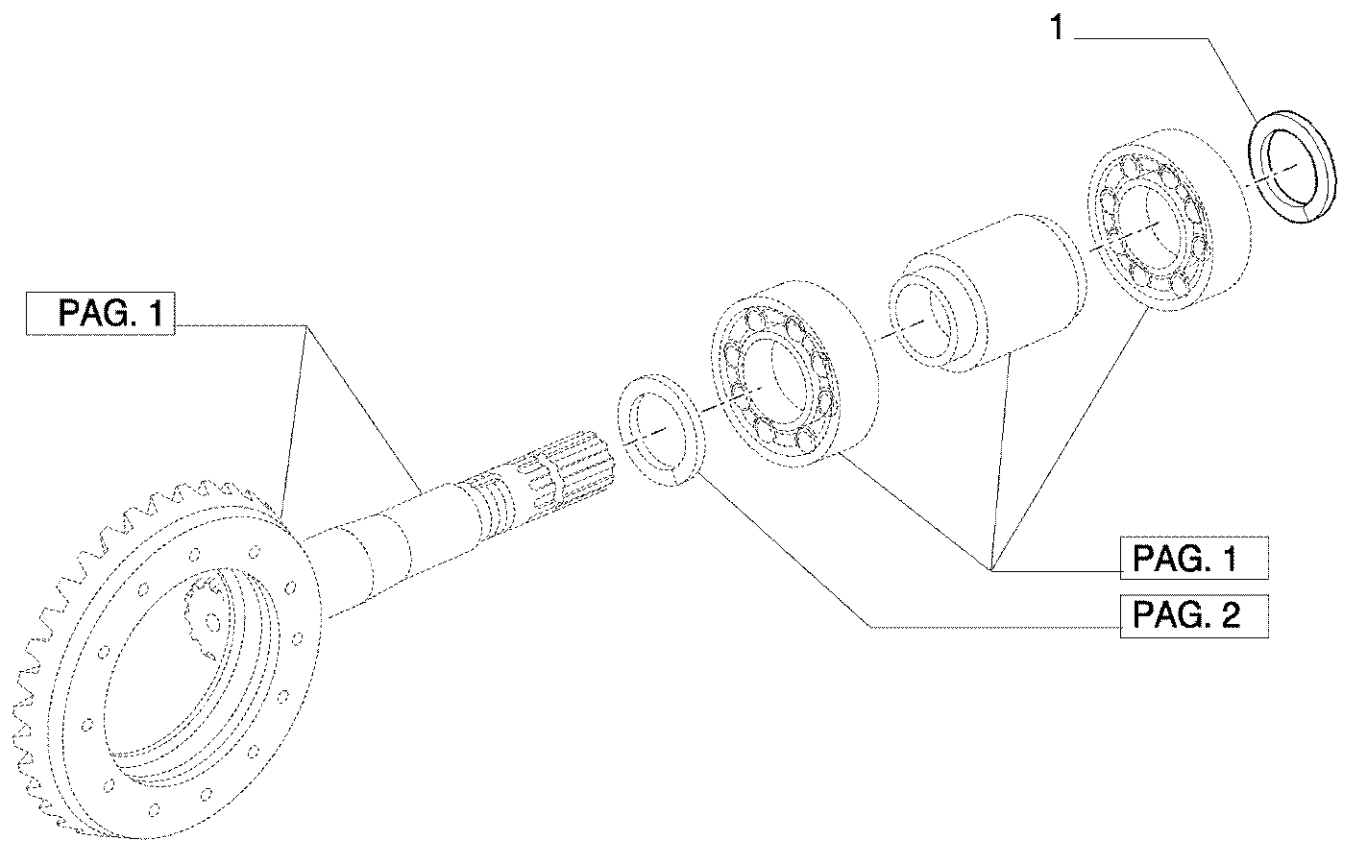
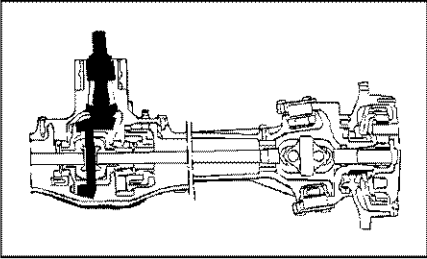
Ref	Onderdeelnummer	Kwt	Beschrijving
1	5178631	2	NAAF,
2	4988170	4	STEL PEN, 10x20
3	10282260	2	DICHTRING, M28.4 x 36 x 1.5, Copper,
4	10278301	2	PLUG, M28 x 1.5 x 11, Brass,



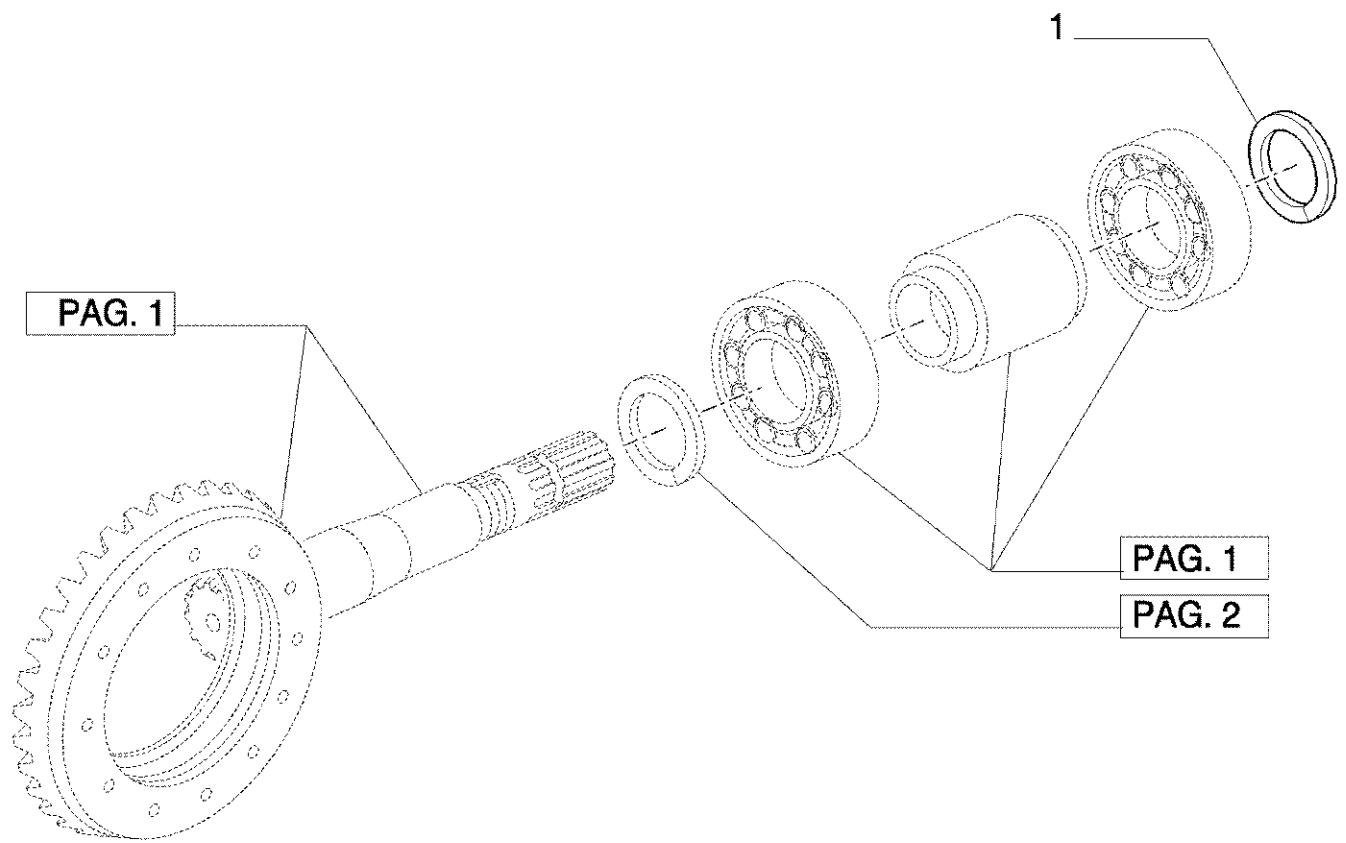
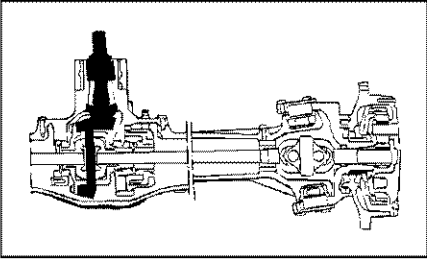
Ref	Onderdeelnummer	Kwt	Beschrijving
1	5173886	1	KONISCHE KOPPELINGEN, Ratio 10/30
2	5143109	1	DRUKKNOP M SCHUIFROLLETJ,
3	26799950	1	STEL RINGEN +0.8, 35 x 72 x 18.25
4	5142026	1	RING,
5	14454380	1	O-RING, -026, 70 Duro, 1.239" ID x .070" Thk, (M31.47 ID x 1.78 Thk)
6	5135294	1	DICHTINGSRING, 45x75x10/12
7	4997451	1	DICHTINGSBESCHERMING,
8	5169235	1	AFSTANDSRING,
9	5143242	1	PAKKINGMOER, M35x19.5
10	20419320	1	KOGEL, D=6.35
11	14274434	6	BOUT, Hex, M12 x 1.25 x 25,
12	11067776	1	RING, SNAP, M29, Ext,



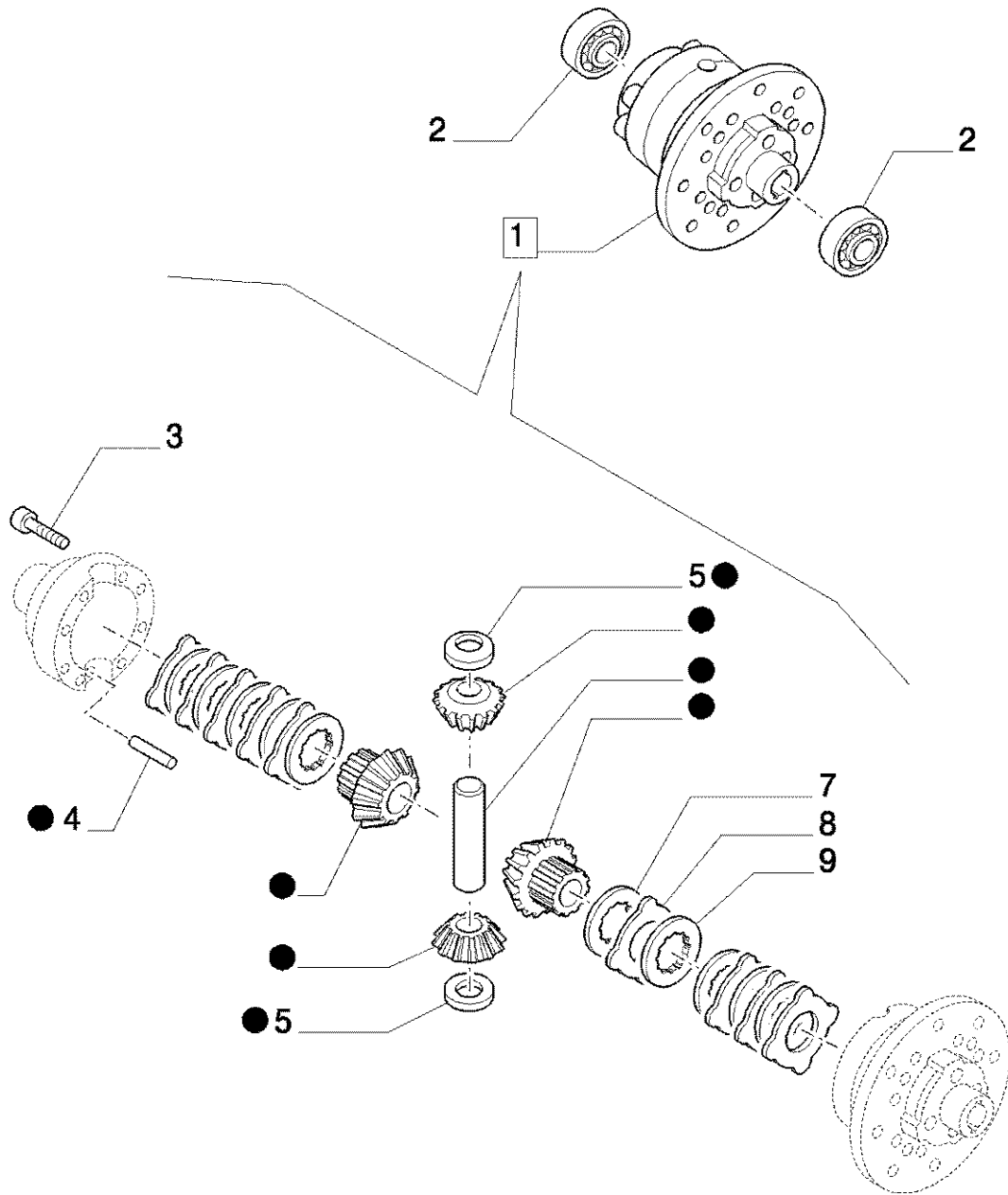
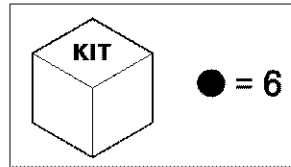
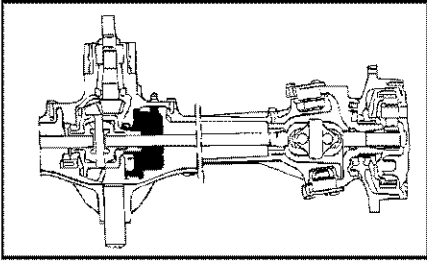
Ref	Onderdeelnummer	Kwt	Beschrijving
1	5142027	AR	DIKTEPLAAT, 2.5 mm Thk
1	5142028	AR	DIKTEPLAAT, 2.6 mm Thk
1	5142029	AR	DIKTEPLAAT, 2.7 mm Thk
1	5142030	AR	DIKTEPLAAT, 2.8 mm Thk
1	5142031	AR	DIKTEPLAAT, 2.9 mm Thk
1	5142032	AR	DIKTEPLAAT, 3 mm Thk
1	5142033	AR	DIKTEPLAAT, 3.1 mm Thk
1	5142034	AR	DIKTEPLAAT, 3.2 mm Thk
1	5142035	AR	DIKTEPLAAT, 3.3 mm Thk
1	5142036	AR	DIKTEPLAAT, 3.4 mm Thk
1	5142037	AR	DIKTEPLAAT, 3.5 mm Thk
1	5142038	AR	DIKTEPLAAT, 3.6 mm Thk
1	5142039	AR	DIKTEPLAAT, 3.7 mm Thk
1	5087435	AR	PACKAGE, SHIMS, 41.4x58



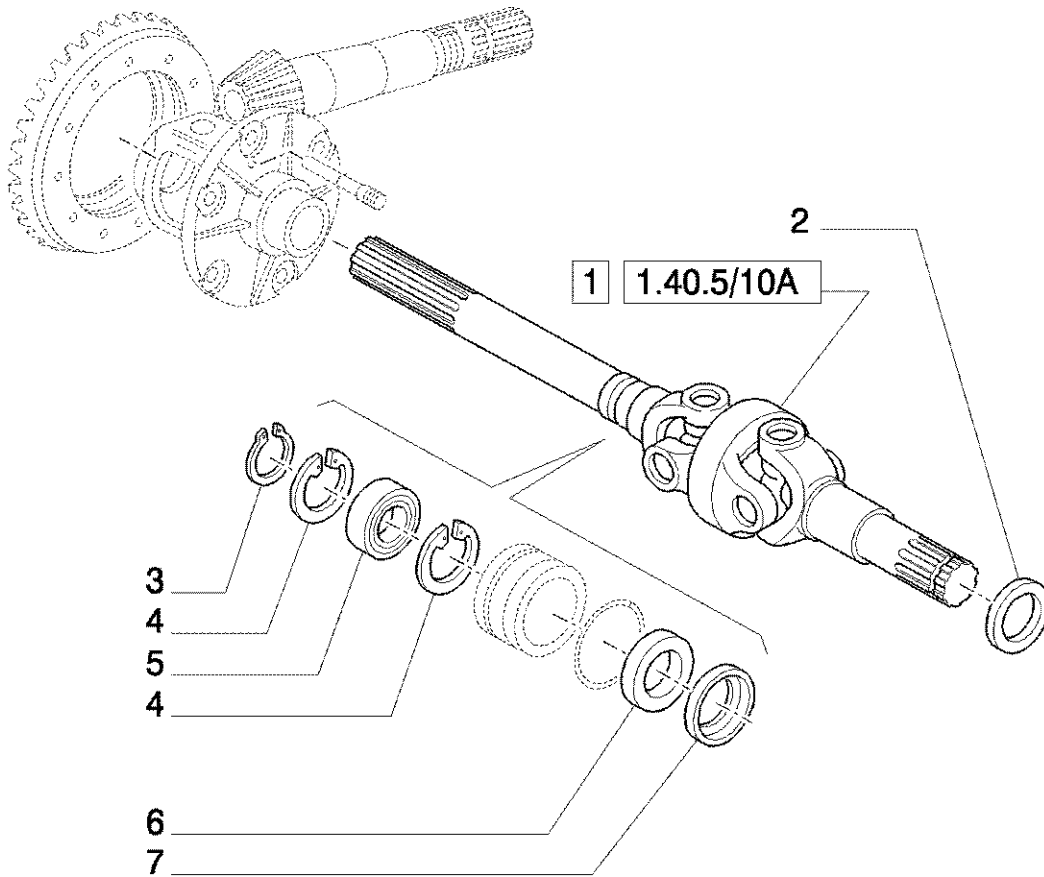
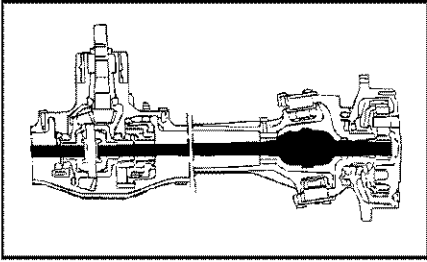
Ref	Onderdeelnummer	Kwt	Beschrijving
1	5101236	AR	DIKTEPLAAT, MM.3.50
1	5101237	AR	DIKTEPLAAT, MM.3.60
1	5101238	AR	DIKTEPLAAT, MM.3.70
1	5129161	AR	DIKTEPLAAT, MM.3.55
1	5129162	AR	DIKTEPLAAT, MM.3.65
1	5169313	AR	DIKTEPLAAT, MM.3.75
1	5169314	AR	DIKTEPLAAT, MM.3.80
1	5169315	AR	DIKTEPLAAT, MM.3.85
1	5169316	AR	DIKTEPLAAT, MM.3.90
1	5169317	AR	DIKTEPLAAT, MM.3.95
1	5169318	AR	DIKTEPLAAT, MM.4.00
1	5169319	AR	DIKTEPLAAT, MM.4.05
1	5169320	AR	DIKTEPLAAT, MM.4.10



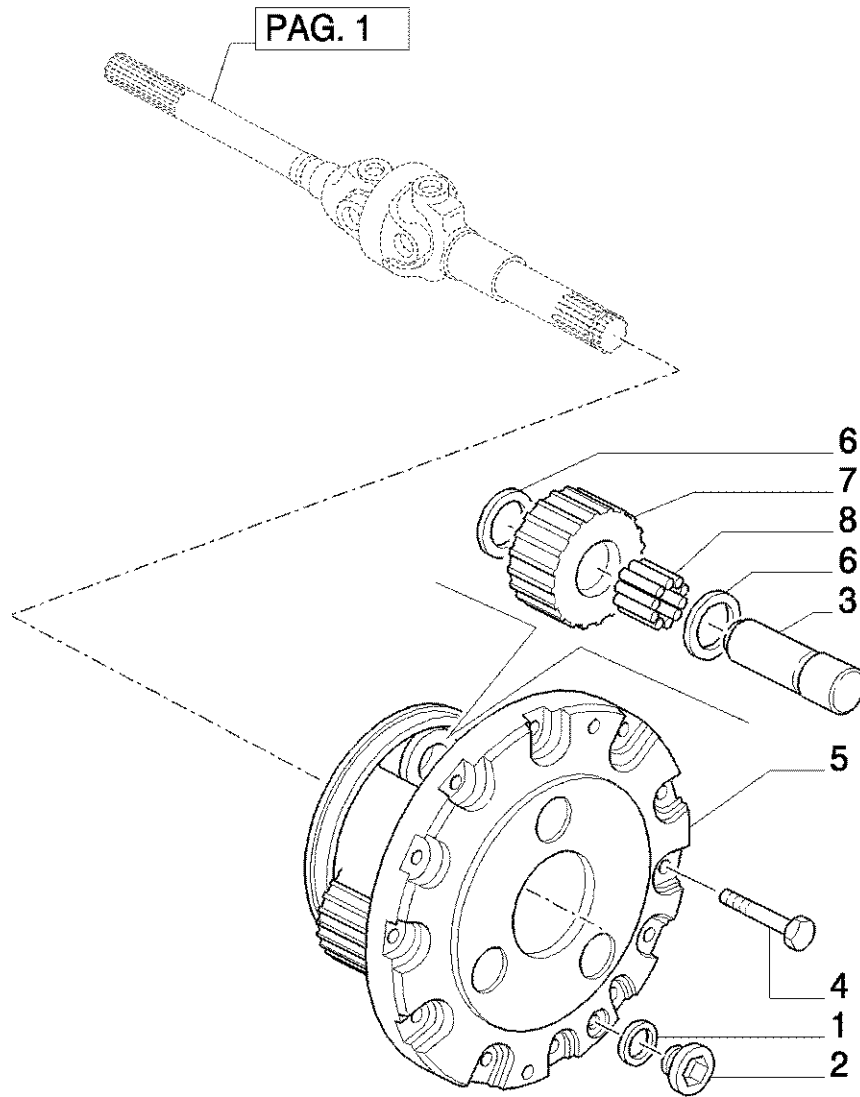
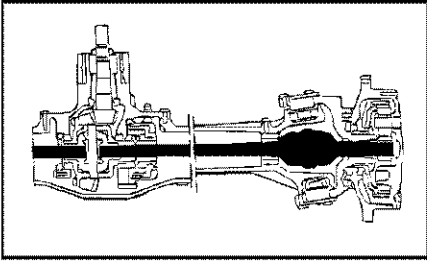
Ref	Onderdeelnummer	Kwt	Beschrijving
1	5169321	AR	DIKTEPLAAT, 4.15 MM
1	5169322	AR	DIKTEPLAAT, 4.20 MM
1	5169323	AR	DIKTEPLAAT, 4.25 MM
1	5169324	AR	DIKTEPLAAT, 4.30 MM
1	5169325	AR	DIKTEPLAAT, 4.35 MM
1	5169326	AR	DIKTEPLAAT, 4.40 MM
1	5169327	AR	DIKTEPLAAT, 4.45 MM
1	5169328	AR	DIKTEPLAAT, 4.50 MM
1	5169329	AR	DIKTEPLAAT, 4.55 MM
1	5169330	AR	DIKTEPLAAT, 4.60 MM
1	5169331	AR	DIKTEPLAAT, 4.65 MM
1	5169332	AR	DIKTEPLAAT, 4.70 MM
1	5169333	AR	DIKTEPLAAT, 4.75 MM
1	5169334	AR	DIKTEPLAAT, 4.80 MM



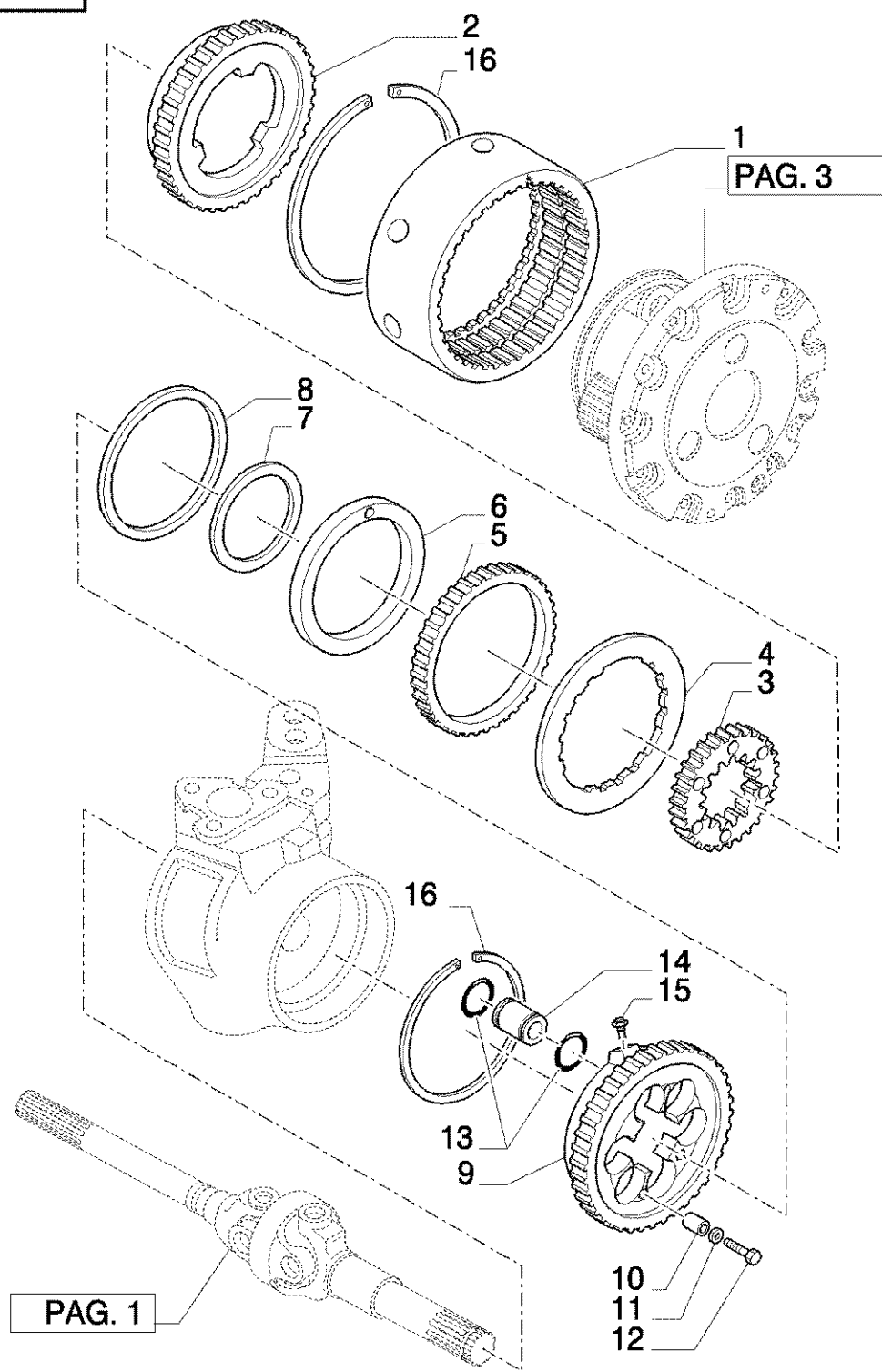
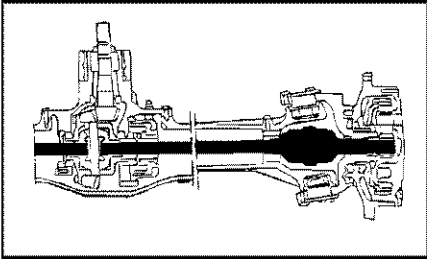
Ref	Onderdeelnummer	Kwt	Beschrijving
1	5162456	1	DIFFERENTIEEL, ASSY
2	26799980	2	DRUKKNOP M SCHUIFROLLETJ,
3	14308221	8	SCHROEF, Hex Soc Hd, M10 x 1.25 x 65, 8.8,
4	9966303	1	SPANSTIFT,
5	9966306	2	SLUITRING,
6	9970166	1	KIT,
7	9966308	2	PLAAT,
8	9966309	10	SCHIJF,
9	9966310	8	PLAAT,



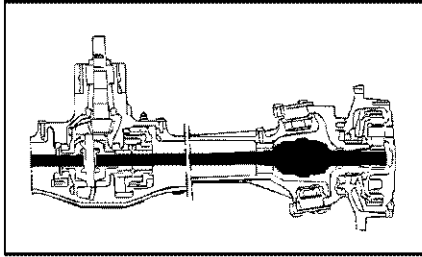
Ref	Onderdeelnummer	Kwt	Beschrijving
1	5186661	1	SCHNARNIERRENDE DRAAGAS, RH
1	5186660	1	SCHNARNIERRENDE DRAAGAS, LH
2	5184124	2	DICHTINGSRING, 47x65x16.5
3	11067876	2	RING, SNAP, M30, Ext,
4	11060676	4	BORGVEER, M55, Int,
5	28042460	2	LAGER, KOGEL, 30x55x13
6	5116701	2	DICHTINGSRING, 35x55
7	4997436	2	HOUDER,



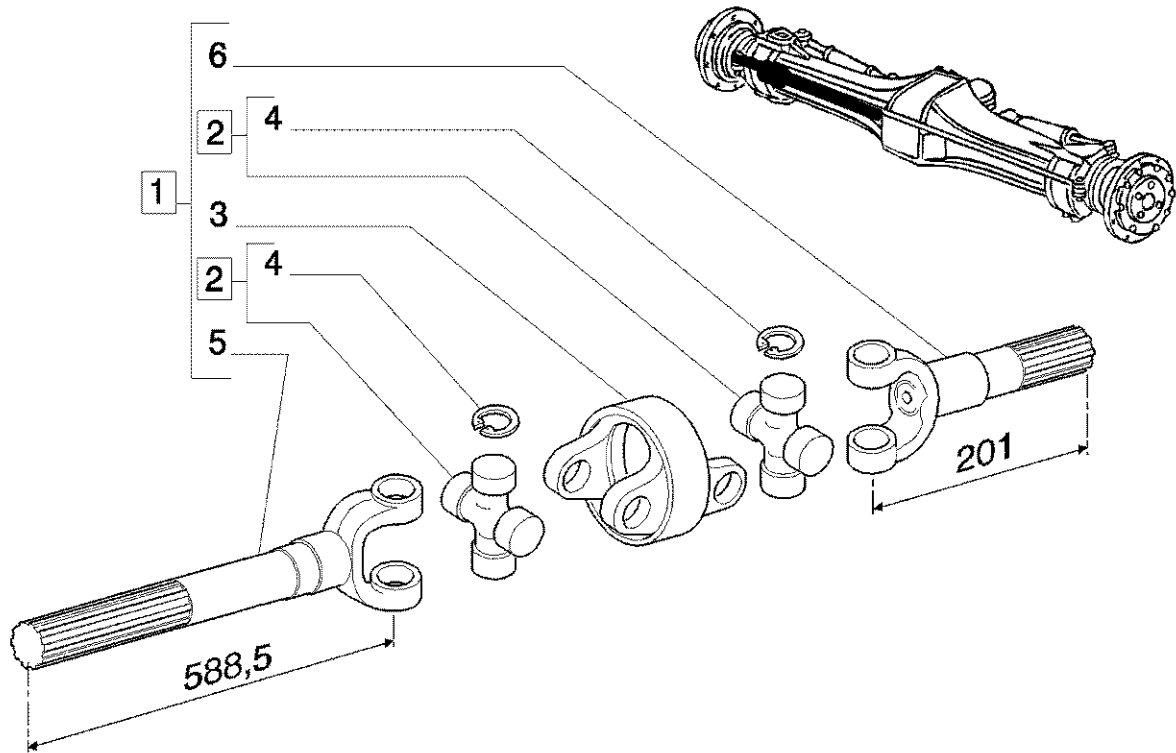
Ref	Onderdeelnummer	Kwt	Beschrijving
1	10263460	2	DICHTRING, M22.3 x 28 x 1.5,
2	10275011	2	PLUG, M22 x 1.5 x 13,
3	5181050	6	PEN,
4	14233634	20	BOUT, Hex, M10 x 30,
5	5181049	2	STEUN, ASSY
6	4997510	12	SLUITRING DRUKPLAAT, MM.0.8
7	5169137	3	TANDWIEL,
8	5101693	6	STEL RINGEN +0.8,



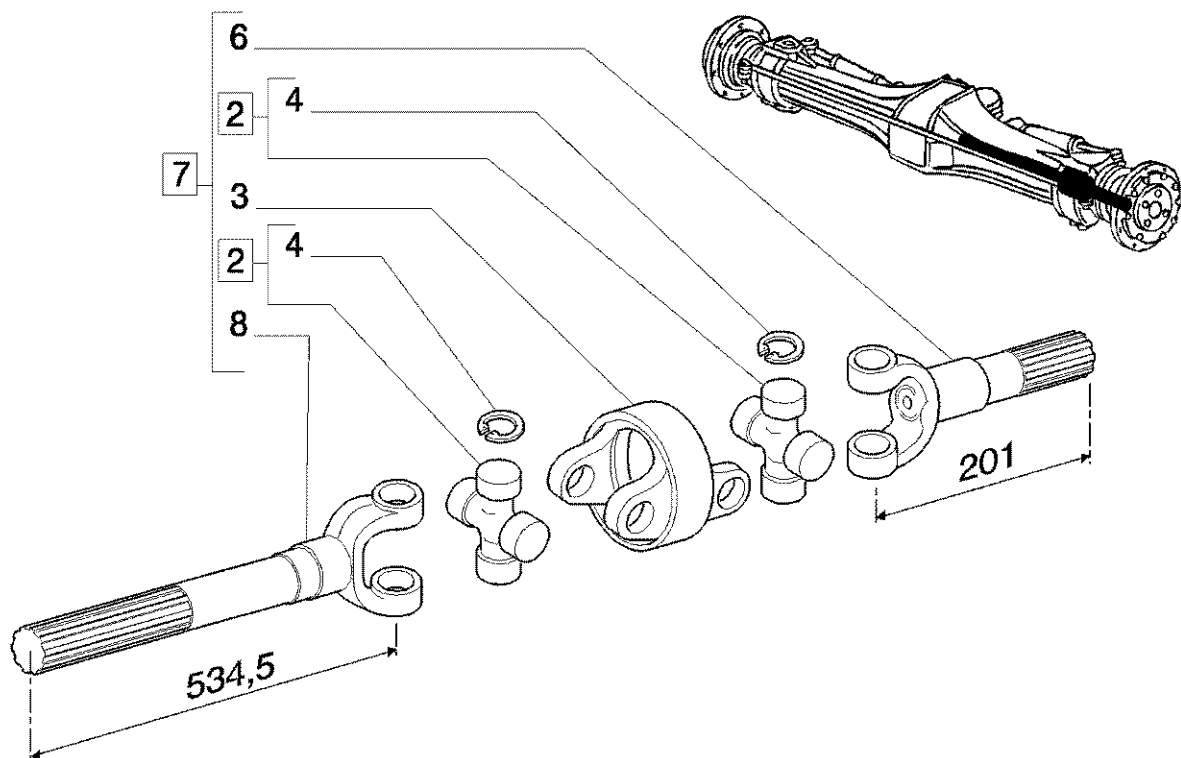
Ref	Onderdeelnummer	Kwt	Beschrijving
1	5178603	2	KROONWIEL,
2	5178605	2	SCHIJF,
3	5178606	2	NAAF,
4	5178600	2	REMSCHIJF,
5	5178588	2	SCHIJF,
6	5173498	2	LAGERBUS,
7	5178747	2	DICHTINGSRING,
8	5178746	2	DICHTINGSRING,
9	5173500	2	HUIS,
10	5179292	12	LAGERBUS,
11	11190679	12	WASHER, SPRING, Belleville, M10.5,
12	16323830	12	BOUT, Hex, M10 x 1.25 x 45,
13	14456980	4	O-RING, -111, 70 Duro, .424" ID x .103" Thk,
14	5173504	2	PAWL,
15	5153030	2	SCHROEF, ONTLUCHTING,
16	5173730	4	SLUITRING,



FOR RIGHT WHEEL

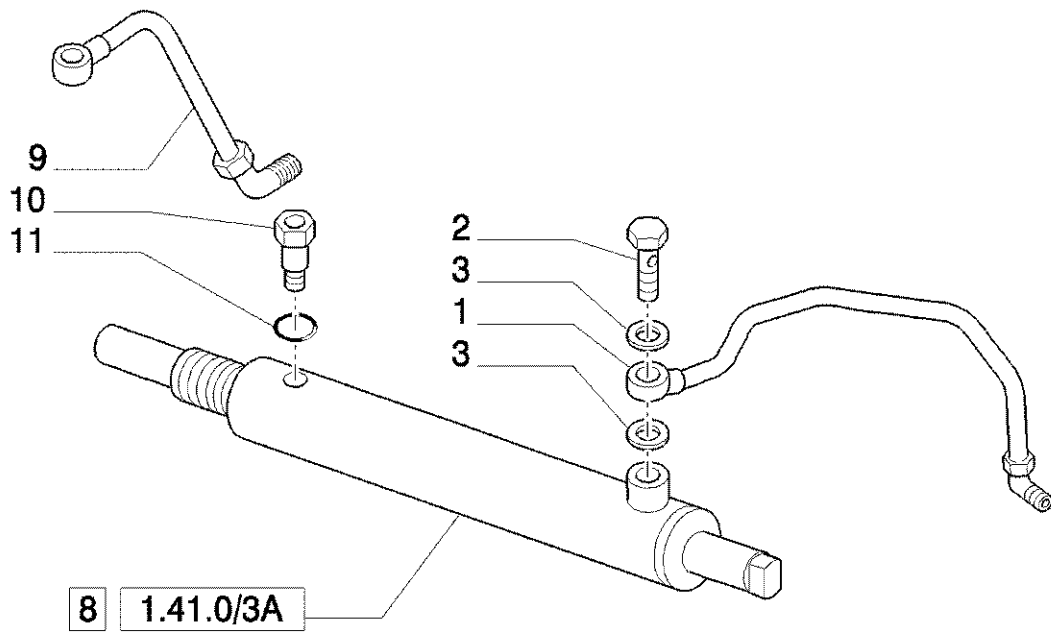
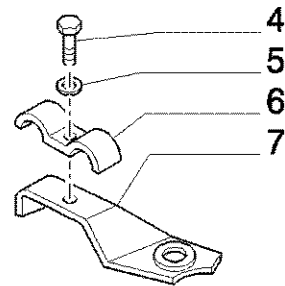
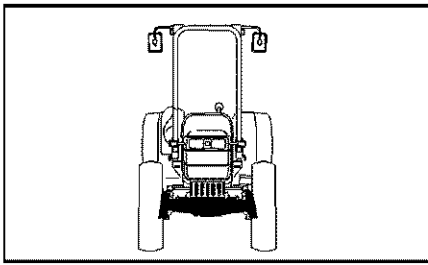


FOR LEFT WHEEL

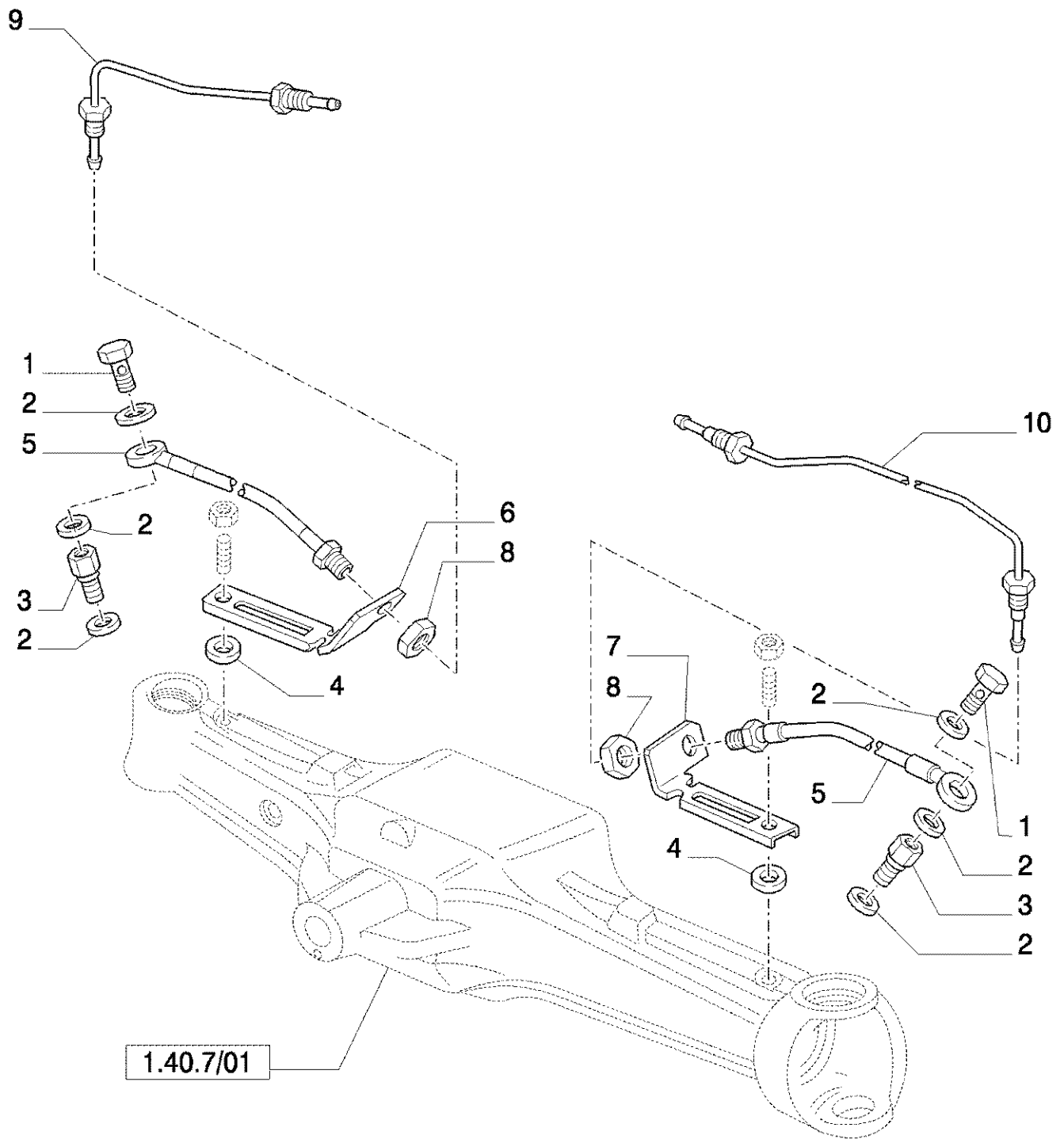
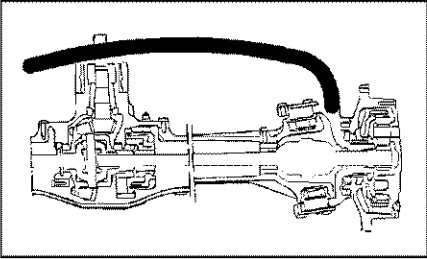


1.40.5/10A DRAAIBARE VOORAS - AS DIFFERENTIAAL - COMPONENTEN

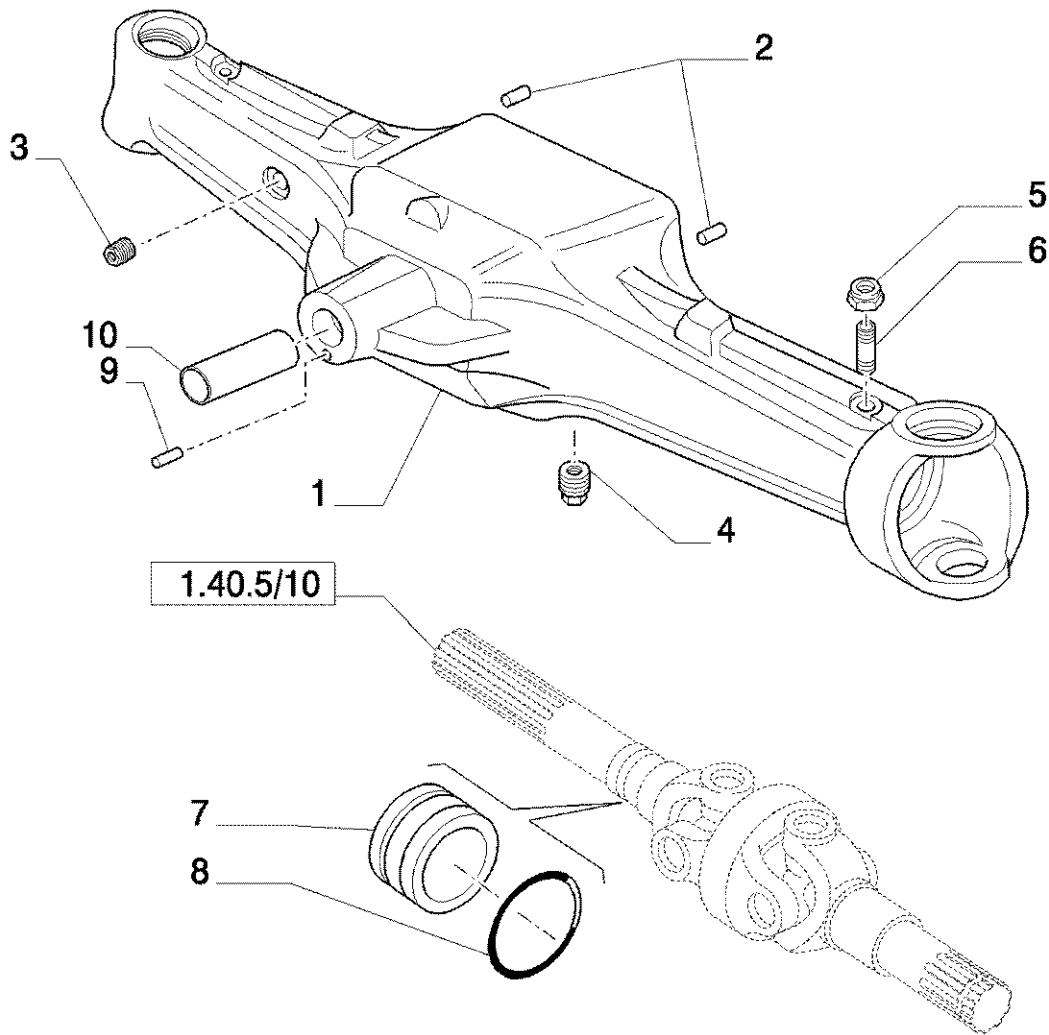
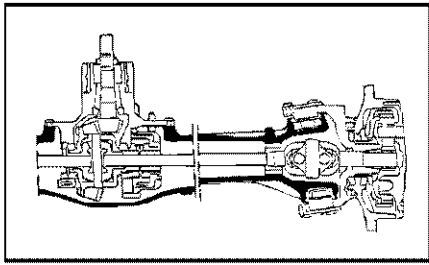
Ref	Onderdeelnummer	Kwt	Beschrijving
1	5186661	1	SCHNARNIERRENDE DRAAGAS, RH
2	5191024	2	DWARSTUK,
3	5191027	1	VORK,
4	80278643	8	BORGVEER,
5	5191421	1	VORK, LH
6	5191419	1	VORK,
7	5186660	1	SCHNARNIERRENDE DRAAGAS,
8	5191420	1	VORK,



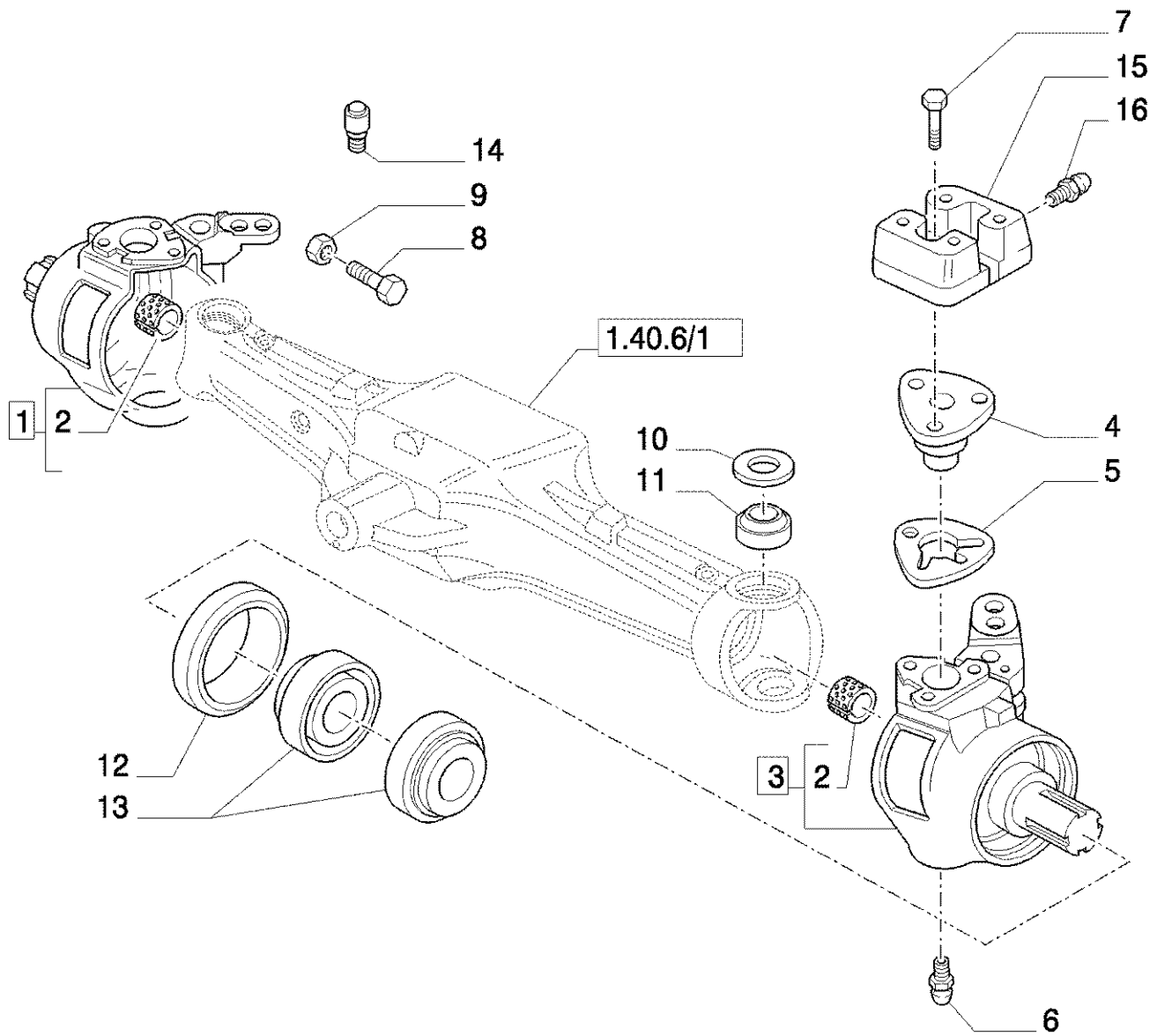
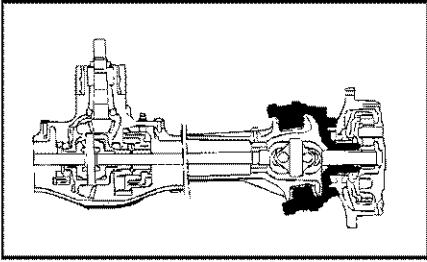
Ref	Onderdeelnummer	Kwt	Beschrijving
1	47131857	1	VASTE BUIS,
2	10184311	1	VERBINDINGSBOUT,
3	44906168	2	DICHTINGSRING, 14.86x22.23
5	11197774	1	WASHER, SPRING, Belleville, M6.4,
6	4999554	1	KLEM,
7	47131784	1	STEUNBEUGEL,
8	5198486	1	SERVOSTUURCYLINDER, , BSN HJE024693
8	47136495	1	SERVOSTUURCYLINDER, , ASN HJE024694
9	47124110	1	VASTE BUIS,
10	47124202	1	VERBINDING,
11	14437785	1	O-RING, 11.3MM ID x 2.4 Thk,
4	10902224	1	BOUT, Hex, M6 x 16, 8.8, Full Thd,



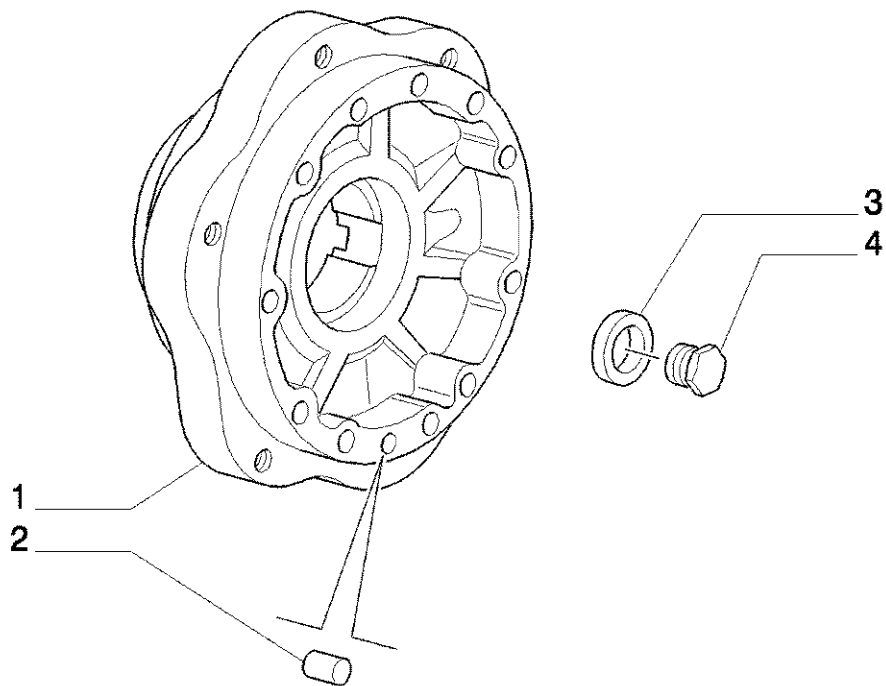
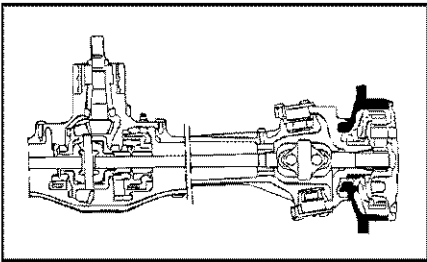
Ref	Onderdeelnummer	Kwt	Beschrijving
1	5155703	2	VERBINDINGSBOUT, M12x22
2	10298460	6	WASHER, COPPER, M12.2 x 18 x 1.5, Copper,
3	5182367	2	VERBINDING,
4	10520021	2	SLUITRING, M12 x 22 x 3,
5	5155700	2	FLEXIBELE SLANG,
6	5182988	1	STEUNBEUGEL, RH
7	5182989	1	ELLEBOOG, LH
8	10718114	2	NUT, LOCK, M16 x 1, CI 04,
9	47132777	1	VASTE BUIS, RH
10	47132778	1	VASTE BUIS, LH



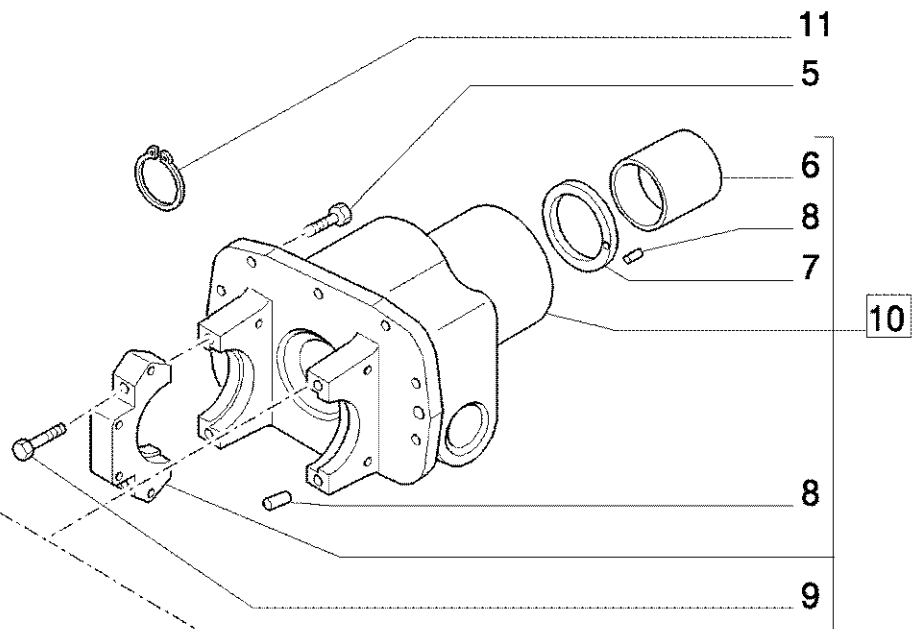
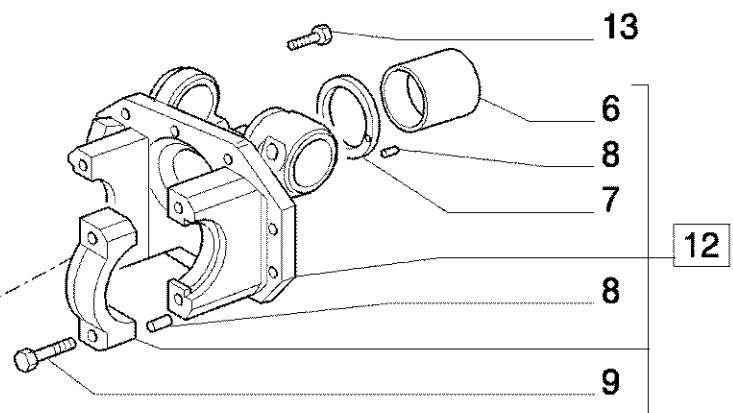
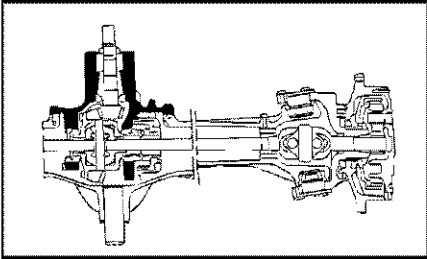
Ref	Onderdeelnummer	Kwt	Beschrijving
1	47131423	1	KAST,
2	5174376	2	STEL PEN,
3	14324411	1	PLUG,
4	14326211	1	PLUG, Magnetic
5	16101524	2	MOER, M12 x 1.25, CI 10,
6	87316865	2	SCHROEF, M12x1.25x53
6	87309002	2	KRACHTBRON, M12x1.25x65
7	4997348	2	LAGERBUS, , -C5243
7	87371275	2	LAGERBUS, , D5243-
8	14460680	2	O-RING, -148, 90 Duro, 2.737" ID x .103" Thk, , -C5243
8	14465680	2	O-RING, -238, 70 Duro, 3.484" ID x .139" Thk, , D5243-
9	4966244	1	STEL PEN, 5x15
10	47123533	1	PEN,



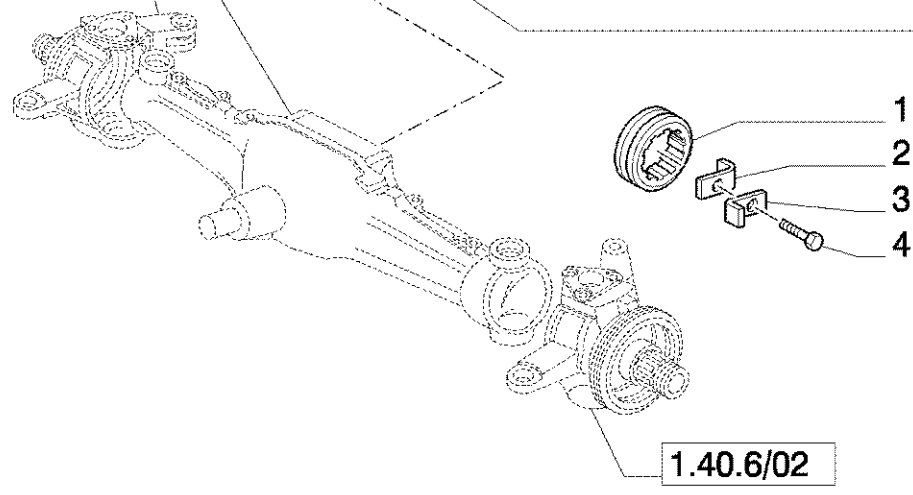
Ref	Onderdeelnummer	Kwt	Beschrijving
1	47125383	1	STUURGEWRIGHT, RH
2	5105321	2	LAGERBUS, 45x50x30
3	47125380	1	STUURGEWRIGHT, LH
4	5165271	4	KOGELPEN,
5	5100789	AR	DIKTEPLAAT, MM.0.10
5	5100790	AR	DIKTEPLAAT, MM.0.15
5	5100791	AR	DIKTEPLAAT, MM.0.20
5	5100792	AR	DIKTEPLAAT, MM.0.25
5	5100793	AR	DIKTEPLAAT, MM.0.30
6	5120532	2	SMEERNIPPEL, M14 x 1.5,
7	14233634	6	BOUW, Hex, M10 x 30,
7	14233934	4	BOUW, Hex, M10 x 1.25 x 45,
7	14233734	2	BOUW, Hex, M10 x 1.25 x 35, M10x35
8	5167638	2	SCHROEF,
8	5173991	2	SCHROEF,
9	10717624	2	MOER, Thin, M18 x 2.5, CI 05,
10	5122548	4	DICHTINGSRING, 50x60x7
11	24903780	4	DRUKKNOP M SCHUIFROLLETJ, ASSY 30x55x17
12	5177708	2	DICHTINGSSTUK, 165 x 190 x 15,5-17
13	5136951	4	DRUKKNOP M SCHUIFROLLETJ, ASSY 70x110x21
14	13413290	2	ONTLUCHTER,
15	13407211	2	SMEERNIPPEL, M10 x 1,
16	5182368	1	PLAAT, LH
16	5189839	1	PLAAT, RH



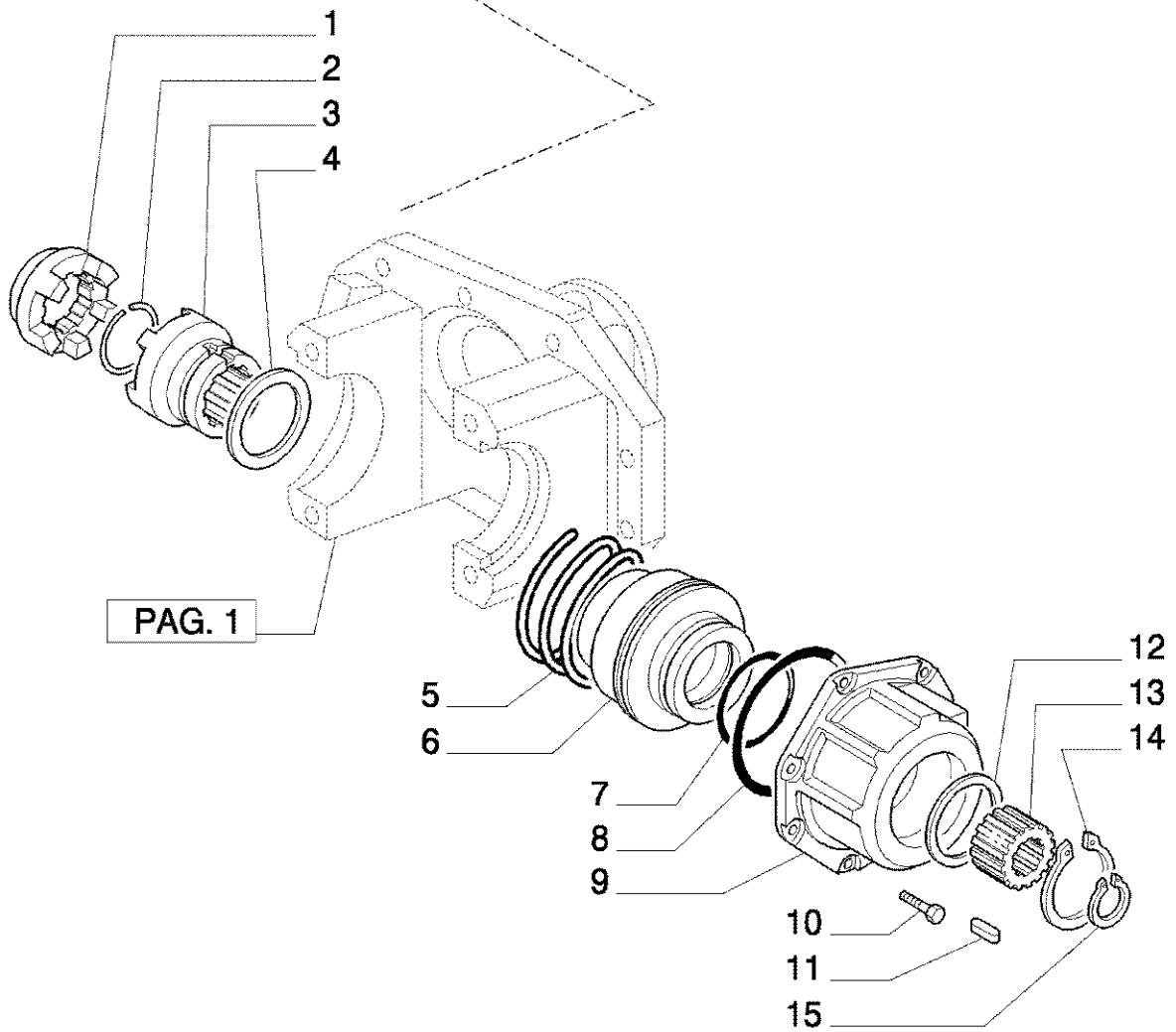
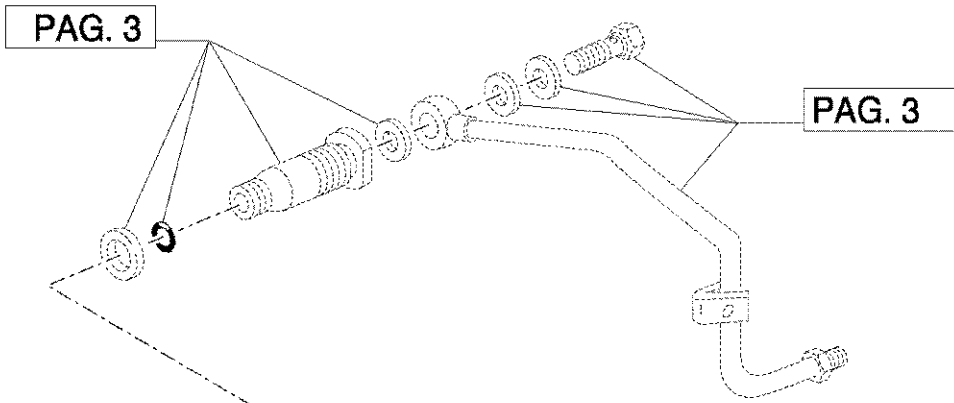
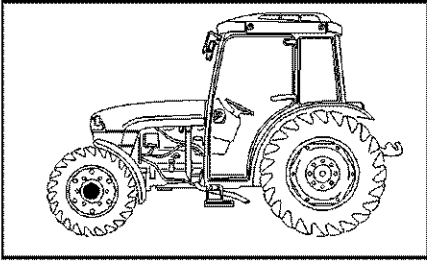
Ref	Onderdeelnummer	Kwt	Beschrijving
1	5178631	2	NAAF,
2	4988170	4	STEL PEN, 10x20
3	10282260	2	DICHTRING, M28.4 x 36 x 1.5, Copper,
4	10278301	2	PLUG, M28 x 1.5 x 11, Brass,



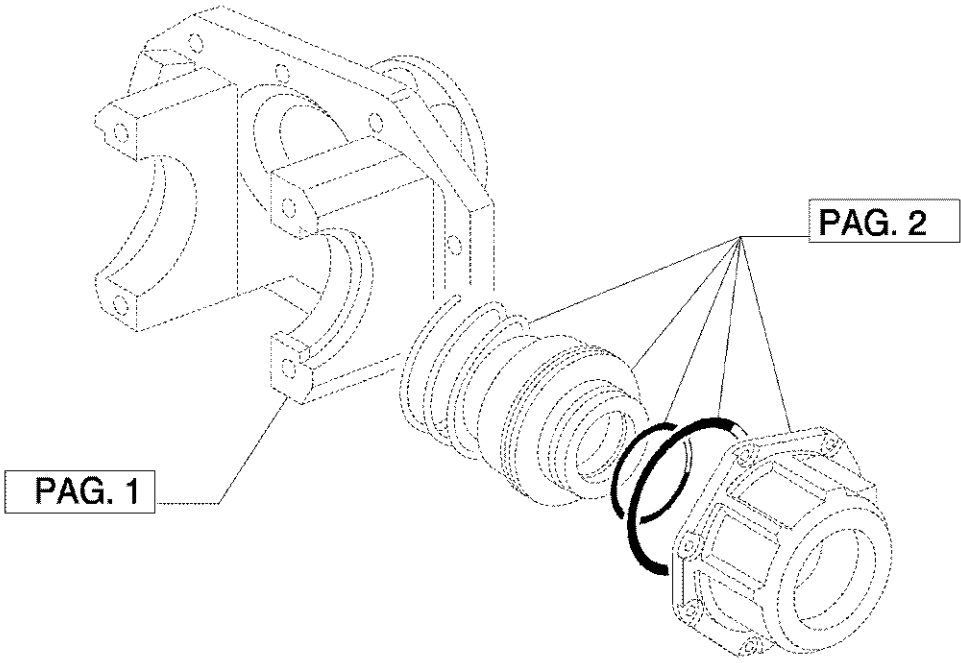
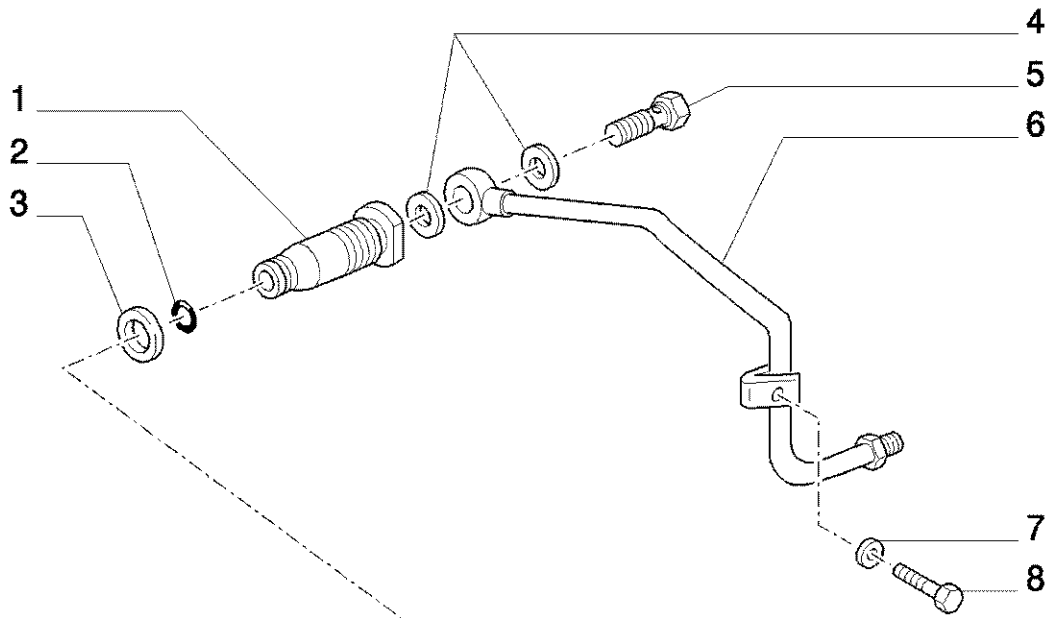
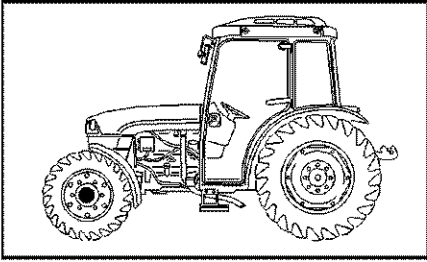
1.40.6/01
1.40.6/02



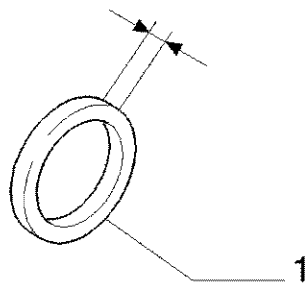
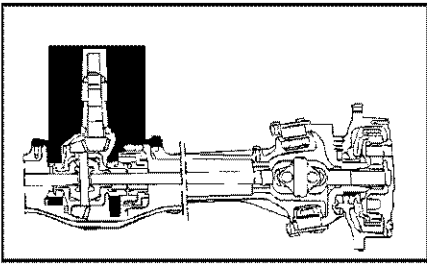
Ref	Onderdeelnummer	Kwt	Beschrijving
1	4966240	1	PAKKINGMOER, ASSY
2	4966243	1	KLEMPLAAT,
3	562659	1	PLAAT,
4	15970524	1	BOUT, Hex, M10 x 1.25 x 20, 8.8, Full Thd,
5	14274631	5	BOUT, Hex, M12 x 1.25 x 35, , BSN HJH055056
5	14274534	3	BOUT, Hex, M12 x 1.25 x 30, , BSN HJH055056
5	14274834	1	BOUT, Hex, M12 x 1.25 x 45, , BSN HJH055056
5	14275821	1	SCHROEF, M12x110, BSN HJH055056
6	5136120	1	LAGERBUS,
7	5136119	1	RING,
8	4966244	5	STEL PEN,
9	14275331	4	BOUT, Hex, M12 x 1.25 x 70,
10	5198485	1	STEUN, ASSY, BSN HJH055056
11	11062476	1	RING, SNAP, M90, Int,
12	87335147	1	STEUN, , ASN HJH055057
13	87332798	2	SCHROEF, M12x1.5x120, ASN HJH055057
13	87323720	6	SCHROEF, M12x1.5x45, ASN HJH055057
13	87332797	3	SCHROEF, M12x1.5x35, ASN HJH055057



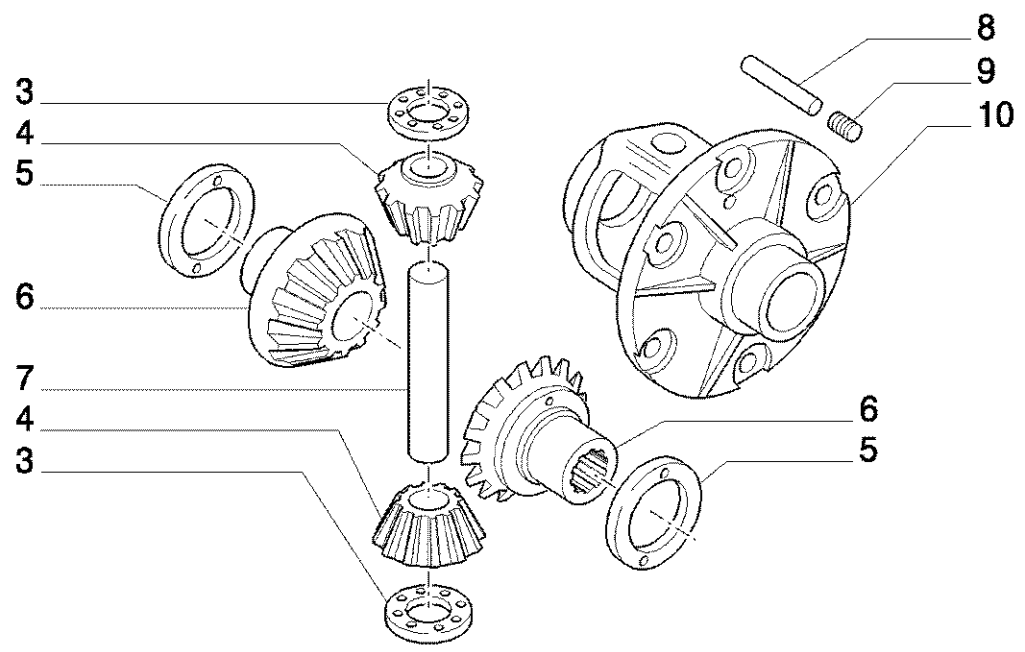
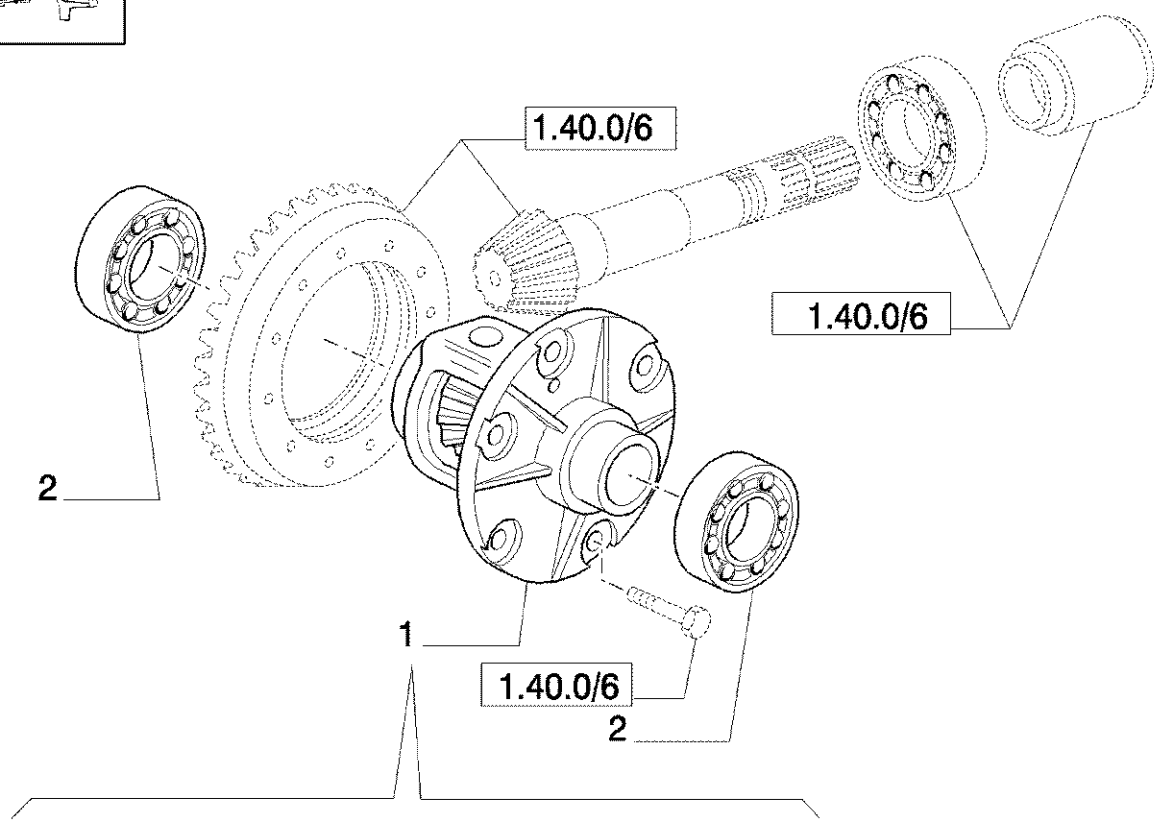
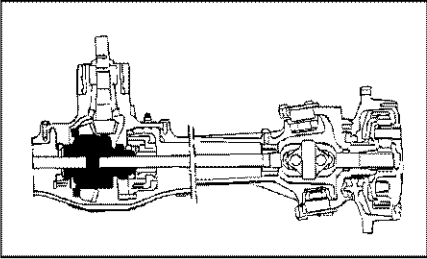
Ref	Onderdeelnummer	Kwt	Beschrijving
1	5167764	1	SLEEVE,
2	5167721	1	RING,
3	5167747	1	SLEEVE,
4	5167763	1	SLUITRING DRUKPLAAT,
5	5167827	1	VEER,
6	5167749	1	ZUIGER,
7	14465681	1	O-RING, -238, CI 7, 3.484" ID x .139" Thk,
8	14466581	1	O-RING, -247, CI 7, 4.609" ID x .139" Thk,
9	47123536	1	KLOKHUIS,
10	14307724	6	SCHROEF, Hex Soc Hd, M10 x 1.25 x 40, 8.8,
11	14724820	1	INLEGSPIE, Sq, M8 x 7 x 36,
12	5167748	1	SLUITRING DRUKPLAAT,
13	5167762	1	NAAF,
14	11070076	1	RING, SNAP, M65, Ext,
15	80370003	2	BORGVEER, M30



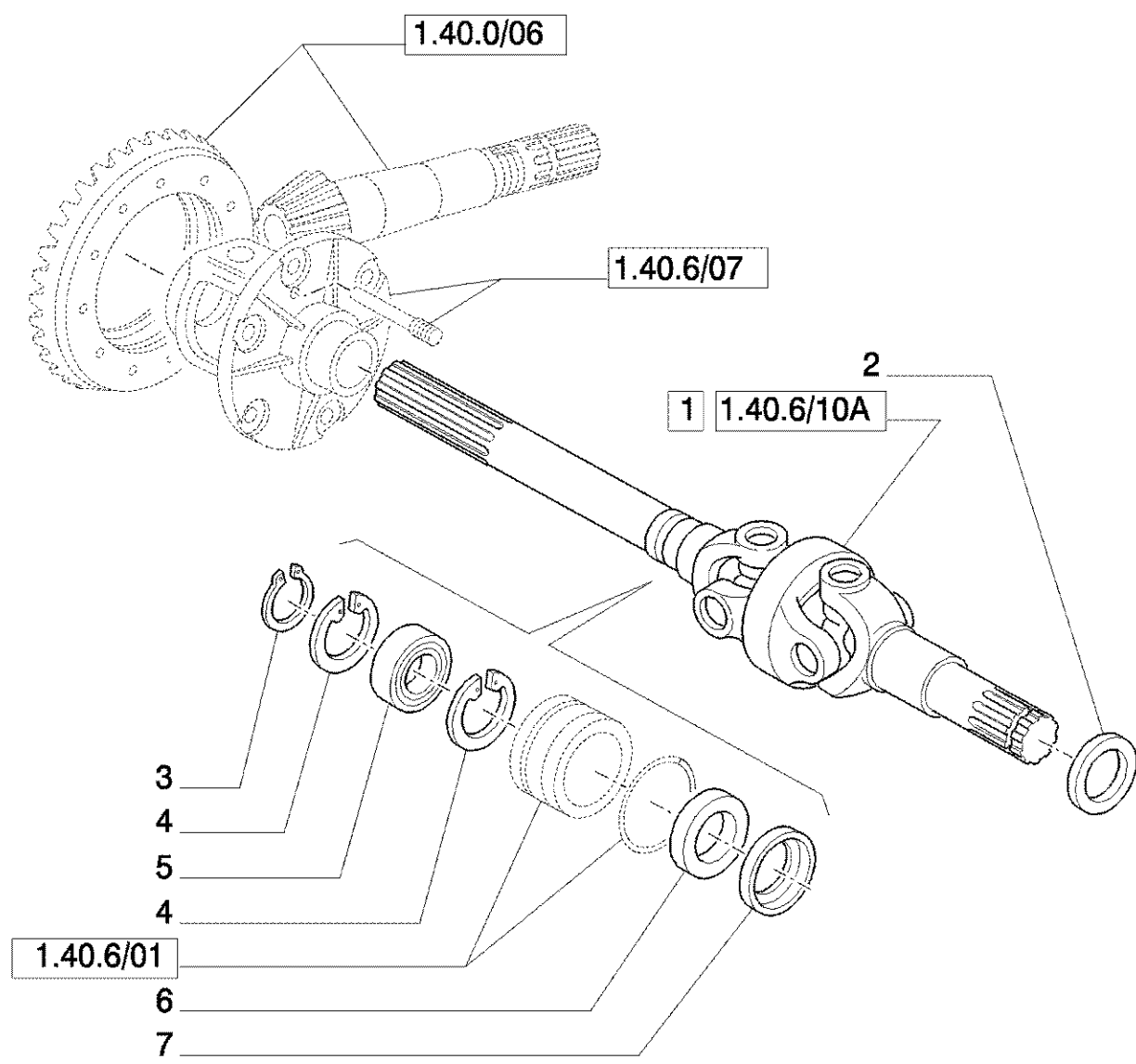
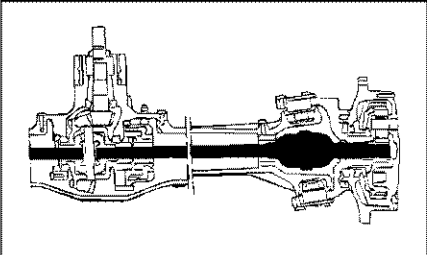
Ref	Onderdeelnummer	Kwt	Beschrijving
1	5167725	1	VERBINDING,
2	272217	1	O-RING, -013, 90 Duro, .426" ID x .070" Thk,
3	87332142	1	DICHTRING, D=22
4	4858608	2	DICHTINGSRING, 14x20x1.5
5	10184311	1	VERBINDINGSBOUT,
6	47124182	1	VASTE BUIS,



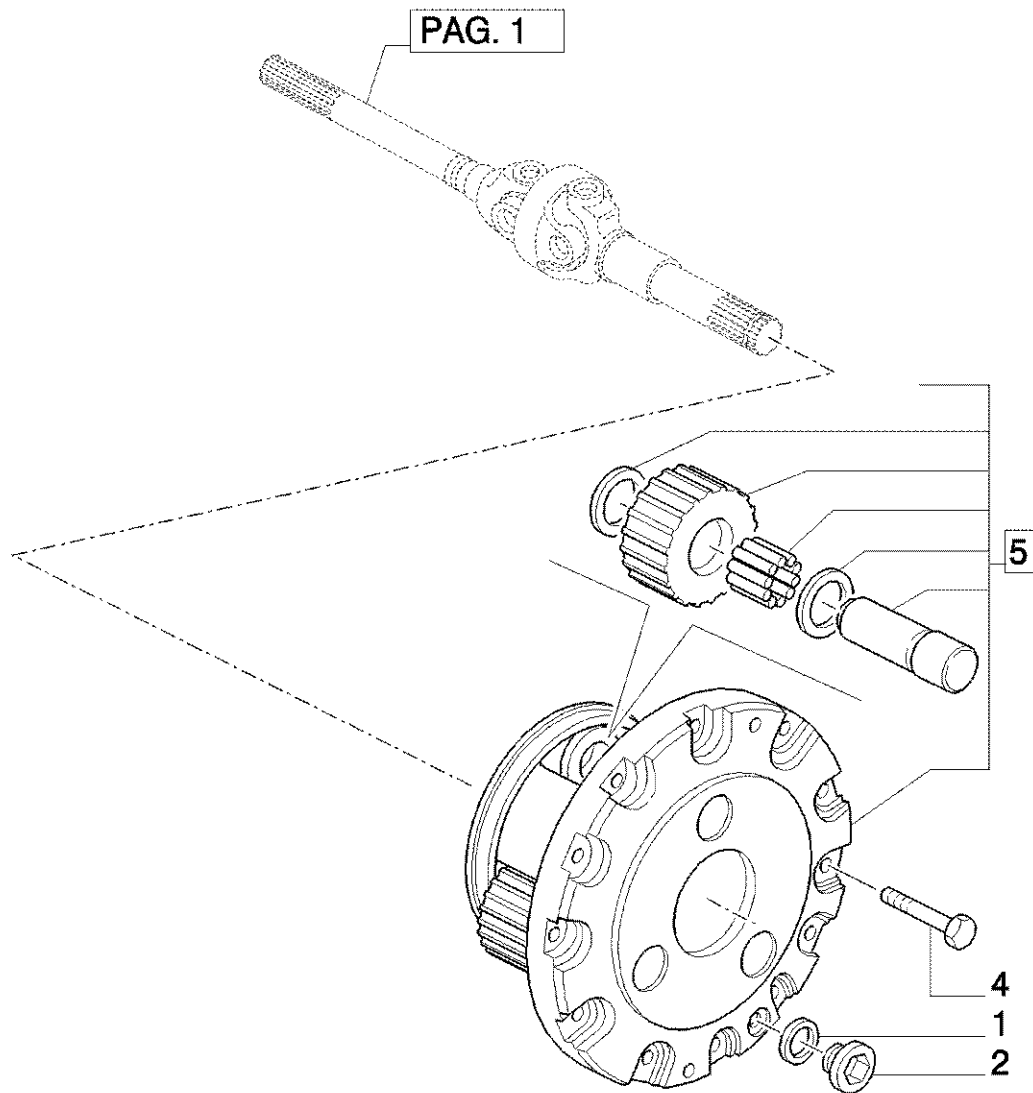
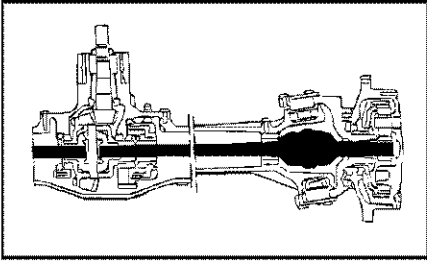
Ref	Onderdeelnummer	Kwt	Beschrijving
1	5167750	AR	DIKTEPLAAT, MM.0.9
1	5167751	AR	DIKTEPLAAT, MM.1.0
1	5167752	AR	DIKTEPLAAT, MM.1.1
1	5167753	AR	DIKTEPLAAT, MM.1.2
1	5167754	AR	DIKTEPLAAT, MM.1.3
1	5167755	AR	DIKTEPLAAT, MM.1.4
1	5167756	AR	DIKTEPLAAT, MM.1.5
1	5167757	AR	DIKTEPLAAT, MM.1.6
1	5167758	AR	DIKTEPLAAT, MM.1.7
1	5167759	AR	DIKTEPLAAT, MM.1.8
1	5167760	AR	DIKTEPLAAT, MM.1.9
1	5167761	AR	DIKTEPLAAT, MM.2.0



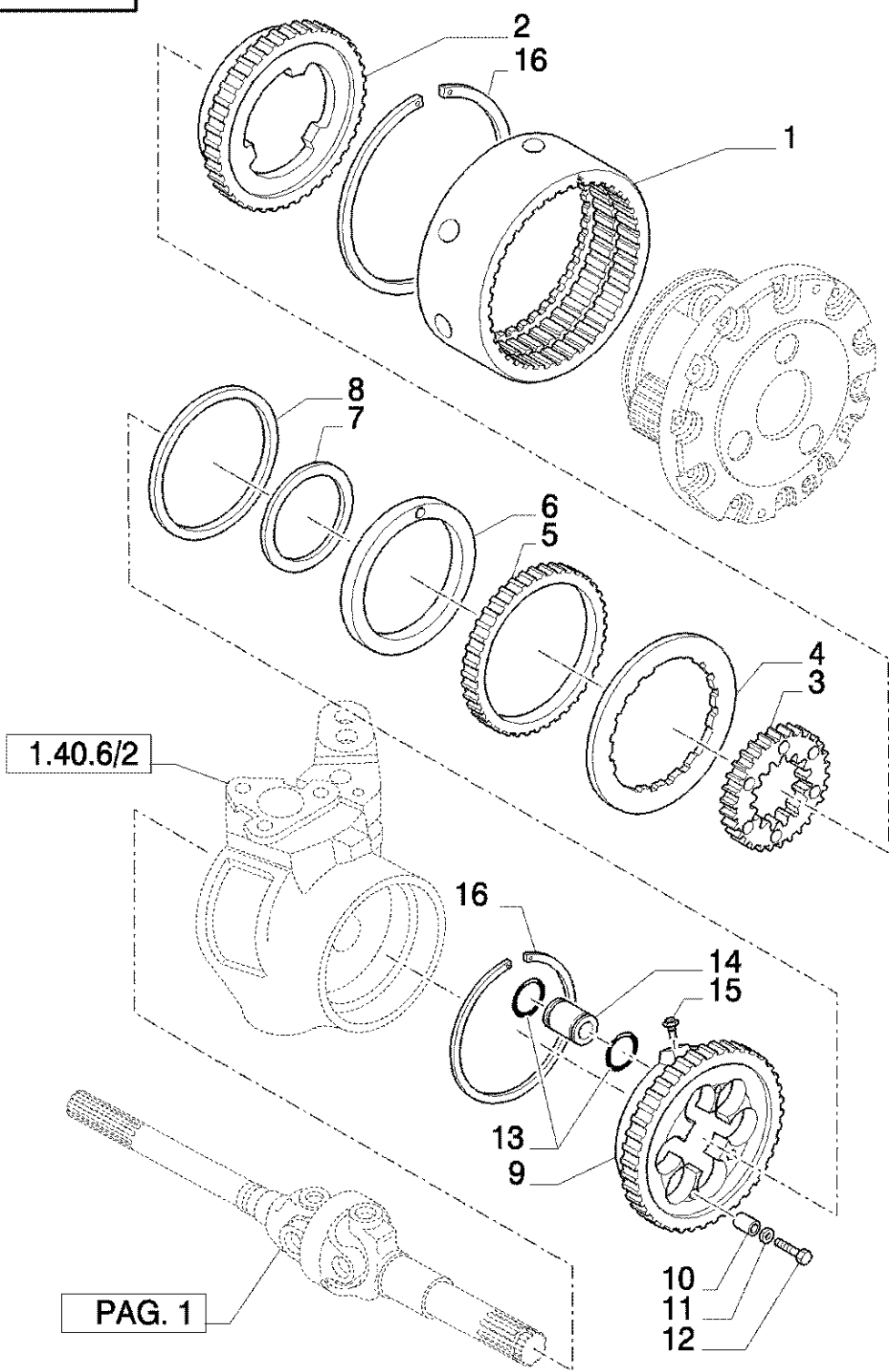
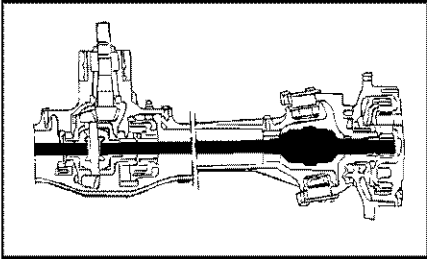
Ref	Onderdeelnummer	Kwt	Beschrijving
1	5167879	1	KARTER EN TANDWIELEN, ASSY
2	26799980	2	DRUKKNOP M SCHUIFROLLETJ, ASSY 50x90
3	5104408	1	SLUITRING DRUKPLAAT,
4	4987111	2	NULLASTTANDWIEL,
5	5167655	2	DIKTEPLAAT, MM.1.5
5	5167694	2	DIKTEPLAAT, MM.1.6
5	5167702	2	DIKTEPLAAT, MM.1.7
5	5167703	2	DIKTEPLAAT, MM.1.8
6	5167717	1	PLANEETWIEL,
7	5103612	1	PEN,
8	5173242	1	SPANSTIFT,
9	13807870	1	KRACHTBRON, Hex Soc, M8 x 14, Flat Pt,
10	5174802	1	HUIS,



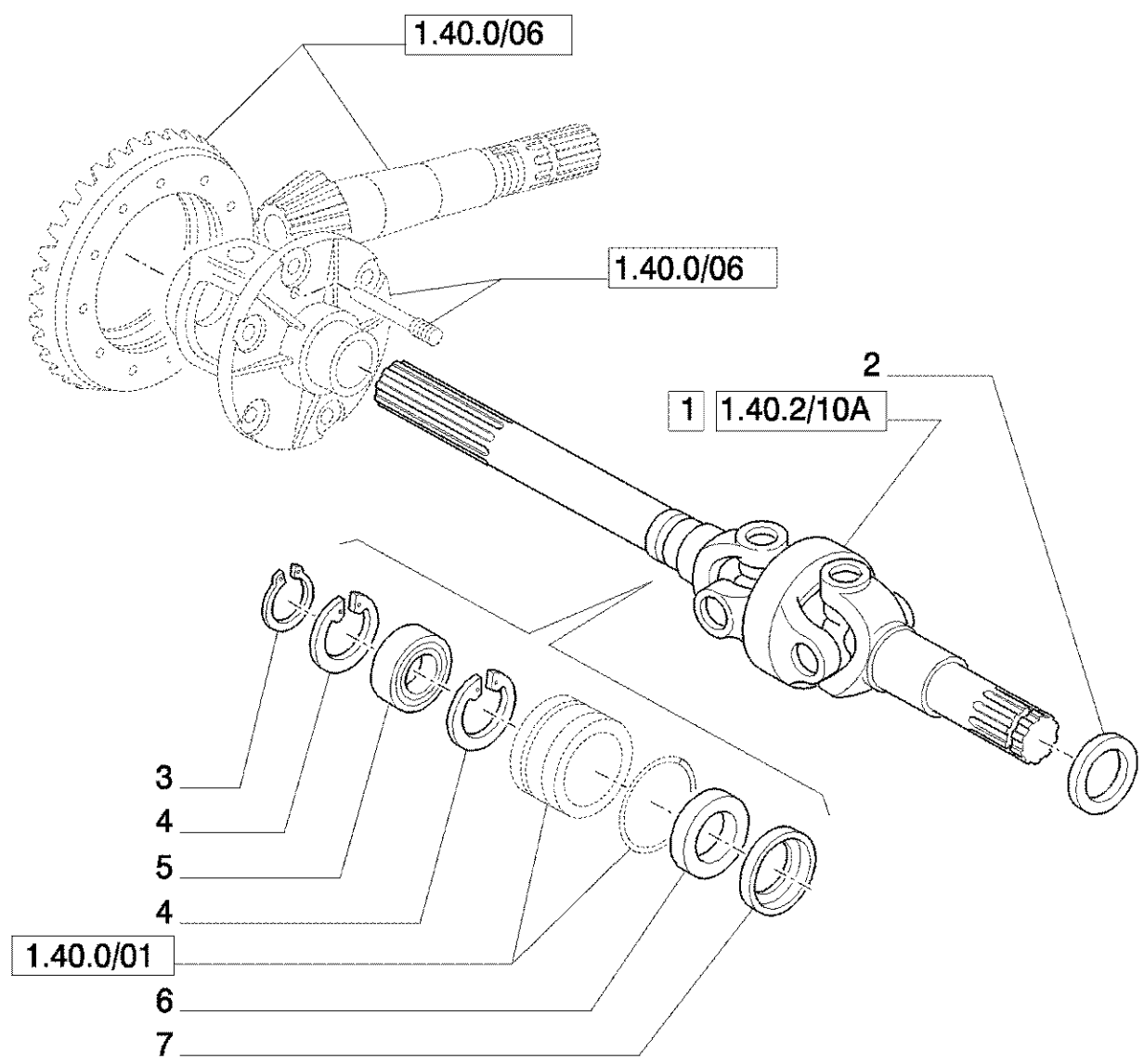
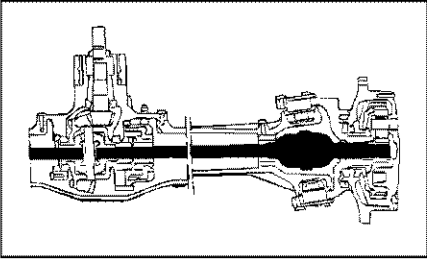
Ref	Onderdeelnummer	Kwt	Beschrijving
1	5186660	1	SCHNARNIERRENDE DRAAGAS, LH
1	5186659	1	SCHNARNIERRENDE DRAAGAS, RH
2	5184124	2	DICHTINGSRING, 47x65x16.5
3	80370003	2	BORGVEER, M30
4	11060676	4	BORGVEER, M55, Int,
5	28042460	2	LAGER, KOGEL, ASSY 30x55x13
6	5116701	2	DICHTINGSRING, 35x55
7	4997436	2	HOUDER,



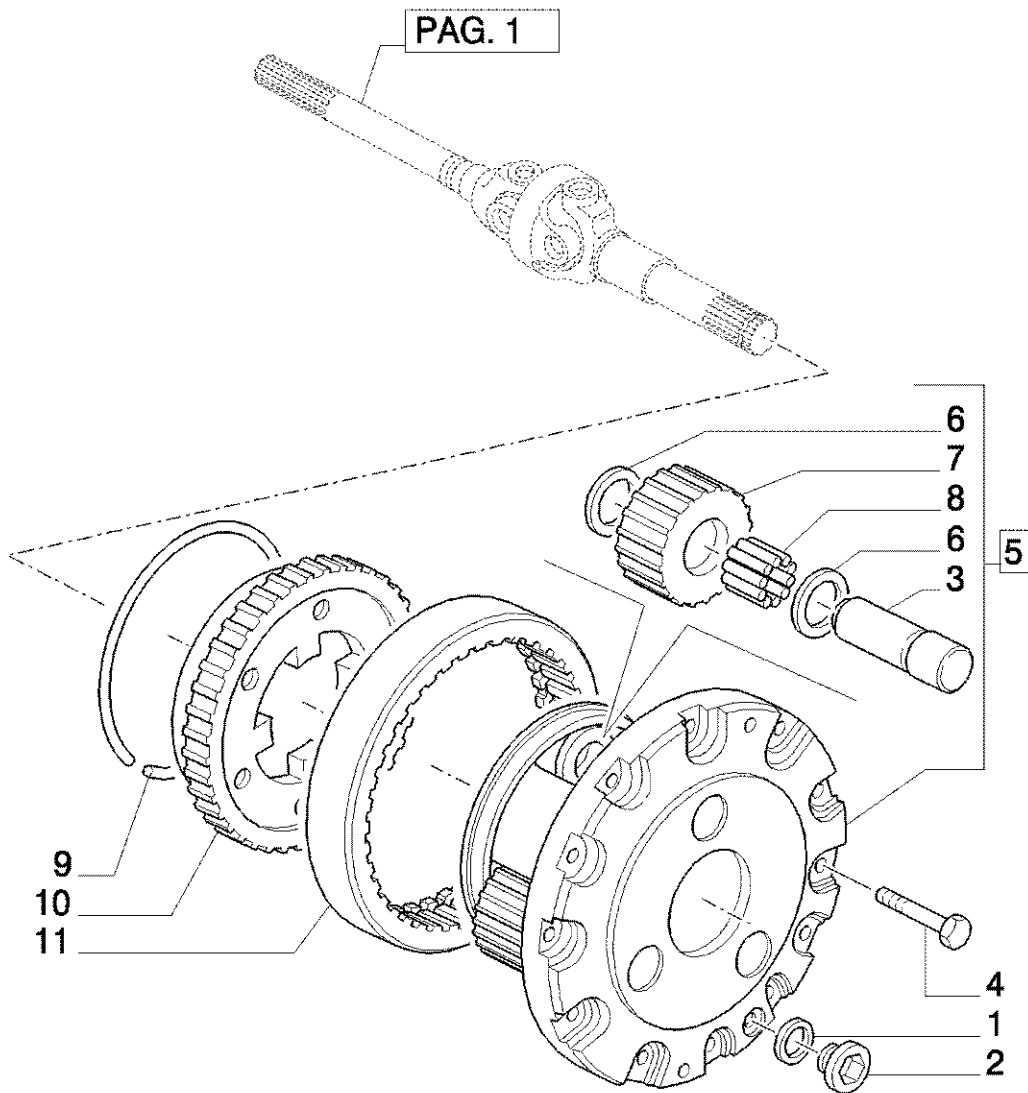
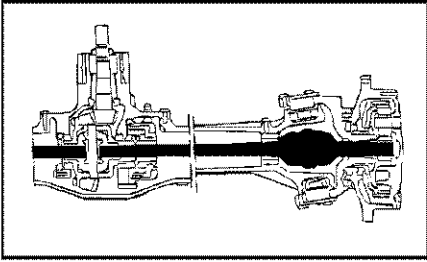
Ref	Onderdeelnummer	Kwt	Beschrijving
1	10263460	2	DICHTRING, M22.3 x 28 x 1.5,
2	10275011	2	PLUG, M22 x 1.5 x 13,
4	14233624	20	BOUT, Hex, M10 x 1.25 x 30, M10x30
5	5181047	2	SATELIETDRAGER, ASSY



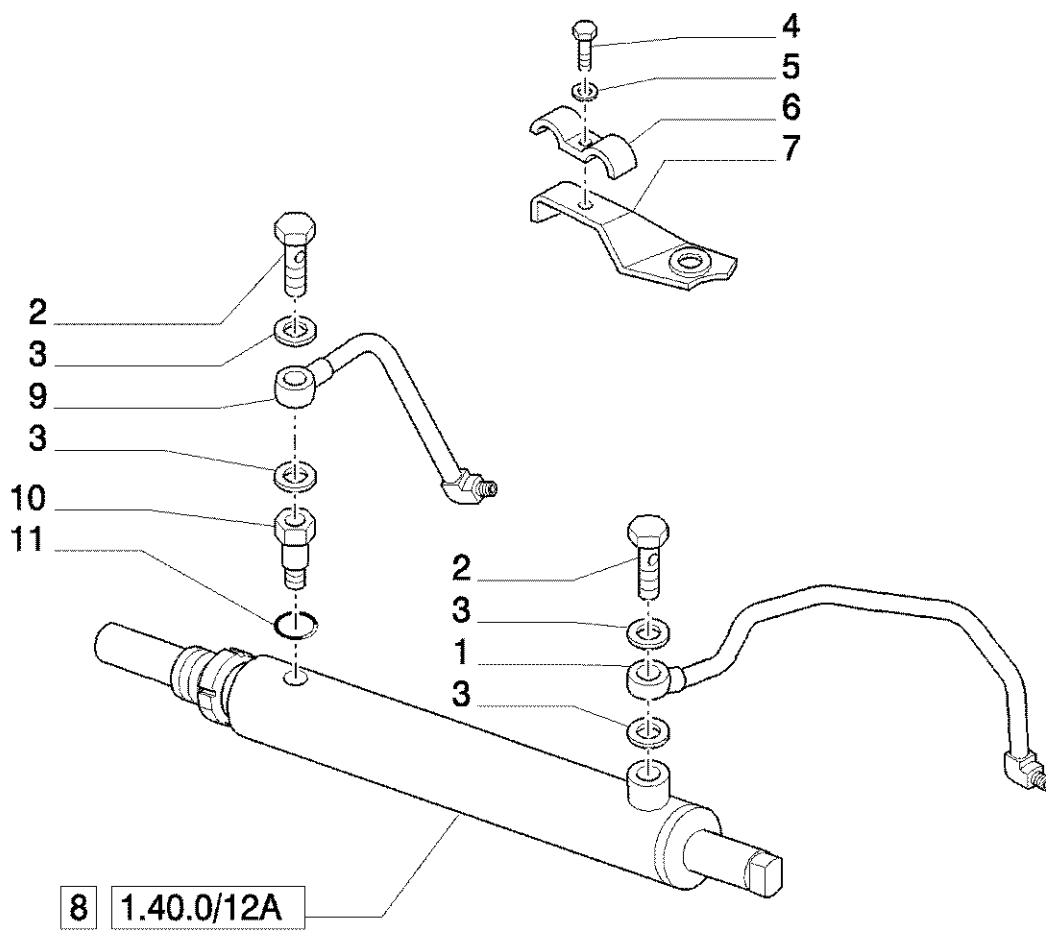
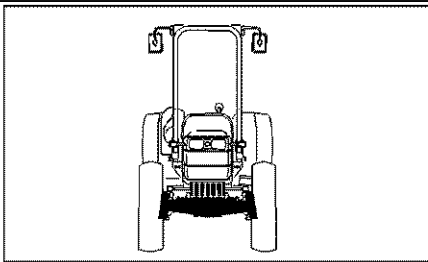
Ref	Onderdeelnummer	Kwt	Beschrijving
1	5178603	2	KROONWIEL,
2	5178605	2	SCHIJF,
3	5178606	2	NAAF,
4	5178600	2	REMSCHIJF,
5	5178588	2	SCHIJF,
6	5173498	2	LAGERBUS,
7	5178747	2	DICHTINGSRING,
8	5178746	2	DICHTINGSRING,
9	5173500	2	HUIS,
10	5179292	12	LAGERBUS,
11	11190679	12	WASHER, SPRING, Belleville, M10.5,
12	16323830	12	BOUT, Hex, M10 x 1.25 x 45,
13	14456980	4	O-RING, -111, 70 Duro, .424" ID x .103" Thk,
14	5173504	2	PAWL,
15	5153030	2	SCHROEF, ONTLUCHTING,
16	5173730	4	SLUITRING,



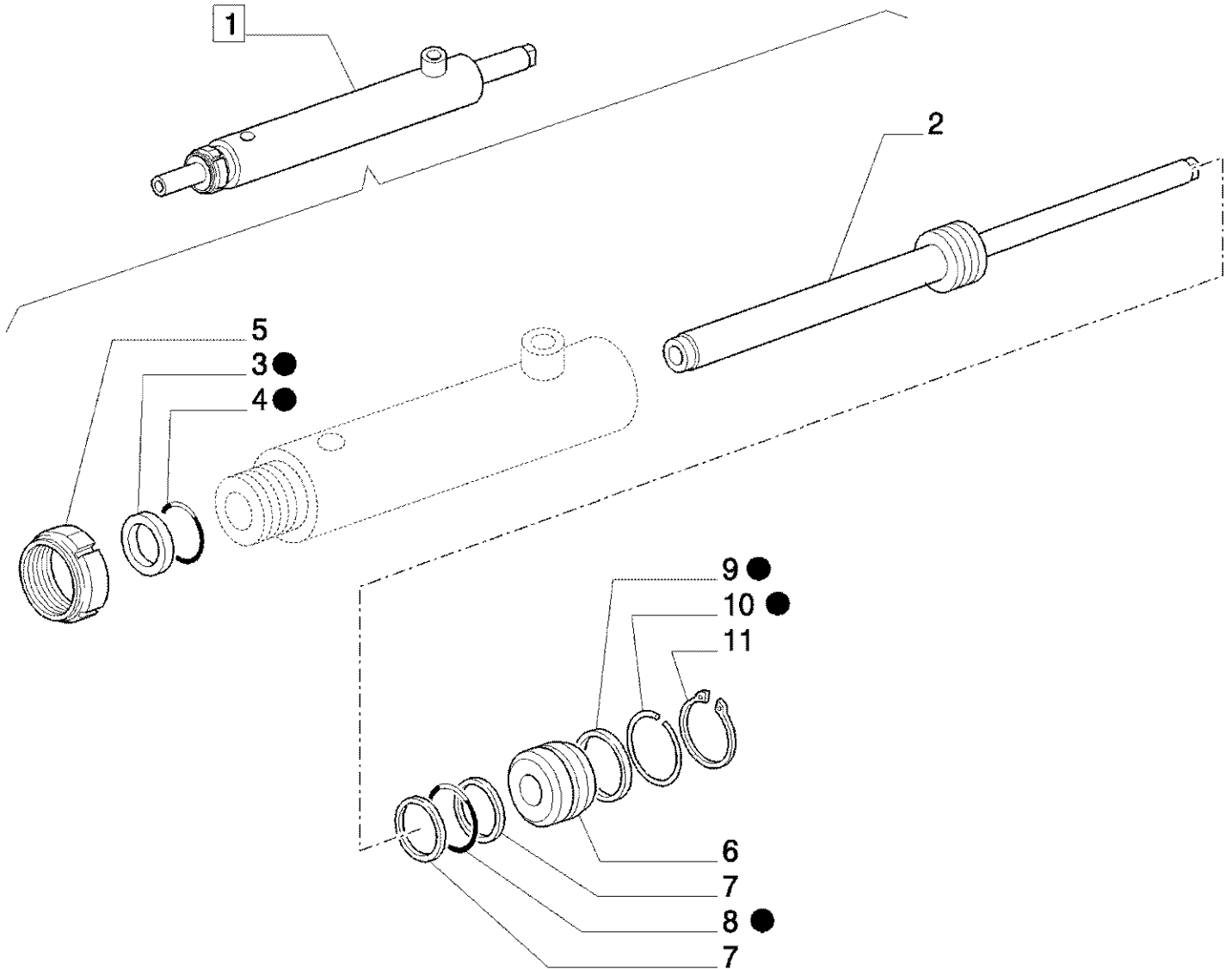
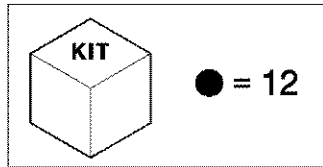
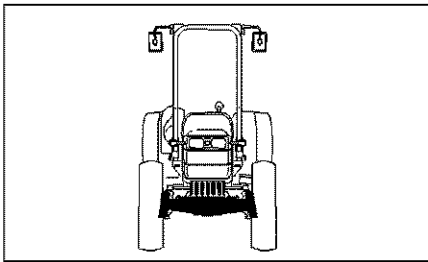
Ref	Onderdeelnummer	Kwt	Beschrijving
1	5186653	1	SCHNARNIERRENDE DRAAGAS, LH
1	5186654	1	SCHNARNIERRENDE DRAAGAS, RH
2	5184124	2	DICHTINGSRING, 47x65x16.5
3	80370003	2	BORGVEER, M30
4	11060676	4	BORGVEER, M55, Int,
5	28042460	2	LAGER, KOGEL, ASSY 30x55x13
6	5116701	2	DICHTINGSRING, 35x55
7	4997436	2	HOUDER,



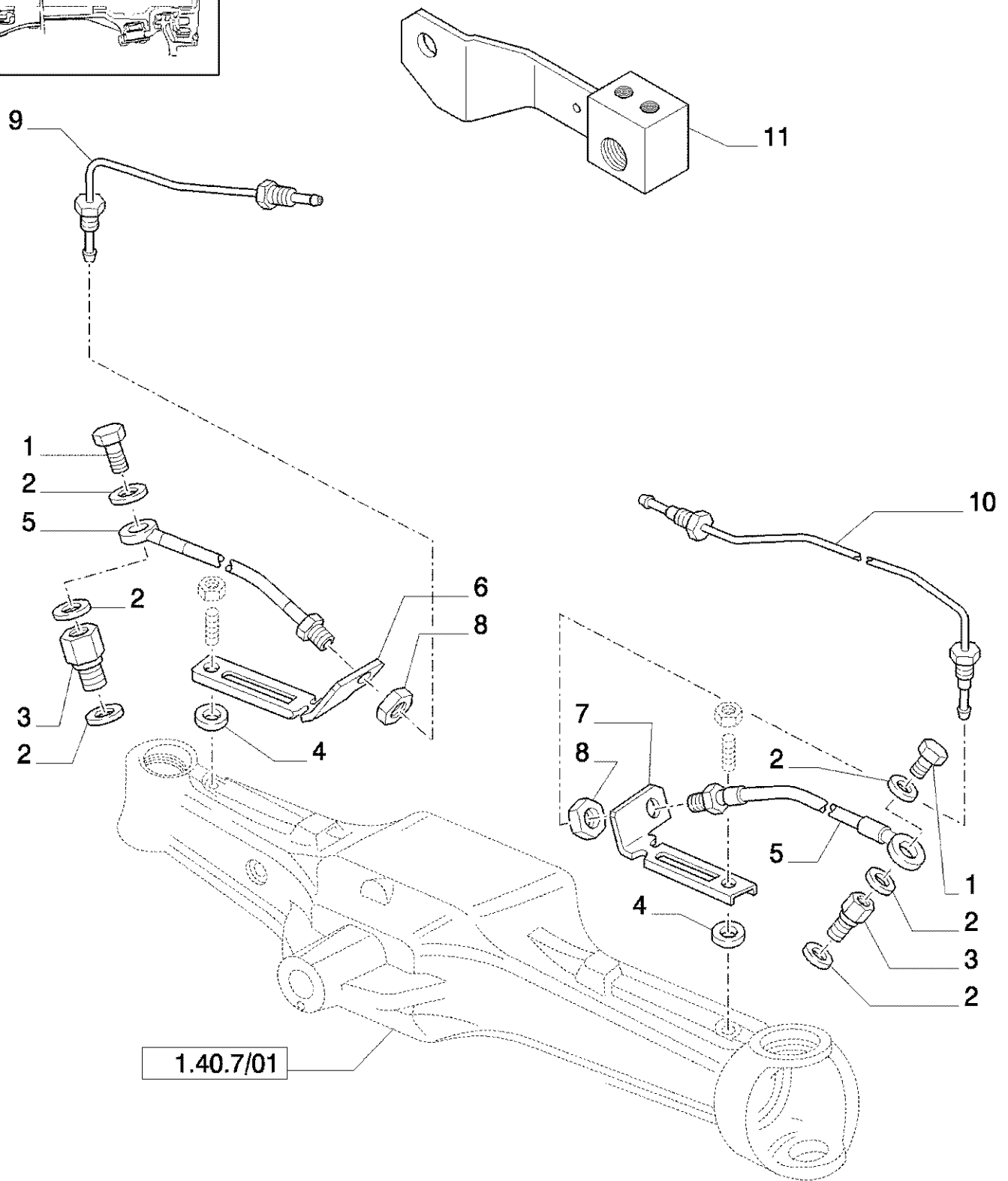
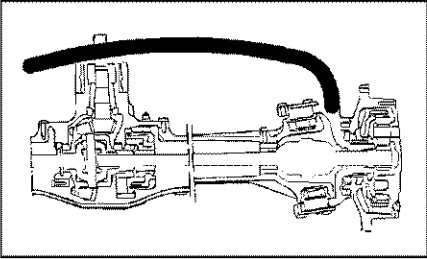
Ref	Onderdeelnummer	Kwt	Beschrijving
1	10263460	2	DICHTRING, M22.3 x 28 x 1.5,
2	10275011	2	PLUG, M22 x 1.5 x 13,
3	5181050	6	PEN,
4	14233634	20	BOUT, Hex, M10 x 30,
5	5181047	2	SATELIETDRAGER, ASSY
6	4997510	12	SLUITRING DRUKPLAAT, MM.0.8
7	5169137	6	TANDWIEL,
8	5101693	6	STEL RINGEN +0.8, ASSY
9	5165162	2	SLUITRING,
10	5173284	2	STEUN,
11	5165273	2	KROONWIEL,



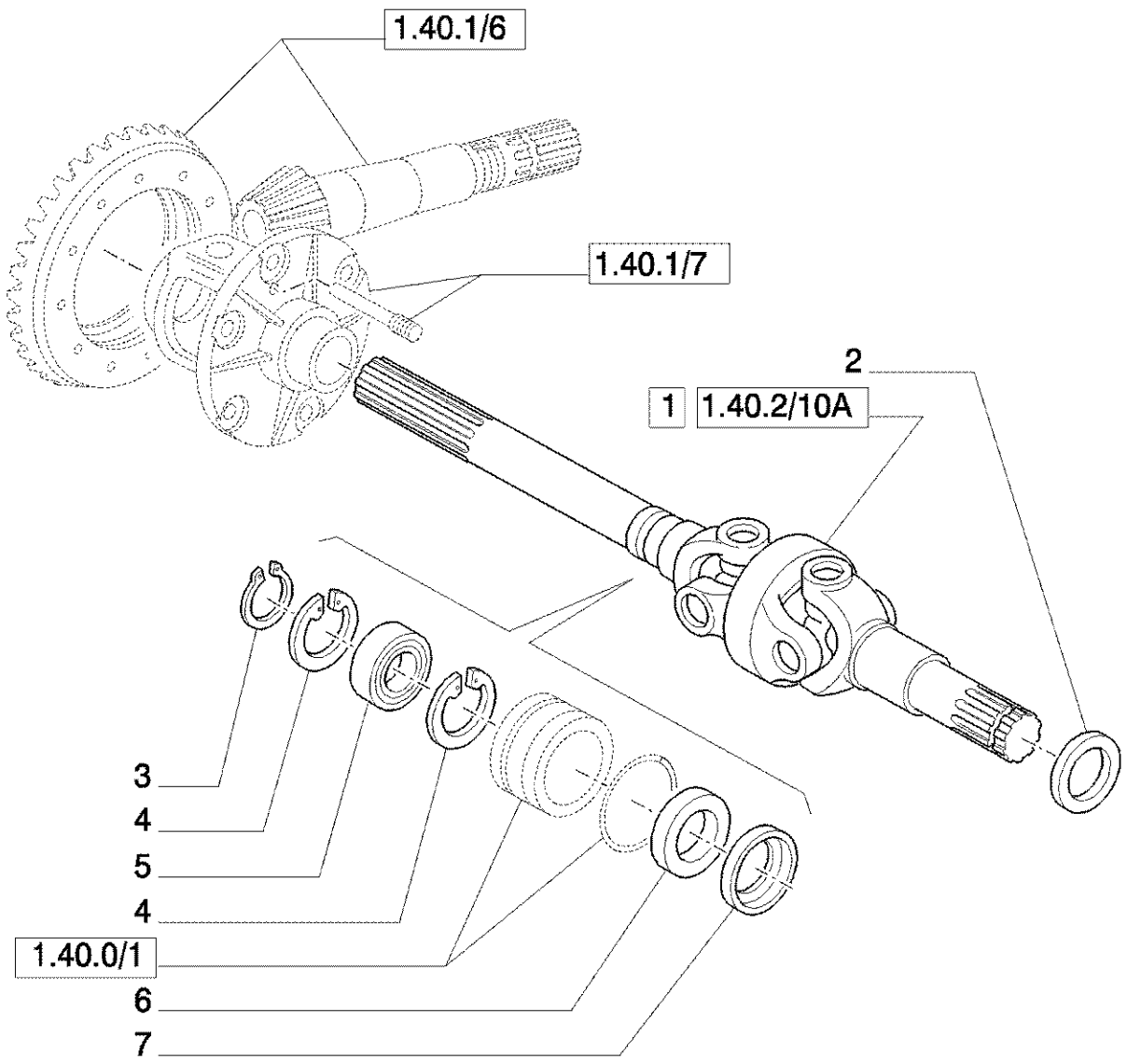
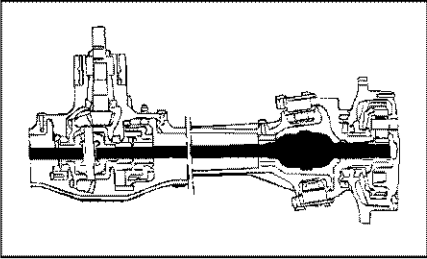
Ref	Onderdeelnummer	Kwt	Beschrijving
1	47131857	1	VASTE BUIS,
2	10184311	2	VERBINDINGSBOUT,
3	44906168	4	DICHTINGSRING, 14.86x22.23
5	11197774	1	WASHER, SPRING, Belleville, M6.4,
6	4999554	1	KLEM,
7	47131794	1	STEUNBEUGEL,
8	5198486	1	SERVOSTUURCYLINDER, , BSN HJE024693
8	47136495	1	SERVOSTUURCYLINDER, , ASN HJE024694
9	47124110	1	VASTE BUIS,
10	47124202	1	VERBINDING,
11	14437785	1	O-RING, 11.3MM ID x 2.4 Thk,
4	10902224	1	BOUT, Hex, M6 x 16, 8.8, Full Thd,



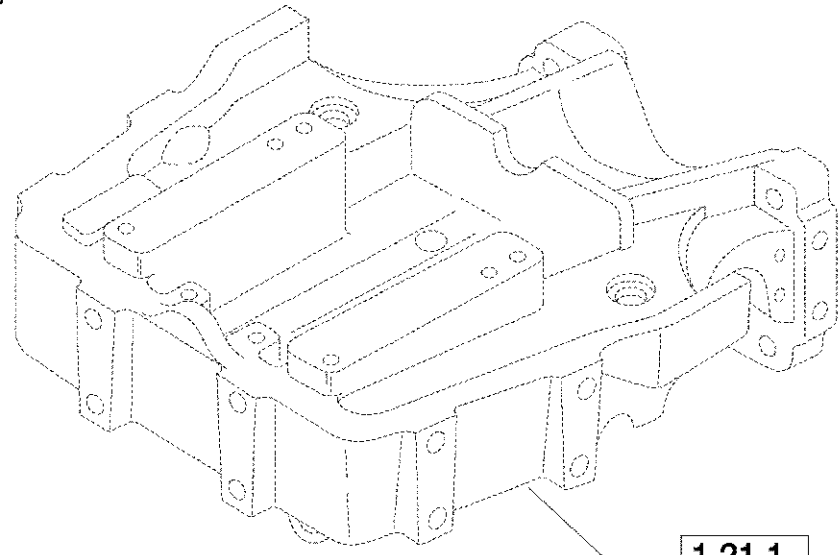
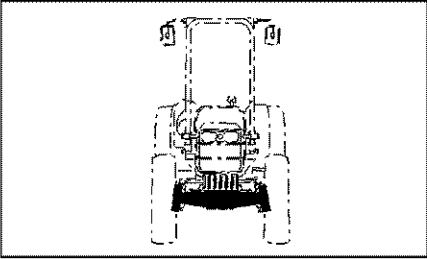
Ref	Onderdeelnummer	Kwt	Beschrijving
1	5198486	1	SERVOSTUURCYLINDER, ASSY, BSN HJE024693
1	47136495	1	SERVOSTUURCYLINDER, ASSY, ASN HJE024694
2	47124922	1	STANG,
3	47124928	2	SCHRAPER, GEREEDSCHAP,
4	47124929	2	DICHTINGSSTUK,
5	47124930	1	PAKKINGMOER, , BSN HJE024693
5	47136501	1	PAKKINGMOER, , ASN HJE024694
6	47124936	1	CYLINDERKOP,
7	5192852	2	KIT, , BSN HJE024693
7	5192850	2	RING, , ASN HJE024694
8	47124932	1	DICHTINGSSTUK,
9	47124933	1	SLUITRING,
10	47124934	1	SLUITRING,
11	47124935	1	SLUITRING,
12	47124937	1	KIT, FIP,



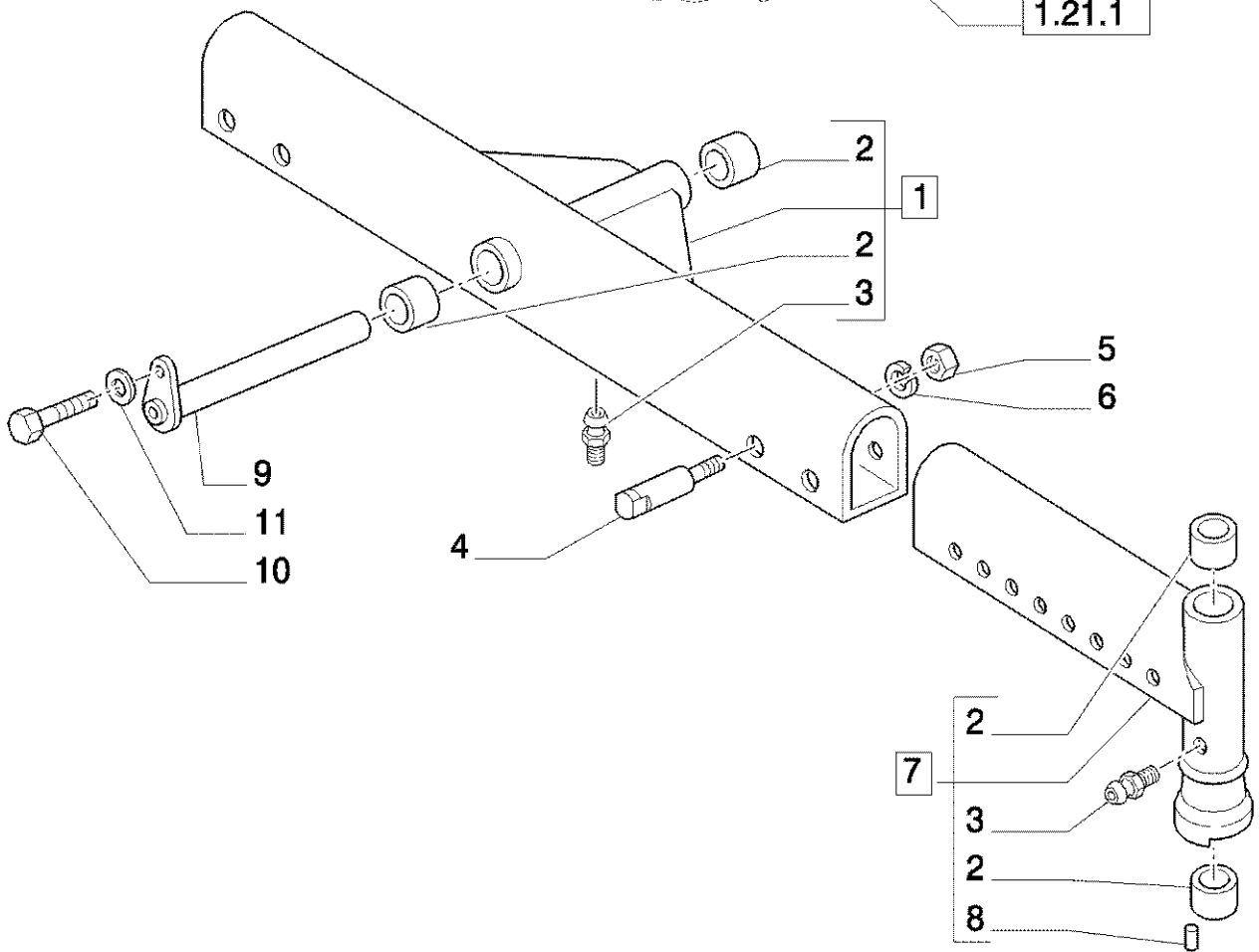
Ref	Onderdeelnummer	Kwt	Beschrijving
1	5155703	2	VERBINDINGSBOUT, M12x22
2	10298460	6	WASHER, COPPER, M12.2 x 18 x 1.5, Copper,
3	5182367	2	VERBINDING,
4	10520021	2	SLUITRING, M12 x 22 x 3,
5	5155700	2	FLEXIBELE SLANG,
6	5182988	1	STEUNBEUGEL, RH
7	5182989	1	ELLEBOOG, LH
8	10718114	2	NUT, LOCK, M16 x 1, CI 04,
9	47132777	1	VASTE BUIS, RH
10	47132778	1	VASTE BUIS, LH
11	47131794	1	STEUNBEUGEL,



Ref	Onderdeelnummer	Kwt	Beschrijving
1	5186653	1	SCHNARNIERRENDE DRAAGAS, LH
1	5186654	1	SCHNARNIERRENDE DRAAGAS, RH
2	5184124	2	DICHTINGSRING, 47x65x16.5
3	80370003	2	BORGVEER, M30
4	11060676	4	BORGVEER, M55, Int,
5	28042460	2	LAGER, KOGEL, ASSY 30x55x13
6	5116701	2	DICHTINGSRING, 35x55
7	4997436	2	HOUDER,

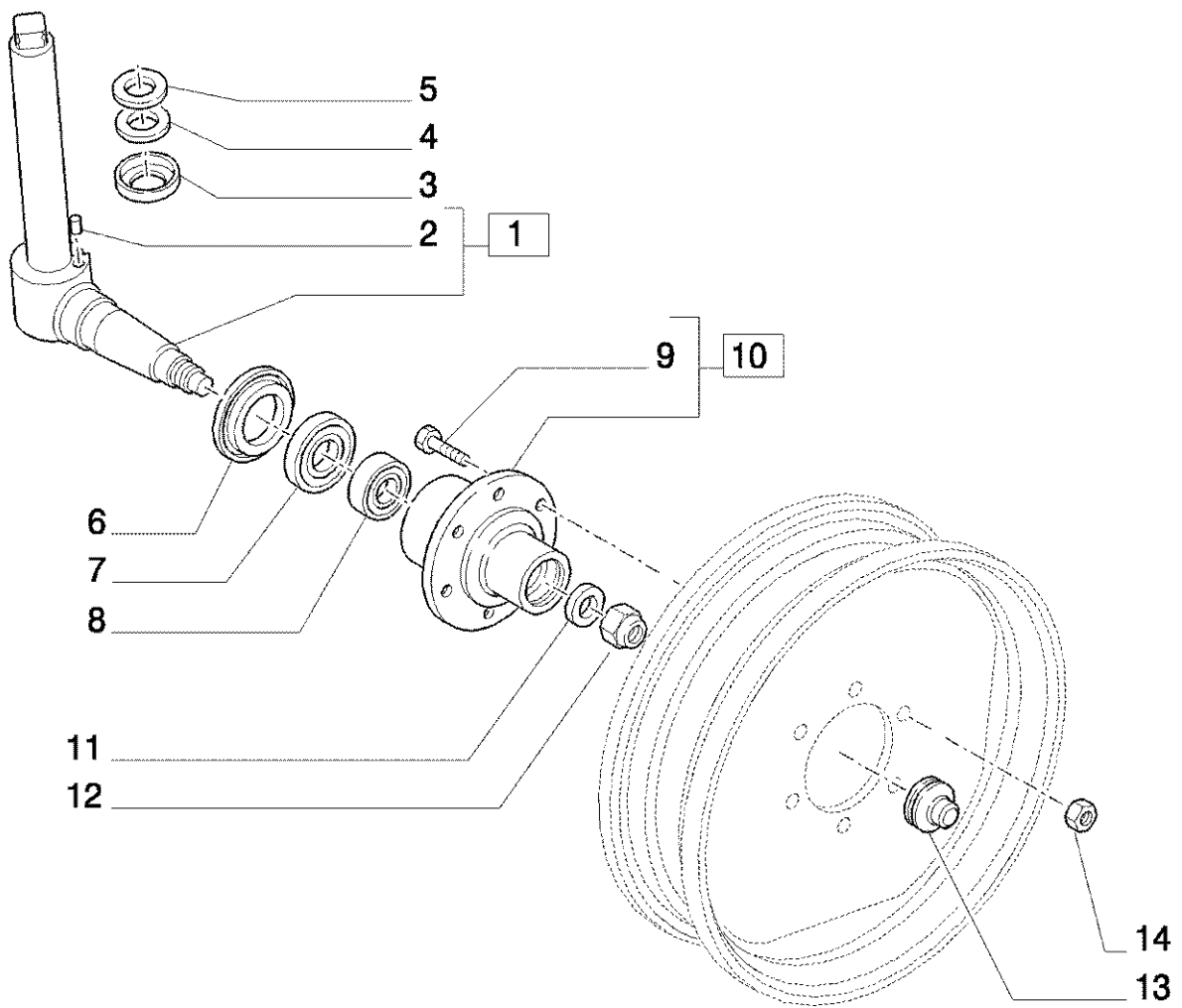
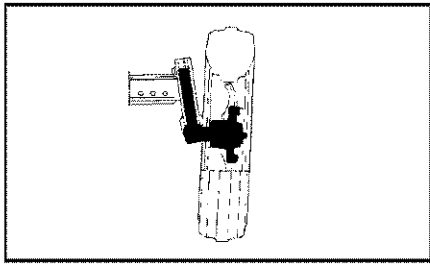


1.21.1



1.41.0(01) VOORAS - 2WD

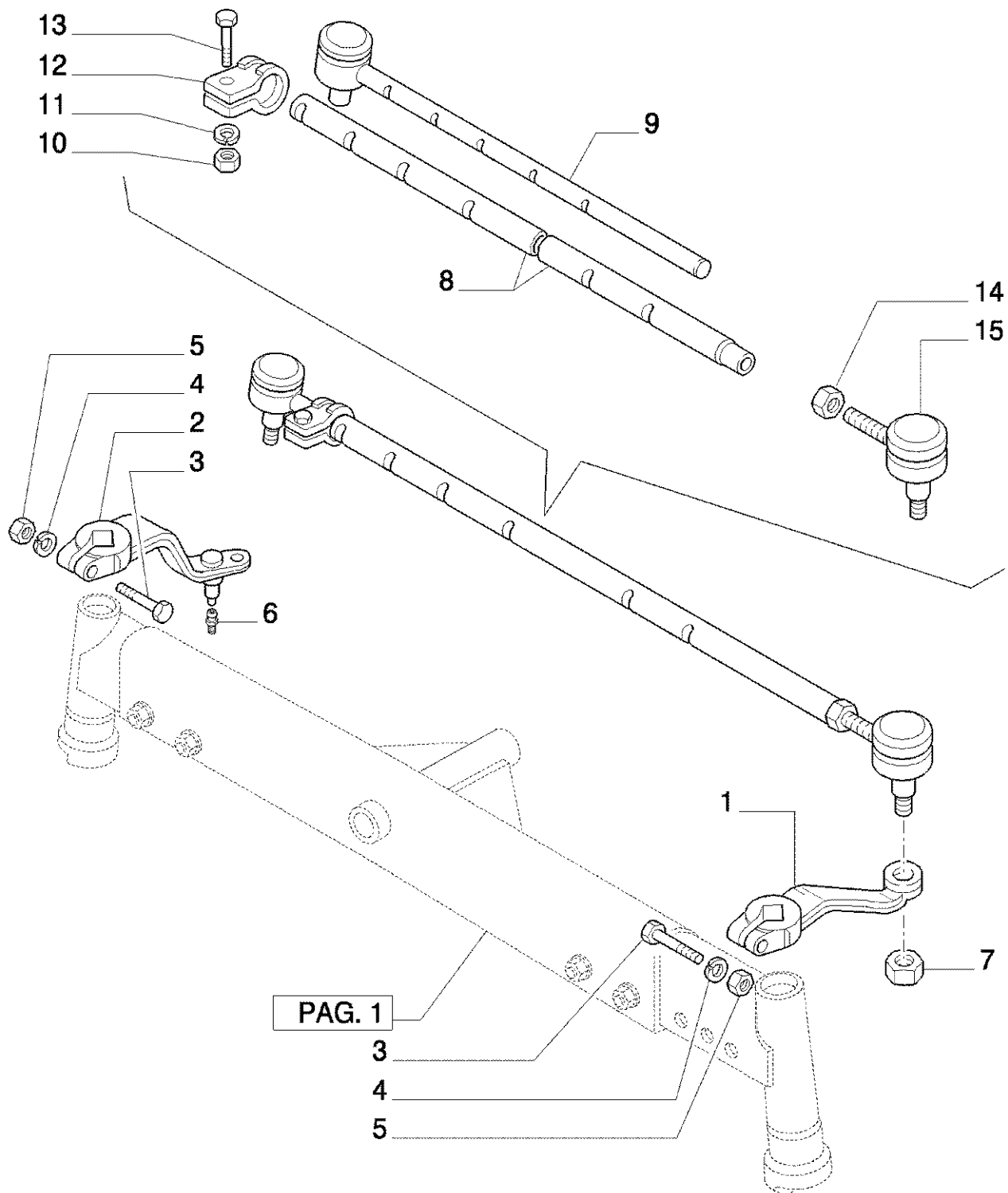
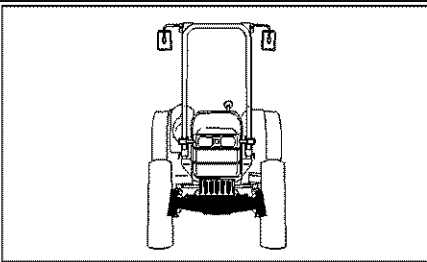
Ref	Onderdeelnummer	Kwt	Beschrijving
1	5166089	1	VOORAS, ASSY
2	5115656	6	LAGERBUS,
3	13407211	3	SMEERNIPPEL, M10 x 1,
4	5168833	4	SLUITPEN,
5	16980931	4	MOER, 20x1.5
6	11191779	4	SLUITRING, 20x30x4.6
7	5166094	2	VERLENGSTUK,
8	10839510	2	STEL PEN, D=6
9	5110400	1	PEN,
11	11190574	1	WASHER, SPRING, Belleville, M10.5,
10	15970524	1	BOUT, Hex, M10 x 1.25 x 20, 8.8, Full Thd,



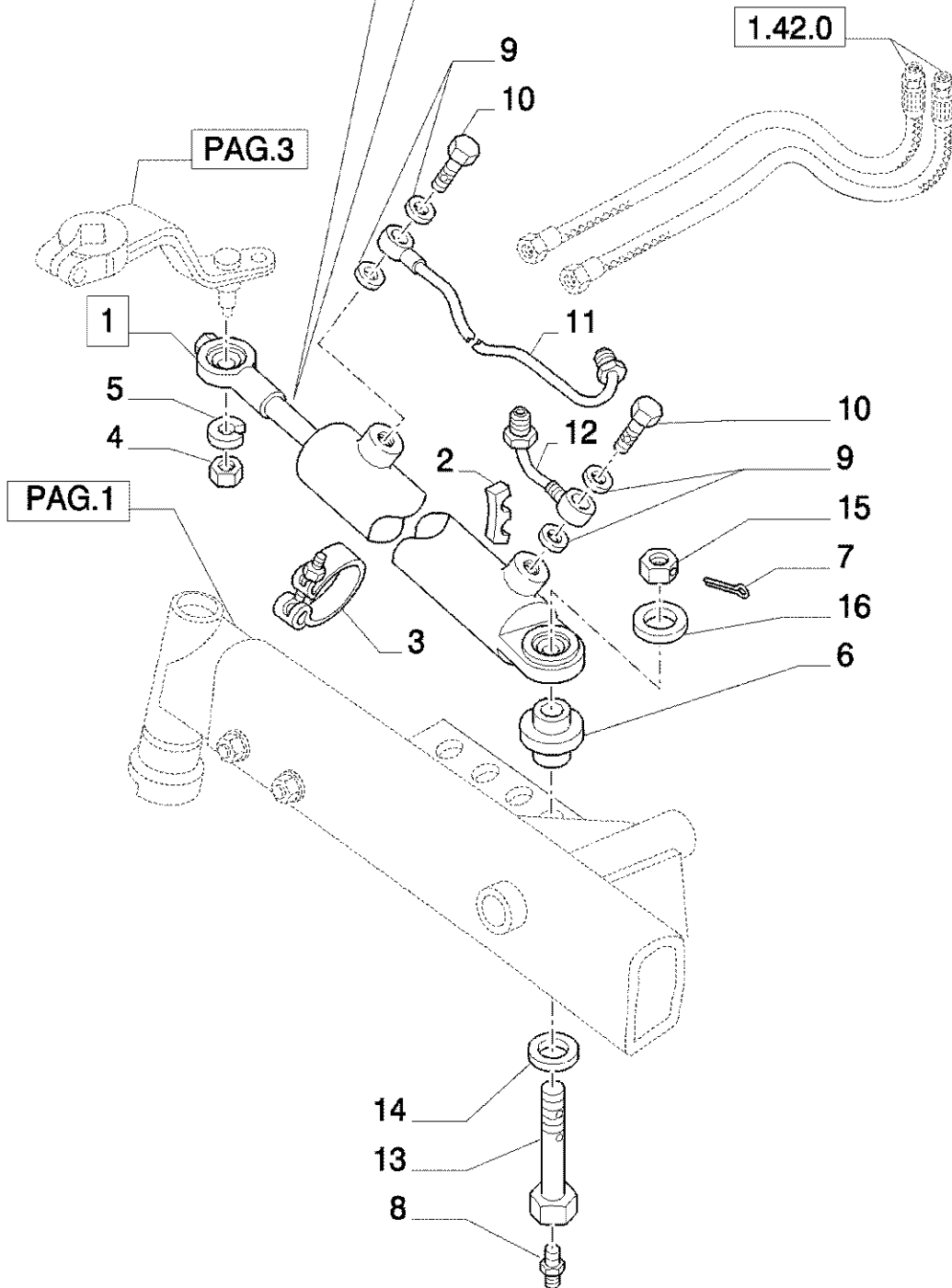
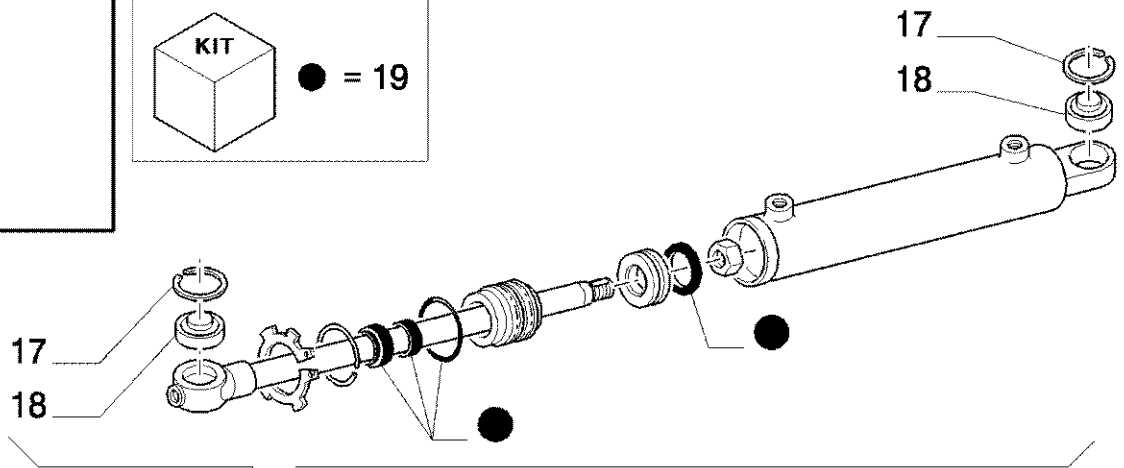
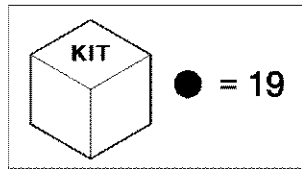
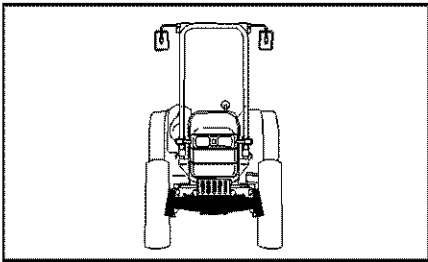
360 KOMPAKT TRACTOR (4/03-) - Vooras en Stuurinrichting

1.41.0(02) VOORAS - FUSEES MET SCHARNIER - NAVEN - 2WD

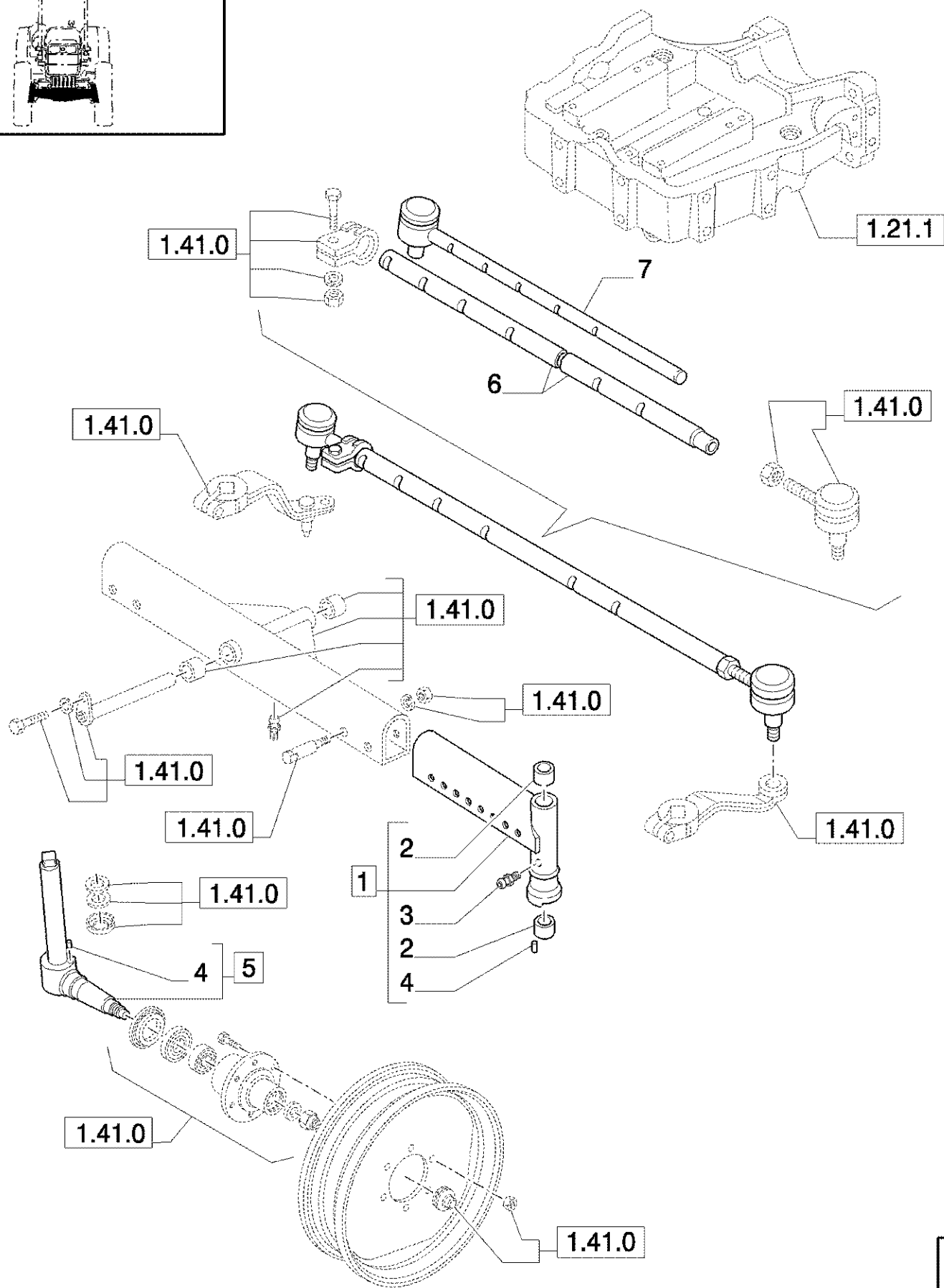
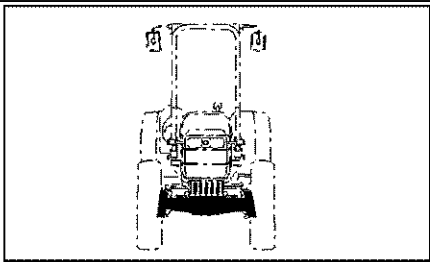
Ref	Onderdeelnummer	Kwt	Beschrijving
1	5166099	1	STUURGEWRICHT, ASSY, RH
1	5166101	1	STUURGEWRICHT, ASSY, LH
2	10839510	2	STEL PEN, D=6
3	566125	2	KOM,
4	5144475	2	SLUITRING DRUKPLAAT,
5	561953	2	RING,
6	4951077	2	DICHTINGSRING,
7	86512015	2	LAGER,
8	5132343	2	DRUKKNOP M SCHUIFROLLETJ,
9	81816580	12	BOUT,
10	5166086	2	NAAF,
11	559715	2	SLUITRING,
12	14044271	2	MOER, M20
13	4957312	2	NAAFDOOP,
14	81815739	12	MOER,



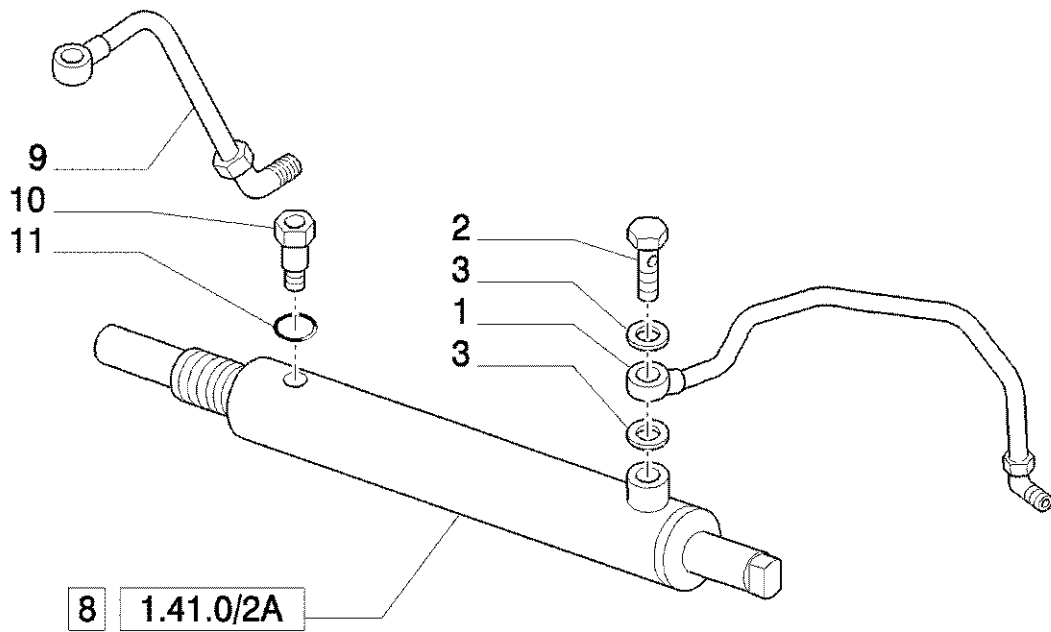
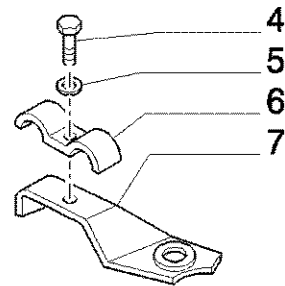
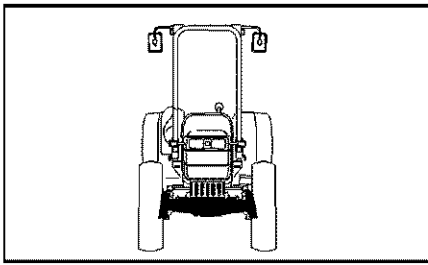
Ref	Onderdeelnummer	Kwt	Beschrijving
1	5166080	1	ARM, STEERING,
2	5166081	1	ARM, STEERING,
3	15862131	2	BOUT, Hex, M14 x 1.5 x 80, 10.9,
4	11194174	2	WASHER, SPRING, Belleville, M10.5, D=14
5	12164021	2	MOER, M14 x 1.5, CI 10,
6	87414	1	SMEERNIPPEL, 1/4"-28 x .56" lg, Drive,
7	12575921	2	MOER, M16 x 1.5, CI 05,
8	5166130	1	VASTE BUIS, L=745
9	5166131	1	KOPPELINGSGEWRIJCHT,
10	12164714	1	MOER, M10 x 1.25, CI 8, M10
11	11190574	1	WASHER, SPRING, Belleville, M10.5,
12	4997704	1	KLEM,
13	11343821	1	BOUT, Hex, M10 x 1.25 x 50, 8.8,
14	587302	1	MOER, M20
15	5109553	1	KOPPELINGSGEWRIJCHT,



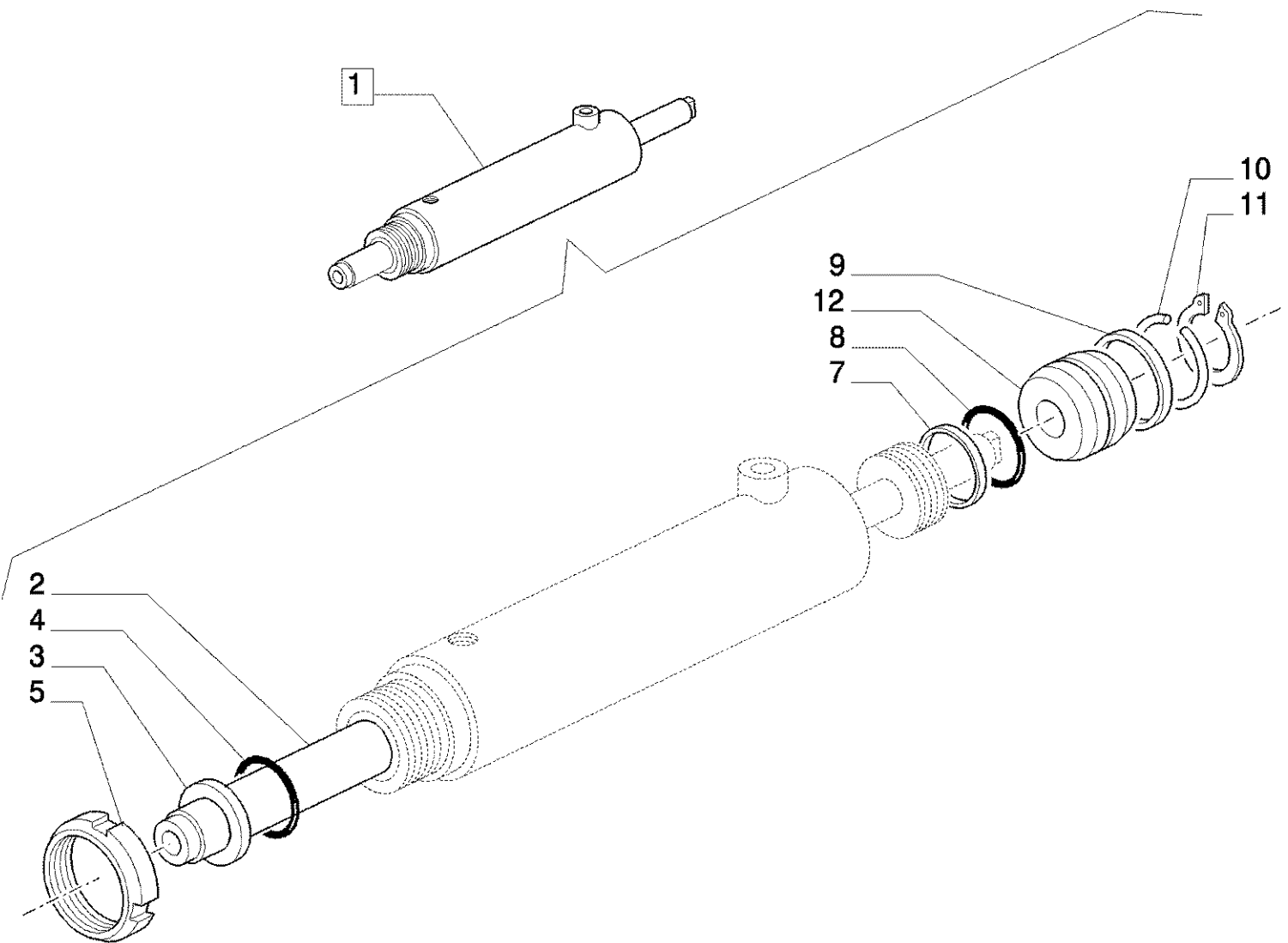
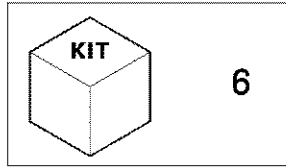
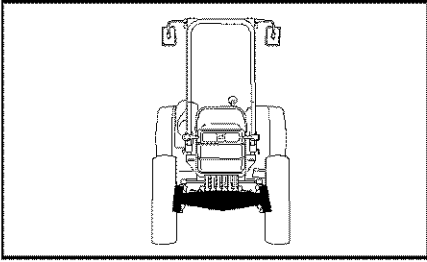
Ref	Onderdeelnummer	Kwt	Beschrijving
1	5178707	1	SERVOSTUURCYLINDER, ASSY.
2	5121043	1	AFSTANDSRING,
3	13000990	1	SLANGKLEM, D=60-80
4	12575921	1	MOER, M16 x 1.5, CI 05,
5	5100730	1	SLUITRING,
6	5166084	1	LAGERBUS,
7	80300595	1	SPLITPEN, 4 x 40
8	87414	1	SMEERNIPPEL, 1/4"-28 x .56" lg, Drive,
9	44906168	4	DICHTINGSRING, 14,86 x 22,23
10	4864083	2	VERBINDINGSBOUT, D=10
11	5179224	1	VASTE BUIS, RH
12	5179222	1	VASTE BUIS, LH
13	5175430	1	PEN,
14	11191974	1	WASHER, SPRING, Belleville, M23, 22 x 42
15	10724621	1	MOER, M18
16	5168900	1	SLUITRING,
17	5190903	2	SLUITRING,
18	5190901	2	LAGERBUS,
19	5190916	1	DICHTINGSKIT,



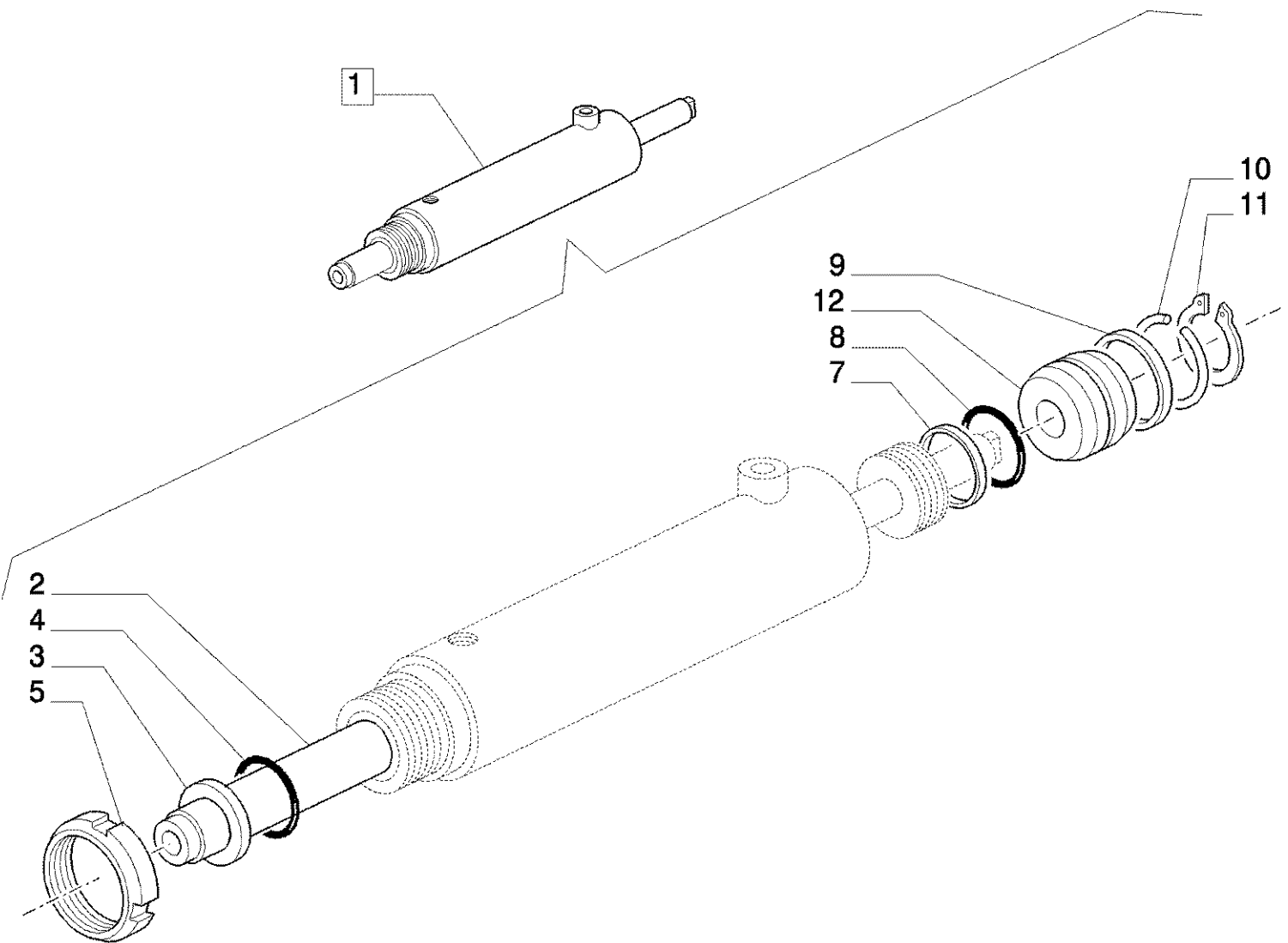
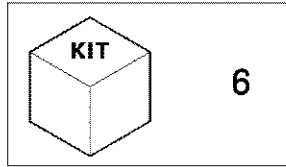
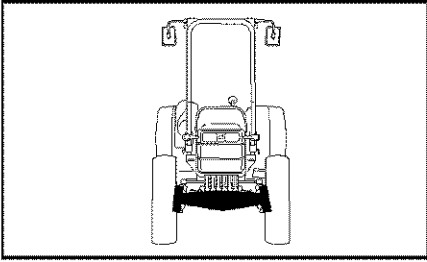
Ref	Onderdeelnummer	Kwt	Beschrijving
1	5166105	2	UITEINDE,
2	5115656	6	LAGERBUS,
3	13407211	3	SMEERNIPPEL, M10 x 1,
4	10839510	4	STEL PEN, D=6
5	5166109	1	STUURGEWRICHT, RH
5	5166111	1	STUURGEWRICHT, LH
6	5166076	1	VASTE BUIS, 945mm (37-1/4") L
7	5166077	1	KOPPELINGSSTANG,



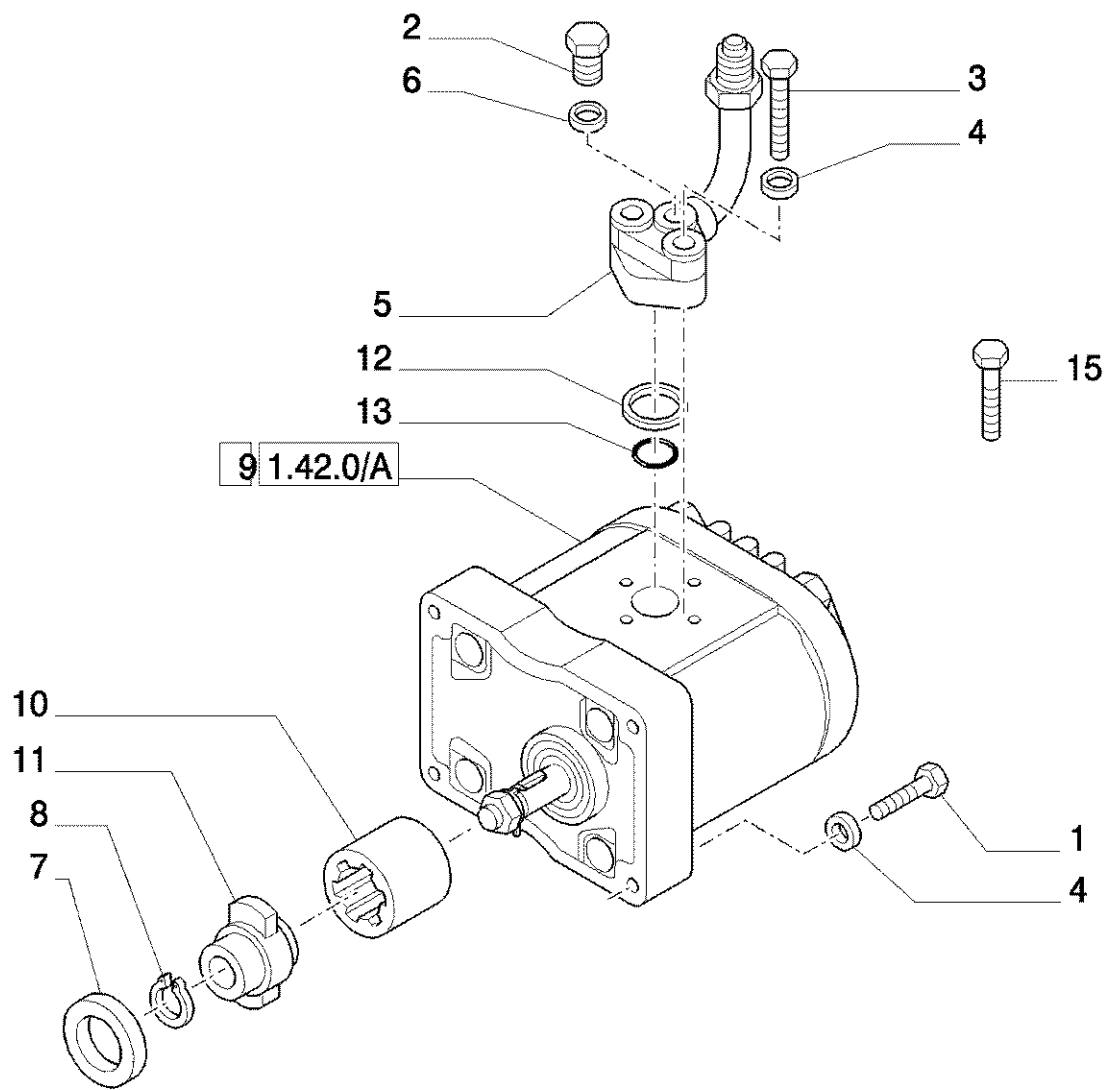
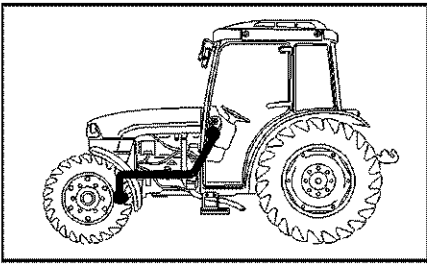
Ref	Onderdeelnummer	Kwt	Beschrijving
1	47131857	1	VASTE BUIS,
2	10184311	1	VERBINDINGSBOUT,
3	44906168	2	DICHTINGSRING, 14.86x22.23
5	11197774	1	WASHER, SPRING, Belleville, M6.4,
6	4999554	1	KLEM,
7	47131784	1	STEUNBEUGEL,
8	5198486	1	SERVOSTUURCYLINDER, , BSN HJE024693
8	47136495	1	SERVOSTUURCYLINDER, , ASN HJE024694
9	47124110	1	VASTE BUIS,
10	47124202	1	VERBINDING,
11	14437785	1	O-RING, 11.3MM ID x 2.4 Thk,
4	10902224	1	BOUT, Hex, M6 x 16, 8.8, Full Thd,



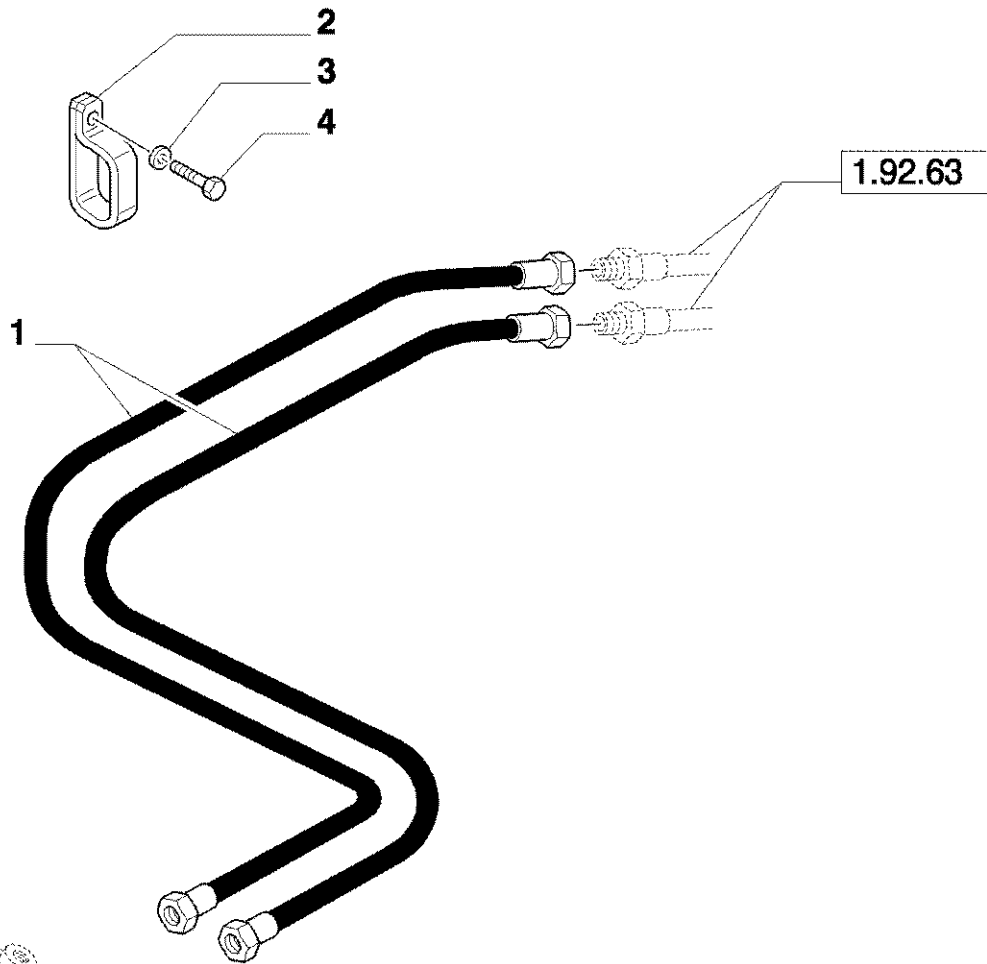
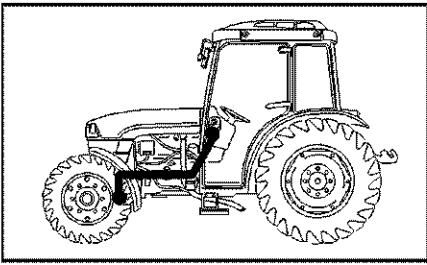
Ref	Onderdeelnummer	Kwt	Beschrijving
1	5198486	1	SERVOSTUURCYLINDER, , BSN HJE024693
1	47136495	1	SERVOSTUURCYLINDER, , ASN HJE024694
2	47124922	1	STANG,
3	47124928	2	SCHRAPER, GEREEDSCHAP,
4	47124929	2	DICHTINGSSTUK,
5	47124930	1	PAKKINGMOER, , BSN HJE024693
5	47136501	1	PAKKINGMOER, , ASN HJE024694
6	47124937	1	KIT, FIP,
7	5192850	1	RING,
8	47124932	1	DICHTINGSSTUK,
9	47124933	1	SLUITRING,
10	47124934	1	SLUITRING,
11	47124935	1	SLUITRING,
12	47124936	1	CYLINDERKOP,



Ref	Onderdeelnummer	Kwt	Beschrijving
1	5198486	1	SERVOSTUURCYLINDER, , BSN HJE024693
1	47136495	1	SERVOSTUURCYLINDER, , ASN HJE024694
2	47124922	1	STANG,
3	47124928	2	SCHRAPER, GEREEDSCHAP,
4	47124929	2	DICHTINGSSTUK,
5	47124930	1	PAKKINGMOER, , BSN HJE024693
5	47136501	1	PAKKINGMOER, , ASN HJE024694
6	47124937	1	KIT, FIP,
7	5192850	1	RING,
8	47124932	1	DICHTINGSSTUK,
9	47124933	1	SLUITRING,
10	47124934	1	SLUITRING,
11	47124935	1	SLUITRING,
12	47124936	1	CYLINDERKOP,



Ref	Onderdeelnummer	Kwt	Beschrijving
1	10903024	4	BOUT, Hex, M6 x 35, 8.8,
2	11903114	1	PLUG, M10 x 1.25 x 11,
3	10902824	2	BOUT, Hex, M6 x 30, 8.8,
4	11197774	6	WASHER, SPRING, Belleville, M6.4,
5	5183196	1	VASTE BUIS,
6	4858606	1	DICHTINGSSTUK, 10x14
7	5118568	1	RING,
8	13398376	1	RING, SNAP, M40, Int,
9	5179730	1	HYDROSTATISCHE POMP, ASSY
10	5118569	1	KOPPELING,
11	5118570	1	NAAF,
12	44015841	1	RESERVERING,
14	5179095	1	FLEXIBELE SLANG, L=635
15	13797813	1	SCHROEF, M6x10
13	5146468	1	O-RING, -113, CI 9, .549" ID x .103" Thk, 13.94x2.62

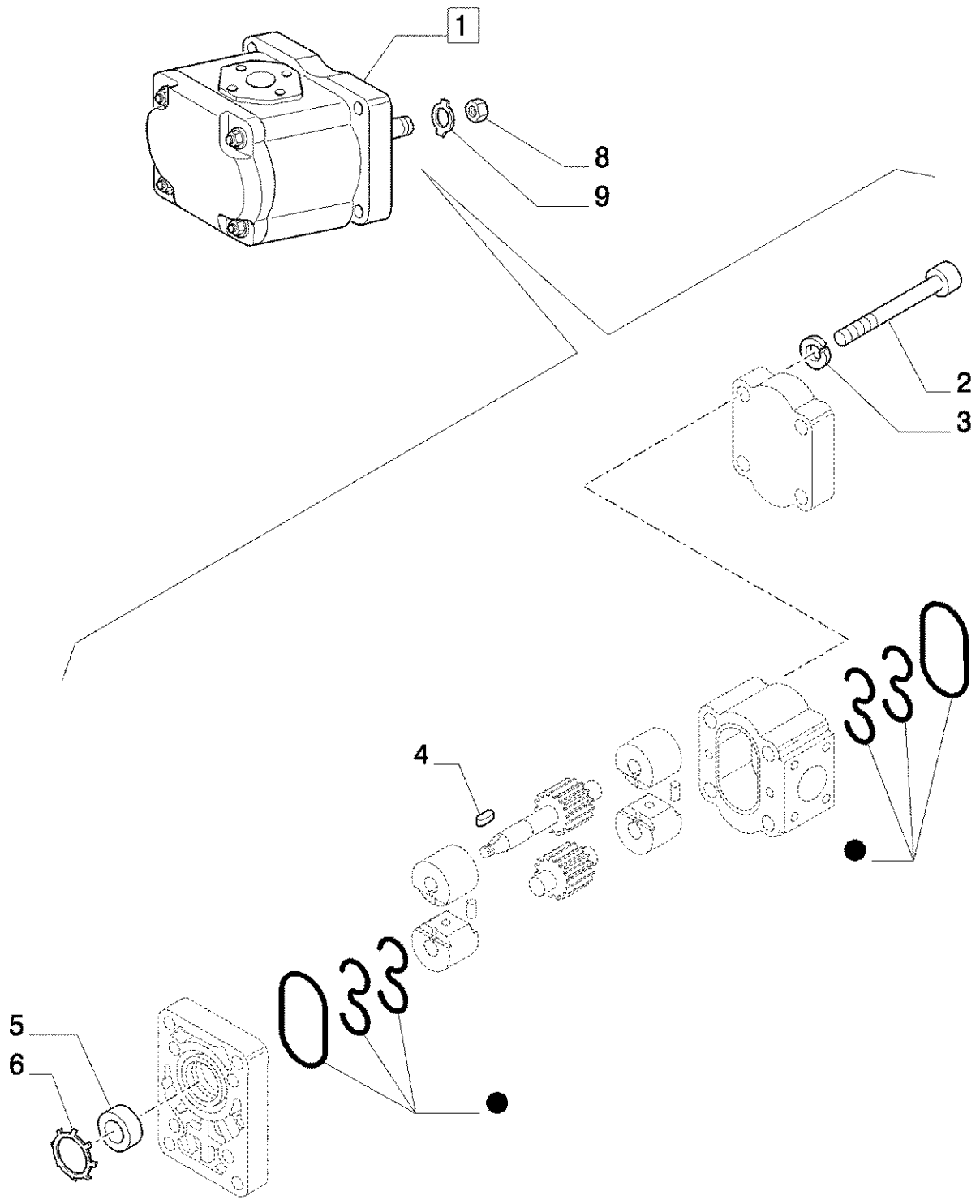
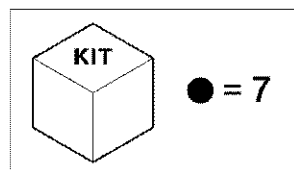
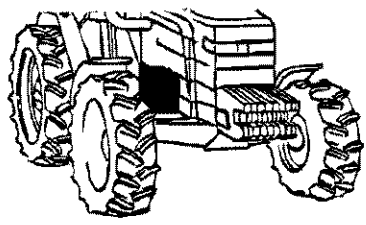


- 1.40.1/12 - 4WD
- 1.40.0/12 - 4WD
- 1.41.0 - 2WD



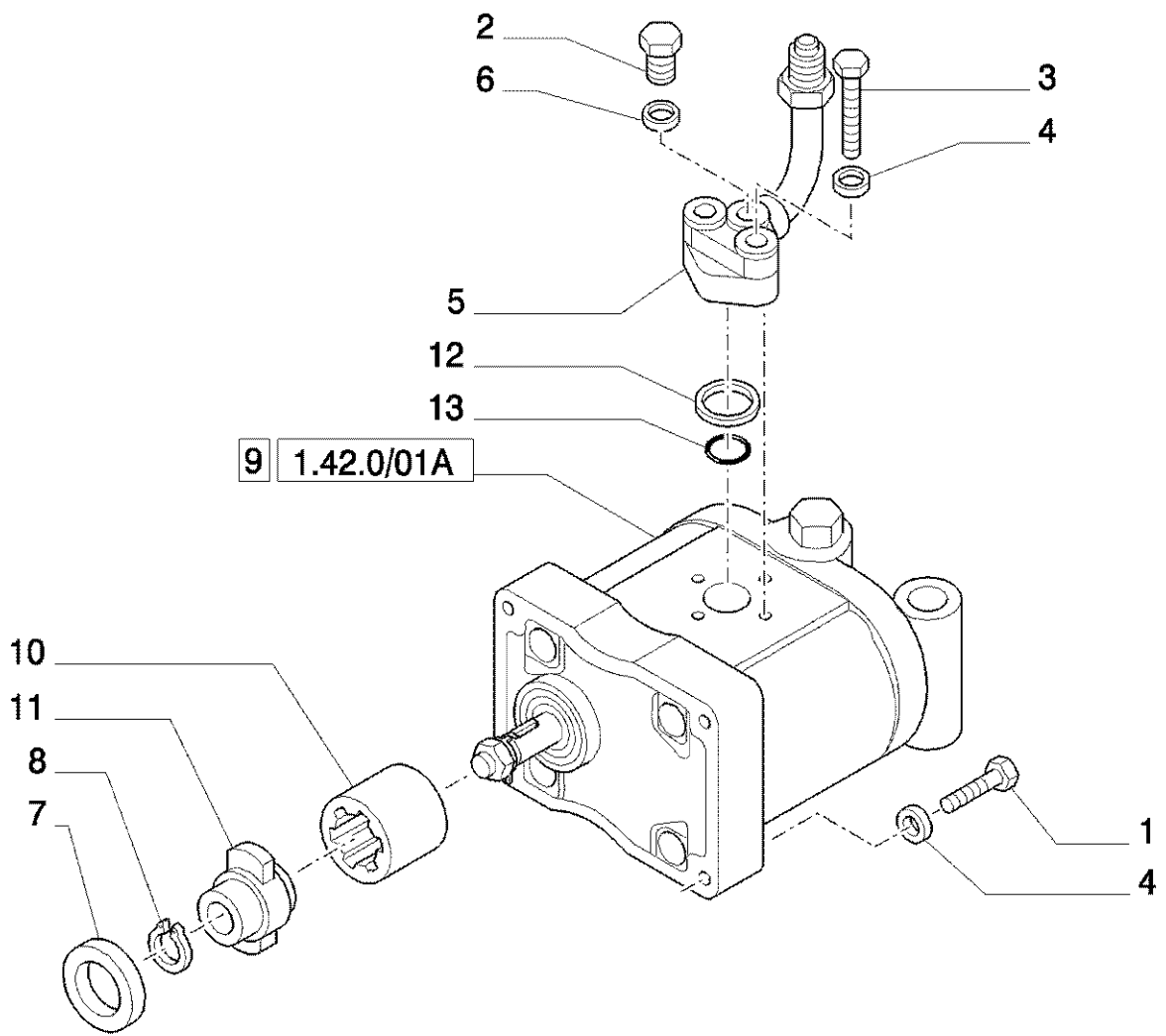
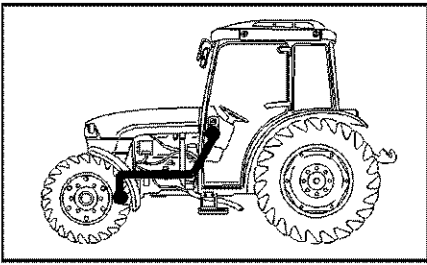
Ref	Onderdeelnummer	Kwt	Beschrijving
1	5170482	2	FLEXIBELE SLANG, 2WD
1	5184563	2	FLEXIBELE SLANG, 4WD
2	5158384	2	SPANKRAAG,
3	12644404	2	SLUITRING, M6 x 15 x 1,
4	10902124	2	BOUT, Hex, M6 x 14, 8.8, Full Thd,

1.42.0/ A HYDRAULISCHE POMP - COMPONENTEN

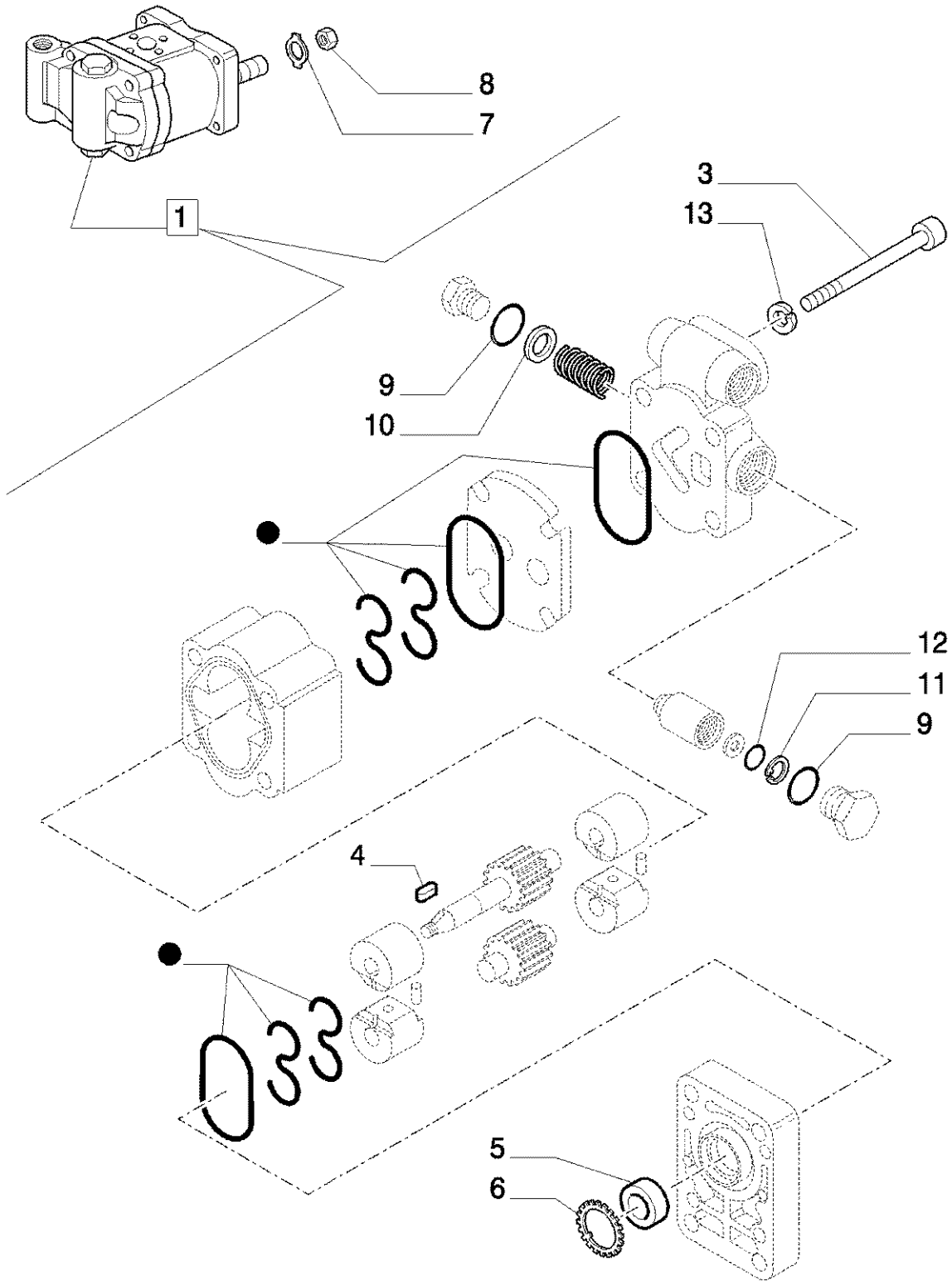
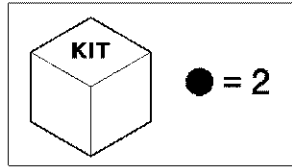
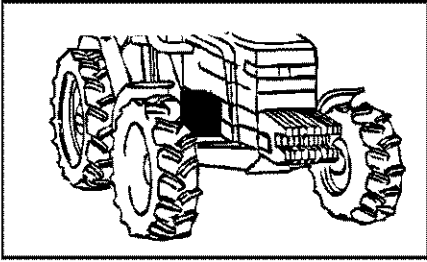


1.42.0/ A HYDRAULISCHE POMP - COMPONENTEN

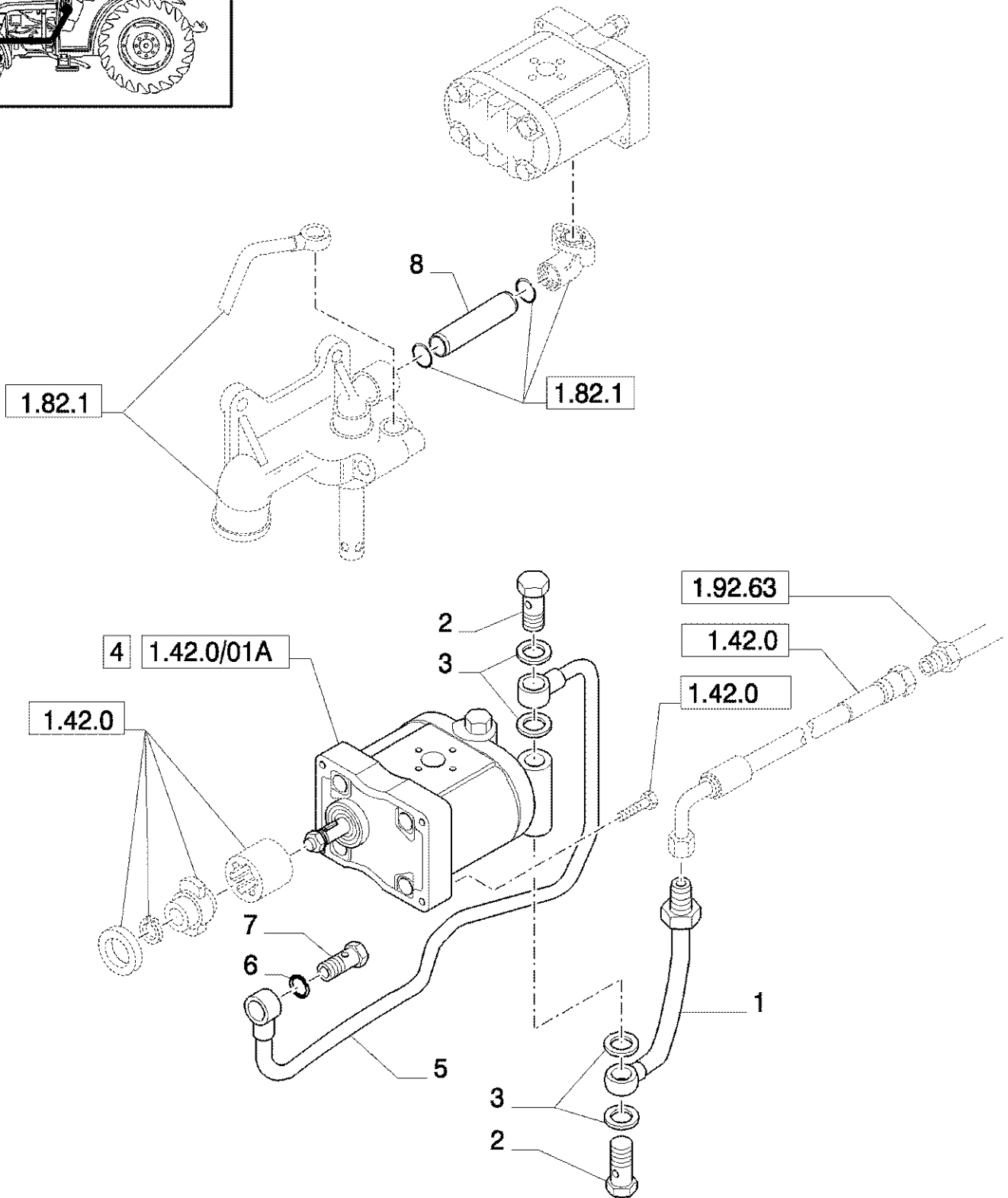
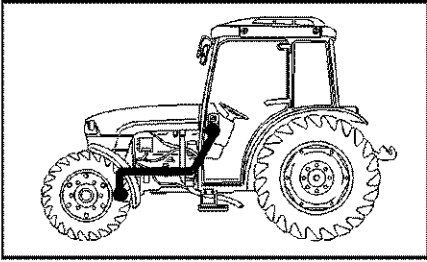
Ref	Onderdeelnummer	Kwt	Beschrijving
1	5179730	1	HYDROSTATISCHE POMP, ASSY
2	5120497	4	SCHROEF,
3	76026107	4	SLUITRING,
4	8273918	1	INLEGSPIE,
5	7984178	1	KIT,
6	9967847	1	VEERRING,
7	9967849	1	KIT,
8	8273919	1	MOER, 7/16"
9	8273920	1	VEERRING,



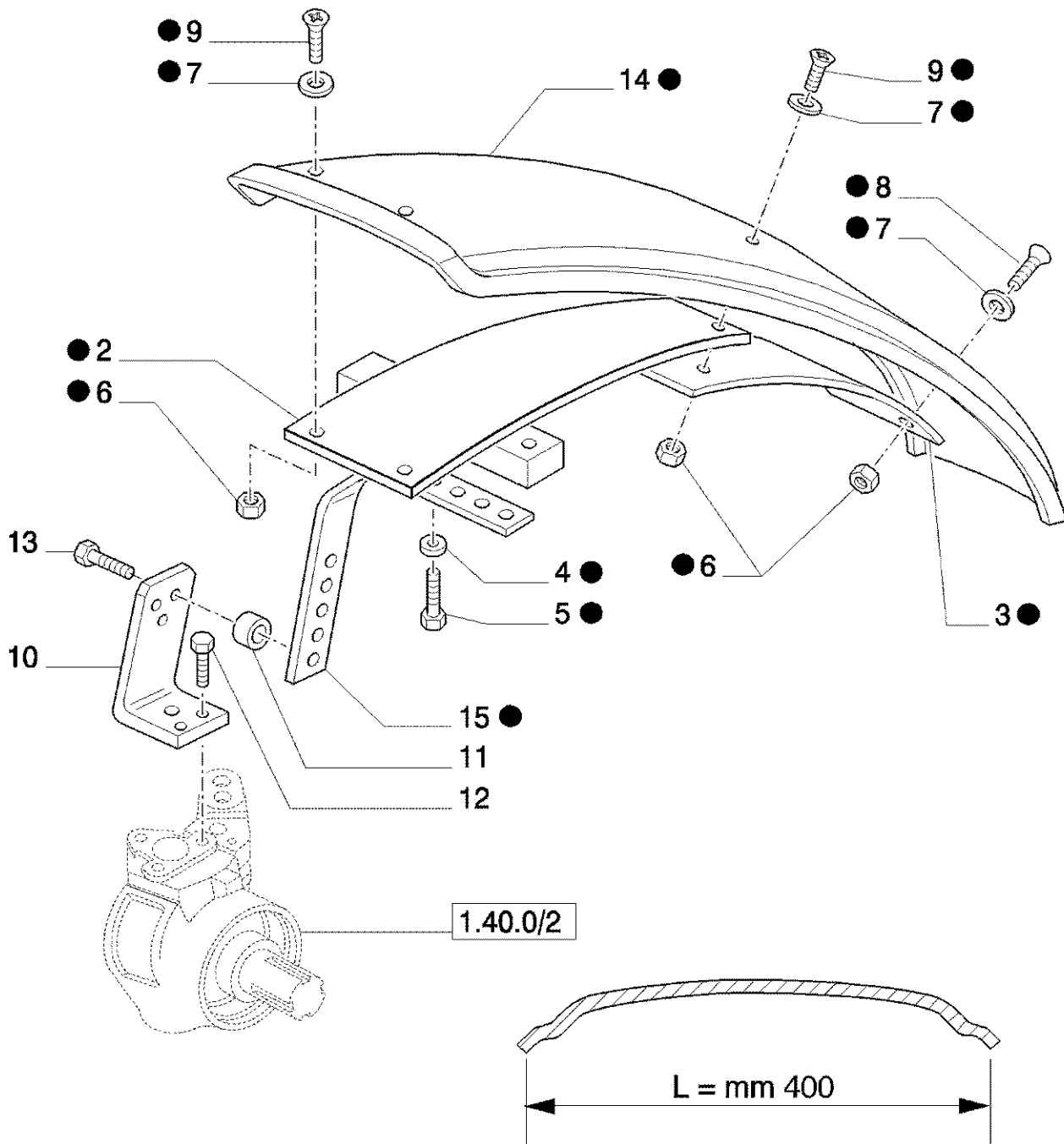
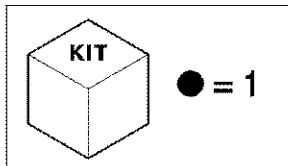
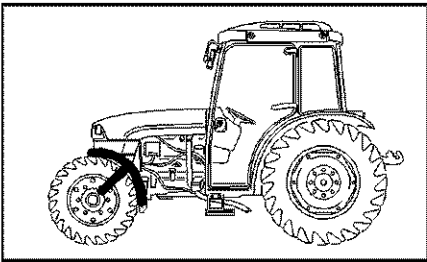
Ref	Onderdeelnummer	Kwt	Beschrijving
1	10903024	4	BOUT, Hex, M6 x 35, 8.8,
2	11903114	1	PLUG, M10 x 1.25 x 11,
3	10902824	2	BOUT, Hex, M6 x 30, 8.8,
4	11197774	6	WASHER, SPRING, Belleville, M6.4,
5	5183196	1	VASTE BUIS,
6	4858606	1	DICHTINGSSTUK, 10x14
7	5118568	1	RING,
8	13398376	1	RING, SNAP, M40, Int,
9	5180275	1	POMP, ASSY
10	5118569	1	KOPPELING,
11	5118570	1	NAAF,
12	44015841	1	RESERVERING,
13	5146468	1	O-RING, -113, CI 9, .549" ID x .103" Thk, 13.94x2.62



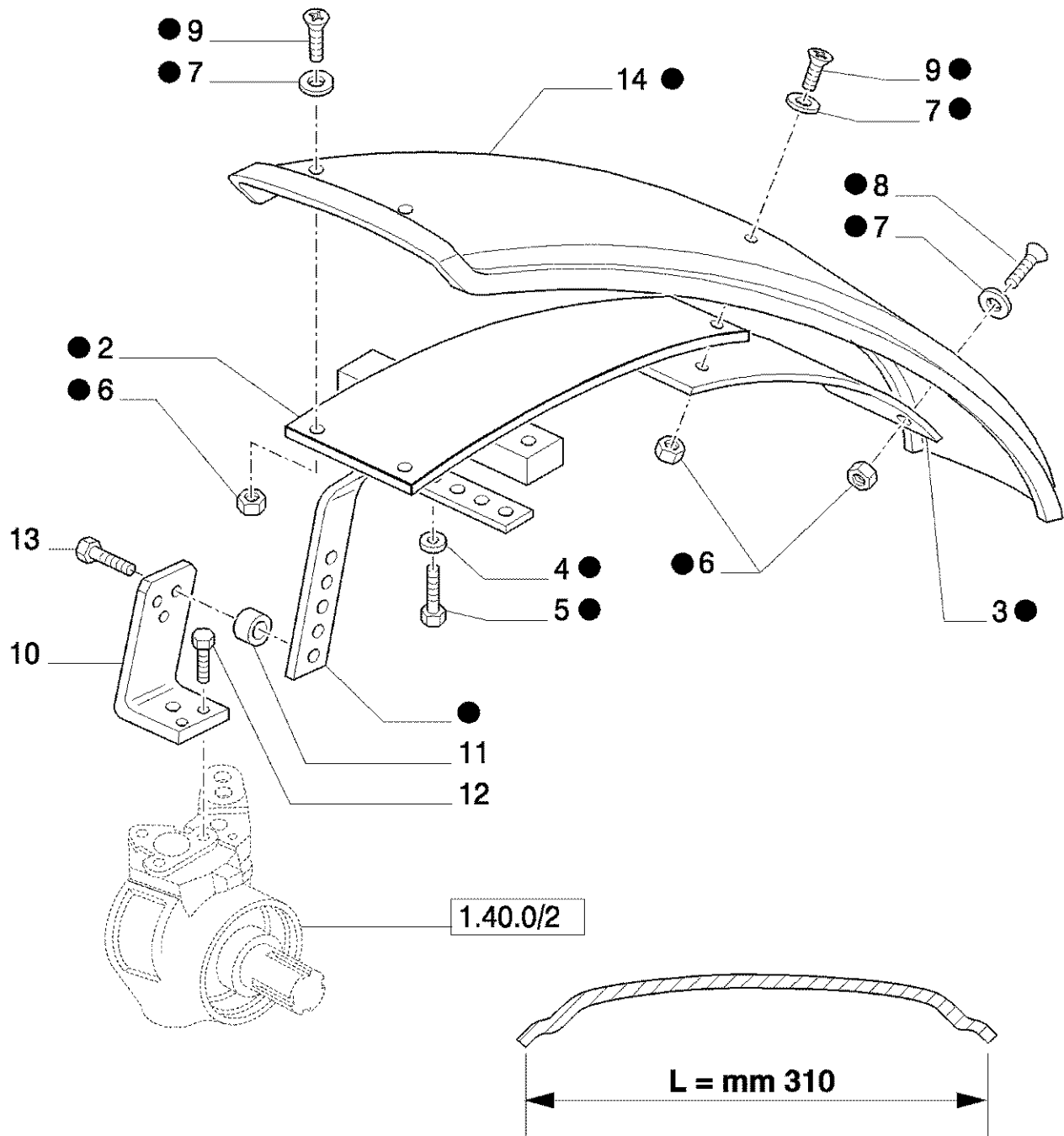
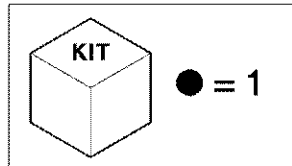
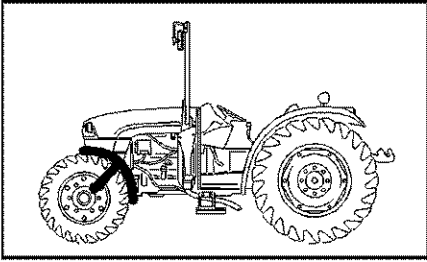
Ref	Onderdeelnummer	Kwt	Beschrijving
1	5180275	1	POMP, ASSY.
2	42481597	1	DICHTINGSKIT,
3	9970282	4	SCHROEF,
4	8273918	1	INLEGSPIE,
5	7984178	1	KIT,
6	9967847	1	VEERRING,
7	8273920	1	VEERRING,
8	8273919	1	MOER, 7/16"
9	84019077	2	O-RING, 21.x2.5
10	9970274	1	RING,
11	9970276	1	SLUITRING, 22x1
12	9970275	1	SLUITRING, 12x1
13	9970277	4	SLUITRING,



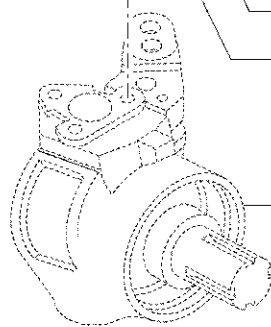
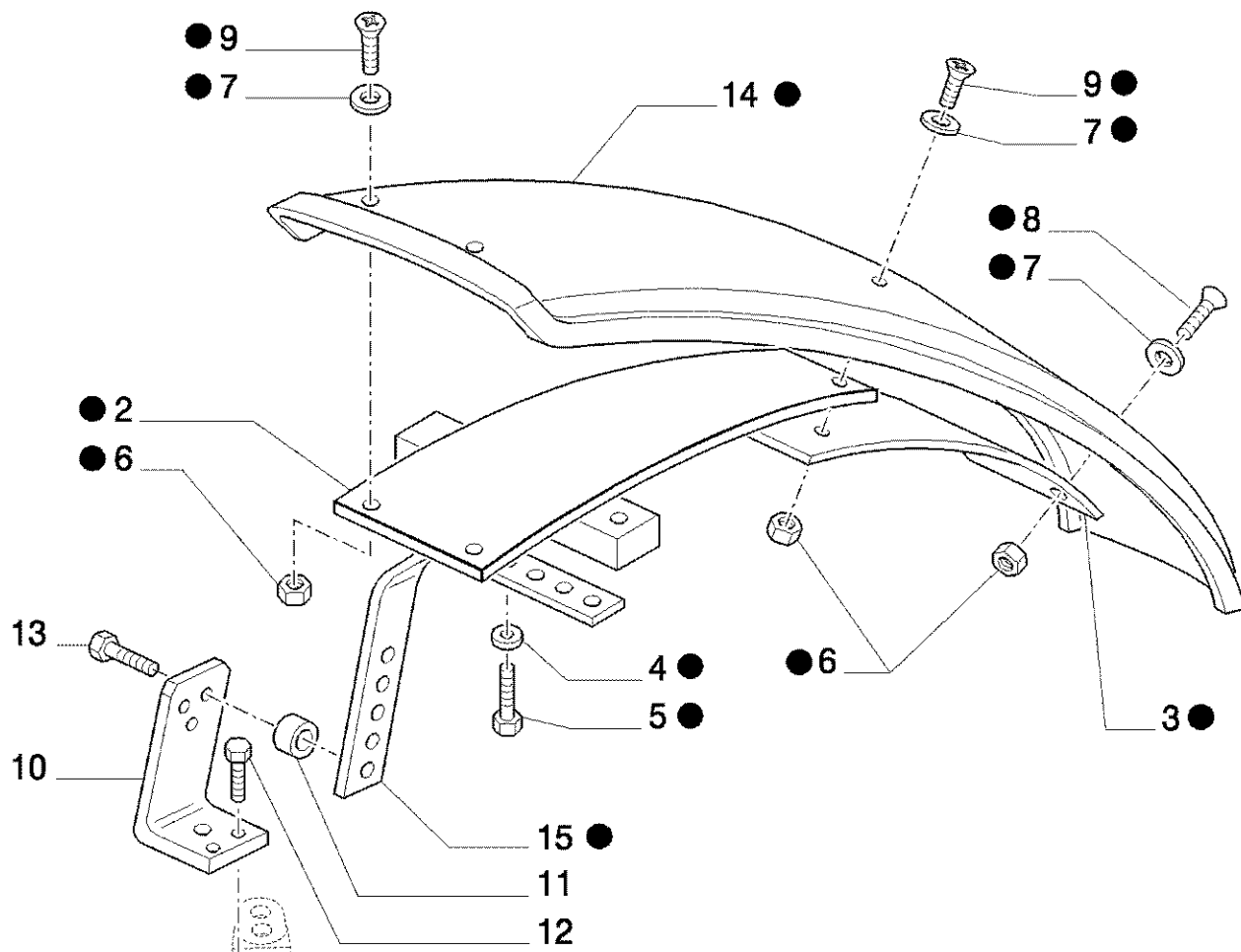
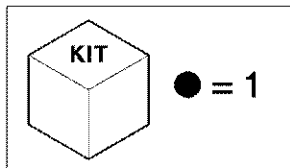
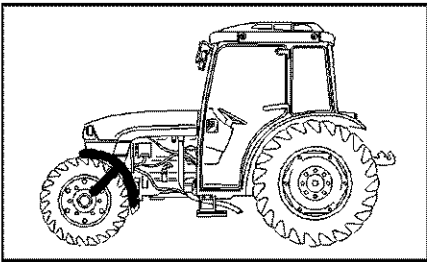
Ref	Onderdeelnummer	Kwt	Beschrijving
1	5181153	1	VASTE BUIS,
2	5184345	2	VERBINDINGSBOUT,
3	5167640	4	DICHTRING,
4	5180275	1	POMP, ASSY
5	5180992	1	VASTE BUIS,
6	10261660	2	WASHER, COPPER, M18.3 x 26 x 1.5, Copper,
6	4858609	2	O-RING, 16x22
7	10184417	1	VERBINDINGSBOUT, M16 x 1.5 x 31,
8	5184443	1	VASTE BUIS,



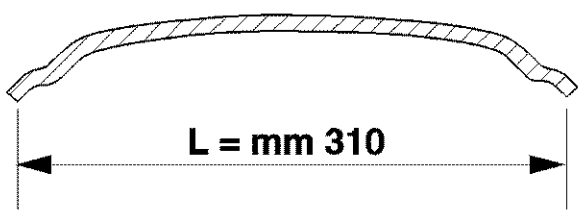
Ref	Onderdeelnummer	Kwt	Beschrijving
1	5186947	1	SPATBORD , VOORAAN, RH ASSY
1	5186948	1	SPATBORD , VOORAAN, LH ASSY
2	5179697	1	KADER, RH
2	5179698	1	KADER, LH
3	5179701	1	VERSTERKING, LH
3	5179705	1	VERSTERKING, RH
4	11190574	4	WASHER, SPRING, Belleville, M10.5,
5	16204524	4	BOUT, Hex, M10 x 35,
6	12574511	8	NUT, LOCK, M10 x 1.25, CI 8,
7	12644304	4	SLUITRING, M10 x 35 x 3,
8	14782514	2	SCHROEF, Cheese Hd, M10 x 25,
9	14782614	6	SCHROEF, Cheese Hd, M10 x 30,
10	5185292	2	STEUN, L/BRAKE
10	5185293	2	STEUN, W/BRAKE
11	5166193	4	AFSTANDSRING,
12	14233734	8	BOUT, Hex, M10 x 1.25 x 35, M10x35, W/BRAKE
12	14233930	6	SCHROEF, M10x45, L/BRAKE
13	14275134	4	BOUT, Hex, M12 x 1.25 x 60,
14	5185182	2	SPATBORD , VOORAAN,
15	5186928	2	ZUIL,



Ref	Onderdeelnummer	Kwt	Beschrijving
1	5186949	1	SPATBORD , VOORAAN, RH, ASSY
1	5186950	1	SPATBORD , VOORAAN, LH, ASSY
2	5179697	1	KADER, RH
2	5179698	1	KADER, LH
3	5179701	1	VERSTERKING, LH
3	5179705	1	VERSTERKING, RH
4	11190574	4	WASHER, SPRING, Belleville, M10.5,
5	16204524	4	BOUT, Hex, M10 x 35,
6	12574511	8	NUT, LOCK, M10 x 1.25, CI 8,
7	12644304	4	SLUITRING, M10 x 35 x 3,
8	14782514	2	SCHROEF, Cheese Hd, M10 x 25,
9	14782614	6	SCHROEF, Cheese Hd, M10 x 30,
10	5185293	2	STEUN, W/BRAKE
10	5185292	2	STEUN, L/BRAKE
11	5166193	4	AFSTANDSRING,
12	14233931	8	SCHROEF, M10x45, L/BRAKE
12	14233734	6	BOUT, Hex, M10 x 1.25 x 35, M10x35, W/BRAKE
13	14275121	4	SCHROEF, M12x60
14	5137714	2	SPATBORD , VOORAAN,
15	5186928	2	ZUIL,



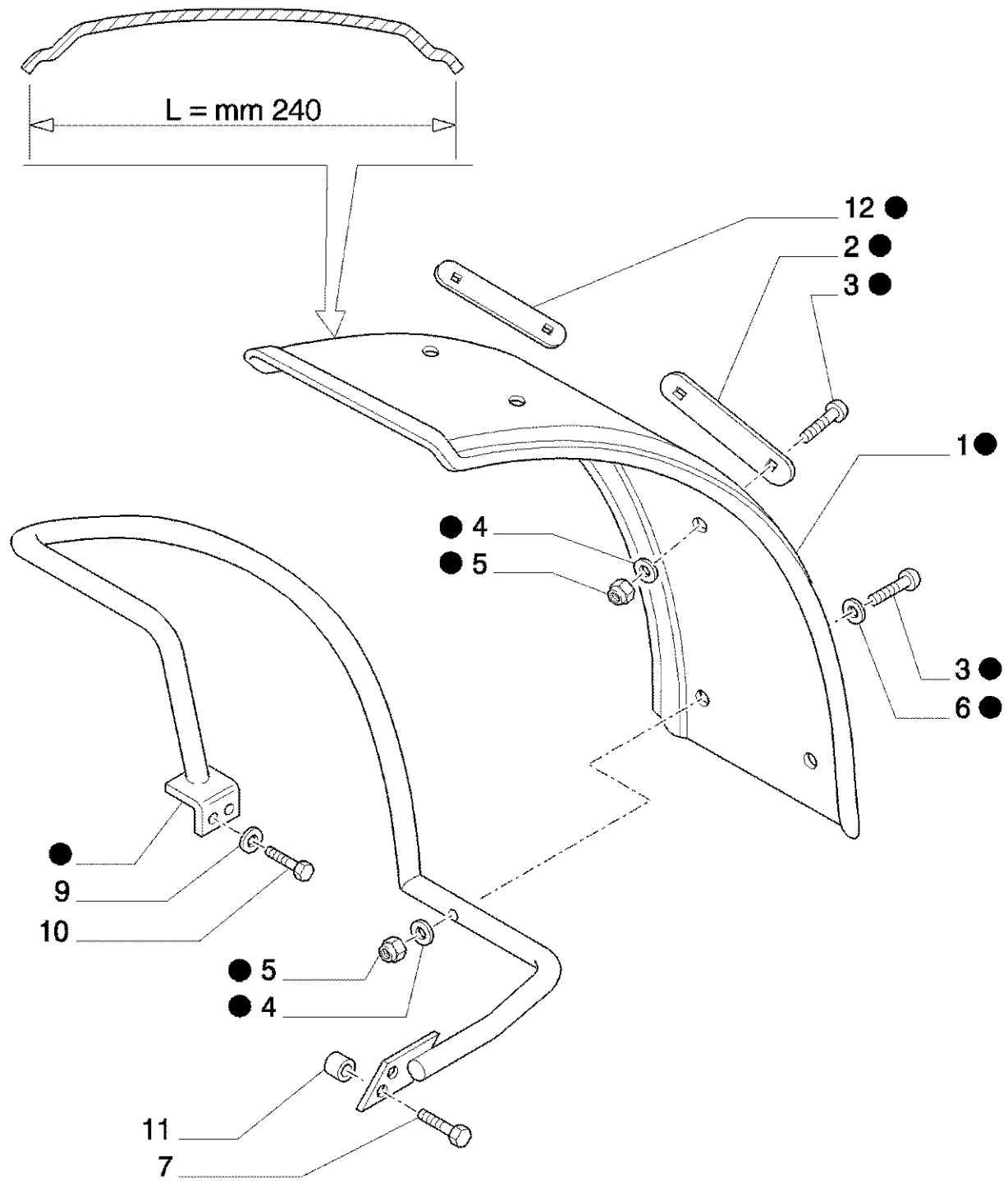
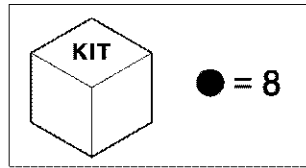
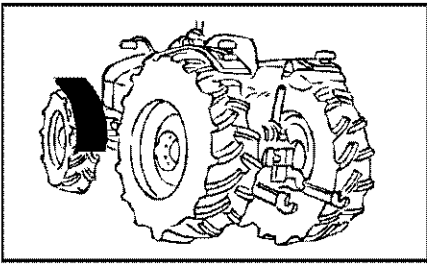
1.40.0/2



FOR 16" TYRES

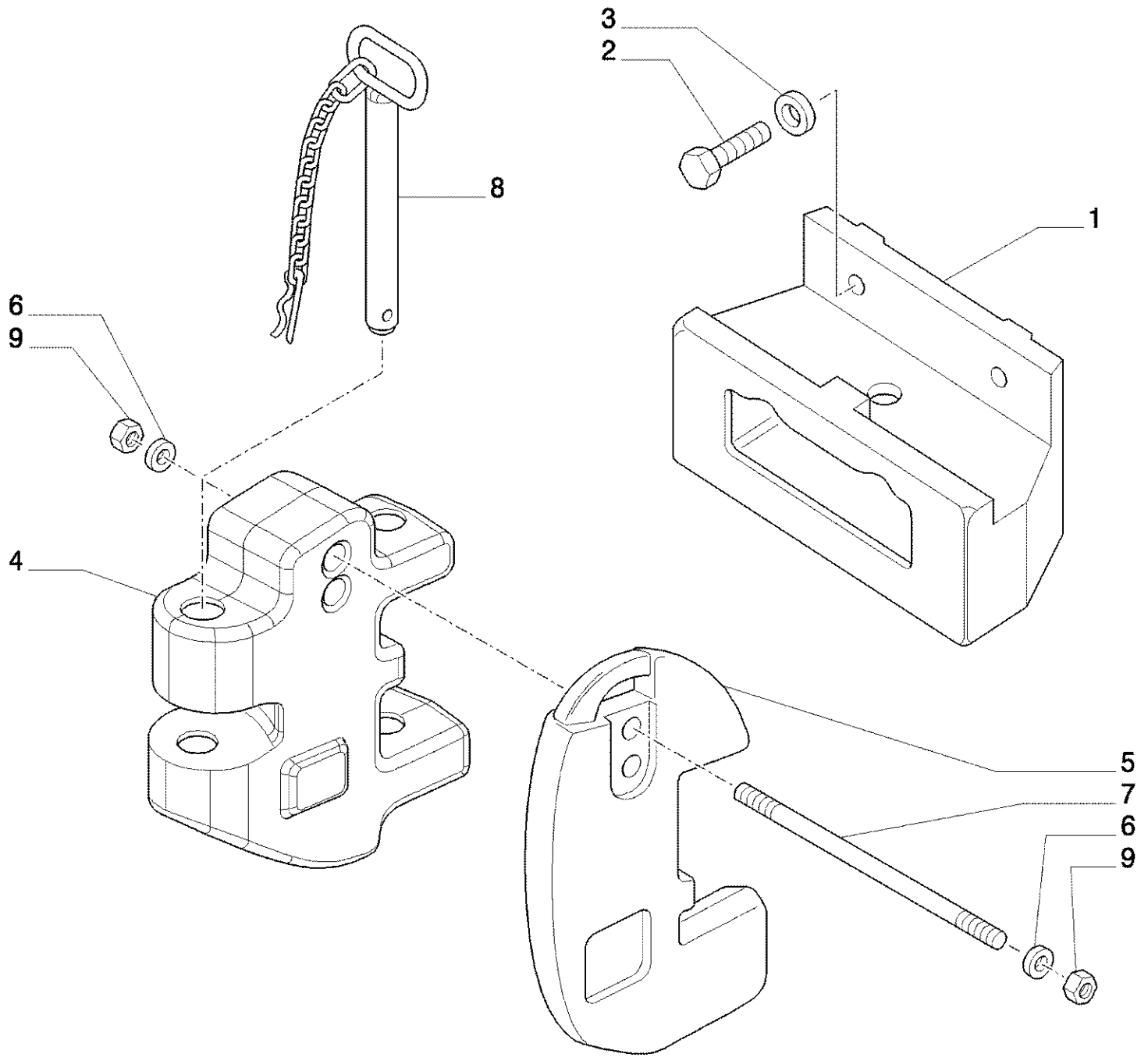
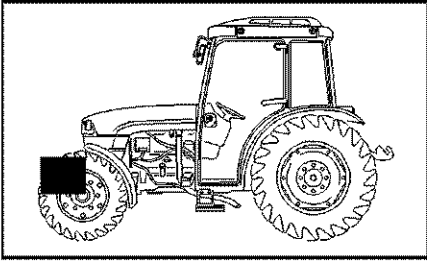


Ref	Onderdeelnummer	Kwt	Beschrijving
1	5185420	1	SPATBORD , VOORAAN, LH, ASSY
1	5185421	1	SPATBORD , VOORAAN, RH, ASSY
2	5179697	1	KADER, RH
2	5179698	1	KADER, LH
3	5179701	1	VERSTERKING, LH
3	5179705	1	VERSTERKING, RH
4	11190574	4	WASHER, SPRING, Belleville, M10.5,
5	16204524	4	BOUT, Hex, M10 x 35,
6	12574511	8	NUT, LOCK, M10 x 1.25, CI 8,
7	12644304	4	SLUITRING, M10 x 35 x 3,
8	14782514	2	SCHROEF, Cheese Hd, M10 x 25,
9	14782614	6	SCHROEF, Cheese Hd, M10 x 30,
10	5185292	2	STEUN, L/BRAKE
10	5185293	2	STEUN, W/BRAKE
11	5166193	4	AFSTANDSRING,
12	14233734	8	BOUT, Hex, M10 x 1.25 x 35, M10x35, W/BRAKE
12	14233930	6	SCHROEF, M10x45, L/BRAKE
13	14275134	4	BOUT, Hex, M12 x 1.25 x 60,
14	5179784	2	SPATBORD , VOORAAN,
15	5179710	2	ZUIL,



Ref	Onderdeelnummer	Kwt	Beschrijving
1	5125270	2	SPATBORD , VOORAAN,
2	5122260	2	PLAAT, AFSCHERMING, L=230
3	5186916	12	SCHROEF, M8x45
4	12605574	12	VEERRING,
5	16102311	12	MOER, Thin, M8 x 1.25, CI 04,
6	14496504	12	SLUITRING, M8 x 17 x 1.6,
7	16215324	2	BOUT, Hex, M14 x 90,
8	5185356	1	SPATBORD , VOORAAN, LH, ASSY
8	5185403	1	SPATBORD , VOORAAN, RH, ASSY
9	11190574	4	WASHER, SPRING, Belleville, M10.5,
10	15970724	4	BOUT, Hex, M10 x 1.25 x 25, 8.8, Full Thd,
11	5125186	2	AFSTANDSRING, 17 x 32 x 8
12	5122259	4	VERSTERKING, L=150

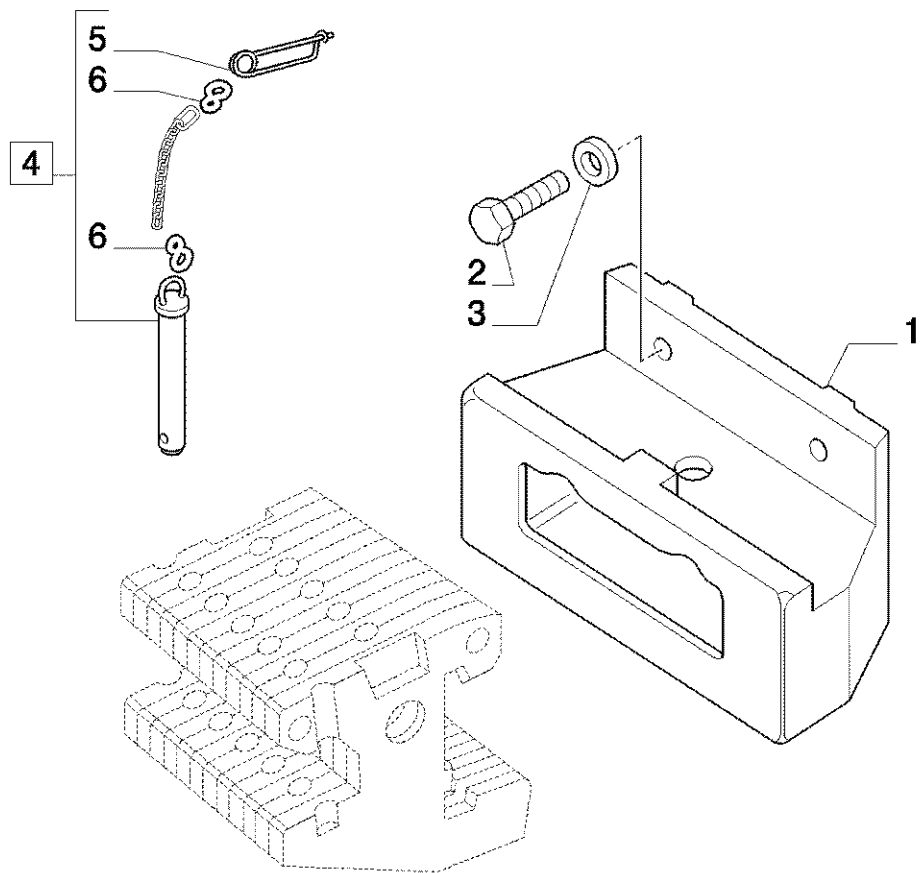
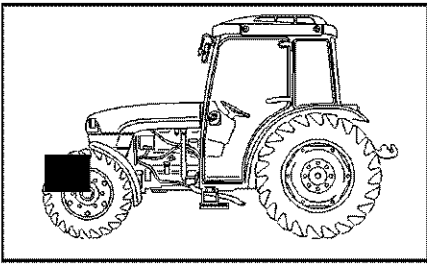
1.44.0 SUPPORT EN VOORSTE BALLASTEN



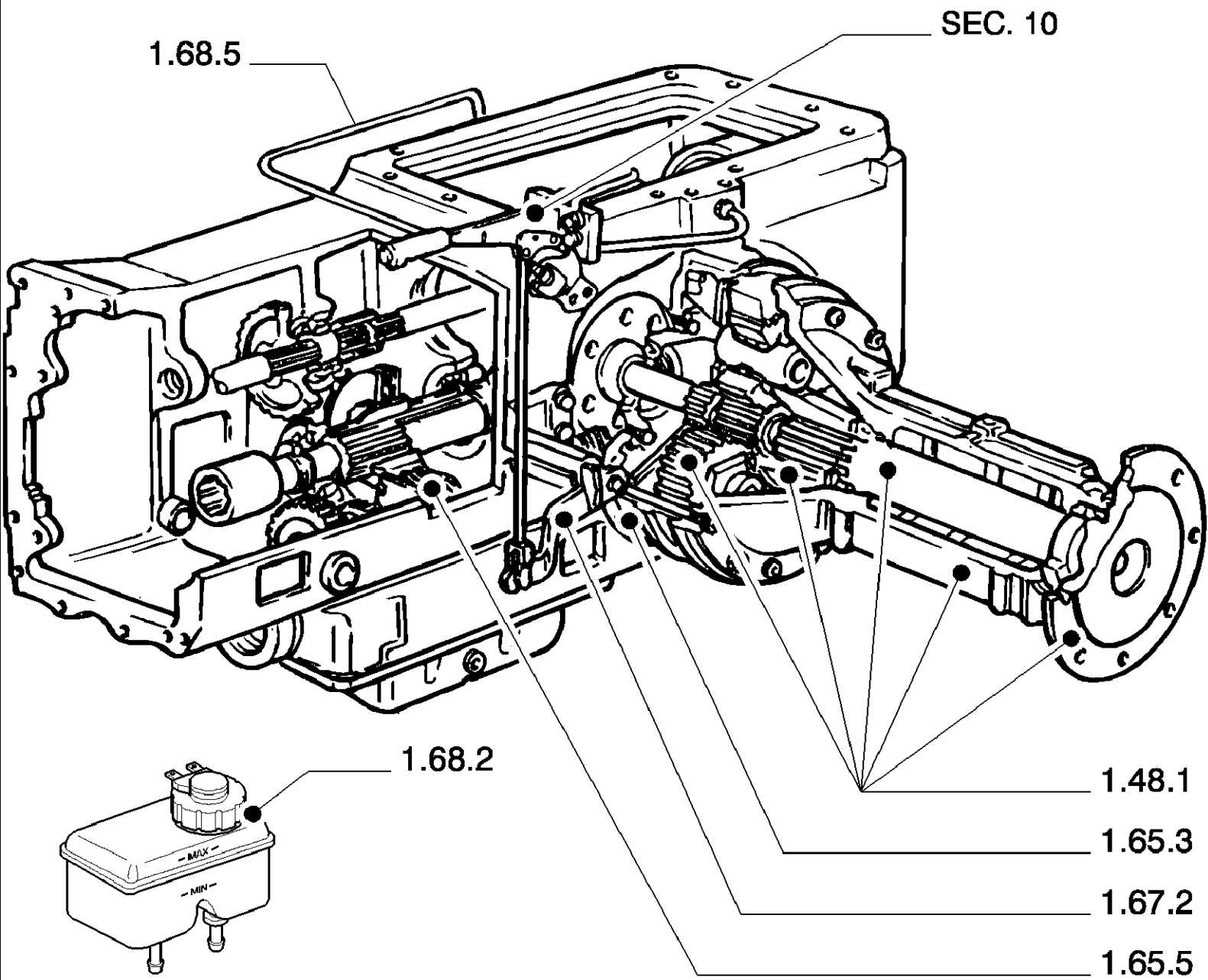
1.44.0 SUPPORT EN VOORSTE BALLASTEN

Ref	Onderdeelnummer	Kwt	Beschrijving
1	47123848	1	STEUN, 2WD
2	11125121	4	BOUT, Hex, M20 x 70, 8.8, 2WD
3	11191774	4	VEERRING, 20x38, 2WD
4	47056274	1	BALLAST, 40KG/88LB
4	87325015	1	BALLAST, 75KG/165LB
5	47056219	4	BALLAST,
6	44018768	2	SLUITRING, 17x55
7	5179588	1	TREKSTANG,
8	47132417	1	PEN, VAR.168/2
9	12164124	2	MOER, M16 x 1.5, CI 8,

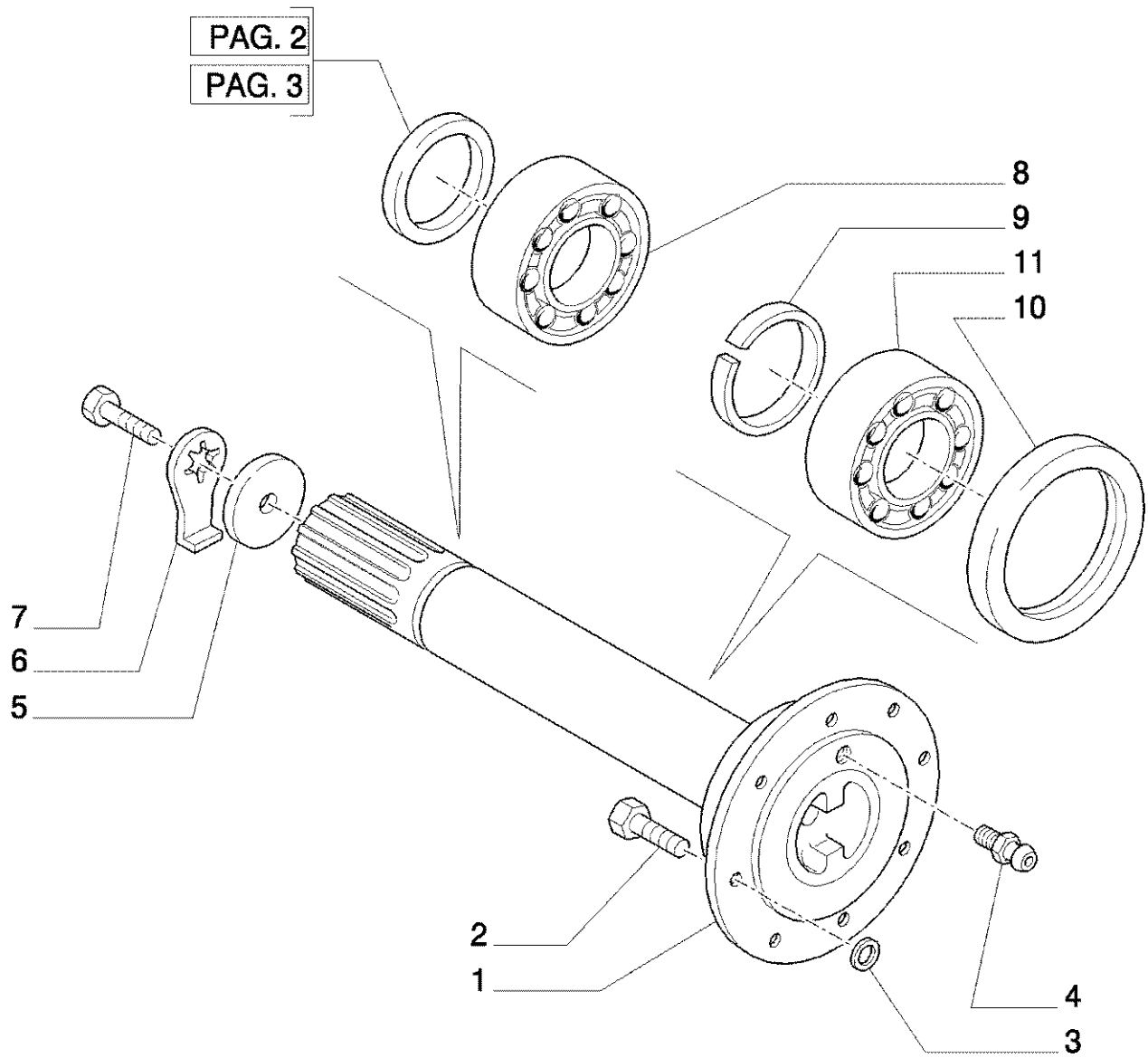
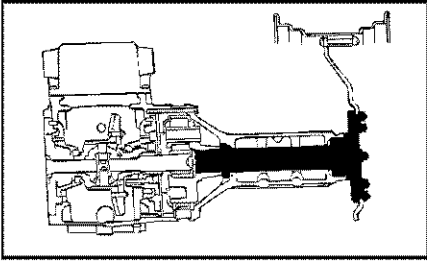
1.44.0/01 (VAR.225) SUPPORT VOORSTE BALLAST MET GEÏNTEGREERDE TREKHAAK



Ref	Onderdeelnummer	Kwt	Beschrijving
1	47123848	1	STEUN,
2	11125131	4	BOUT, Hex, M20 x 70, 10.9,
3	11191774	4	VEERRING, 20x38
4	5184442	1	PEN,
5	5152004	1	SLUITPEN,
6	559917	2	PEN,



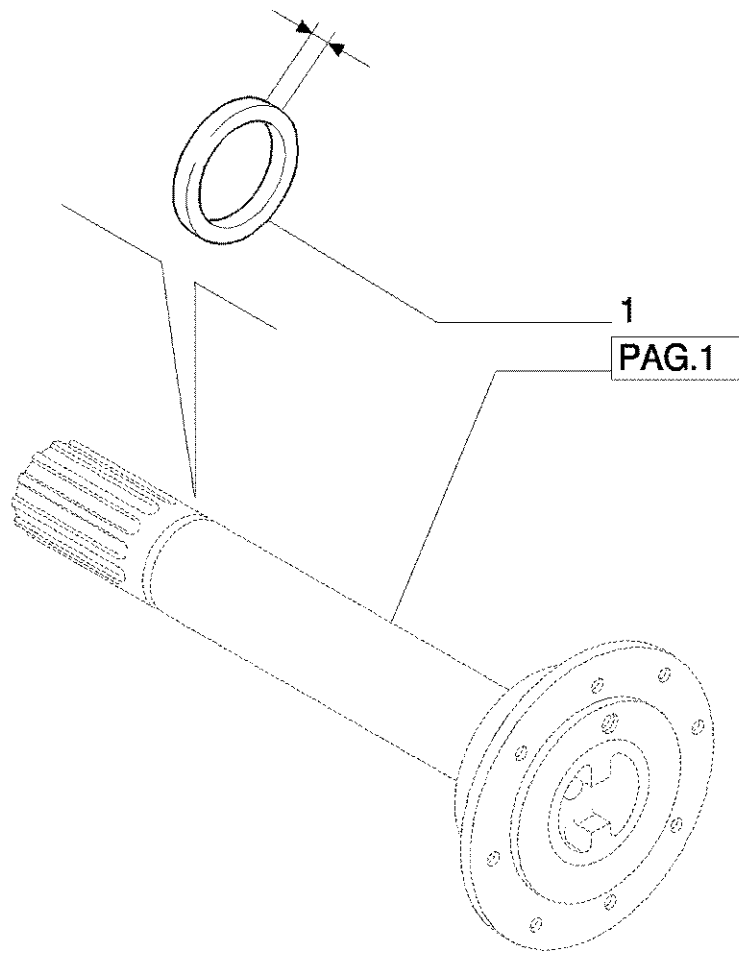
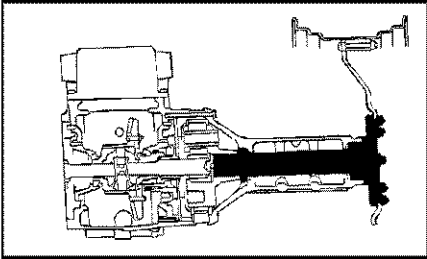
Ref	Onderdeelnummer	Kwt	Beschrijving



360 KOMPAKT TRACTOR (4/03-) - Achteras

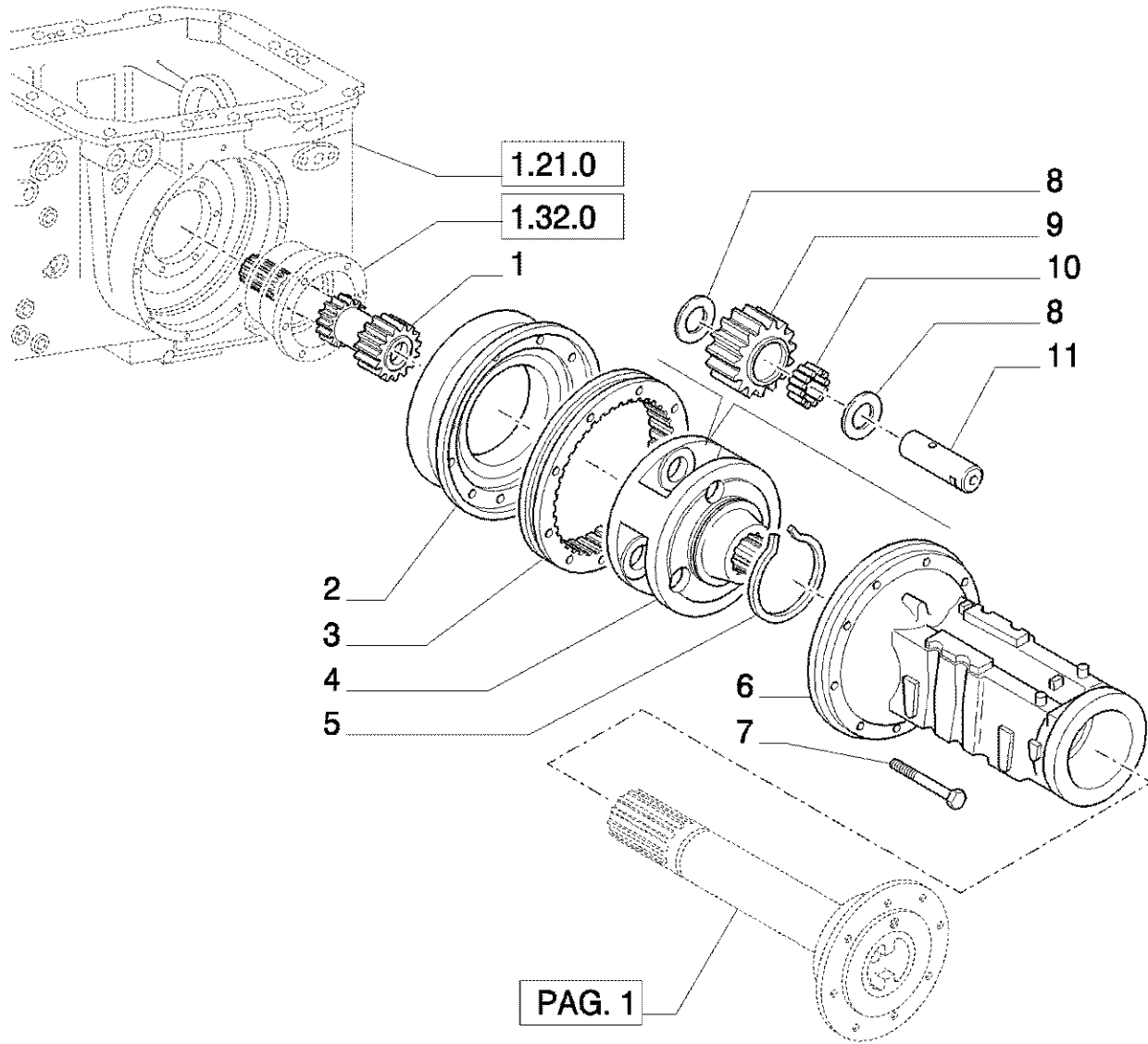
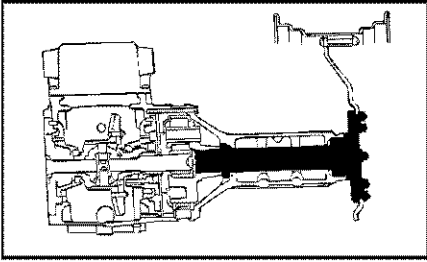
1.48.1(01) RADERWERKEN LATERALE REDUCTOR

Ref	Onderdeelnummer	Kwt	Beschrijving
1	5176550	2	AANDRIJFAS, 370, 375
1	5178695	2	AANDRIJFAS, 360
2	15983824	16	BOUT, Hex, M18 x 1.5 x 35, 8.8, Full Thd,
3	10520304	16	SLUITRING, M18 x 32 x 4,
4	13407211	2	SMEERNIPPEL, M10 x 1,
5	4997201	2	SCHIJF, 370, 375
5	5128476	2	SCHIJF, 16.5x65x8, 360
6	4997202	2	BORGPLAAT,
7	14258031	2	BOUT, Hex, M16 x 1.5 x 45,
8	20141040	2	LAGER, KOGEL, 60x110x22, 370, 375
8	26794660	2	LAGER, KOGEL, 50 x 90 x 20, 360
9	5123371	2	AFSTANDSRING, 360
9	5152729	2	AFSTANDSRING, 370, 375
10	5131916	2	DICHTINGSSTUK, 85x110, 360
10	5135387	2	DICHTINGSRING, 90x120, 370, 375
11	26794670	2	LAGER, KOGEL, 65x120x23, 370, 375
11	20141040	2	LAGER, KOGEL, 60x110x22, 360



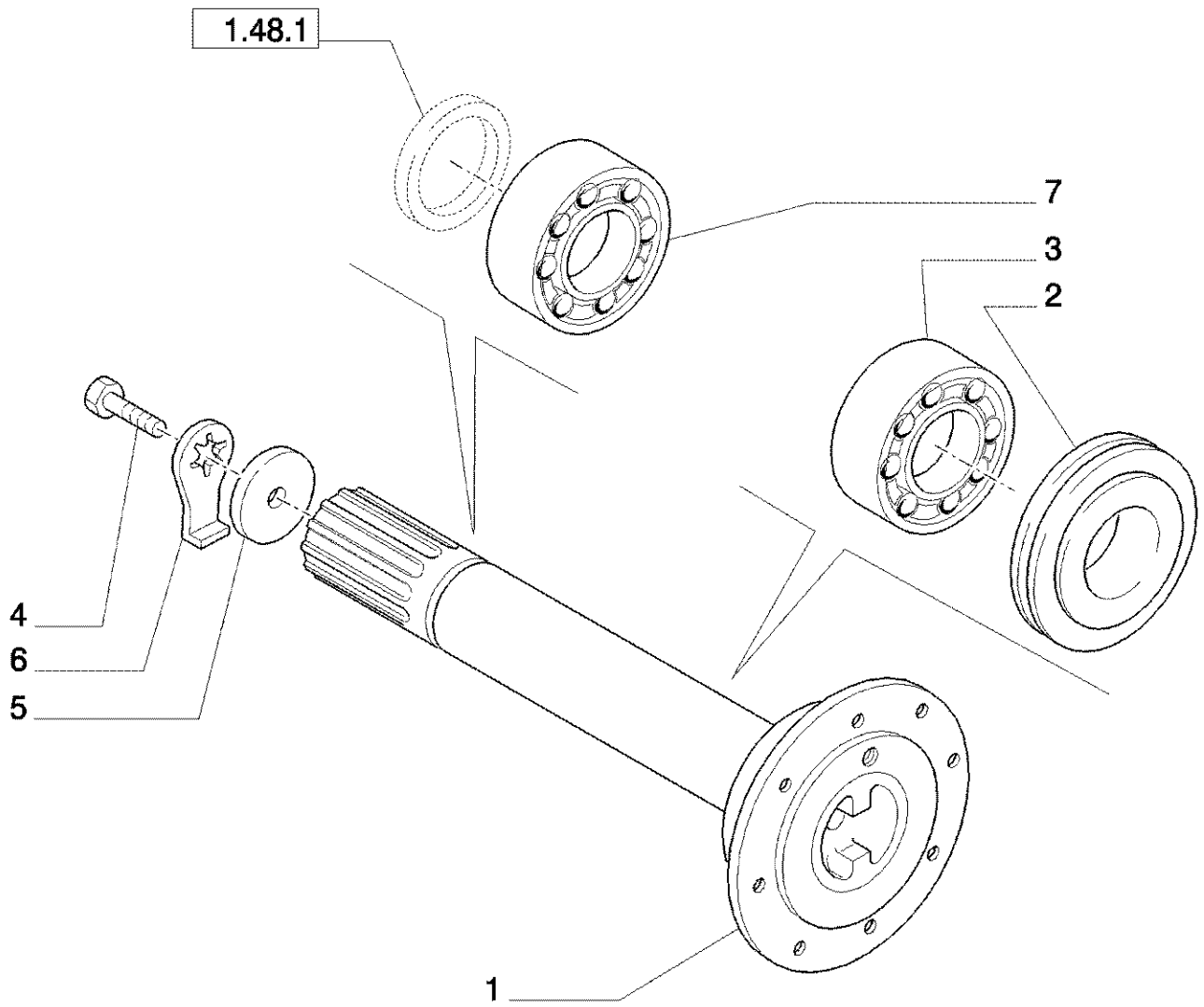
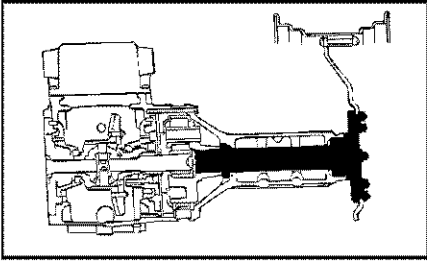
1.48.1(02) RADERWERKEN LATERALE REDUCTOR

Ref	Onderdeelnummer	Kwt	Beschrijving
1	5119898	AR	DIKTEPLAAT, MM.3.5
1	5119899	AR	DIKTEPLAAT, MM.3.6
1	5119900	AR	DIKTEPLAAT, MM.3.7
1	5119901	AR	DIKTEPLAAT, MM.3.8
1	5119902	AR	DIKTEPLAAT, MM.3.9
1	5119903	AR	DIKTEPLAAT, MM.4.0
1	5119904	AR	DIKTEPLAAT, MM.4.1
1	5119905	AR	DIKTEPLAAT, MM.4.2
1	5119906	AR	DIKTEPLAAT, MM.4.3
1	5119907	AR	DIKTEPLAAT, MM.4.4
1	5119908	AR	DIKTEPLAAT, MM.4.5
1	5119909	AR	DIKTEPLAAT, MM.4.6
1	5119910	AR	DIKTEPLAAT, MM.4.7
1	5119911	AR	DIKTEPLAAT, MM.4.8

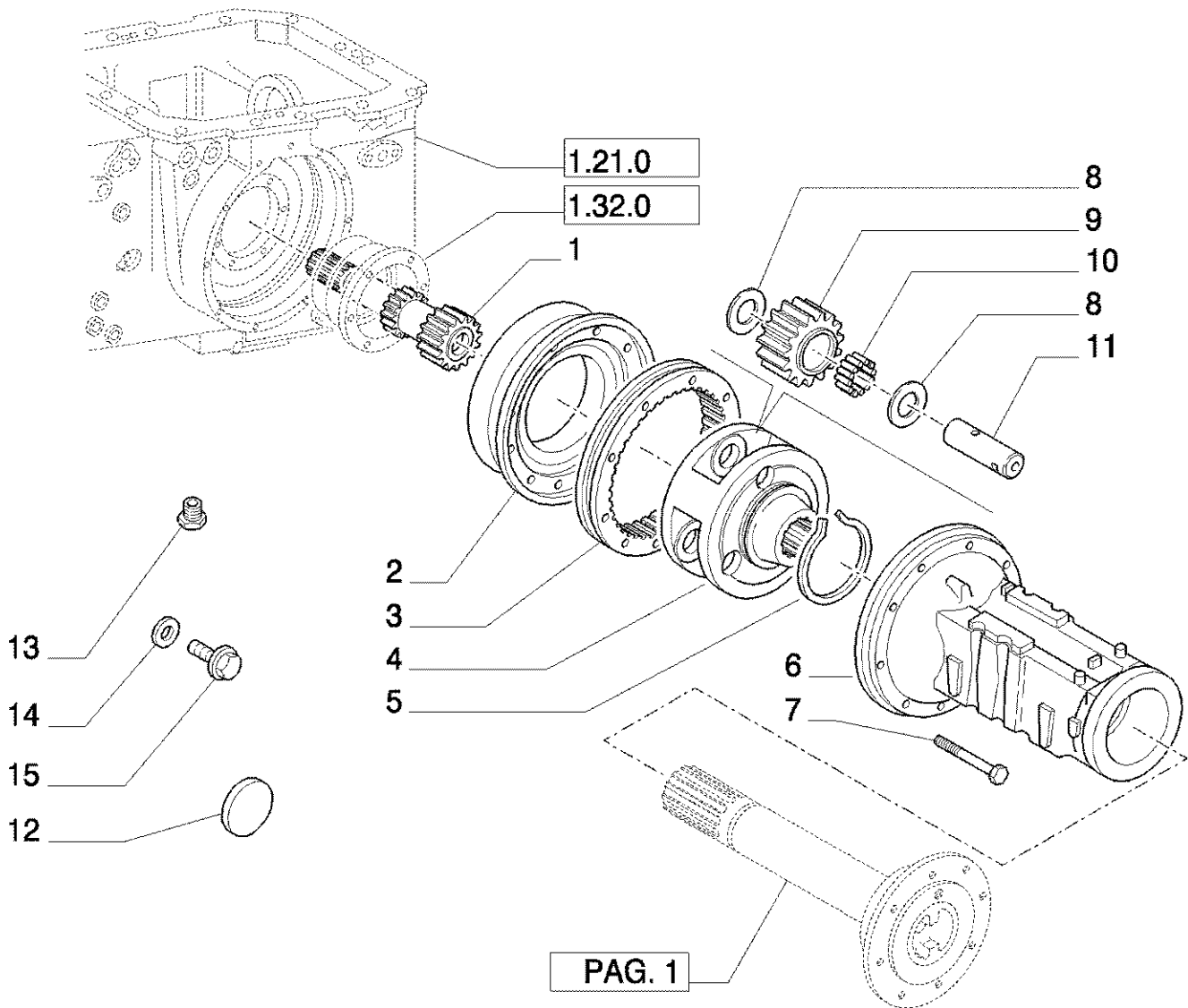
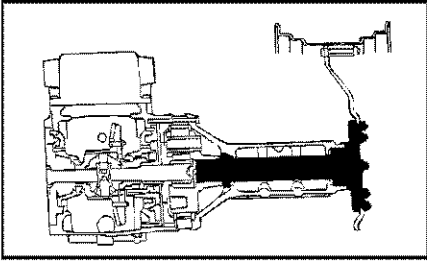


1.48.1(04) RADERWERKEN LATERALE REDUCTOR

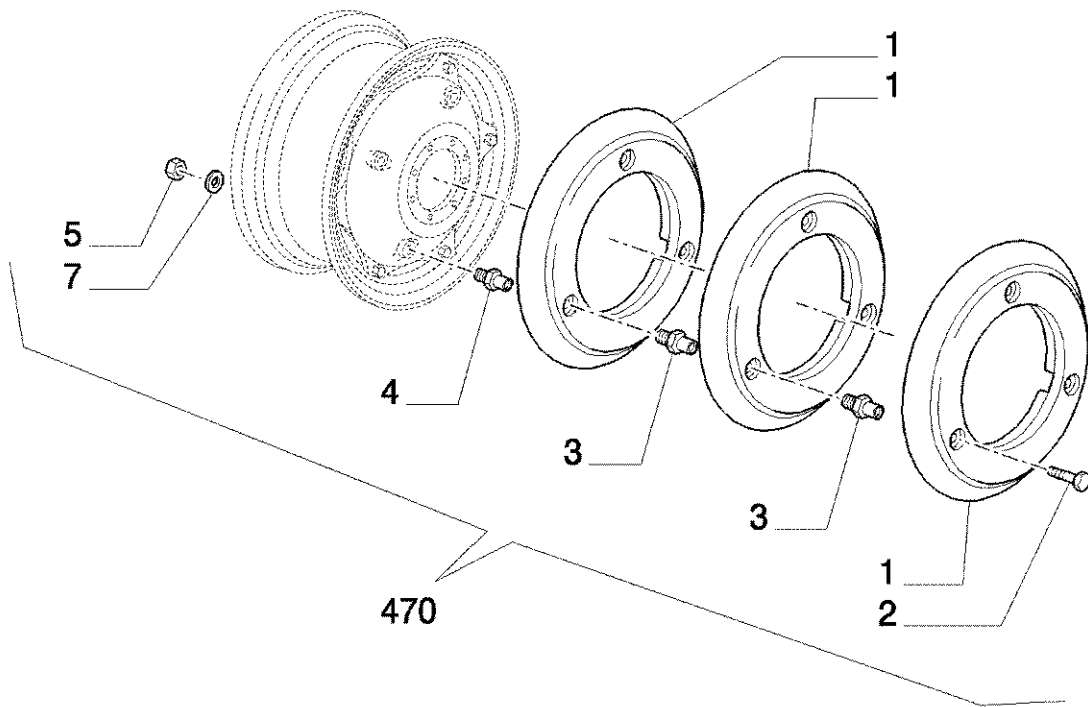
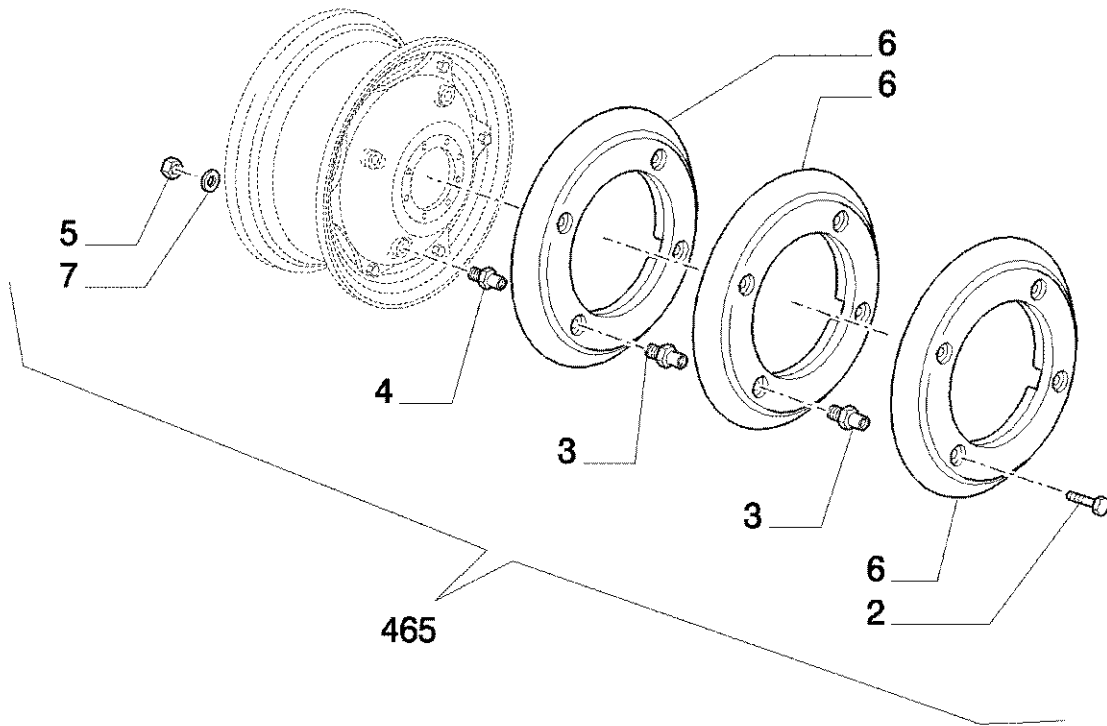
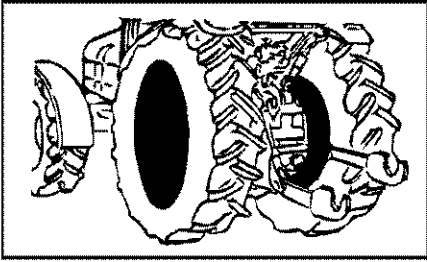
Ref	Onderdeelnummer	Kwt	Beschrijving
1	5180626	1	DRAAGAS, LH
1	5180629	1	DRAAGAS, RH
2	5172087	2	AFSTANDSRING,
3	5178624	2	KROONWIEL,
4	5125331	2	SATELIETDRAGER,
5	4998883	2	BORGVEER, D=119
6	5178637	2	EINDREDUCTIEKAST,
7	15978121	2	BOUT, Hex, M14 x 1.5 x 120, 8.8,
8	4997200	12	SLUITRING DRUKPLAAT,
9	5178623	12	TANDWIEL,
10	5124311	12	STEL RINGEN +0.8,
11	5124312	6	PEN,



Ref	Onderdeelnummer	Kwt	Beschrijving
1	5182073	2	AANDRIJFAS, 370, 375
1	5182134	2	AANDRIJFAS, 360
2	5144973	2	DICHTINGSRING, 104x135x28
3	26794670	2	LAGER, KOGEL, 65x120x23
4	14258031	2	BOUT, Hex, M16 x 1.5 x 45,
5	4997201	2	SCHIJF, 370, 375
5	5128476	2	SCHIJF, 16.5x65x8, 360
6	4997202	2	BORGPLAAT,
7	20141040	2	LAGER, KOGEL, 60x110x22



Ref	Onderdeelnummer	Kwt	Beschrijving
1	5180630	1	DRAAGAS, RH, 370, 375
1	5180631	1	DRAAGAS, LH, 370, 375
1	5180629	1	DRAAGAS, RH, 360
1	5180626	1	DRAAGAS, LH, 360
2	5172087	2	AFSTANDSRING,
3	5168232	2	KROONWIEL, 370, 375
3	5178624	2	KROONWIEL, 360
4	5168229	2	SATELIETDRAGER, 370, 375
4	5125331	2	SATELIETDRAGER, 360
5	4998883	2	BORGVEER, D=119
6	5182113	2	EINDREDUCTIEKAST, 370, 375
6	5182283	2	EINDREDUCTIEKAST, 360
7	15978121	15	BOUT, Hex, M14 x 1.5 x 120, 8.8,
7	11422124	19	BOUT, Hex, M14 x 1.5 x 130, 8.8,
7	15978124	19	BOUT, Hex, M14 x 120, 8.8,
8	4997200	12	SLUITRING DRUKPLAAT,
9	5168231	12	TANDWIEL, 370, 375
9	5178623	12	TANDWIEL, 360
10	5168230	12	LAGER, 370, 375
10	5124311	12	STEL RINGEN +0.8, 360
11	5124312	6	PEN,
12	14328201	1	PLUG, M10, Tapered,
13	5145574	1	PLUG, D=7
14	10261760	2	WASHER, COPPER, M20.3 x 28 x 1.5, Copper,
15	5198705	4	PLUG, H=20

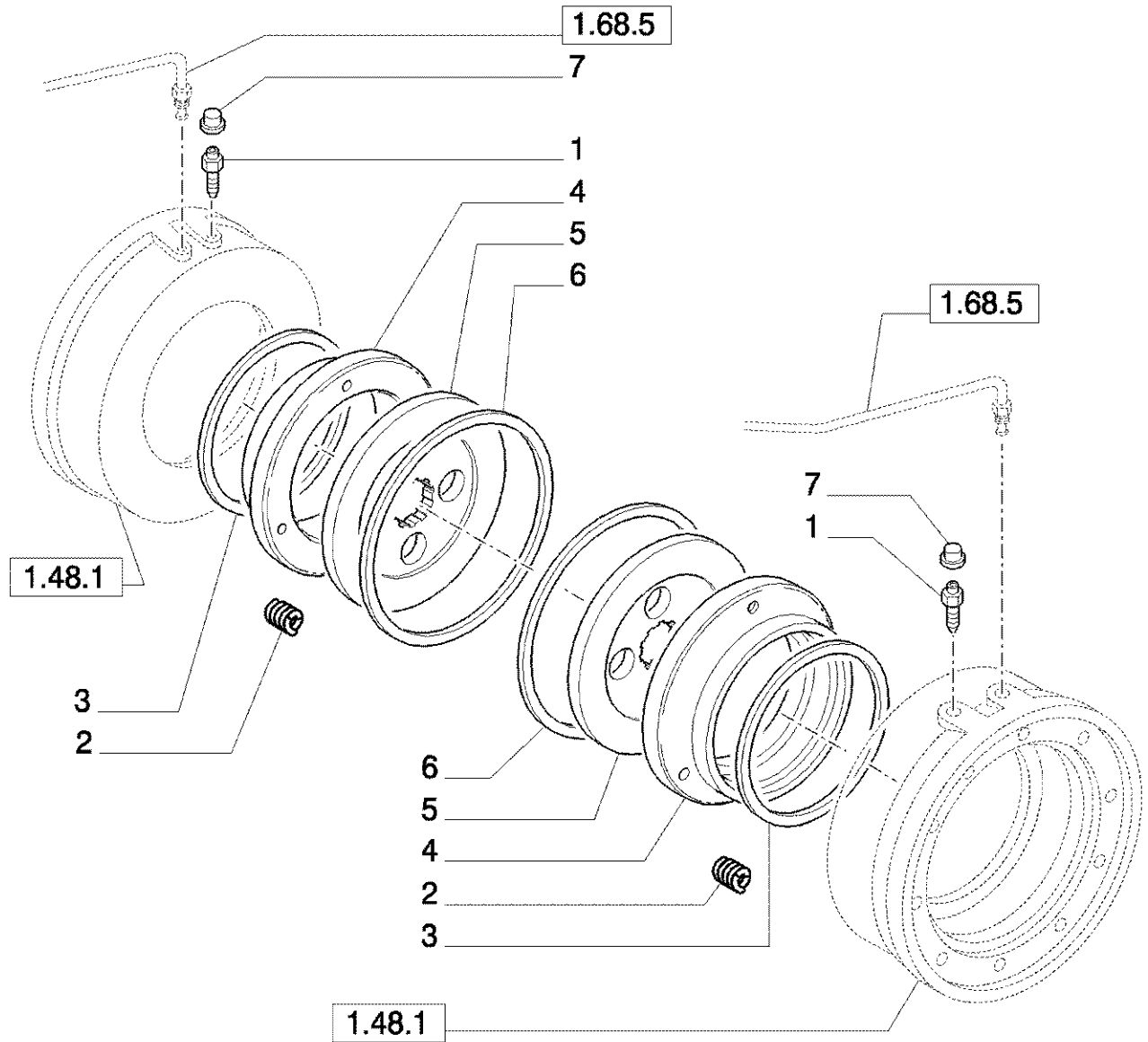
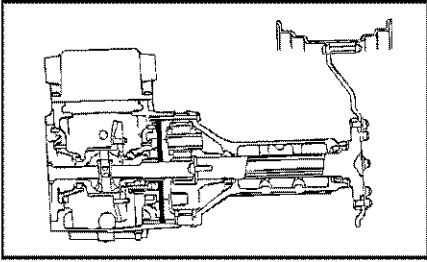


360 KOMPAKT TRACTOR (4/03-) - Achteras

1.48.2 (VAR.465-470) ACHTERSTE BALLAST

Ref	Onderdeelnummer	Kwt	Beschrijving
1	47131052	AR	WIELGEWICHTEN, KG 50/LB 110, 3 bolts on circle =410mm.
3	44018047	6	SCHROEF, M16x1.5x78
4	44018046	6	SCHROEF, M16x1.5x60
5	12164114	6	MOER, CL8.8, M16x1.5
6	47131265	6	VIELNAAF, KG 32/LB 70, 4 bolts on circle =330mm .
7	11194274	6	WASHER, SPRING, Belleville, M17, EL 16x32
2	15980524	6	BOUT, Hex, M16 x 1.5 x 30, 8.8, Full Thd, M16x1.5x30

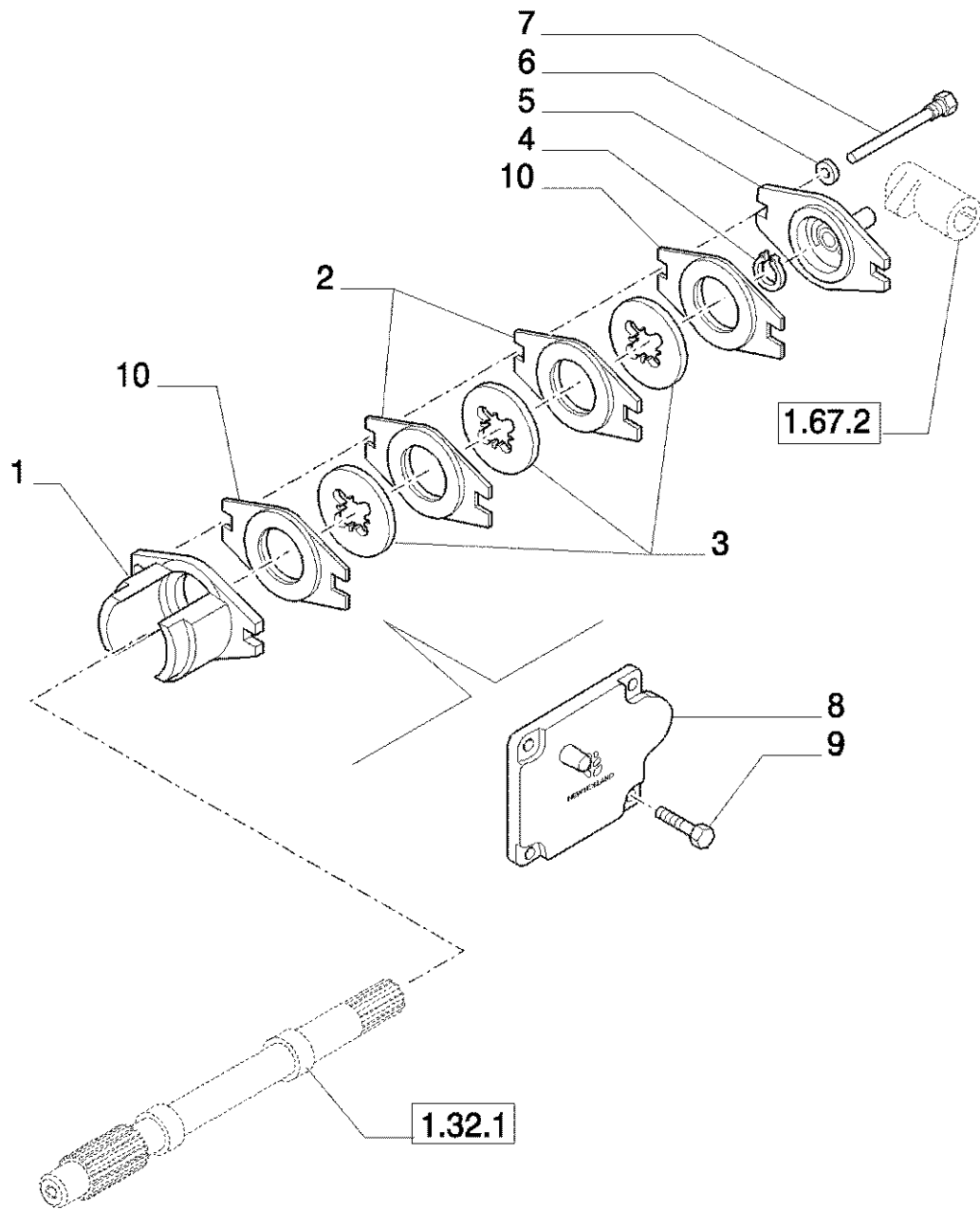
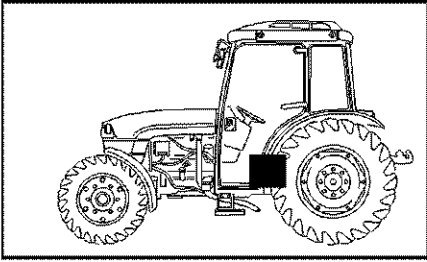
1.65.3 TRANSMISSIEREM



1.65.3 TRANSMISSIEREM

Ref	Onderdeelnummer	Kwt	Beschrijving
1	5155682	2	SCHROEF, ONTLUCHTING, M12
2	5120761	6	VEER,
3	87388219	2	DICHTINGSSTUK,
4	5178584	2	ZUIGER,
5	5180633	2	REMSCHIJF,
6	87388213	2	O-RING,
7	5171793	2	PLUG,

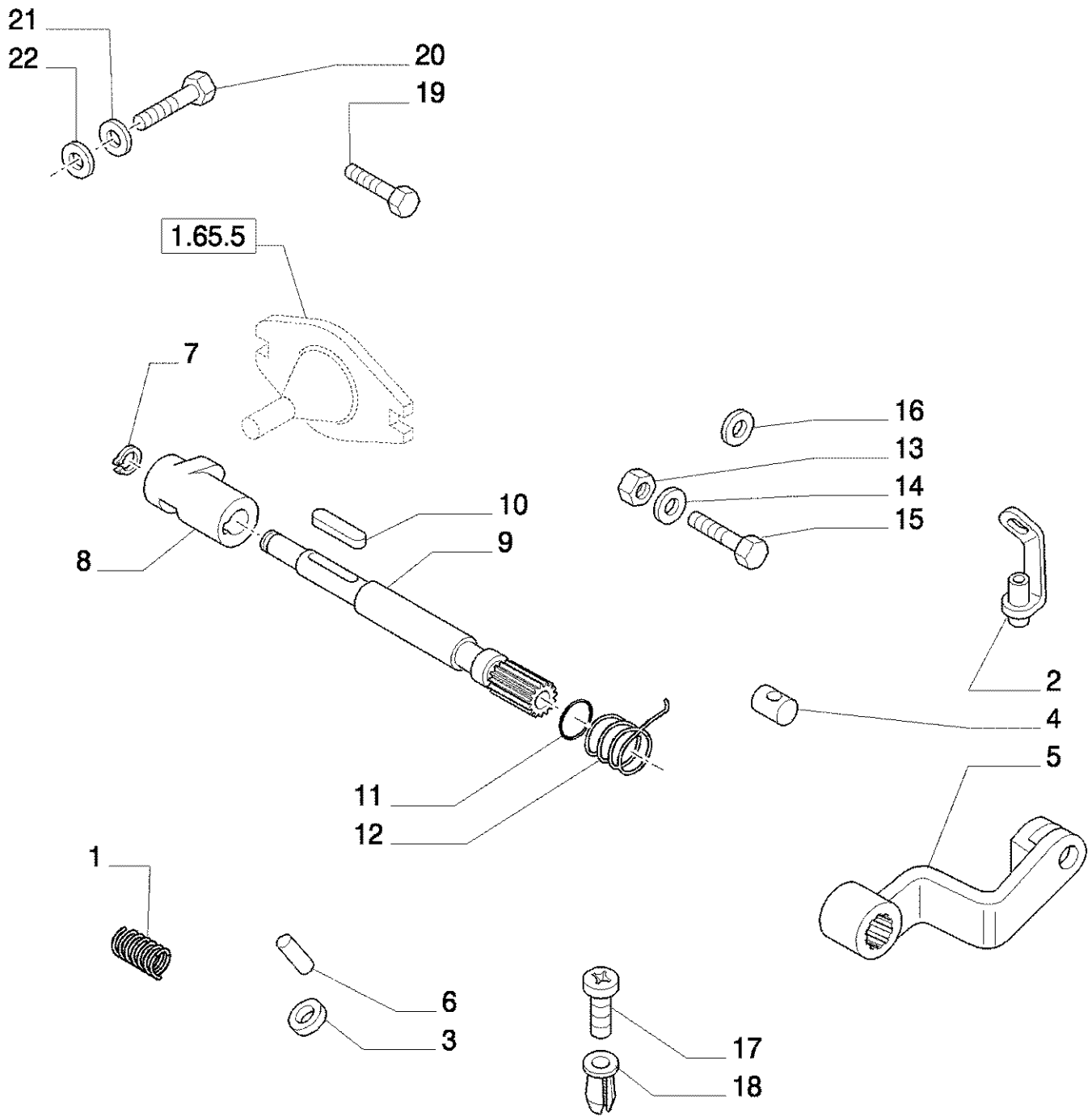
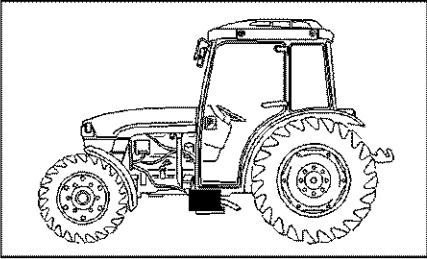
1.65.5 PARKEERREM



1.65.5 PARKEERREM

Ref	Onderdeelnummer	Kwt	Beschrijving
1	47132171	1	PLAAT,
2	5168218	4	GETANDE SECTOR, INNER
3	5168219	5	REMSCHIJF,
4	11068376	1	RING, SNAP, M35, Ext,
5	47132170	1	STEUN,
6	11194174	1	WASHER, SPRING, Belleville, M10.5, D=14x27
7	5185298	1	PEN,
8	5172520	1	DEKSEL,
9	15970724	4	BOUT, Hex, M10 x 1.25 x 25, 8.8, Full Thd,
10	5168216	2	GETANDE SECTOR, OUTER

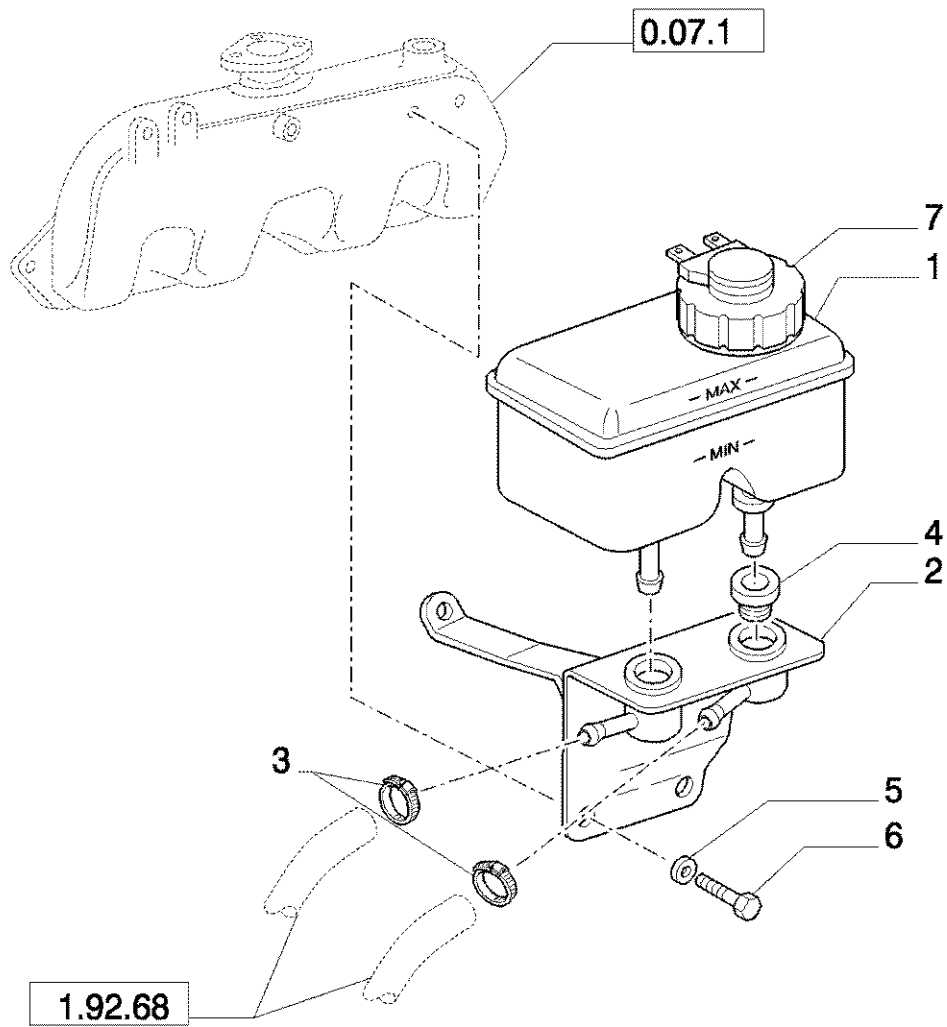
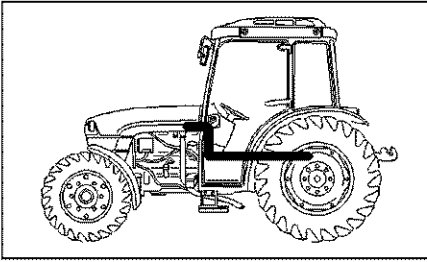
1.67.2 HANDREMBESTURING



1.67.2 HANDREMBESTURING

Ref	Onderdeelnummer	Kwt	Beschrijving
1	4994342	1	VEER, L=30
2	47132219	1	DRUKSTANG,
3	14488401	2	SLUITRING, 5x10
4	47132201	1	PEN,
5	47132185	1	HEFBOOM,
6	14162370	1	SPANSTIFT,
7	11066876	1	RING, SNAP, M20, Ext,
8	47132166	1	HEFBOOM,
9	47132169	1	PEN,
10	10619420	1	INLEGSPIE, Sq, M6 x 50, 6x6x50
11	5135740	1	O-RING, -119, CI 9, .924" ID x .103" Thk,
12	5178121	1	VEER,
13	15503711	1	NUT, LOCK, M10 x 1.25,
14	12626204	1	SLUITRING, M10 x 25 x 3,
15	15888824	1	BOUT, Hex, M10 x 1.25 x 70, 8.8,
16	14496621	2	SLUITRING, M10 x 21 x 2,
17	16084304	2	ZELFTAPPENDE SCHROEF, Pan Hd, M5 x 16,
18	14115781	2	KABELDOORGANG,
19	15970724	2	BOUT, Hex, M10 x 1.25 x 25, 8.8, Full Thd,
20	16043224	1	BOUT, Hex, M8 x 16, 8.8, Full Thd,
20	16043531	1	BOUT, Hex, M8 x 22, 10.9, Full Thd,
21	13578424	1	SLUITRING, D=8
22	11193874	1	WASHER, SPRING, Belleville, M8.4, D=8

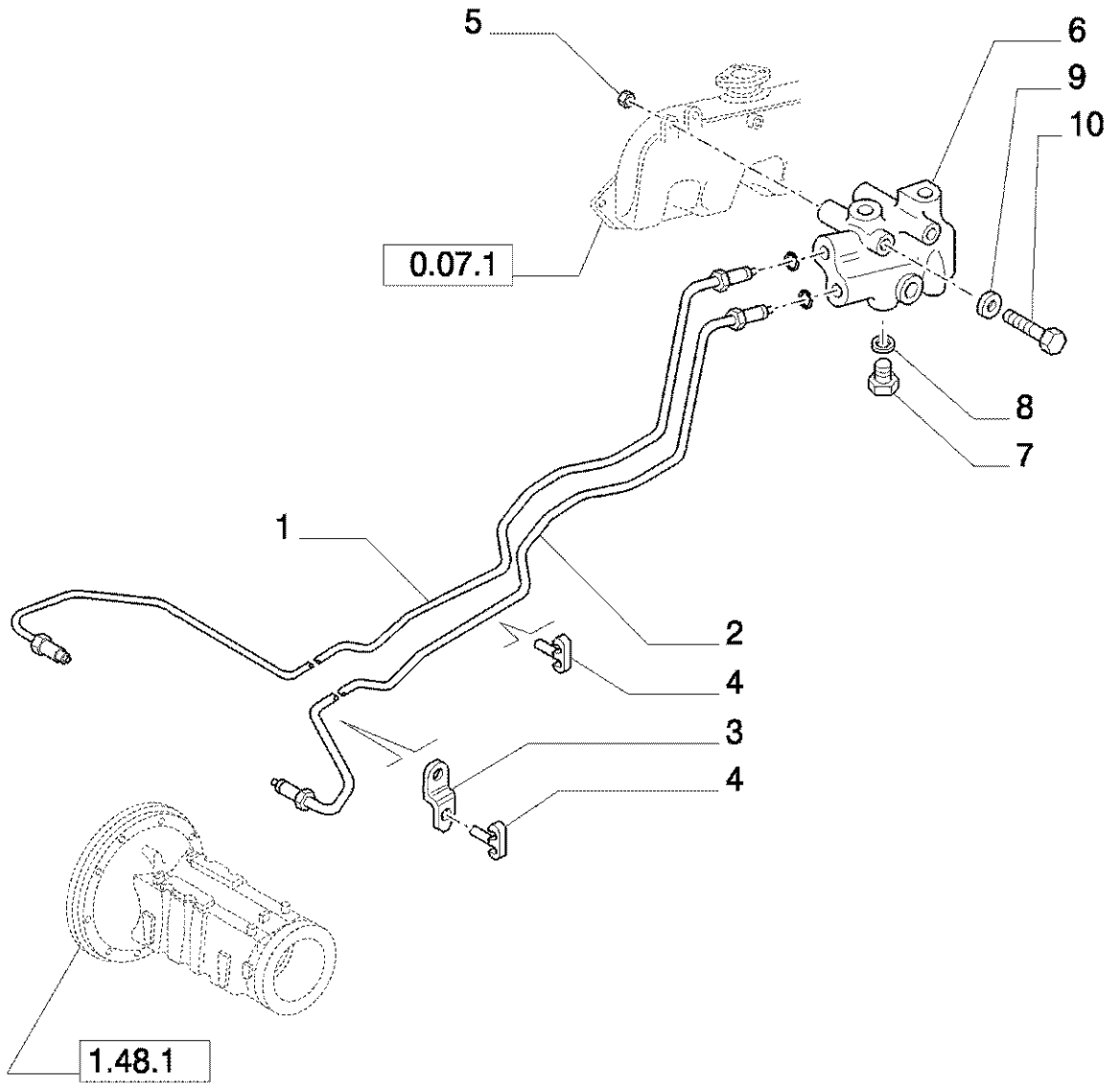
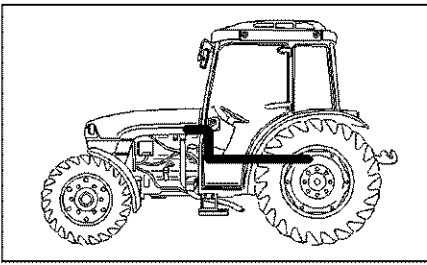
1.68.2 TANK REM



1.68.2 TANK REM

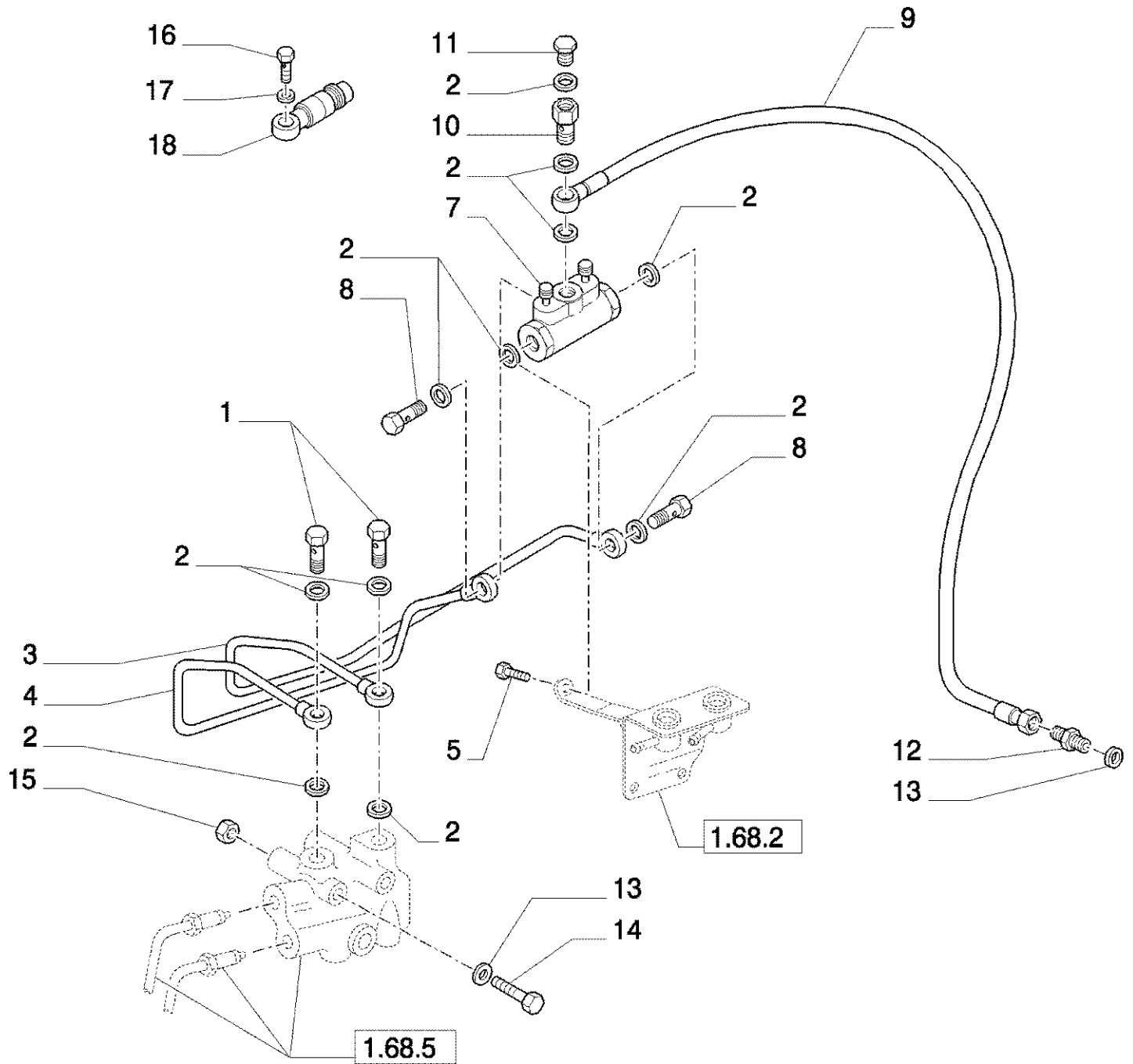
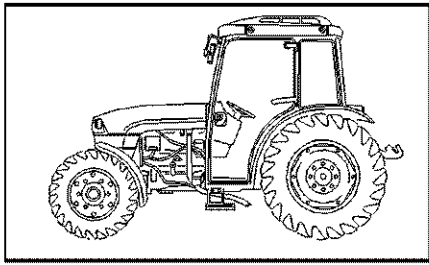
Ref	Onderdeelnummer	Kwt	Beschrijving
1	82003369	1	TANK, INCL. REF. 7
2	5181938	1	STEUN,
3	10186590	4	BUISKLEM, M11-13, Worm,
4	5181447	2	DICHTINGSSTUK,
5	11197774	2	WASHER, SPRING, Belleville, M6.4,
6	10902024	2	BOUT, Hex, M6 x 12, 8.8, Full Thd,
7	85806176	1	PLUG,

1.68.5 REMLEIDINGEN

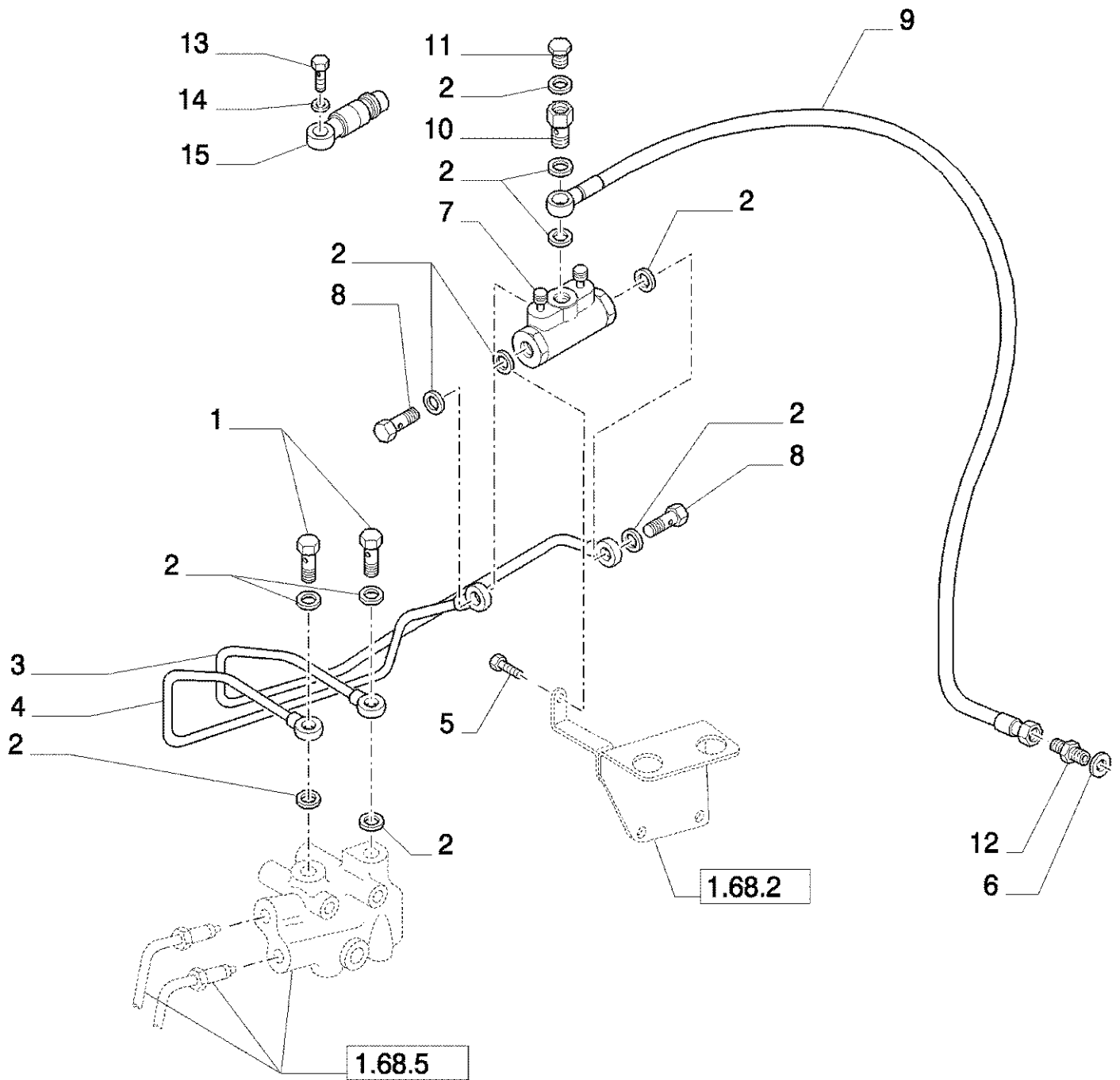
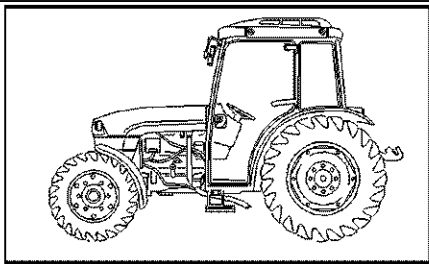


1.68.5 REMLEIDINGEN

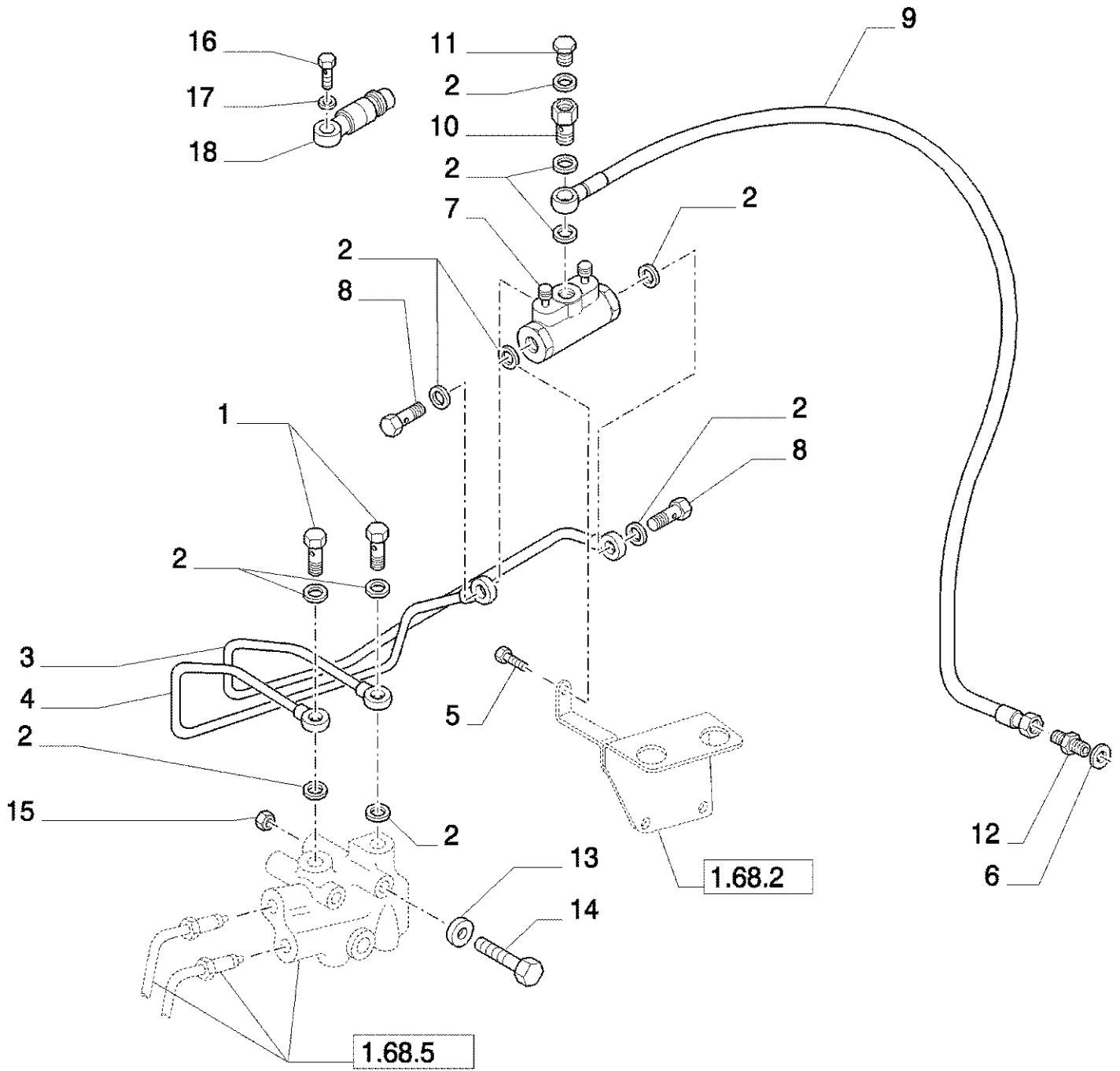
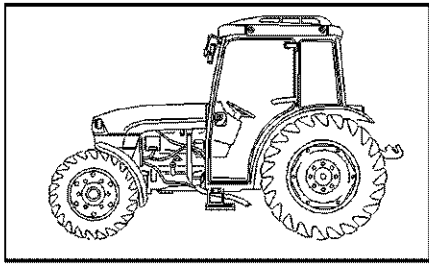
Ref	Onderdeelnummer	Kwt	Beschrijving
1	5178302	1	VASTE BUIS, LH
2	5178300	1	VASTE BUIS, RH
3	5177821	1	STEUNBEUGEL, REAR
4	14575380	6	HOUDER,
5	16100811	1	MOER, M8, CI 8,
6	5177861	1	BLOK,
7	10300511	3	PLUG, M12 x 1.25 x 12, CI5.8,
7	5102705	1	PLUG, 1/8"-27
8	4858607	1	WASHER, COPPER, 12x8
9	11193974	1	WASHER, SPRING, Belleville, M8.4, 8x22
10	16045024	1	BOUT, Hex, M8 x 90, 8.8,



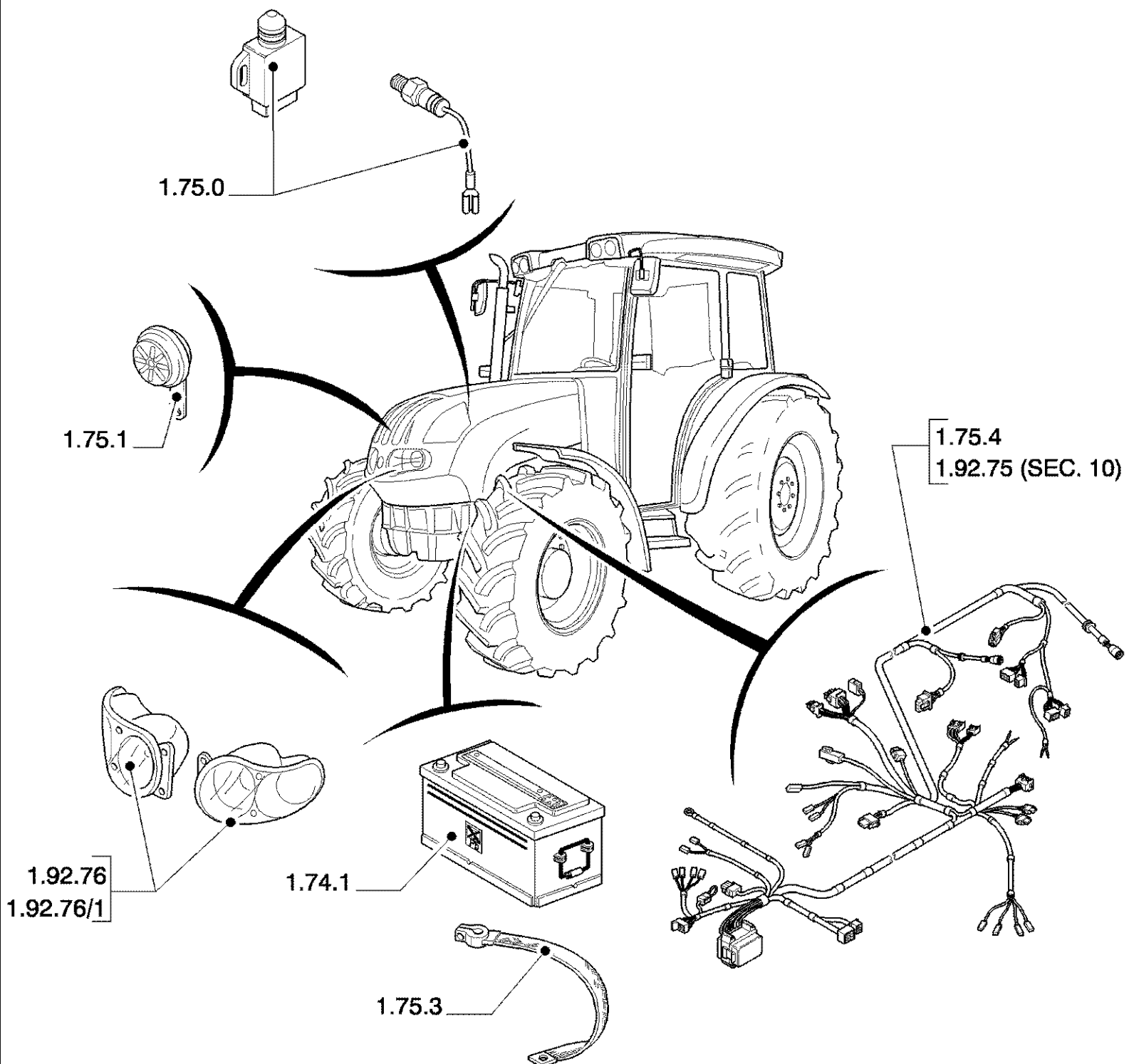
Ref	Onderdeelnummer	Kwt	Beschrijving
1	10185011	2	VERBINDINGSBOUT, M12 x 1.25 x 23,
2	4858607	AR	WASHER, COPPER, 12x18
3	5182978	1	VASTE BUIS, UPPER
4	5182977	1	VASTE BUIS, LOWER
5	16042921	1	BOUT, Hex, M8 x 10, 8.8, Full Thd,
6	47131899	1	VERBINDING,
7	5143506	1	KLEP, Synchronizing, Assy
8	5121685	1	VERBINDINGSBOUT,
9	5173912	1	FLEXIBELE SLANG,
10	5185683	1	VERBINDING, , -C5314
11	10300511	1	PLUG, M12 x 1.25 x 12, CI5.8, , -C5314
12	10261660	1	WASHER, COPPER, M18.3 x 26 x 1.5, Copper,
13	11193974	2	WASHER, SPRING, Belleville, M8.4, 8x22
14	16045024	2	BOUT, Hex, M8 x 90, 8.8,
15	16100814	2	MOER, M8, CI 8,
16	87392054	1	VERBINDING, , D5314-
17	10298460	1	WASHER, COPPER, M12.2 x 18 x 1.5, Copper, , D5314-
18	82030175	1	KLEP, , D5314-



Ref	Onderdeelnummer	Kwt	Beschrijving
1	10185011	1	VERBINDINGSBOUT, M12 x 1.25 x 23,
2	4858607	11	WASHER, COPPER, 12xX18
3	5182978	1	VASTE BUIS, UPPER
4	5182977	1	VASTE BUIS, LOWER
5	16042921	1	BOUT, Hex, M8 x 10, 8.8, Full Thd,
6	47131899	1	VERBINDING,
7	5143506	1	KLEP, Synchronizing
8	5121685	2	VERBINDINGSBOUT,
9	5173912	1	FLEXIBELE SLANG,
10	5185683	1	VERBINDING, , -C5314
11	10300511	1	PLUG, M12 x 1.25 x 12, CI5.8, , -C5314
12	10261660	1	WASHER, COPPER, M18.3 x 26 x 1.5, Copper,
13	87392054	1	VERBINDING, , D5314-
14	10298460	1	WASHER, COPPER, M12.2 x 18 x 1.5, Copper, , D5314-
15	82030175	1	KLEP, , D5314-

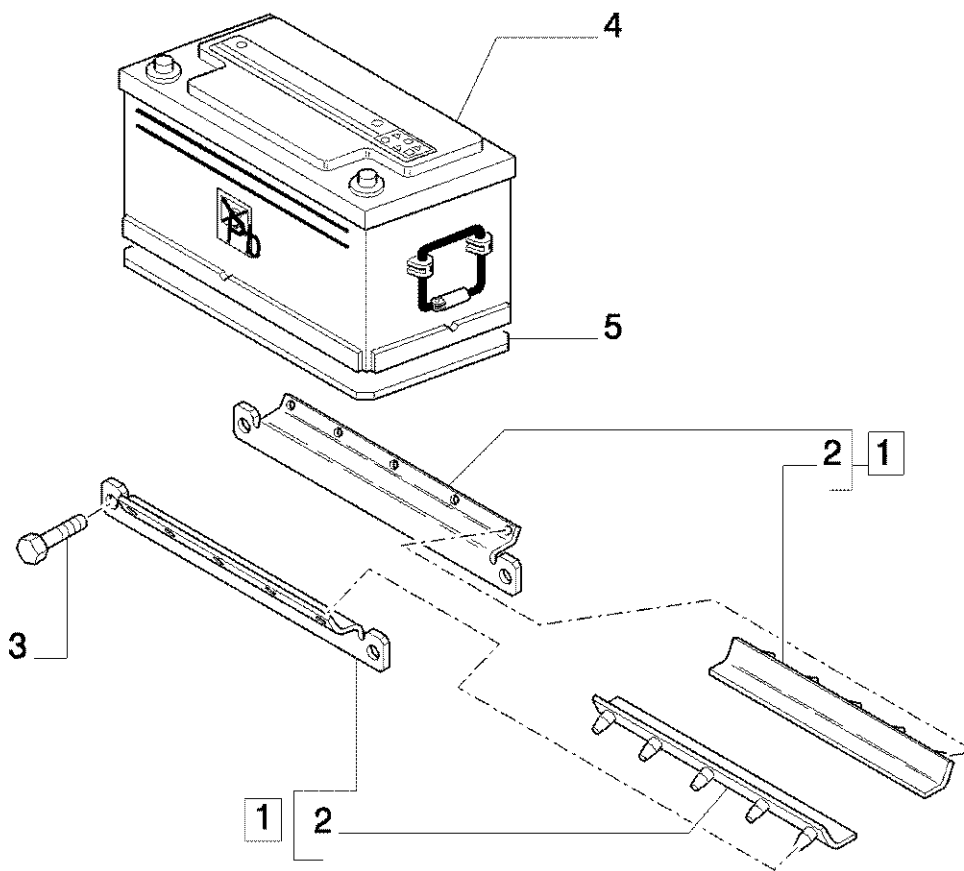
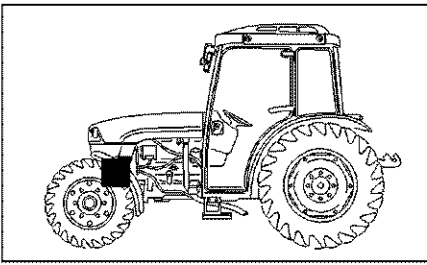


Ref	Onderdeelnummer	Kwt	Beschrijving
1	10185011	2	VERBINDINGSBOUT, M12 x 1.25 x 23,
2	4858607	16	WASHER, COPPER, 12x18
3	5182978	1	VASTE BUIS, UPPER
4	5182977	1	VASTE BUIS, LOWER
5	16042921	1	BOUT, Hex, M8 x 10, 8.8, Full Thd,
6	47131899	1	VERBINDING,
7	5143506	1	KLEP, Synchronizing, Assy
8	5121685	1	VERBINDINGSBOUT,
9	5173912	1	FLEXIBELE SLANG,
10	5185683	1	VERBINDING, , -C5314
11	10300511	1	PLUG, M12 x 1.25 x 12, CI5.8, , -C5314
12	10261660	1	WASHER, COPPER, M18.3 x 26 x 1.5, Copper,
13	11193974	2	WASHER, SPRING, Belleville, M8.4, 8x22
14	16045024	2	BOUT, Hex, M8 x 90, 8.8,
15	16100814	2	MOER, M8, CI 8,
16	87392054	1	VERBINDING, , D5314-
17	10298460	1	WASHER, COPPER, M12.2 x 18 x 1.5, Copper, , D5314-
18	82030175	1	KLEP, , D5314-



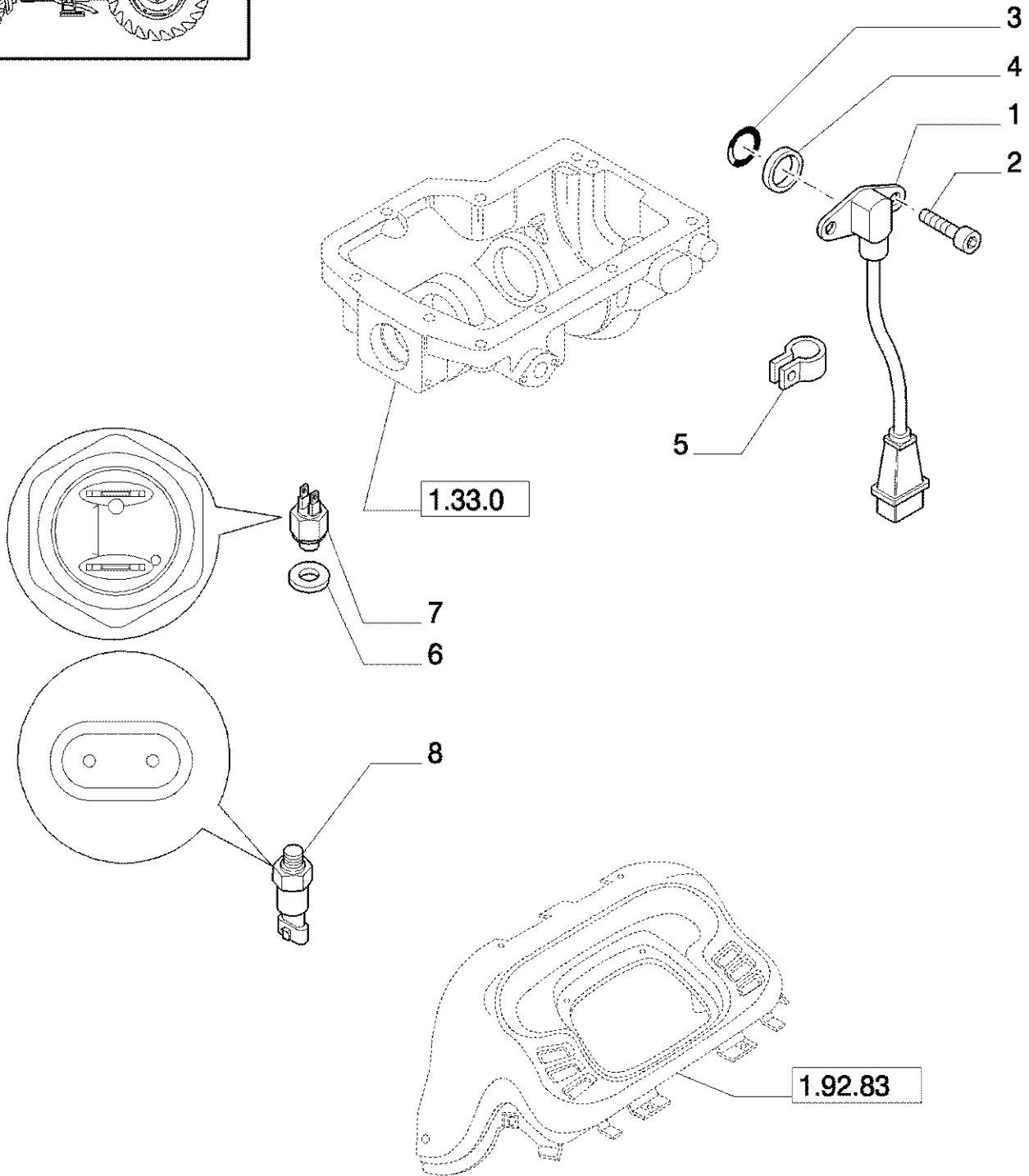
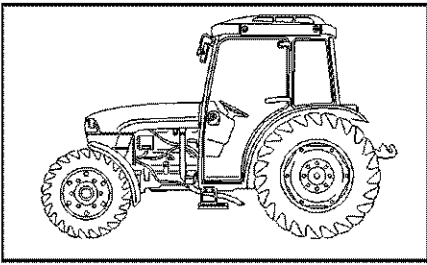
Ref	Onderdeelnummer	Kwt	Beschrijving

1.74.1 BATTERIJHOUDER

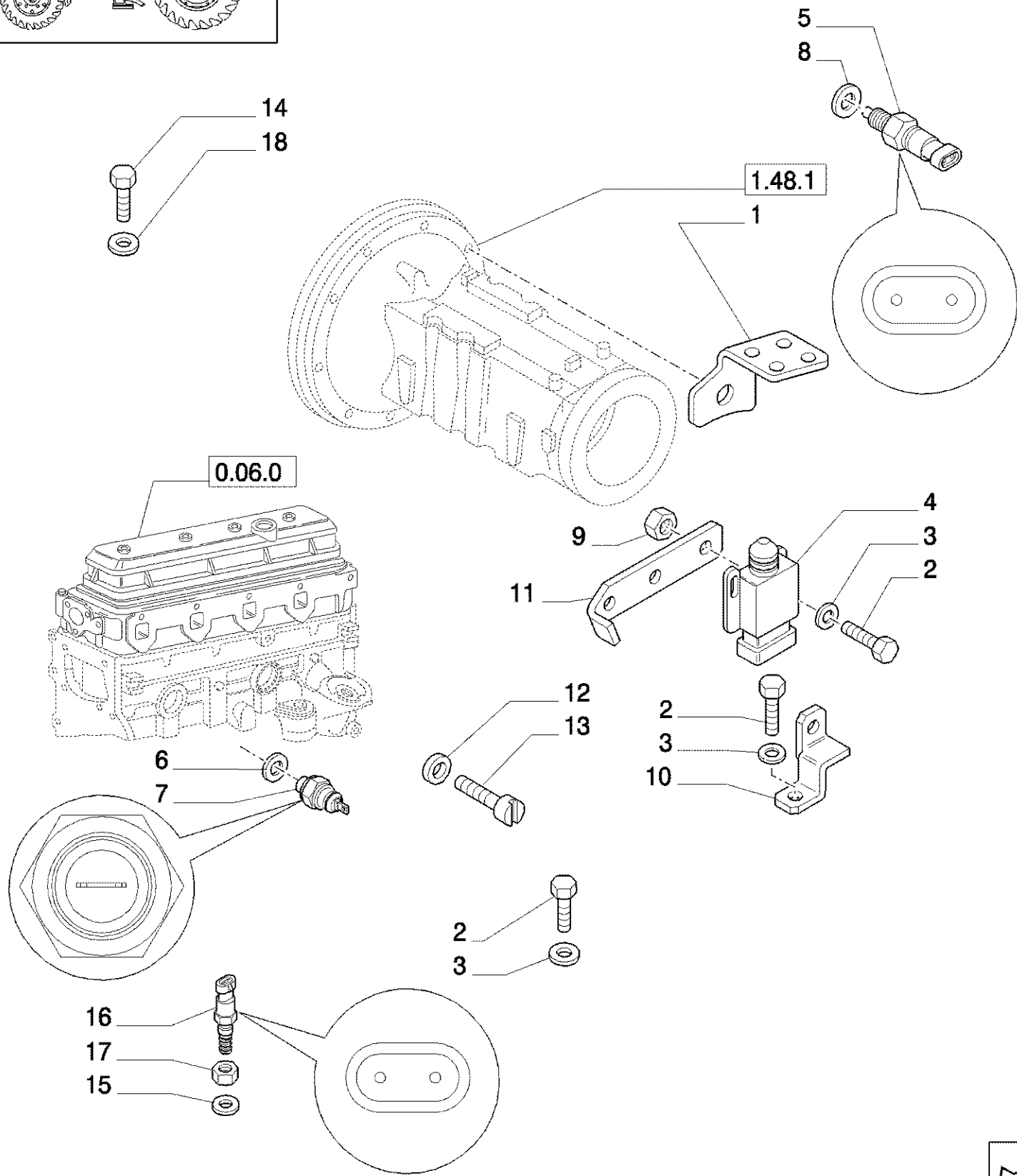
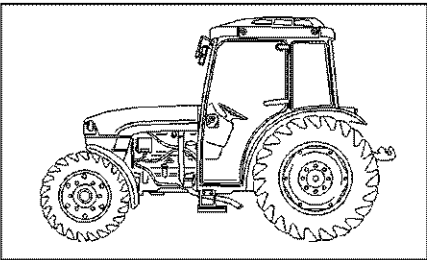


1.74.1 BATTERIJHOUDER

Ref	Onderdeelnummer	Kwt	Beschrijving
1	5174462	2	DWARSBALK, ASSY
2	5174457	2	PROP,
4	47130365	1	NATTE BATTERIJ,
5	599204	1	PLAAT,
3	15970524	4	BOUT, Hex, M10 x 1.25 x 20, 8.8, Full Thd,



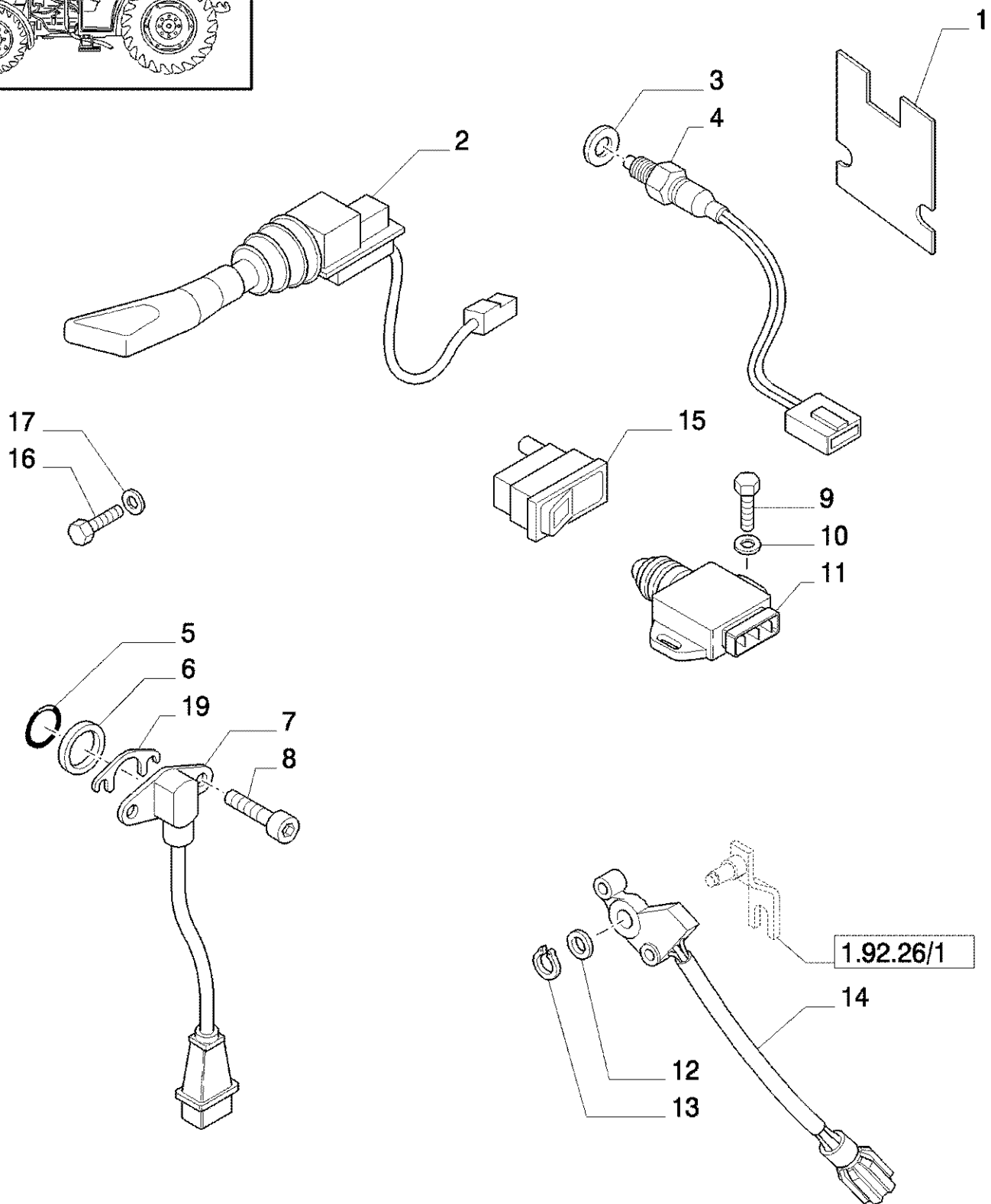
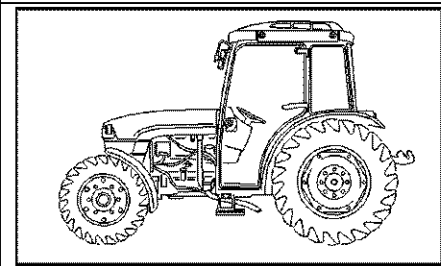
Ref	Onderdeelnummer	Kwt	Beschrijving
1	5150991	1	SENSOR, Brake Pump, Mech. DT, BSN HJE020810
1	82038897	1	SENSOR, Speed, ASN HJE020811
2	10977524	2	BOUT, Hex, M5 x 10, 8.8, Full Thd,
3	89827059	2	O-RING,
4	5153070	2	AFSTANDSRING, 15.3x17.4x4.5, BSN HJE020810
5	10450090	2	KLEM,
6	10261060	1	WASHER, COPPER, M12.2 x 16 x 1.5, Copper,
7	82030730	1	DRUKSCHAKELAAR,
8	5190018	1	SCHAKELAAR, PTO Speed



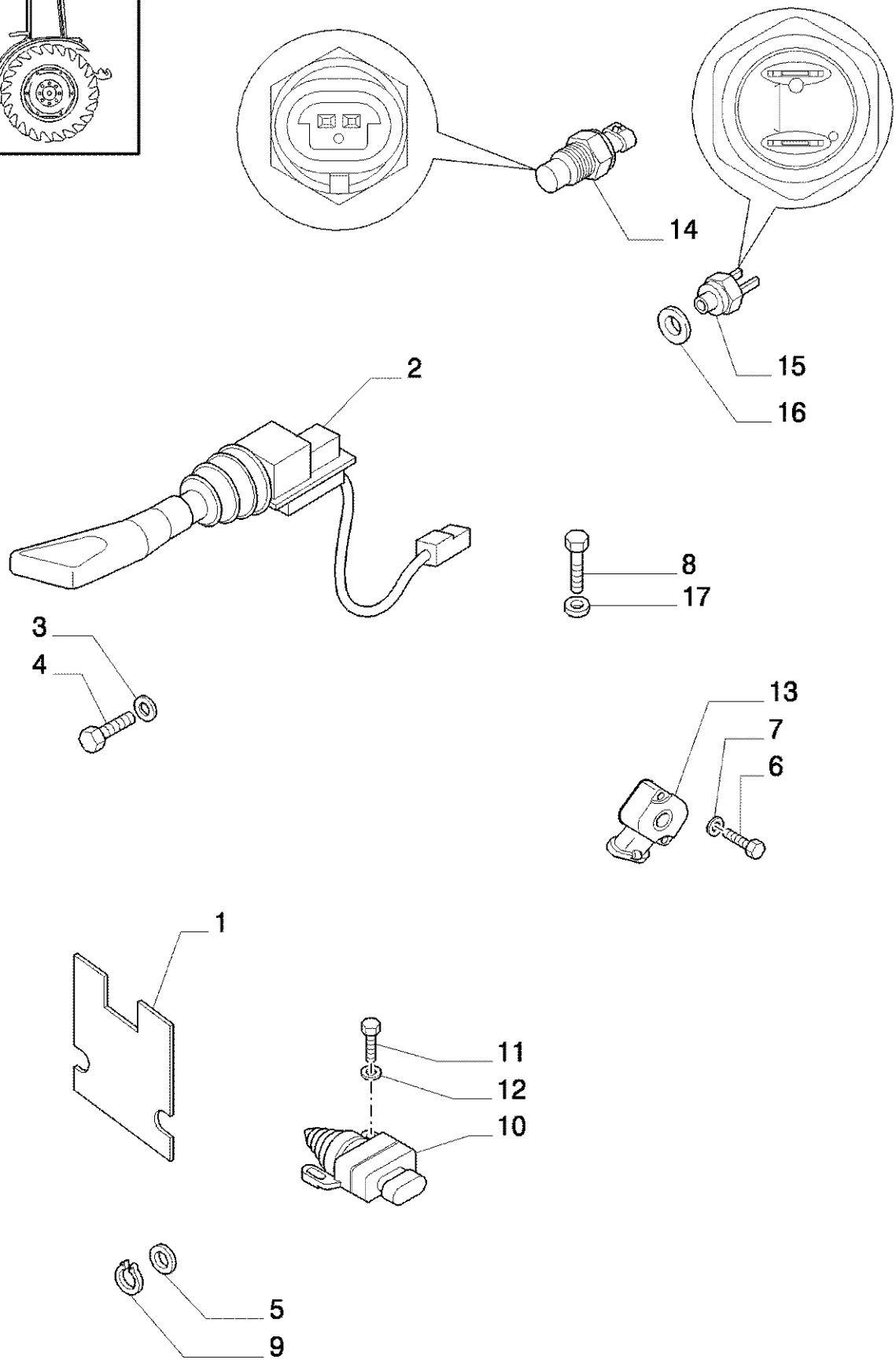
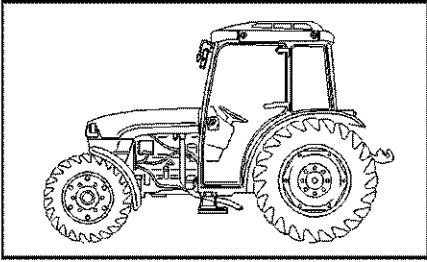
360 KOMPAKT TRACTOR (4/03-) - Elektrische Systeem

1.75.0(02) ELEKTRISCHE BESTUURMECHANISMEN

Ref	Onderdeelnummer	Kwt	Beschrijving
1	5178431	1	STEUN, 370, 375, 2WD
1	87319439	1	STEUN, 360, 2WD
2	13272214	AR	SCHROEF, Cross Pan Hd, M4 x 16,
3	11181474	AR	WASHER, SPRING, Belleville, M4.3,
4	47137022	1	SCHAKELAAR, Diff. Lock
5	47132956	1	SCHAKELAAR, Neutral, Gearbox and Reverser
6	5169544	1	DICHTINGSRING, 14x20
7	82032837	1	DRUKSCHAKELAAR, To Hydr. DT Light, FOR VAR. 307 ONLY
7	82036587	1	SCHAKELAAR, OIL PRESS.
8	10261060	1	WASHER, COPPER, M12.2 x 16 x 1.5, Copper,
8	4858607	1	WASHER, COPPER, D=12x18
9	10794014	2	MOER, M4, CI 8,
10	5187502	1	STEUNBEUGEL,
11	5187503	1	STEUNBEUGEL,
12	11181479	AR	WASHER, SPRING, Belleville, M4.3,
13	13272114	AR	SCHROEF, Cross Pan Hd, M4 x 14,
14	10977524	2	BOUT, Hex, M5 x 10, 8.8, Full Thd,
15	12544771	1	VEERRING,
16	5193121	1	SCHAKELAAR, To Mech. DT Light
17	10791411	1	MOER, Thin, M16 x 1.5, CI 04,
18	11181674	2	WASHER, SPRING, Belleville, M5.3,

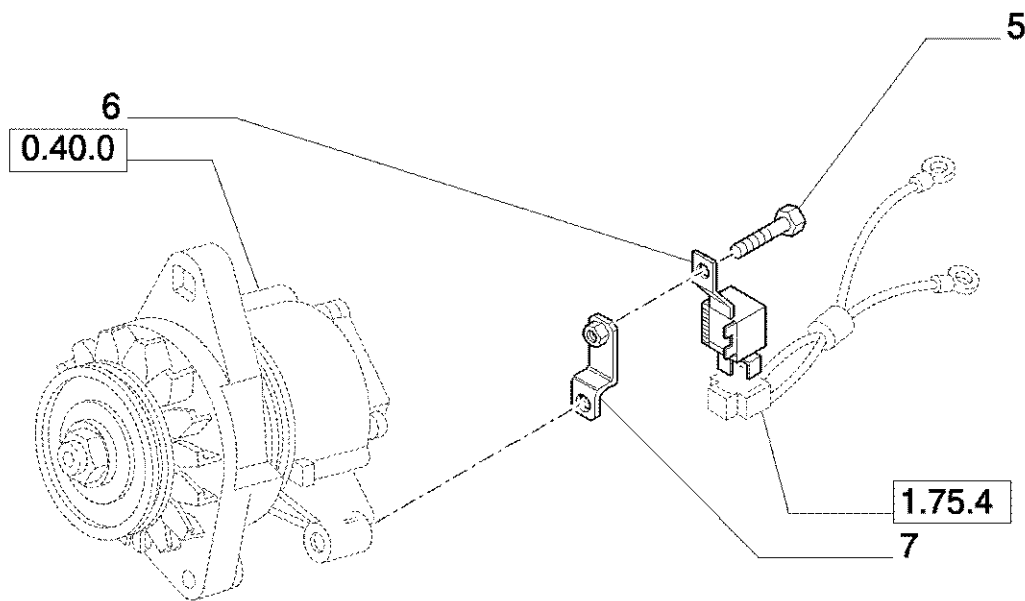
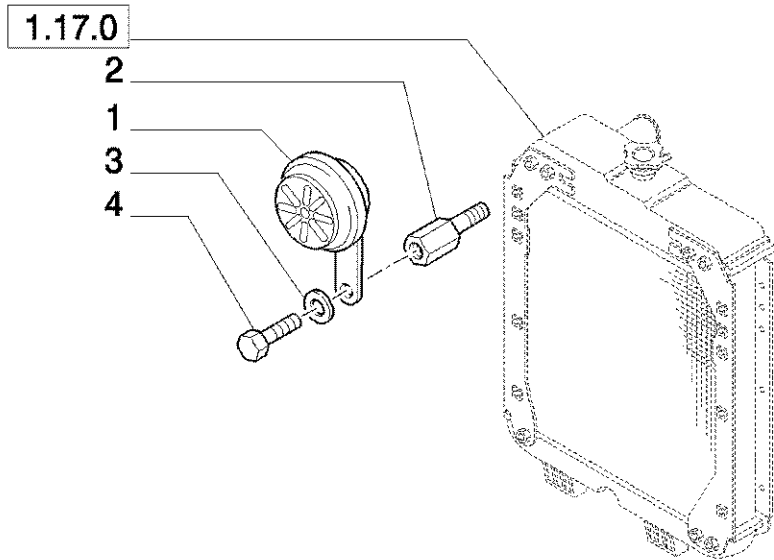
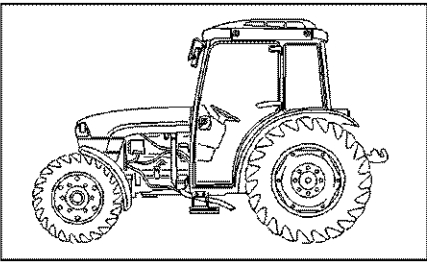


Ref	Onderdeelnummer	Kwt	Beschrijving
1	47125156	1	ISOLATIE,ALGEMEEN,
2	47056535	1	HEFBOOM,
3	5169544	2	DICHTINGSRING, 12x18
4	47132568	2	SCHAKELAAR, GREY
4	47132569	2	SCHAKELAAR, GREEN
5	14453280	2	O-RING, -015, 70 Duro, .551" ID x .070" Thk, (M14 ID x 1.78 Thk)
6	5153070	2	AFSTANDSRING, 15.3x17.4x4.5, BSN HJE020810
7	5150991	2	SENSOR, PTO SPEED, BSN HJE020810
7	82038897	1	SENSOR, Speed, ASN HJE020811
8	10977524	4	BOUT, Hex, M5 x 10, 8.8, Full Thd,
9	13272114	2	SCHROEF, Cross Pan Hd, M4 x 14,
10	14496204	2	VEERRING, 4x9
9	14303424	2	SCHROEF, Hex Soc Hd, M4 x 25, 8.8, Full Thd,
10	11181479	2	WASHER, SPRING, Belleville, M4.3,
11	47137022	1	SCHAKELAAR, Diff. Lock
12	10519604	1	SLUITRING, M8 x 17 x 2,
13	87016950	1	RING, SNAP, M7,
14	89821734	1	POTENTIOMETER,
15	47056832	1	SCHAKELAAR,
16	13272114	3	SCHROEF, Cross Pan Hd, M4 x 14,
16	14303124	3	SCHROEF, Hex Soc Hd, M4 x 14, 8.8, Full Thd,
17	11181474	3	WASHER, SPRING, Belleville, M4.3,



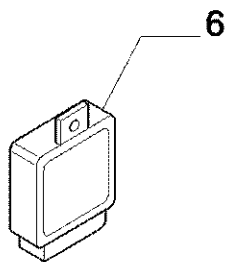
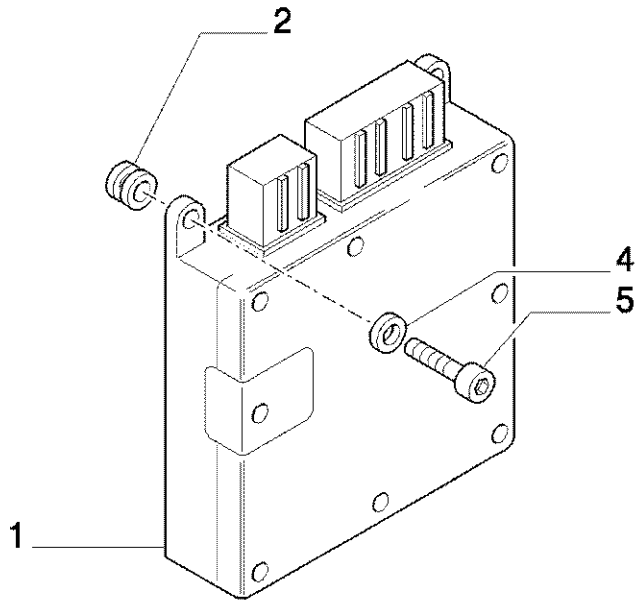
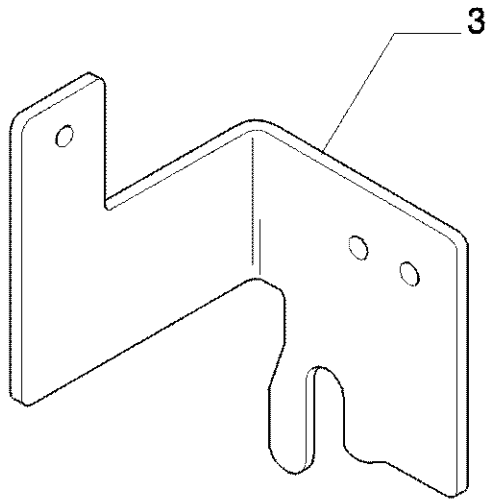
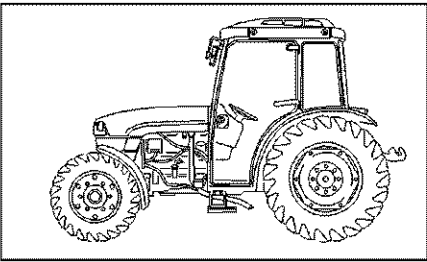
Ref	Onderdeelnummer	Kwt	Beschrijving
1	47125156	1	ISOLATIE,ALGEMEEN,
2	47056535	1	HEFBOOM,
3	11181474	3	WASHER, SPRING, Belleville, M4.3,
4	14303124	3	SCHROEF, Hex Soc Hd, M4 x 14, 8.8, Full Thd,
5	10519604	1	SLUITRING, M8 x 17 x 2,
6	14358721	2	SCHROEF, Hex Soc Hd, M5 x 35, 8.8,
7	11181574	2	WASHER, SPRING, Belleville, M5.3,
8	14303424	2	SCHROEF, Hex Soc Hd, M4 x 25, 8.8, Full Thd,
9	87016950	1	RING, SNAP, M7,
10	47137022	2	SCHAKELAAR,
11	13272114	2	SCHROEF, Cross Pan Hd, M4 x 14,
12	11181479	2	WASHER, SPRING, Belleville, M4.3,
13	87543715	1	POTENTIOMETER, Rotary Position Sensor
14	82028133	1	ZENDER, Transmission Temperature
15	87395493	1	DRUKSCHAKELAAR, Oil, Hidr. DT
16	2852356	1	DICHTINGSSTUK, 14x20x1,5
17	14496204	2	VEERRING, 4x9

1.75.1 CONTROLE APPARATUUR

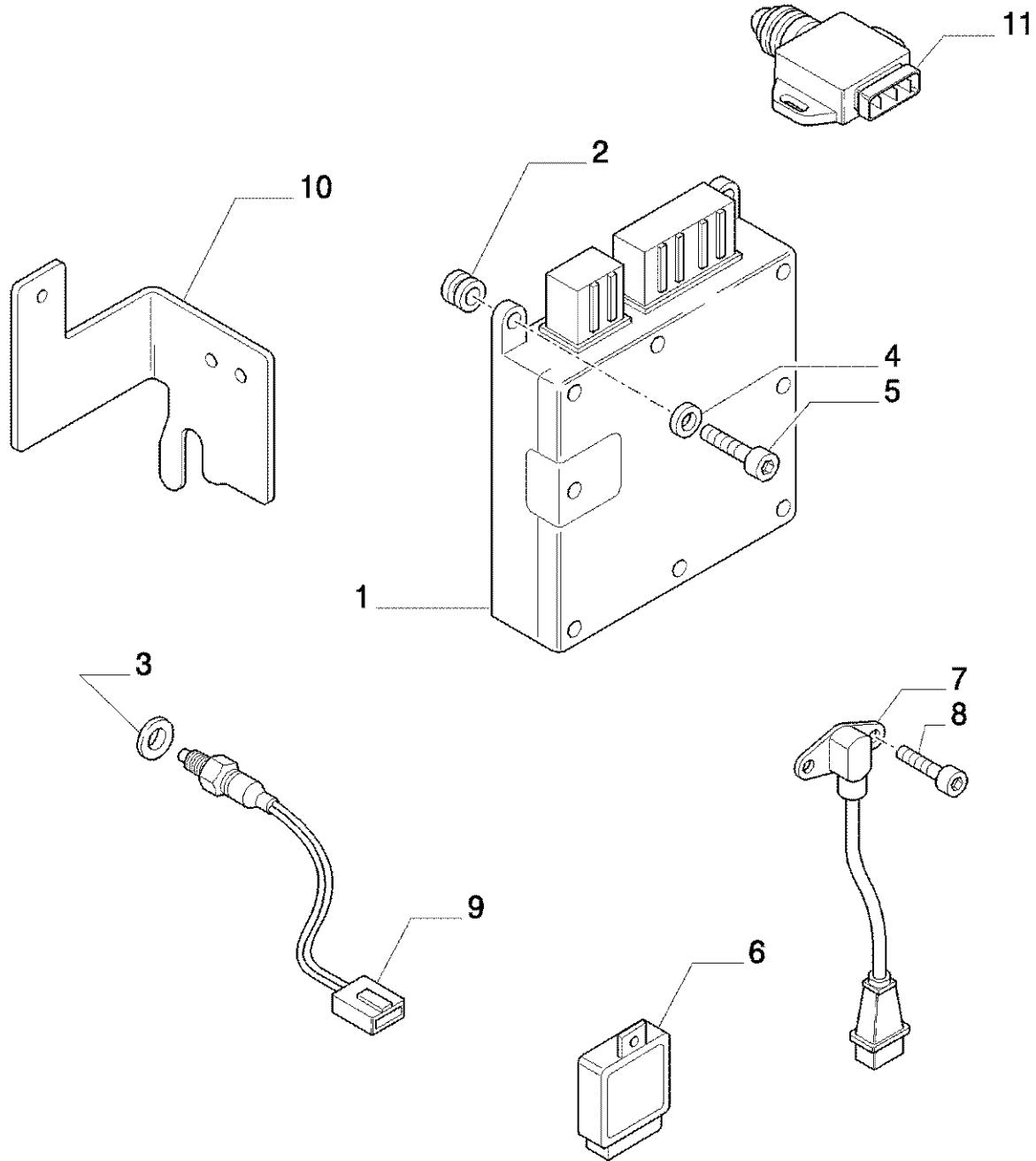
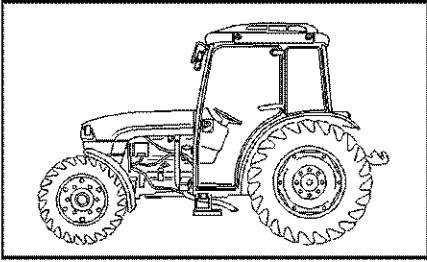


1.75.1 CONTROLE APPARATUUR

Ref	Onderdeelnummer	Kwt	Beschrijving
1	47132132	1	HOORN, 12V
2	5183290	1	SCHROEF,
3	10519604	1	SLUITRING, M8 x 17 x 2,
3	12598374	1	VEERRING, 8x16
4	15857624	1	BOUT, Hex, M8 x 8, 8.8, Full Thd,
5	16042921	1	BOUT, Hex, M8 x 10, 8.8, Full Thd,
6	5146278	1	REGELAAR,
7	5137971	1	STEUNBEUGEL,

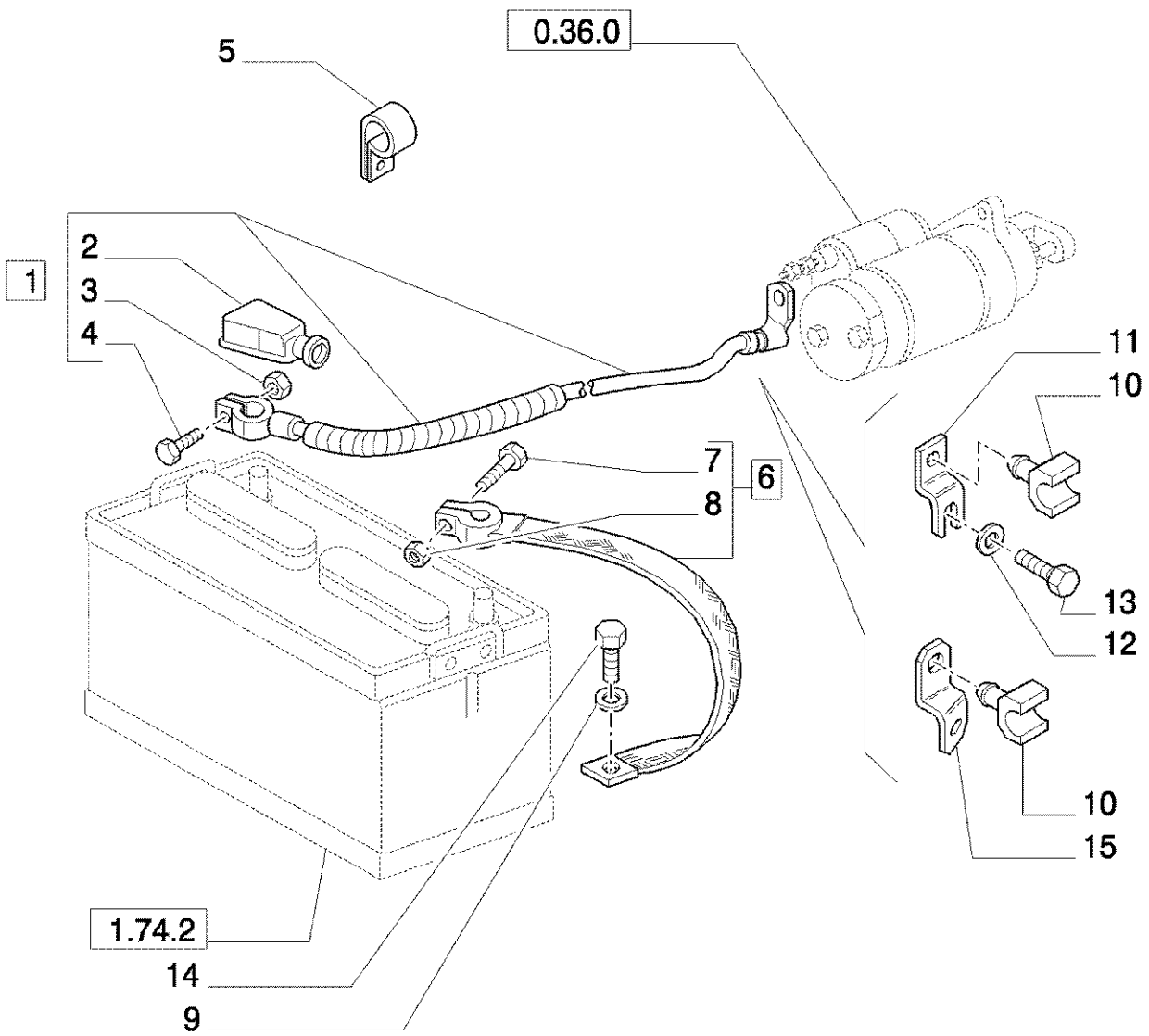
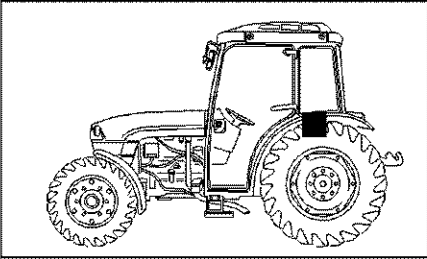


Ref	Onderdeelnummer	Kwt	Beschrijving
1	47137064	1	ELECTRONISCHE KAST, P/SHUTTLE CONTROL
2	5175382	1	RING, D=10
3	47128721	2	STEUN,
4	11197774	2	WASHER, SPRING, Belleville, M6.4,
5	10902424	2	BOUT, Hex, M6 x 20, 8.8, Full Thd,
6	5188605	1	ALARM,



Ref	Onderdeelnummer	Kwt	Beschrijving
1	47137064	1	ELECTRONISCHE KAST, , P/Shuttle Control
2	5175382	1	RING, D=10
3	5169544	2	DICHTINGSRING, D=14
4	11197774	2	WASHER, SPRING, Belleville, M6.4,
5	10902424	2	BOUT, Hex, M6 x 20, 8.8, Full Thd,
6	5188605	1	ALARM,
7	82038897	1	SENSOR, , PTO Speed
8	10977514	2	BOUT, M5x10
9	47132568	1	SCHAKELAAR, , Gear Engagement, Gray
9	47132569	1	SCHAKELAAR, , Gear Range, Green
10	47128721	1	STEUN,
11	47137022	1	SCHAKELAAR, , TN60SA, TN70SA, TN75SA

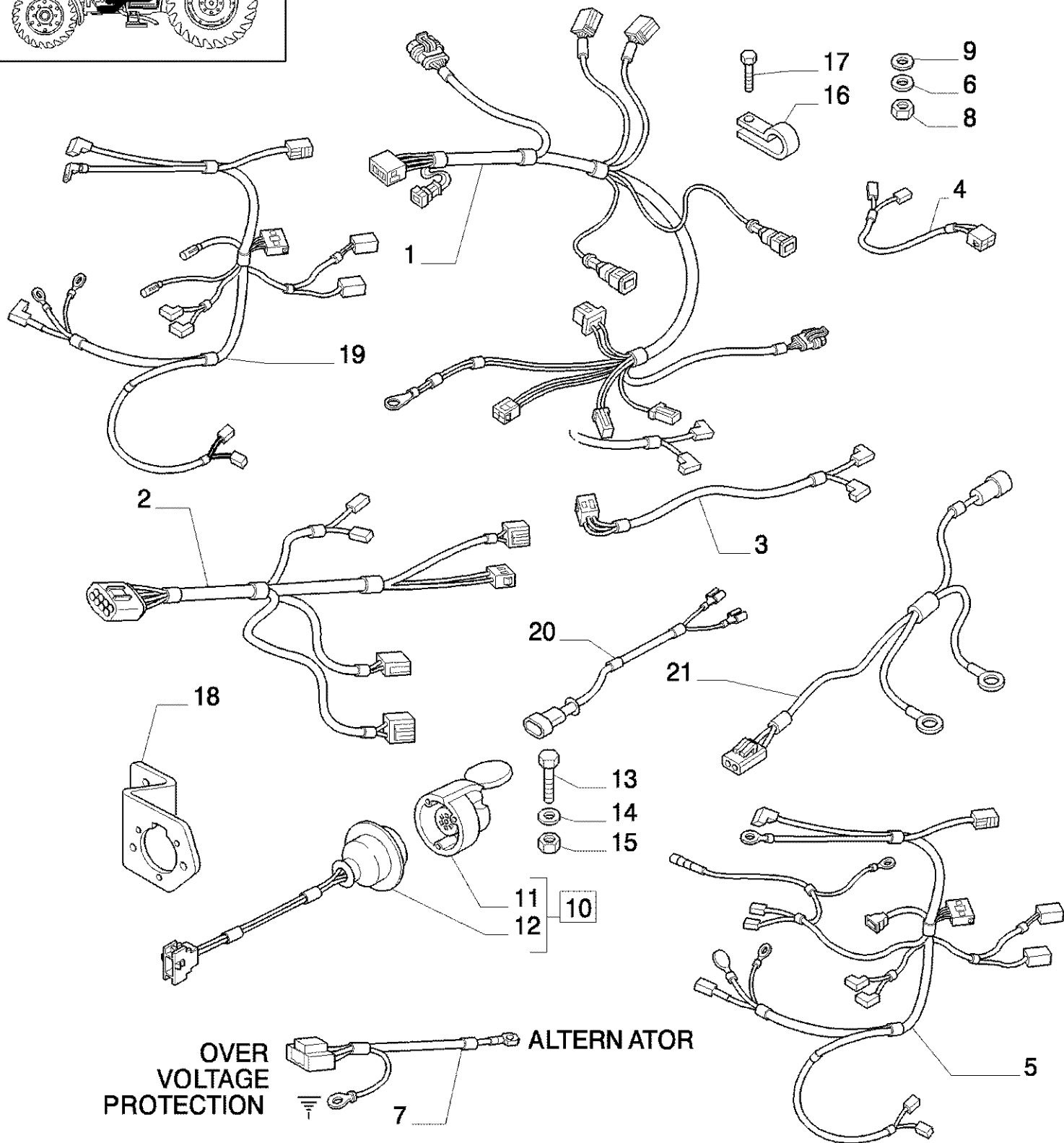
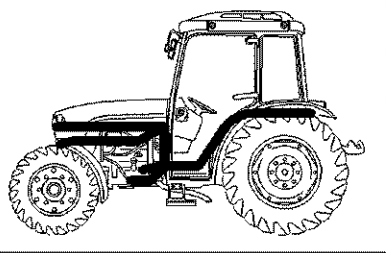
1.75.3 AANLSUITINGSKABELS



1.75.3 AANLSUITINGSKABELS

Ref	Onderdeelnummer	Kwt	Beschrijving
1	5180882	1	ELECTRISCHE KABEL, ASSY
2	47132196	1	RESERVOIRDOP,
4	11945208	1	SCHROEF, M6x30
5	5145401	1	KLEM,
6	5111023	1	MASSAKABEL,
7	11945208	1	SCHROEF, M10x25
9	11190574	1	WASHER, SPRING, Belleville, M10.5,
10	14574180	4	VEERKLEM,
11	5120229	2	PLAAT,
12	11193874	1	WASHER, SPRING, Belleville, M8.4, 8x16
13	16043124	1	BOUW, Hex, M8 x 14, 8.8, Full Thd,
14	13626521	1	SCHROEF, M10x25
15	5179441	1	STEUNBEUGEL,
3	15896221	1	MOER, M6, CI 10,
8	15896221	1	MOER, M6, CI 10,

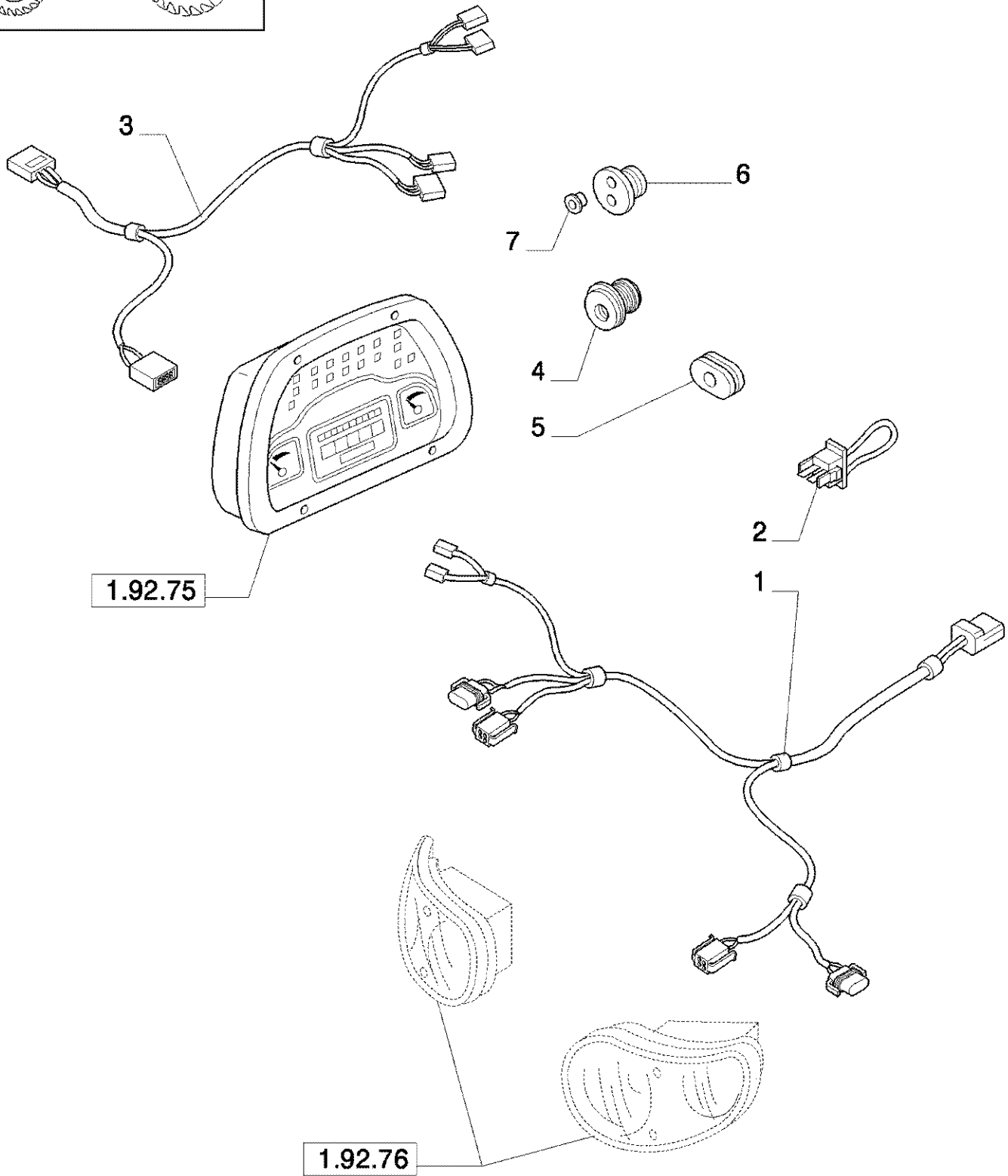
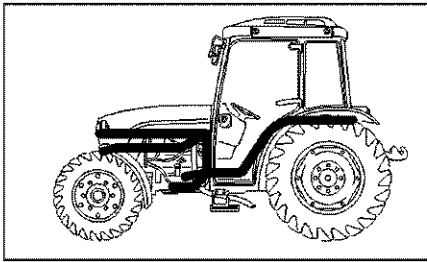
1.75.4(01) VERSCHILLENDE KABLES



1.75.4(01) VERSCHILLENDE KABLES

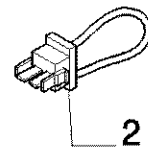
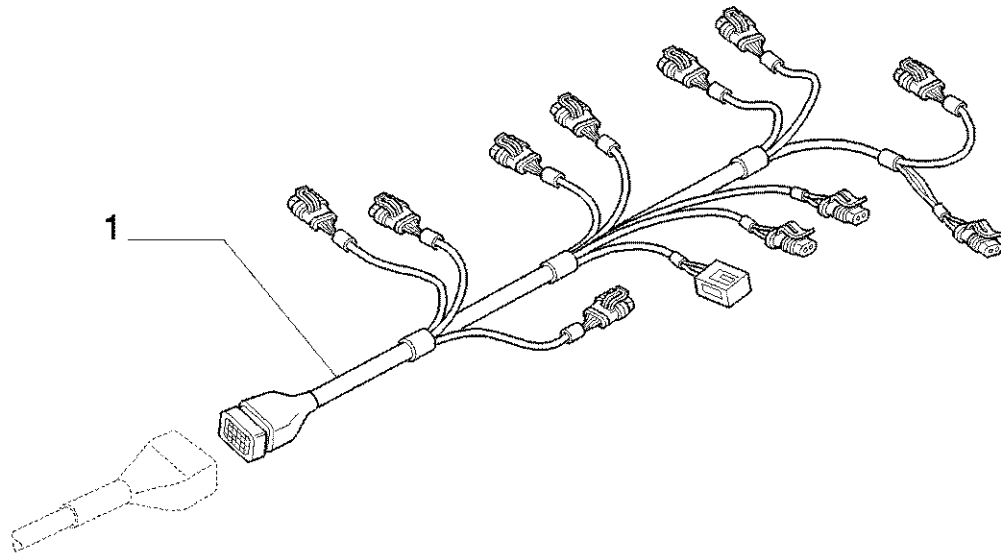
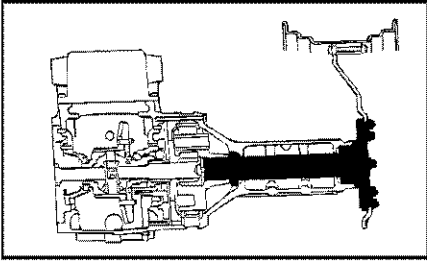
Ref	Onderdeelnummer	Kwt	Beschrijving
1	47132566	1	ELECTRISCHE KABEL, G/BOX SIDE
2	47130760	1	ELECTRISCHE KABEL, 4WD
3	5189718	1	ELECTRISCHE KABEL,
4	5191651	1	ELECTRISCHE KABEL, 4WD
5	47124996	1	ELECTRISCHE KABEL, ENG.SIDE, BSN HJE001572
6	12598374	1	VEERRING, D=8
7	5180464	1	ELECTRISCHE KABEL,
8	10794014	1	MOER, M4, CI 8,
9	12605671	1	VEERRING, Int Tooth, M10,
10	5196941	1	ELECTRISCHE KABEL, EARTH
10	47132892	1	ELECTRISCHE KABEL, INCL.REF.11, VAR.965
11	5102156	1	MEERV. POOLVERBINDINGSTU, C11
12	5188076	1	ELECTRISCHE KABEL, C21
13	13272924	3	SCHROEF, M4x35
14	89824840	3	SLUITRING, M4
15	10794014	3	MOER, M4, CI 8,
16	10450190	4	KLEM,
17	16297624	4	SCHROEF,
18	5180361	1	
19	47133115	1	ELECTRISCHE KABEL, , ASN HJE001573
20	47133107	1	ELECTRISCHE KABEL, , FOR ENGINE WATER TEMPERATURE SENSOR, BTW HJE001573 & HJH023484
21	47133100	1	ELECTRISCHE KABEL, , STOP ENGINE & KSB, BTW HJE001573 & HJH023484

1.75.4(02) VERSCHILLENDE KABLES

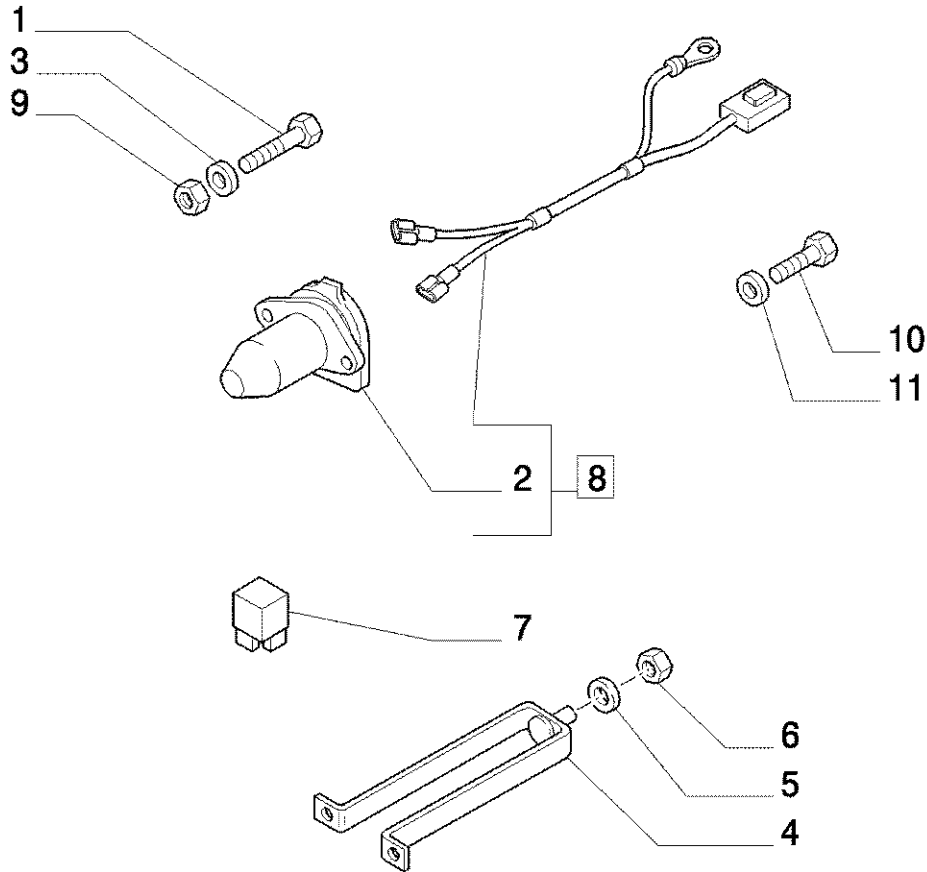
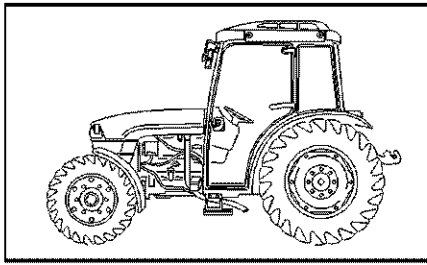


1.75.4(02) VERSCHILLENDE KABLES

Ref	Onderdeelnummer	Kwt	Beschrijving
1	47130760	1	ELECTRISCHE KABEL,
2	47124985	1	BRUG,
3	47127680	1	ELECTRISCHE KABEL,
4	47128618	1	RING, RUBBER, , -C5262
5	47127961	4	KABELDOORGANG,
6	47128617	1	RING, RUBBER, , D6262-
7	85802309	1	PLUG, , D5262-

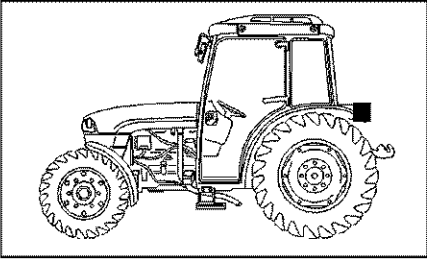


Ref	Onderdeelnummer	Kwt	Beschrijving
1	5191736	1	ELECTRISCHE KABEL, TRANSMISSION
2	5187976	1	BRUG, C11
3	14574180	2	VEERKLEM, 1-14

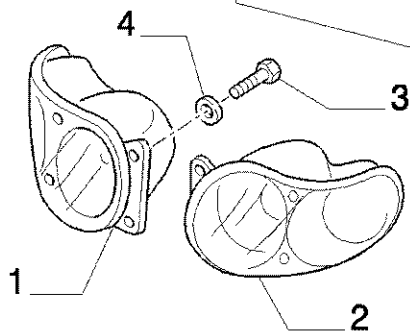
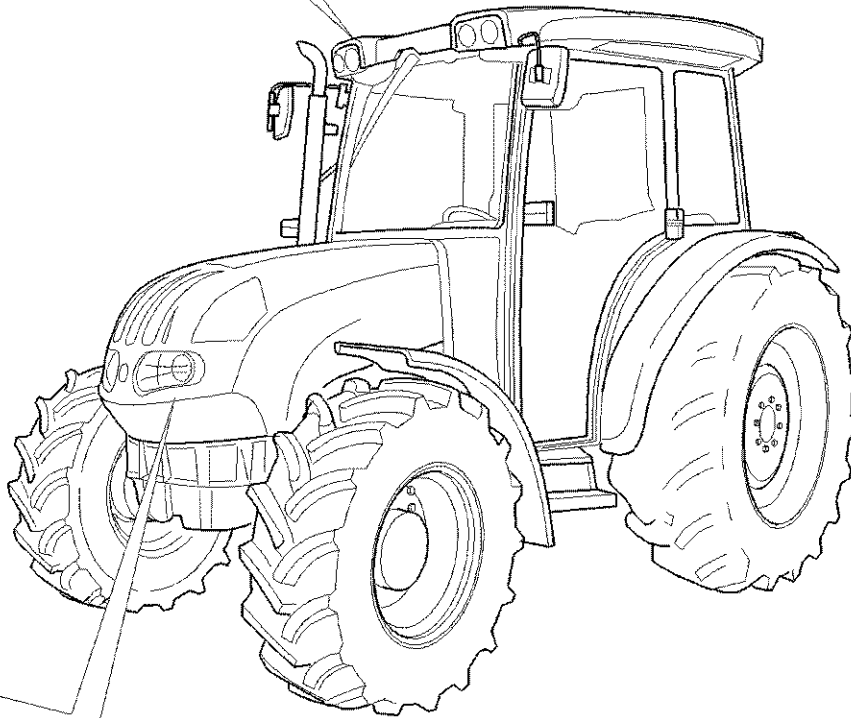
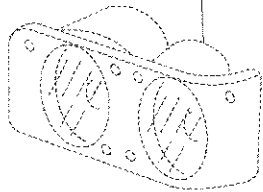


Ref	Onderdeelnummer	Kwt	Beschrijving
1	10977821	2	BOUT, Hex, M5 x 16, 8.8, Full Thd, , -C5366
2	5170243	1	STOPKONTAKT,
3	10571474	2	VEERRING, D=5, -C5366
4	5185640	1	STEUNBEUGEL,
5	11194774	1	WASHER, SPRING, Belleville, M6.4,
6	12575411	1	NUT, LOCK, M6 x 1, CI 8,
7	5173264	1	ZEKERING, 30A
8	5195318	1	ELECTRISCHE KABEL, INCL.REF. 2, BSN HJE014285
8	47136880	1	ELECTRISCHE KABEL, INCL.REF. 2, HJE014286-C5366
9	15896414	2	MOER, M5, CI 8, , -C5366
10	13271924	2	SCHROEF, Cross Pan Hd, M4 x 10, 8.8, , D5366-
11	11181479	2	WASHER, SPRING, Belleville, M4.3, , D5366-

1.75.6 VERLICHTINGSAPPARATUUR - VOORSTE PROJECTOR

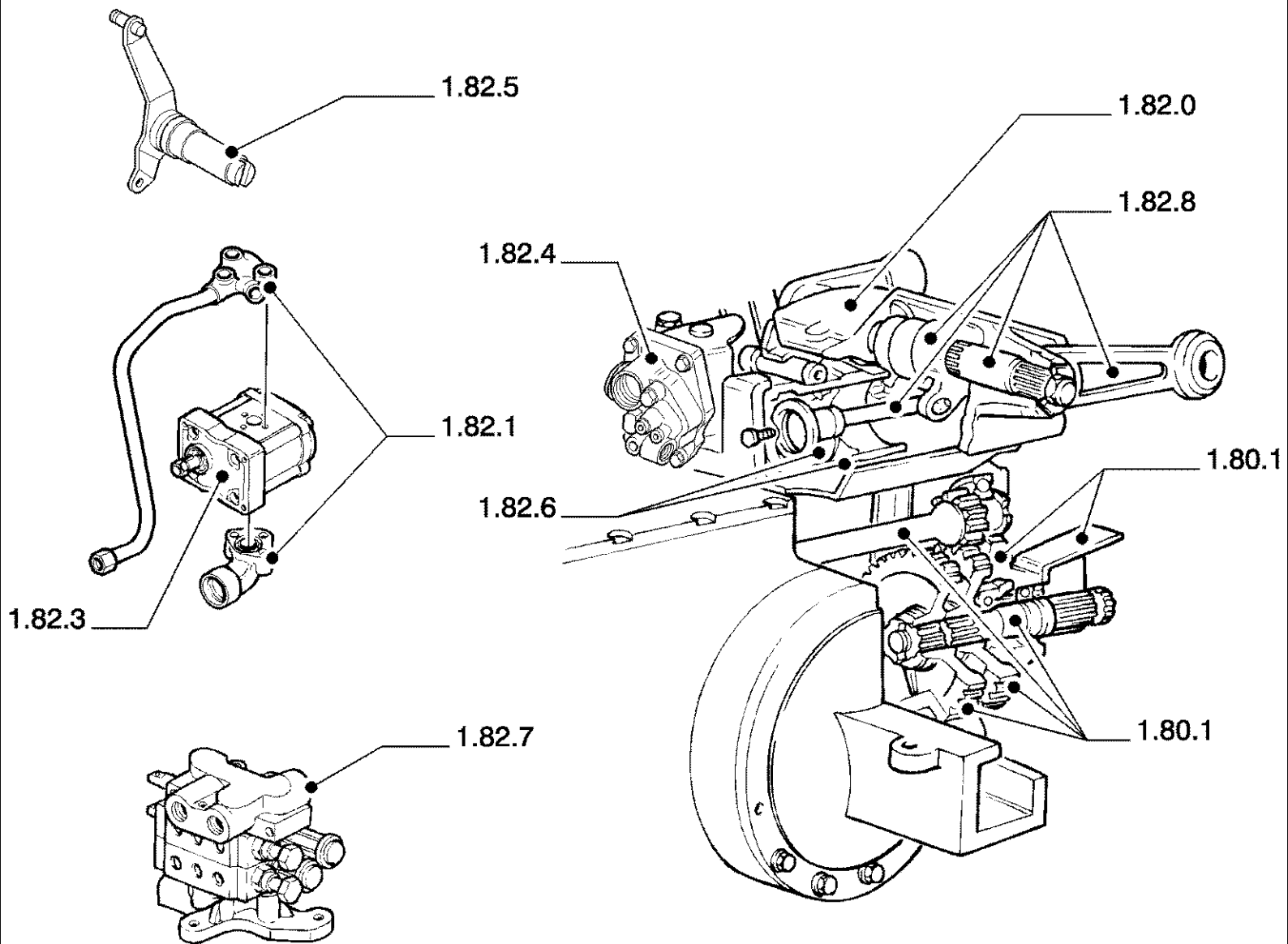


1.92.76

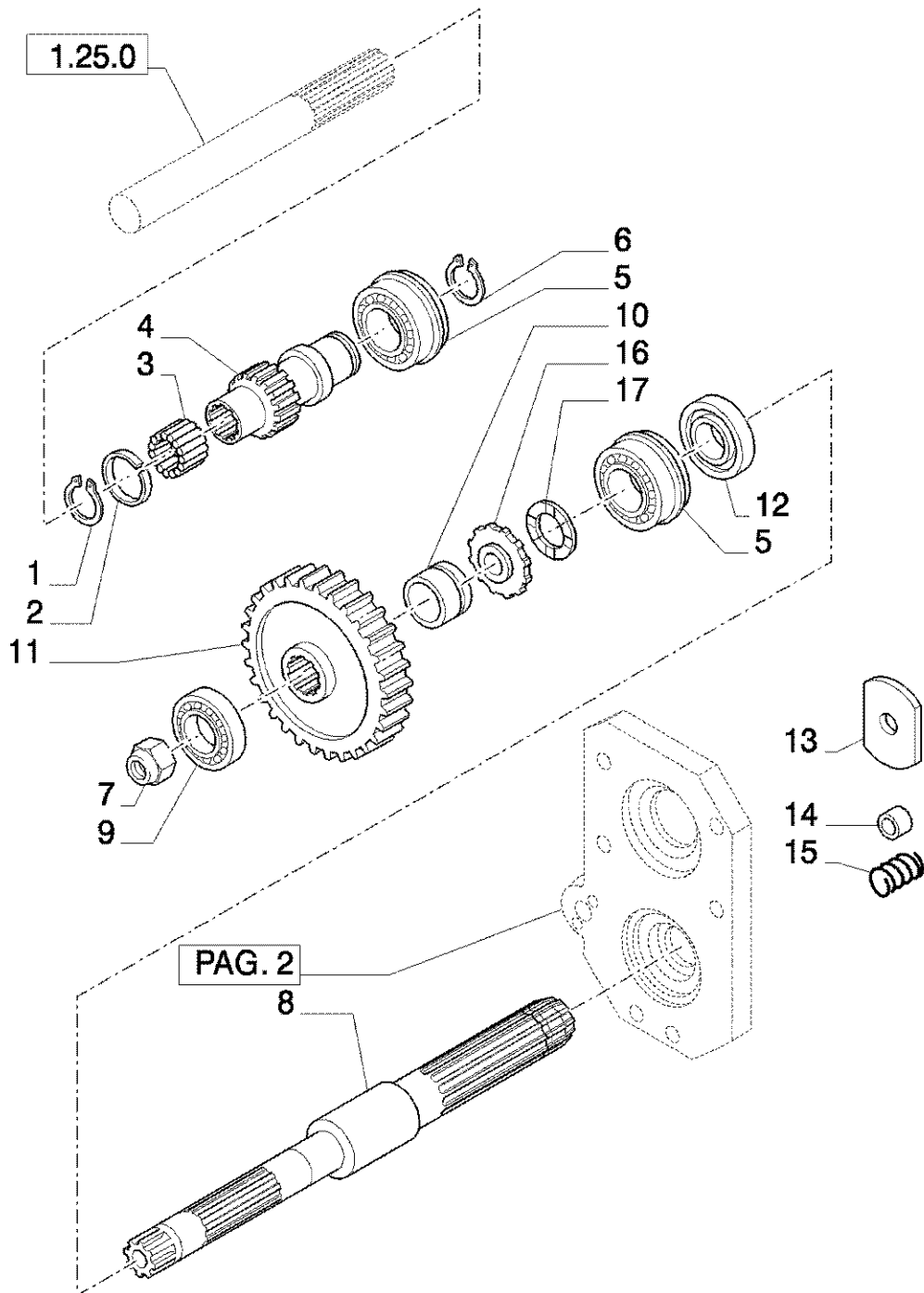
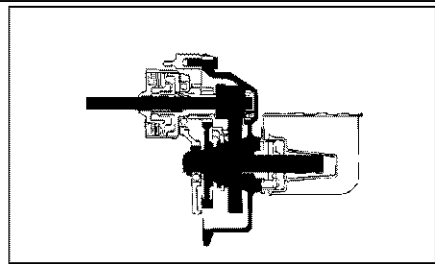


1.75.6 VERLICHTINGSAPPARATUUR - VOORSTE PROJECTOR

Ref	Onderdeelnummer	Kwt	Beschrijving
1	47056003	1	KOPLAMP, RH
2	47056056	1	KOPLAMP, LH
3	13276014	4	SCHROEF, Cross Pan Hd, M6 x 12,
4	14498801	4	SLUITRING, M6 x 16.3 x 1,



Ref	Onderdeelnummer	Kwt	Beschrijving

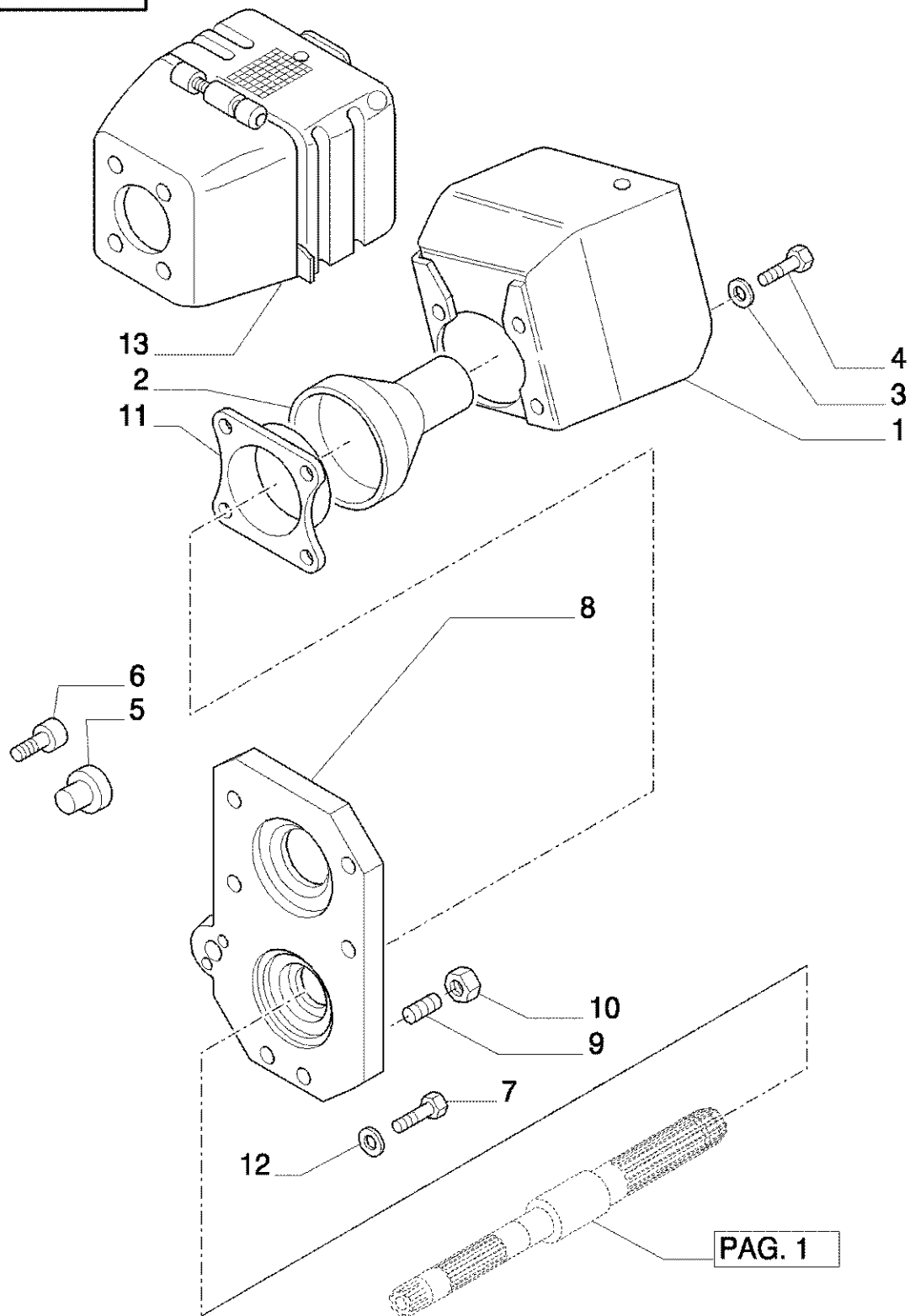
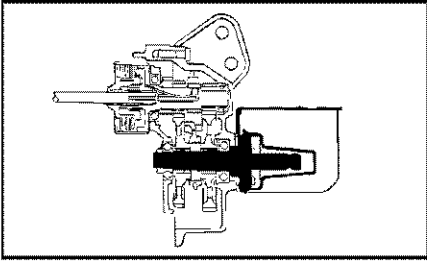


360 KOMPAKT TRACTOR (4/03-) - Hydraulisch Systeem

1.80.1(01) KRACHTAFNAME (540 RPM)

Ref	Onderdeelnummer	Kwt	Beschrijving
1	84078050	1	RING, SNAP, M22, Int,
2	5142178	1	SLUITRING,
3	5173210	1	ROLLENKOOI, 43x58x22
4	47123687	1	AS,
5	5168238	2	ROLLENKOOI, 40x90x23
6	11068876	1	RING, SNAP, M40, Ext,
7	5122985	1	MOER, M32
8	5173440	1	AS,
9	20045200	1	LAGER, KOGEL, 35x80x21
10	5175203	1	AFSTANDSRING,
11	5168257	1	AANGEDREVEN TANDWIEL,
12	5124606	1	DICHTINGSSTUK, 50x65x8
13	5180606	1	REMSCHIJF,
14	5180607	1	AFSTANDSRING,
15	5180608	1	VEER,
16	5173231	1	GETANDE RING, , BSN HJE029578
16	87302766	1	SCHIJF, , ASN HJE029579
17	87341678	1	SLUITRING, , ASN HJE029579

1.80.1(02) KRACHTAFNAME (540 RPM)



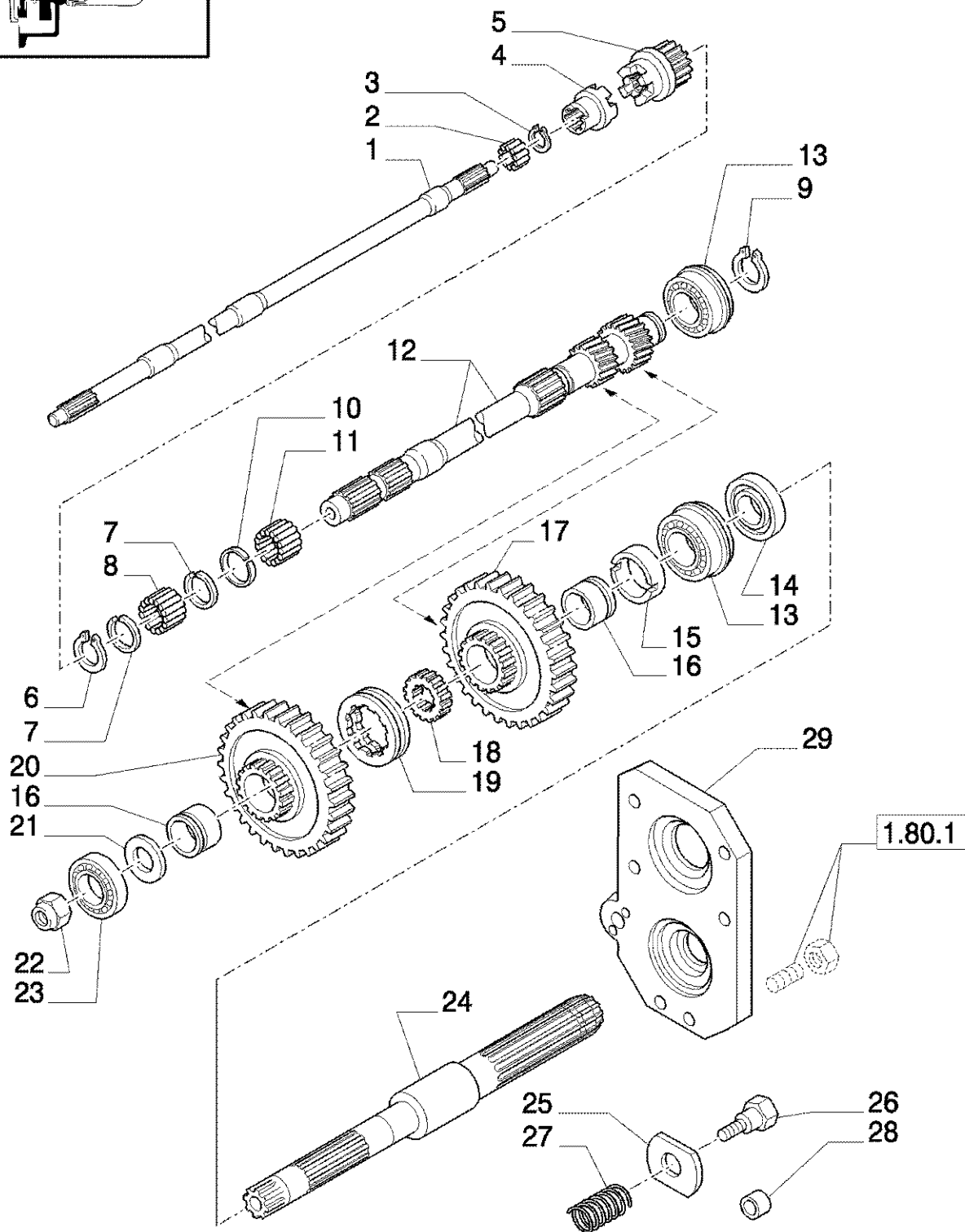
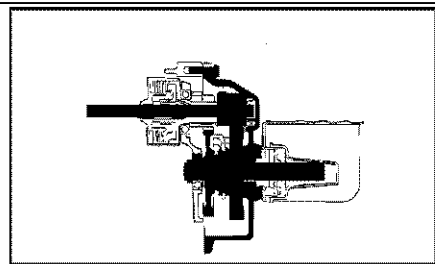
PAG. 1



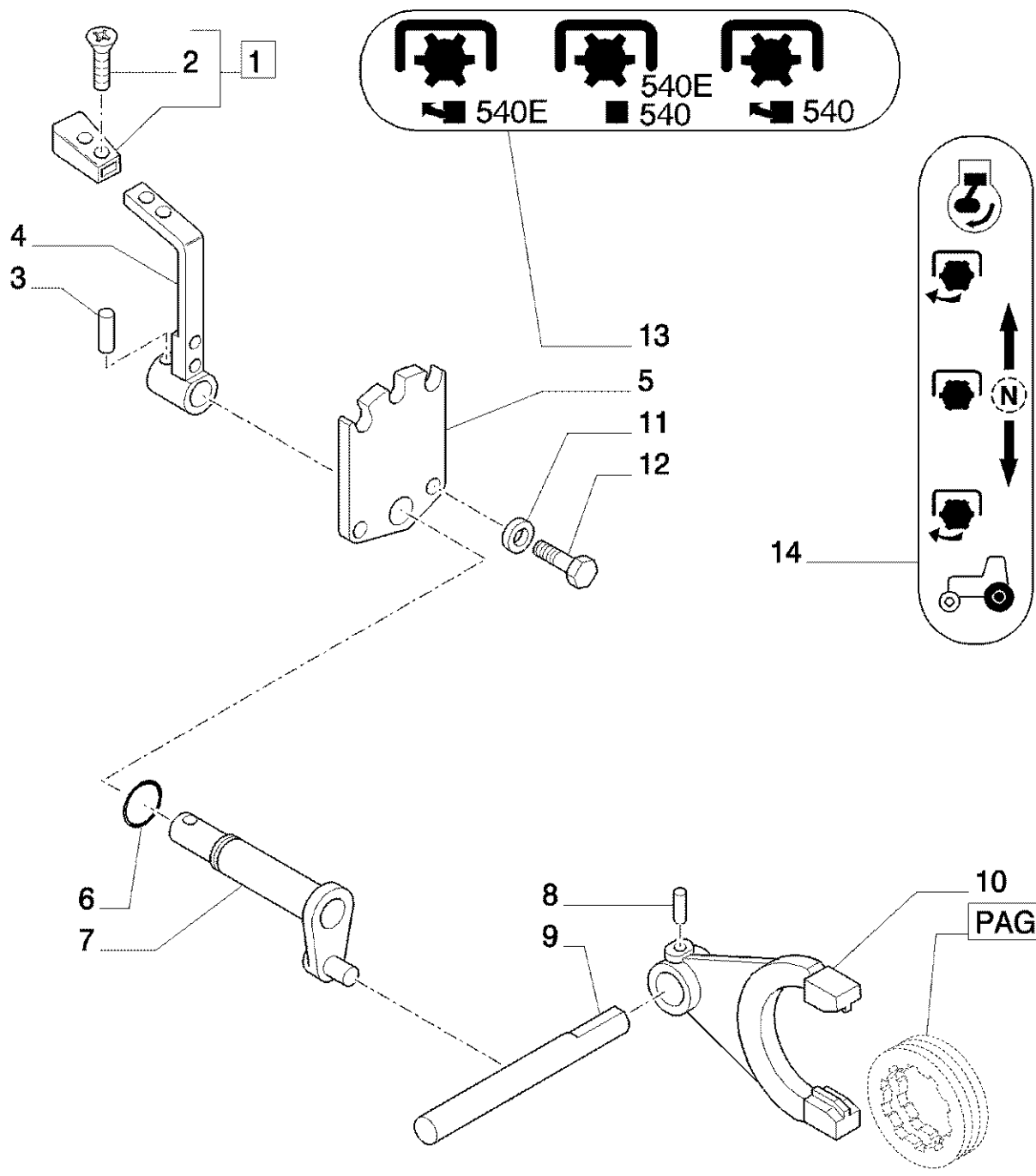
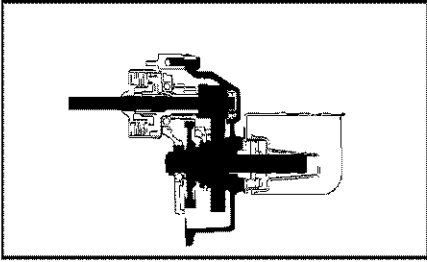
360 KOMPAKT TRACTOR (4/03-) - Hydraulisch Systeem

1.80.1(02) KRACHTAFNAME (540 RPM)

Ref	Onderdeelnummer	Kwt	Beschrijving
1	5158241	1	AFSCHERMING,
2	5171520	1	AFSCHERMING,
3	10569374	4	VEERRING, M8
4	80120228	4	SCHROEF, M8x20
5	14507297	1	PLUG, A45
6	14592587	2	SCHROEF, 6.5x3.5
7	16043424	2	BOUT, Hex, M8 x 20, 8.8, Full Thd,
8	5188999	1	DEKSEL,
9	13543624	6	TAPEIND, M8x16x30
10	16100811	6	MOER, M8, CI 8,
11	5155332	1	AFSCHERMING,
12	11193874	1	WASHER, SPRING, Belleville, M8.4, D=8
13	5199352	1	AFSCHERMING, FOR VAR.837 ONLY



Ref	Onderdeelnummer	Kwt	Beschrijving
1	5177718	1	AS,
2	5103238	1	ROLLENKOOI, 15x21x16
3	11067276	1	RING, SNAP, M24, Ext,
4	5172083	1	SLEEVE,
5	5183818	1	SLEEVE,
6	13398776	1	RING, SNAP, M35, Int,
7	5173213	2	SLUITRING,
8	5173212	1	ROLLENKOOI, 37x52x22
9	11068876	1	RING, SNAP, M40, Ext,
10	5142178	1	SLUITRING,
11	5173210	1	ROLLENKOOI, 43x58x22
12	47123684	1	AS, 540-750 RPM
13	5168238	2	ROLLENKOOI, 40x90x23
14	5124606	1	DICTINGSSTUK, 50X65X8
15	5124675	2	SLUITRING DRUKPLAAT,
16	5124668	2	RING,
17	5168208	1	AANGEDREVEN TANDWIEL, 750 RPM
18	5130550	1	SLEEVE,
19	5130551	1	SLEEVE,
20	47123681	1	TANDWIEL, 540 RPM
21	5168181	1	SLUITRING DRUKPLAAT,
22	5122985	1	MOER, M32
23	20045200	1	LAGER, KOGEL, 35x80x21
24	5173440	1	AS,
25	47131175	1	REMSCHIJF,
26	47130774	1	PEN,
27	47132279	1	VEER,
28	5180607	1	AFSTANDSRING,
29	47133661	1	DEKSEL,



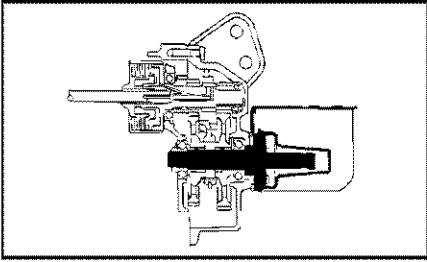
PAG.1



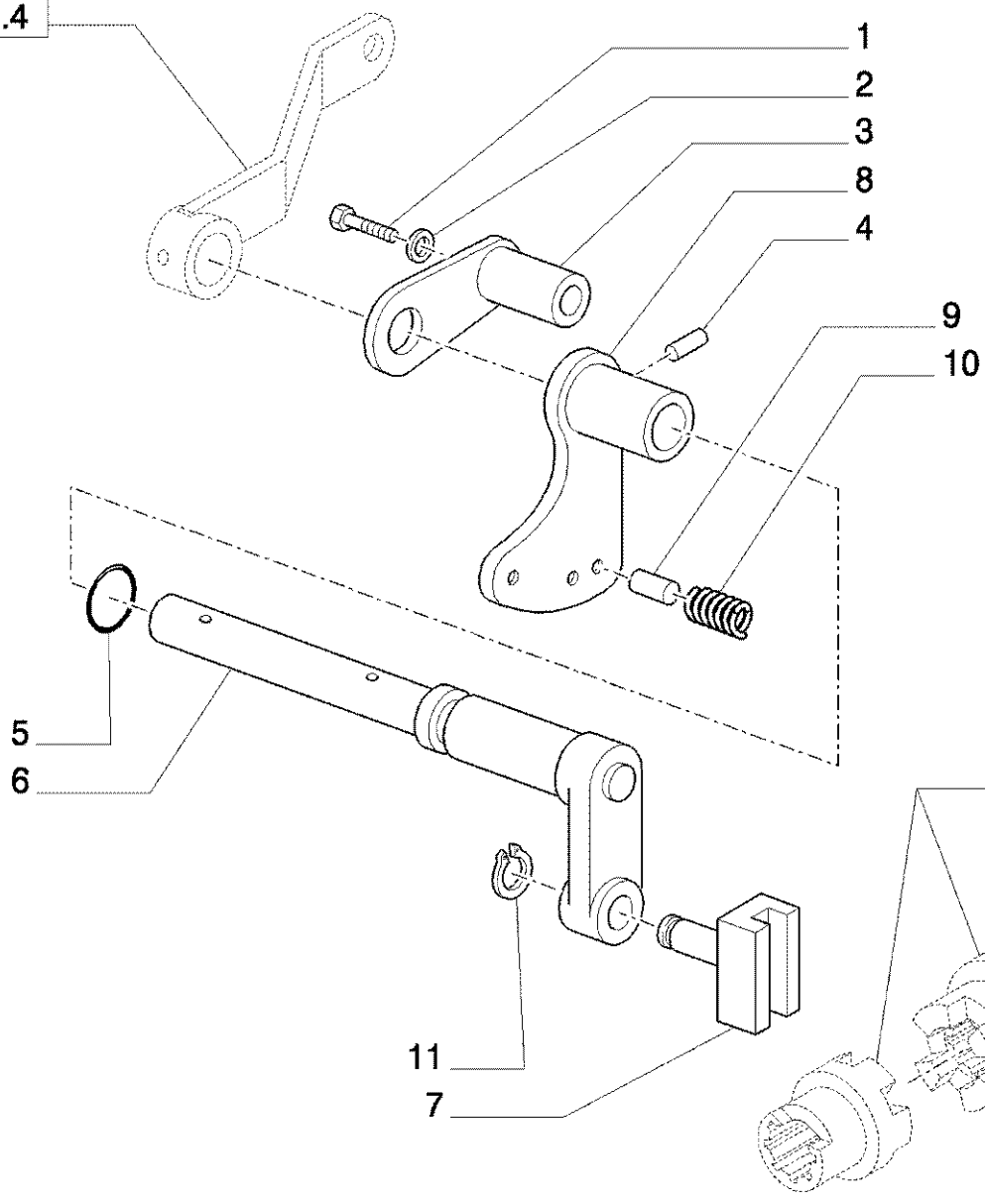
360 KOMPAKT TRACTOR (4/03-) - Hydraulisch Systeem

1.80.1/01(02) (VAR.804) GESYNCHRONISEERDE P.T.O. (540-540E RPM) - STAAF, GAFFEL EN KENTEKENPLATEN

Ref	Onderdeelnummer	Kwt	Beschrijving
1	5131161	1	HANDGREEP,
2	15919407	2	ZELFTAPPENDE SCHROEF, Cross Flat Hd, M6.3 x 16,
3	14601270	1	SLUITPEN, M5 x 28, Slotted,
4	5177567	1	HEFBOOM,
5	5177569	1	GETANDE SECTOR, TOOTHED
6	14457281	1	O-RING, -114, CI 7, .612" ID x .103" Thk, (M15.54 ID x 2.62 Thk)
7	5173465	1	HEFBOOM,
8	14604070	1	SLUITPEN, M6 x 28, Slotted,
9	5176335	1	STANG,
10	5173448	1	VORK,
11	10516874	2	VEERRING, M10
12	18700721	2	BOUT, Hex, M10 x 1.25 x 20, 8.8, Full Thd,
13	47129025	1	IDENTIFIKATIEPLAATJE,
14	47136114	1	IDENTIFIKATIEPLAATJE,



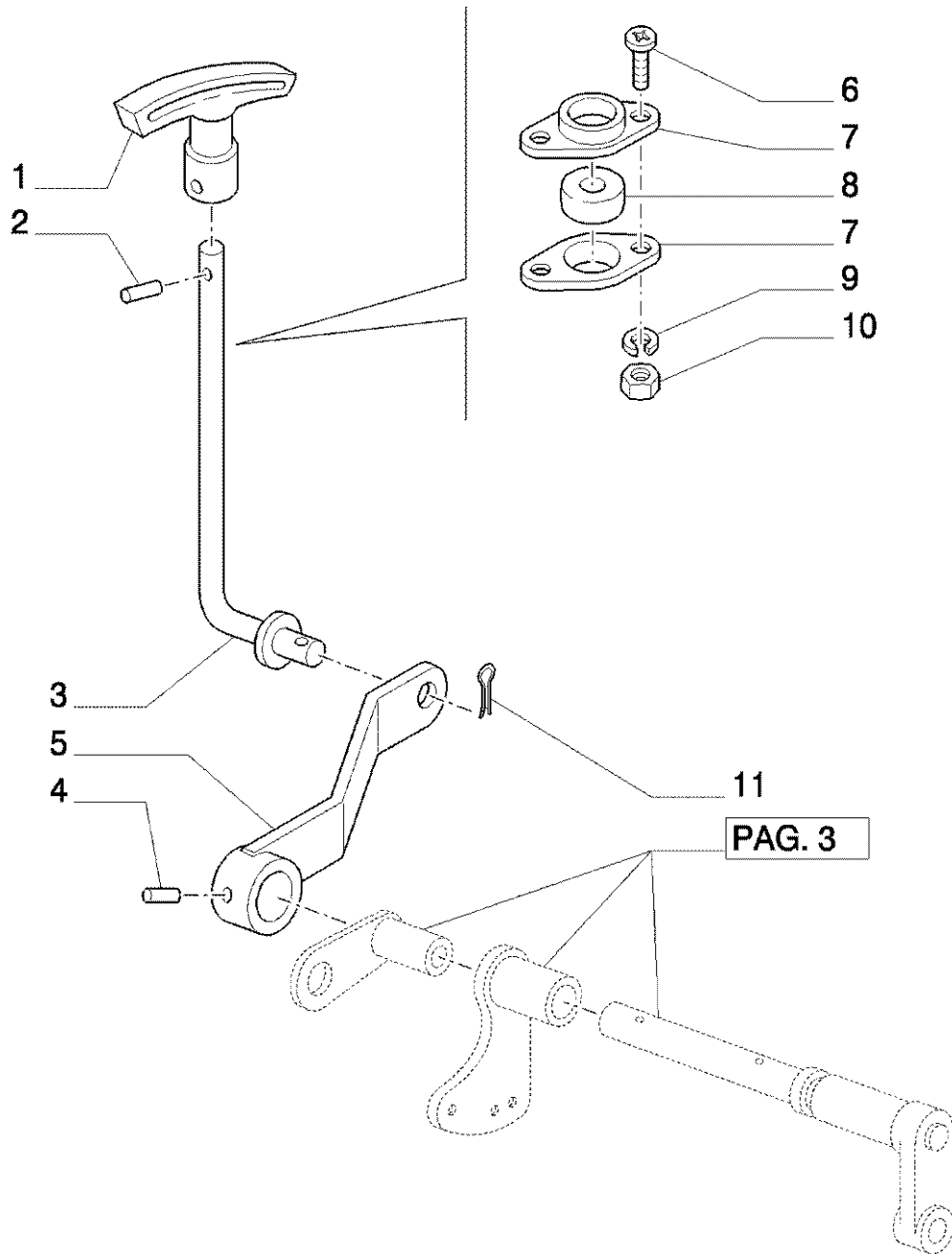
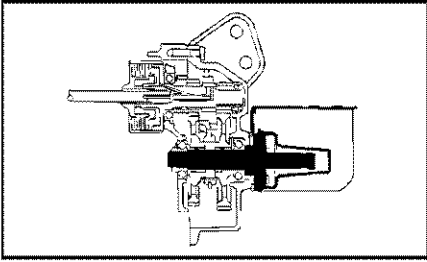
PAG.4



360 KOMPAKT TRACTOR (4/03-) - Hydraulisch Systeem

1.80.1/01(03) (VAR.804) GESYNCHRONISEERDE P.T.O. (540-540E RPM) - BEUGEL, HENDEL EN KNOP

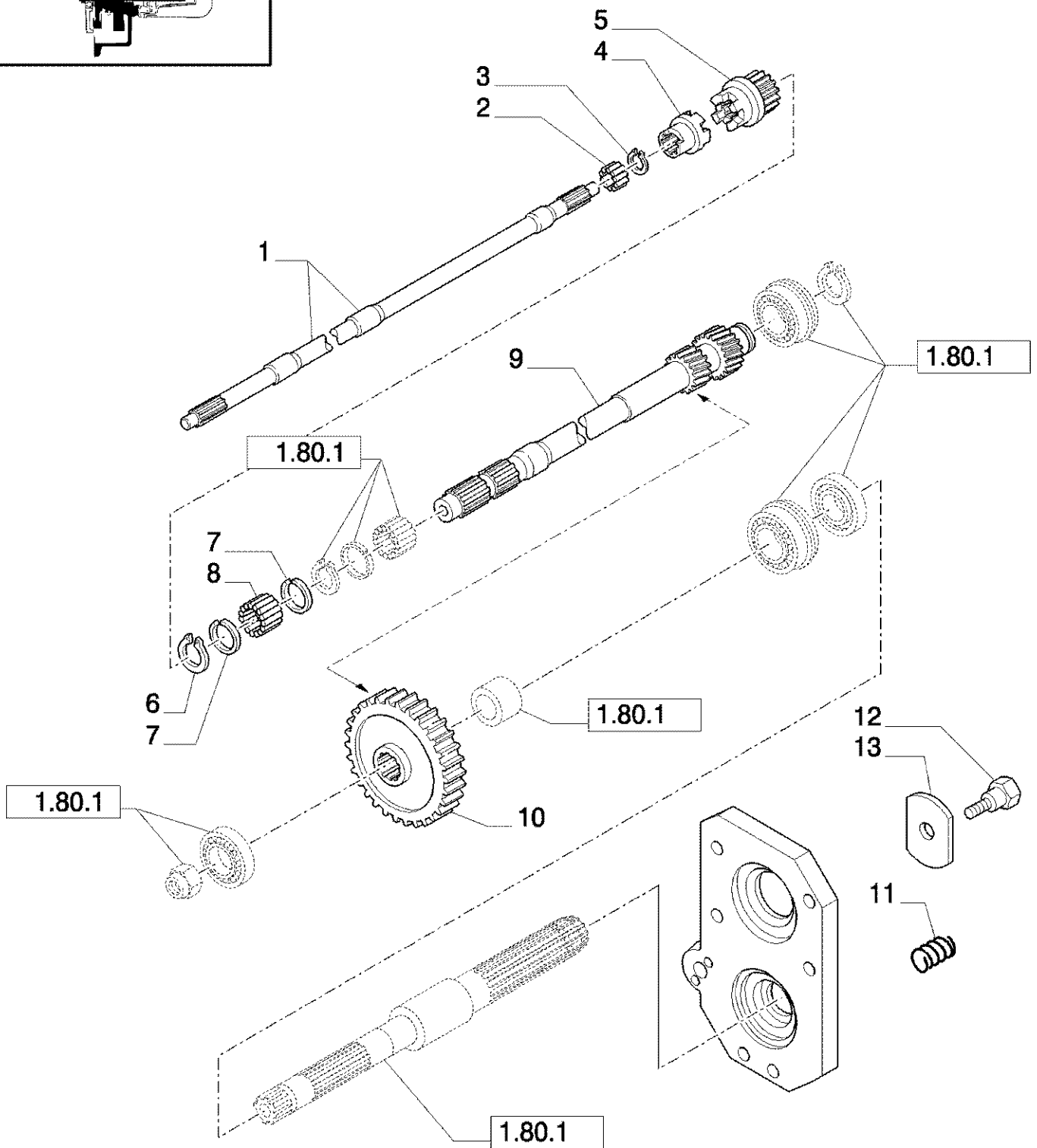
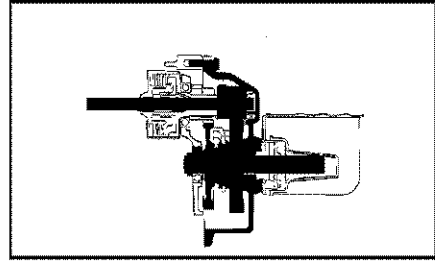
Ref	Onderdeelnummer	Kwt	Beschrijving
1	11343821	1	BOUT, Hex, M10 x 1.25 x 50, 8.8,
2	10571870	1	VEERRING,
3	5173205	1	STEUNBEUGEL,
4	14604070	1	SLUITPEN, M6 x 28, Slotted,
5	14457281	1	O-RING, -114, CI 7, .612" ID x .103" Thk, (M15.54 ID x 2.62 Thk)
6	5183817	1	HEFBOOM,
7	5174330	1	GLIJSCHOEN,
8	47129967	1	HEFBOOM,
9	5150839	1	PAWL,
10	5128251	1	VEER,
11	11065976	1	RING, SNAP, M10, Ext,



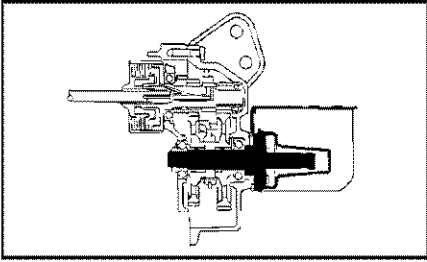
360 KOMPAKT TRACTOR (4/03-) - Hydraulisch Systeem

1.80.1/01(04) (VAR.804) GESYNCHRONISEERDE AFTAKAS (540-540E RPM) - STANG EN HANDGREEP

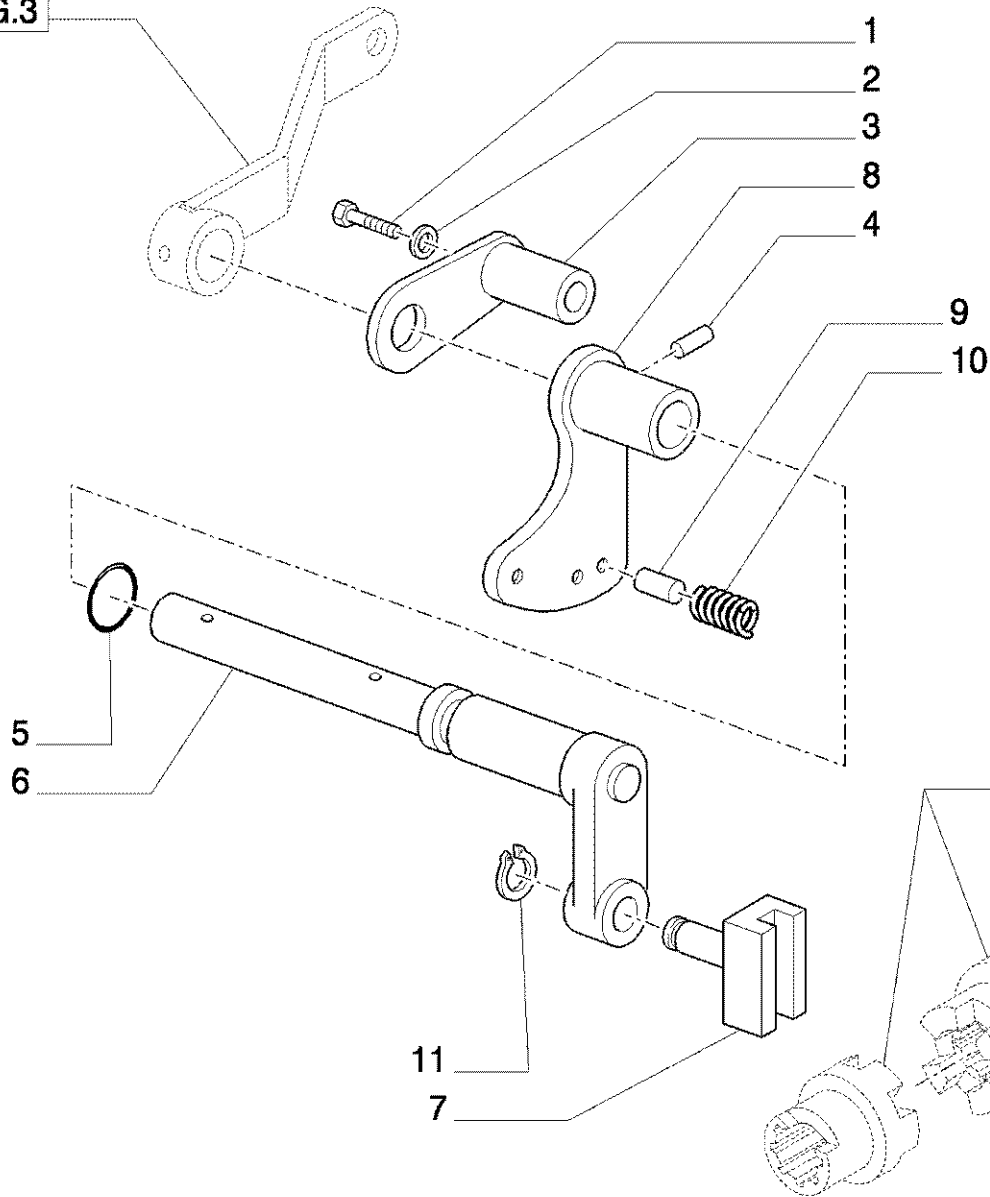
Ref	Onderdeelnummer	Kwt	Beschrijving
1	5112148	1	HANDGREEP,
2	13904670	1	SPANSTIFT, M4 x 20, Coiled,
3	5174805	1	TREKSTANG,
4	13910570	1	SPANSTIFT, M6 x 36, Coiled,
5	5171130	1	HEFBOOM,
6	13276217	2	SCHROEF, Cross Pan Hd, M6 x 16,
7	5156494	2	FLENS,
8	5109058	1	LAGERBUS, D=10.5 x 25 x 16
9	11197774	2	WASHER, SPRING, Belleville, M6.4,
10	10734301	1	SPLITPEN, M2 x 18,



Ref	Onderdeelnummer	Kwt	Beschrijving
1	5177718	1	AS,
2	5103238	1	ROLLENKOOI, 15x21x16
3	11067276	1	RING, SNAP, M24, Ext,
4	5172083	1	SLEEVE,
5	5183818	1	SLEEVE,
6	13398776	1	RING, SNAP, M35, Int,
7	5173213	2	SLUITRING,
8	5173212	1	ROLLENKOOI, 37x52x22
9	47123686	1	AS,
10	47123682	1	TANDWIEL,
11	47132279	1	VEER,
12	47130774	1	PEN,
13	47131175	1	REMSCHIJF,
14	47133661	1	DEKSEL,



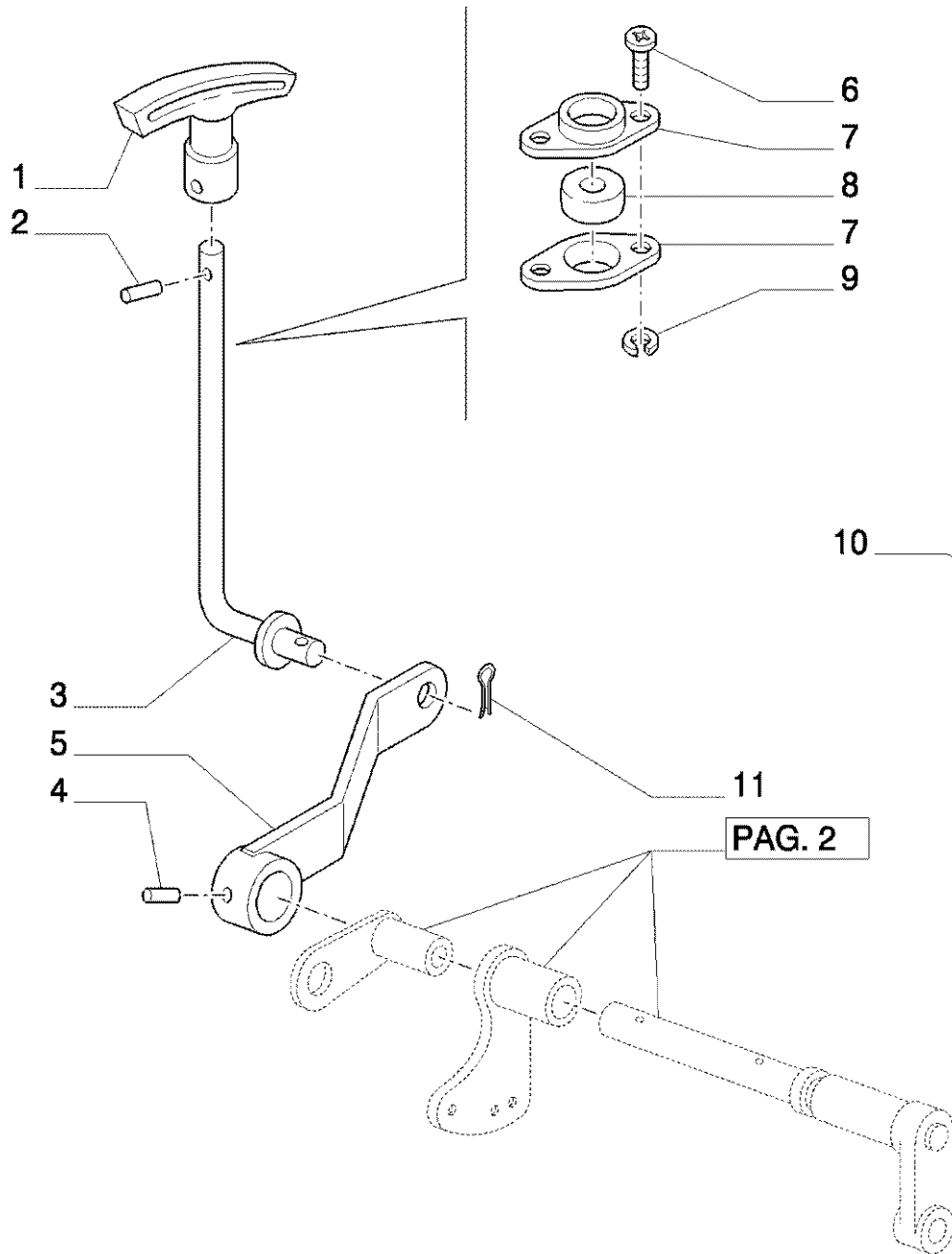
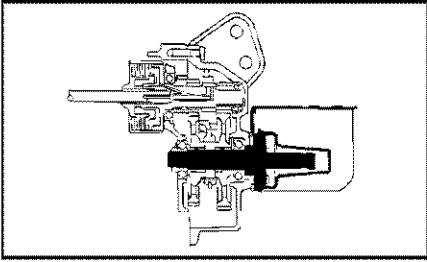
PAG.3



PAG.1



Ref	Onderdeelnummer	Kwt	Beschrijving
1	11343821	1	BOUT, Hex, M10 x 1.25 x 50, 8.8,
2	10516874	1	VEERRING, M10
3	5173205	1	STEUNBEUGEL,
4	14604070	1	SLUITPEN, M6 x 28, Slotted,
5	14457281	1	O-RING, -114, CI 7, .612" ID x .103" Thk, (M15.54 ID x 2.62 Thk)
6	5183817	1	HEFBOOM,
7	5174330	1	GLIJSCHOEN,
8	47129967	1	HEFBOOM,
9	5150839	1	PAWL,
10	5128251	1	VEER,
11	11065976	1	RING, SNAP, M10, Ext,



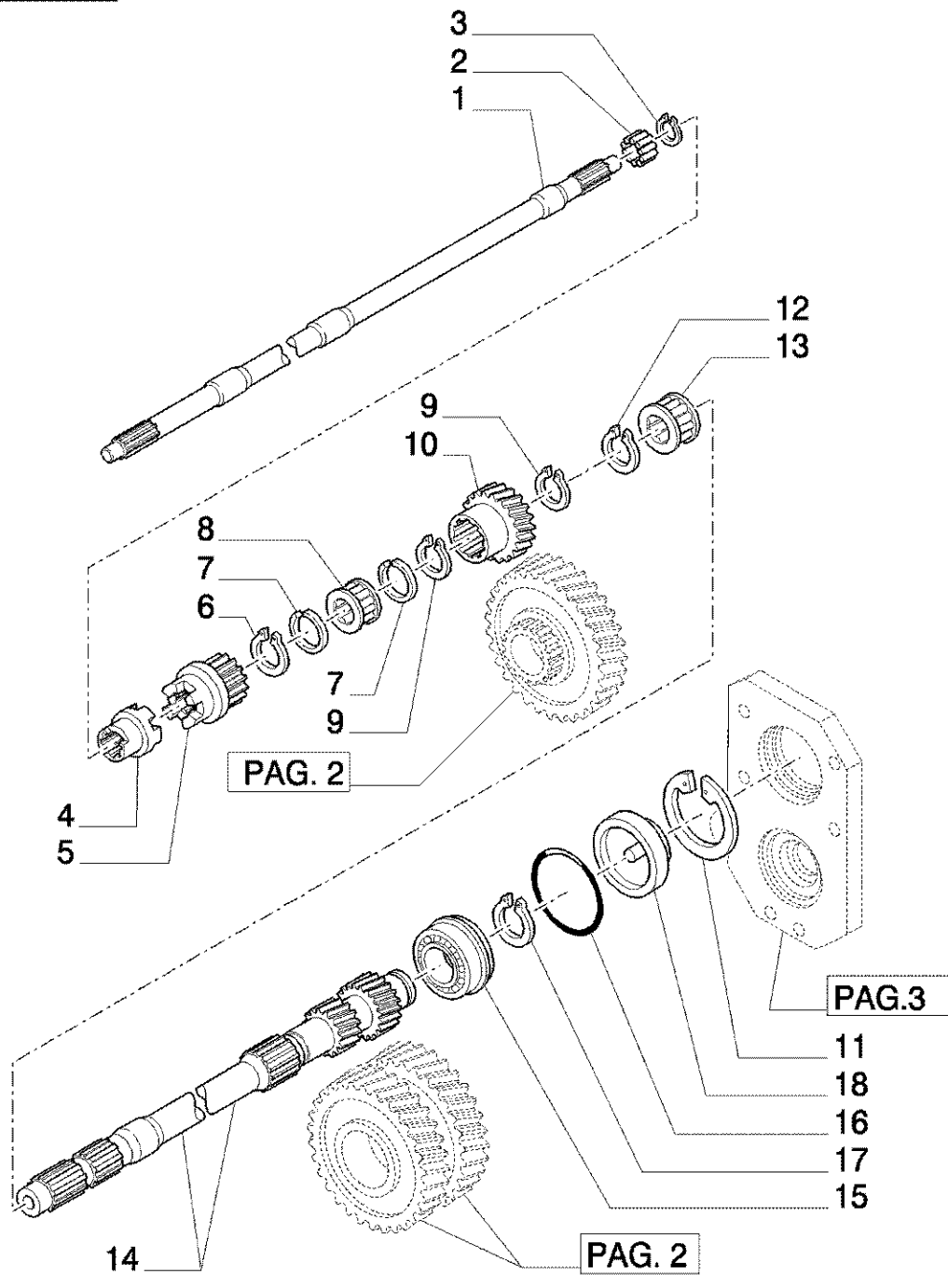
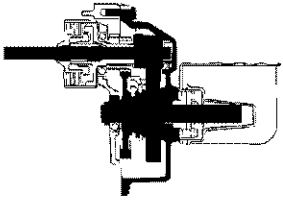
PAG. 2



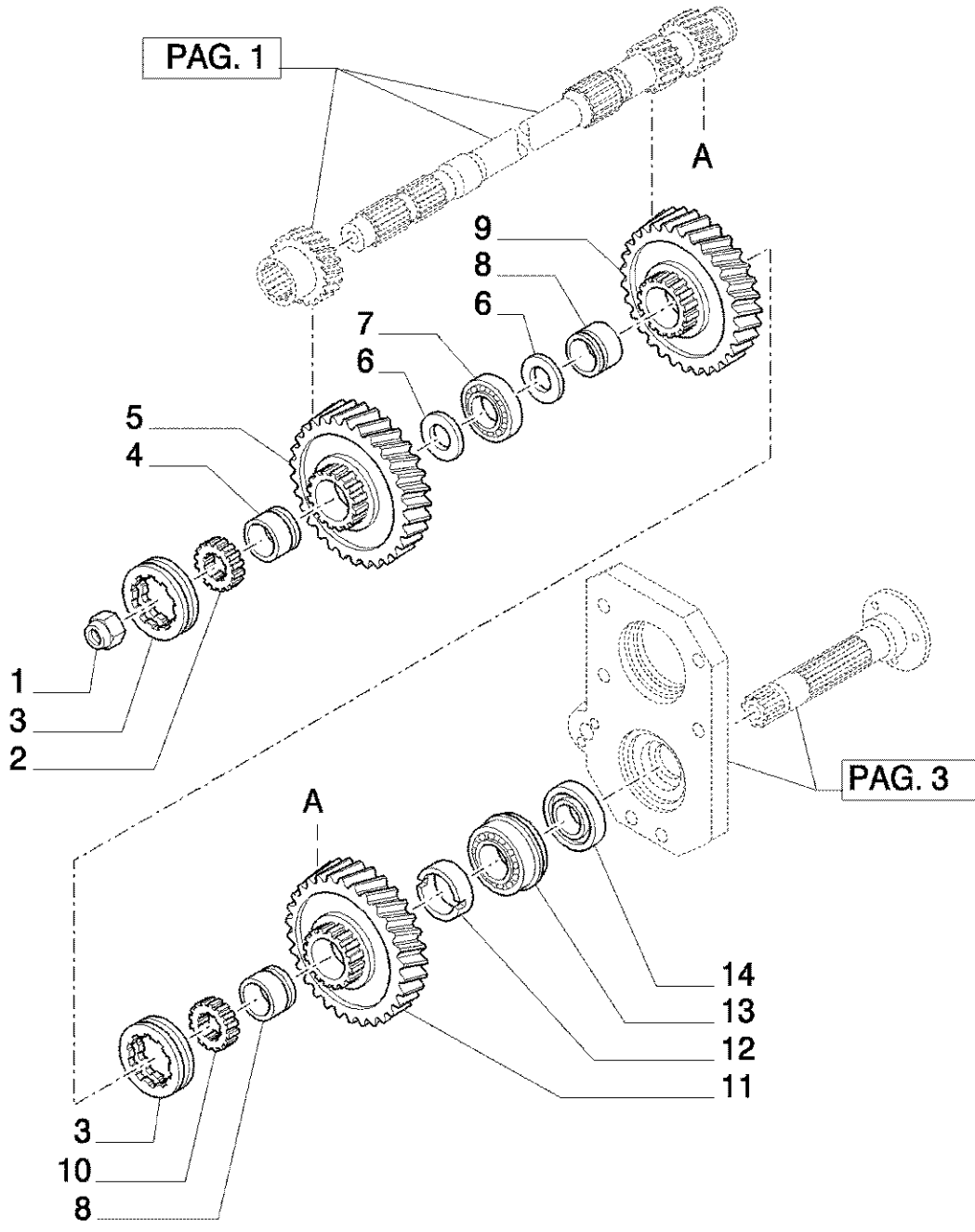
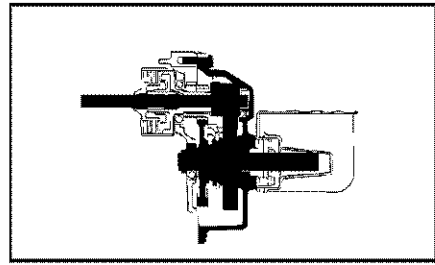
360 KOMPAKT TRACTOR (4/03-) - Hydraulisch Systeem

1.80.1/02(03) (VAR.807) GESYNCHRONISEERDE P.T.O. (540 RPM) - STAAF EN HANDGREP

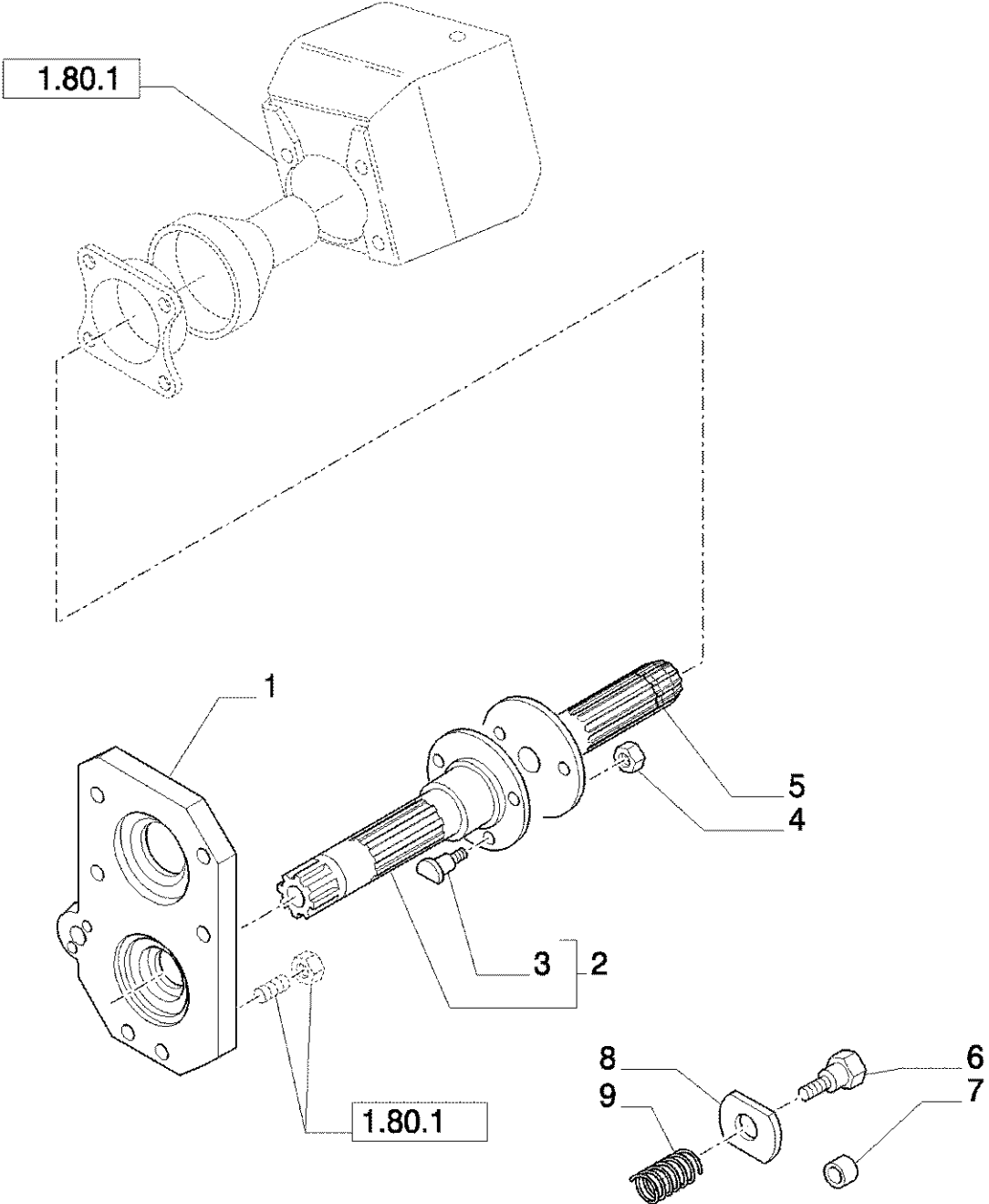
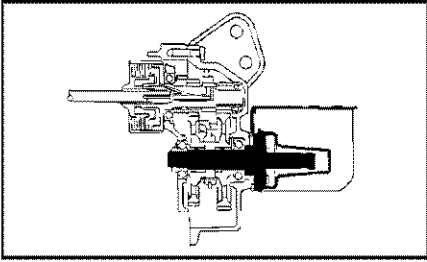
Ref	Onderdeelnummer	Kwt	Beschrijving
1	5112148	1	HANDGREEP,
2	13904670	1	SPANSTIFT, M4 x 20, Coiled,
3	5174805	1	TREKSTANG,
4	13910570	1	SPANSTIFT, M6 x 36, Coiled,
5	5171130	1	HEFBOOM,
6	13276217	2	SCHROEF, Cross Pan Hd, M6 x 16,
7	5156494	2	FLENS,
8	5109058	1	LAGERBUS, D=10.5 x 25 x 16
9	11197774	2	WASHER, SPRING, Belleville, M6.4,
10	47136114	1	IDENTIFIKATIEPLAATJE,
11	10734301	1	SPLITPEN, M2 x 18,



Ref	Onderdeelnummer	Kwt	Beschrijving
1	5177718	1	AS,
2	5103238	1	ROLLENKOOI, 15x21x16
3	11067276	1	RING, SNAP, M24, Ext,
4	5172083	1	SLEEVE,
5	5183818	1	SLEEVE,
6	13398776	1	RING, SNAP, M35, Int,
7	5173213	2	SLUITRING,
8	5173212	1	ROLLENKOOI, 37x52x22
9	11068976	2	RING, SNAP, M42, Ext,
10	47123685	1	TANDWIEL, 1000RPM
11	80370026	1	BORGVEER,
12	5142178	1	SLUITRING,
13	5173210	1	ROLLENKOOI, 43x58x22
14	47123684	1	AS, 540-750RPM
15	5168238	1	ROLLENKOOI, 40x90x23
16	14466080	1	O-RING, -242, 70 Duro, 3.984" ID x .139" Thk,
17	11068876	1	RING, SNAP, M40, Ext,
18	47133662	1	DEKSEL,



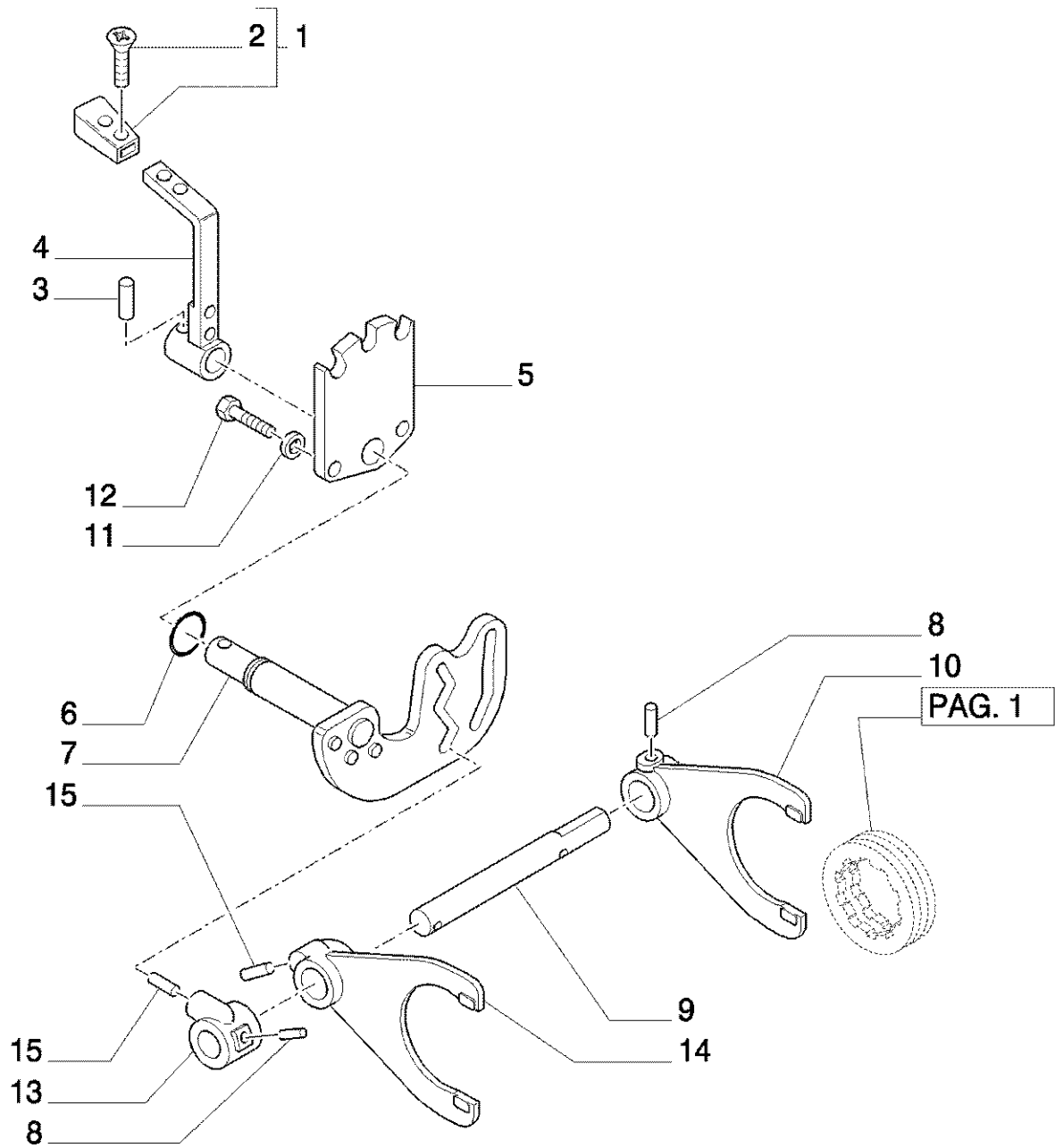
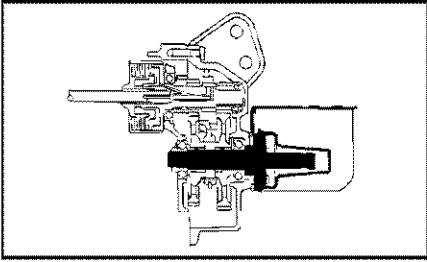
Ref	Onderdeelnummer	Kwt	Beschrijving
1	5100183	1	MOER, M28x1,5
2	5173196	1	SLEEVE,
3	5130551	2	SLEEVE,
4	5173189	1	RING,
5	47123683	1	TANDWIEL, 1000RPM
6	5168181	2	SLUITRING DRUKPLAAT,
7	20045200	1	LAGER, KOGEL, 35x80x21
8	5124668	2	RING,
9	47123681	1	TANDWIEL, 540RPM
10	5130550	1	SLEEVE,
11	5168208	1	AANGEDREVEN TANDWIEL, 750RPM
12	5124675	1	SLUITRING DRUKPLAAT,
13	5168238	1	ROLLENKOOI, 40x90x8
14	5124606	1	DICHTINGSSTUK, 50x65x8



360 KOMPAKT TRACTOR (4/03-) - Hydraulisch Systeem

1.80.1/03(03) (VAR.817) GESYNCHRONISEERDE KRACHTAFNEMER (540-540E-1000 RPM) - ASSEN EN DEKSEL

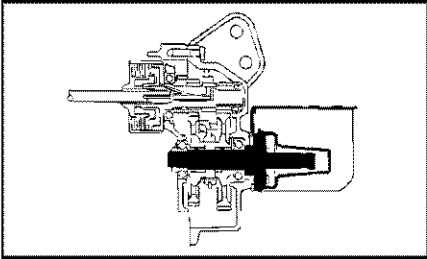
Ref	Onderdeelnummer	Kwt	Beschrijving
1	5187934	1	DEKSEL,
2	5173191	1	AS,
3	44012300	3	SCHROEF, M12x37
4	16105025	3	NUT, LOCK, M12 x 1.25, CI 10,
5	5185601	1	AS, 1000RPM 21 TEETH
5	5185602	1	AS, 540RPM 6 TEETH
6	47130774	1	PEN,
7	5180607	1	AFSTANDSRING,
8	47132279	1	VEER,
9	47131175	1	REMSCHIJF,



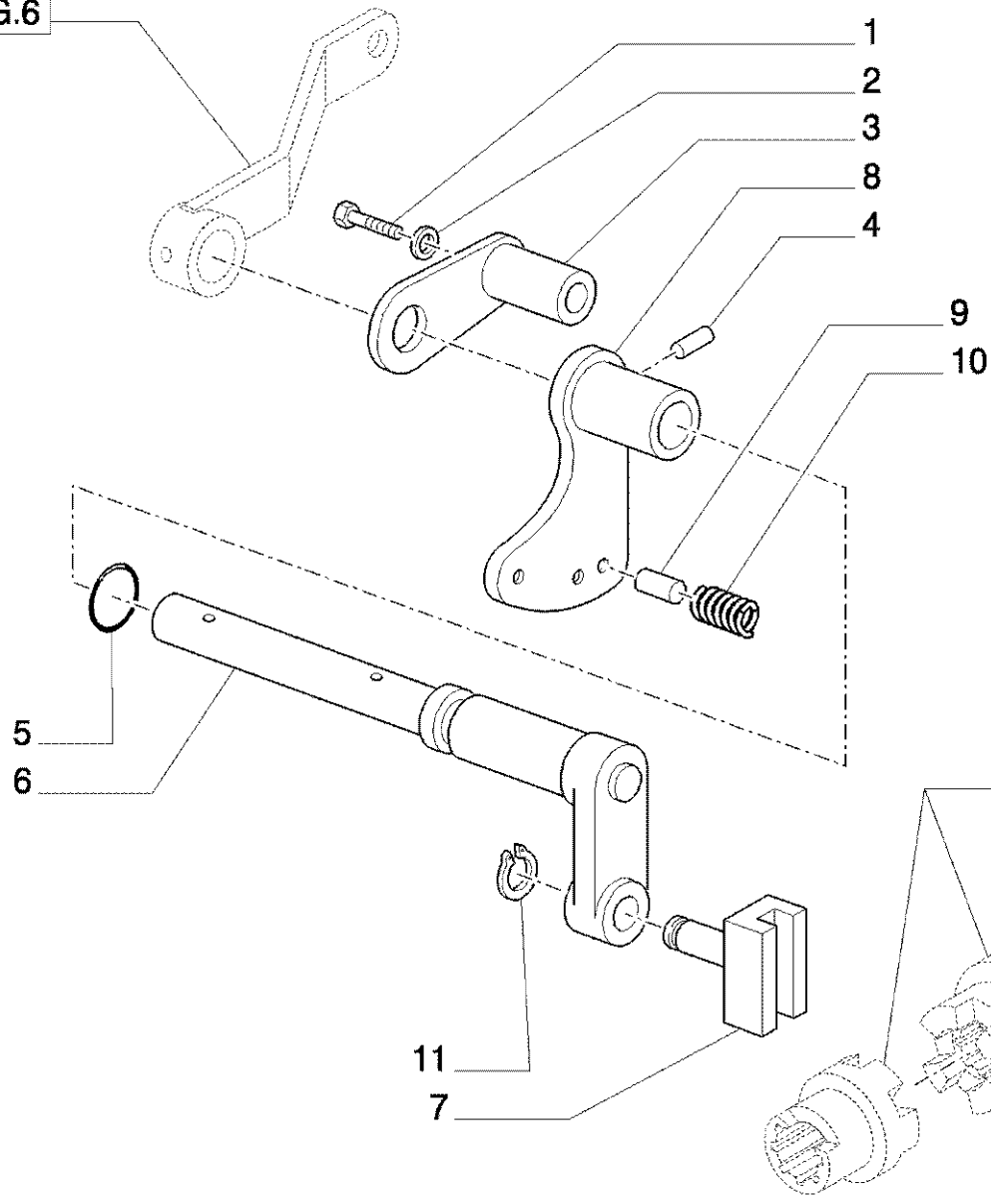
360 KOMPAKT TRACTOR (4/03-) - Hydraulisch Systeem

1.80.1/03(04) (VAR.817) GESYNCHRONISEERDE P.T.O. (540-540E-1000 RPM) - STAAF EN VORKS

Ref	Onderdeelnummer	Kwt	Beschrijving
1	5131161	1	HANDGREEP,
2	15919407	2	ZELFTAPPENDE SCHROEF, Cross Flat Hd, M6.3 x 16,
3	14601270	2	SLUITPEN, M5 x 28, Slotted,
4	5177567	1	HEFBOOM,
5	5177569	1	GETANDE SECTOR, TOOTHED
6	14457281	1	O-RING, -114, CI 7, .612" ID x .103" Thk, (M15.54 ID x 2.62 Thk)
7	5173470	1	PEN,
8	14604070	2	SLUITPEN, M6 x 28, Slotted,
9	5173455	1	STANG,
10	5180677	1	VORK,
11	10516879	2	SLUITRING,
12	18700721	2	BOUT, Hex, M10 x 1.25 x 20, 8.8, Full Thd,
13	5173457	1	MEENEEMSTUK, INCL.REF.15
14	5173447	1	VORK, INCL.REF.15
15	5154545	2	PEN,



PAG.6



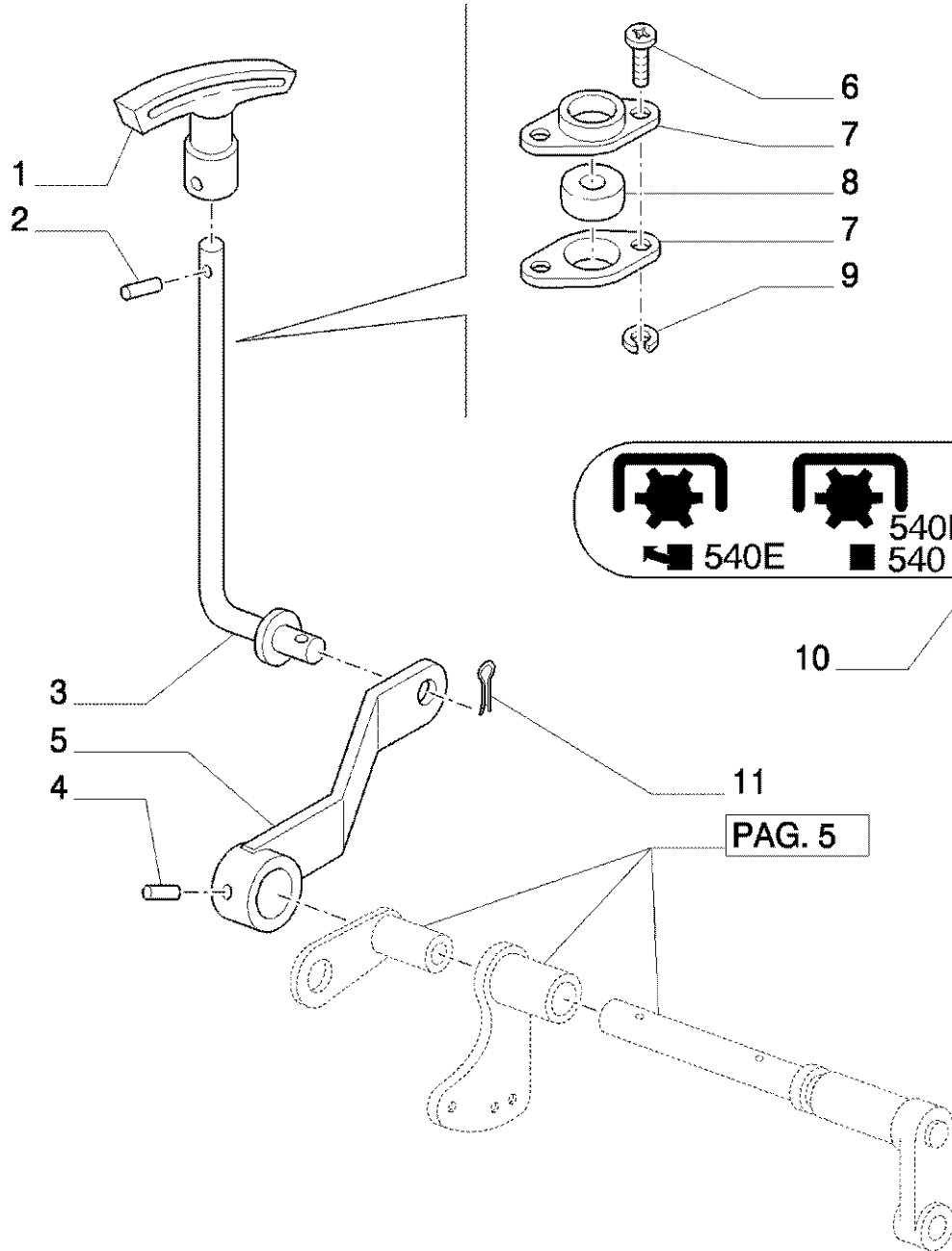
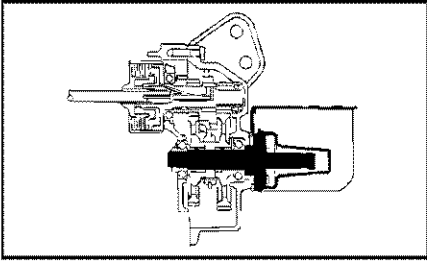
PAG.1



360 KOMPAKT TRACTOR (4/03-) - Hydraulisch Systeem

1.80.1/03(05) (VAR.817) GESYNCHRONISEERDE KRACHTAFNEMER (540-540E-1000 RPM) - INSCHAKELING

Ref	Onderdeelnummer	Kwt	Beschrijving
1	11343821	1	BOUT, Hex, M10 x 1.25 x 50, 8.8,
2	10516874	1	VEERRING, M10
3	5173205	1	STEUNBEUGEL,
4	14604070	1	SLUITPEN, M6 x 28, Slotted,
5	14457281	1	O-RING, -114, CI 7, .612" ID x .103" Thk, (M15.54 ID x 2.62 Thk)
6	5183817	1	HEFBOOM,
7	5174330	1	GLIJSCHOEN,
8	47129967	1	HEFBOOM,
9	5150839	1	PAWL,
10	5128251	1	VEER,
11	11065976	1	RING, SNAP, M10, Ext,



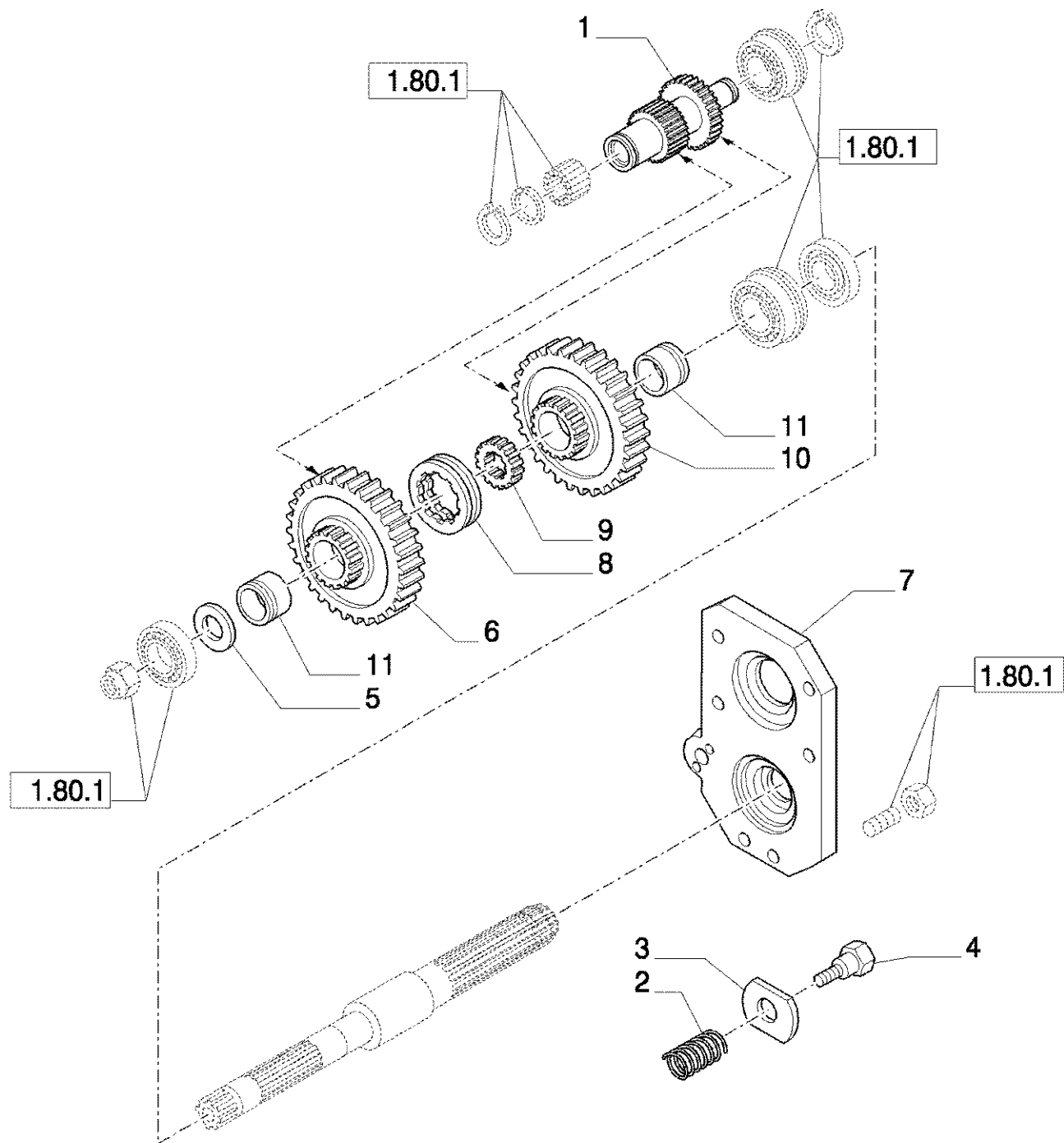
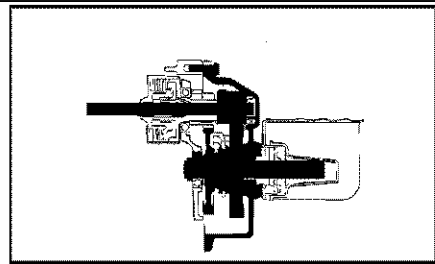
PAG. 5



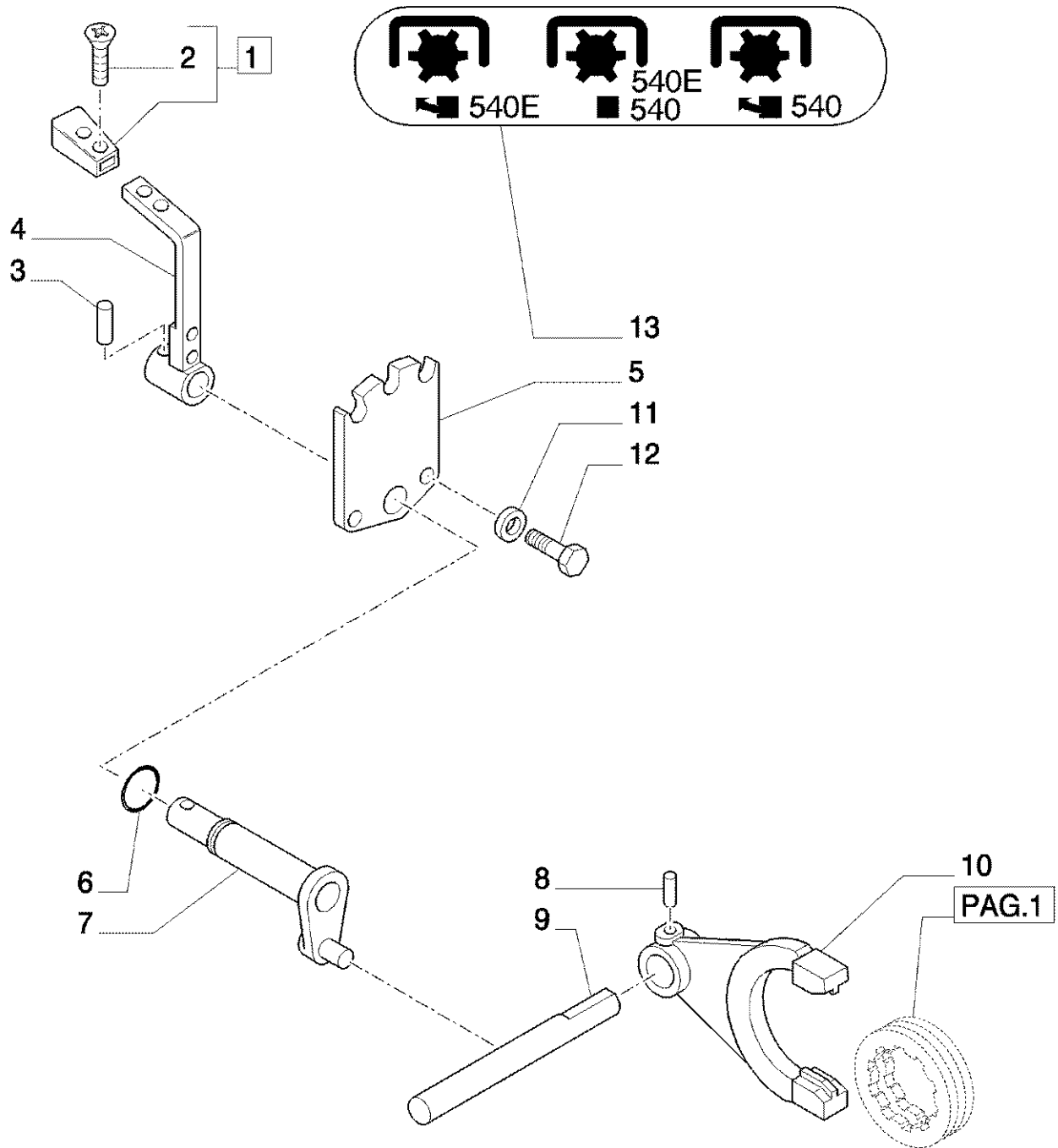
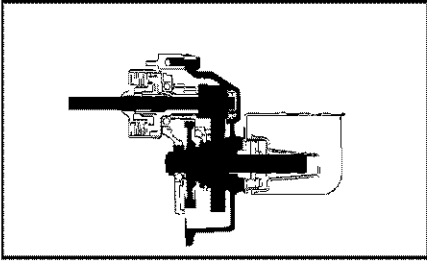
360 KOMPAKT TRACTOR (4/03-) - Hydraulisch Systeem

1.80.1/03(06) (VAR.817) GESYNCHRONISEERDE P.T.O. (540-540E-1000 RPM) - STAAF EN HANDGREP

Ref	Onderdeelnummer	Kwt	Beschrijving
1	5112148	1	HANDGREEP,
2	13904670	1	SPANSTIFT, M4 x 20, Coiled,
3	5174805	1	TREKSTANG,
4	13910570	1	SPANSTIFT, M6 x 36, Coiled,
5	5171130	1	HEFBOOM,
6	13276217	2	SCHROEF, Cross Pan Hd, M6 x 16,
7	5156494	2	FLENS,
8	5109058	1	LAGERBUS, D=10.5 x 25 x 16
9	11197774	2	WASHER, SPRING, Belleville, M6.4,
10	47129024	1	IDENTIFIKATIEPLAATJE,
11	10734301	1	SPLITPEN, M2 x 18,



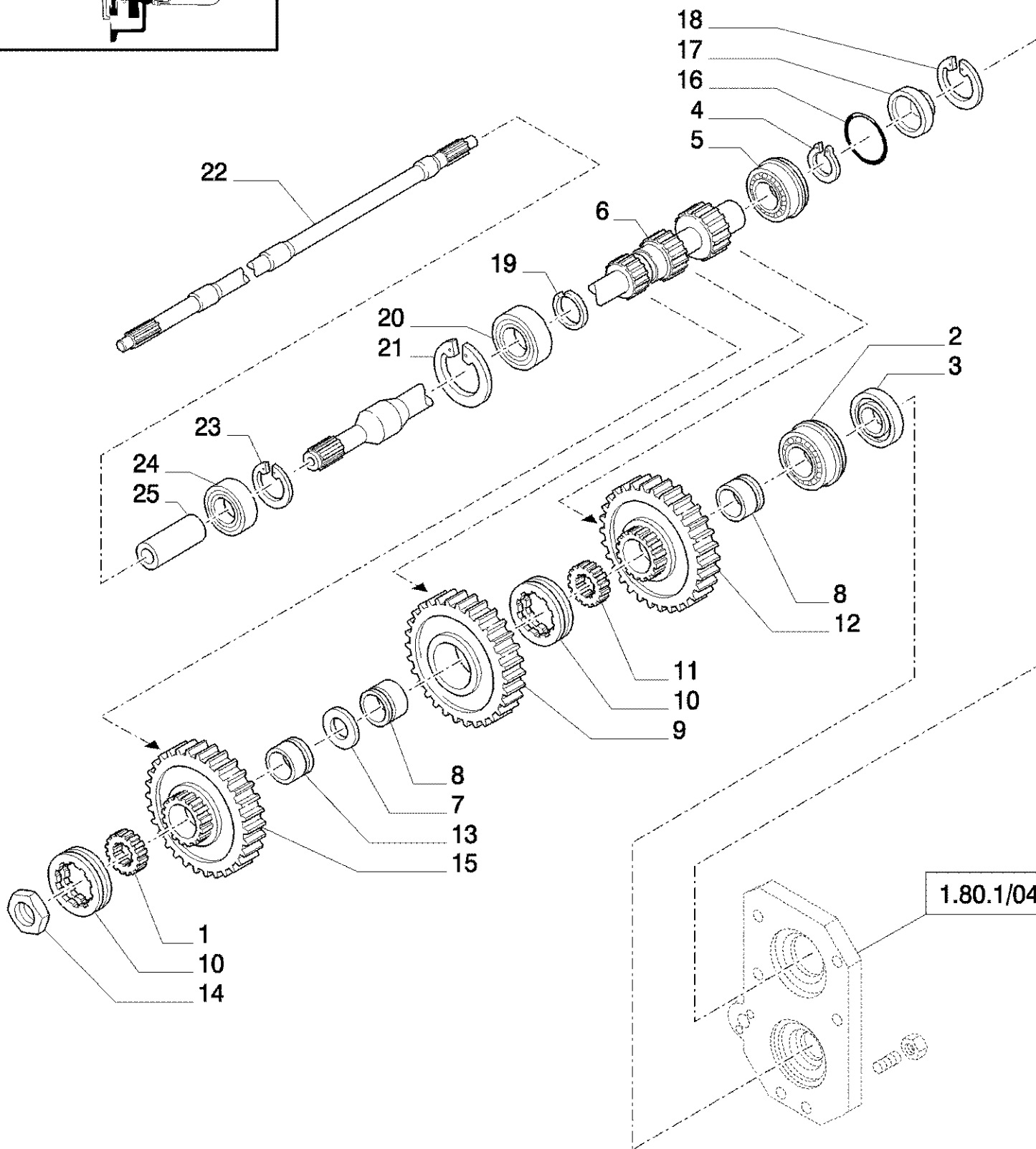
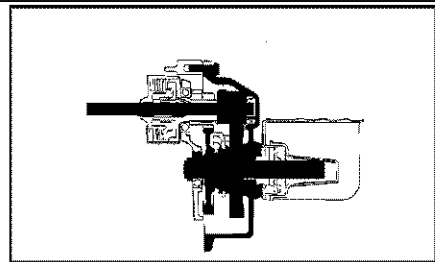
Ref	Onderdeelnummer	Kwt	Beschrijving
1	47125372	1	AS,
2	47132279	1	VEER,
3	47131175	1	REMSCHIJF,
4	47130774	1	PEN,
5	5168181	1	SLUITRING DRUKPLAAT,
6	47123681	1	TANDWIEL, 540 RPM
7	47133661	1	DEKSEL,
8	5130551	1	SLEEVE,
9	5130550	1	SLEEVE,
10	5168208	1	AANGEDREVEN TANDWIEL, 750RPM
11	5124668	2	RING,



360 KOMPAKT TRACTOR (4/03-) - Hydraulisch Systeem

1.80.1/04(02) (VAR.818) GESYNCHRONISEERDE P.T.O. (540-540E RPM) - STAAF, GAFFEL EN KENTEKENPLATEN

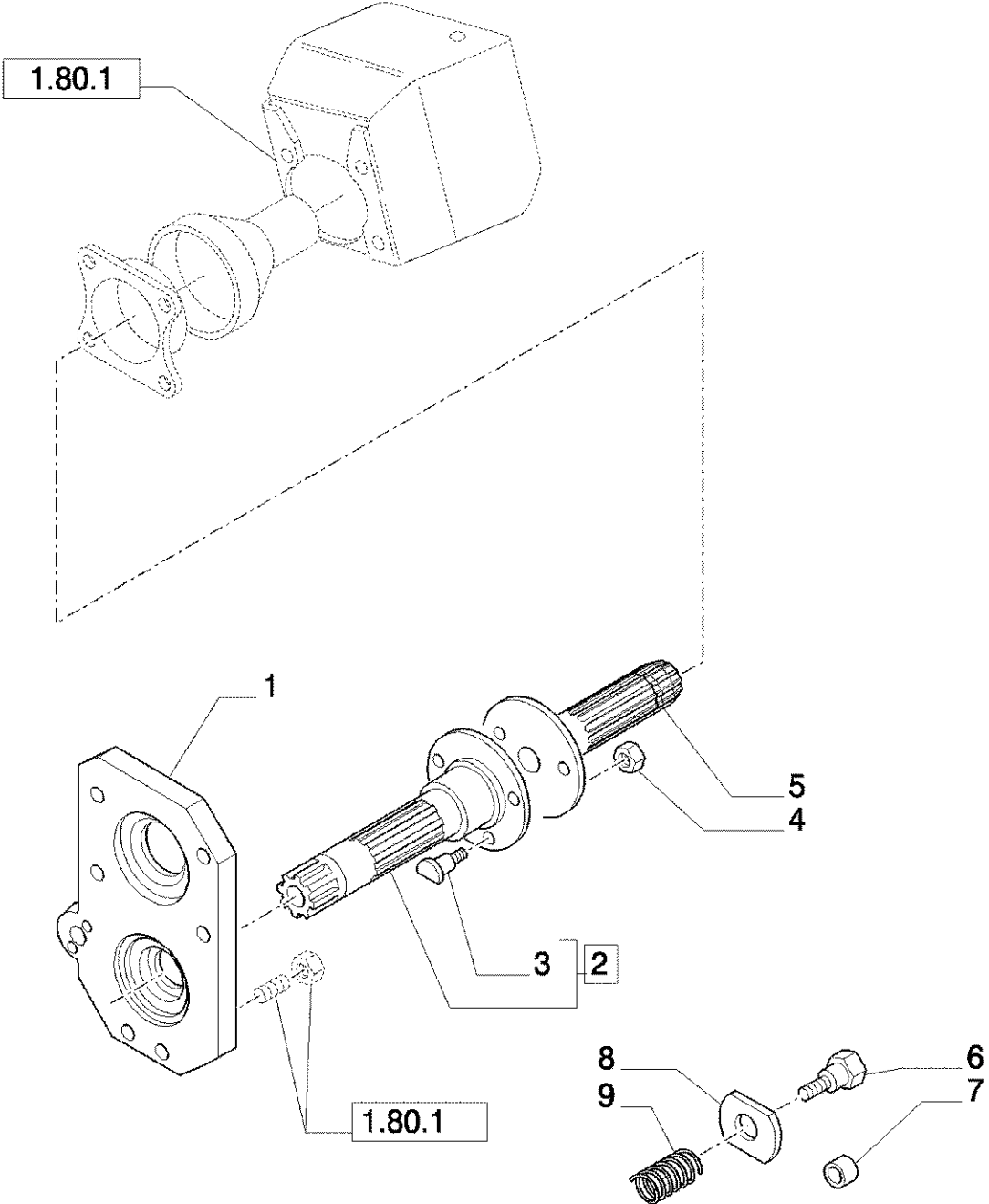
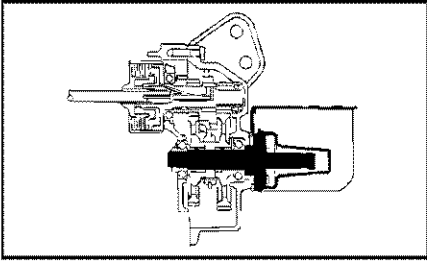
Ref	Onderdeelnummer	Kwt	Beschrijving
1	5131161	1	HANDGREEP,
2	15919407	2	ZELFTAPPENDE SCHROEF, Cross Flat Hd, M6.3 x 16,
3	14601270	2	SLUITPEN, M5 x 28, Slotted,
4	5177567	1	HEFBOOM,
5	5177569	1	GETANDE SECTOR, TOOTHED
6	14457281	1	O-RING, -114, CI 7, .612" ID x .103" Thk, (M15.54 ID x 2.62 Thk)
7	5173465	1	HEFBOOM,
8	14604070	1	SLUITPEN, M6 x 28, Slotted,
9	5176335	1	STANG,
10	5173448	1	VORK,
11	10516879	2	SLUITRING,
12	18700721	2	BOUT, Hex, M10 x 1.25 x 20, 8.8, Full Thd,
13	47129025	1	IDENTIFIKATIEPLAATJE,



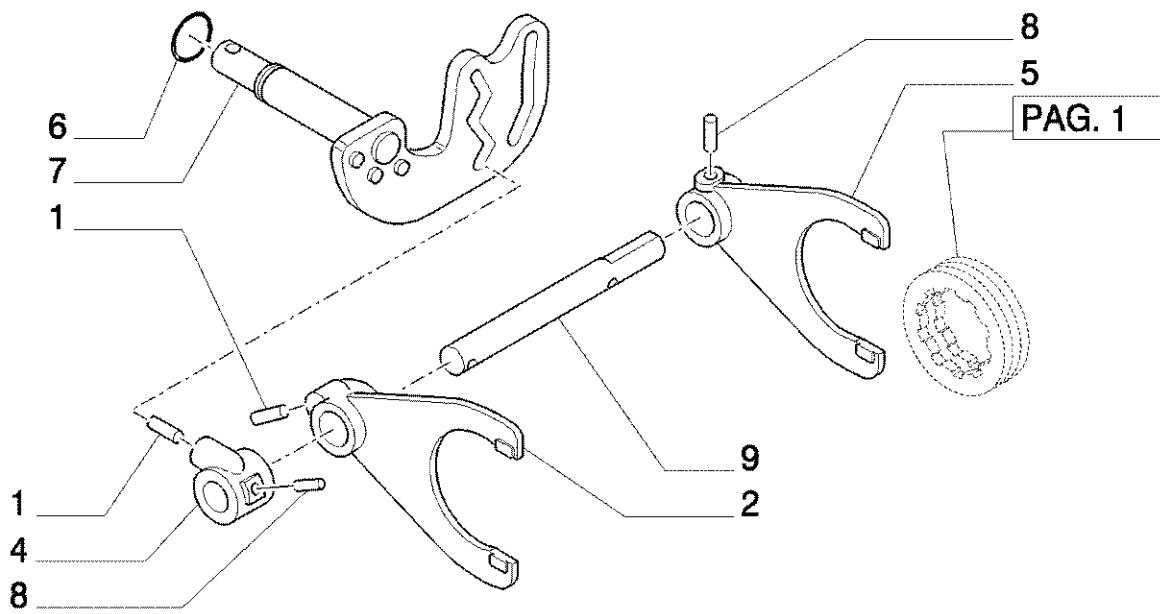
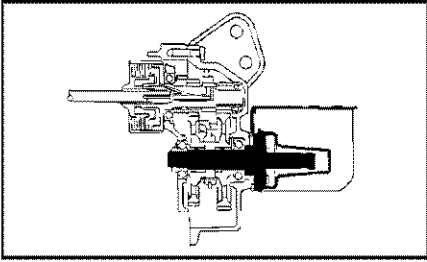
1.80.1/04



Ref	Onderdeelnummer	Kwt	Beschrijving
1	5173196	1	SLEEVE,
2	5168238	1	ROLLENKOOI, 40x90x23
3	5124606	1	DICHTINGSSTUK, 50x65x8
4	11068876	1	RING, SNAP, M40, Ext,
5	5168238	2	ROLLENKOOI, 40x90x23
6	5198839	1	AS,
7	5168181	1	SLUITRING DRUKPLAAT,
8	5124668	2	RING,
9	5198843	1	TANDWIEL,
10	5130551	1	SLEEVE,
11	5130550	1	SLEEVE,
12	5168208	1	AANGEDREVEN TANDWIEL, 750RPM
13	5173189	1	RING,
14	5100183	1	MOER, M28
15	5198844	1	TANDWIEL,
16	14466080	1	O-RING, -242, 70 Duro, 3.984" ID x .139" Thk,
17	47133662	1	DEKSEL,
18	80370026	1	BORGVEER,
19	47128558	1	AFSTANDSRING, 43x58x22
20	5198841	1	LAGERBUS,
21	5198842	1	RING,
22	5177718	1	AS,
23	5173213	1	SLUITRING,
24	47128681	1	LAGERBUS,
25	47131639	1	SLEEVE,



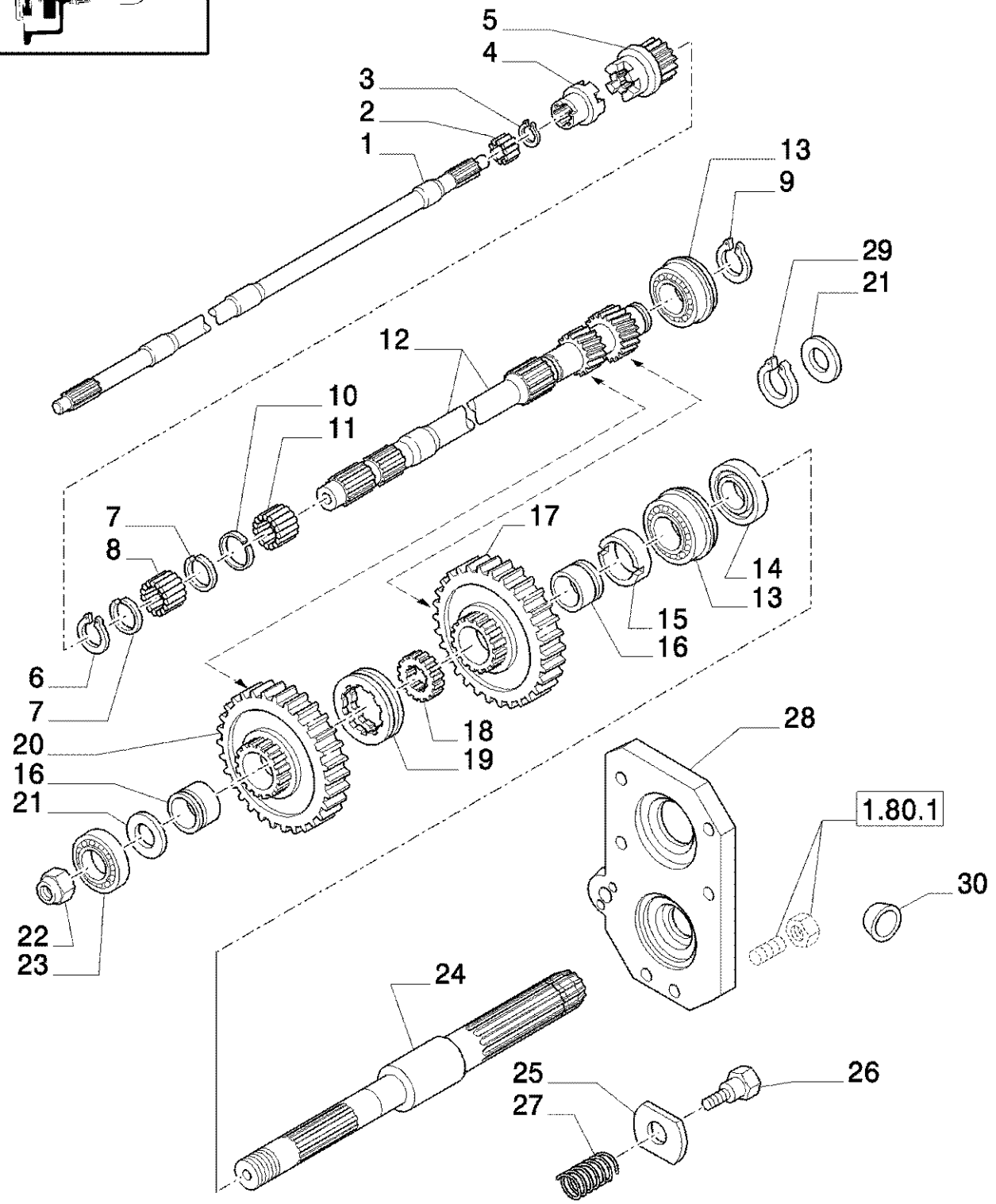
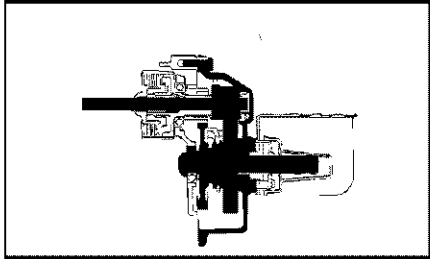
Ref	Onderdeelnummer	Kwt	Beschrijving
1	5187934	1	DEKSEL,
2	5173191	1	AS,
3	44012300	3	SCHROEF, M12x37
4	16105025	3	NUT, LOCK, M12 x 1.25, CI 10,
5	5185601	1	AS, 1000RPM, 21TEETH
5	5185602	1	AS, 540RPM, 6TEETH
6	47130774	1	PEN,
7	5180607	1	AFSTANDSRING,
8	47132279	1	VEER,
9	47131175	1	REMSCHIJF,



360 KOMPAKT TRACTOR (4/03-) - Hydraulisch Systeem

1.80.1/05(03) (VAR.830) GESYNCHRONISEERDE KRACHTAFNEMER (430-540-540E RPM) - ASSEN EN DEKSEL

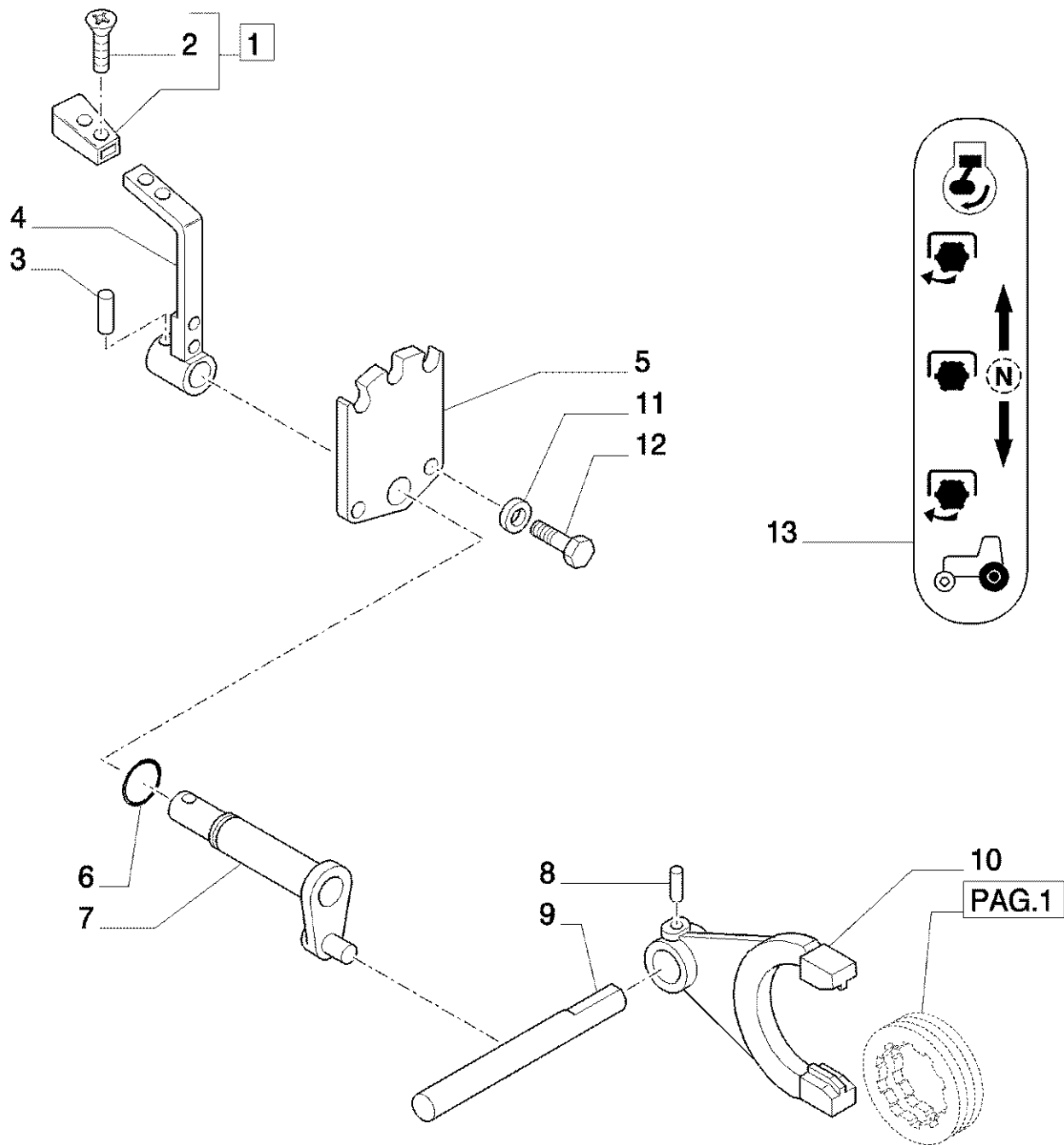
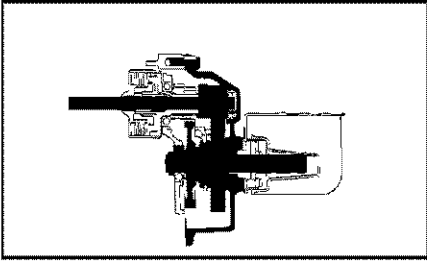
Ref	Onderdeelnummer	Kwt	Beschrijving
1	5154545	2	PEN,
2	5198845	1	VORK,
3	14601270	2	SLUITPEN, M5 x 28, Slotted,
4	5198846	1	MEENEEMSTUK,
5	5180677	1	VORK,
6	14457281	1	O-RING, -114, CI 7, .612" ID x .103" Thk, (M15.54 ID x 2.62 Thk)
7	5198847	1	PEN,
8	14604070	2	SLUITPEN, M6 x 28, Slotted,
9	5173455	1	STANG,



360 KOMPAKT TRACTOR (4/03-) - Hydraulisch Systeem

1.80.1/06(01) (VAR.020) AFTAKAS 540/540E TPM MET RIJSNELHEID, ADICWERKEN

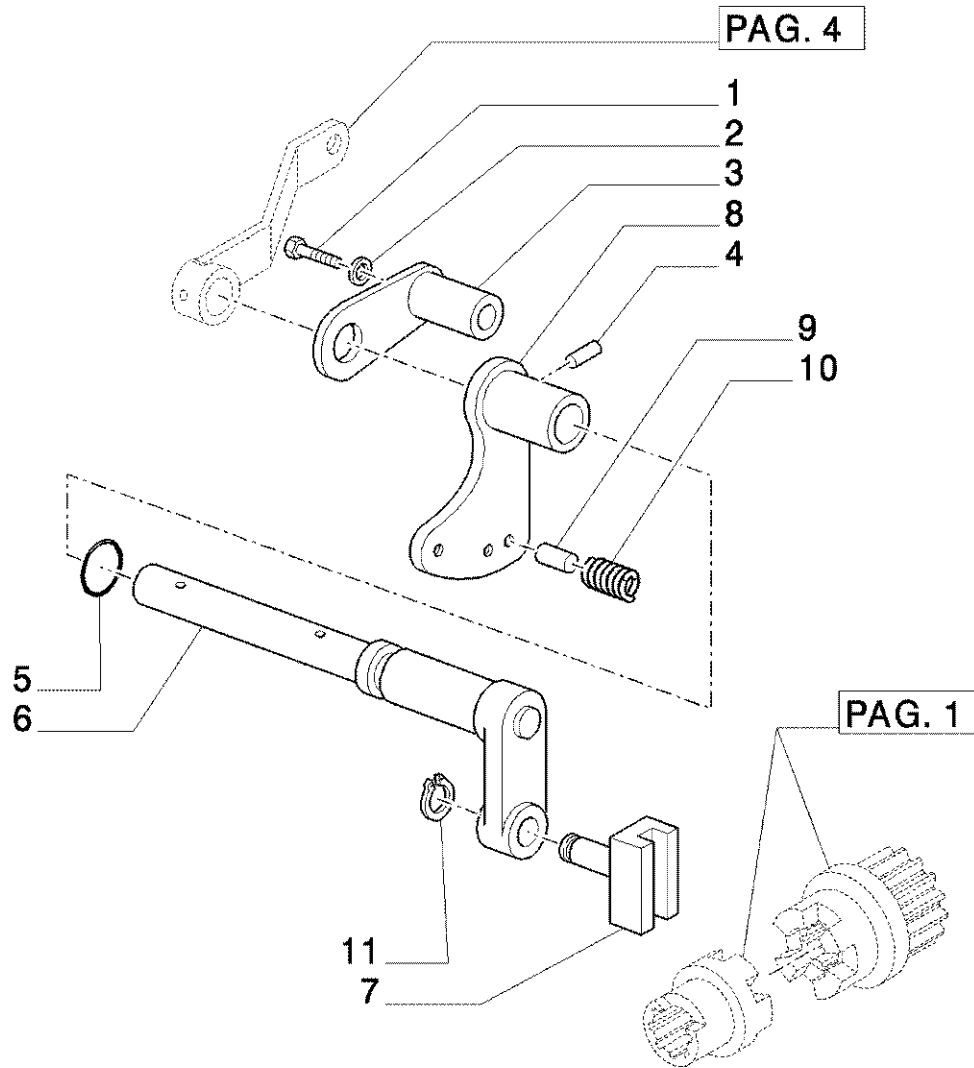
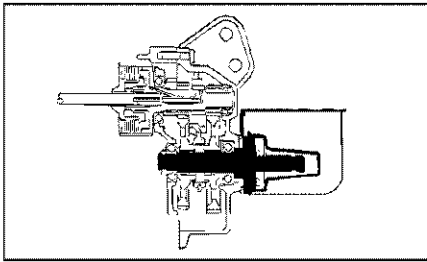
Ref	Onderdeelnummer	Kwt	Beschrijving
1	5177718	1	AS,
2	5103238	1	ROLLENKOOI, 15x21x16
3	11067276	1	RING, SNAP, M24, Ext,
4	5172083	1	SLEEVE,
5	5183818	1	SLEEVE,
6	13398776	1	RING, SNAP, M35, Int,
7	5173213	2	SLUITRING,
8	5173212	1	ROLLENKOOI, 37x52x22
9	11068876	1	RING, SNAP, M40, Ext,
10	5142178	1	SLUITRING,
11	5173210	1	ROLLENKOOI, 43x58x22
12	47123684	1	AS, 540-750 RPM
13	5168238	2	ROLLENKOOI, 40x90x23
14	5124606	1	DICTINGSSTUK, 50x65x8
15	5124675	1	SLUITRING DRUKPLAAT,
16	5124668	2	RING,
17	5168208	1	AANGEDREVEN TANDWIEL, 750 RPM
18	5130550	1	SLEEVE,
19	5130551	1	SLEEVE,
20	47123681	1	TANDWIEL, 540 RPM
21	5168181	2	SLUITRING DRUKPLAAT,
22	5122985	1	MOER, M32
23	20045200	1	LAGER, KOGEL, 35x80x21
24	5173440	1	AS,
25	47131175	1	REMSCHIJF,
26	47130774	1	PEN,
27	47132279	1	VEER,
28	47133661	1	DEKSEL,
29	11068976	2	RING, SNAP, M42, Ext,
30	14328701	2	PLUG, M20, Tapered,



360 KOMPAKT TRACTOR (4/03-) - Hydraulisch Systeem

1.80.1/06(02) (VAR.020) AFTAKAS 540/540E TPM MET RIJSNELHEID, ADIC

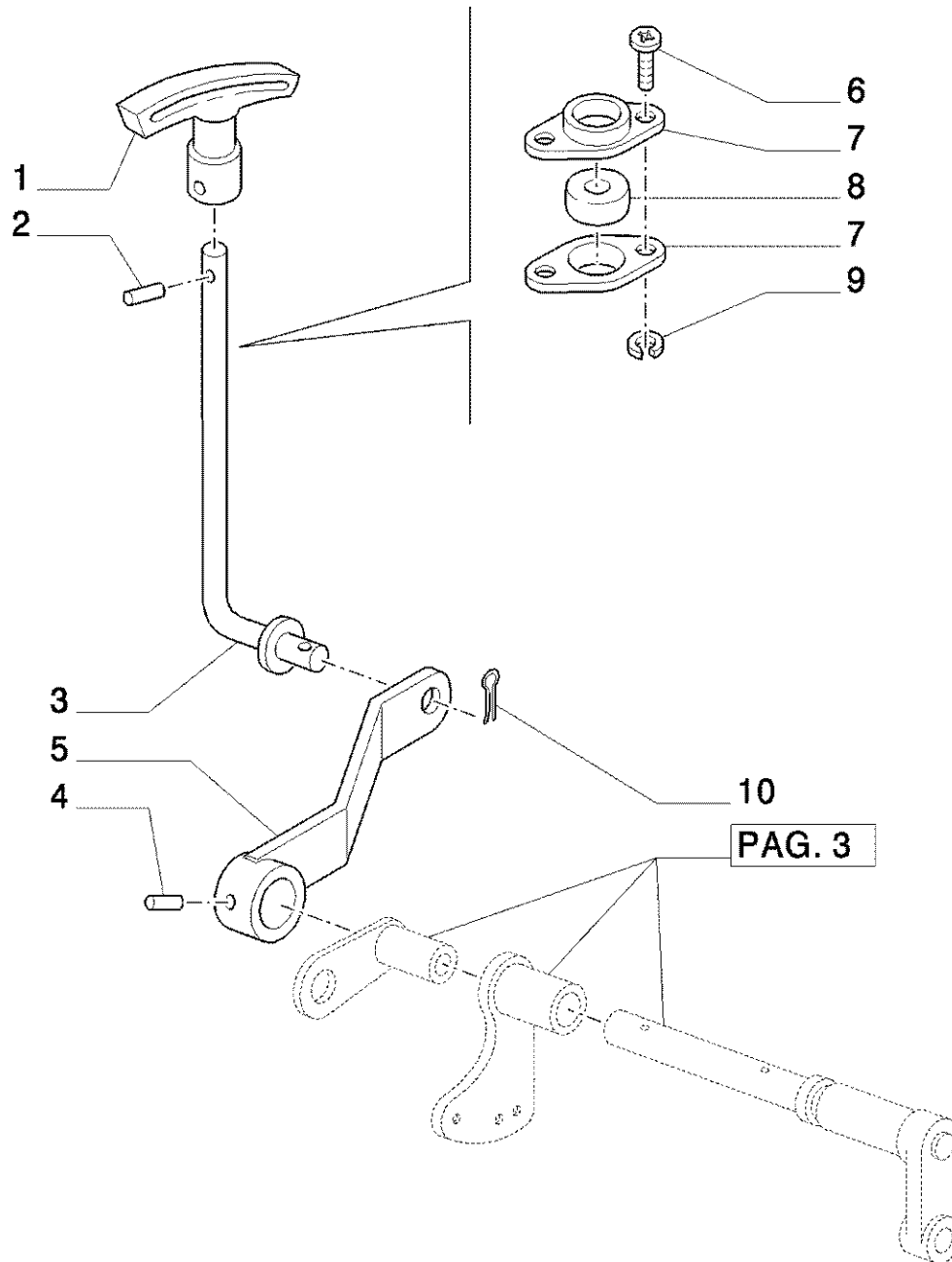
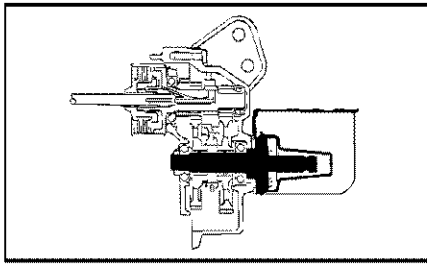
Ref	Onderdeelnummer	Kwt	Beschrijving
1	5131161	1	HANDGREEP,
2	15919407	2	ZELFTAPPENDE SCHROEF, Cross Flat Hd, M6.3 x 16,
3	14601270	1	SLUITPEN, M5 x 28, Slotted,
4	5177567	1	HEFBOOM,
5	5177569	1	GETANDE SECTOR,
6	14457280	1	O-RING, -114, 70 Duro, .612" ID x .103" Thk,
7	5173465	1	HEFBOOM,
8	14604070	1	SLUITPEN, M6 x 28, Slotted,
9	5176335	1	STANG,
10	5173448	1	VORK,
11	10516871	2	SLUITRING, D=10
12	15970524	2	BOUT, Hex, M10 x 1.25 x 20, 8.8, Full Thd,
13	47136114	1	IDENTIFIKATIEPLAATJE, PTO Indicator



360 KOMPAKT TRACTOR (4/03-) - Hydraulisch Systeem

1.80.1/06(03) (VAR.020) AFTAKAS 540/540E TPM MET RIJSNELHEID, ADIC

Ref	Onderdeelnummer	Kwt	Beschrijving
1	11343824	1	BOUT, Hex, M10 x 1.25 x 50, 8.8,
2	10571870	1	VEERRING,
3	5173205	1	STEUNBEUGEL,
4	14604070	1	SLUITPEN, M6 x 28, Slotted,
5	14457281	1	O-RING, -114, CI 7, .612" ID x .103" Thk,
6	5183817	1	HEFBOOM,
7	5174330	1	GLIJSCHOEN,
8	47129967	1	HEFBOOM,
9	5150839	1	PAWL,
10	5128251	1	VEER,
11	11065976	1	RING, SNAP, M10, Ext,



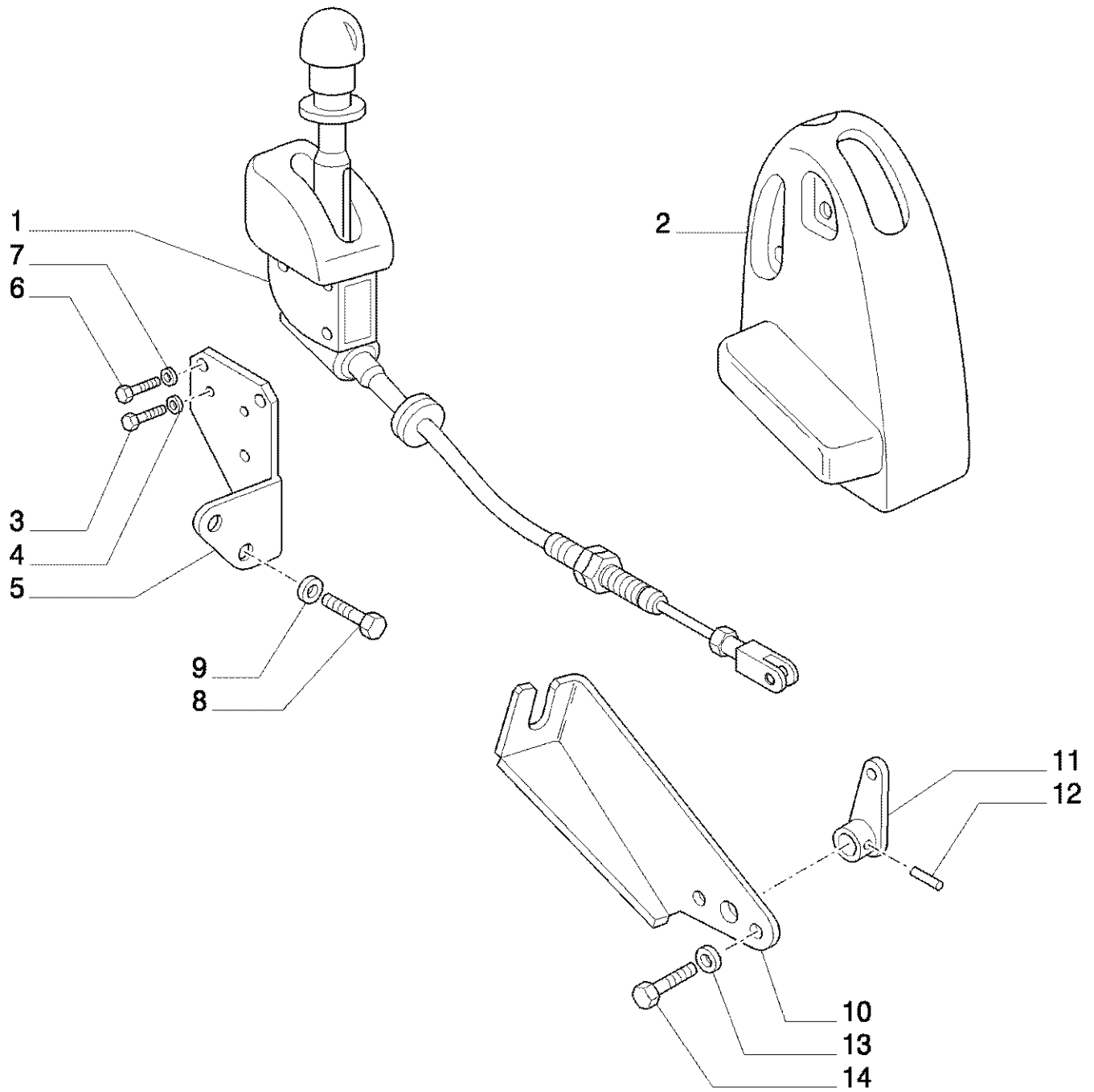
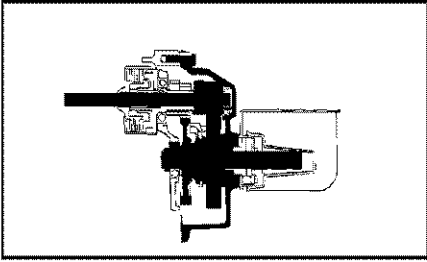
PAG. 3



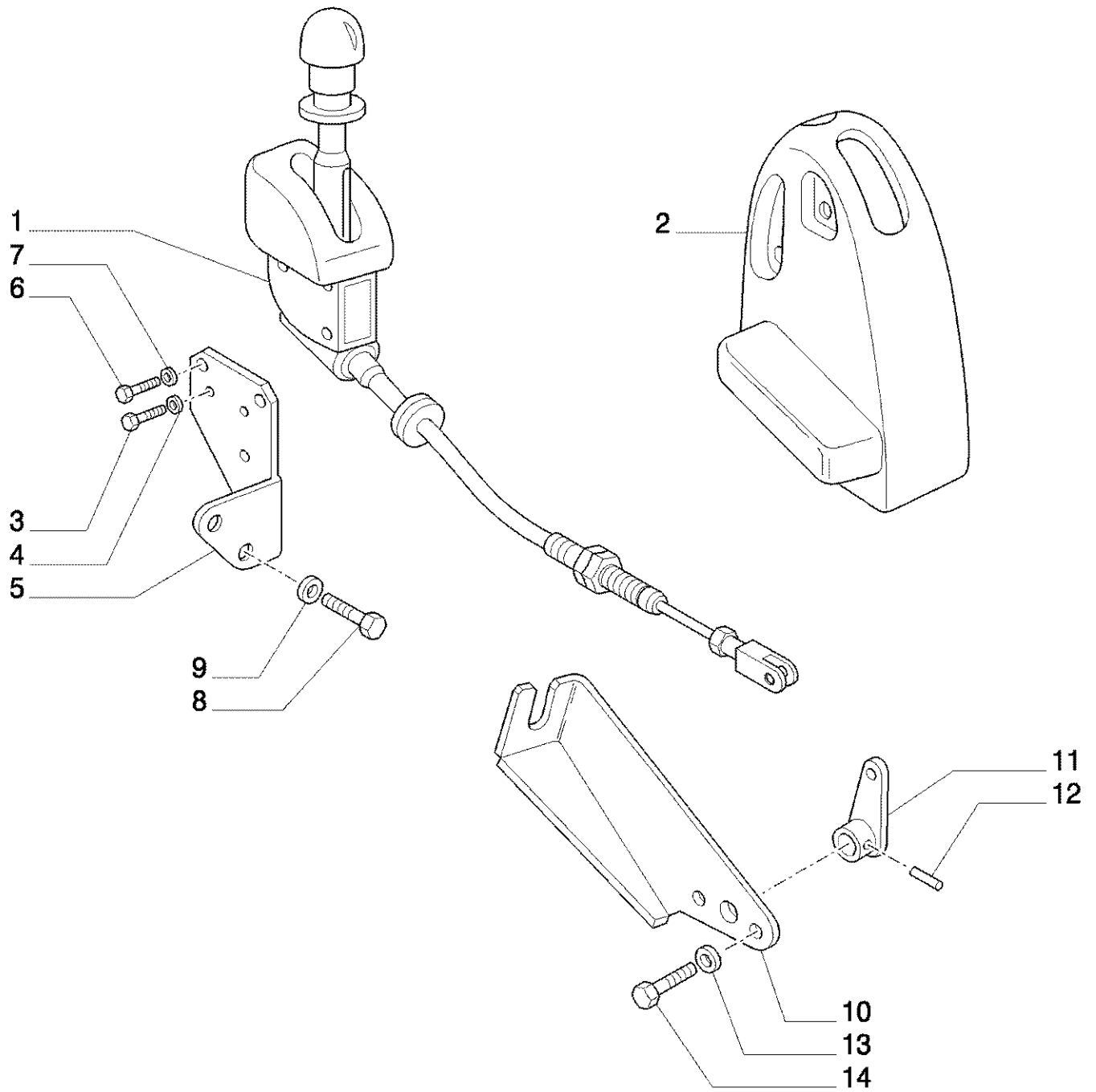
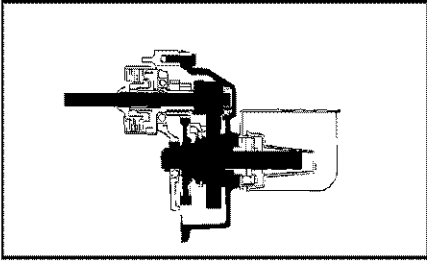
360 KOMPAKT TRACTOR (4/03-) - Hydraulisch Systeem

1.80.1/06(04) (VAR.020) AFTAKAS 540/540E TPM MET RIJSNELHEID, ADIC

Ref	Onderdeelnummer	Kwt	Beschrijving
1	5112148	1	HANDGREEP,
2	13904670	1	SPANSTIFT, M4 x 20, Coiled,
3	5174805	1	TREKSTANG,
4	13910770	1	SPANSTIFT, M6 x 45, Coiled,
5	5171130	1	HEFBOOM,
6	13276214	2	SCHROEF, Cross Pan Hd, M6 x 16, 5.8,
7	5156494	2	FLENS,
8	5109058	1	LAGERBUS, D=10.5 x 25 x 16
9	11197774	2	WASHER, SPRING, Belleville, M6.4,
10	10734301	1	SPLITPEN, M2 x 18,



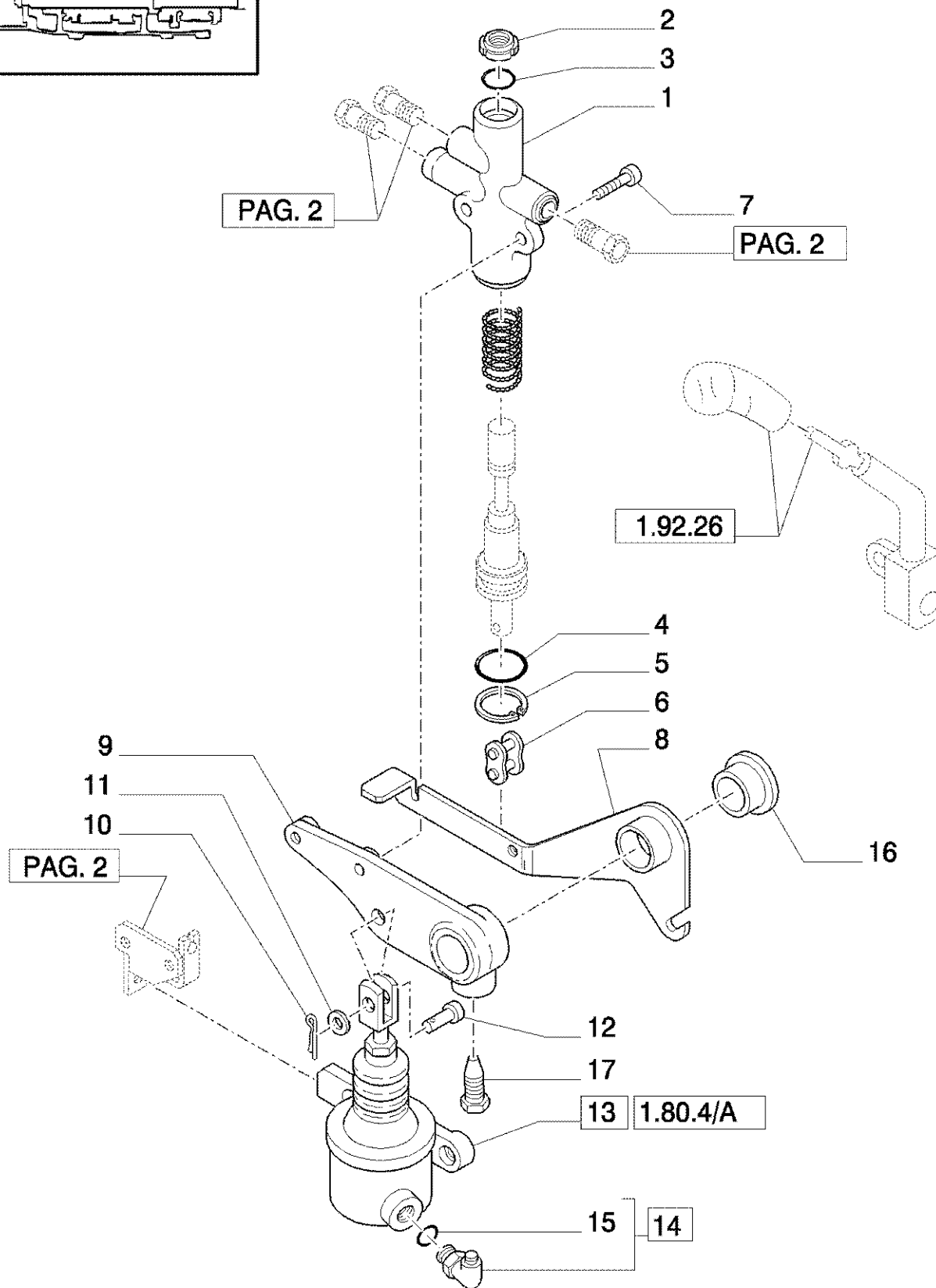
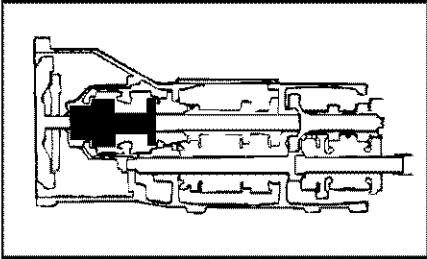
Ref	Onderdeelnummer	Kwt	Beschrijving
1	47126565	1	ACTUATOR,
2	47128451	1	AFSCHERMING,
3	14304824	3	SCHROEF, Hex Soc Hd, M6 x 55, 8.8,
4	12601274	3	SLUITRING, Wave, M6.4,
5	47135905	1	STEUN,
6	14064514	2	SCHROEF, Cheese Hd, M6 x 12,
7	11194674	2	WASHER, SPRING, Belleville, M6.4, D=6
8	16043474	2	BOUT, Hex, M8 x 20, Full Thd,
9	12602474	2	SLUITRING, Wave, M8.3,
10	47128056	1	STEUN,
11	47126574	1	SLEEVE,
12	14601270	1	SLUITPEN, M5 x 28, Slotted,
13	11190574	2	WASHER, SPRING, Belleville, M10.5,
14	18700924	2	SCHROEF, M10x25



360 KOMPAKT TRACTOR (4/03-) - Hydraulisch Systeem

1.80.2/01 (VAR.830) TWO-THREE SPEED PTO SELECTION LEVER - CONTROL LEVER

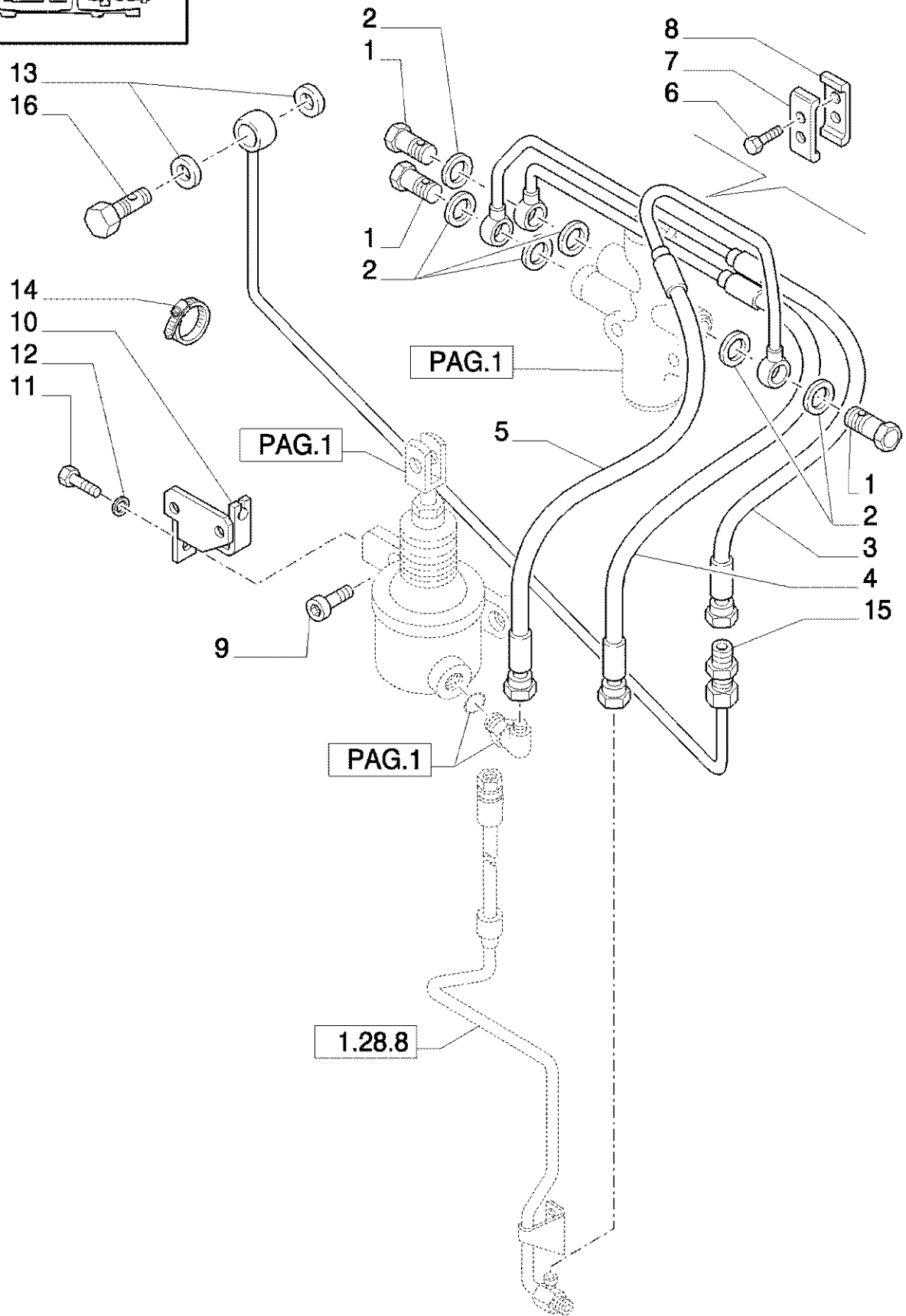
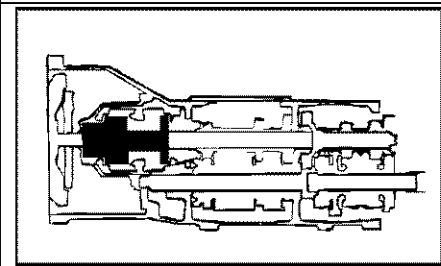
Ref	Onderdeelnummer	Kwt	Beschrijving
1	47126565	1	ACTUATOR,
2	47128451	1	AFSCHERMING,
3	14304824	3	SCHROEF, Hex Soc Hd, M6 x 55, 8.8,
4	12601274	3	SLUITRING, Wave, M6.4,
5	47135905	1	STEUN,
6	14064514	2	SCHROEF, Cheese Hd, M6 x 12,
7	11194674	2	WASHER, SPRING, Belleville, M6.4, D=6
8	16043474	2	BOUT, Hex, M8 x 20, Full Thd,
9	12602474	2	SLUITRING, Wave, M8.3,
10	47128056	1	STEUN,
11	47126574	1	SLEEVE,
12	14601270	1	SLUITPEN, M5 x 28, Slotted,
13	11190574	2	WASHER, SPRING, Belleville, M10.5,
14	15970724	2	BOUT, Hex, M10 x 1.25 x 25, 8.8, Full Thd,



360 KOMPAKT TRACTOR (4/03-) - Hydraulisch Systeem

1.80.4(01) KOPPELING TRANSMISSIE KRACHTAFNAME, SERVOBESTURING

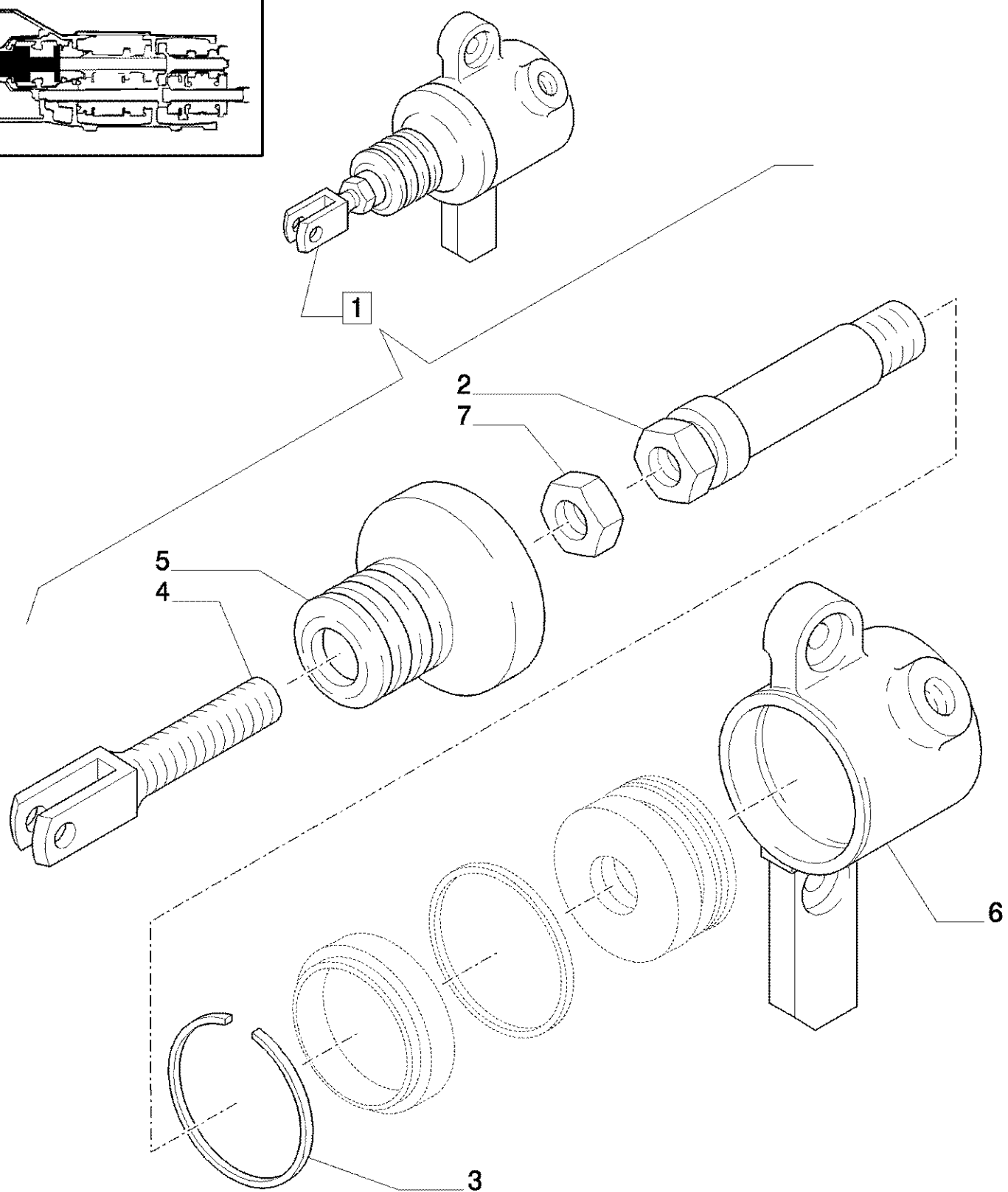
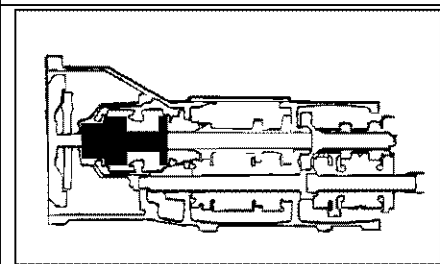
Ref	Onderdeelnummer	Kwt	Beschrijving
1	5185025	1	KLEP, HYDRAULISCH, ASSY, INCL.REF. 2,3,4,5
2	5114359	1	RING,
3	5192732	1	RING, RUBBER,
5	11057876	1	RING, SNAP, M20, Int,
6	5185788	1	KETTINGSCHAKEL,
7	14305221	2	SCHROEF, Hex Soc Hd, M6 x 16, 8.8,
8	5185806	1	HEFBOOM,
9	5183637	1	HEFBOOM,
10	10734201	1	SPLITPEN, M2 x 12,
11	13550304	1	SLUITRING, M8
12	10050811	1	PEN, D=8
13	5185842	1	ACTUATOR, ASSY
14	5166932	1	ELLEBOOG,
16	5185794	1	LAGERBUS,
17	4968813	1	SCHROEF, M16x1.5x32
15	14437685	1	O-RING, 9.3MM ID x 2.4 Thk,
4	5146468	1	O-RING, -113, CI 9, .549" ID x .103" Thk, 13.94x2.62



360 KOMPAKT TRACTOR (4/03-) - Hydraulisch Systeem

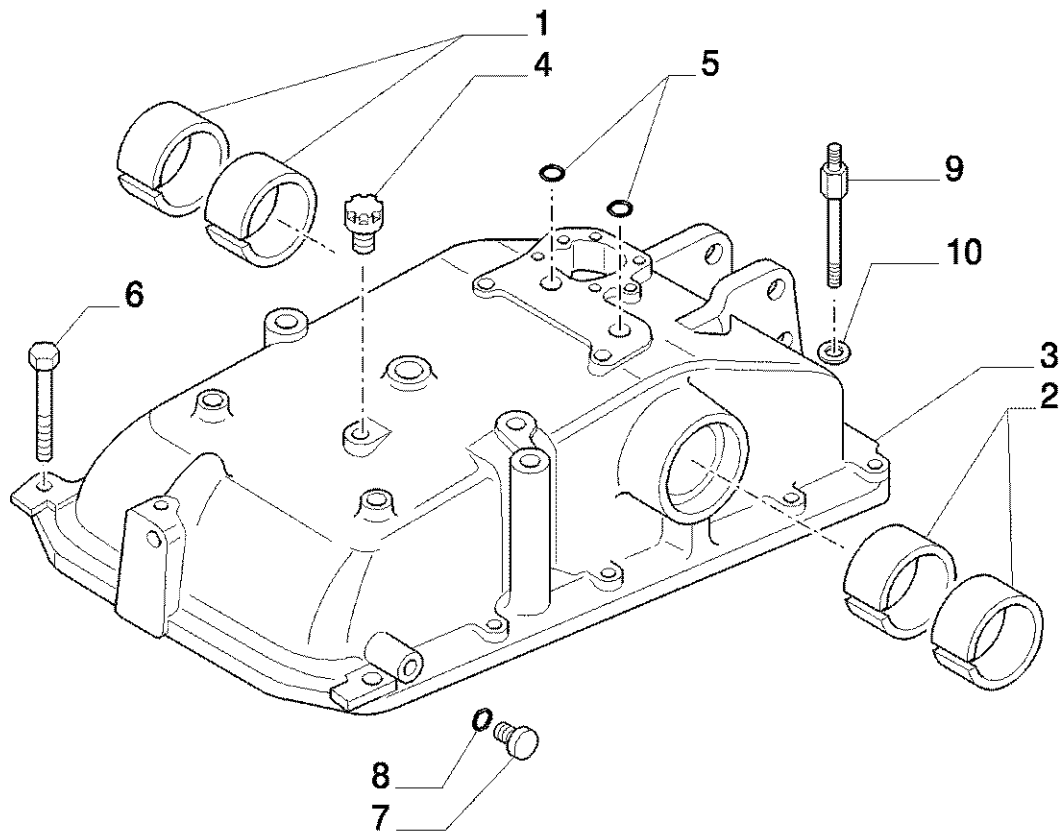
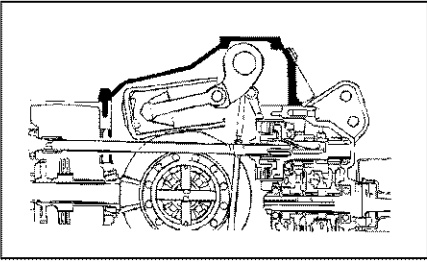
1.80.4(02) KOPPELING TRANSMISSIE KRACHTAFNAME, SERVOBESTURING

Ref	Onderdeelnummer	Kwt	Beschrijving
1	10185011	3	VERBINDINGSBOUT, M12 x 1.25 x 23,
2	5183780	6	DICHTRING,
3	5183775	1	FLEXIBELE SLANG, DISCHARGE
4	5183772	1	FLEXIBELE SLANG, INLET
4	47130390	1	FLEXIBELE SLANG, 370,375, VAR.404-405-843-838-839
5	5183774	1	FLEXIBELE SLANG, CYLINDER
6	10977821	2	BOUT, Hex, M5 x 16, 8.8, Full Thd, M5x15
7	5184304	1	STEUNBEUGEL,
8	5184084	1	STOPBEUGEL, M5
9	14331121	2	SCHROEF, Hex Soc Hd, M12 x 1.25 x 30, 8.8,
10	5185746	1	STEUNBEUGEL,
11	16043224	1	BOUT, Hex, M8 x 16, 8.8, Full Thd,
12	11067276	1	RING, SNAP, M24, Ext,
13	10261160	2	WASHER, COPPER, M14.2 x 18 x 1.5, Copper,
14	13000990	1	SLANGKLEM,
15	5193145	1	VASTE BUIS, DISCHARGE
16	4864083	1	VERBINDINGSBOUT,



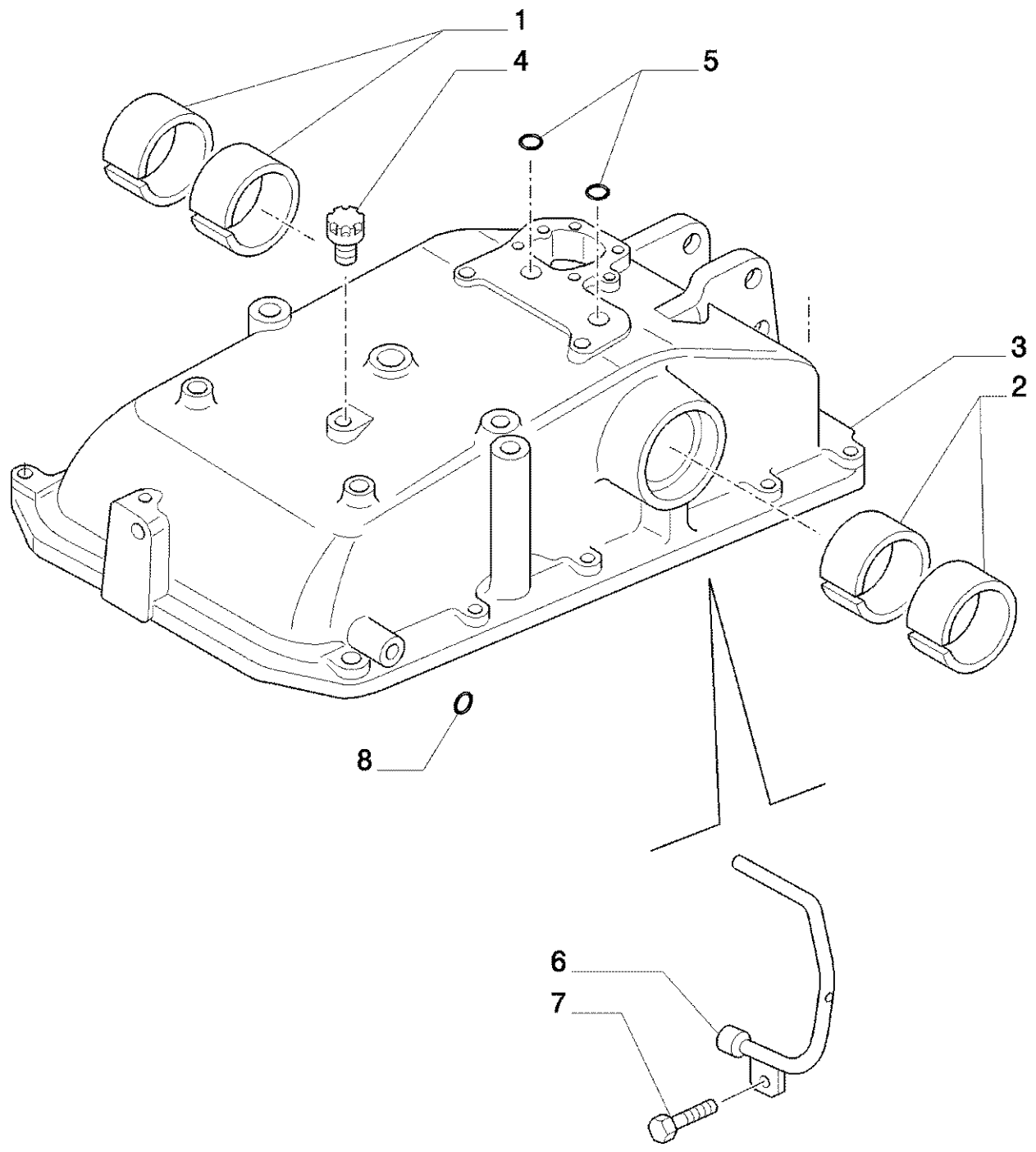
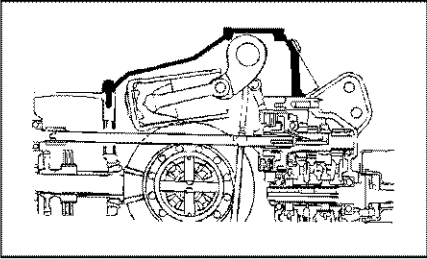
Ref	Onderdeelnummer	Kwt	Beschrijving
1	5185842	1	ACTUATOR,
2	5183661	1	SCHROEFSTANG,
3	5183662	1	BORGVEER,
4	5183675	1	GAFFEL,
5	5183723	1	BLAASBALG,
6	5185786	1	CYLINDER,
7	10791024	1	MOER, Thin, M10 x 1.25, CI 05, M10

1.82.0 KASTEN EN DEKSELS ELEVADOR



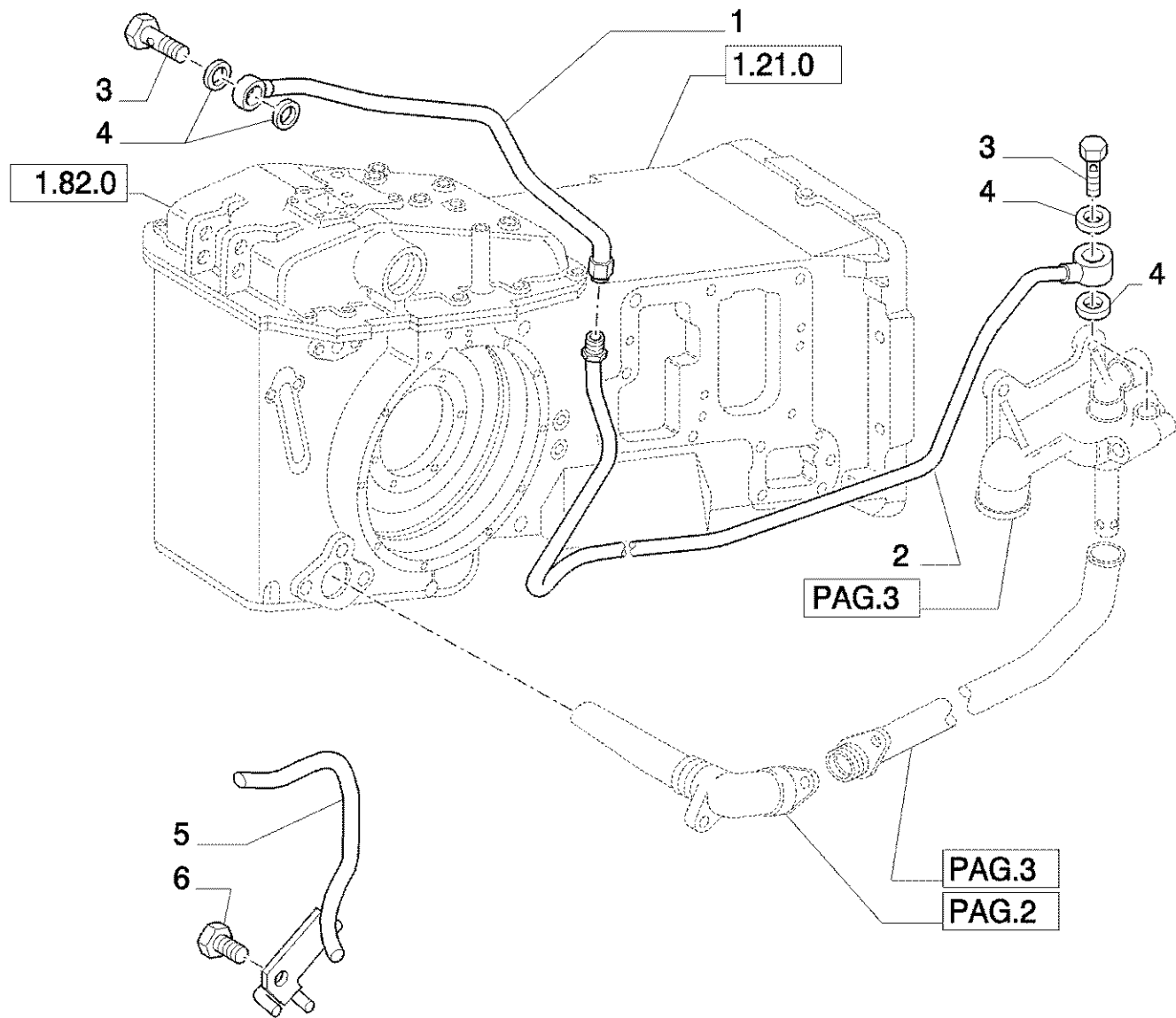
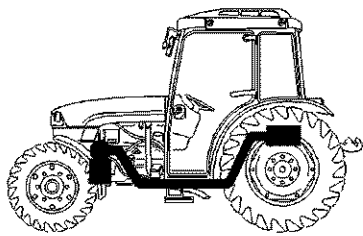
1.82.0 KASTEN EN DEKSELS ELEVADOR

Ref	Onderdeelnummer	Kwt	Beschrijving
1	5181871	2	LAGERBUS, RH
2	5181870	2	LAGERBUS, LH
3	5182099	1	LICHAAM, INCL.REF. 1,2, BSN HJR063252
3	87346203	1	LICHAAM, INCL.REF. 1,2, ASN HJR063253
4	89636958	1	ONTLUCHTER,
5	14457581	2	O-RING, -117, CI 7, .799" ID x .103" Thk, D=18
6	15540724	10	BOUT, Hex, M12 x 1.25 x 45, 8.8,
6	15541524	1	BOUT, Hex, M12 x 1.25 x 90, 8.8,
6	15541624	1	BOUT, Hex, M12 x 1.25 x 100, 8.8,
7	10273140	1	PLUG, M18
8	10259960	1	DICHTRING, M18.3 x 24 x 1.5,
9	15542521	1	BOUT, Hex, M12 x 1.25 x 190, 8.8,
10	13507401	1	SLUITRING, M12 x 20 x 2,



Ref	Onderdeelnummer	Kwt	Beschrijving
1	5181871	2	LAGERBUS, RH
2	5181870	2	LAGERBUS, LH
3	87382594	1	LICHAAM,
4	89636958	1	ONTLUCHTER,
6	5183490	1	VASTE BUIS,
7	16043224	1	BOUT, Hex, M8 x 16, 8.8, Full Thd,
8	10259960	1	DICHTRING, M18.3 x 24 x 1.5,
5	14457581	2	O-RING, -117, CI 7, .799" ID x .103" Thk,

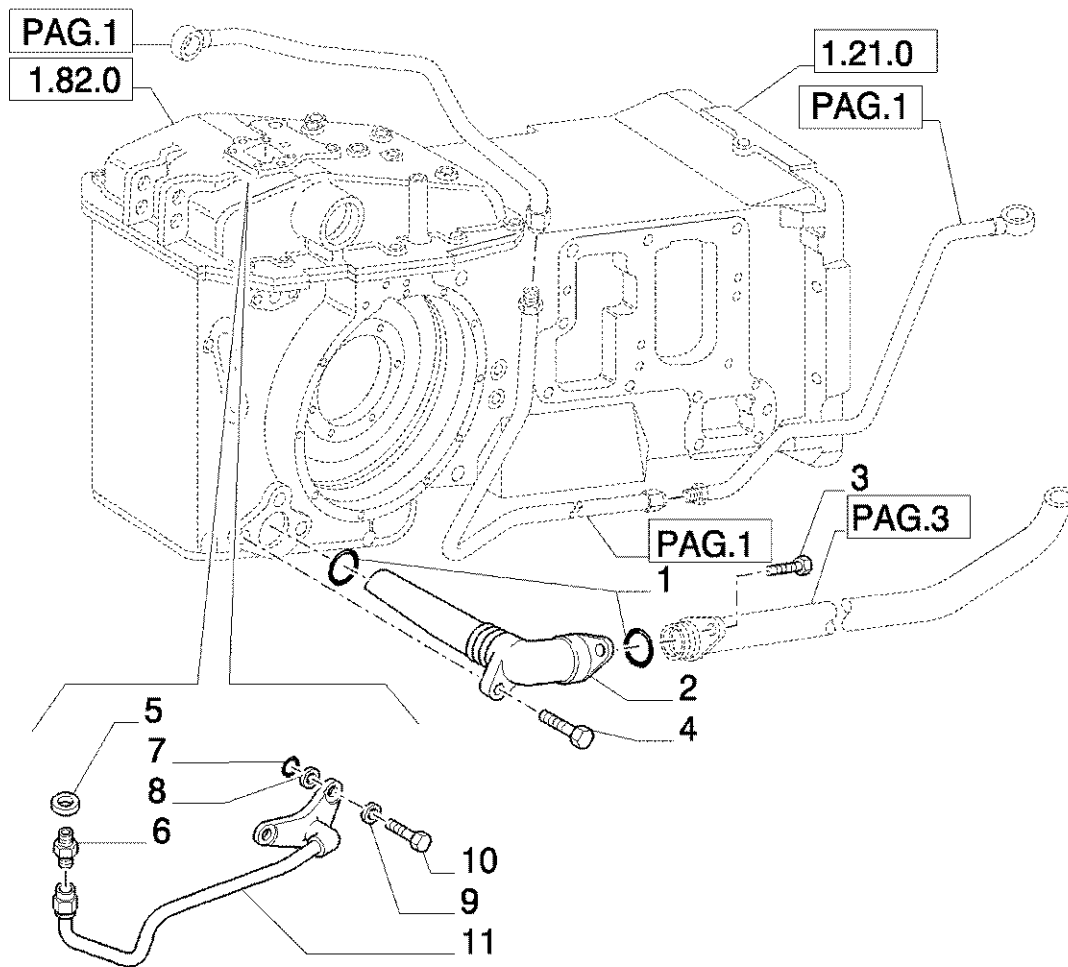
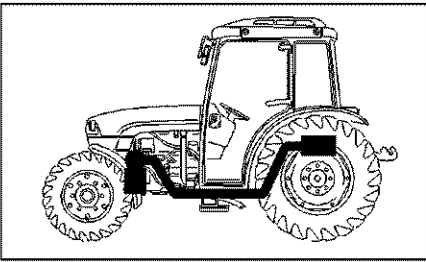
1.82.1(01) LEIDINGEN ELEVATOR



1.82.1(01) LEIDINGEN ELEVATOR

Ref	Onderdeelnummer	Kwt	Beschrijving
1	5174620	1	VASTE BUIS, REAR
2	5180599	1	VASTE BUIS,
3	5182095	2	VERBINDINGSBOUT, M22
4	87332142	4	DICHTRING, D=22
5	5183493	1	VASTE BUIS,
6	16043224	1	BOUT, Hex, M8 x 16, 8.8, Full Thd,

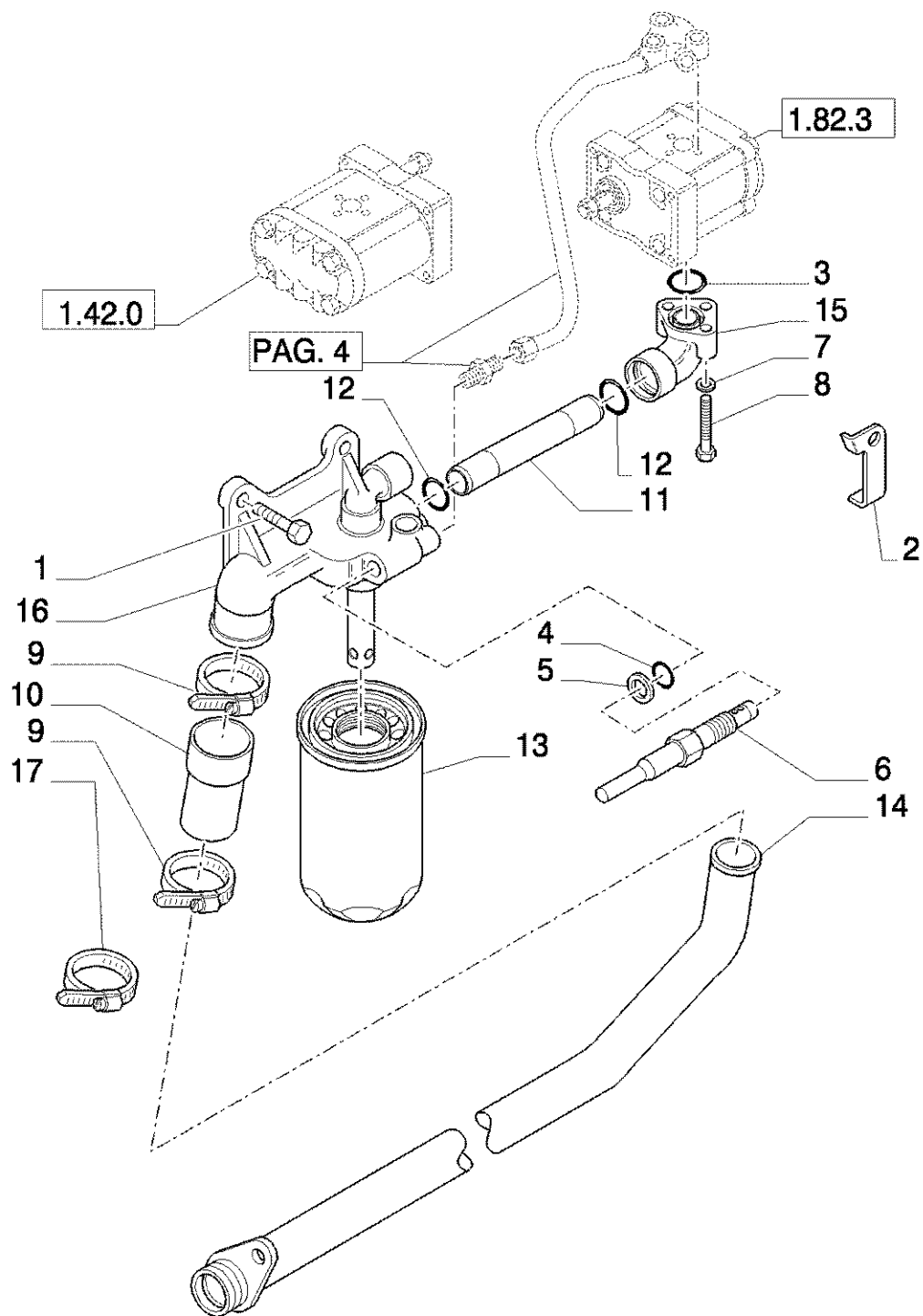
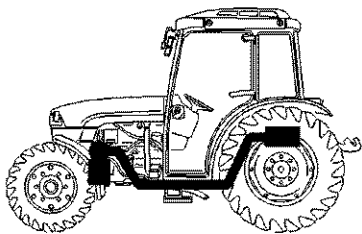
1.82.1(02) LEIDINGEN ELEVATOR



1.82.1(02) LEIDINGEN ELEVATOR

Ref	Onderdeelnummer	Kwt	Beschrijving
1	5174527	2	O-RING,
2	5177027	1	VASTE BUIS,
3	16043324	1	BOUT, Hex, M8 x 18, 8.8, Full Thd,
4	11306924	1	BOUT, Hex, M10 x 1.25 x 30, 8.8, Full Thd,
5	5186176	1	DICHTRING, D=18
6	5158806	1	VERBINDING, M18x1.5,7/8-14
7	14457281	1	O-RING, -114, CI 7, .612" ID x .103" Thk, (M15.54 ID x 2.62 Thk)
8	4958830	1	RESERVERING,
9	10516674	2	VEERRING, D=8
10	16043524	2	BOUT, Hex, M8 x 22, 8.8, Full Thd,
11	47130049	1	VASTE BUIS, INTERNAL

1.82.1(03) LEIDINGEN ELEVATOR

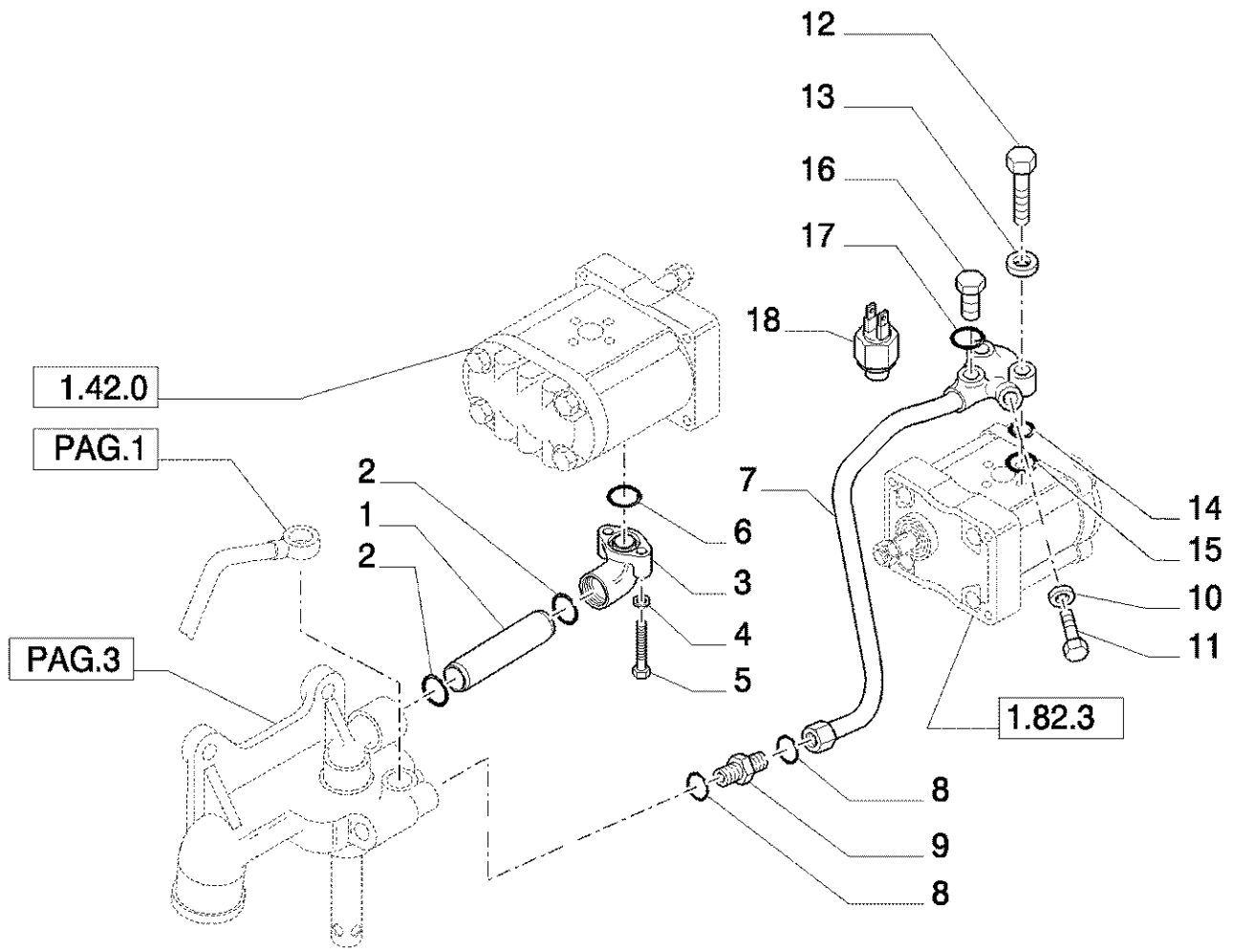
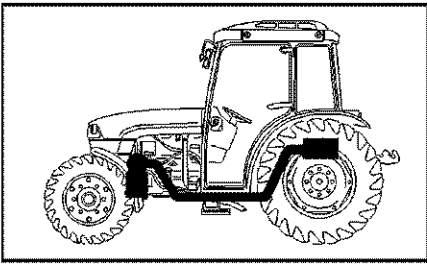


360 KOMPAKT TRACTOR (4/03-) - Hydraulisch Systeem

1.82.1(03) LEIDINGEN ELEVATOR

Ref	Onderdeelnummer	Kwt	Beschrijving
1	89824642	2	BOUT, M12x35
2	5180008	1	STEUNBEUGEL,
3	14457681	1	O-RING, -118, CI 7, .862" ID x .103" Thk, (M21.89 ID x 2.62 Thk)
4	14453981	1	O-RING, -022, CI 7, .989 " ID x .070" Thk,
5	10263360	1	DICHTRING, M20.3 x 26 x 1,
6	47128782	1	OVERDRUKVENTIEL, INCL.REF. 4
7	11193874	2	WASHER, SPRING, Belleville, M8.4, 8x16
8	14306724	1	SCHROEF, Hex Soc Hd, M8 x 40, 8.8,
8	14306920	2	SCHROEF, Hex Soc Hd, M8 x 50, 8.8,
8	14302224	2	SCHROEF, Hex Soc Hd, M8 x 55, 8.8,
9	13000890	2	SLANGKLEM, D=50-70
10	5178545	1	FLEXIBELE BUIS,
11	5180627	1	VASTE BUIS,
12	14463681	2	O-RING, -218, CI 7, 1.234" ID x .139" Thk,
13	47131196	1	FILTER, HYDRAULISCHE OLIE,
14	5180566	1	VASTE BUIS,
15	87316772	1	VERBINDING,
16	5180403	1	STEUN,
17	13000990	1	SLANGKLEM, D=60-80

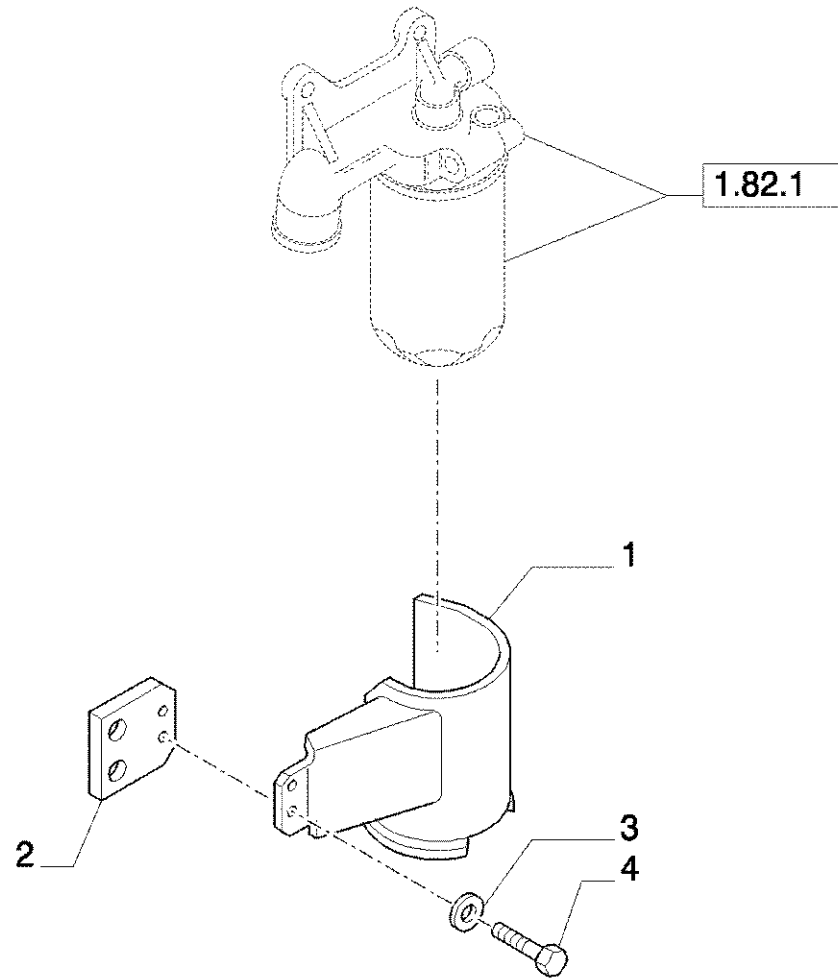
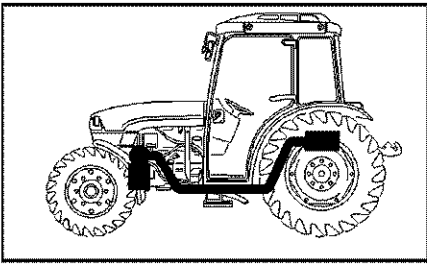
1.82.1(04) LEIDINGEN ELEVATOR



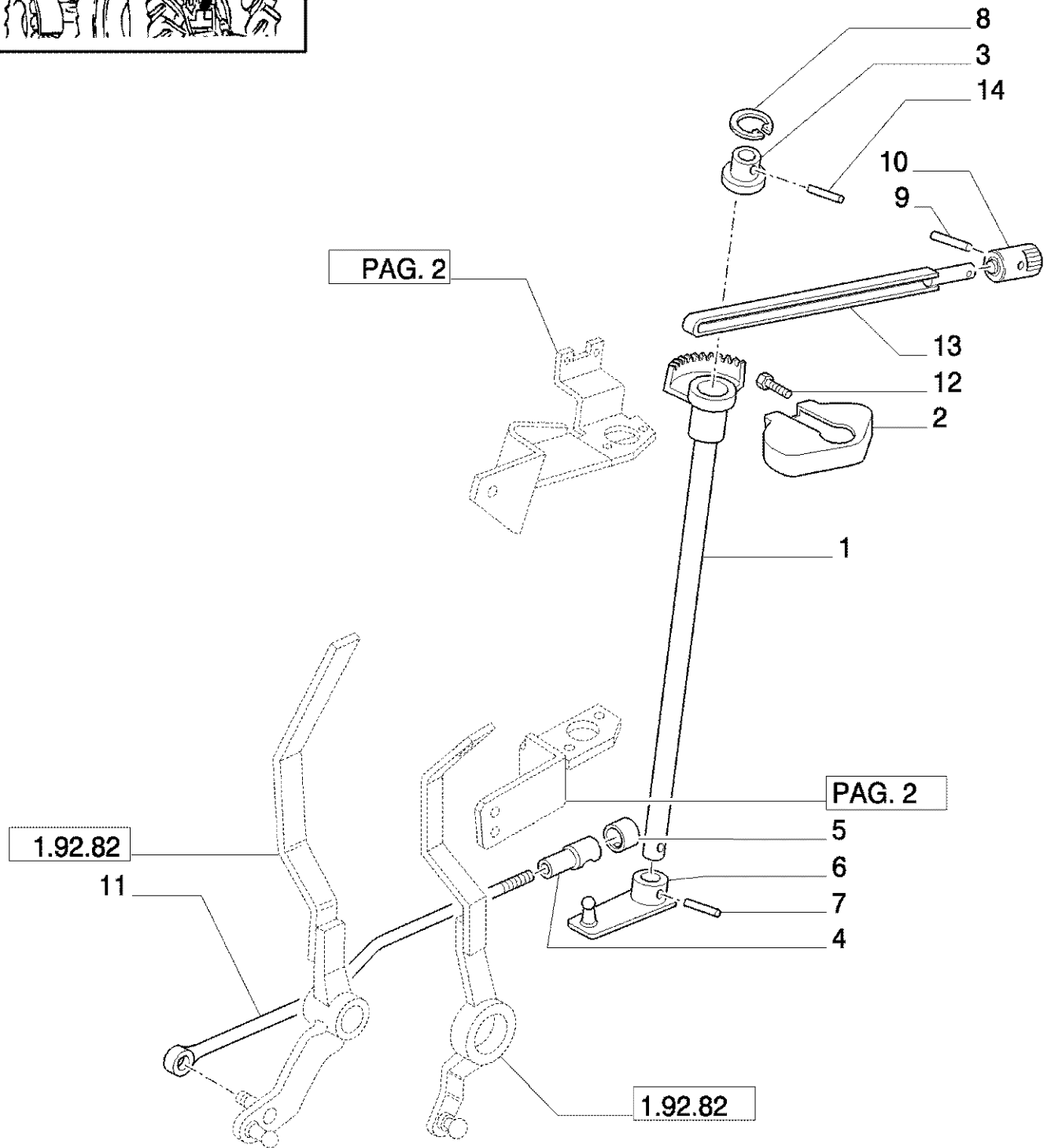
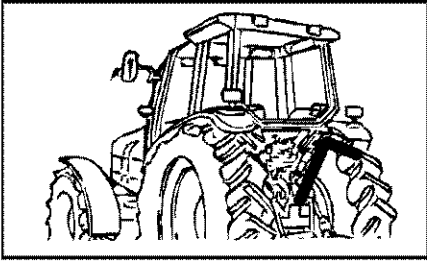
360 KOMPAKT TRACTOR (4/03-) - Hydraulisch Systeem

1.82.1(04) LEIDINGEN ELEVATOR

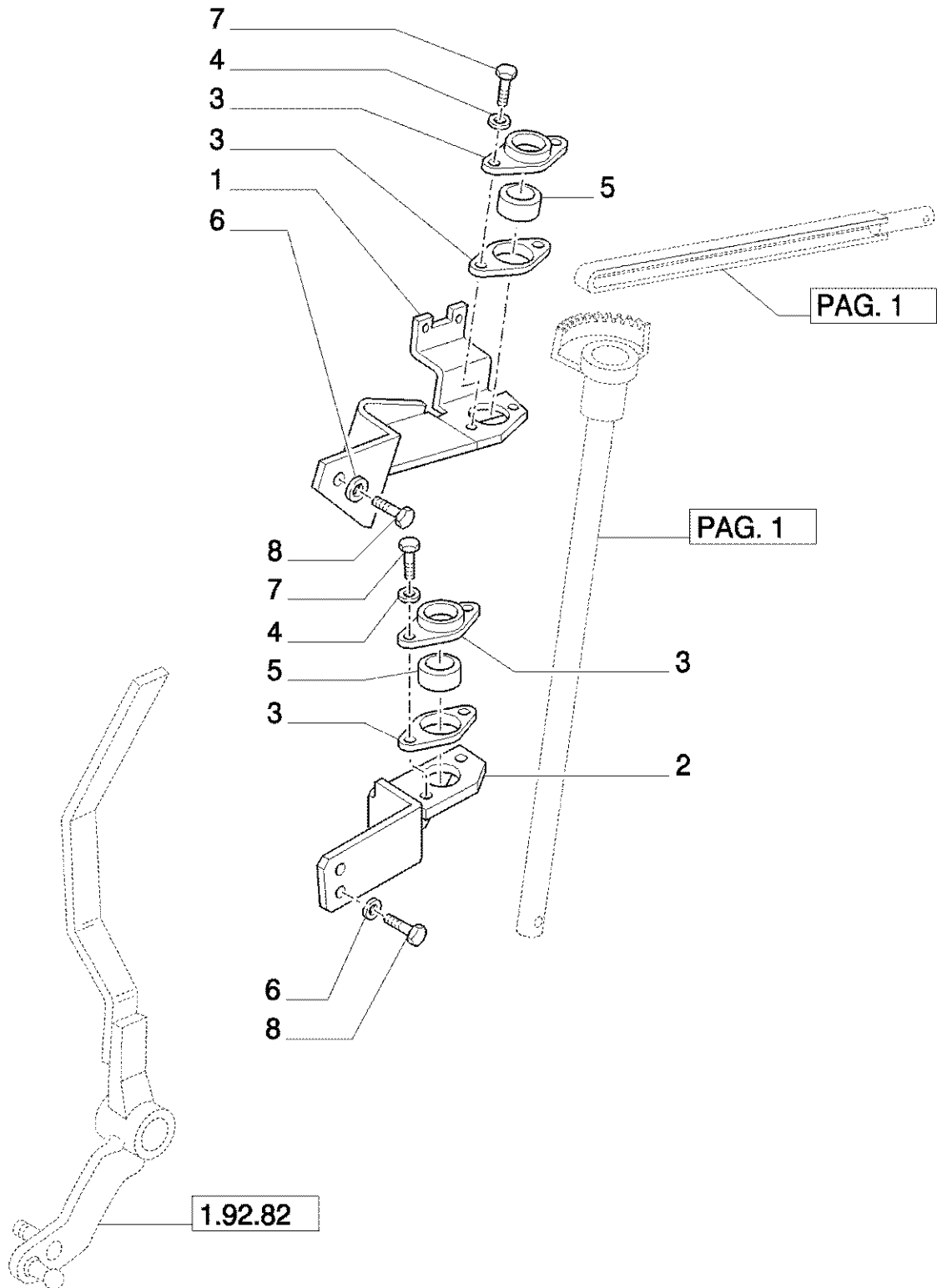
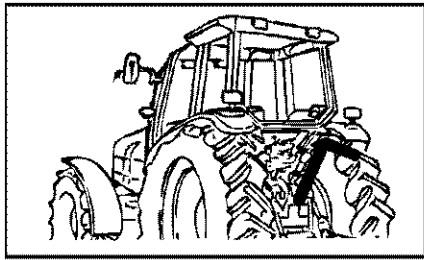
Ref	Onderdeelnummer	Kwt	Beschrijving
1	5180628	1	VASTE BUIS,
2	14463181	2	O-RING, -213, CI 7, .921" ID x .139" Thk,
3	5178486	1	VERBINDING,
4	11193874	2	WASHER, SPRING, Belleville, M8.4, 8x16
5	14306824	2	SCHROEF, Hex Soc Hd, M8 x 45, 10.9,
6	14457681	1	O-RING, -118, CI 7, .862" ID x .103" Thk, (M21.89 ID x 2.62 Thk)
7	5181944	1	VASTE BUIS,
8	87332142	2	DICHTRING, D=22
9	5167516	1	VERBINDING, 1-1/16"-12UN, M22x1.5
10	4858606	1	DICHTINGSSTUK, 10x14
11	11903114	1	PLUG, M10 x 1.25 x 11,
12	10902824	2	BOUW, Hex, M6 x 30, 8.8,
13	10516474	2	VEERRING, D=6
15	44015841	1	RESERVERING, 19x19.5x2.05
16	10300511	1	PLUG, M12 x 1.25 x 12, CI5.8,
17	4858607	1	WASHER, COPPER, 12x18x1.5
18	82032837	1	DRUKSCHAKELAAR, To Hydr. DT Light
14	5146468	1	O-RING, -113, CI 9, .549" ID x .103" Thk, 13.94x2.62



Ref	Onderdeelnummer	Kwt	Beschrijving
1	5184790	1	PLAAT,
2	5175548	1	AFSTANDSRING,
3	11193974	2	WASHER, SPRING, Belleville, M8.4, M8
4	16043424	2	BOUT, Hex, M8 x 20, 8.8, Full Thd,

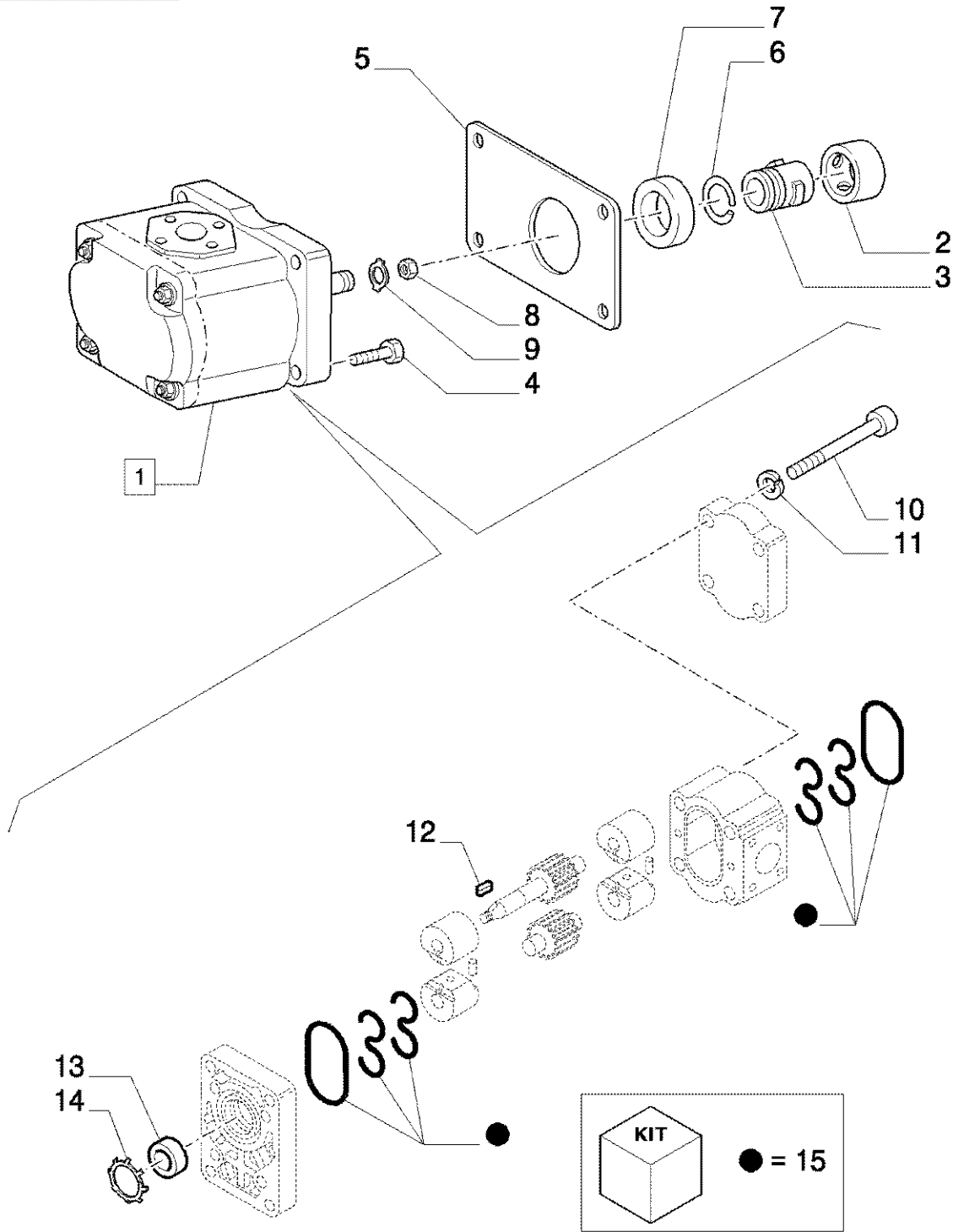
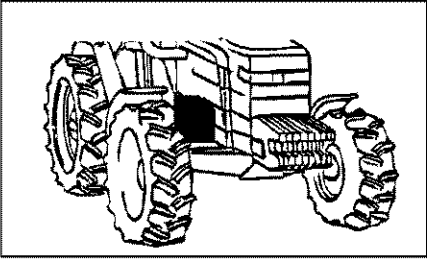


Ref	Onderdeelnummer	Kwt	Beschrijving
1	5170979	1	AANDRIJFAS,
2	5171028	1	AFSCHERMING,
3	5171002	1	NAAF,
4	10124511	1	KOGELGEWRICHT,
5	10125574	1	KLEM,
6	5134373	1	HEFBOOM,
7	13910170	1	SPANSTIFT, M6 x 26, Coiled,
8	11059974	1	RING, SNAP, M40, Int,
9	14164470	1	SLUITPEN, M4 x 32, Slotted,
10	5144119	1	KNOP,
11	5177691	1	TREKSTANG,
12	10979424	2	BOUT, Hex, M6 x 10, 8.8, Full Thd,
13	5189838	1	HEFBOOM, L=110
14	14601374	1	SLUITPEN, M5 x 30, Slotted,



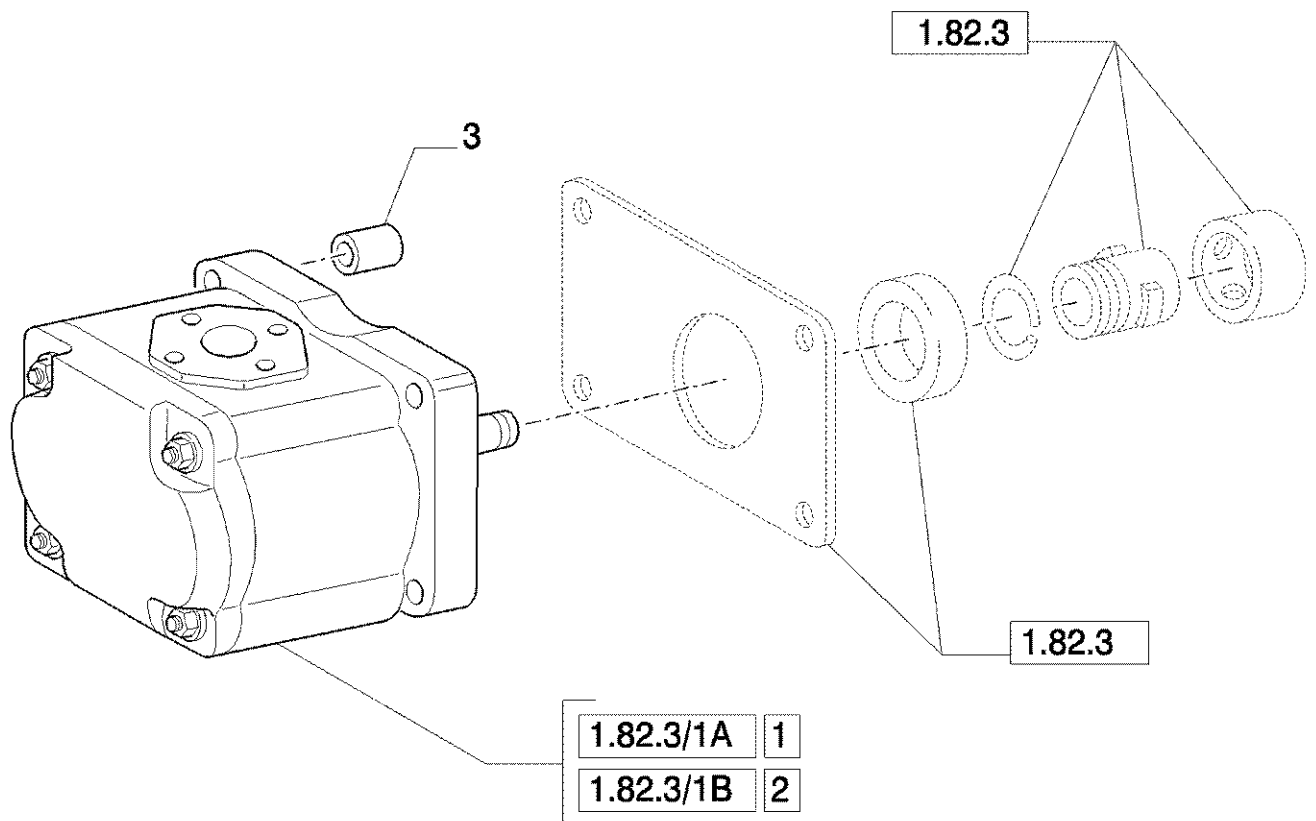
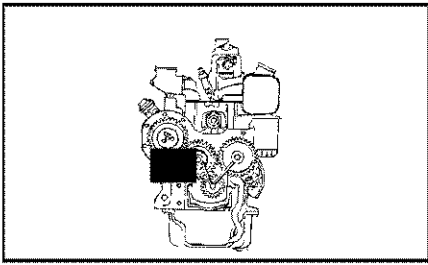
Ref	Onderdeelnummer	Kwt	Beschrijving
1	5177514	1	STEUN, UPPER
2	5177517	1	STEUN, LOWER
3	5110722	4	KOM,
4	10516474	4	VEERING,
5	5127536	4	LAGERBUS,
6	12638521	AR	SLUITRING, M8 x 15 x 1.5,
7	10902124	4	BOUT, Hex, M6 x 14, 8.8, Full Thd,
8	16043624	AR	BOUT, Hex, M8 x 25, 8.8, Full Thd,

1.82.3 HYDRAULISCHE POMP



1.82.3 HYDRAULISCHE POMP

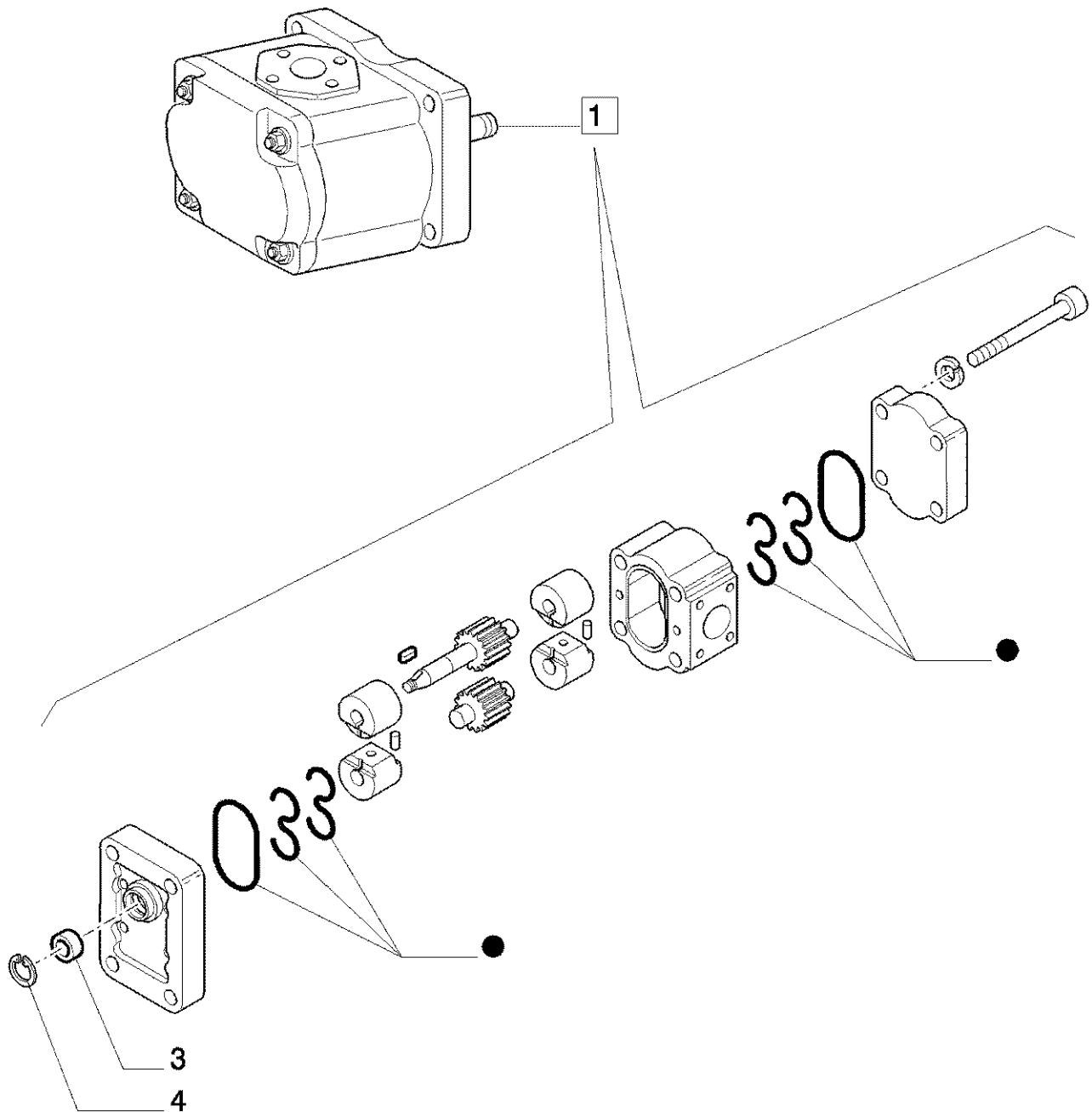
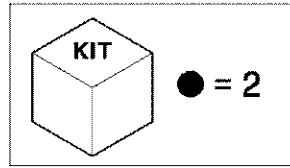
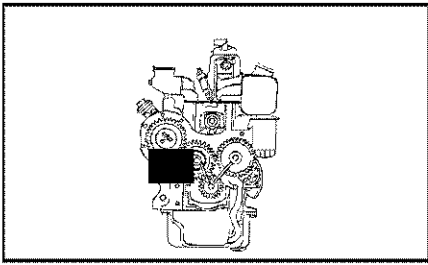
Ref	Onderdeelnummer	Kwt	Beschrijving
1	5179726	1	POMP, ASSY
2	5118569	1	KOPPELING,
3	5118570	1	NAAF,
4	10902824	4	BOUW, Hex, M6 x 30, 8.8,
5	5167989	1	DICHTINGSSTUK,
6	13398376	1	RING, SNAP, M40, Int,
7	5118568	1	RING,
8	8273919	1	MOER, 7/16"
9	8273920	1	VEERRING,
10	5120497	4	SCHROEF,
11	76026107	4	SLUITRING,
12	8273918	1	INLEGSPIE,
13	7984178	1	KIT,
14	9967847	1	VEERRING,
15	9967849	1	KIT,



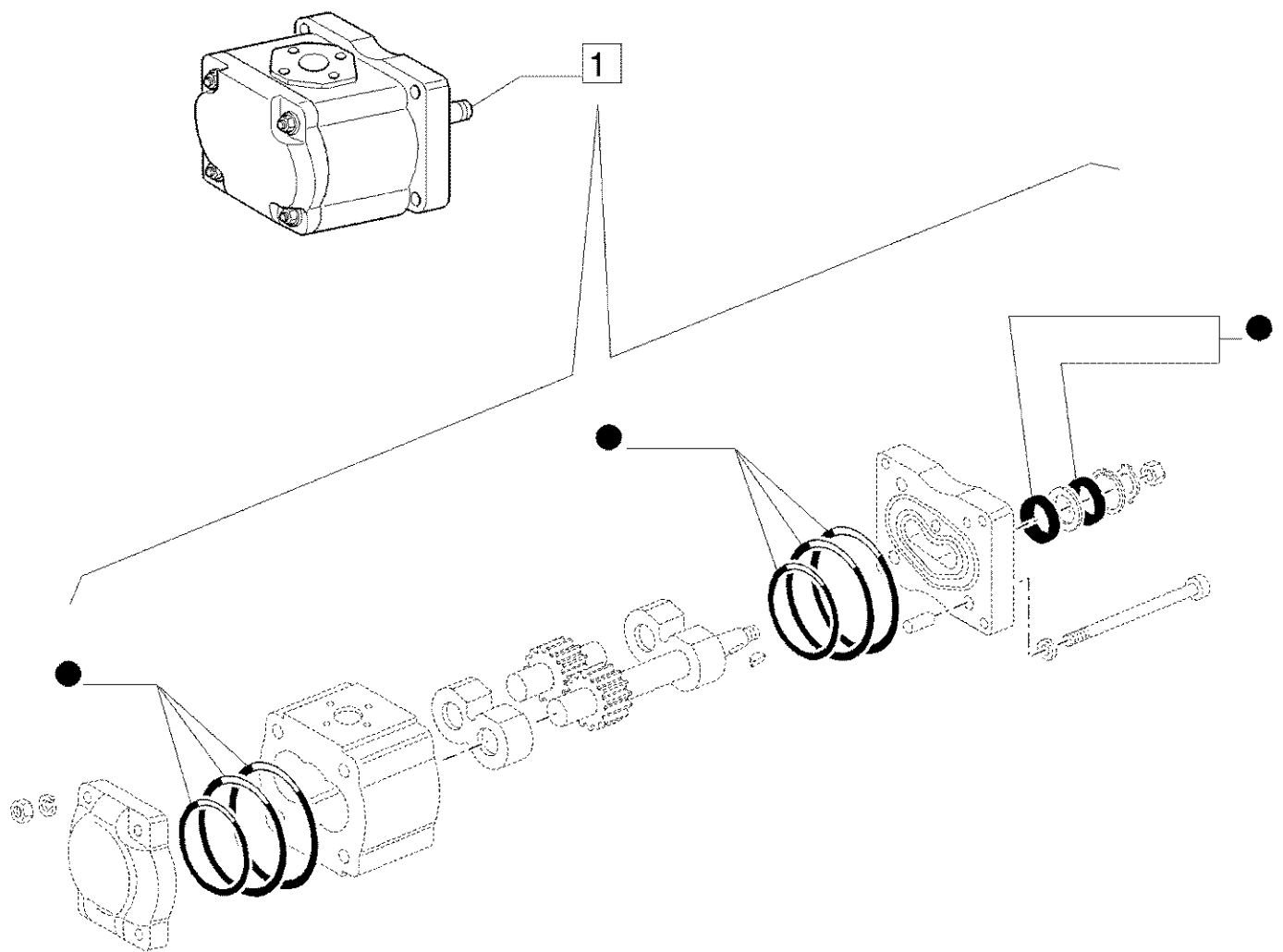
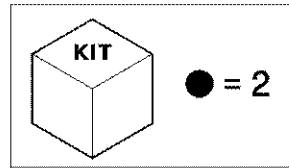
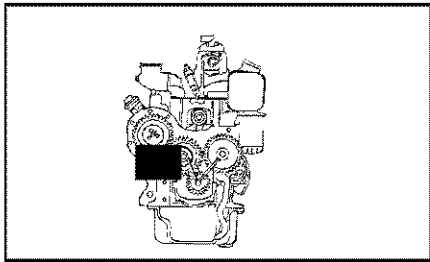
360 KOMPAKT TRACTOR (4/03-) - Hydraulisch Systeem

1.82.3/01(01) (VAR.823-826) HYDRAULISCHE POMP 64L

Ref	Onderdeelnummer	Kwt	Beschrijving
1	5170560	1	POMP, ASSY (BOSCH)
2	5170561	1	POMP, ASSY (SAUER)
3	5112988	1	BUISJE, 6.5x8x15



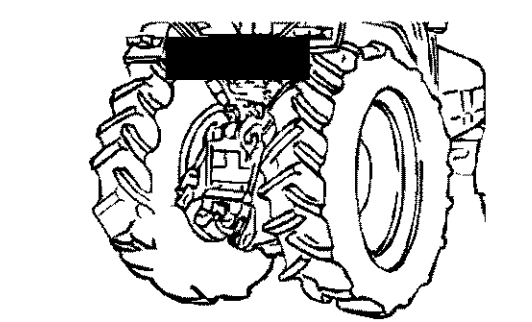
Ref	Onderdeelnummer	Kwt	Beschrijving
1	5170560	1	POMP, ASSY (BOSCH)
2	9967849	1	KIT,
3	7984178	1	KIT,
4	7984179	1	SLUITRING,



360 KOMPAKT TRACTOR (4/03-) - Hydraulisch Systeem

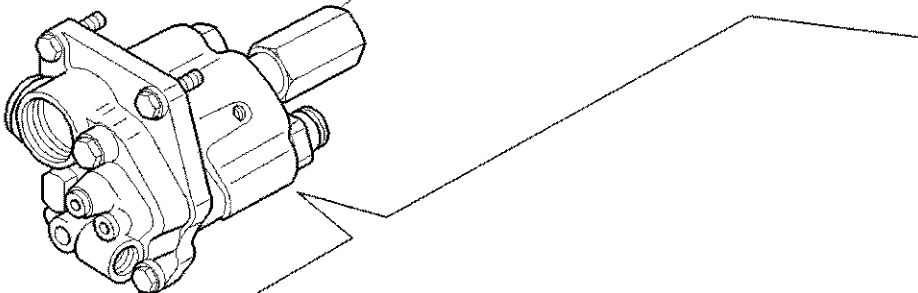
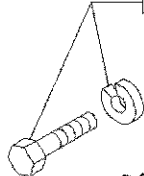
1.82.3/01B(01) (VAR.823-826) HYDRAULISCHE POMP 64L - DELEN COMPONENTEN

Ref	Onderdeelnummer	Kwt	Beschrijving
1	5170561	1	POMP, ASSY (SAUER)
2	81863210	1	DICHTINGSKIT,



PAG.2

1



PAG.4

13

14

3

4

5

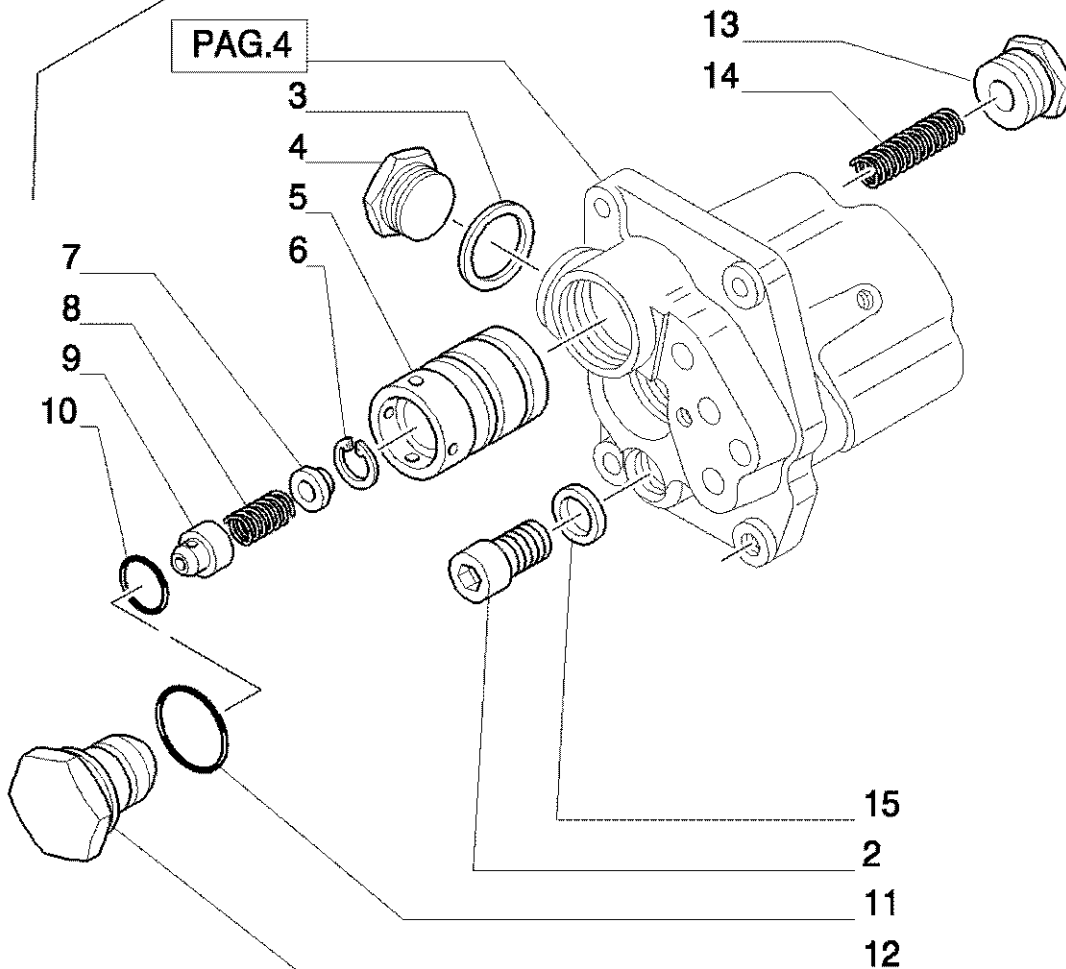
6

7

8

9

10



15

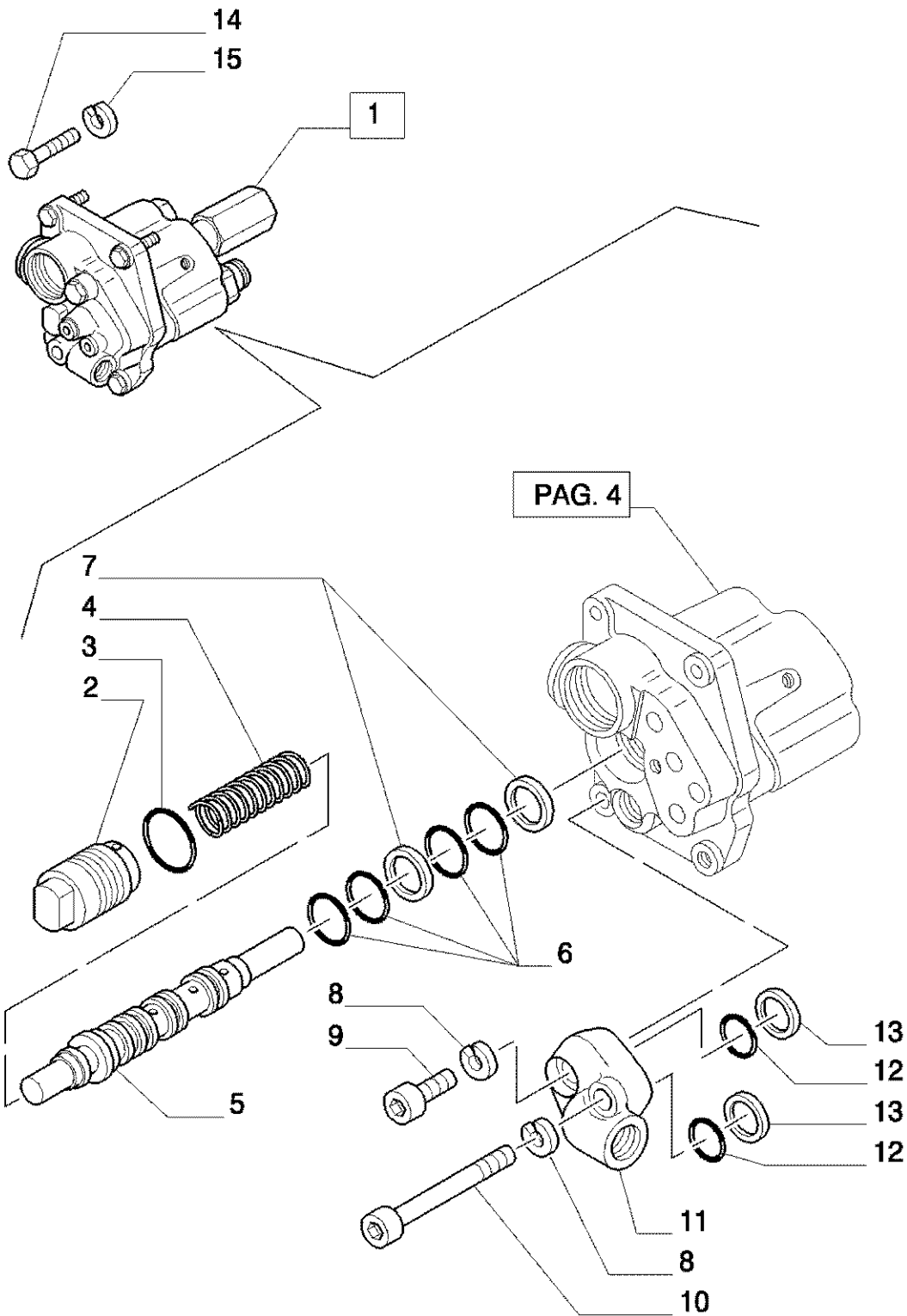
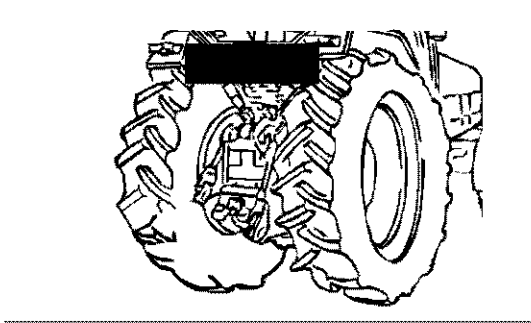
2

11

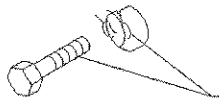
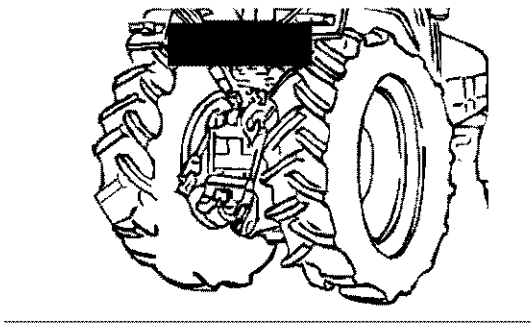
12



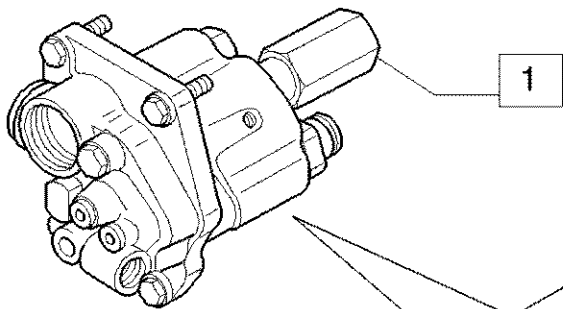
Ref	Onderdeelnummer	Kwt	Beschrijving
1	47124174	1	KONTROLEKLEP, ASSY
2	14360524	1	SCHROEF, Hex Soc Hd, M12 x 1.25 x 20, 8.8,
3	10279560	1	WASHER, COPPER, M22.3 x 28 x 1,
4	10275011	1	PLUG, M22 x 1.5 x 13,
5	5117731	1	KLEPZITTING,
6	13420376	1	RING, SNAP, M12, Int,
7	5122030	1	SLUITRING,
8	5115469	1	VEER,
9	5117732	1	SPOEL,
10	5135738	1	O-RING, -115, CI 9, .674" ID x .103" Thk, 2.62x17.12
11	14458081	1	O-RING, -122, CI 7, 1.112" ID x .103" Thk,
12	5122029	1	PLUG,
13	5117734	1	PLUG,
14	5117729	1	VEER,
15	4858607	1	WASHER, COPPER,



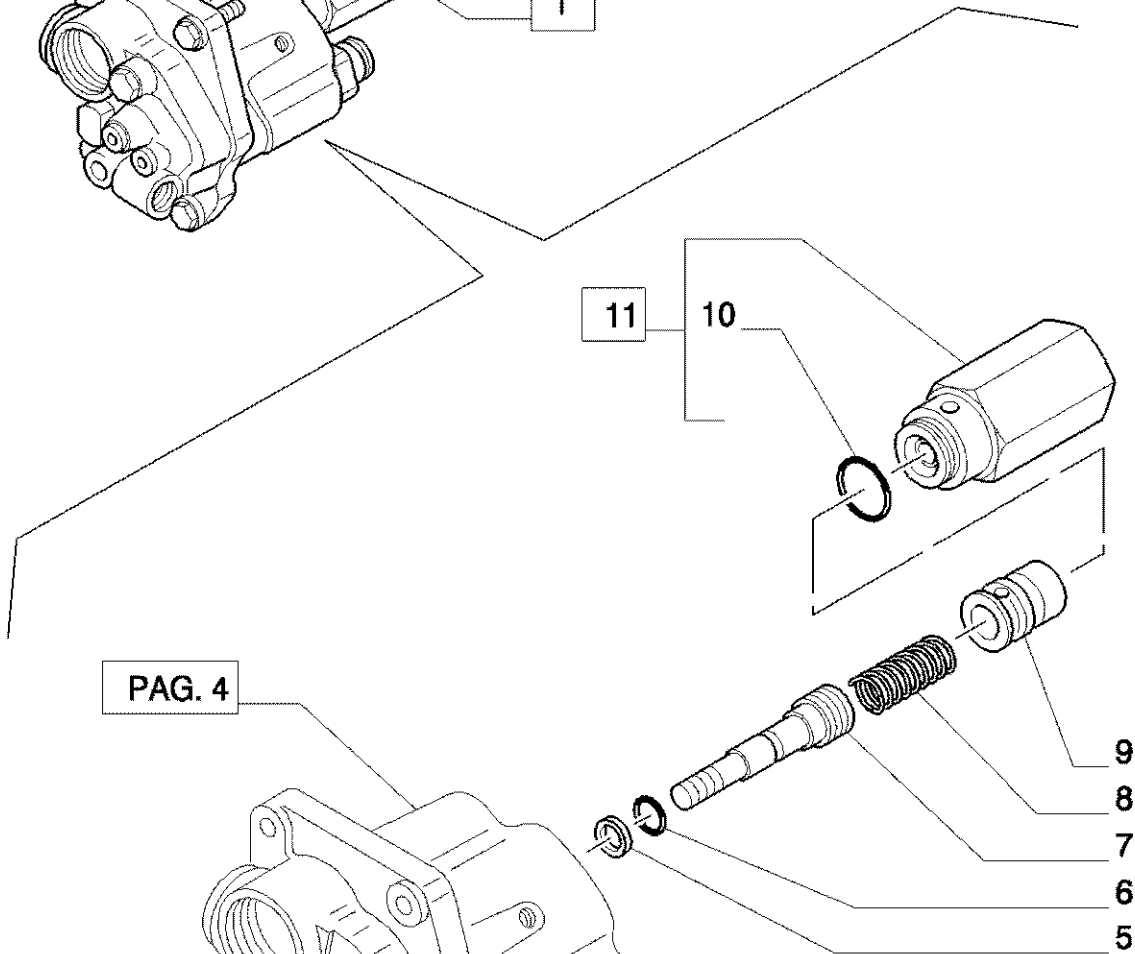
Ref	Onderdeelnummer	Kwt	Beschrijving
1	47124174	1	KONTROLEKLEP, ASSY
2	5117725	1	PLUG,
3	14453981	1	O-RING, -022, CI 7, .989 " ID x .070" Thk,
4	4973361	1	VEER,
5	5180930	1	KLEPZITTING,
6	5135738	4	O-RING, -115, CI 9, .674" ID x .103" Thk, 2.62x17.12
7	5117726	2	RESERVERING,
8	11190574	2	WASHER, SPRING, Belleville, M10.5,
9	14307421	1	SCHROEF, Hex Soc Hd, M10 x 1.25 x 25, 8.8,
10	14308421	1	SCHROEF, Hex Soc Hd, M10 x 1.25 x 80, 8.8,
11	5173913	1	VERBINDING,
13	44015841	2	RESERVERING,
14	16043834	3	BOUT, Hex, M8 x 30, 10.9, Full Thd,
15	11193874	4	WASHER, SPRING, Belleville, M8.4, 8x16
12	5146468	2	O-RING, -113, CI 9, .549" ID x .103" Thk, 13.94x2.62



PAG. 2



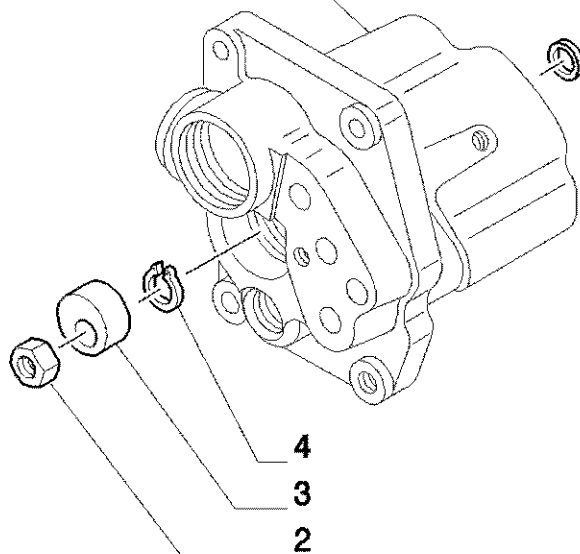
1



11

10

PAG. 4



4

3

2

9

8

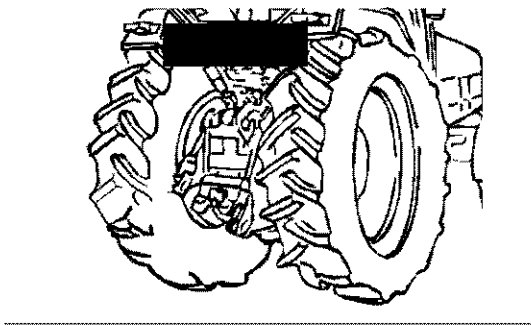
7

6

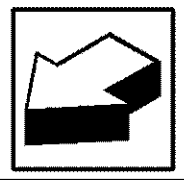
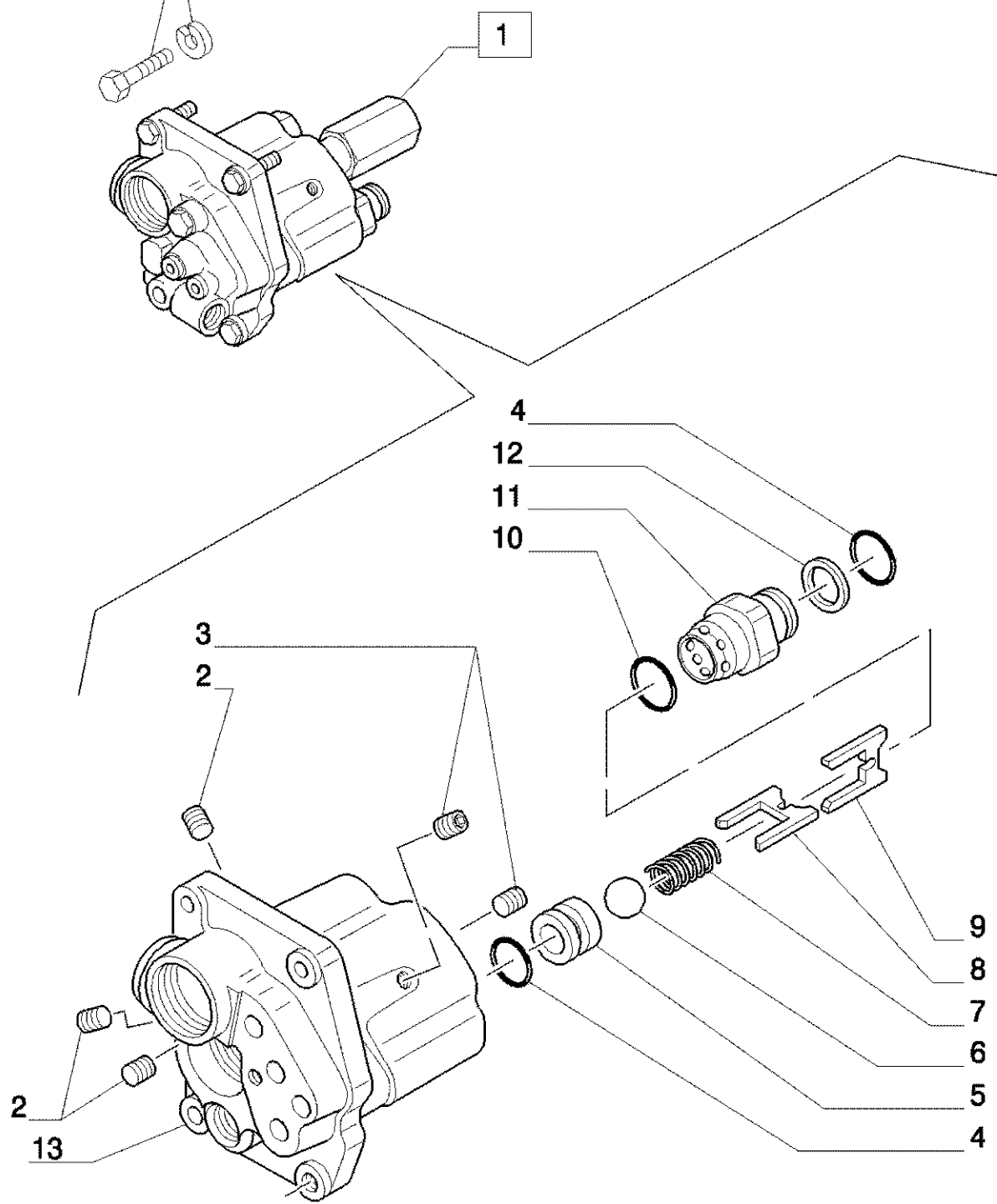
5



Ref	Onderdeelnummer	Kwt	Beschrijving
1	47124174	1	KONTROLEKLEP, ASSY.
2	16100811	1	MOER, M8, CI 8,
3	5170590	1	AFSTANDSRING,
4	13397476	1	RING, SNAP, M10.8, Int,
5	5120771	1	RESERVERING,
6	5120772	1	O-RING,
7	5170591	1	PEN,
8	5155844	1	VEER,
9	47124173	1	REGELAAR,
10	5135738	1	O-RING, -115, CI 9, .674" ID x .103" Thk, 2.62x17.12
11	5117739	1	OVERDRUKVENTIEL,

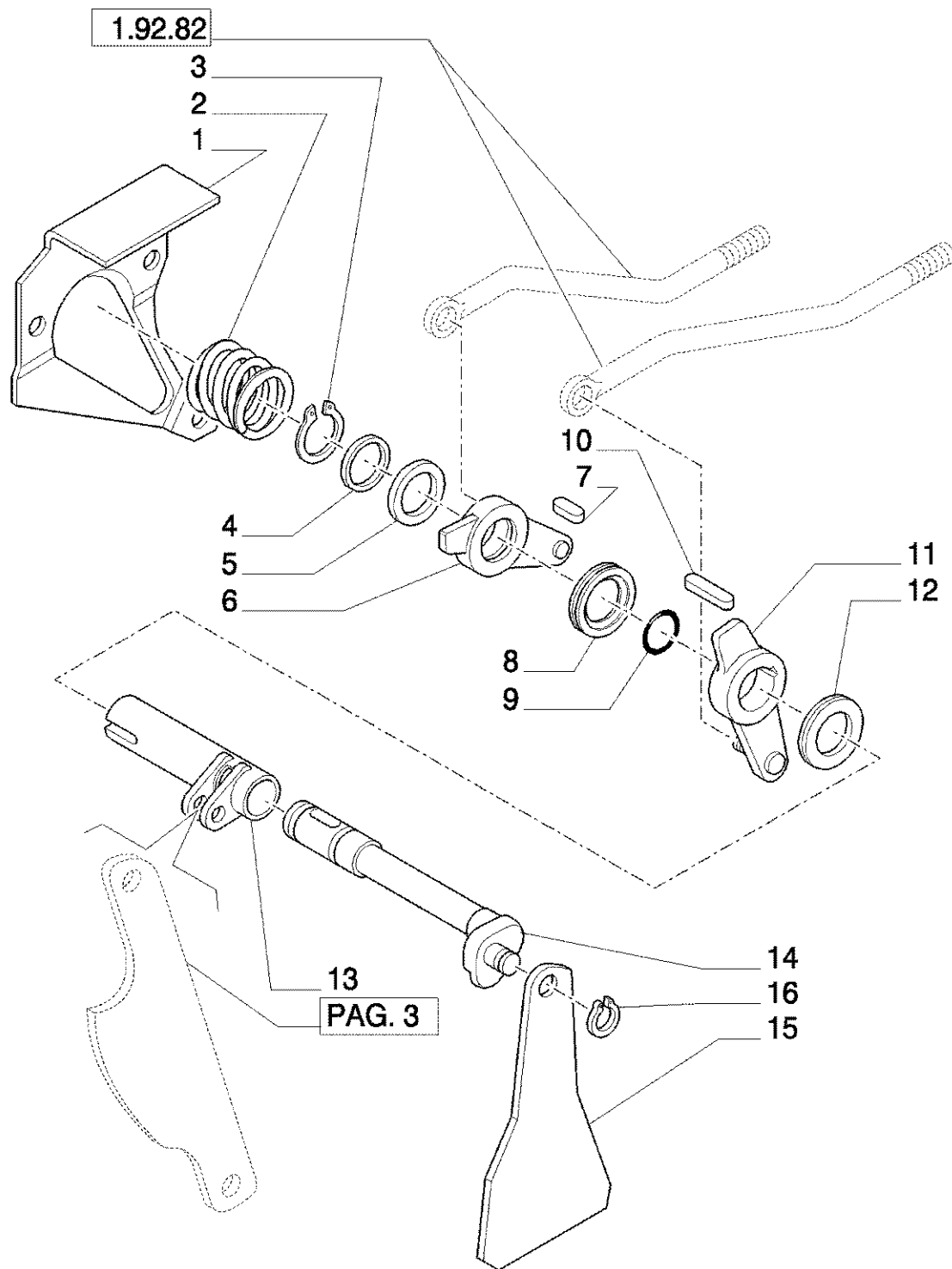
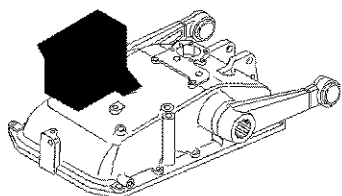


PAG.2



Ref	Onderdeelnummer	Kwt	Beschrijving
1	47124174	1	KONTROLEKLEP, ASSY
2	10269150	3	PLUG, M6
3	5162458	2	PLUG, M10
4	14457281	2	O-RING, -114, CI 7, .612" ID x .103" Thk, (M15.54 ID x 2.62 Thk)
5	5156290	1	KLEPZITTING,
6	20063580	1	KOGEL,
7	5156289	1	VEER,
8	5148907	1	AFSTANDSRING,
9	5148905	1	AFSTANDSRING,
11	5156291	1	VERBINDING,
12	4958830	1	RESERVERING,
13	5170596	1	LICHAAM, INCL.REF. 2,3
10	14457581	1	O-RING, -117, CI 7, .799" ID x .103" Thk,

1.82.5(01) BESTURING ELEVATOR

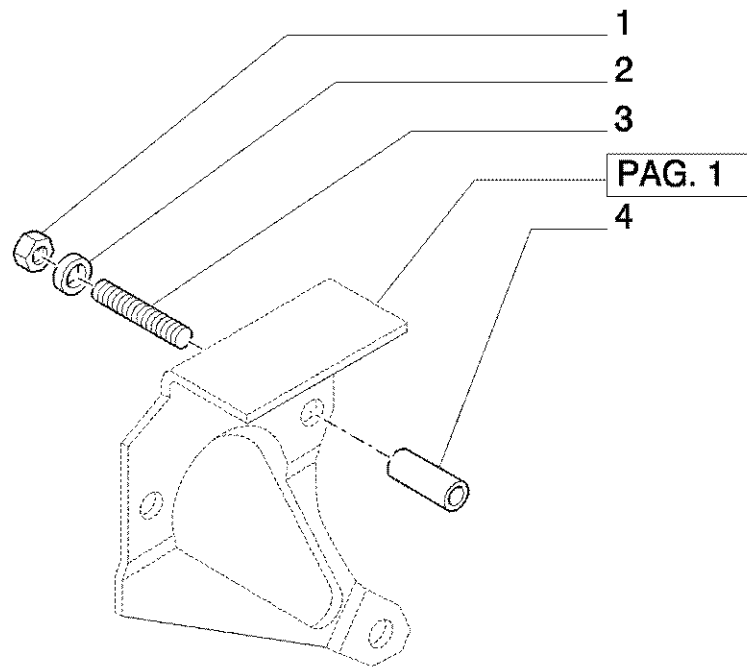
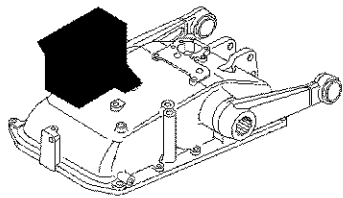


360 KOMPAKT TRACTOR (4/03-) - Hydraulisch Systeem

1.82.5(01) BESTURING ELEVATOR

Ref	Onderdeelnummer	Kwt	Beschrijving
1	5176287	1	PLAAT,
2	4952761	1	VEER,
3	11066276	1	RING, SNAP, M14, Ext,
4	12646001	1	SLUITRING, M14 x 24 x 2,
5	5165368	1	DIKTEPLAAT,
6	5175668	1	NAAF, POSITION
7	10617610	1	INLEGSPIE, Sq, M5 x 10,
8	5165246	1	SCHIJF, CENTER
10	14721010	1	INLEGSPIE, Sq, M4 x 14,
11	5175666	1	NAAF, DRAUGHT
12	5165184	1	SCHIJF,
13	5173355	1	AFSTANDSRING,
14	5173353	1	AS,
15	5117143	1	HEFBOOM,
16	11065976	1	RING, SNAP, M10, Ext,
9	14453081	1	O-RING, -013, CI 7, .426" ID x .070" Thk,

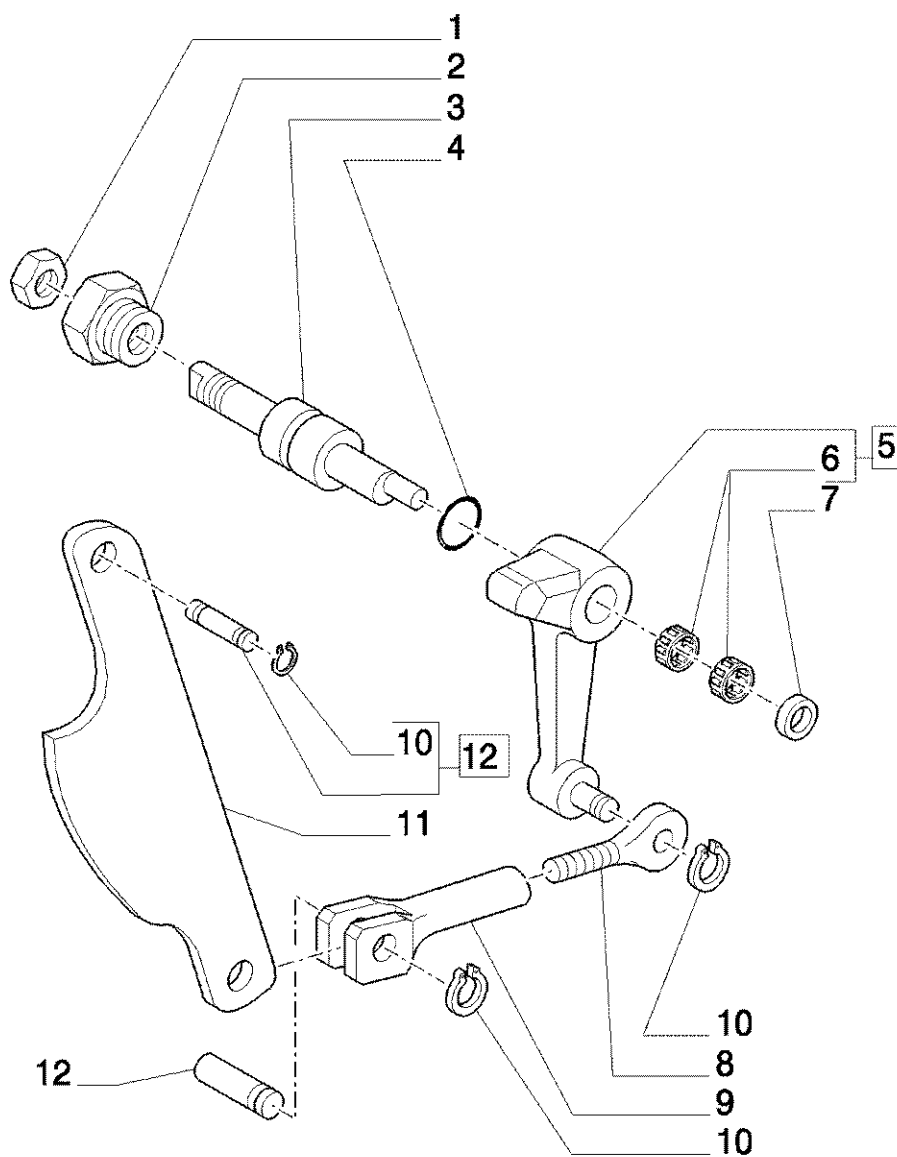
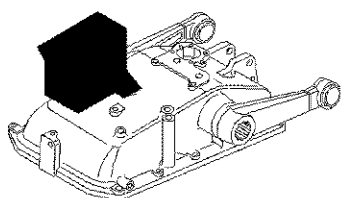
1.82.5(02) BESTURING ELEVATOR



1.82.5(02) BESTURING ELEVATOR

Ref	Onderdeelnummer	Kwt	Beschrijving
1	16100811	3	MOER, M8, CI 8,
2	11193874	3	WASHER, SPRING, Belleville, M8.4, 8x16
3	13544124	3	TAPEIND, M8x16x55
4	5176339	3	AFSTANDSRING,

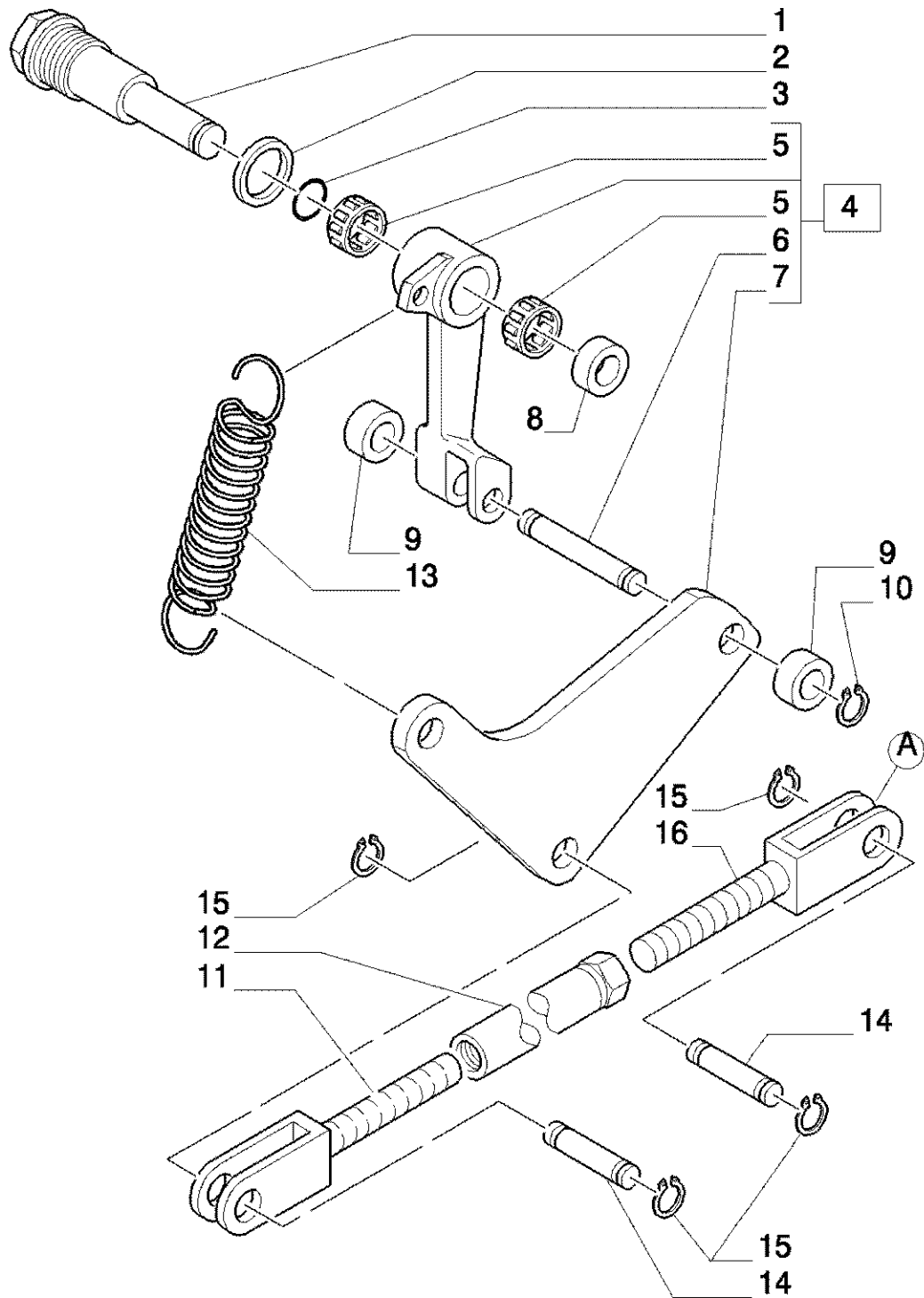
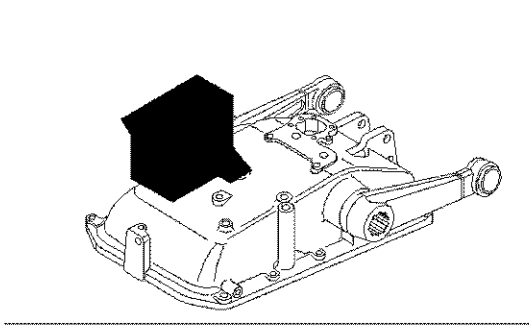
1.82.5(03) BESTURING ELEVATOR



1.82.5(03) BESTURING ELEVATOR

Ref	Onderdeelnummer	Kwt	Beschrijving
1	16103614	1	MOER, Thin, M12 x 1.25, CI 04,
2	5146379	1	PAKKINGMOER,
3	5173467	1	PEN,
4	14457281	1	O-RING, -114, CI 7, .612" ID x .103" Thk, (M15.54 ID x 2.62 Thk)
5	5193911	1	HEFBOOM, ASSY
6	5109160	2	STEL RINGEN +0.8,
7	5143634	1	AFSTANDSRING,
8	5136355	1	TREKSTANG,
9	5173352	1	GAFFEL,
10	89990741	5	RING, SNAP,
11	5122497	1	HEFBOOM,
12	5113008	2	PEN, ASSY

1.82.5(04) BESTURING ELEVATOR

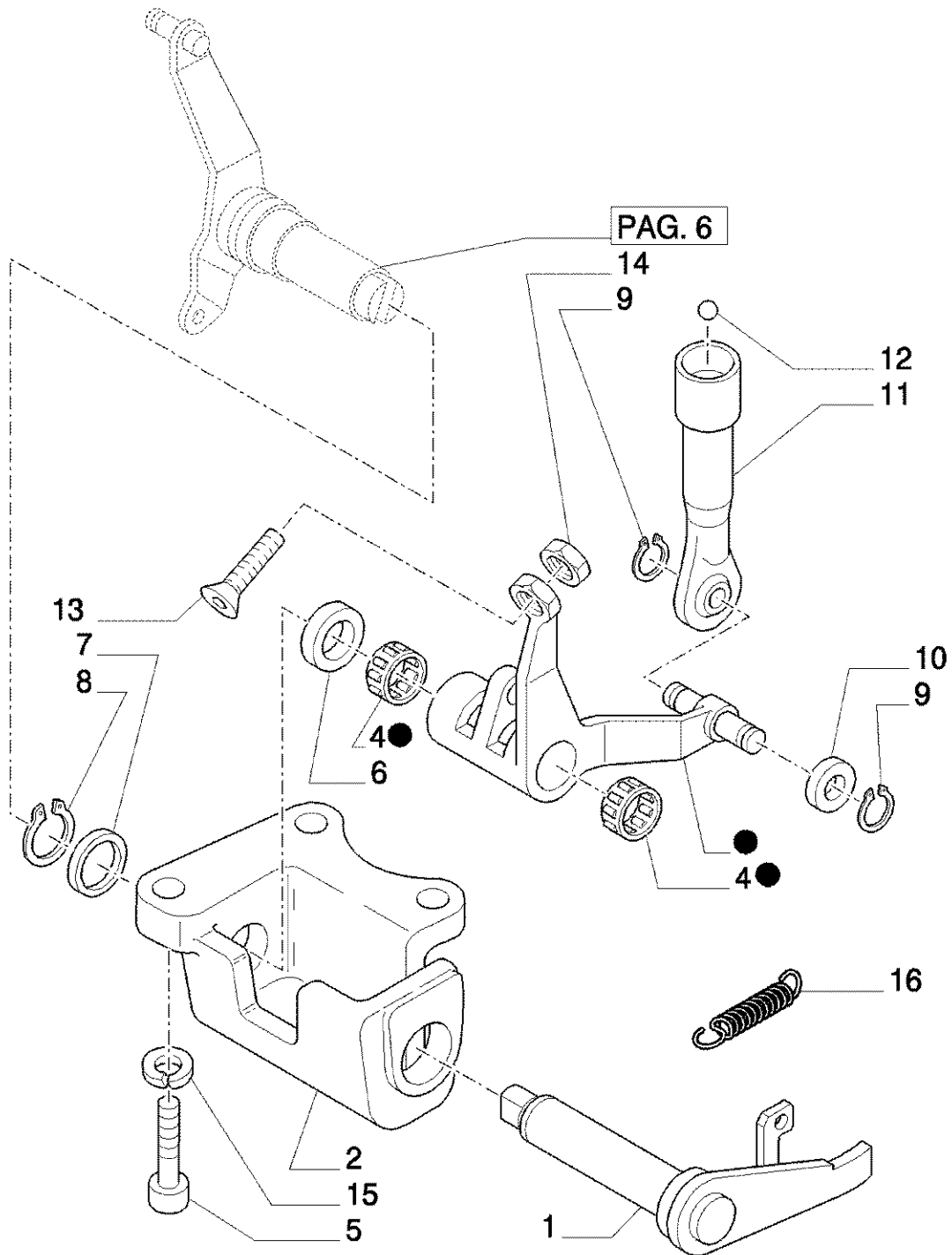
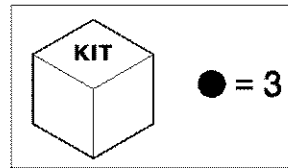
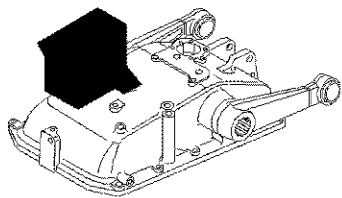


360 KOMPAKT TRACTOR (4/03-) - Hydraulisch Systeem

1.82.5(04) BESTURING ELEVATOR

Ref	Onderdeelnummer	Kwt	Beschrijving
1	5168417	1	PEN,
2	10263460	1	DICHTRING, M22.3 x 28 x 1.5,
3	14457681	1	O-RING, -118, CI 7, .862" ID x .103" Thk, (M21.89 ID x 2.62 Thk)
4	5173357	1	ARM, ASSY
5	5109160	2	STEL RINGEN +0.8,
6	5173361	1	PEN,
7	5150257	1	HEFBOOM,
8	5116251	1	AFSTANDSRING,
9	5111028	2	ROL,
10	89990741	2	RING, SNAP,
11	11990774	1	VORK,
12	10092511	1	MOER, Adjusting, M8 x 1.25 x 80mm,
13	5148884	1	VEER,
14	10249270	2	PEN,
15	11087976	4	BORGVEER, M8,
16	10008971	1	GAFFEL, M8

1.82.5(05) BESTURING ELEVATOR

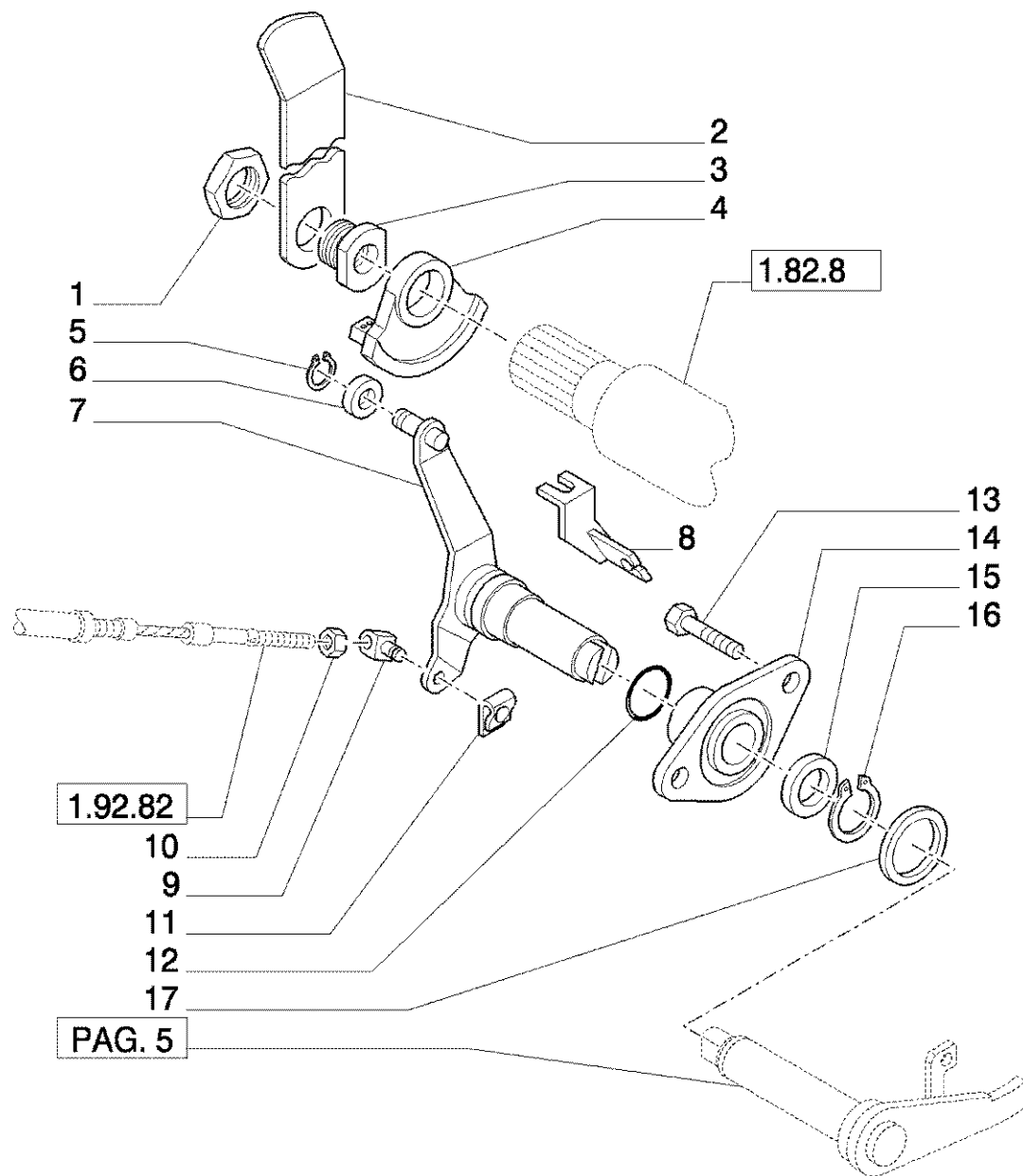
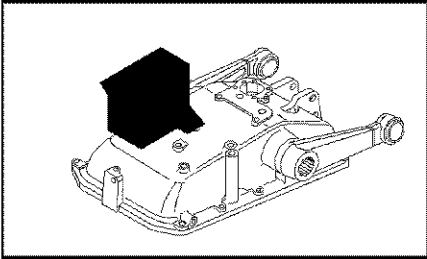


360 KOMPAKT TRACTOR (4/03-) - Hydraulisch Systeem

1.82.5(05) BESTURING ELEVATOR

Ref	Onderdeelnummer	Kwt	Beschrijving
1	5177261	1	HEFBOOM,
2	5173366	1	STEUN,
3	5175907	1	HEFBOOM, ASSY
4	4964519	2	STEL RINGEN +0.8,
6	5173393	1	AFSTANDSRING,
7	10520021	1	SLUITRING, M12 x 22 x 3,
8	11066076	1	RING, SNAP, M12, Ext,
9	89990741	2	RING, SNAP,
10	5111028	1	ROL,
11	5176628	1	PEN,
12	20419300	1	KOGEL,
13	13791321	1	KRACHTBRON, Hex Soc, M8 x 50, Flat Pt,
14	16102311	1	MOER, Thin, M8 x 1.25, CI 04,
15	10569370	3	VEERRING,
16	5176629	1	VEER,
5	14306424	3	SCHROEF, Hex Soc Hd, M8 x 25, 8.8,

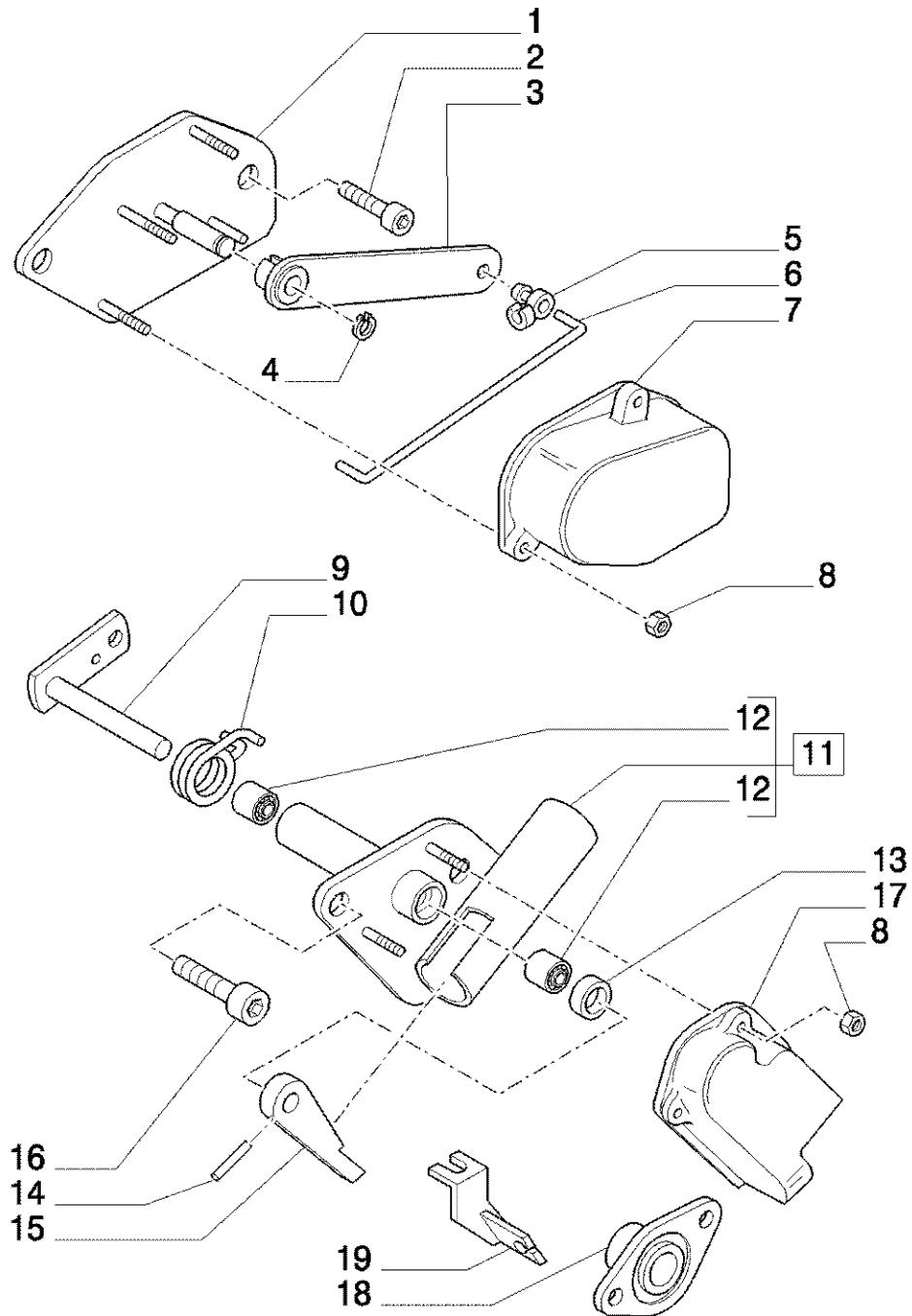
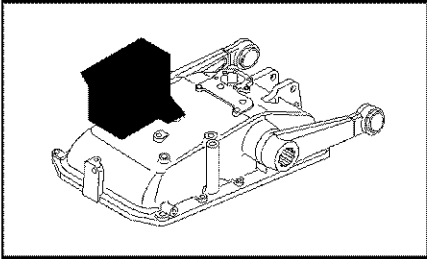
1.82.5(06) BESTURING ELEVATOR



360 KOMPAKT TRACTOR (4/03-) - Hydraulisch Systeem

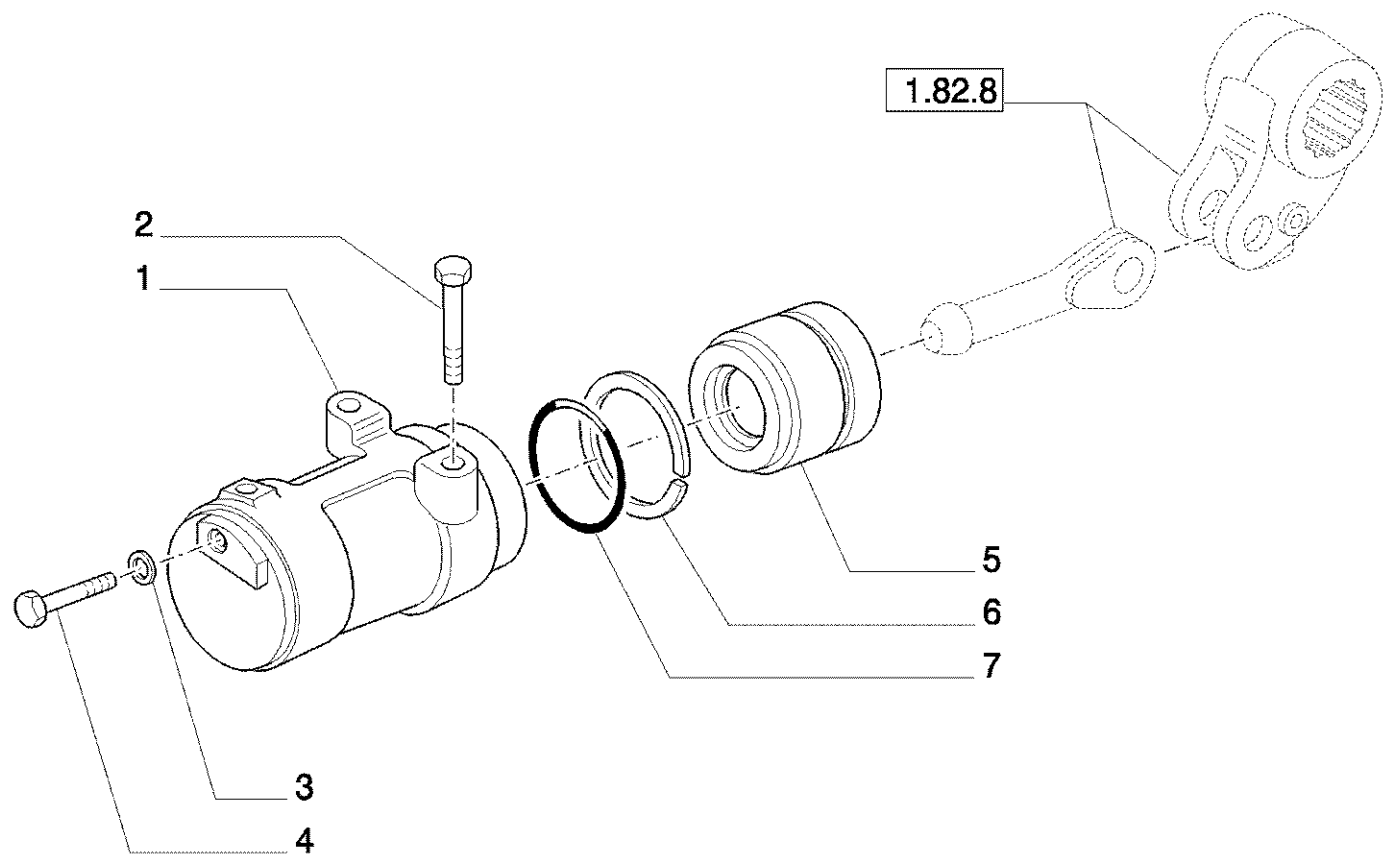
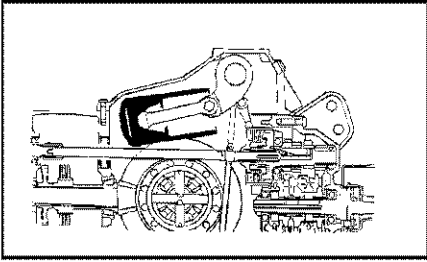
1.82.5(06) BESTURING ELEVATOR

Ref	Onderdeelnummer	Kwt	Beschrijving
1	10791411	1	MOER, Thin, M16 x 1.5, CI 04,
2	5171476	1	HEFBOOM,
3	5176286	1	MOER,
4	5176272	1	GETANDE SECTOR,
5	89990741	1	RING, SNAP,
6	5111028	1	ROL,
7	5176289	1	HEFBOOM,
8	5183060	1	STEUNBEUGEL,
9	5138330	1	PEN,
10	12574215	1	NUT, LOCK, M6 x 1, CI 8,
11	11063876	1	KLEM,
12	14457081	1	O-RING, -112, CI 7, .487" ID x .103" Thk, (M12.37 ID x 2.62 Thk)
14	5176916	1	STEUN,
15	10520207	1	SLUITRING, M16 x 28 x 3,
16	11066476	1	RING, SNAP, M16, Ext,
17	14458680	1	O-RING, -128, 70 Duro, 1.487" ID x .103" Thk,
13	15970624	2	BOUT, Hex, M10 x 1.25 x 22, 8.8, Full Thd,



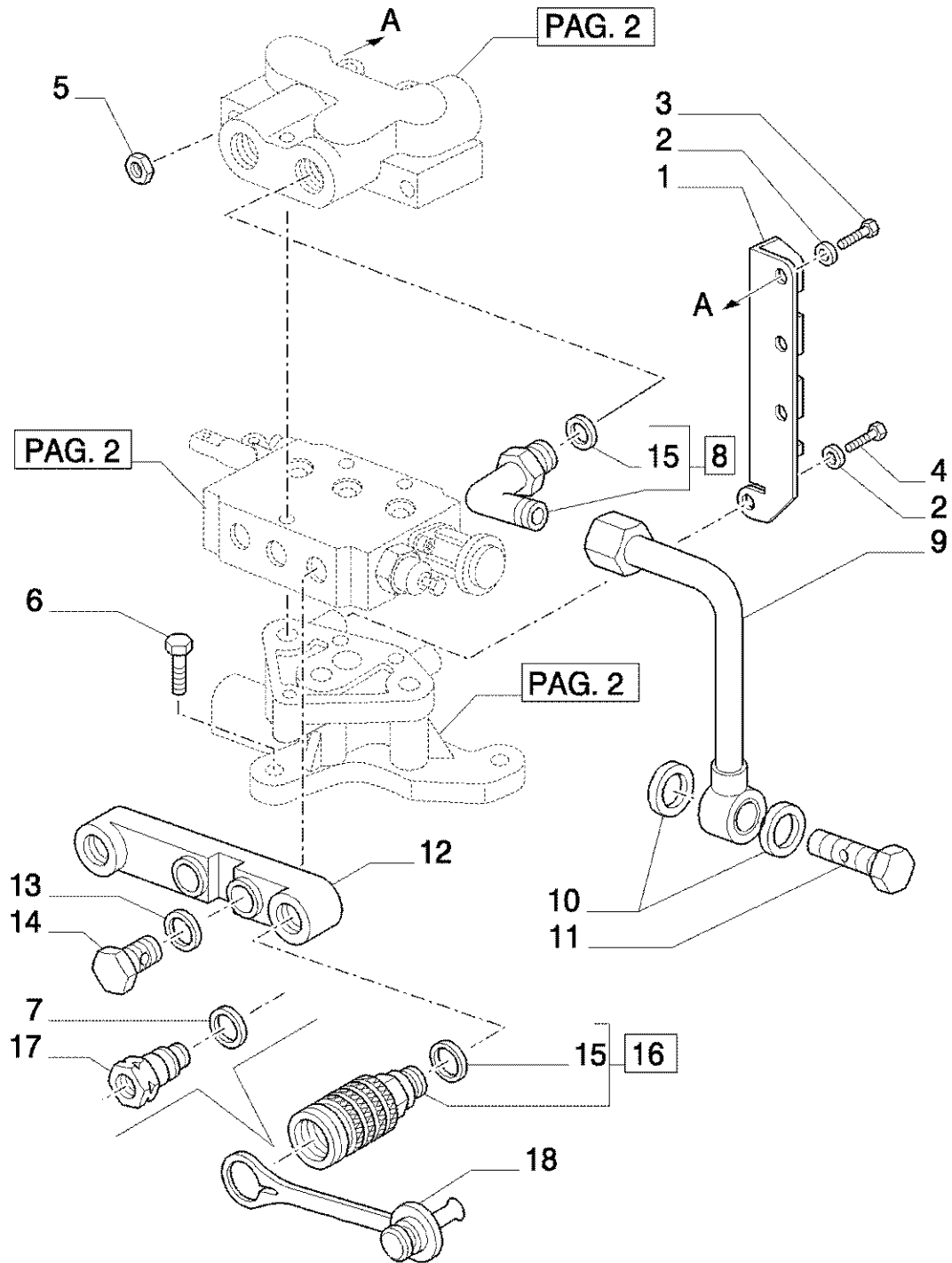
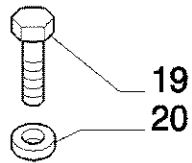
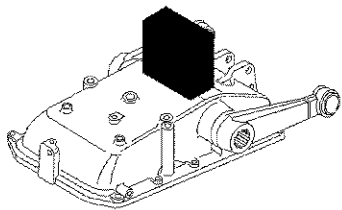
Ref	Onderdeelnummer	Kwt	Beschrijving
1	47132772	1	STEUN,
2	80120228	2	SCHROEF, M8x20
3	5173906	1	HEFBOOM,
4	11087976	1	BORGVEER, M8,
5	89821714	2	KLEM,
6	5173914	1	TREKSTANG,
7	5173934	1	AFSCHERMING,
8	10794014	4	MOER, M4, CI 8,
8	15896414	1	MOER, M5, CI 8,
9	5175901	1	HEFBOOM,
10	5175860	1	VEER,
11	5175311	1	STEUN, ASSY
12	5109988	2	STEL RINGEN +0.8,
13	5105895	1	DICHTINGSSTUK,
14	5173933	1	HEFBOOM,
15	14162074	1	SLUITPEN, M3 x 22, Slotted,
16	14360121	2	SCHROEF, Hex Soc Hd, M10 x 1.25 x 22, 8.8,
17	5175781	1	AFSCHERMING,
18	5176916	1	STEUN,
19	5183060	1	STEUNBEUGEL,

1.82.6 CILINDERS EN ZUIGERS



1.82.6 CILINDERS EN ZUIGERS

Ref	Onderdeelnummer	Kwt	Beschrijving
1	5176521	1	CYLINDER,
2	15981334	2	BOUT, Hex, M16 x 1.5 x 75, 10.9,
3	5135738	1	O-RING, -115, CI 9, .674" ID x .103" Thk, 2.62x17.12
4	15977521	1	BOUT, Hex, M14 x 1.5 x 60, 8.8,
5	5176597	1	ZUIGER,
6	5176620	1	RING,
7	14465580	1	O-RING, -237, 70 Duro, 3.359" ID x .139" Thk,

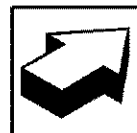
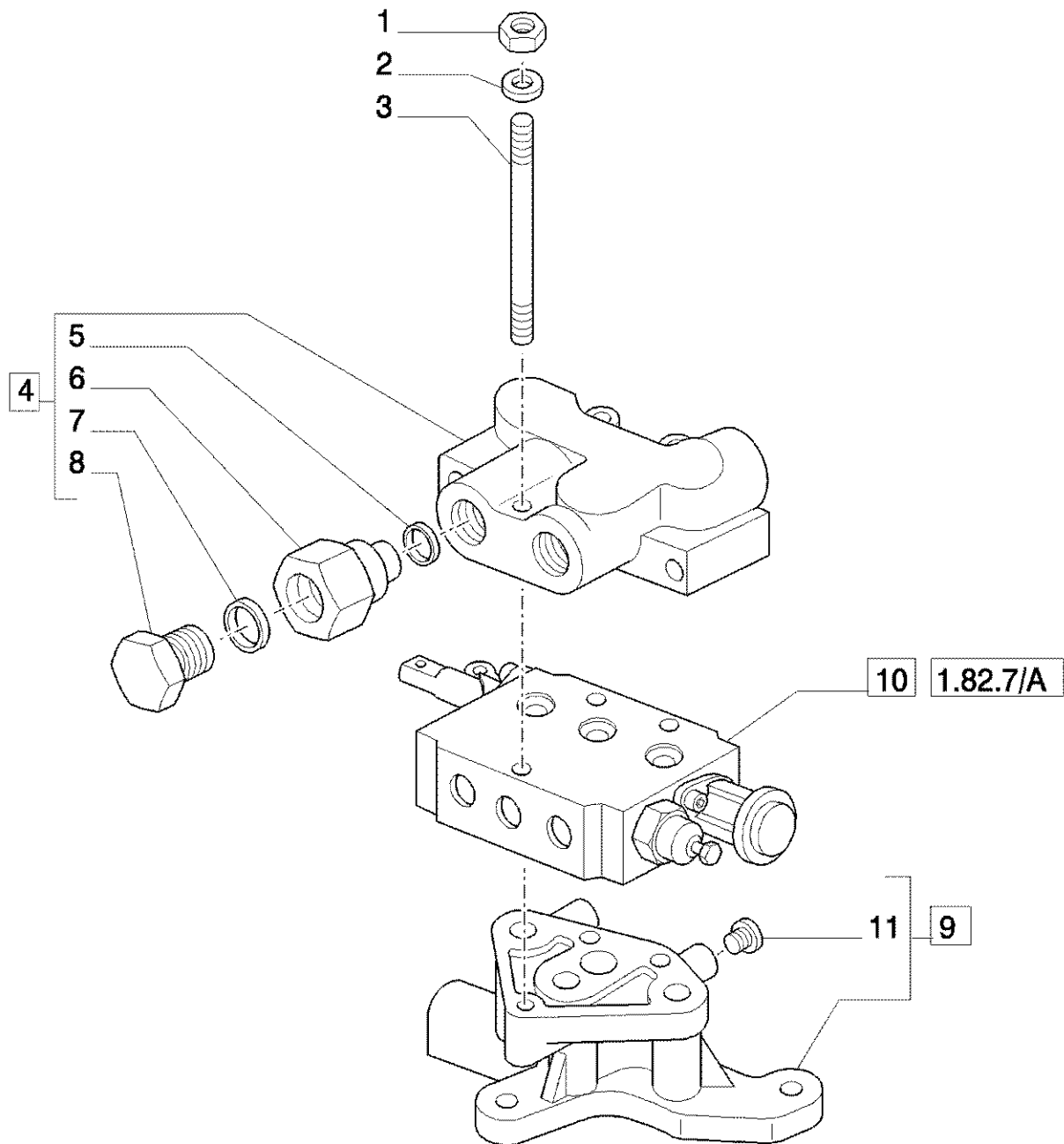
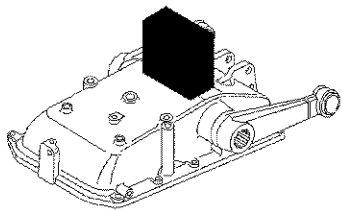


360 KOMPAKT TRACTOR (4/03-) - Hydraulisch Systeem

1.82.7(01) VERDEELBOK ENKELVOUDIG DUBBEL EFFECT

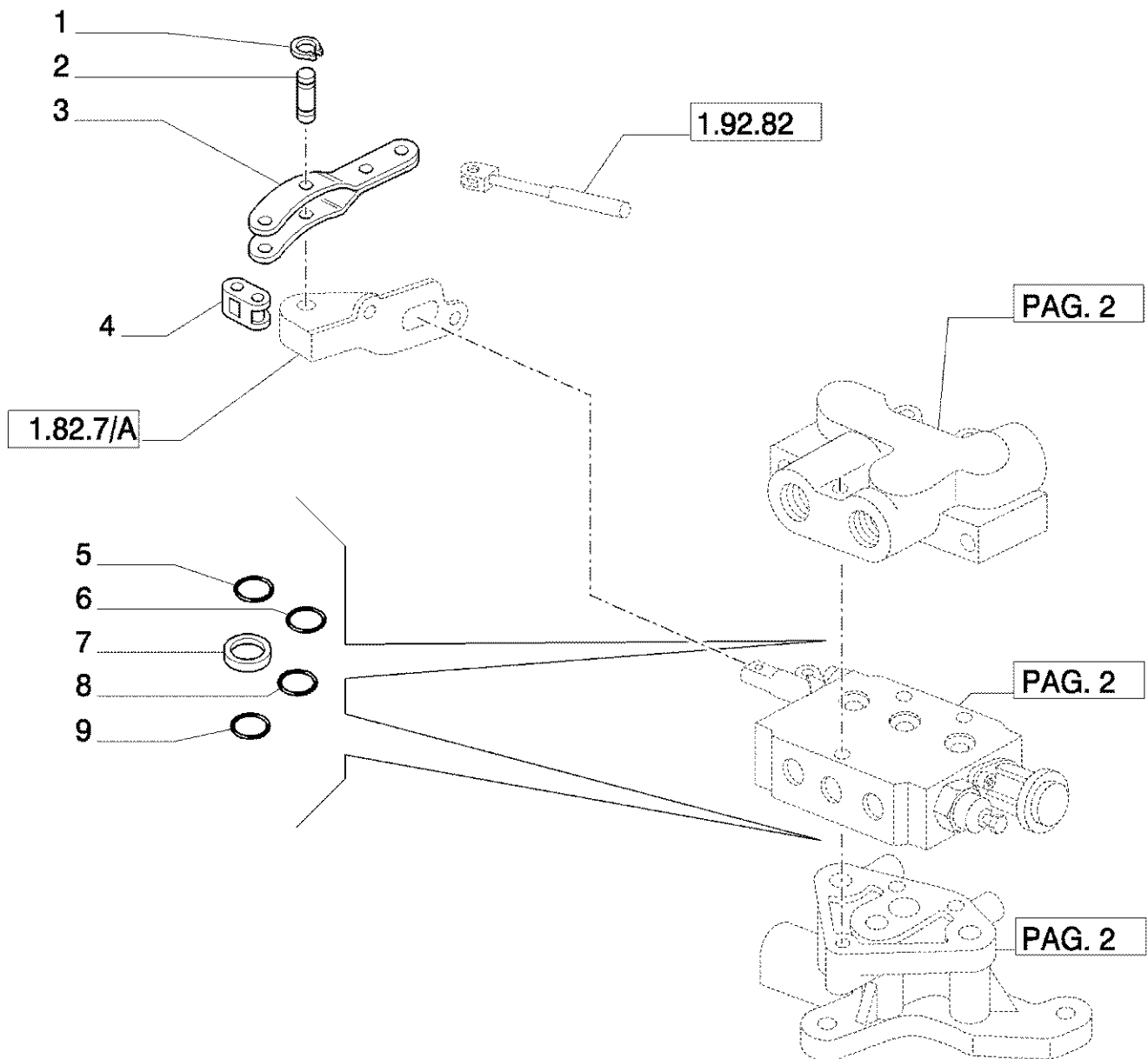
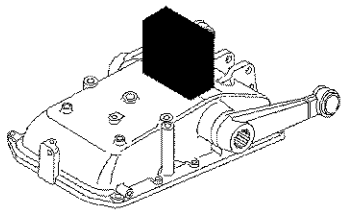
Ref	Onderdeelnummer	Kwt	Beschrijving
1	5178435	1	STEUNBEUGEL,
2	11190574	2	WASHER, SPRING, Belleville, M10.5,
3	15888824	1	BOUT, Hex, M10 x 1.25 x 70, 8.8,
4	15970524	1	BOUT, Hex, M10 x 1.25 x 20, 8.8, Full Thd,
5	12164714	1	MOER, M10 x 1.25, CI 8, M10
6	15540724	1	BOUT, Hex, M12 x 1.25 x 45, 8.8,
7	14437985	2	O-RING, 15.3MM ID x 2.4 Thk,
8	5158364	1	VERBINDING, M22x1.5,7/8-14
9	5173487	1	VASTE BUIS,
10	5186176	2	DICHTRING, D=18
11	5184345	1	VERBINDINGSBOUT,
12	5185533	1	VERBINDING,
13	5135739	2	O-RING, -116, CI 9, .737" ID x .103" Thk, 18.72x2.62
14	5168481	2	VERBINDINGSBOUT, M18
15	14438085	5	O-RING, 19.3MM ID x 2.4 Thk,
16	5179557	2	KOPPELINGSSCHIJF,
17	5101741	2	SNELKOPPELING,
18	5179576	2	PLUG, GREEN
19	15540424	2	BOUT, Hex, M12 x 1.25 x 30, 8.8, Full Thd,
20	13507401	1	SLUITRING, M12 x 20 x 2,

1.82.7(02) VERDEELBOK ENKELVOUDIG DUBBEL EFFECT

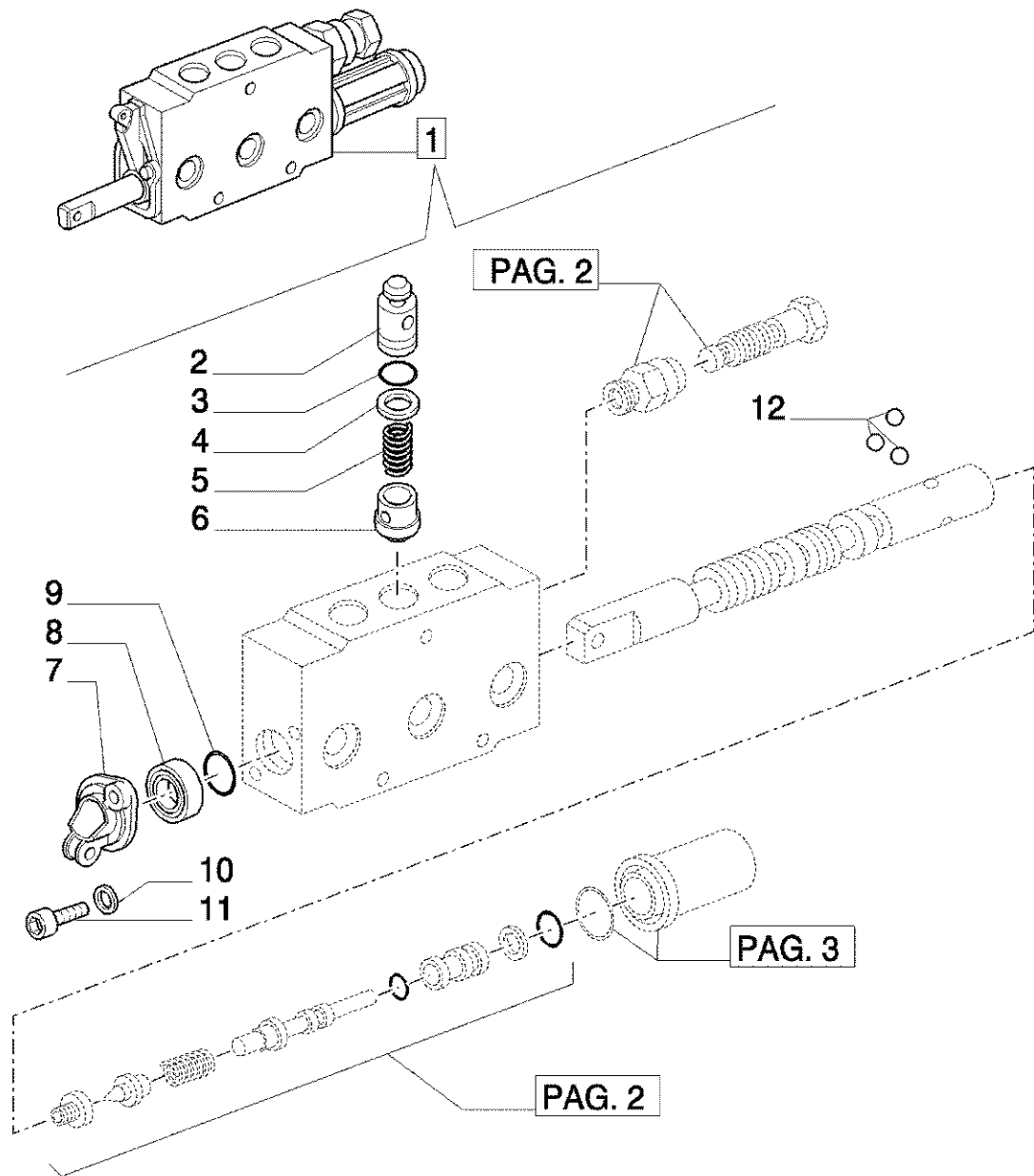
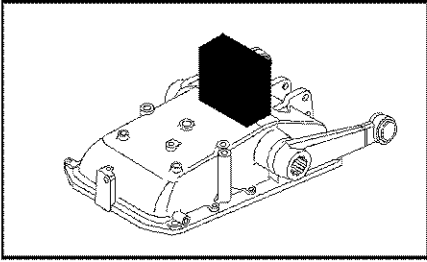


Ref	Onderdeelnummer	Kwt	Beschrijving
1	5116857	6	MOER, 3/8"
2	12648304	3	SLUITRING, M10 x 17 x 1.5, D=10
3	5150104	3	TREKSTANG,
4	5173758	1	STEUN, ASSY
6	5174043	1	VERBINDING,
7	80167266	1	O-RING, .924"x.116"
8	83957506	1	PLUG, 3/4"-14 (B)
9	5176800	1	FLENS,
10	5186278	1	KONTROLEKLEP, ASSY
11	10269650	1	PLUG, M16
5	14438085	1	O-RING, 19.3MM ID x 2.4 Thk,

1.82.7(03) VERDEELBOK ENKELVOUDIG DUBBEL EFFECT

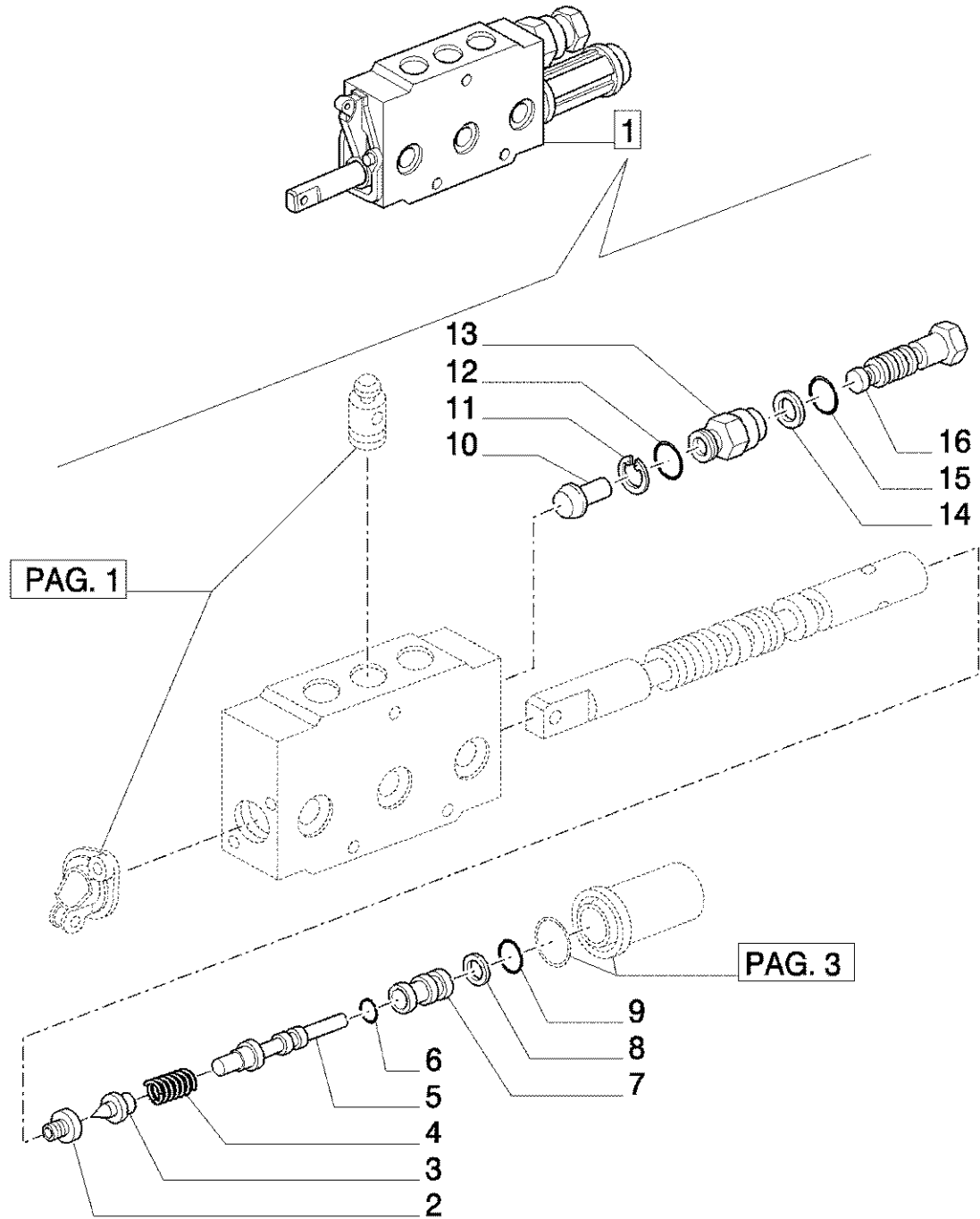
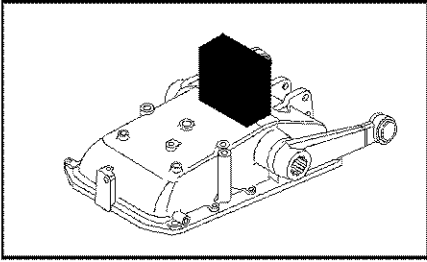


Ref	Onderdeelnummer	Kwt	Beschrijving
1	11087776	1	BORGVEER, M6,
2	5172456	1	PEN,
3	5178877	1	GAFFEL,
4	5116896	1	KETTINGSCHAKEL,
5	5180283	6	BORGVEER, D=18.72
6	5146467	2	RESERVERING, D=19.2
7	5146466	2	RESERVERING, D=24
9	5135739	6	O-RING, -116, CI 9, .737" ID x .103" Thk, 18.72x2.62
8	5146468	2	O-RING, -113, CI 9, .549" ID x .103" Thk, 13.94x2.62



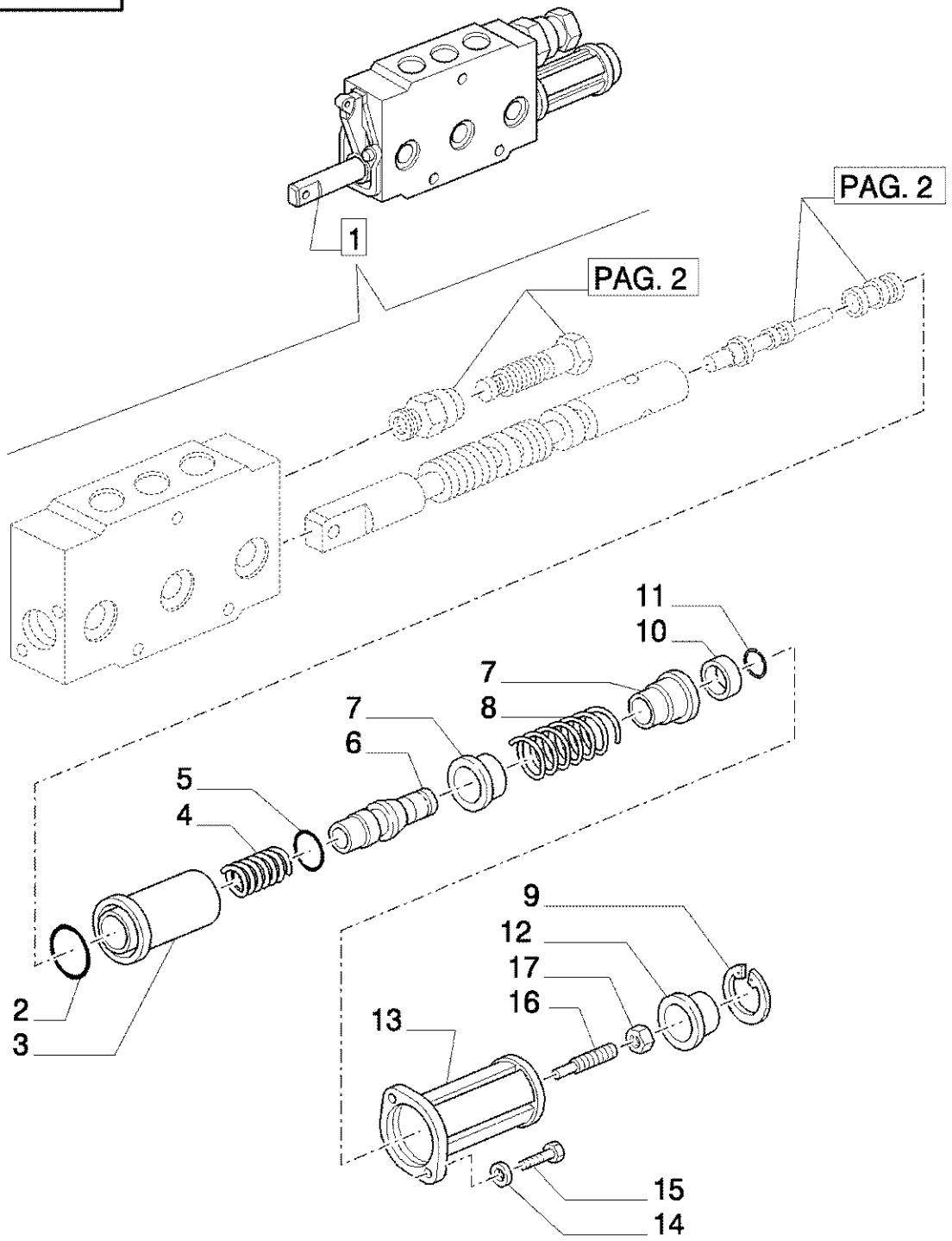
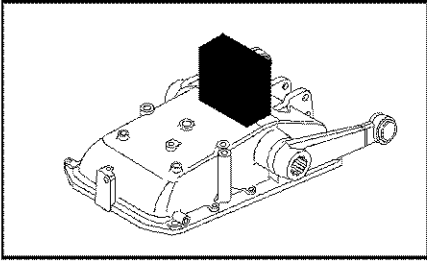
Ref	Onderdeelnummer	Kwt	Beschrijving
1	5186278	1	KONTROLEKLEP, ASSY
2	5135835	1	KLEPGELEIDER,
4	5138508	1	RESERVERING,
5	5116884	1	VEER,
6	5116886	1	PEN,
7	5116887	1	STEUN,
8	5116889	1	OLIESCHRAAPRING,
9	80128359	1	O-RING, -016, 70 Duro, .614" ID x .070" Thk
10	11197774	2	WASHER, SPRING, Belleville, M6.4,
11	5124338	2	SCHROEF,
12	20063420	3	KOGEL,
3	14453081	1	O-RING, -013, CI 7, .426" ID x .070" Thk,

1.82.7/ A(02) VERDEELBOK DUBBEL EFFECT MET FLOAT EN AUTOMATISCH LOSHAKEN - COMPONENTEN

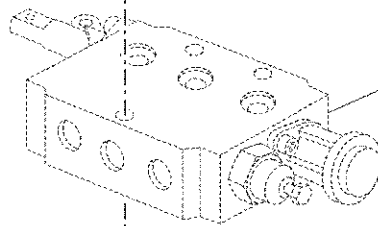
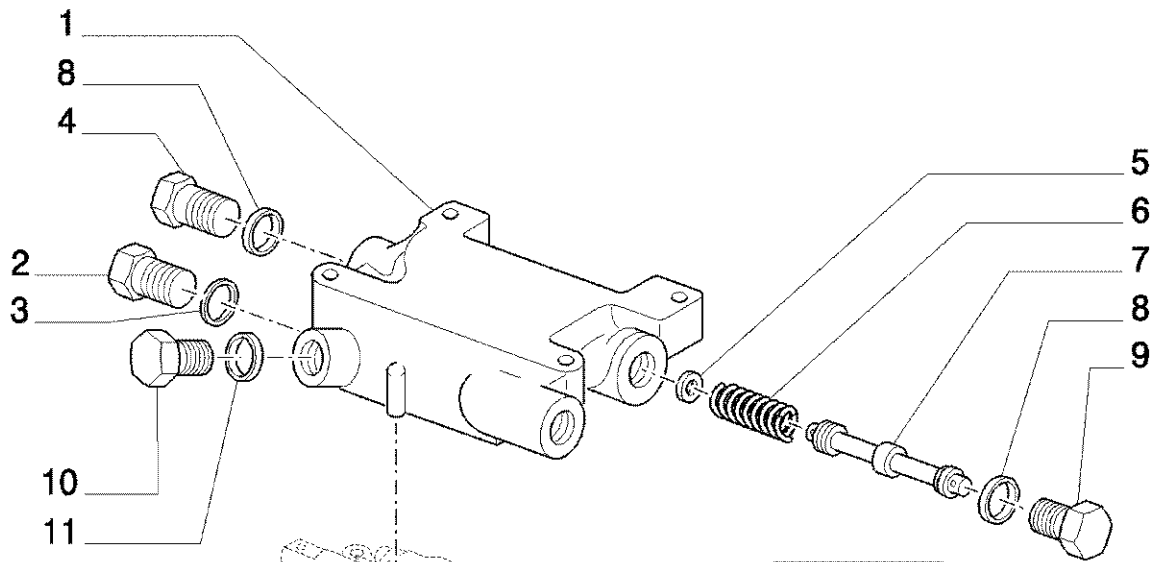
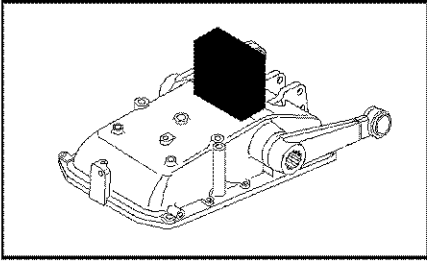


Ref	Onderdeelnummer	Kwt	Beschrijving
1	5186278	1	KONTROLEKLEP, ASSY
2	5143554	1	PLUG,
3	5143555	1	POPPET,
4	5143556	1	VEER,
5	5143557	1	PEN,
6	5143558	1	O-RING, 1.78x2.57
7	5163363	1	LAGERBUS,
8	5143560	1	RING,
9	575094	1	O-RING, 1.78x8.73
10	5136347	1	PEN,
11	87016950	1	RING, SNAP, M7,
12	5135739	1	O-RING, -116, CI 9, .737" ID x .103" Thk, 18.72x2.62
13	5136346	1	LICHAAM,
14	5120771	1	RESERVERING,
15	5120772	1	O-RING, 1.78x6.75
16	5136348	1	PEN,

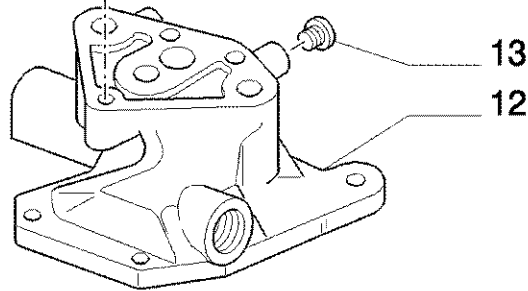
1.82.7/ A(03) VERDEELBOK DUBBEL EFFECT MET FLOAT EN AUTOMATISCH LOSHAKEN - COMPONENTEN



Ref	Onderdeelnummer	Kwt	Beschrijving
1	5186278	1	KONTROLEKLEP, ASSY
2	5135736	1	O-RING, -019, CI 9, .801" ID x .070" Thk, 1.78x20.35
3	5179137	1	LAGERBUS,
4	5143561	1	VEER,
5	80128359	1	O-RING, -016, 70 Duro, .614" ID x .070" Thk
6	5143562	1	PLUG,
7	5143564	2	KOM,
8	5116893	1	VEER,
9	13421276	1	RING, SNAP, M28, Int,
10	5143565	1	AFSTANDSRING,
11	13397776	1	RING, SNAP, M16, Int,
12	5143567	1	DEKSEL,
13	5143566	1	FLENSBEDEKKING,
14	11197774	2	WASHER, SPRING, Belleville, M6.4,
15	5124338	2	SCHROEF,
16	5155484	1	AFSTELSCHROEF,
17	86509265	1	MOER, M5, CI 10,

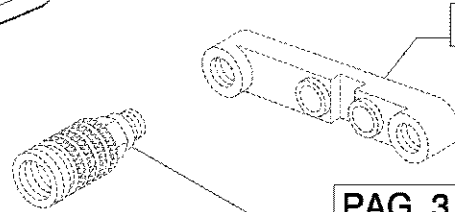


PAG. 2



13

12

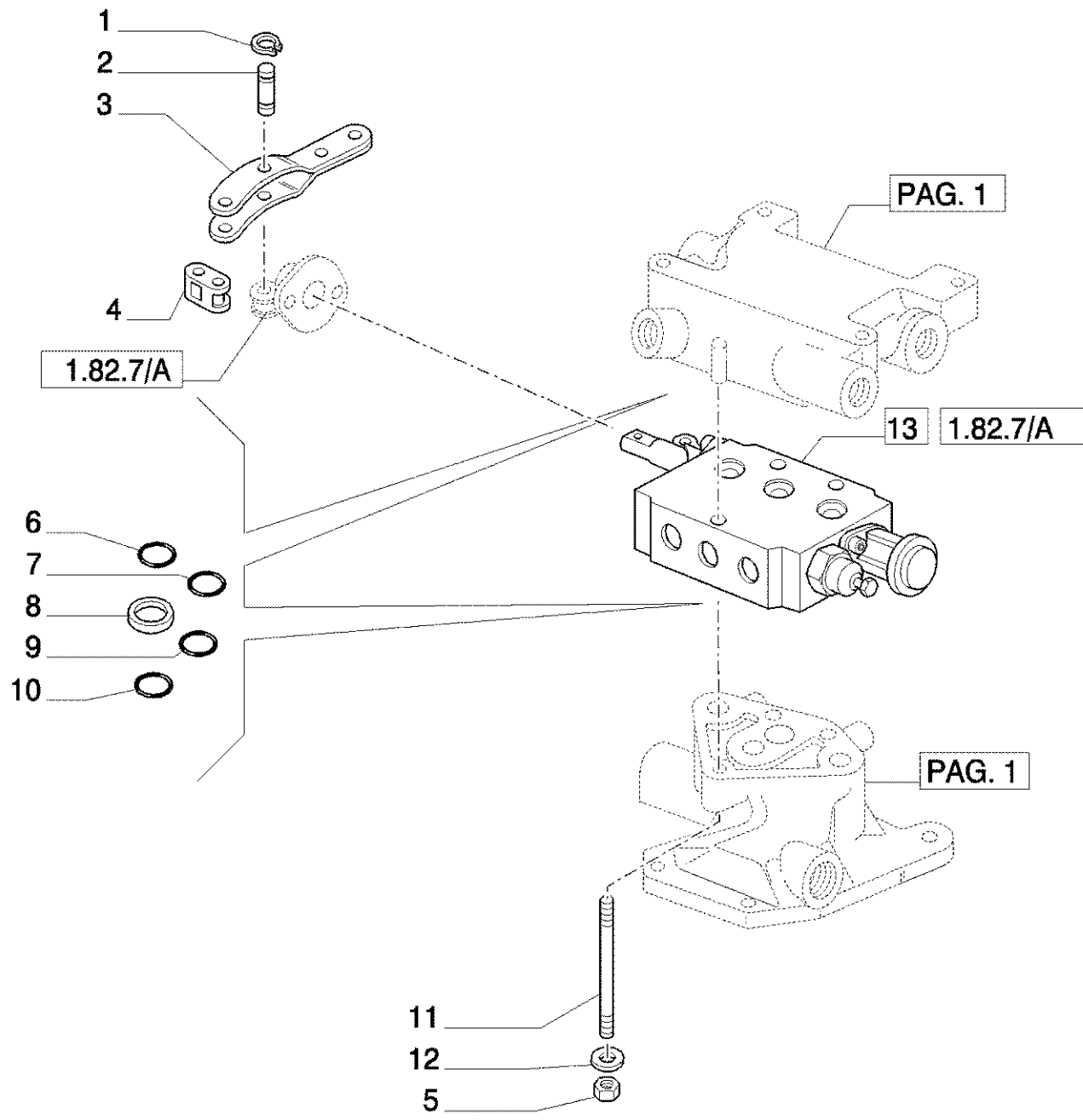
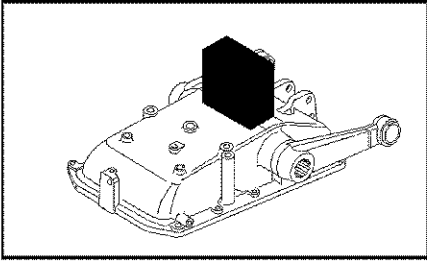


PAG. 3

PAG. 3



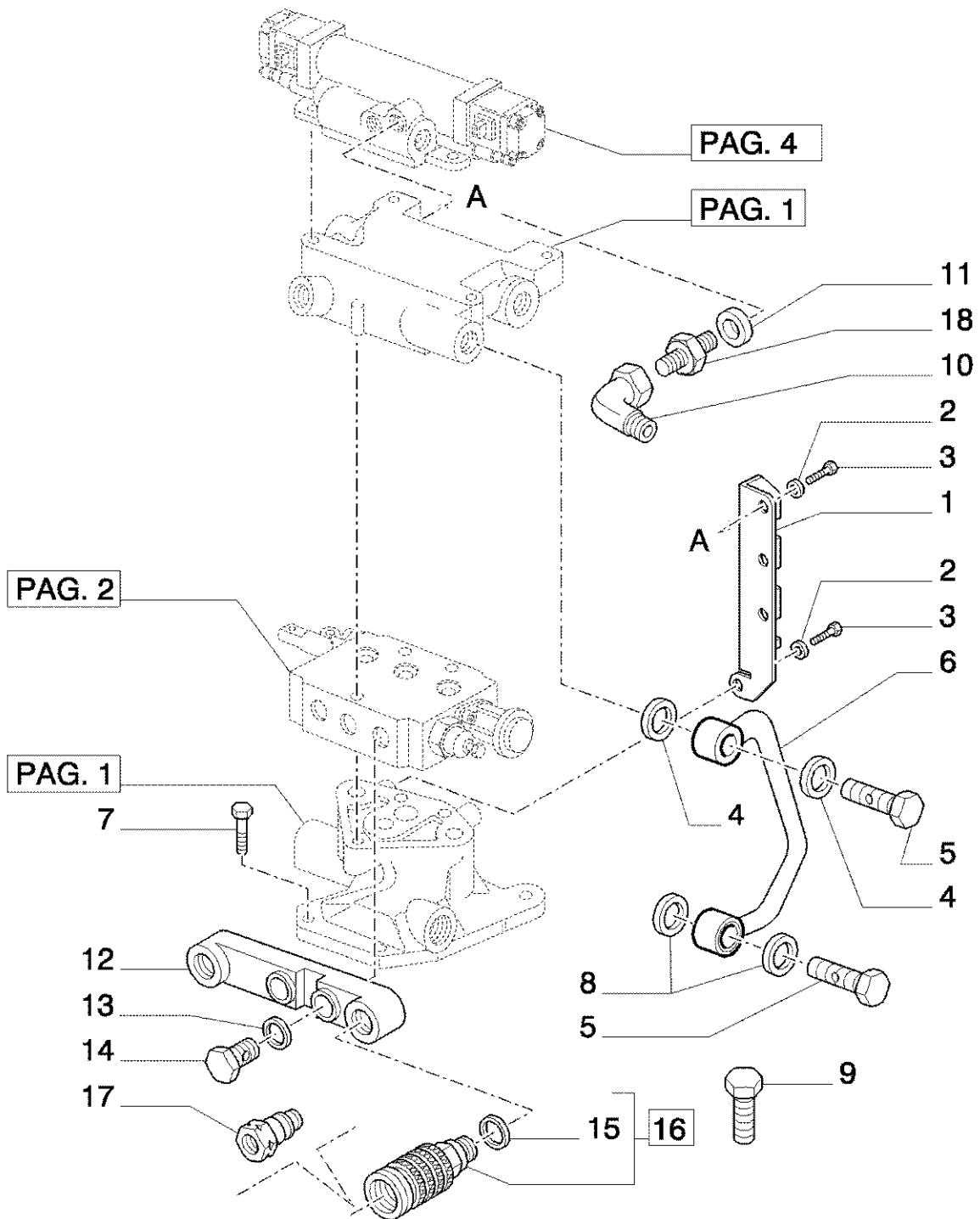
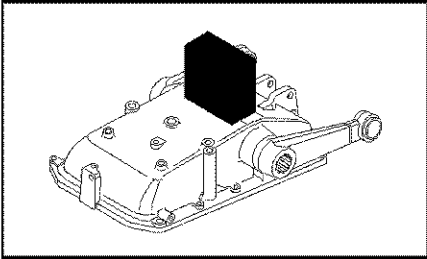
Ref	Onderdeelnummer	Kwt	Beschrijving
1	5173961	1	FLENS, INCL.REF.2-11
2	10300511	1	PLUG, M12 x 1.25 x 12, CI5.8,
3	4858607	1	WASHER, COPPER,
4	5173857	1	PLUG,
5	5167122	1	THROTTLE,
6	83948862	1	VEER,
7	83999793	1	KLEP, HYDRAULISCH,
9	5167123	1	PLUG,
10	83957506	1	PLUG, 3/4"-14 (B)
11	80167266	1	O-RING, 90 Duro, .924" IDx .116" Thk
12	5176480	1	FLENS,
13	10269650	1	PLUG, M16x1.5
8	14438185	1	O-RING, 24MM ID x 3.0 Thk,



360 KOMPAKT TRACTOR (4/03-) - Hydraulisch Systeem

1.82.7/01(02) (VAR.126-127) ELEKTRONISCH HIJSTOESTEL - RINGEN

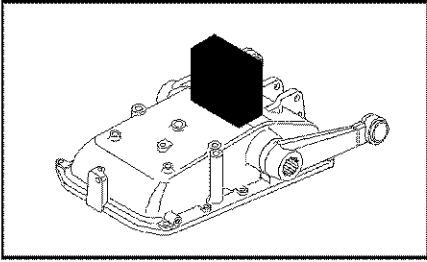
Ref	Onderdeelnummer	Kwt	Beschrijving
1	11087776	1	BORGVEER, M6,
2	5172456	1	PEN,
3	5178877	1	GAFFEL,
4	5116896	1	KETTINGSCHAKEL,
5	5116857	3	MOER, 3/8"
6	5146466	3	RESERVERING, D=24
7	5146467	6	RESERVERING, D=19,2
9	5135739	9	O-RING, -116, CI 9, .737" ID x .103" Thk, M18.72 IDx2.62 Thk
10	5180283	9	BORGVEER, D=18,72
11	47129213	3	TREKSTANG,
12	12648304	3	SLUITRING, M10 x 17 x 1.5,
13	5186278	1	KONTROLEKLEP, ASSY
8	5146468	3	O-RING, -113, CI 9, .549" ID x .103" Thk, M13.94 IDx2.62 Thk



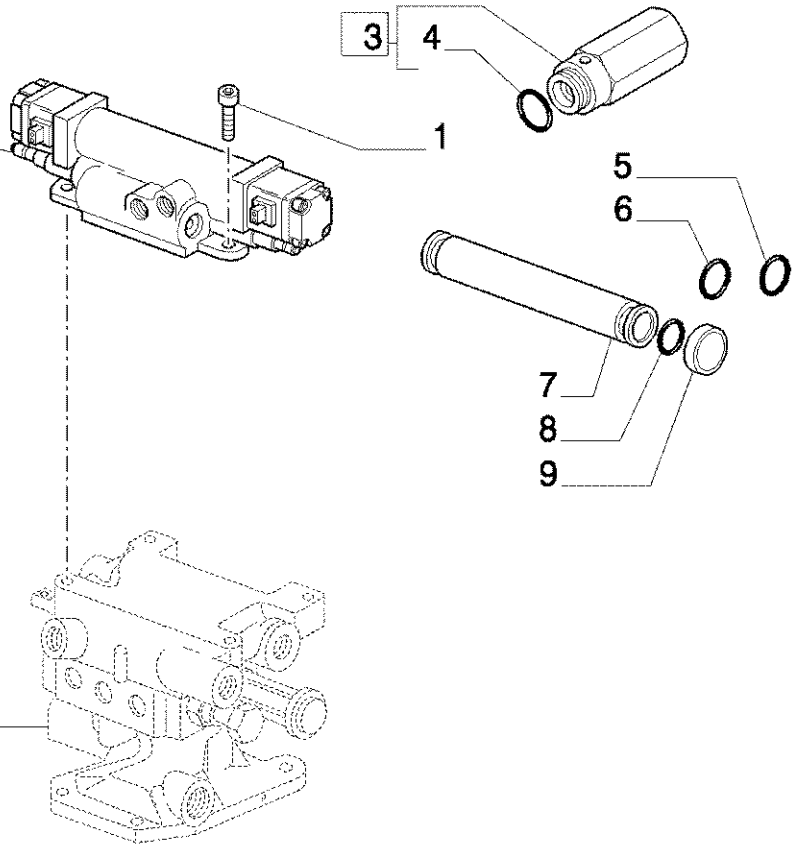
360 KOMPAKT TRACTOR (4/03-) - Hydraulisch Systeem

1.82.7/01(03) (VAR.126-127) ELEKTRONISCH HIJSTOESTEL - SNELLE AANSLUITING

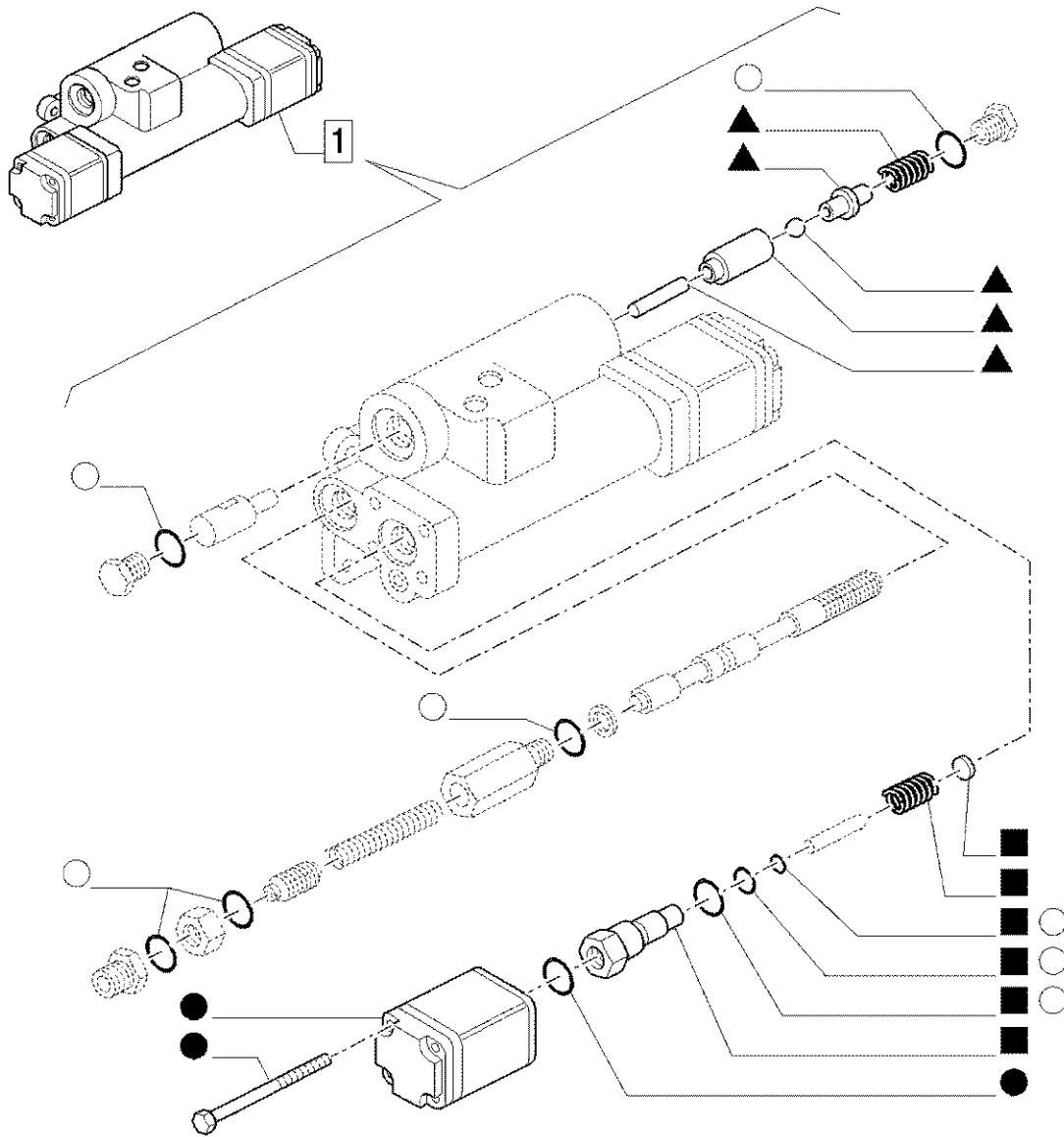
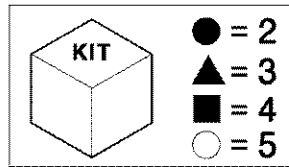
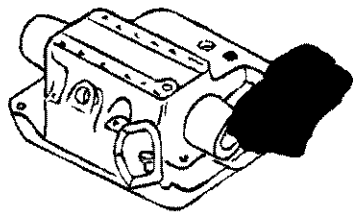
Ref	Onderdeelnummer	Kwt	Beschrijving
1	5178435	1	STEUNBEUGEL,
2	11190574	2	WASHER, SPRING, Belleville, M10.5,
3	15970524	2	BOUT, Hex, M10 x 1.25 x 20, 8.8, Full Thd,
4	5186176	4	DICHTRING, D=18
5	5184345	2	VERBINDINGSBOUT, M18
6	47131237	1	VASTE BUIS, UNLOAD
7	16043824	5	BOUT, Hex, M8 x 30, 8.8, Full Thd,
8	14437985	4	O-RING, 15.3MM ID x 2.4 Thk,
9	15540424	2	BOUT, Hex, M12 x 1.25 x 30, 8.8, Full Thd,
9	16290124	1	SCHROEF, M12x1.25x45
10	86513593	1	ELLEBOOG, 90°, 1/2"-20, 37° x 1/2"-20, 37° Fem Sw,
11	80165202	3	O-RING, .351" IDx .072" Thk
12	5185533	1	VERBINDING,
13	5135739	2	O-RING, -116, CI 9, .737" ID x .103" Thk, 18.72 IDx2.62 Thk
14	5168481	2	VERBINDINGSBOUT, M18
15	14438085	2	O-RING, 19.3MM ID x 2.4 Thk,
16	5179557	2	KOPPELINGSSCHIJF,
17	5174040	1	VASTE BUIS,
18	82002503	1	VERBINDING, 1/2"-20
19	80216773	1	ELLEBOOG, 1/4 37



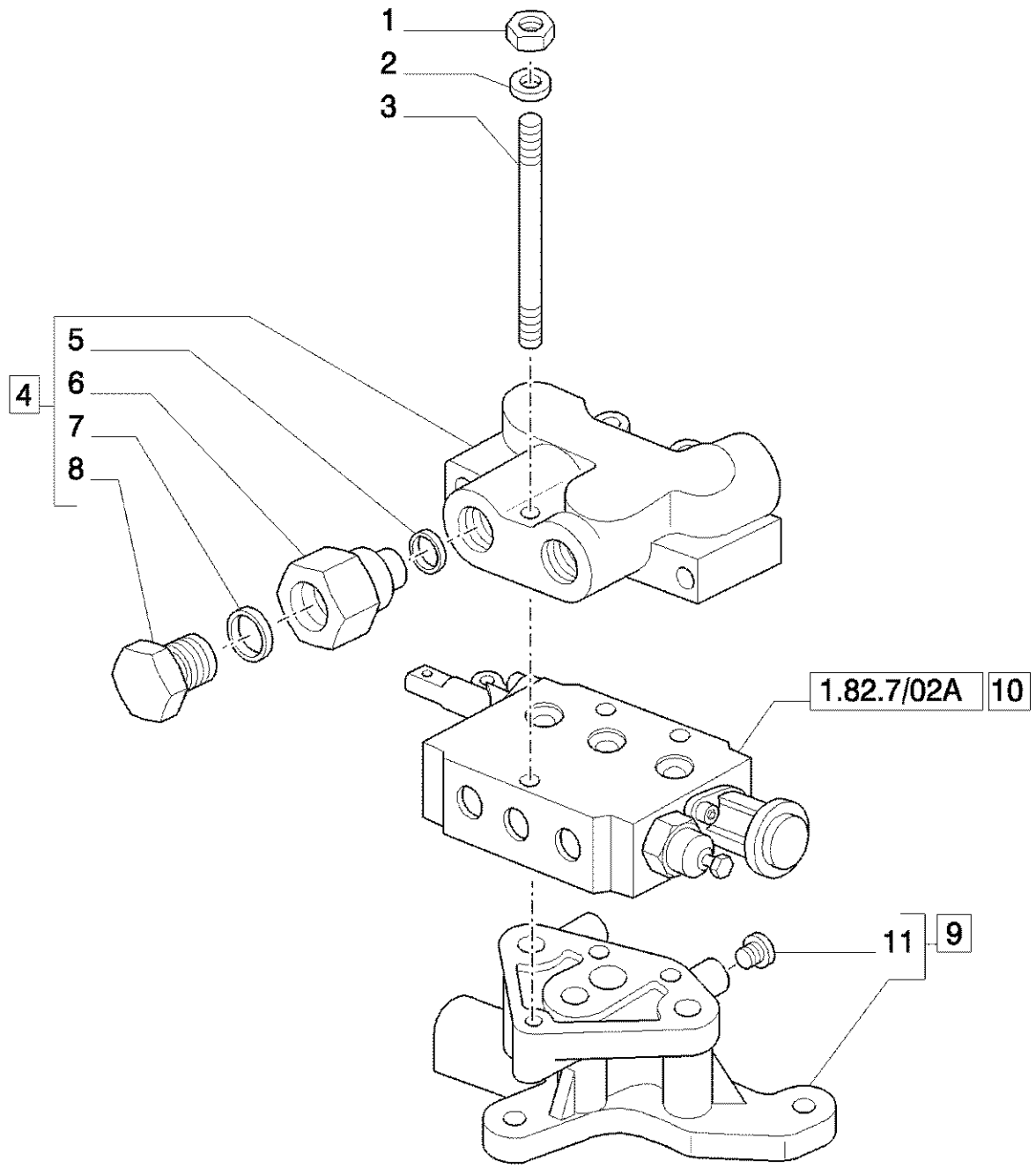
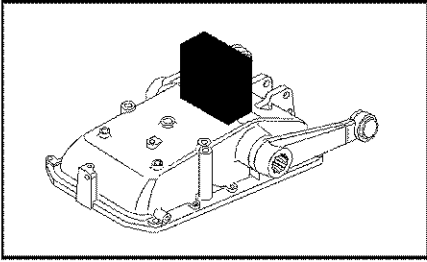
2 1.82.7/01A



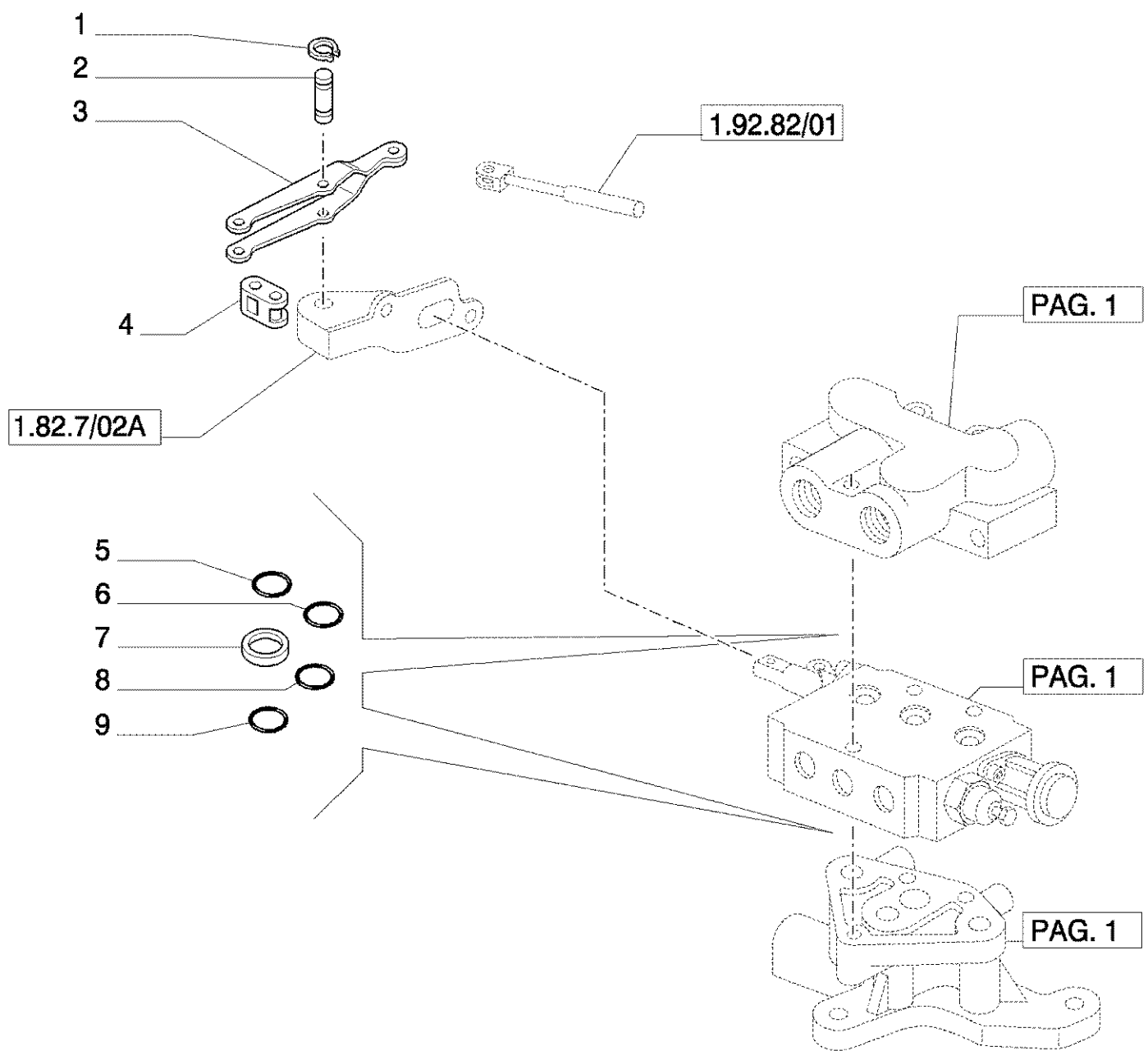
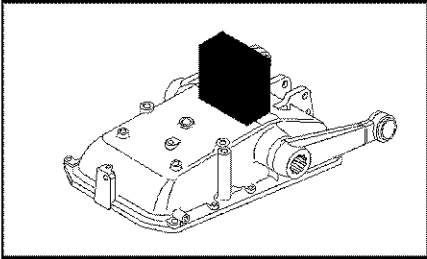
Ref	Onderdeelnummer	Kwt	Beschrijving
1	81864028	4	SCHROEF, 7/16-14x1"
2	82011395	1	KLEP, HYDRAULISCH, ASSY
3	5117739	1	OVERDRUKVENTIEL,
4	5135738	1	O-RING, -115, CI 9, .674" ID x .103" Thk, 2.62x17.12
5	83949068	1	O-RING, 1.812" IDx .103" Thk
6	83900127	2	O-RING, .500" IDx .103" Thk
7	5176630	1	VERBINDING,
8	14457281	2	O-RING, -114, CI 7, .612" ID x .103" Thk, (M15.54 ID x 2.62 Thk)
9	4958830	2	RESERVERING,



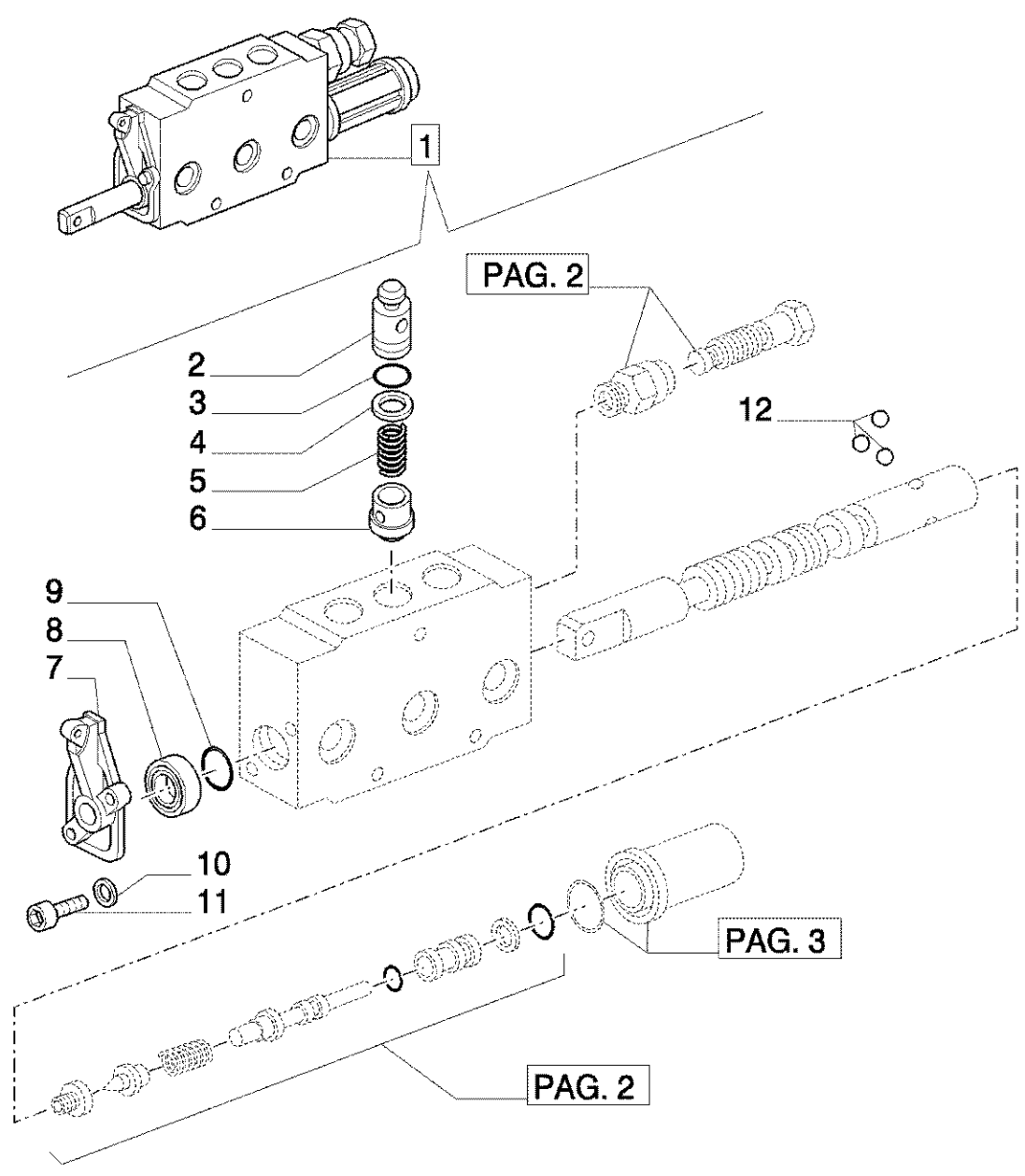
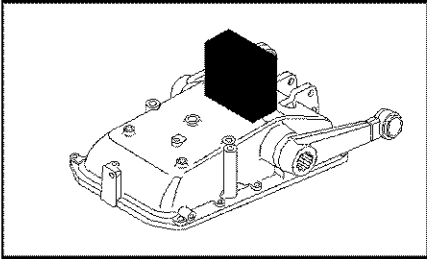
Ref	Onderdeelnummer	Kwt	Beschrijving
1	82011395	1	KLEP, HYDRAULISCH, ASSY
2	82012223	1	SOLENOIDE, LOWER, with black connector
2	82012258	1	SOLENOIDE, RAISE, with red connector
3	83996684	1	KLEP, HYDRAULISCH, POPPET
4	83996695	1	KIT, PILOT
5	83996689	1	DICHTINGSKIT,



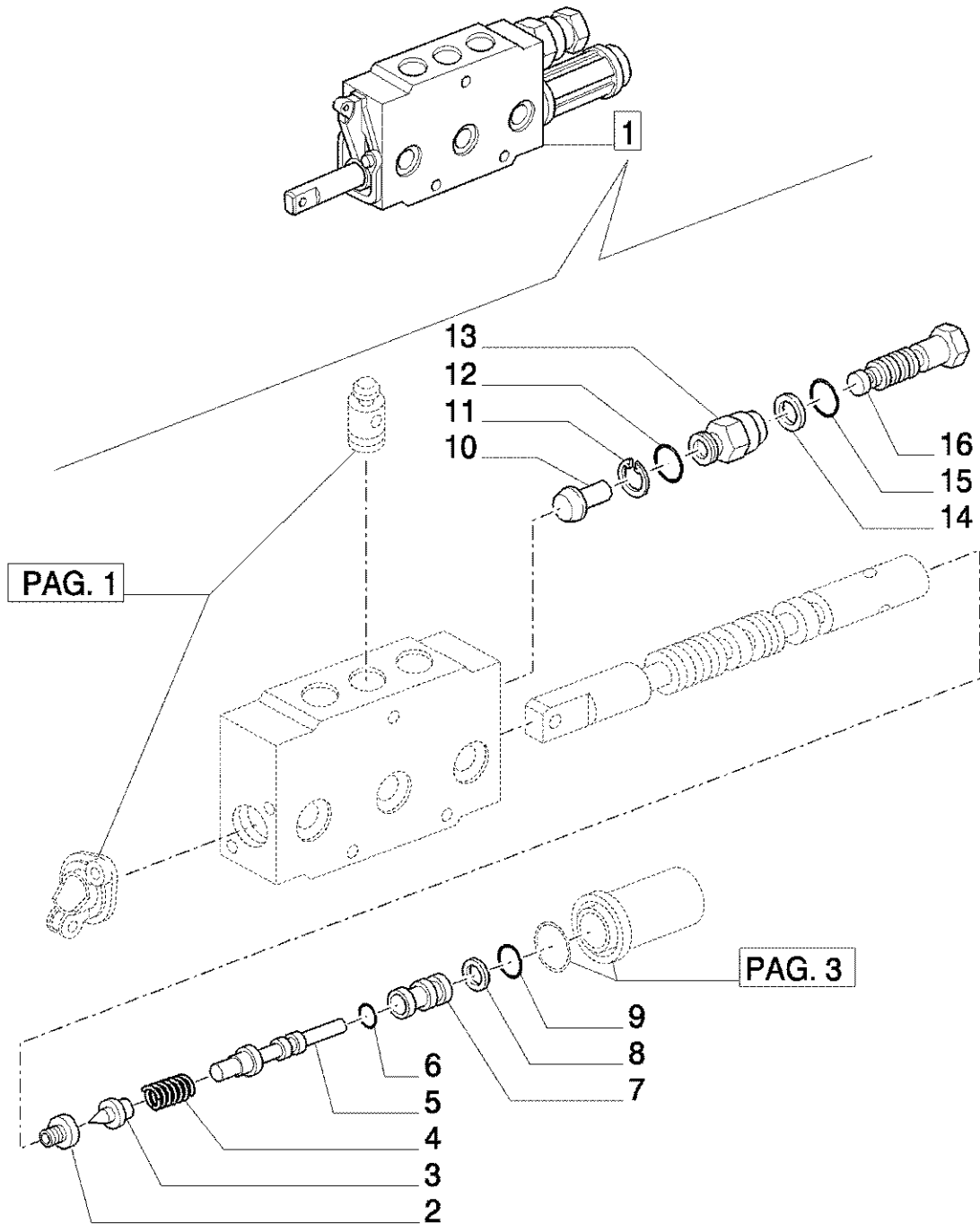
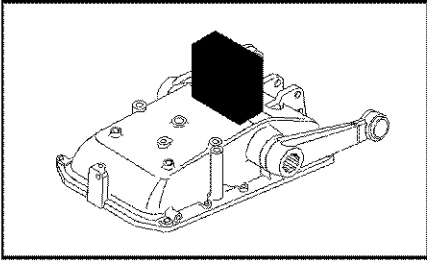
Ref	Onderdeelnummer	Kwt	Beschrijving
1	5116857	6	MOER, 3/8"
2	12648304	3	SLUITRING, M10 x 17 x 1.5,
3	5150104	3	TREKSTANG,
4	5173758	1	STEUN, ASSY
6	5174043	1	VERBINDING,
7	80167266	1	O-RING, 90 DURO, .924" ID X .116" THK
8	83957506	1	PLUG, 3/4"-14 (B)
9	5176800	1	FLENS,
10	47129231	1	KONTROLEKLEP, ASSY
11	10269601	1	PLUG, M16
5	14438085	1	O-RING, 19.3MM ID x 2.4 Thk,



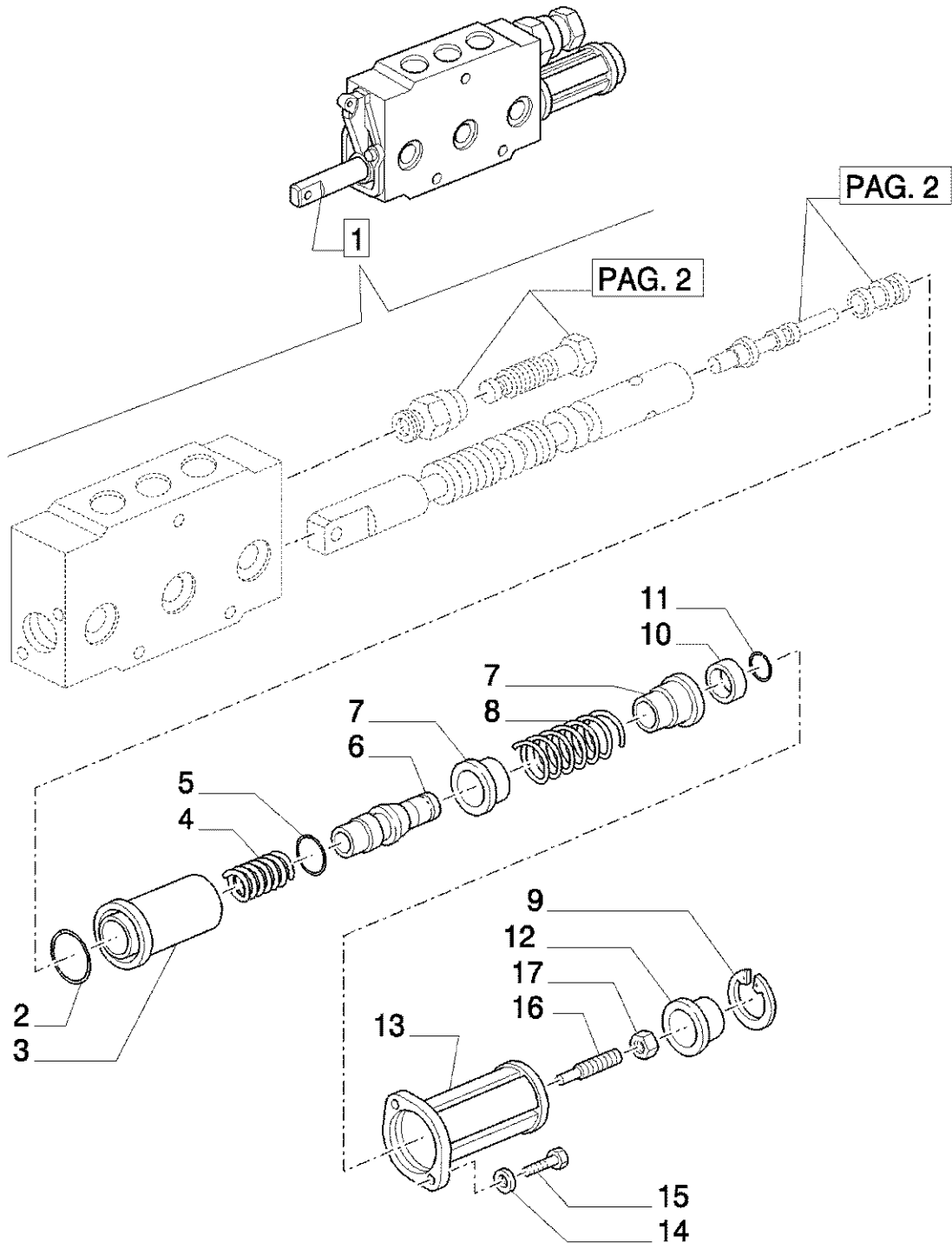
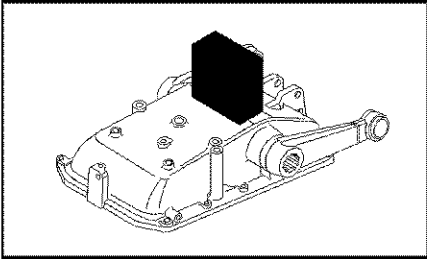
Ref	Onderdeelnummer	Kwt	Beschrijving
1	11087776	1	BORGVEER, M6,
2	5172456	1	PEN,
3	5178183	1	GAFFEL,
4	5116896	1	KETTINGSCHAKEL,
5	5180283	6	BORGVEER, DIA.MM.18.72
6	5146467	2	RESERVERING, DIA.MM.19.2
7	5146466	2	RESERVERING, DIA.MM.24
9	5135739	6	O-RING, -116, CI 9, .737" ID x .103" Thk, 18.72x2.62
8	5146468	2	O-RING, -113, CI 9, .549" ID x .103" Thk, 13.94x2.62



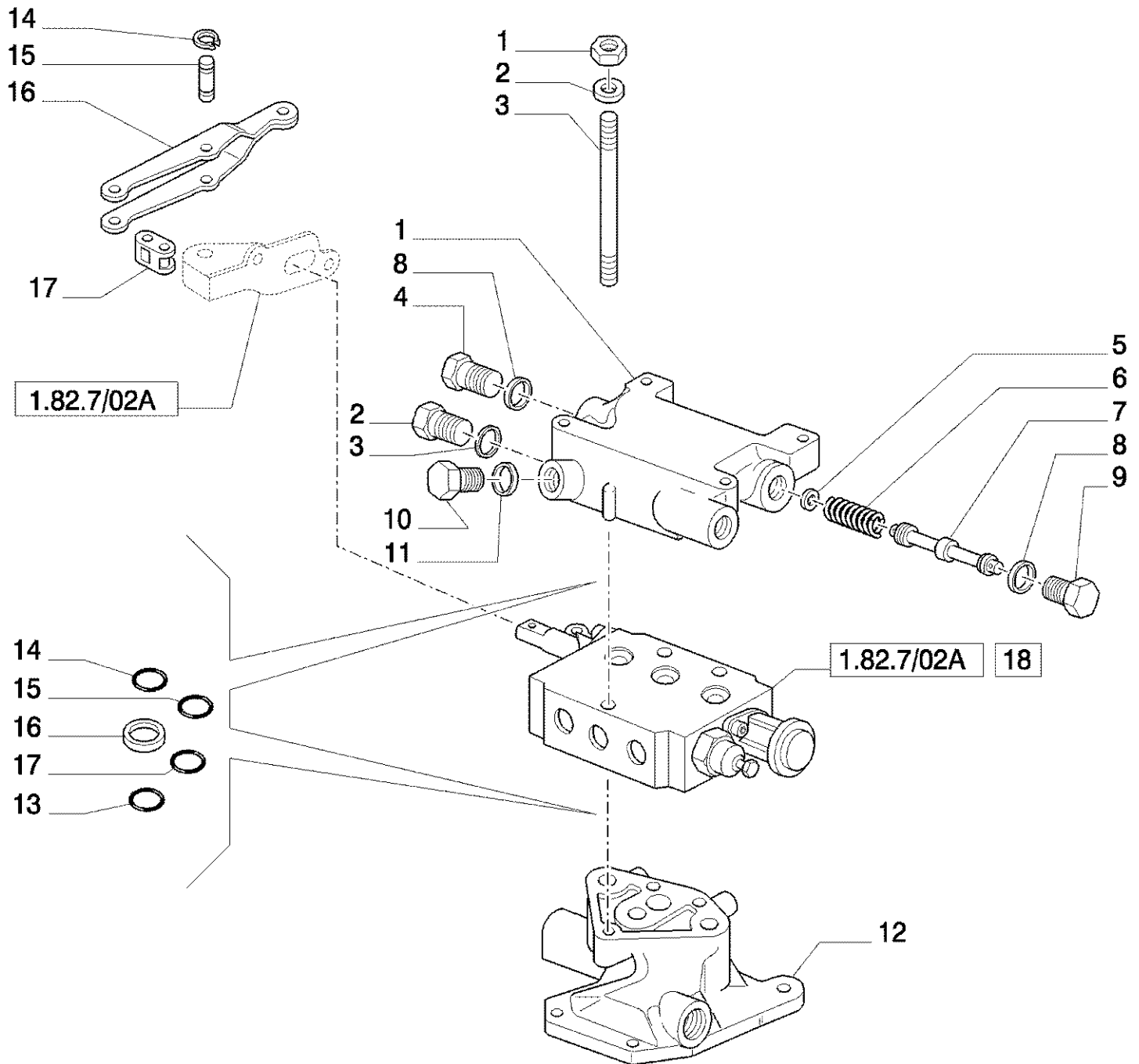
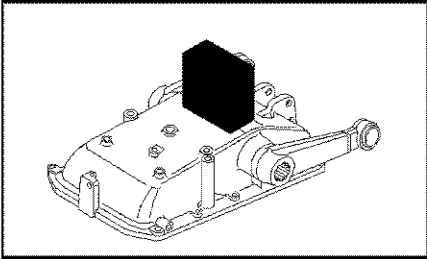
Ref	Onderdeelnummer	Kwt	Beschrijving
1	47129231	1	KONTROLEKLEP, ASSY
2	5135835	1	KLEPGELEIDER,
4	5138508	1	RESERVERING,
5	5116884	1	VEER,
6	5116886	1	PEN,
7	5172326	1	STEUN,
8	5116889	1	OLIESCHRAAPRING,
9	5135734	1	O-RING, -016, CI 9, .614" ID x .070" Thk, 1.78x15.60
10	11197774	2	WASHER, SPRING, Belleville, M6.4,
11	5124338	2	SCHROEF,
12	20063420	3	KOGEL,
3	5135732	1	O-RING, -013, CI 9, .426" ID x .070" Thk, 90 DURO, .414" ID X .072" THK



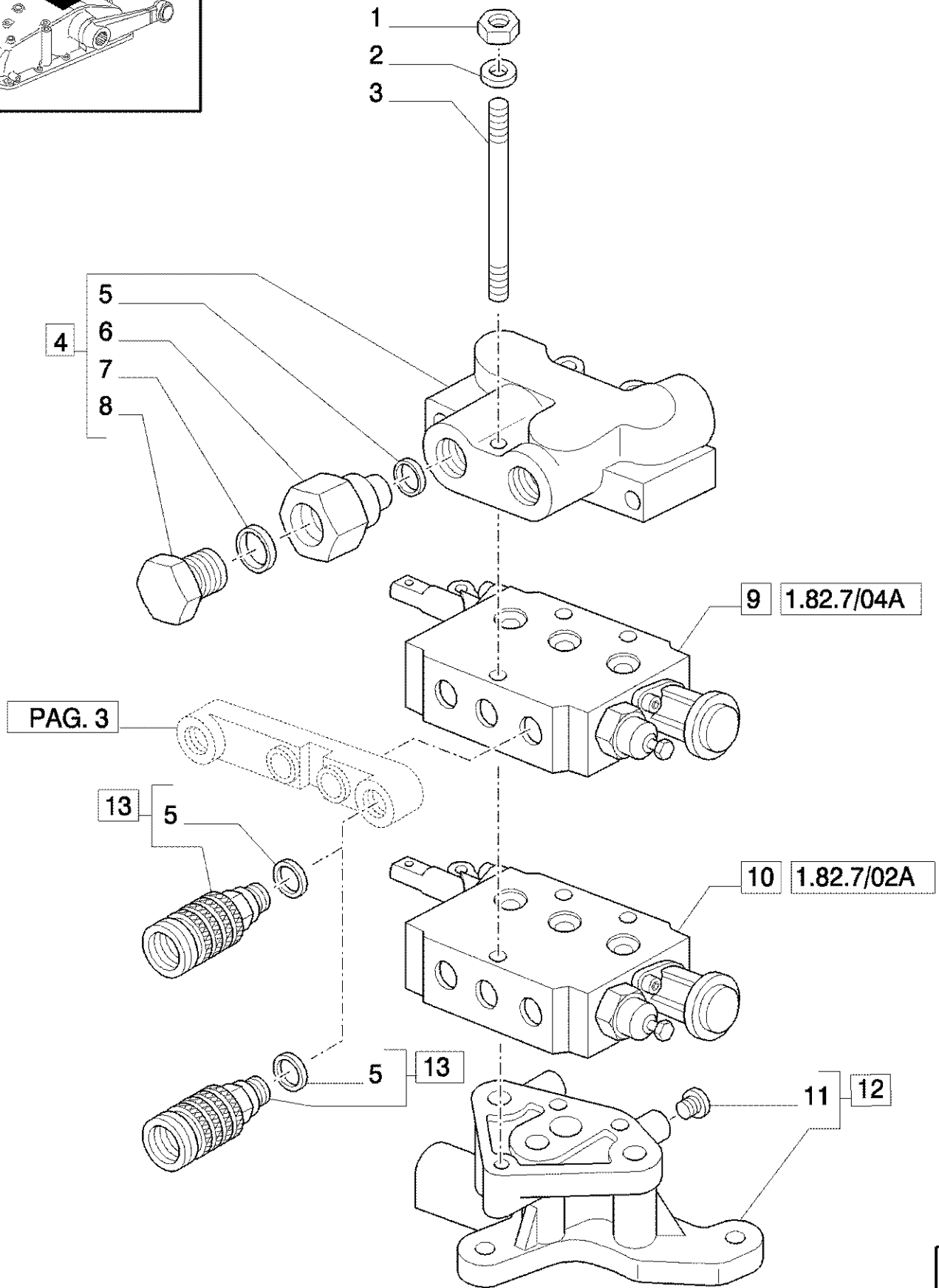
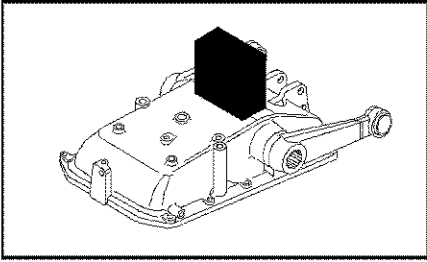
Ref	Onderdeelnummer	Kwt	Beschrijving
1	47129231	1	KONTROLEKLEP, ASSY
2	5143554	1	PLUG,
3	5143555	1	POPPET,
4	5143556	1	VEER,
5	5143557	1	PEN,
6	5143558	1	O-RING, 1.78x2.57
7	5163363	1	LAGERBUS,
8	5143560	1	RING,
9	575094	1	O-RING, 1.78x8.73
10	5136347	1	PEN,
11	11087871	1	BORGVEER, M7,
12	5135739	1	O-RING, -116, CI 9, .737" ID x .103" Thk, M18.72 ID X 2.62 THK
13	5136346	1	LICHAAM,
14	5120771	1	RESERVERING,
15	5120772	1	O-RING, 1.78x6.75
16	5136348	1	PEN,



Ref	Onderdeelnummer	Kwt	Beschrijving
1	47129231	1	KONTROLEKLEP, ASSY
2	5135736	1	O-RING, -019, CI 9, .801" ID x .070" Thk, 1.78x20.35
3	5179137	1	LAGERBUS,
4	5143561	1	VEER,
5	5135734	1	O-RING, -016, CI 9, .614" ID x .070" Thk, 1.78x15.60
6	5143562	1	PLUG,
7	5143564	2	KOM,
8	5116893	1	VEER,
9	13421276	1	RING, SNAP, M28, Int,
10	5143565	1	AFSTANDSRING,
11	13397776	1	RING, SNAP, M16, Int,
12	5143567	1	DEKSEL,
13	5143566	1	FLENSBEDEKKING,
14	11197774	2	WASHER, SPRING, Belleville, M6.4,
15	5124338	2	SCHROEF,
16	5155484	1	AFSTELSCHROEF,
17	15896421	1	MOER, M5, CI 10,



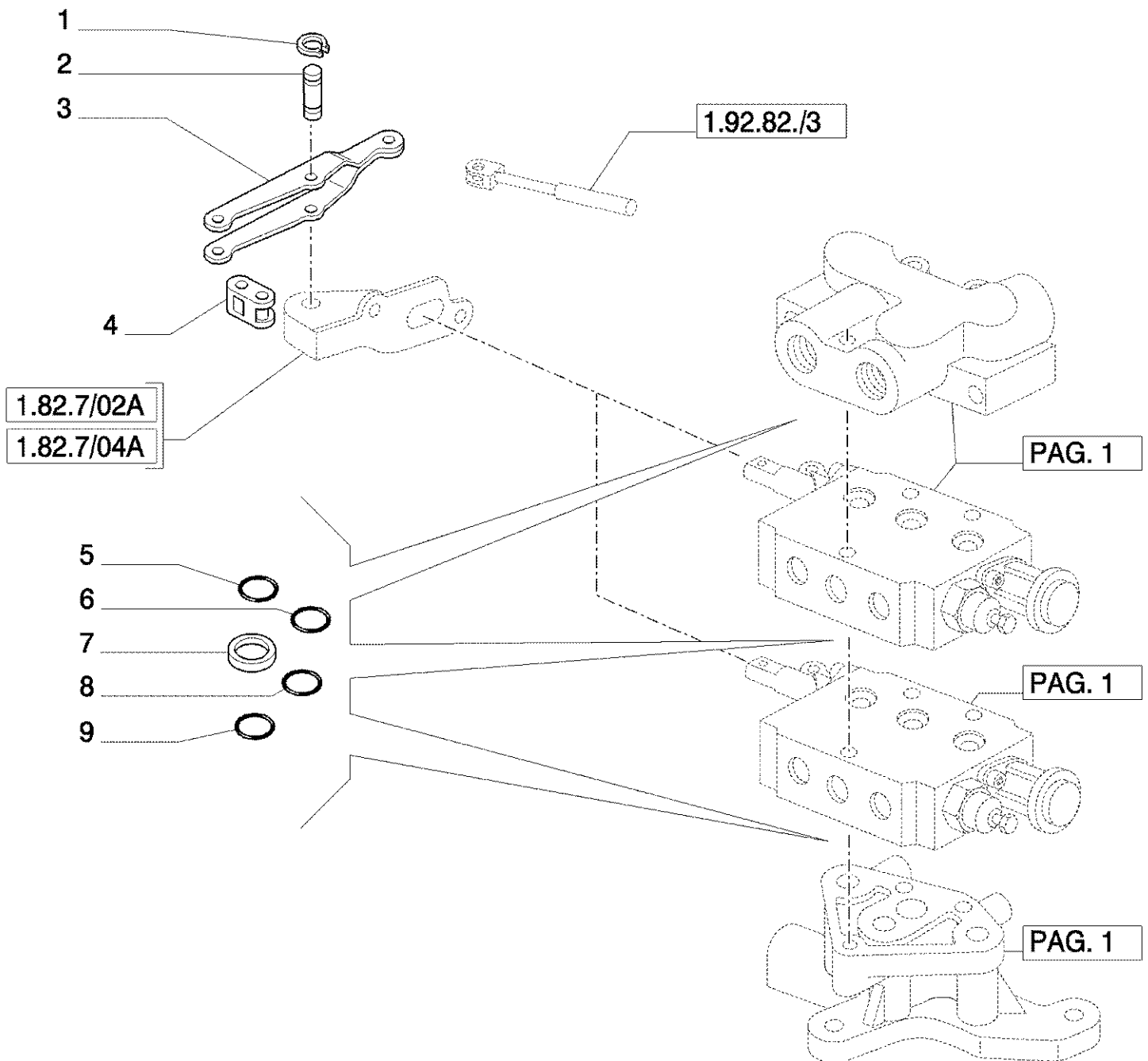
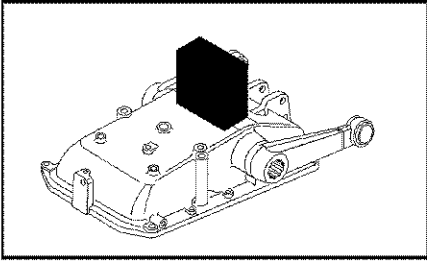
Ref	Onderdeelnummer	Kwt	Beschrijving
1	5173961	1	FLENS, INCL. REF. FROM 2 TO 11
2	10300511	1	PLUG, M12 x 1.25 x 12, CI5.8,
3	4858607	1	WASHER, COPPER,
4	5173857	1	PLUG,
5	5167122	1	THROTTLE,
6	83948862	1	VEER,
7	83999793	1	KLEP, HYDRAULISCH,
9	5167123	1	PLUG,
10	83957506	1	PLUG,
11	80167266	1	O-RING, 12
12	5176480	1	FLENS, 13
13	5135739	6	O-RING, -116, CI 9, .737" ID x .103" Thk, M18.72 ID X 2.62 THK
14	5180283	6	BORGVEER, D=18.72MM
14	11087776	1	BORGVEER, M6,
15	5146467	2	RESERVERING, D=19.2MM
15	5172456	1	PEN,
16	5146466	2	RESERVERING, D=24MM
16	5178183	1	GAFFEL,
17	5116896	1	KETTINGSCHAKEL,
18	47129231	1	KONTROLEKLEP,
8	14438185	1	O-RING, 24MM ID x 3.0 Thk,
17	5146468	2	O-RING, -113, CI 9, .549" ID x .103" Thk, M18.72 ID X 2.62 THK



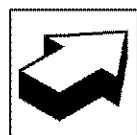
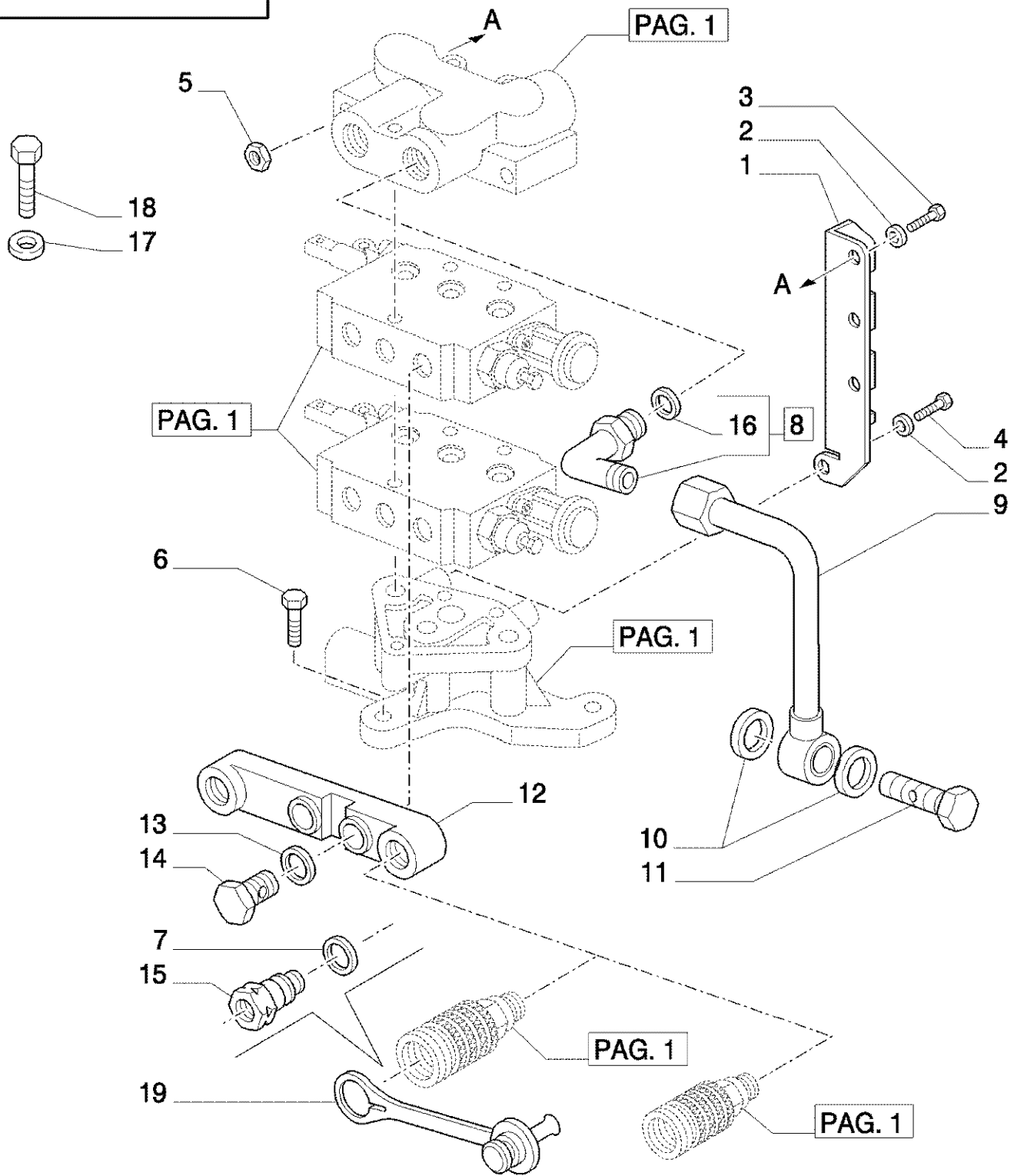
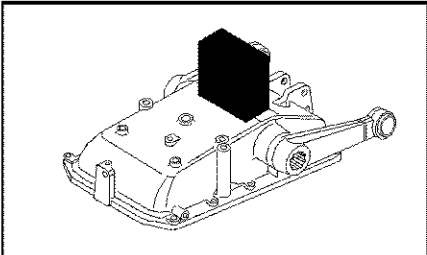
360 KOMPAKT TRACTOR (4/03-) - Hydraulisch Systeem

1.82.7/04(01) (VAR.027) 2 VERDEELBOKKEN VOOR MID-MOUNT MN EDC - VEREELBOKKEN

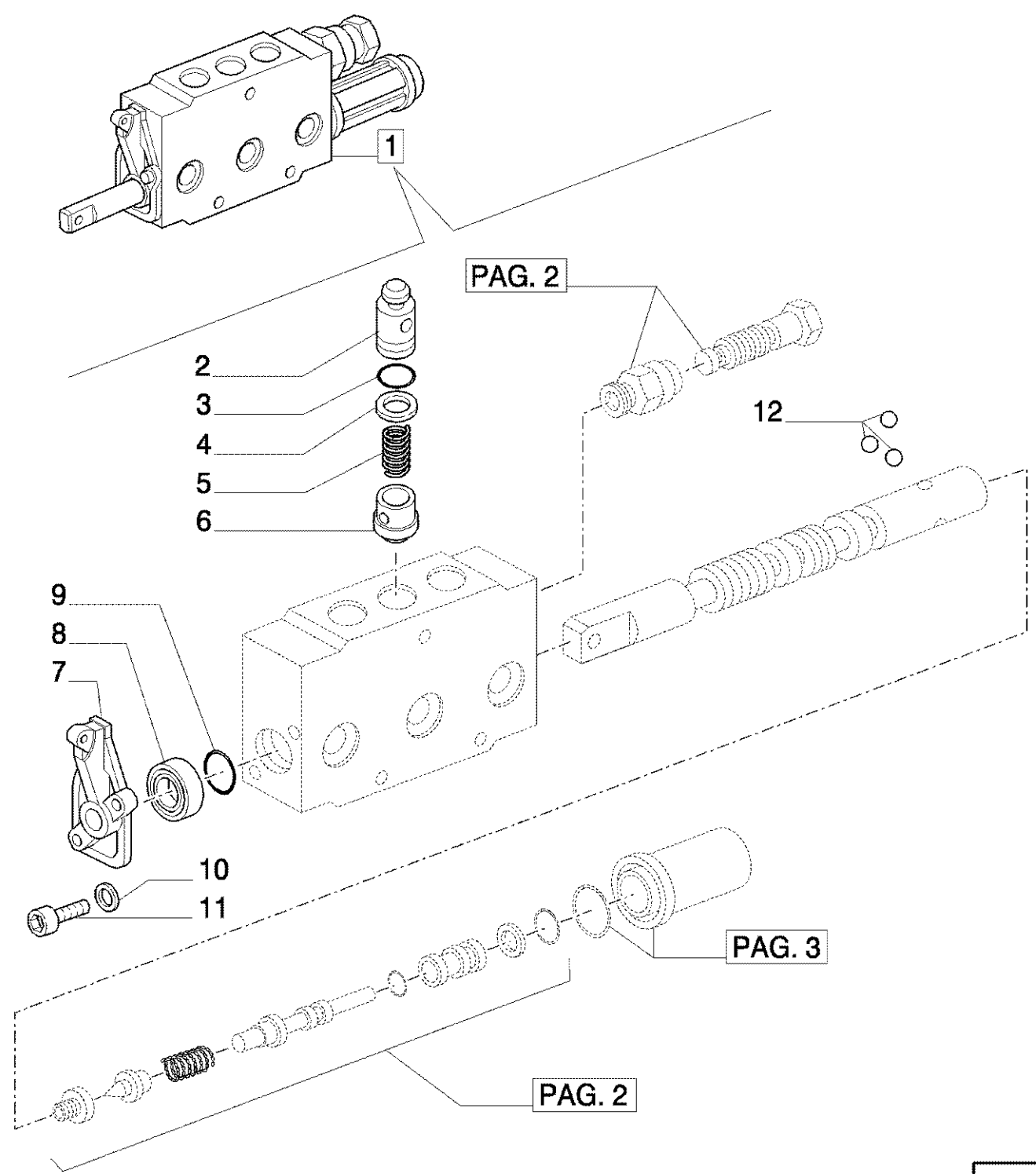
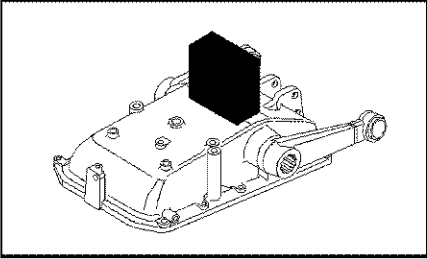
Ref	Onderdeelnummer	Kwt	Beschrijving
1	5116857	6	MOER, 3/8"
2	12648304	3	SLUITRING, M10 x 17 x 1.5, DIA.MM.10
3	5151506	3	TREKSTANG,
4	5173758	1	STEUN, ASSY
6	5174043	1	VERBINDING,
7	80167266	1	O-RING, 90 DURO, .924" ID X .116" THK
8	83957506	1	PLUG, 3/4"-14 (B)
9	5171281	1	KONTROLEKLEP, ASSY
10	47129231	1	KONTROLEKLEP, ASSY
11	10269650	1	PLUG, M16
12	5176800	1	FLENS,
13	5179557	AR	KOPPELINGSSCHIJF, STND.
5	14438085	AR	O-RING, 19.3MM ID x 2.4 Thk,



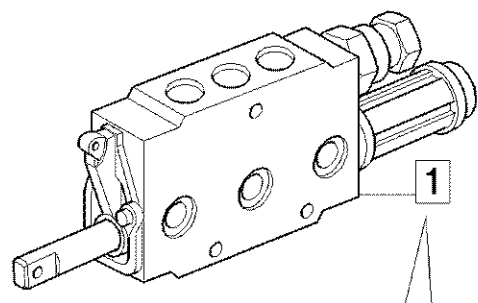
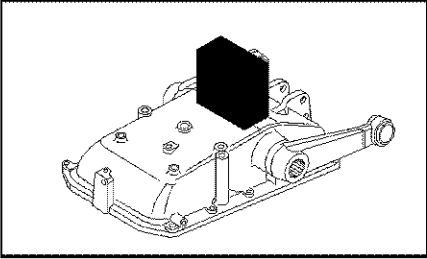
Ref	Onderdeelnummer	Kwt	Beschrijving
1	11087776	1	BORGVEER, M6,
2	5172456	1	PEN,
3	5178183	1	GAFFEL,
4	5116896	1	KETTINGSCHAKEL,
5	5180283	1	BORGVEER, DIA.MM.18,72
6	5146467	1	RESERVERING, DIA.MM.19,2
7	5146466	1	RESERVERING, DIA.MM.24
9	5135739	1	O-RING, -116, CI 9, .737" ID x .103" Thk, M18.72 ID X 2.62 THK
8	5146468	1	O-RING, -113, CI 9, .549" ID x .103" Thk, M13.94 ID X 2.62 THK



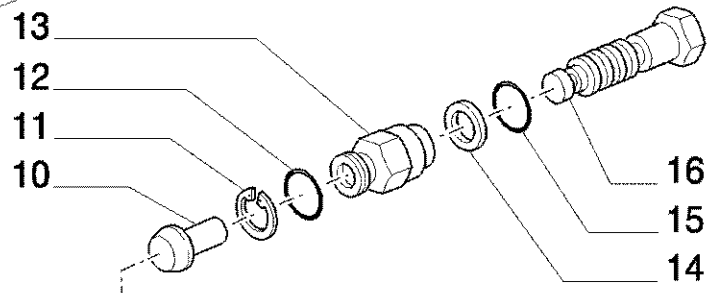
Ref	Onderdeelnummer	Kwt	Beschrijving
1	5178435	1	STEUNBEUGEL,
2	11190574	2	WASHER, SPRING, Belleville, M10.5,
3	15888824	1	BOUT, Hex, M10 x 1.25 x 70, 8.8,
4	15970524	1	BOUT, Hex, M10 x 1.25 x 20, 8.8, Full Thd,
5	12164714	1	MOER, M10 x 1.25, CI 8, M10
6	15540424	3	BOUT, Hex, M12 x 1.25 x 30, 8.8, Full Thd,
7	14437985	2	O-RING, 15.3MM ID x 2.4 Thk,
8	5158364	1	VERBINDING, M22x1.5,7/8-14
9	5173694	1	VASTE BUIS,
10	5186176	2	DICHTRING, D=18
11	5184345	1	VERBINDINGSBOUT,
12	5185533	2	VERBINDING,
13	5135739	4	O-RING, -116, CI 9, .737" ID x .103" Thk, M18.72 ID X2.62THK
14	5168481	2	VERBINDINGSBOUT, M18
15	5101741	4	SNELKOPPELING,
16	14438085	1	O-RING, 19.3MM ID x 2.4 Thk,
17	13507401	1	SLUITRING, M12 x 20 x 2,
18	15540724	1	BOUT, Hex, M12 x 1.25 x 45, 8.8,
19	5179576	2	PLUG, GREEN
19	5179577	2	PLUG, BLEU



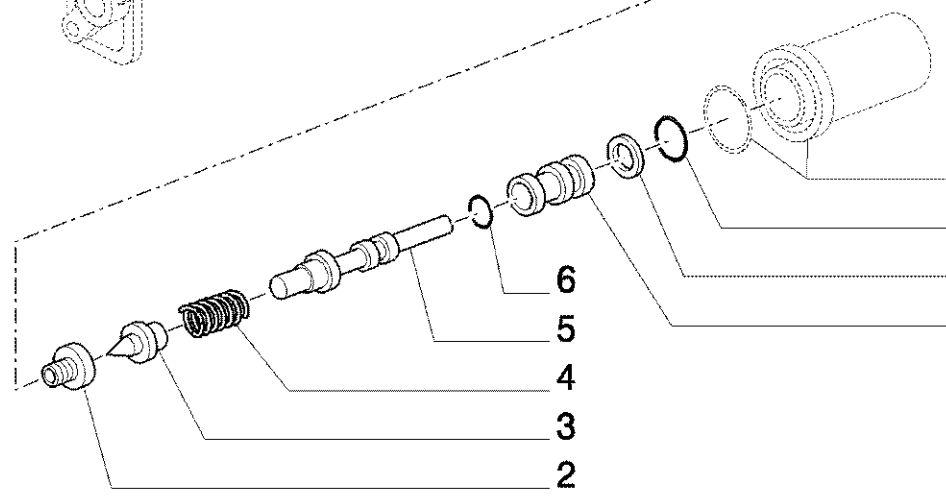
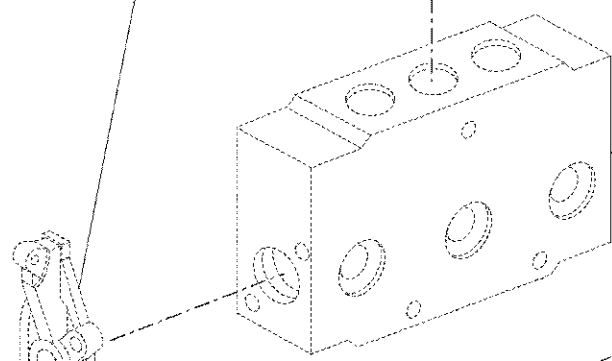
Ref	Onderdeelnummer	Kwt	Beschrijving
1	5171281	1	KONTROLEKLEP, ASSY
2	5135835	1	KLEPGELEIDER,
4	5138508	1	RESERVERING,
5	5116884	1	VEER,
6	5116886	1	PEN,
7	5172326	1	STEUN,
8	5116889	1	OLIESCHRAAPRING,
9	5135734	1	O-RING, -016, CI 9, .614" ID x .070" Thk, 1,78X15,60
10	11197774	2	WASHER, SPRING, Belleville, M6.4,
11	5124338	2	SCHROEF,
12	20063420	3	KOGEL,
3	5135732	1	O-RING, -013, CI 9, .426" ID x .070" Thk, 90 DURO, .414" ID X .072" THK



1



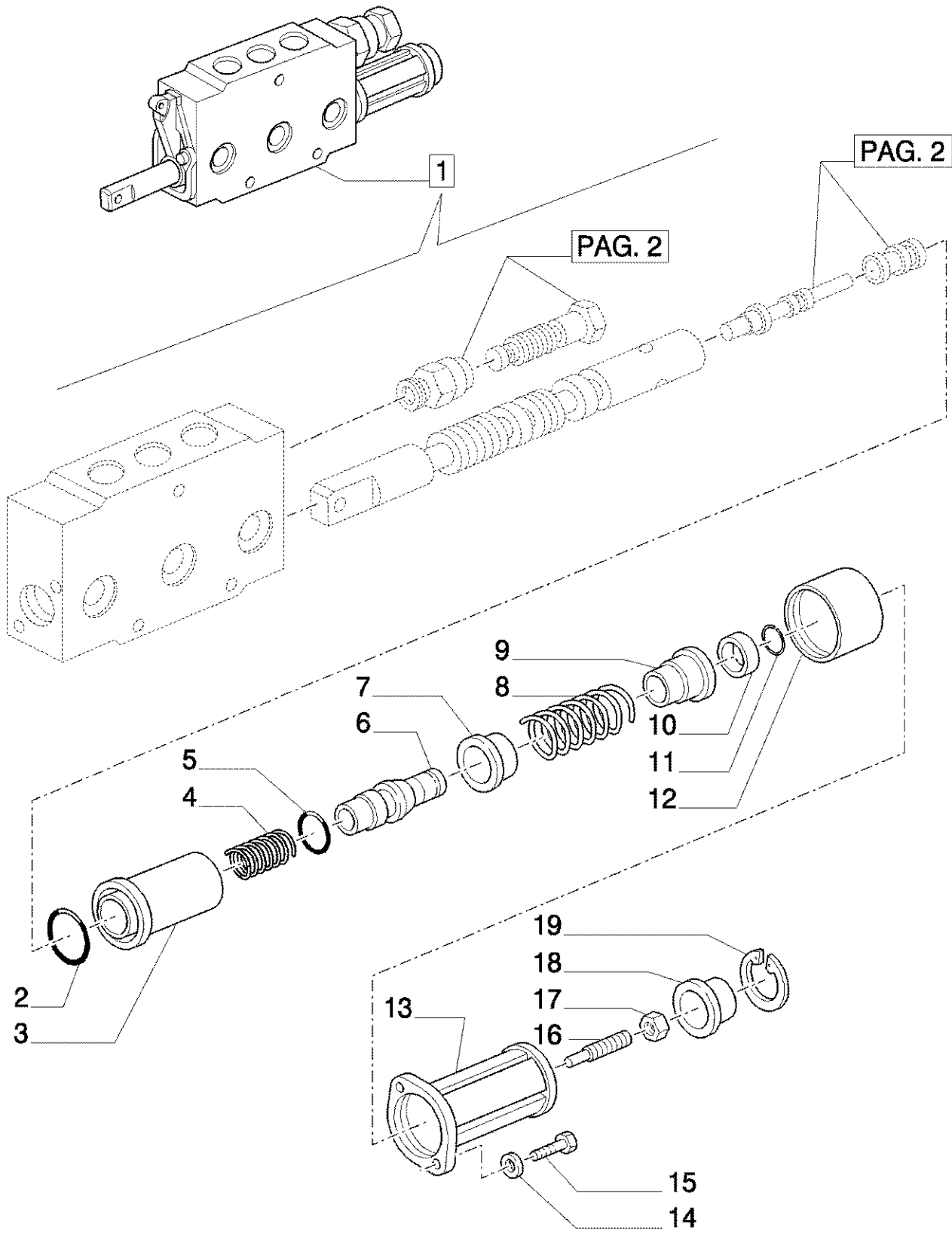
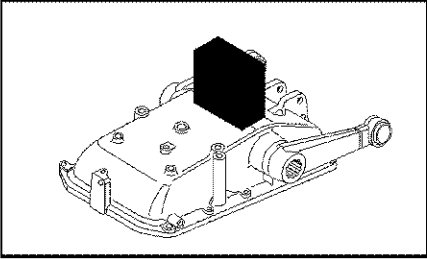
PAG. 1



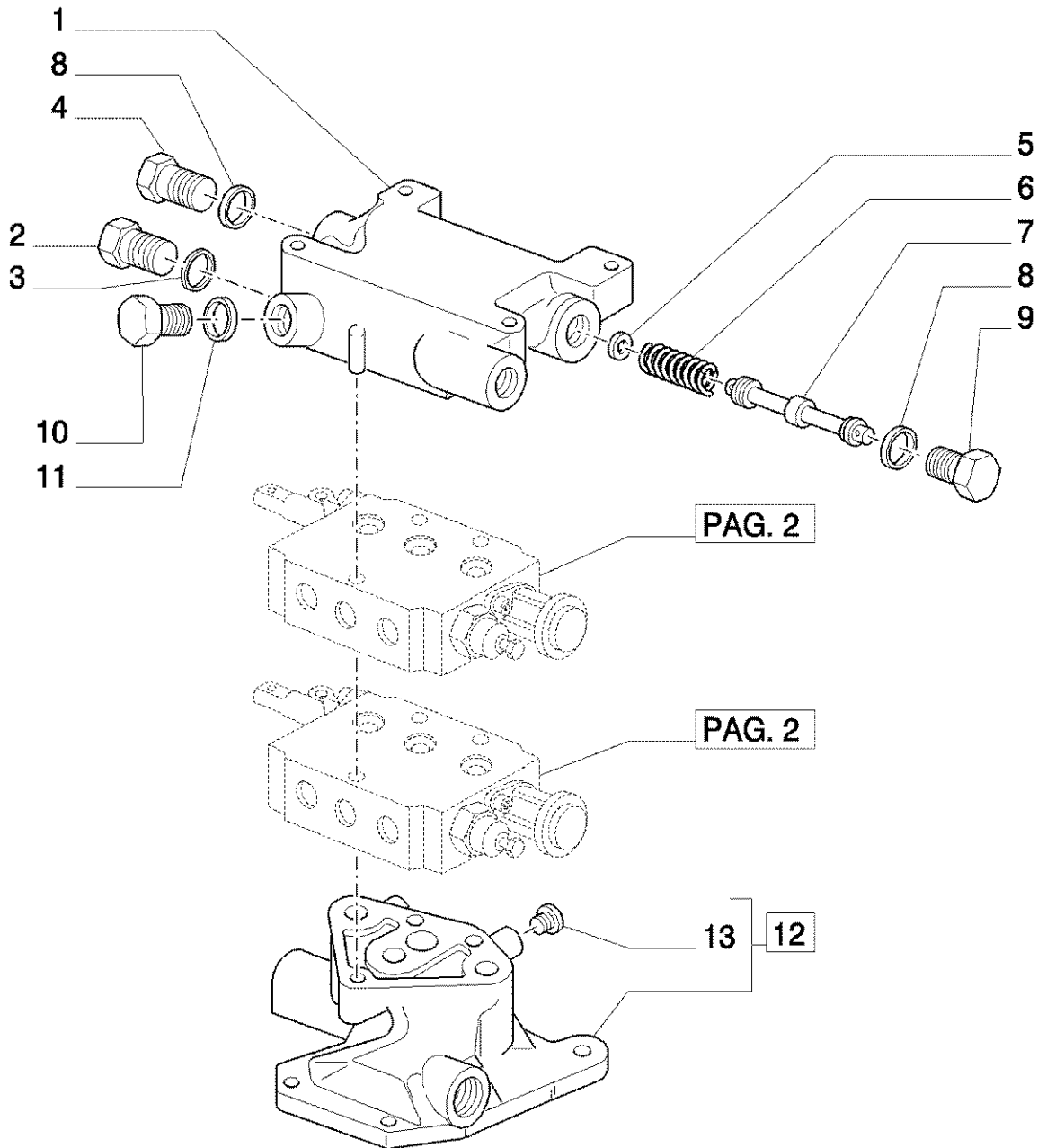
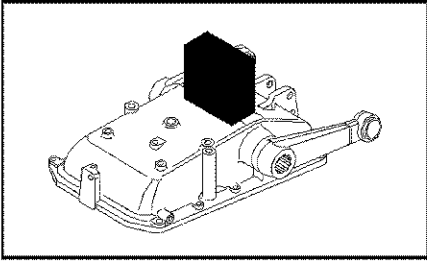
PAG. 3



Ref	Onderdeelnummer	Kwt	Beschrijving
1	5171281	1	KONTROLEKLEP, ASSY
2	5143554	1	PLUG,
3	5143555	1	POPPET,
4	5143556	1	VEER,
5	5143557	1	PEN,
6	5143558	1	O-RING, 1,78X2,57
7	5163363	1	LAGERBUS,
8	5143560	1	RING,
9	575094	1	O-RING, 1,78X8,73
10	5136347	1	PEN,
11	11087871	1	BORGVEER, M7,
12	5135739	1	O-RING, -116, CI 9, .737" ID x .103" Thk, 2,62X18,72
13	5136346	1	LICHAAM,
14	5120771	1	RESERVERING,
15	5120772	1	O-RING, 1,78X6,75
16	5136348	1	PEN,



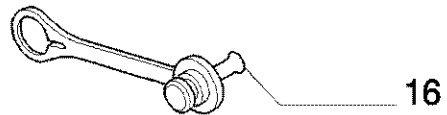
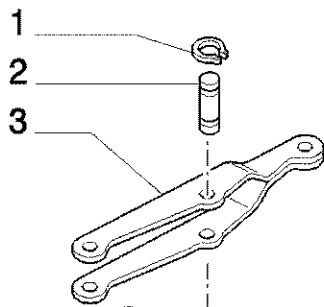
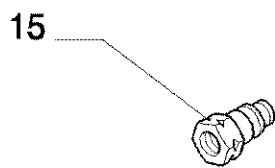
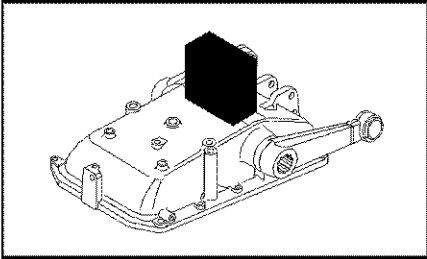
Ref	Onderdeelnummer	Kwt	Beschrijving
1	5171281	1	KONTROLEKLEP, ASSY
2	5135736	1	O-RING, -019, CI 9, .801" ID x .070" Thk, 1,78X20,35
3	5179066	1	LAGERBUS,
4	5163369	1	VEER,
5	5135734	1	O-RING, -016, CI 9, .614" ID x .070" Thk, 614" IDX0,70" THK
6	5163365	1	PLUG,
7	5143564	1	KOM,
8	5116893	1	VEER,
9	5143575	1	KOM,
10	5143576	1	AFSTANDSRING,
11	5143577	1	RING,
12	5143578	1	AFSTANDSRING,
13	5143566	1	FLENSBEDEKKING,
14	11197774	2	WASHER, SPRING, Belleville, M6.4,
15	5143621	2	SCHROEF,
16	5163362	1	AFSTELSCHROEF, M5X0.8
17	15896421	1	MOER, M5, CI 10,
18	5143567	1	DEKSEL,
19	13421276	1	RING, SNAP, M28, Int,



360 KOMPAKT TRACTOR (4/03-) - Hydraulisch Systeem

1.82.7/05(01) (VAR.028) 2 VERDEELBOKKEN VOOR MID-MOUNT EN EDC - FLENS EN DOPPEN

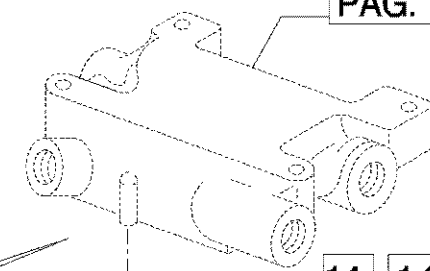
Ref	Onderdeelnummer	Kwt	Beschrijving
1	5173961	1	FLENS, INCL.REF.2-11
2	10300511	1	PLUG, M12 x 1.25 x 12, CI5.8,
3	4858607	1	WASHER, COPPER,
4	5173857	1	PLUG,
5	5167122	1	THROTTLE,
6	83948862	1	VEER,
7	83999793	1	KLEP, HYDRAULISCH,
9	5167123	1	PLUG,
10	83957506	1	PLUG, 3/4"-14 (B)
11	80167266	1	O-RING, 90 DURO, .924" ID X.116" THK
12	5176480	1	FLENS,
13	10269650	1	PLUG,
8	14438185	1	O-RING, 24MM ID x 3.0 Thk,



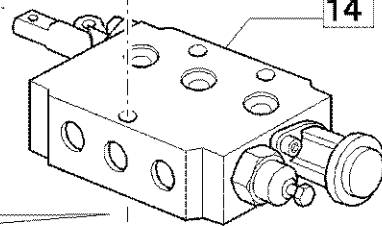
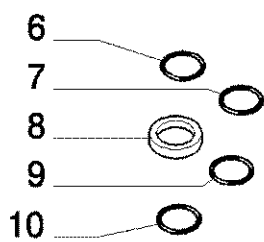
PAG. 1

1.82.7/02A

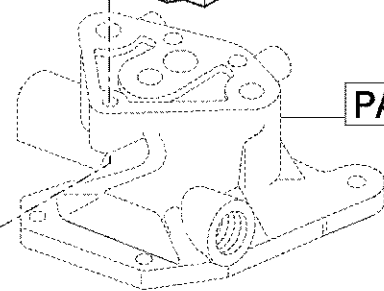
1.82.7/04A



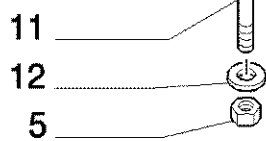
14 1.82.7/02A



13 1.82.7/04A



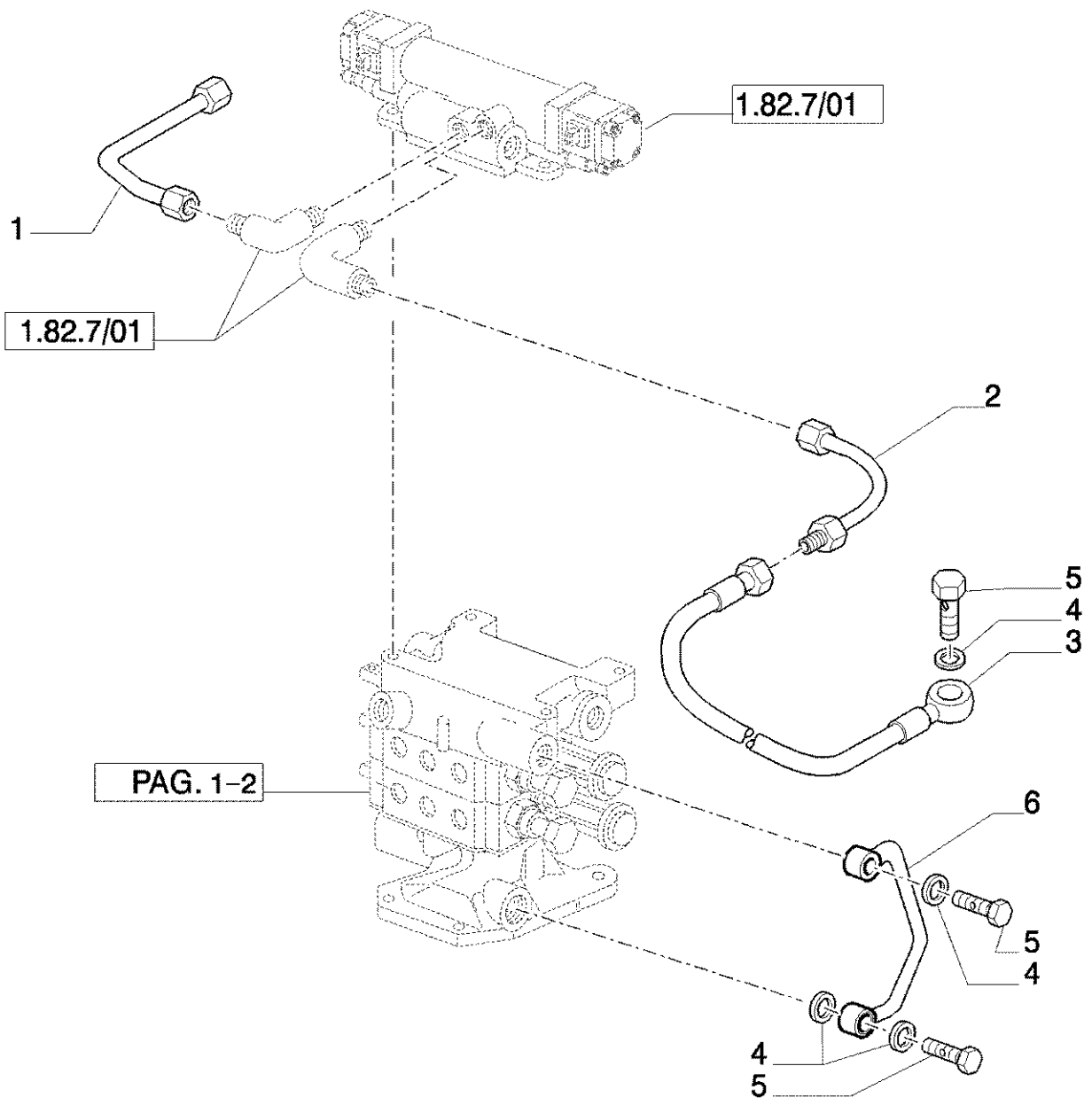
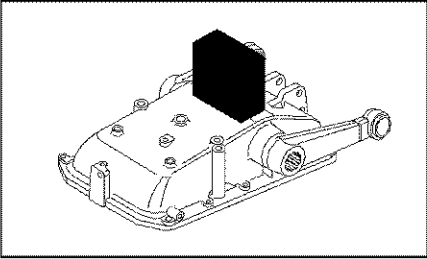
PAG. 1



360 KOMPAKT TRACTOR (4/03-) - Hydraulisch Systeem

1.82.7/05(02) (VAR.028) 2 VERDEELBOKKEN VOOR MID-MOUNT EN EDC - VEREELBOKKEN

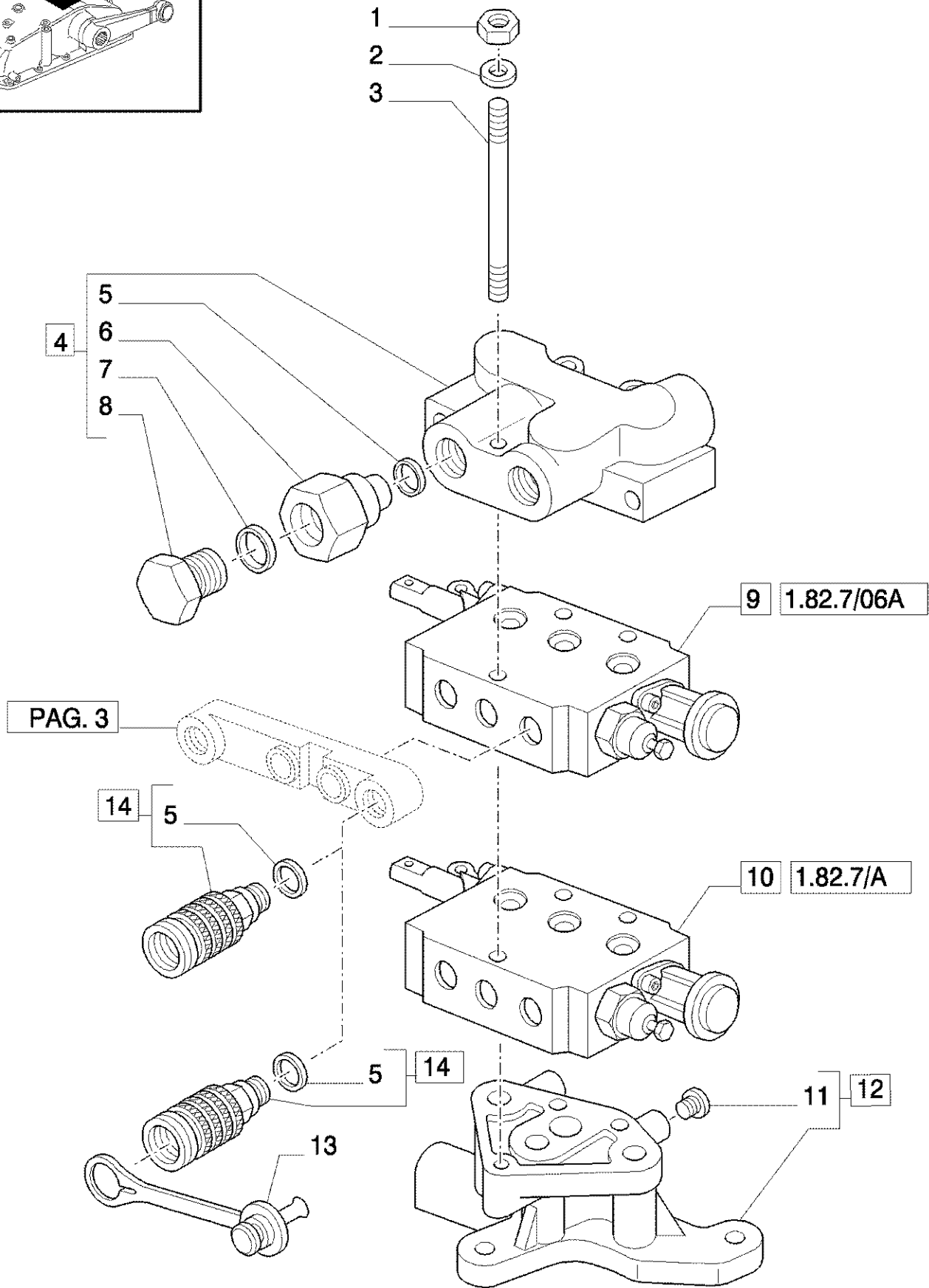
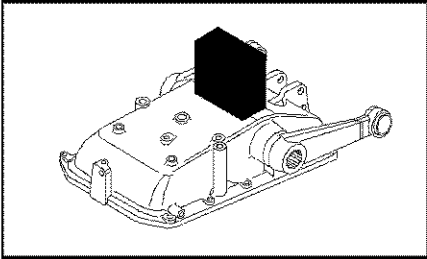
Ref	Onderdeelnummer	Kwt	Beschrijving
1	11087776	2	BORGVEER, M6,
2	5172456	2	PEN,
3	5178183	2	GAFFEL,
4	5116896	2	KETTINGSCHAKEL,
5	5116857	3	MOER, 3/8"
6	5146466	3	RESERVERING, D=24
7	5146467	6	RESERVERING, D=19,2
9	5135739	9	O-RING, -116, CI 9, .737" ID x .103" Thk, M18.72 ID X 2.62 THK
10	5180283	9	BORGVEER, D=18,72
11	5150104	3	TREKSTANG,
12	12648304	3	SLUITRING, M10 x 17 x 1.5,
13	5171281	1	KONTROLEKLEP, ASSY
14	47129231	1	KONTROLEKLEP, ASSY
15	5101741	4	SNELKOPPELING,
16	5179576	2	PLUG, GREEN
16	5179577	2	PLUG, BLUE
8	5146468	3	O-RING, -113, CI 9, .549" ID x .103" Thk, M13.94 ID X 2.62 THK



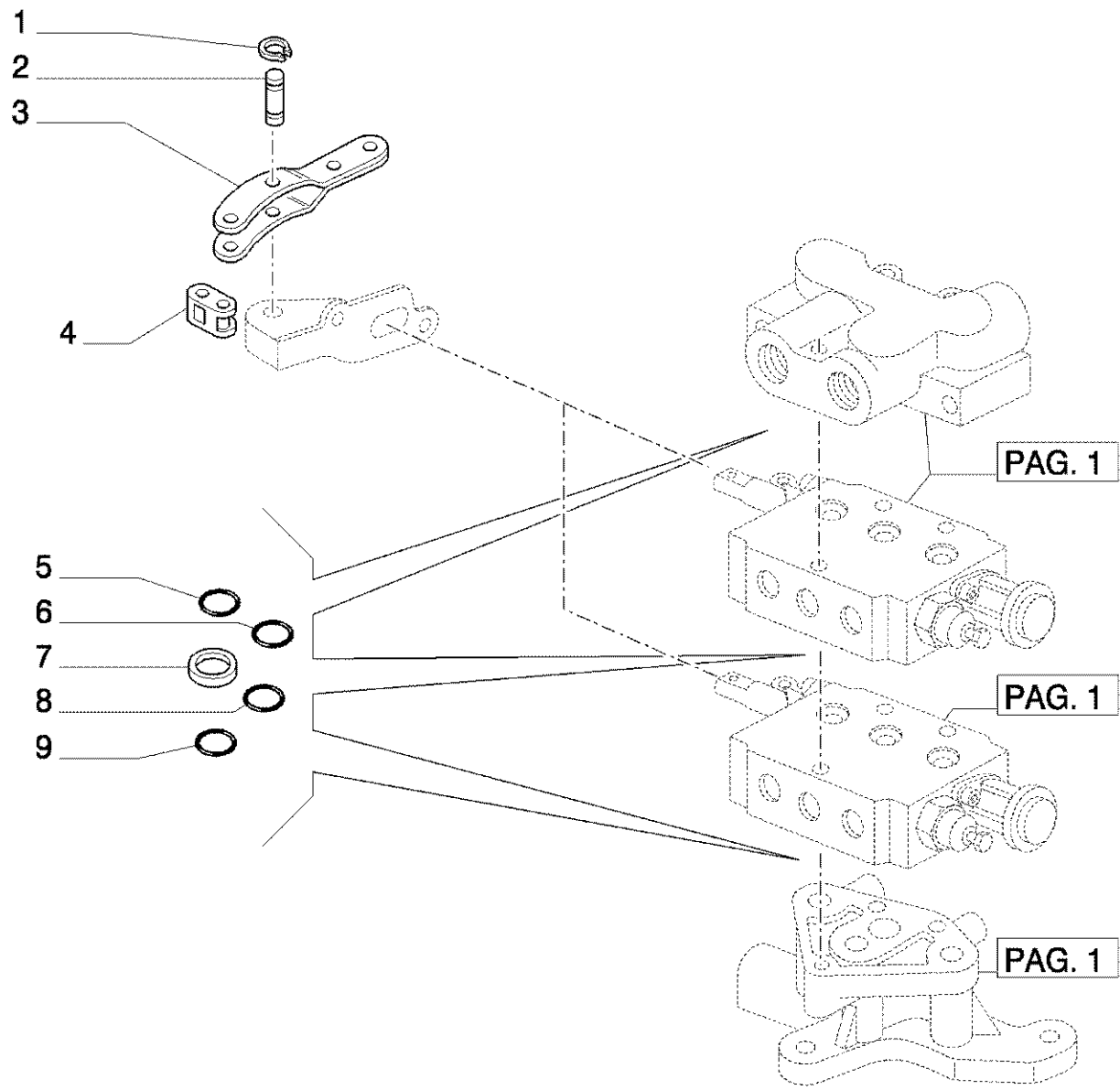
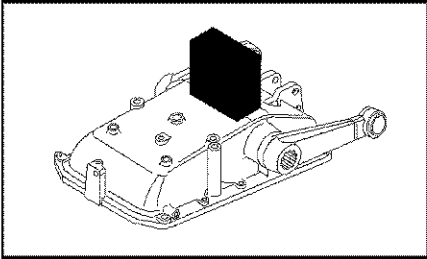
360 KOMPAKT TRACTOR (4/03-) - Hydraulisch Systeem

1.82.7/05(03) (VAR.028) 2 VERDEELBOKKEN VOOR MID-MOUNT EN EDC - BUIZEN

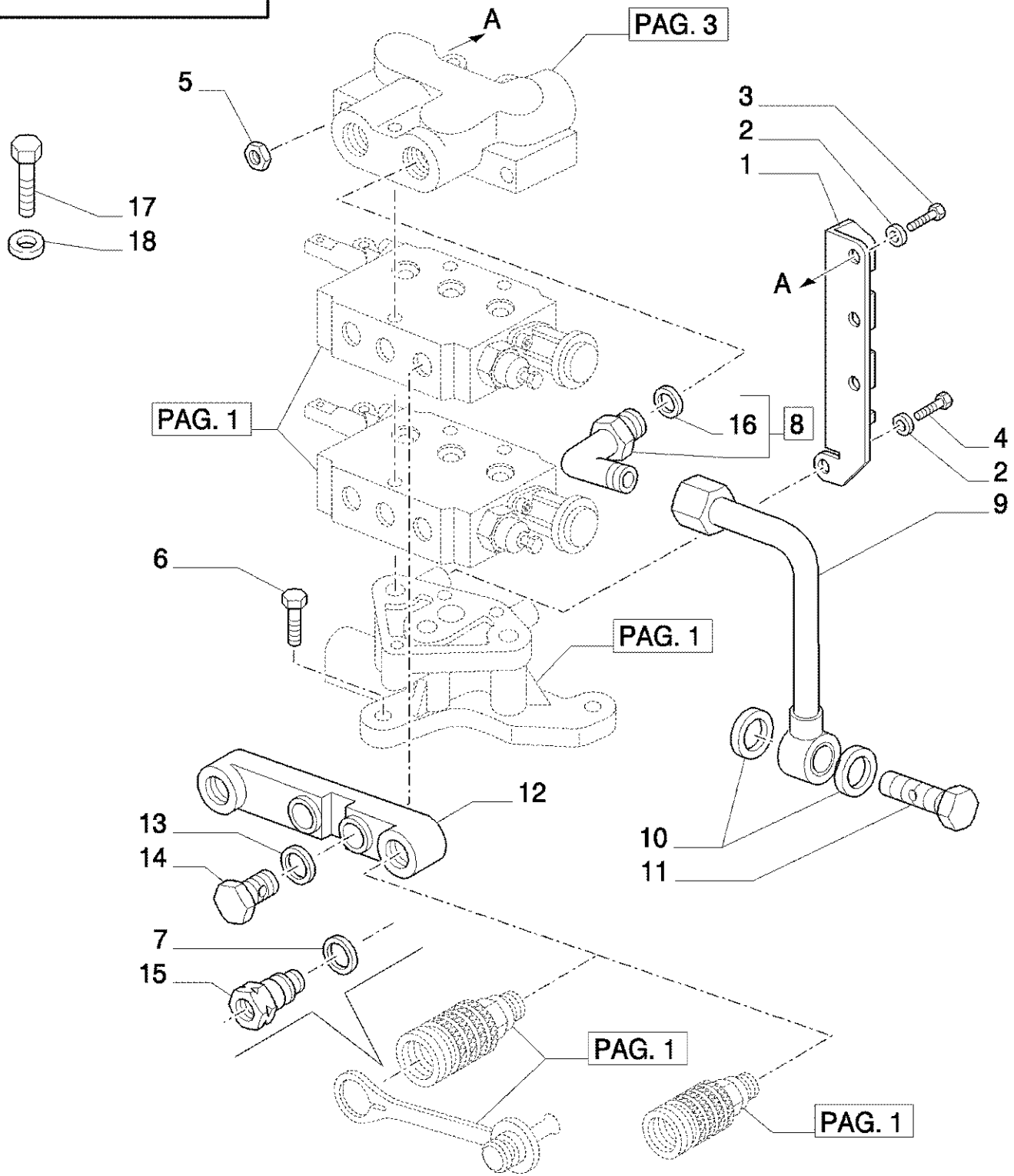
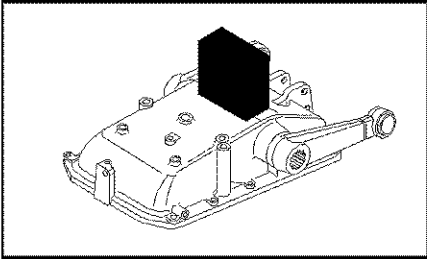
Ref	Onderdeelnummer	Kwt	Beschrijving
1	5174040	1	VASTE BUIS, D=6
2	47131635	1	VASTE BUIS, CENTER PILOT
3	47133401	1	FLEXIBELE SLANG, 1110 MM, Front Pilot Hose
4	4858607	4	WASHER, COPPER, 12x18
5	10185011	3	VERBINDINGSBOUT, M12 x 1.25 x 23,
6	5174038	1	VASTE BUIS,



Ref	Onderdeelnummer	Kwt	Beschrijving
1	5116857	6	MOER, 3/8"
2	12648304	3	SLUITRING, M10 x 17 x 1.5, D=10
3	5151506	3	TREKSTANG,
4	5173758	1	STEUN, ASSY
6	5174043	1	VERBINDING,
7	81826567	1	BORGVEER, .924"x.116"
8	83957506	1	PLUG, 3/4"-14 (B)
9	5186854	1	KONTROLEKLEP, ASSY
10	5186278	1	KONTROLEKLEP, ASSY
11	10269601	1	PLUG, M16
12	5176800	1	FLENS,
13	5179576	AR	PLUG, GREEN STND.
13	5179577	AR	PLUG, BLUE STND.
14	5179557	AR	KOPPELINGSSCHIJF, STND.
5	14438085	AR	O-RING, 19.3MM ID x 2.4 Thk,



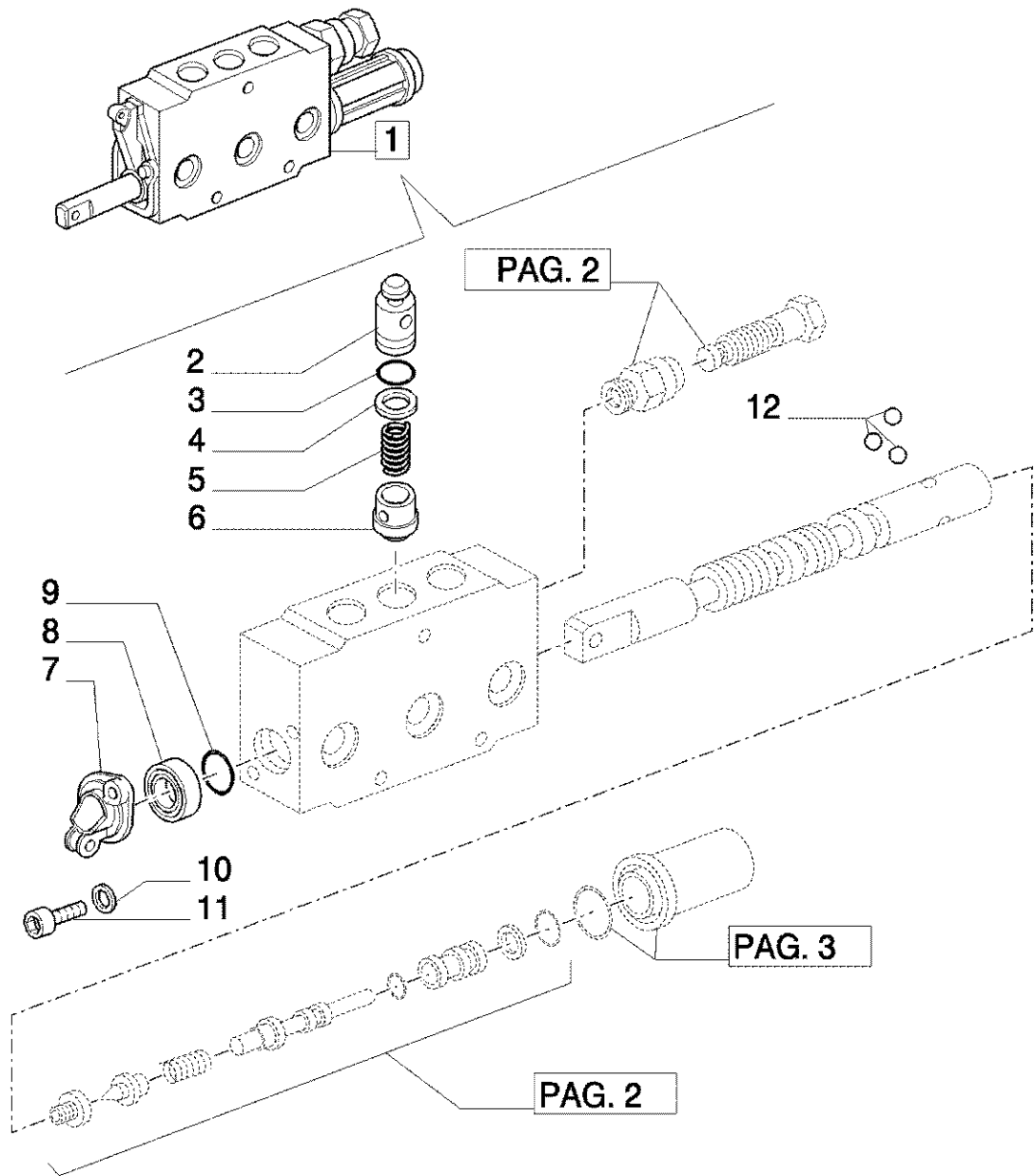
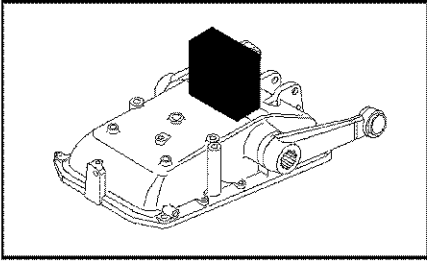
Ref	Onderdeelnummer	Kwt	Beschrijving
1	11087776	2	BORGVEER, M6,
2	5172456	2	PEN,
3	5178877	2	GAFFEL,
4	5116896	2	KETTINGSCHAKEL,
5	5180283	9	BORGVEER, D=18.72
6	5146467	3	RESERVERING, D=19.2
7	5146466	3	RESERVERING, D=24
9	5135739	9	O-RING, -116, CI 9, .737" ID x .103" Thk, 18.72x2.62
8	5146468	3	O-RING, -113, CI 9, .549" ID x .103" Thk, 13.94x2.62



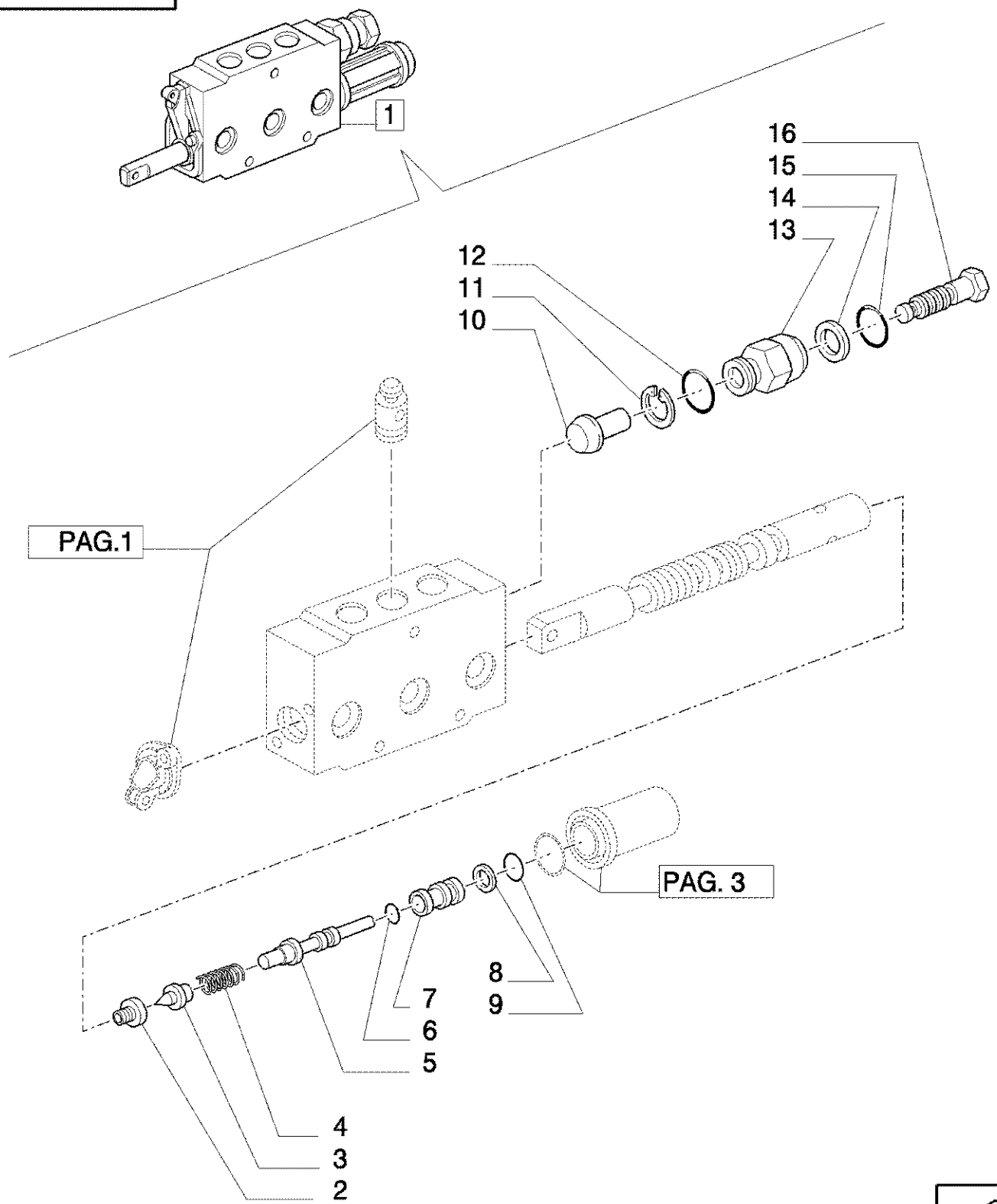
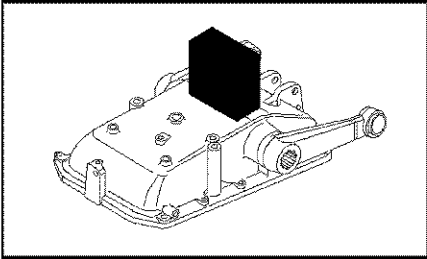
360 KOMPAKT TRACTOR (4/03-) - Hydraulisch Systeem

1.82.7/06(03) (VAR.108) 2 VERDEELBOKKEN VOOR MDC - BUIZEN

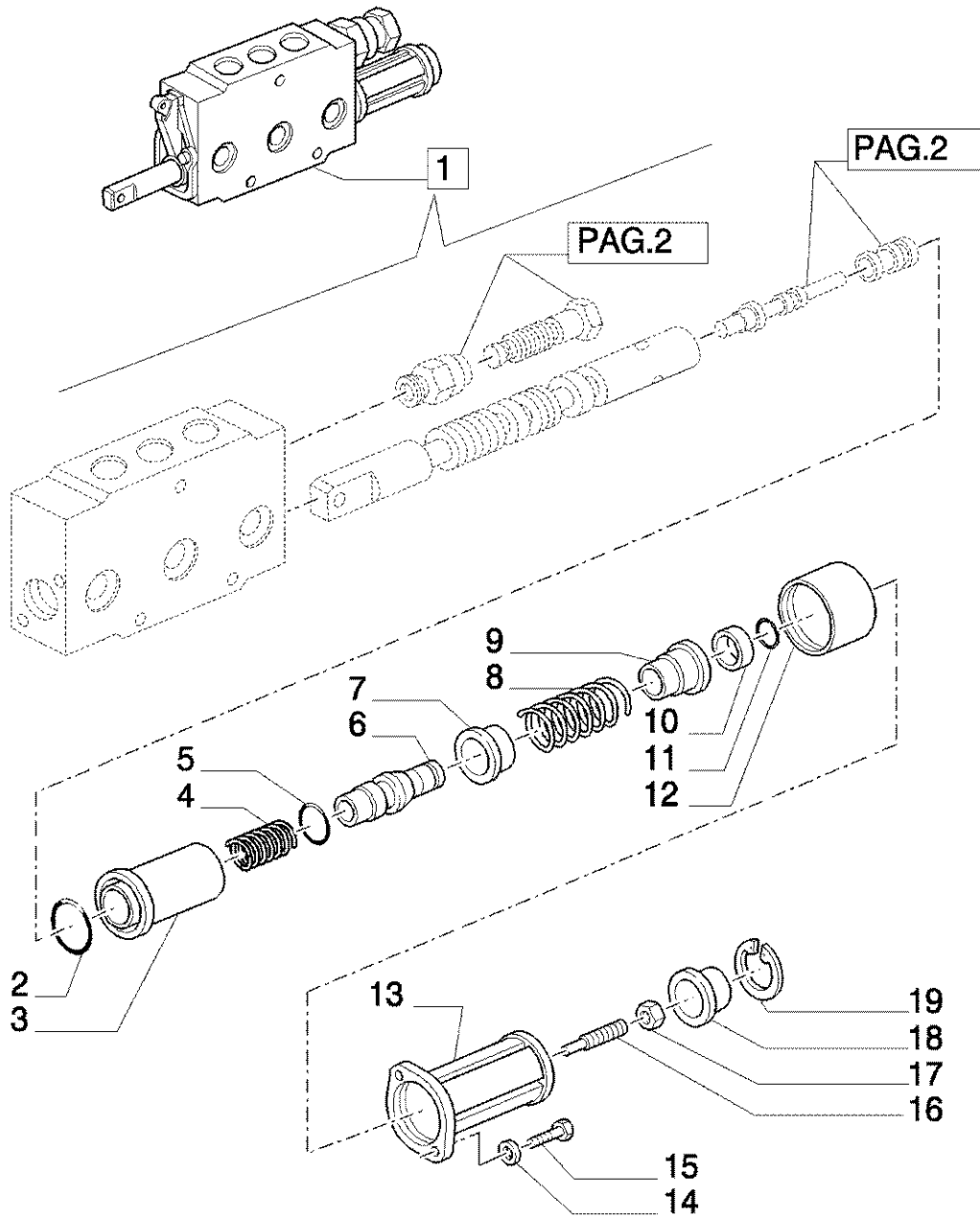
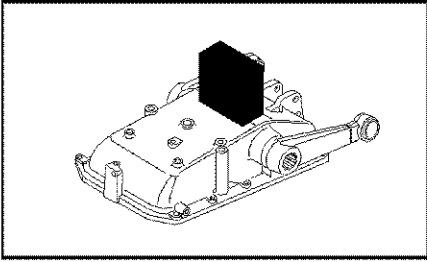
Ref	Onderdeelnummer	Kwt	Beschrijving
1	5178435	1	STEUNBEUGEL,
2	11190574	2	WASHER, SPRING, Belleville, M10.5,
3	15888824	1	BOUT, Hex, M10 x 1.25 x 70, 8.8,
5	12164714	1	MOER, M10 x 1.25, CI 8, M10
6	15540424	3	BOUT, Hex, M12 x 1.25 x 30, 8.8, Full Thd,
8	5158364	1	VERBINDING, M22x1.5,7/8-14
9	5173694	1	VASTE BUIS,
10	5186176	2	DICHTRING, D=18
11	5184345	1	VERBINDINGSBOUT,
12	5185533	2	VERBINDING,
13	5135739	4	O-RING, -116, CI 9, .737" ID x .103" Thk, 18.72x2.62
14	5168481	2	VERBINDINGSBOUT, M18
15	5101741	4	SNELKOPPELING,
17	15540724	1	BOUT, Hex, M12 x 1.25 x 45, 8.8,
18	13507401	1	SLUITRING, M12 x 20 x 2,
4	15970524	1	BOUT, Hex, M10 x 1.25 x 20, 8.8, Full Thd,
16	14438085	1	O-RING, 19.3MM ID x 2.4 Thk,
7	14437985	2	O-RING, 15.3MM ID x 2.4 Thk,



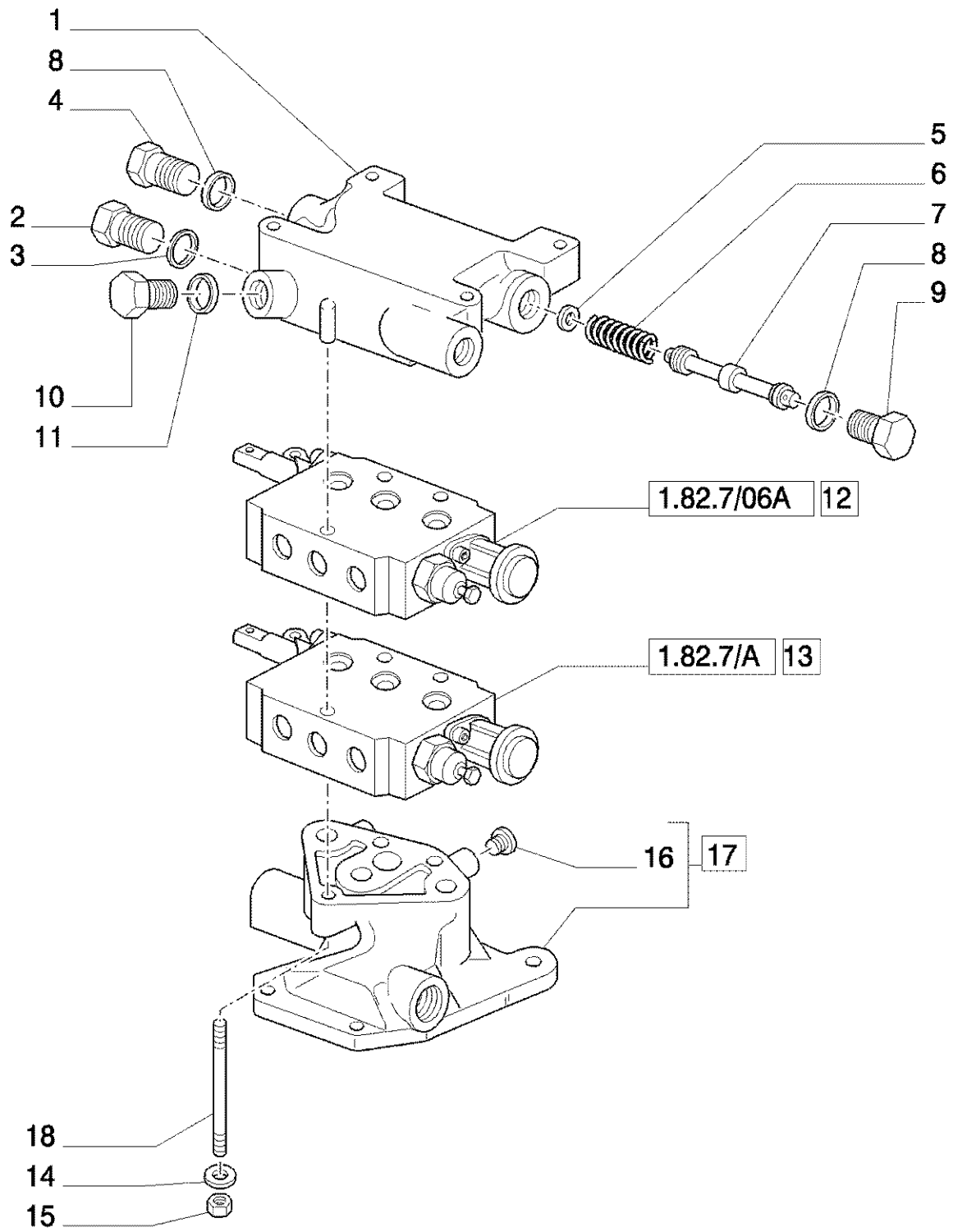
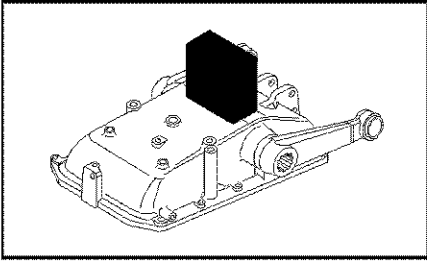
Ref	Onderdeelnummer	Kwt	Beschrijving
1	5186854	1	KONTROLEKLEP, ASSY
2	5135835	1	KLEPGELEIDER,
4	5138508	1	RESERVERING,
5	5116884	1	VEER,
6	5116886	1	PEN,
7	5116887	1	STEUN,
8	5116889	1	OLIESCHRAAPRING,
9	5135734	1	O-RING, -016, CI 9, .614" ID x .070" Thk, 1.78x15.60
10	11197774	2	WASHER, SPRING, Belleville, M6.4,
11	5124338	2	SCHROEF,
12	20063420	3	KOGEL,
3	5135732	1	O-RING, -013, CI 9, .426" ID x .070" Thk, .414"x.072"



Ref	Onderdeelnummer	Kwt	Beschrijving
1	5186854	1	KONTROLEKLEP, ASSY
2	5143554	1	PLUG,
3	5143555	1	POPPET,
4	5143556	1	VEER,
5	5143557	1	PEN,
6	5143558	1	O-RING, 1.78x2.57
7	5163363	1	LAGERBUS,
8	5143560	1	RING,
9	575094	1	O-RING, 1.78x8.73
10	5136347	1	PEN,
11	11087876	1	BORGVEER, M7,
12	5135739	1	O-RING, -116, CI 9, .737" ID x .103" Thk, 18.72x2.62
13	5136346	1	LICHAAM,
14	5120771	1	RESERVERING,
15	5120772	1	O-RING, 1.78x6.75
16	5136348	1	PEN,



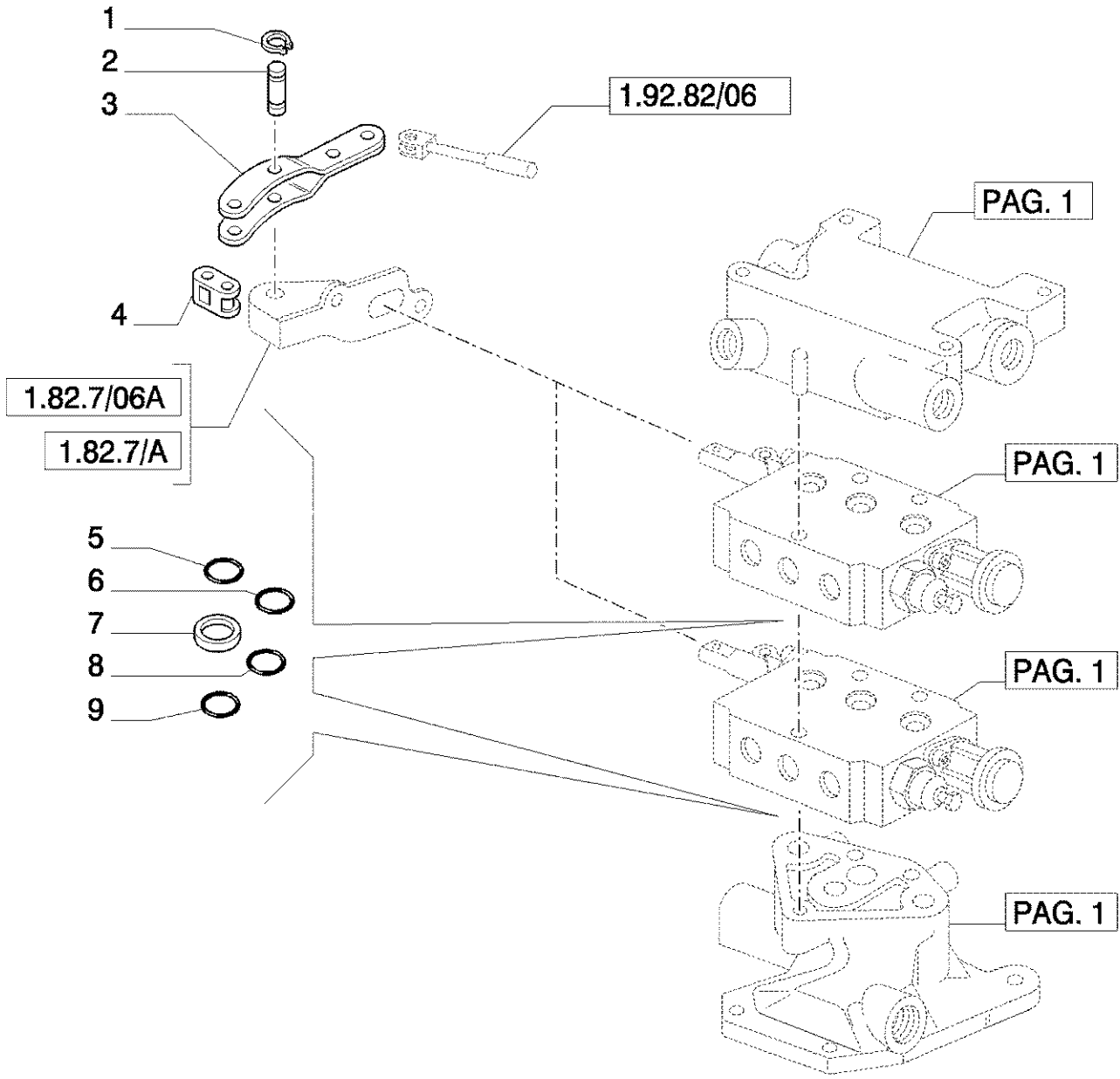
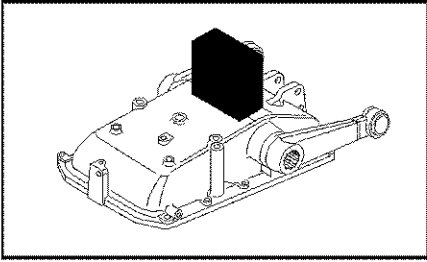
Ref	Onderdeelnummer	Kwt	Beschrijving
1	5186854	1	KONTROLEKLEP, ASSY
2	5135736	1	O-RING, -019, CI 9, .801" ID x .070" Thk, 1.78x20.35
3	5179066	1	LAGERBUS,
4	5163369	1	VEER,
5	5135734	1	O-RING, -016, CI 9, .614" ID x .070" Thk, 1.78x15.60
6	5163365	1	PLUG,
7	5143564	1	KOM,
8	5116893	1	VEER,
9	5143575	1	KOM,
10	5143576	1	AFSTANDSRING,
11	5143577	1	RING,
12	5143578	1	AFSTANDSRING,
13	5143566	1	FLENSBEDEKKING,
14	11197774	2	WASHER, SPRING, Belleville, M6.4,
15	5143621	2	SCHROEF,
16	5163362	1	AFSTELSCHROEF,
17	15896421	1	MOER, M5, CI 10,
18	5143567	1	DEKSEL,
19	13421276	1	RING, SNAP, M28, Int,



360 KOMPAKT TRACTOR (4/03-) - Hydraulisch Systeem

1.82.7/07(01) (VAR.136) 2 VERDEELBOKKEN VOOR EDC - VERDEELBOKKEN

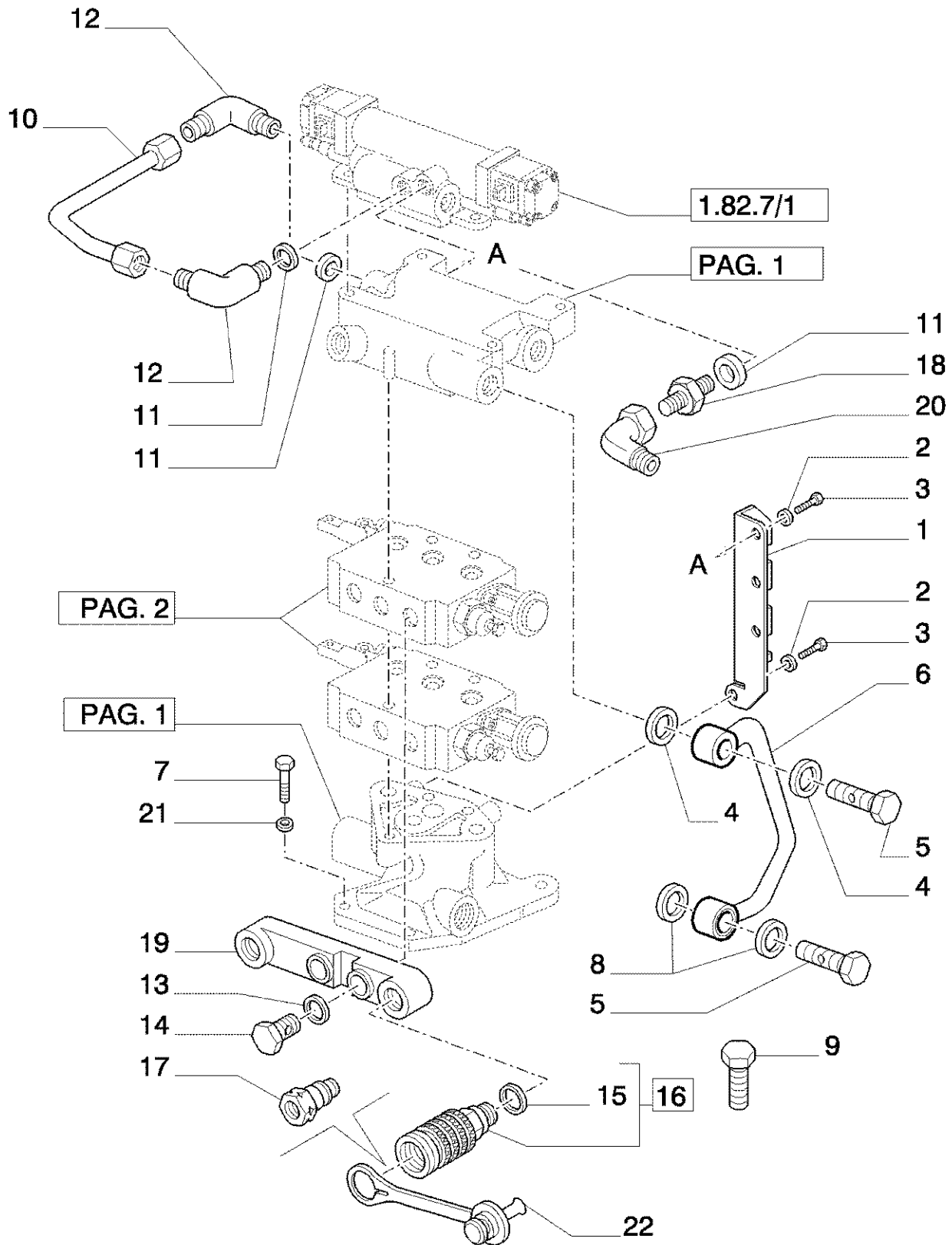
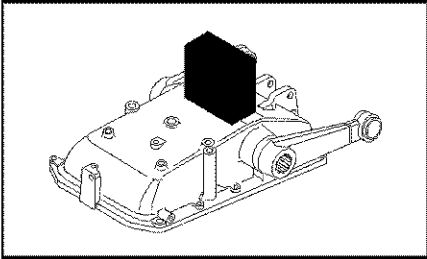
Ref	Onderdeelnummer	Kwt	Beschrijving
1	5173961	1	FLENS, INCL.REF.2-11
2	10300511	1	PLUG, M12 x 1.25 x 12, CI5.8,
3	4858607	1	WASHER, COPPER,
4	5173857	1	PLUG,
5	5167122	1	THROTTLE,
6	83948862	1	VEER,
7	83999793	1	KLEP, HYDRAULISCH,
9	5167123	1	PLUG,
10	83957506	1	PLUG, 3/4"-14 (B)
11	80167266	1	O-RING, .924"x.116"
12	5186854	1	KONTROLEKLEP, ASSY
13	5186278	1	KONTROLEKLEP, ASSY
14	12648304	3	SLUITRING, M10 x 17 x 1.5, M10
15	5116857	3	MOER,
16	10269601	1	PLUG,
17	5176480	1	FLENS, Incl.Ref.16
18	5150104	3	TREKSTANG,
8	14438185	1	O-RING, 24MM ID x 3.0 Thk,



360 KOMPAKT TRACTOR (4/03-) - Hydraulisch Systeem

1.82.7/07(02) (VAR.136) 2 VERDEELBOKKEN VOOR EDC - RINGEN

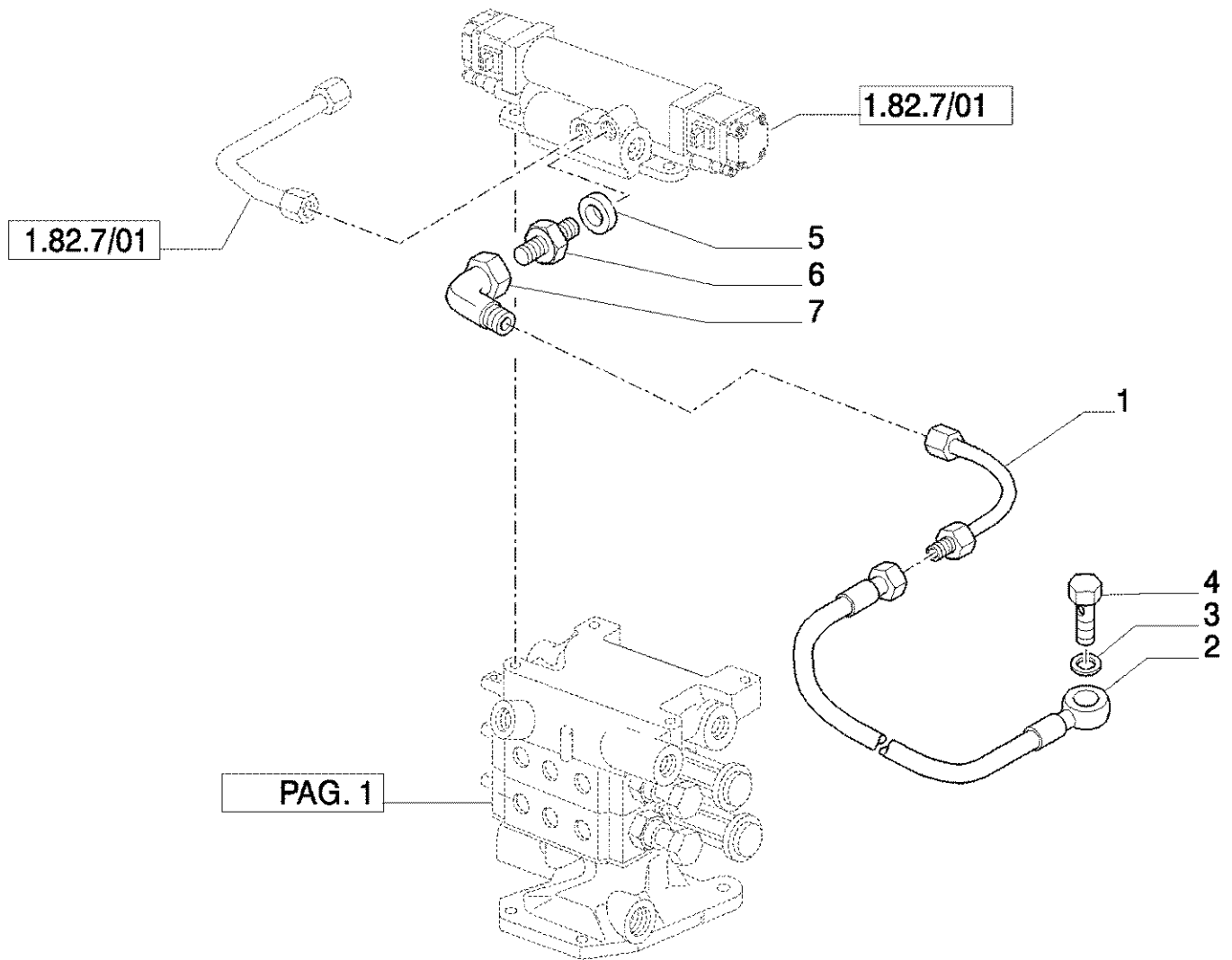
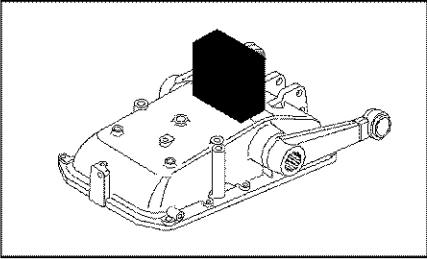
Ref	Onderdeelnummer	Kwt	Beschrijving
1	11087776	2	BORGVEER, M6,
2	5172456	2	PEN,
3	5178877	2	GAFFEL,
4	5116896	2	KETTINGSCHAKEL,
5	5180283	16	BORGVEER, D=18.72
6	5146467	5	RESERVERING, D=19.2
7	5146466	5	RESERVERING, D=24
9	5135739	16	O-RING, -116, CI 9, .737" ID x .103" Thk, 18.72x2.62
8	5146468	5	O-RING, -113, CI 9, .549" ID x .103" Thk, 13.94x2.62



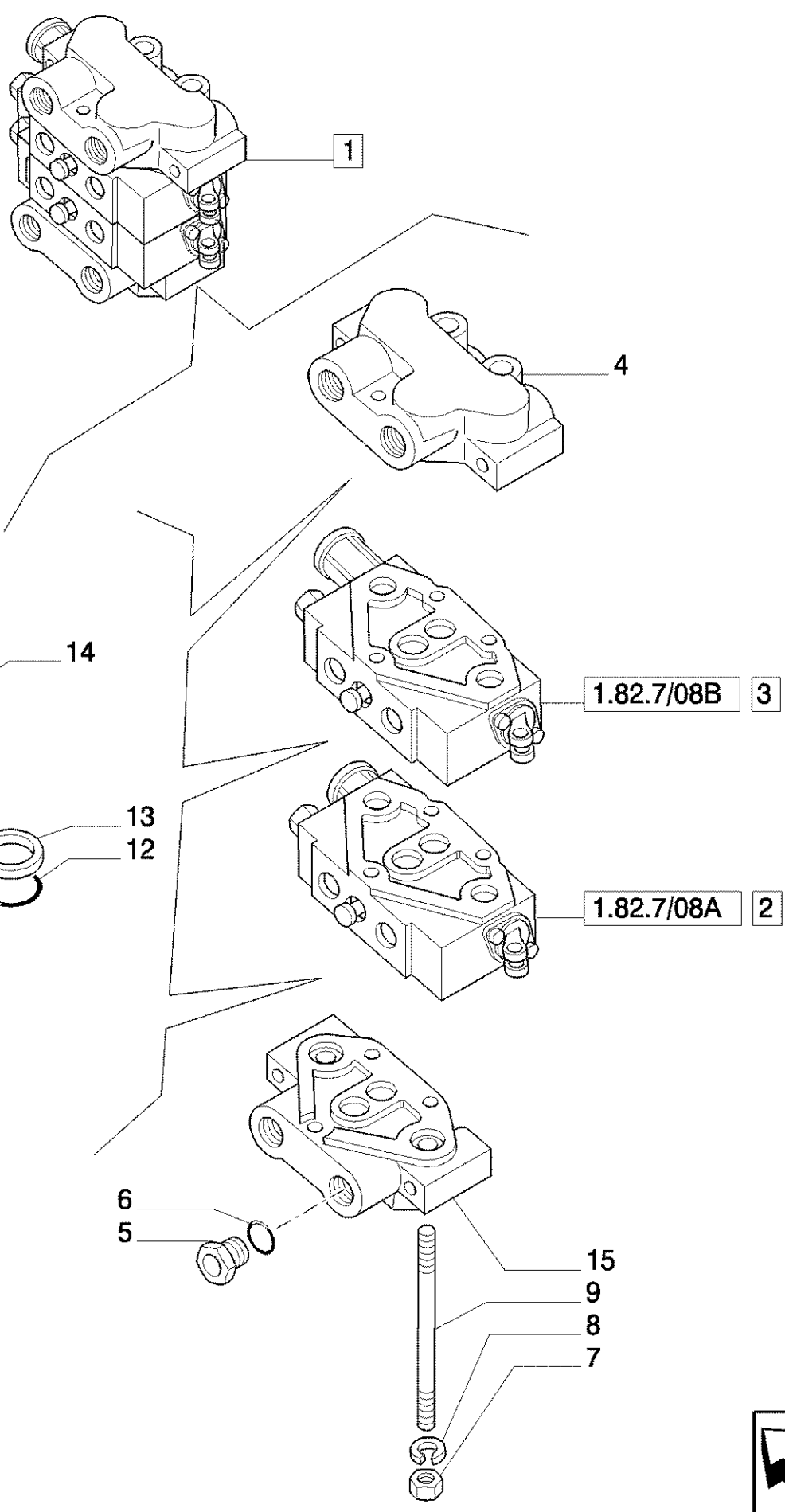
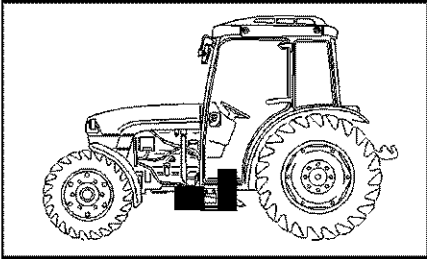
360 KOMPAKT TRACTOR (4/03-) - Hydraulisch Systeem

1.82.7/07(03) (VAR.136) 2 VERDEELBOKKEN VOOR EDC - BUIZEN

Ref	Onderdeelnummer	Kwt	Beschrijving
1	5179944	1	KONZOOL,
2	11190574	2	WASHER, SPRING, Belleville, M10.5,
4	5186176	2	DICHTRING, D=18
5	5184345	2	VERBINDINGSBOUT, M18
6	5174038	1	VASTE BUIS, UNLOAD
7	16043824	5	BOUT, Hex, M8 x 30, 8.8, Full Thd,
9	15540424	2	BOUT, Hex, M12 x 1.25 x 30, 8.8, Full Thd,
10	5174040	1	VASTE BUIS, LOAD SENSOR
11	80165202	3	O-RING, .351"x.072"
12	83934423	2	ELLEBOOG, 90°, Male 37° FL - Male, W/O-Ring, 1/4" Tube
13	5135739	4	O-RING, -116, CI 9, .737" ID x .103" Thk, 18.72x2.62
14	5168481	4	VERBINDINGSBOUT, M18
16	5179557	4	KOPPELINGSSCHIJF,
17	5101741	4	SNELKOPPELING,
18	82002503	1	VERBINDING, 1/2"
19	5185533	2	VERBINDING,
20	86513593	1	ELLEBOOG, 90°, 1/2"-20, 37° x 1/2"-20, 37° Fem Sw,
21	5188390	1	AFSTANDSRING,
22	5179576	2	PLUG, GREEN
22	5179577	2	PLUG, BLEU
3	15970524	2	BOUT, Hex, M10 x 1.25 x 20, 8.8, Full Thd,
15	14438085	4	O-RING, 19.3MM ID x 2.4 Thk,
8	14437985	4	O-RING, 15.3MM ID x 2.4 Thk,



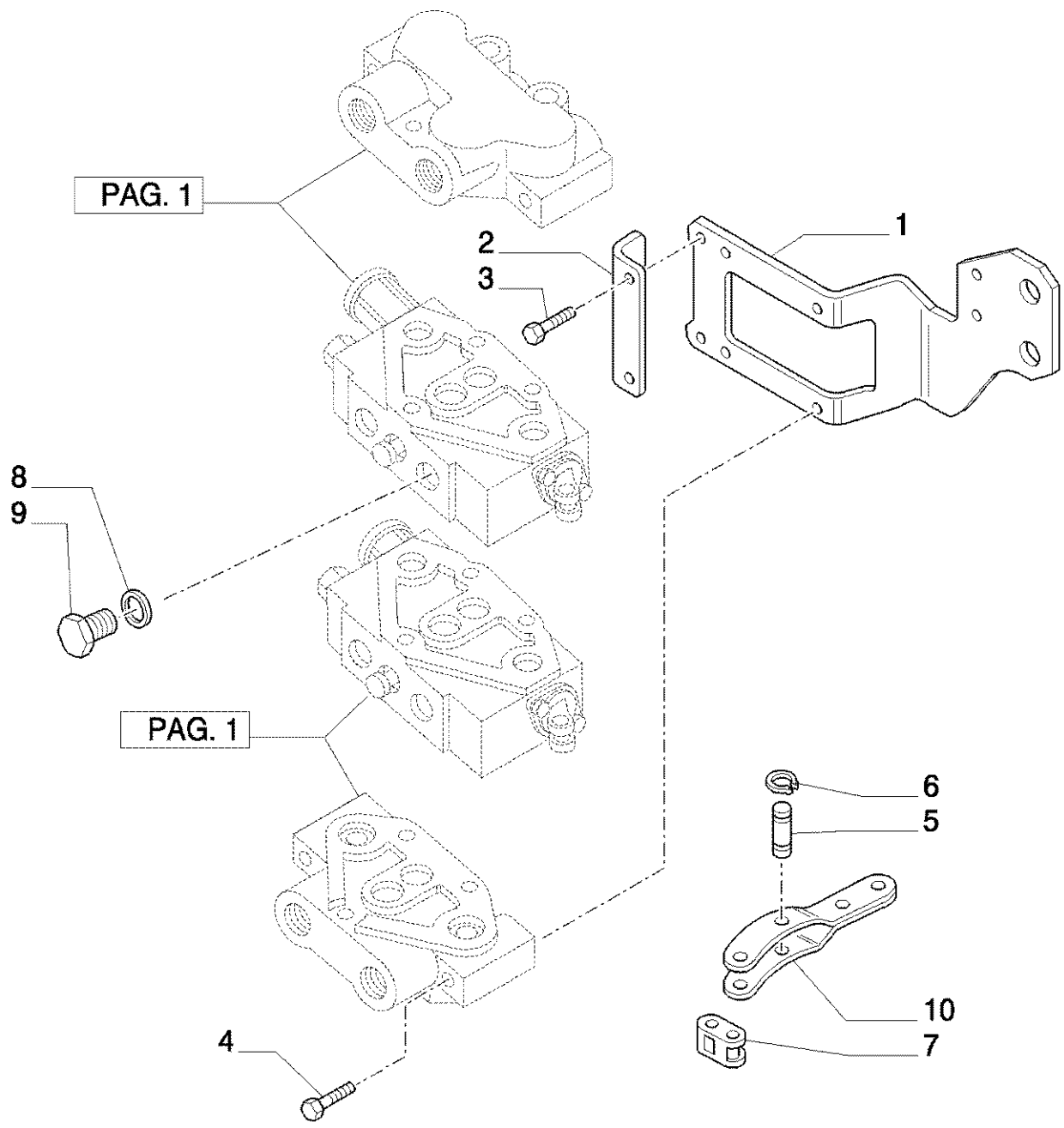
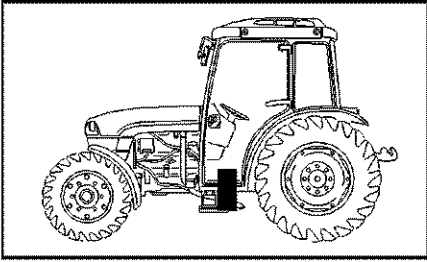
Ref	Onderdeelnummer	Kwt	Beschrijving
1	47131635	1	VASTE BUIS, REAR PILOT
2	47133401	1	FLEXIBELE SLANG, 1110 MM, Front Pilot Hose
3	4858607	2	WASHER, COPPER, D=12
4	10185011	1	VERBINDINGSBOUT, M12 x 1.25 x 23,
5	80165202	1	O-RING, .351"x.072"
6	82002503	1	VERBINDING, 1/2"
7	86513593	1	ELLEBOOG, 90°, 1/2"-20, 37° x 1/2"-20, 37° Fem Sw,



360 KOMPAKT TRACTOR (4/03-) - Hydraulisch Systeem

1.82.7/08(01) (VAR.124-125-157-159-591-592) 2 VERDEELBOKKEN MET JOYSTICK

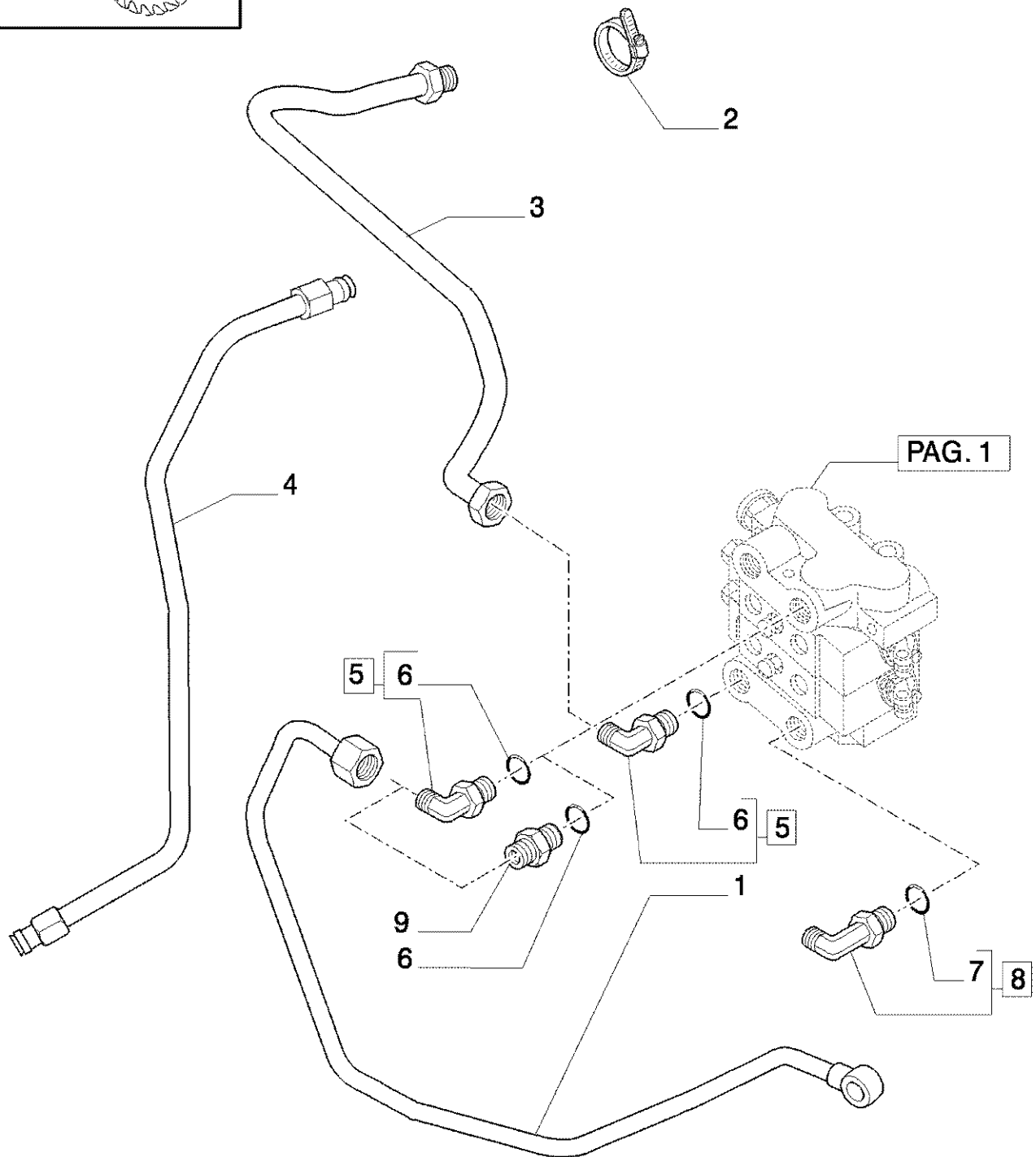
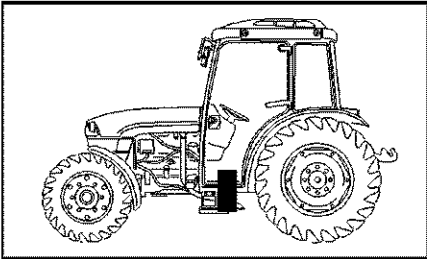
Ref	Onderdeelnummer	Kwt	Beschrijving
1	47128730	1	KONTROLEKLEP,
2	5161780	1	KONTROLEKLEP,
3	5180686	1	KONTROLEKLEP,
4	5149119	1	DEKSEL, Has counterbore on three large holes
5	10118811	1	PLUG, M22 x 1.5 x 14, CI5.8,
7	5116857	6	MOER,
8	12648304	3	SLUITRING, M10 x 17 x 1.5, M10
9	5151506	3	TREKSTANG,
10	5146467	3	RESERVERING, 19.2x20.2x2.3
12	5135739	9	O-RING, -116, CI 9, .737" ID x .103" Thk, 18.72x2.62
13	5180283	9	BORGVEER, 17x18.5x2.1
14	5146466	3	RESERVERING, 24x25x2.3
15	5149118	1	DEKSEL,
11	5146468	3	O-RING, -113, CI 9, .549" ID x .103" Thk, 13.94x2.62
6	14438085	1	O-RING, 19.3MM ID x 2.4 Thk,



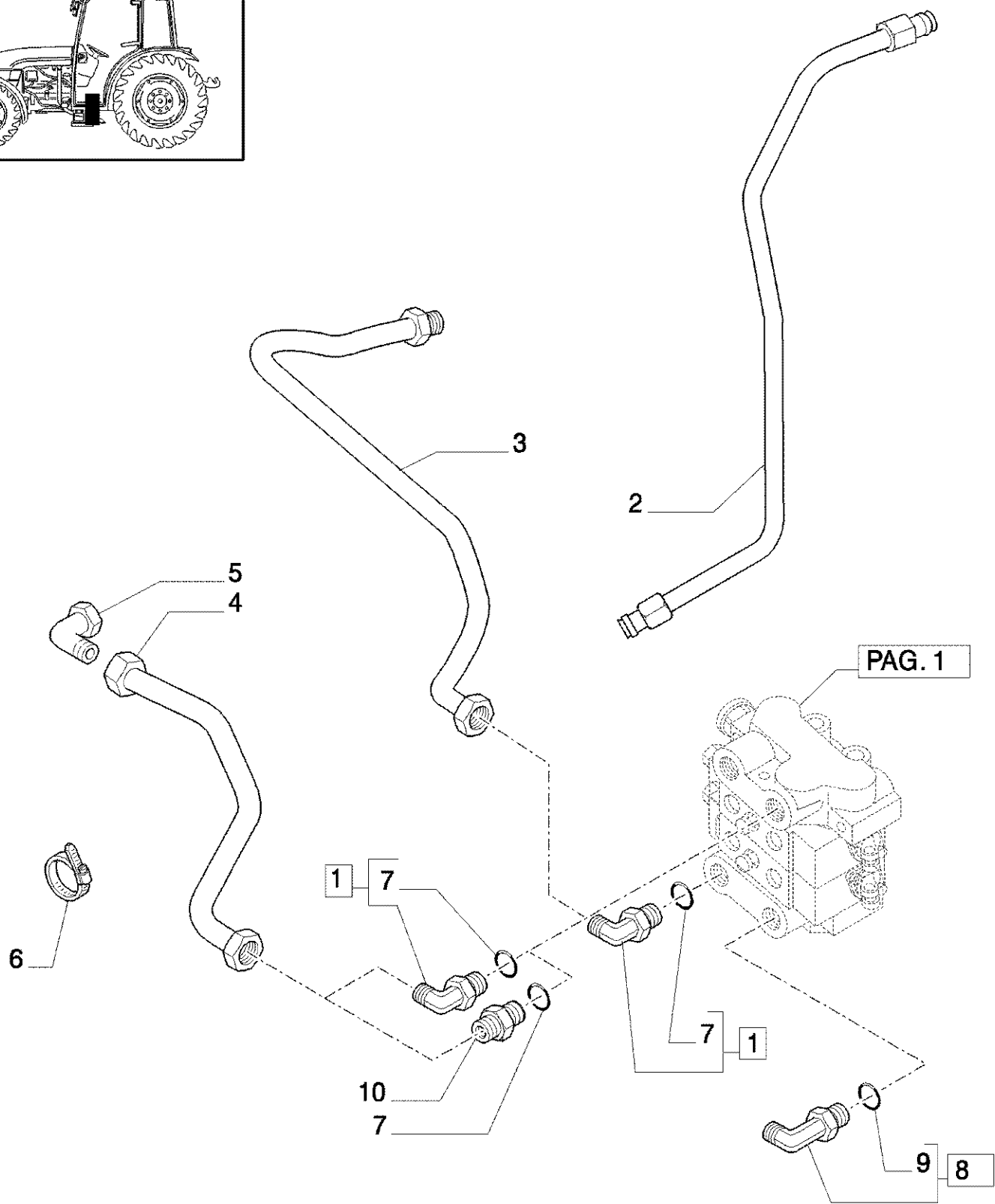
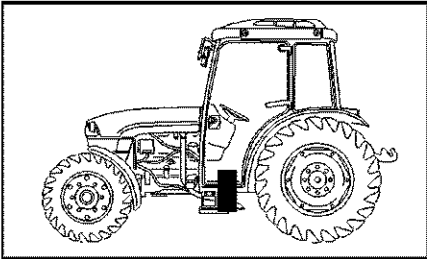
360 KOMPAKT TRACTOR (4/03-) - Hydraulisch Systeem

1.82.7/08(02) (VAR.124-125-157-159) 2 VERDEELBOKKEN MET JOYSTICK

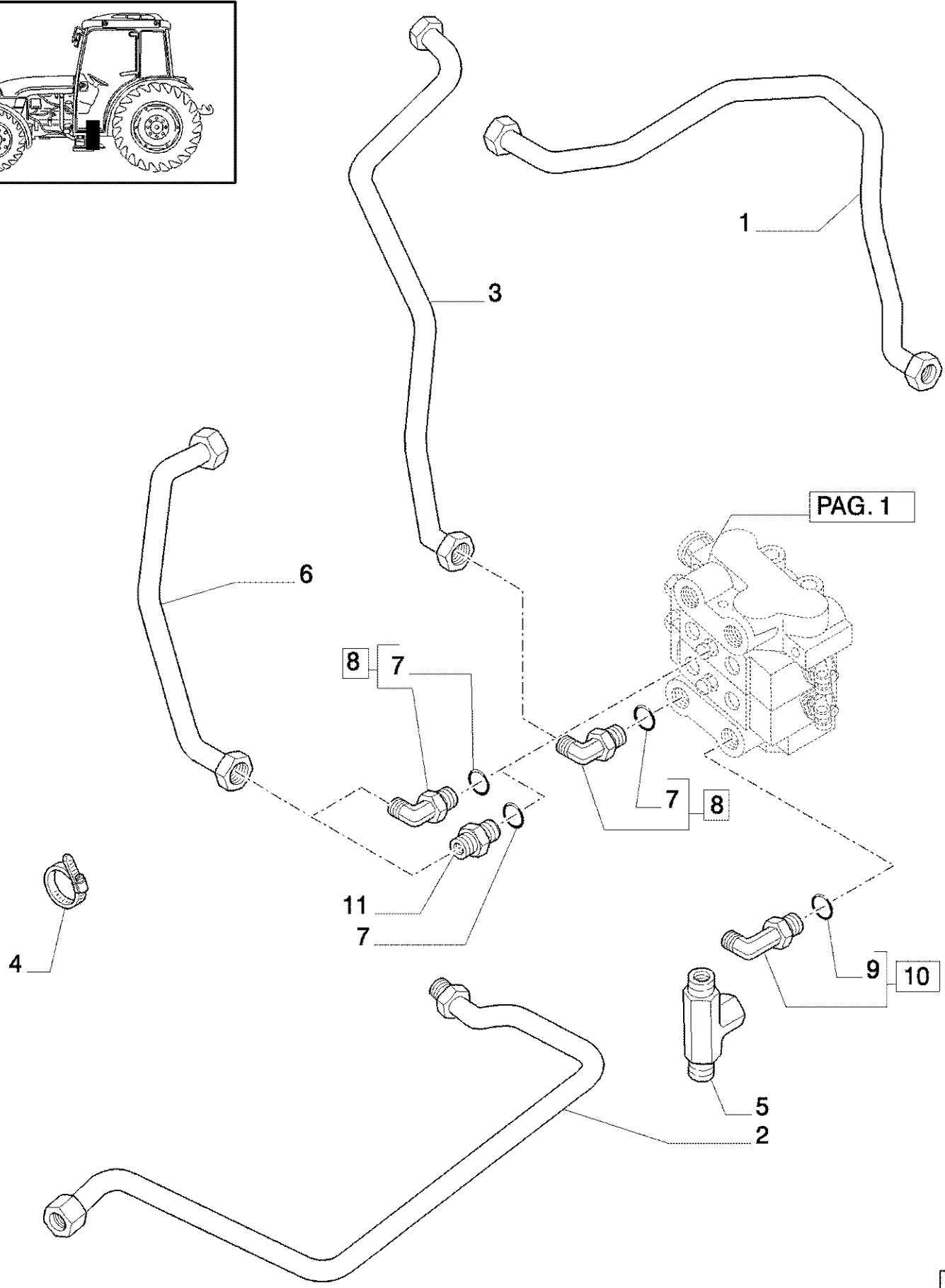
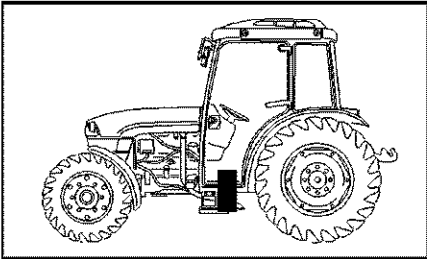
Ref	Onderdeelnummer	Kwt	Beschrijving
1	47127200	1	STEUNBEUGEL,
2	47126456	1	STEUNBEUGEL,
3	15970321	2	BOUT, Hex, M10 x 1.25 x 16, 8.8, Full Thd,
4	11343721	4	BOUT, Hex, M10 x 65, 8.8,
5	5172456	2	PEN,
6	11087776	2	BORGVEER, M6,
7	5116896	2	KETTINGSCHAKEL,
8	5167640	4	DICHTRING, 22x28
9	10118840	4	PLUG, M22 x 1.5 x 18, Brass,
10	5178877	2	GAFFEL,



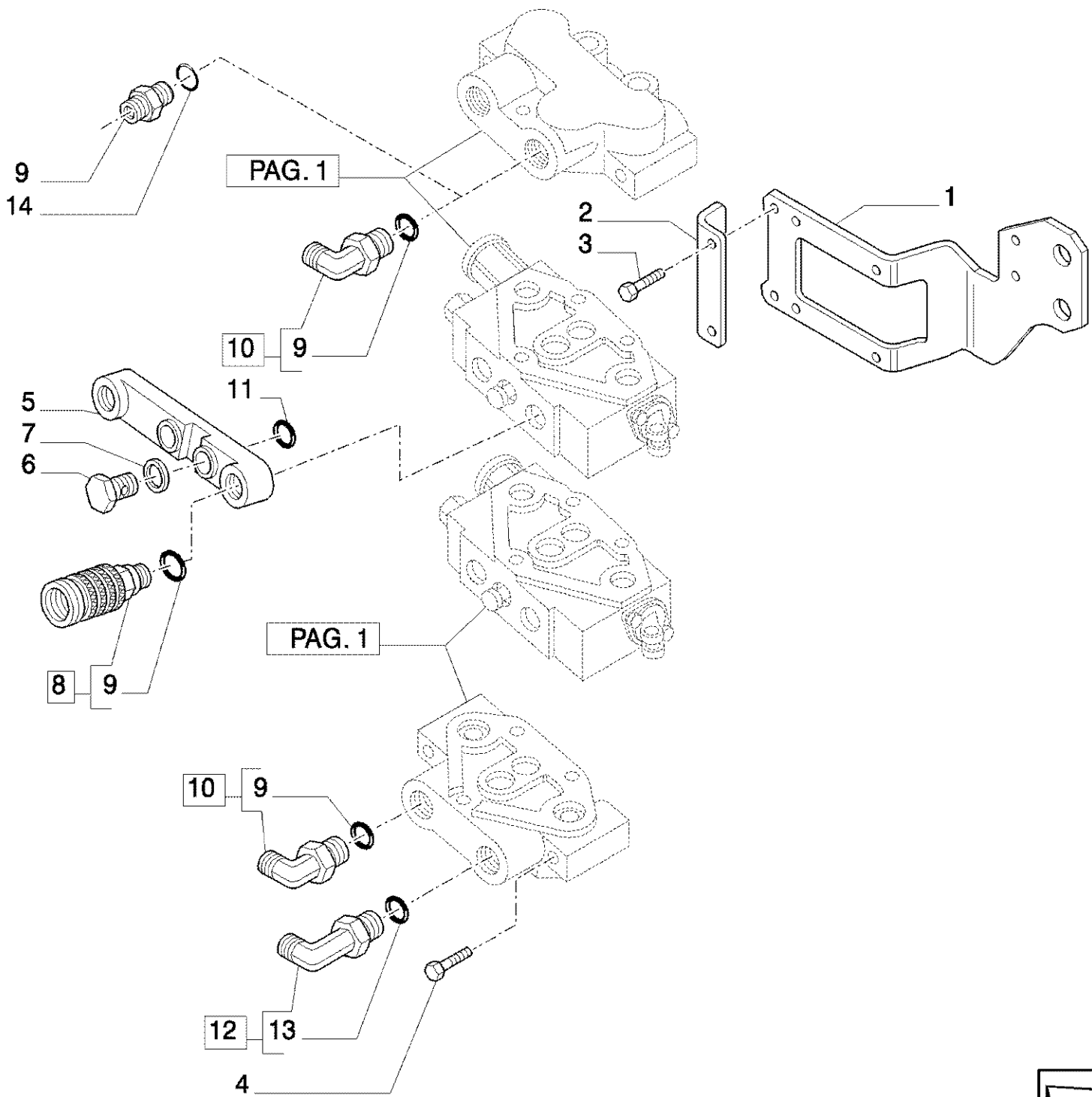
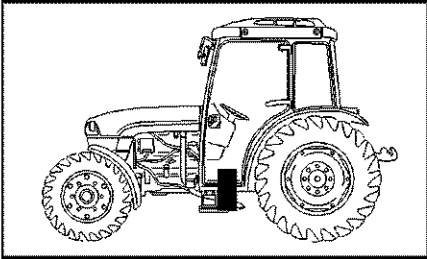
Ref	Onderdeelnummer	Kwt	Beschrijving
1	47126971	1	VASTE BUIS, Delivery, -C5122
1	87325188	1	VASTE BUIS, Delivery, D5122-
2	13001090	1	SLANGKLEM, D=70-90
3	47126969	1	VASTE BUIS,
4	47130285	1	VASTE BUIS,
5	5148919	2	ELLEBOOG, M22x1.5, 1-1/16-12, Qty. 1 After Date 27/06/05
6	14438085	2	O-RING, 19.3MM ID x 2.4 Thk,
7	14437985	1	O-RING, 15.3MM ID x 2.4 Thk,
8	47128049	1	VERBINDING,
9	5158802	1	VERBINDING, M22x1,5, D5122-



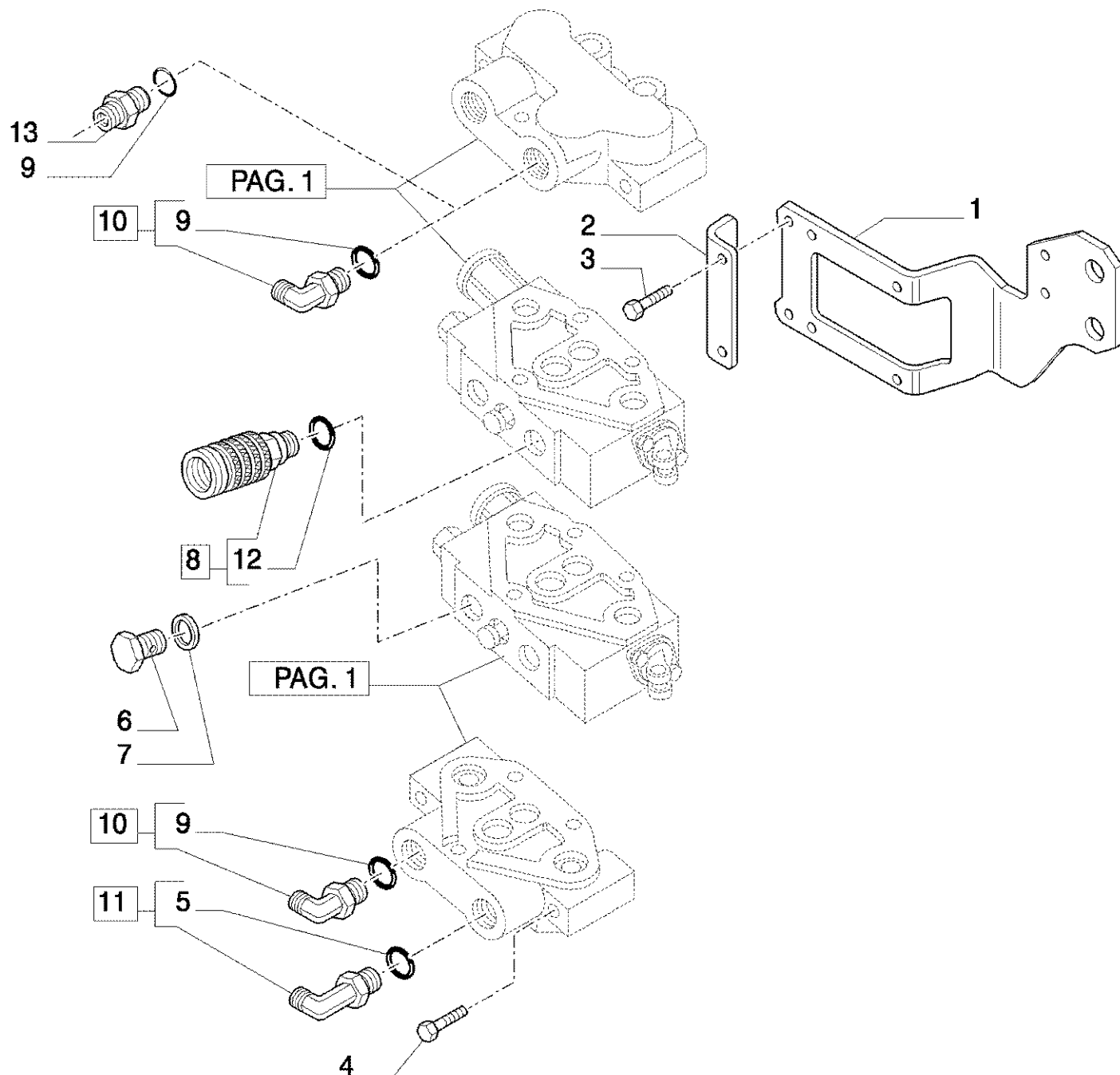
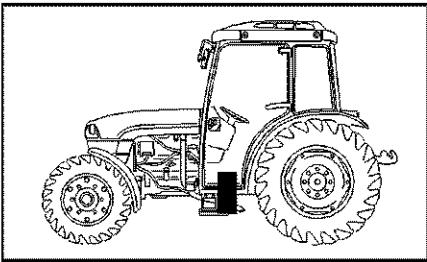
Ref	Onderdeelnummer	Kwt	Beschrijving
1	5148919	2	ELLEBOOG, M22x1.5, 1-1/16-12, Qty. 1 After Date 27/06/05
2	47130285	1	VASTE BUIS,
3	47126969	1	VASTE BUIS,
4	47126982	1	VASTE BUIS, Delivery, -C5122
4	87312679	1	VASTE BUIS, Delivery, D5122-
5	47128974	1	VERBINDING,
6	13001090	1	SLANGKLEM, D=70-90
7	14438085	2	O-RING, 19.3MM ID x 2.4 Thk,
8	47128049	1	VERBINDING,
9	14437985	1	O-RING, 15.3MM ID x 2.4 Thk,
10	5158802	1	VERBINDING, M22x1,5, D5122-



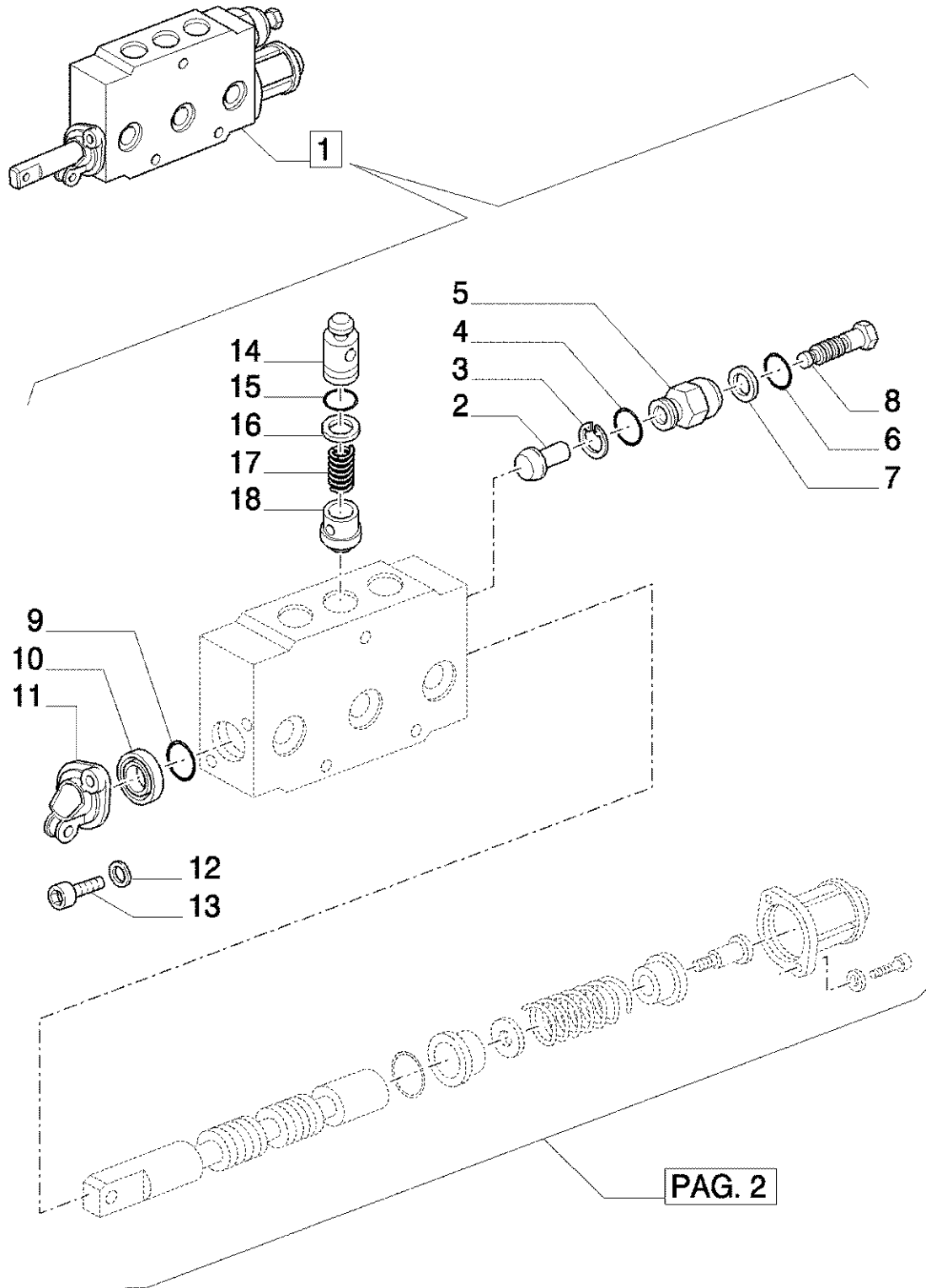
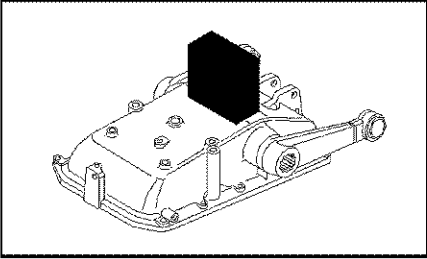
Ref	Onderdeelnummer	Kwt	Beschrijving
1	47056960	1	VASTE BUIS,
2	47126969	1	VASTE BUIS,
3	47130285	1	VASTE BUIS,
4	13001090	1	SLANGKLEM, VAR.157
5	5155596	3	3-WEG VERBINDING, D=18
6	47130292	1	VASTE BUIS, VAR.159
7	14437985	2	O-RING, 15.3MM ID x 2.4 Thk, 2.4x19.3
8	5148919	2	ELLEBOOG, M22x1.5, 1"1/16-12, Qty. 1 After Date 27/06/05
9	14437985	1	O-RING, 15.3MM ID x 2.4 Thk,
10	47128049	1	VERBINDING,
11	5158802	1	VERBINDING, M22x1,5, D5122-



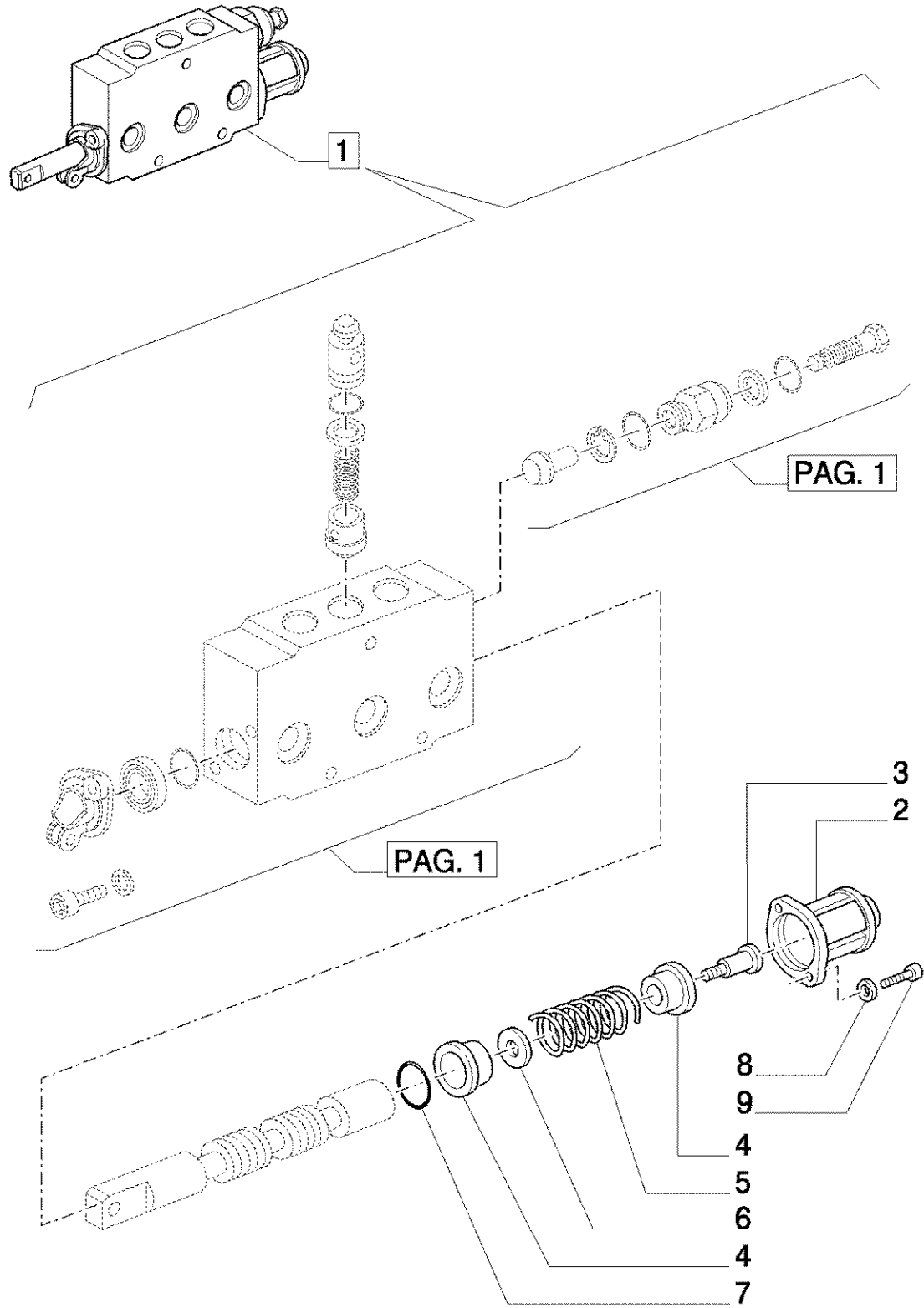
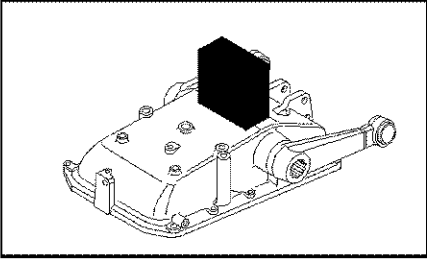
Ref	Onderdeelnummer	Kwt	Beschrijving
1	47127200	1	STEUNBEUGEL,
2	47126456	1	STEUNBEUGEL,
3	15970321	2	BOUT, Hex, M10 x 1.25 x 16, 8.8, Full Thd,
4	11343721	4	BOUT, Hex, M10 x 65, 8.8,
5	5185533	2	VERBINDING,
6	5168481	4	VERBINDINGSBOUT,
7	14437985	4	O-RING, 15.3MM ID x 2.4 Thk,
8	5179557	4	KOPPELINGSSCHIJF, 2,4 x 19,3
9	14438085	7	O-RING, 19.3MM ID x 2.4 Thk,
10	5148919	2	ELLEBOOG, M22x1.5, 1-1/16-12, Qty. 1 After Date 27/06/05
11	86977728	4	O-RING, -116, 70 Duro, .737" ID x .103" Thk,
12	47128049	1	VERBINDING,
13	14437985	1	O-RING, 15.3MM ID x 2.4 Thk,
14	5158802	1	VERBINDING, M22x1,5



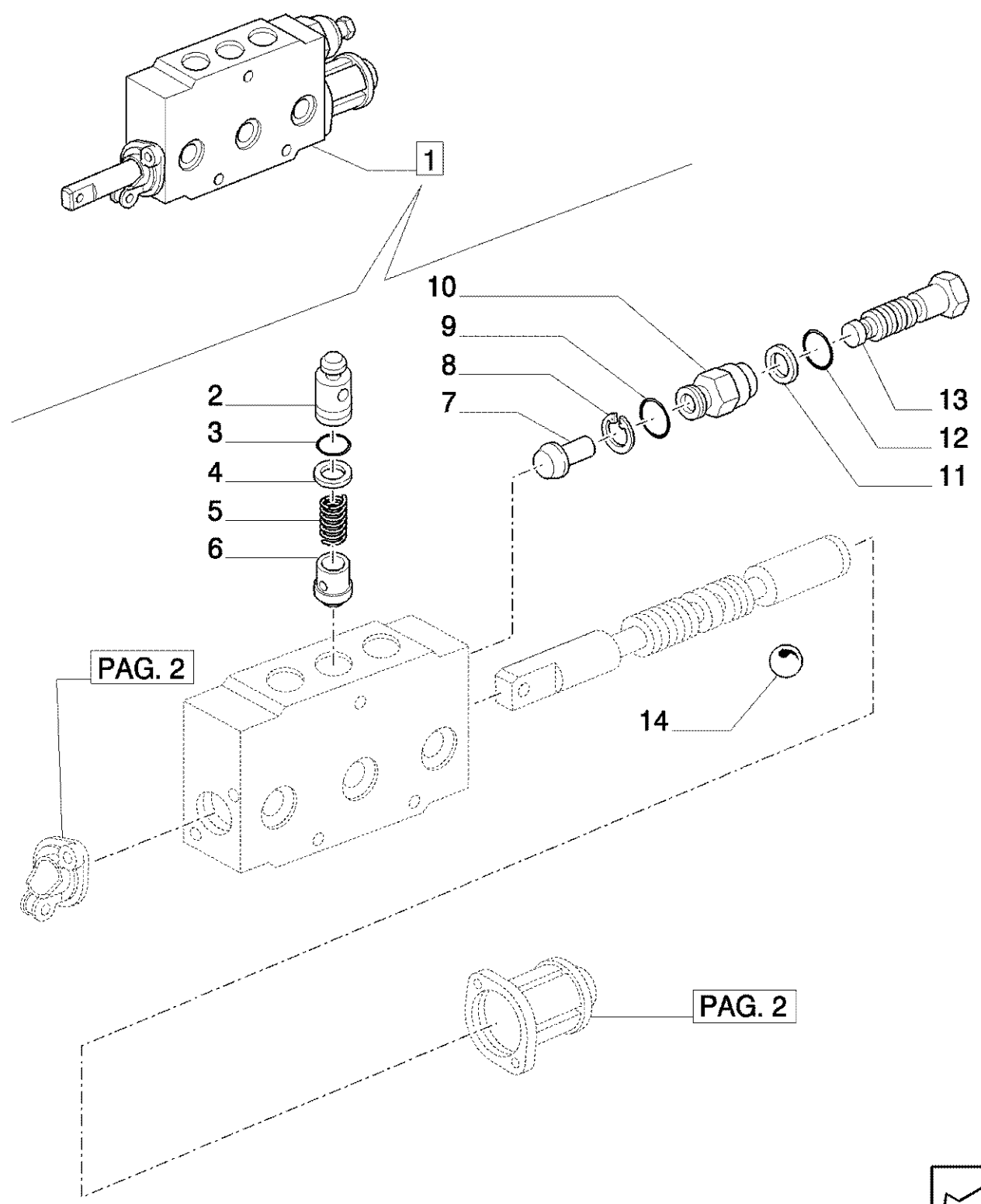
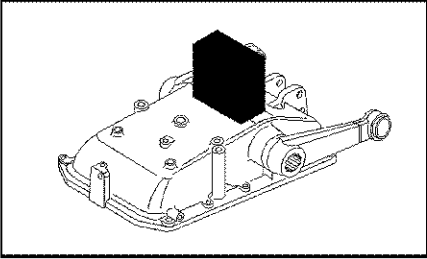
Ref	Onderdeelnummer	Kwt	Beschrijving
1	47127200	1	STEUNBEUGEL,
2	47126456	1	STEUNBEUGEL,
3	15970321	2	BOUT, Hex, M10 x 1.25 x 16, 8.8, Full Thd,
4	11343721	4	BOUT, Hex, M10 x 65, 8.8,
5	14437985	1	O-RING, 15.3MM ID x 2.4 Thk,
6	10300840	2	PLUG,
7	5167640	2	DICHTRING, 2.4x15.3
8	5179556	2	SNELKOPPELING, 2,4 x 19,3
9	14438085	3	O-RING, 19.3MM ID x 2.4 Thk,
10	5148919	2	ELLEBOOG, M22x1.5, 1-1/16-12, Qty. 1 After Date 27/06/05
11	47128049	1	VERBINDING,
12	10259960	2	DICHTRING, M18.3 x 24 x 1.5,
13	5158802	1	VERBINDING, M22x1,5, D5122-



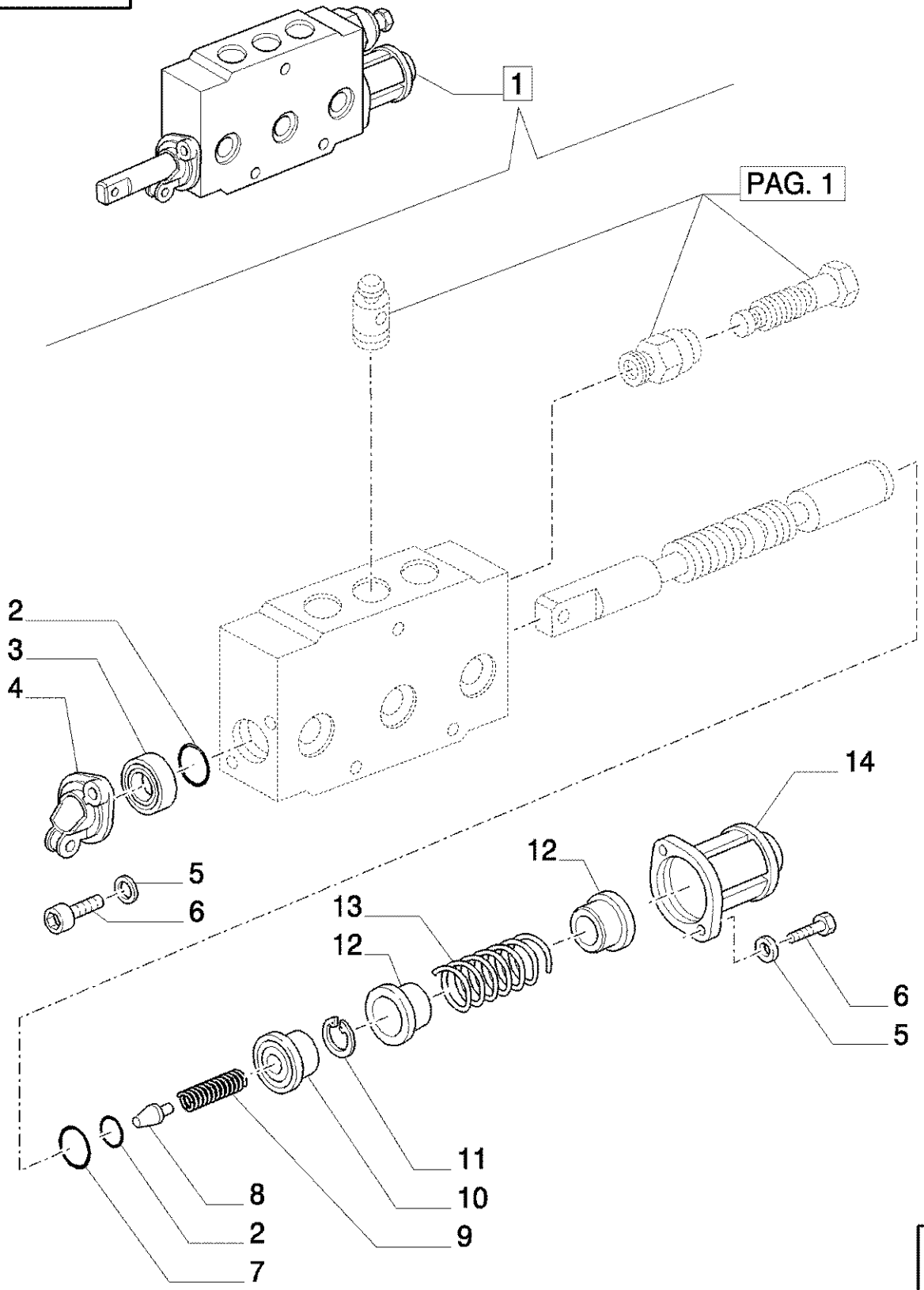
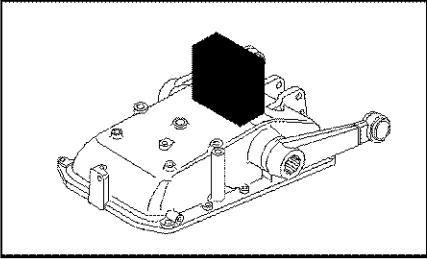
Ref	Onderdeelnummer	Kwt	Beschrijving
1	5161780	1	KONTROLEKLEP, ASSY
2	5136347	1	PEN,
3	11087871	1	BORGVEER, M7,
4	5135739	1	O-RING, -116, CI 9, .737" ID x .103" Thk, 18.72x2.62
5	5136346	1	LICHAAM,
6	5120772	1	O-RING,
7	5120771	1	RESERVERING,
8	5136348	1	PEN,
9	5135734	1	O-RING, -016, CI 9, .614" ID x .070" Thk,
10	5116889	1	OLIESCHRAAPRING,
11	5116887	1	STEUN,
12	11197774	2	WASHER, SPRING, Belleville, M6.4,
13	5124338	2	SCHROEF,
14	5135835	1	KLEPGELEIDER,
15	5138508	1	RESERVERING,
17	5116884	1	VEER,
18	5116886	1	PEN,
16	5135732	1	O-RING, -013, CI 9, .426" ID x .070" Thk, 414"x.072"



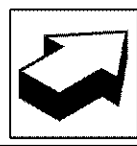
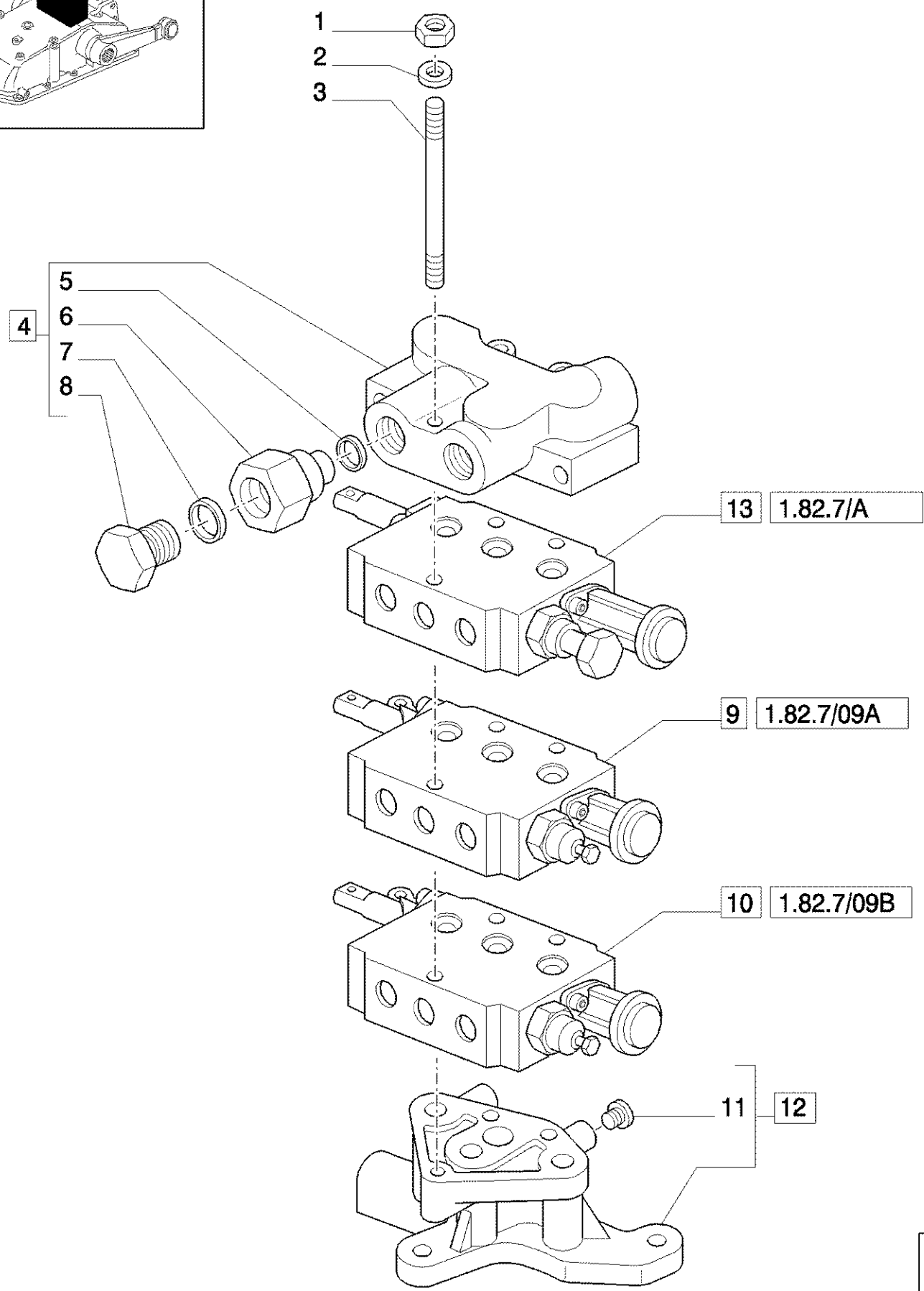
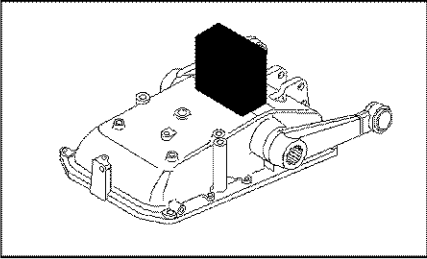
Ref	Onderdeelnummer	Kwt	Beschrijving
1	5161780	1	KONTROLEKLEP, ASSY
2	5116895	1	DEKSEL,
3	5116894	1	SCHROEF,
4	5116891	2	KOM,
5	5116893	1	VEER,
6	5116892	1	AFSTANDSRING,
7	5135734	1	O-RING, -016, CI 9, .614" ID x .070" Thk,
8	11197774	2	WASHER, SPRING, Belleville, M6.4,
9	5124338	2	SCHROEF,



Ref	Onderdeelnummer	Kwt	Beschrijving
1	5180686	1	KONTROLEKLEP, ASSY
2	5135835	1	KLEPGELEIDER,
4	5138508	1	RESERVERING,
5	5116884	1	VEER,
6	5116886	1	PEN,
7	5136347	1	PEN,
8	11087871	1	BORGVEER, M7,
9	5135739	1	O-RING, -116, CI 9, .737" ID x .103" Thk, 18.72x2.62
10	5136346	1	LICHAAM,
11	5120771	1	RESERVERING,
12	5120772	1	O-RING, 1.78x6.75
13	5136348	1	PEN,
14	20419300	4	KOGEL,
3	5135732	1	O-RING, -013, CI 9, .426" ID x .070" Thk, 414"x.072"



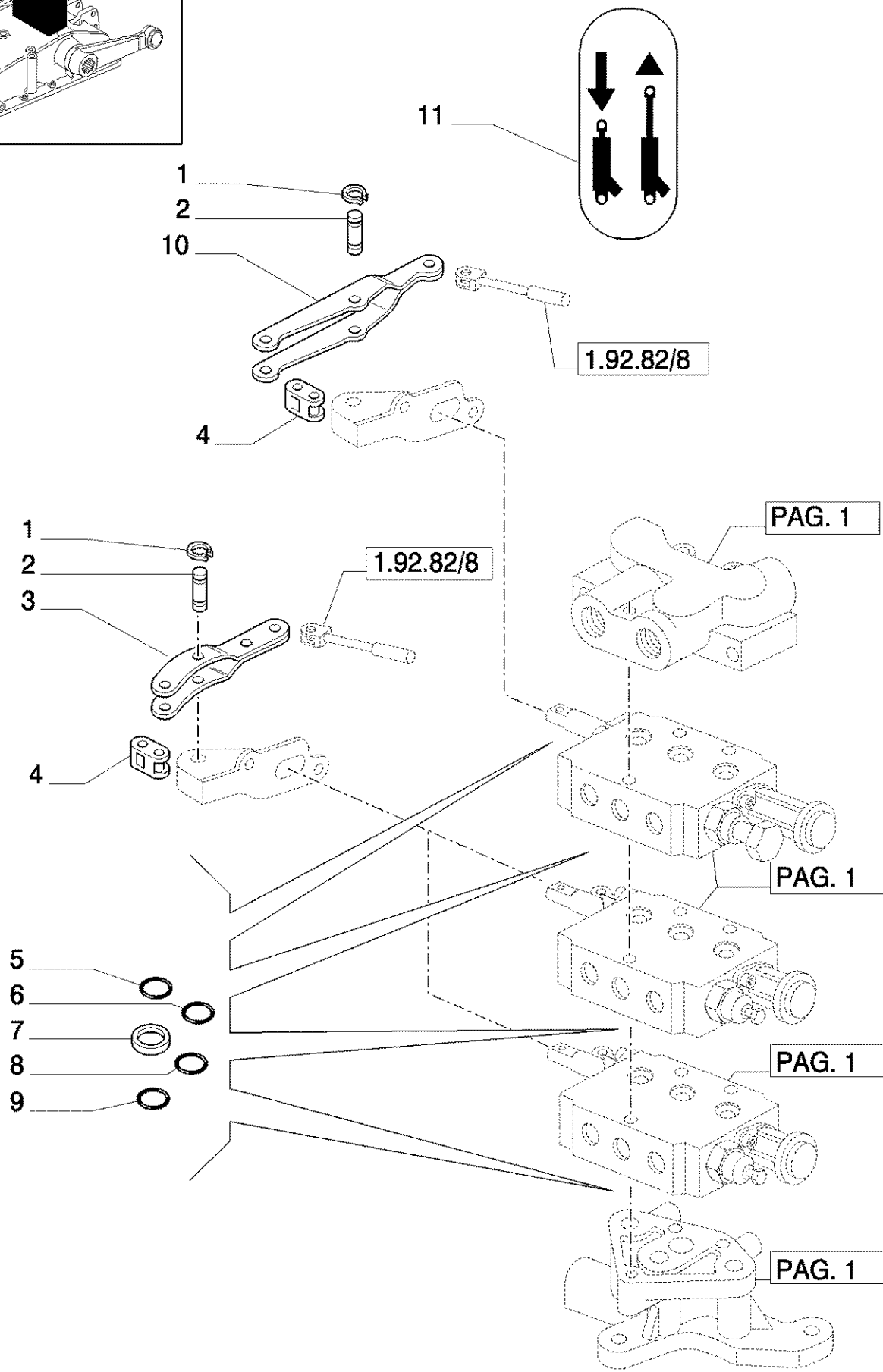
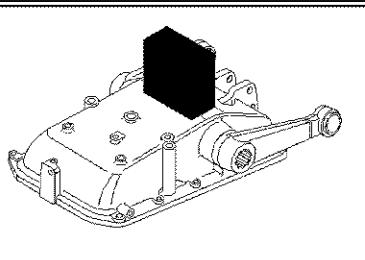
Ref	Onderdeelnummer	Kwt	Beschrijving
1	5180686	1	KONTROLEKLEP, ASSY
2	5135734	2	O-RING, -016, CI 9, .614" ID x .070" Thk, 1.78x15.60
3	5116889	1	OLIESCHRAAPRING,
4	5116887	1	STEUN,
5	11197774	4	WASHER, SPRING, Belleville, M6.4,
6	5124338	4	SCHROEF,
7	5135736	1	O-RING, -019, CI 9, .801" ID x .070" Thk, 1.78x20.35
8	5179065	1	PEN,
9	5118362	1	VEER,
10	5179068	1	LAGERBUS,
11	5140823	1	RING,
12	5118361	2	SLOT,
13	5188565	1	VEER,
14	5118364	1	DEKSEL,



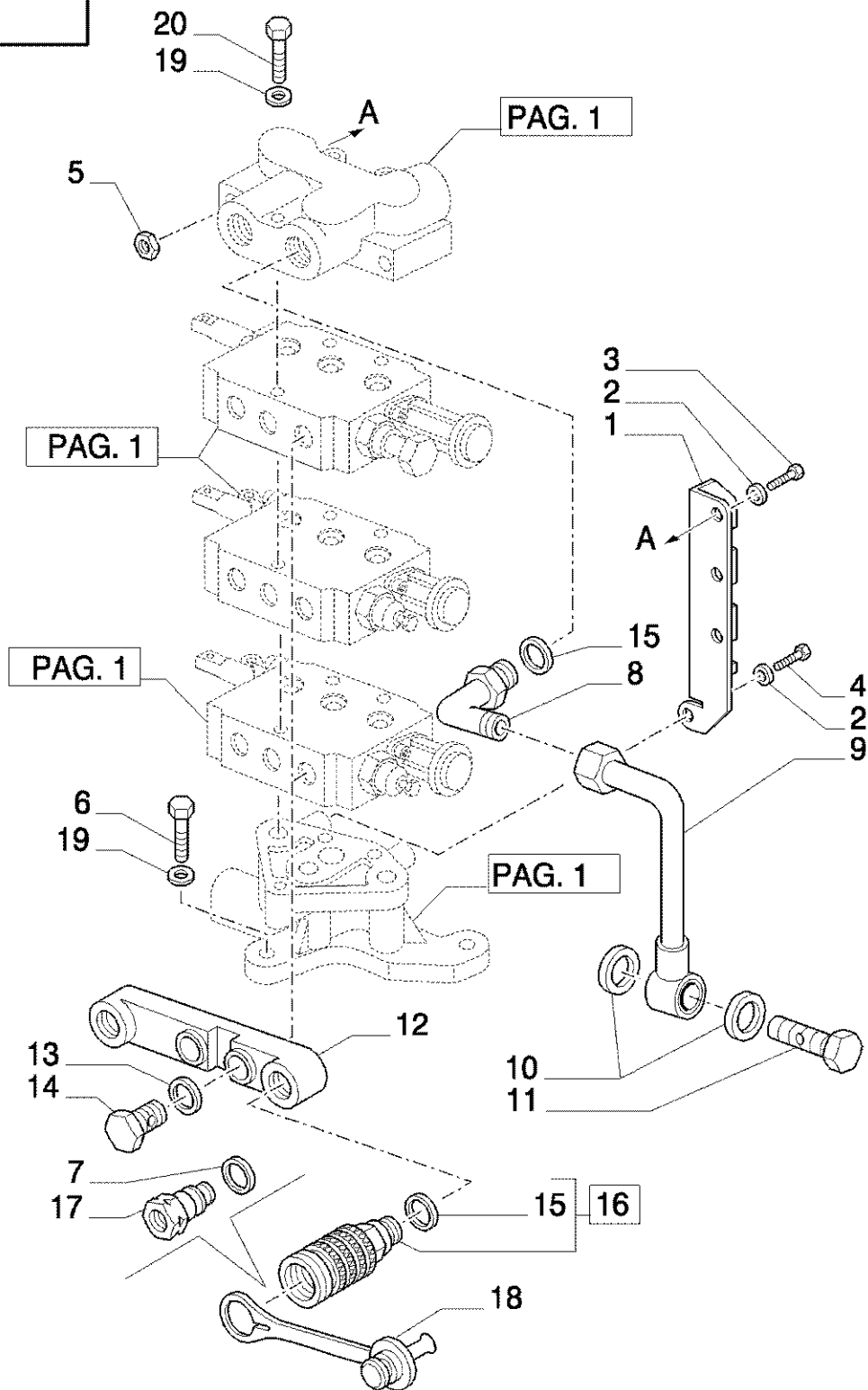
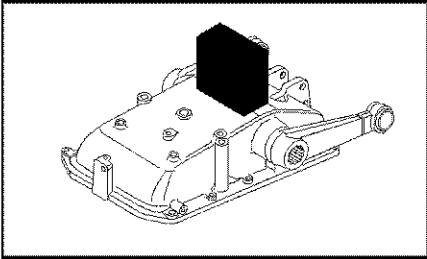
360 KOMPAKT TRACTOR (4/03-) - Hydraulisch Systeem

1.82.7/09(01) (VAR.164) 3 VERDEELBOKKEN VOOR MDC - VERDEELBOKKEN

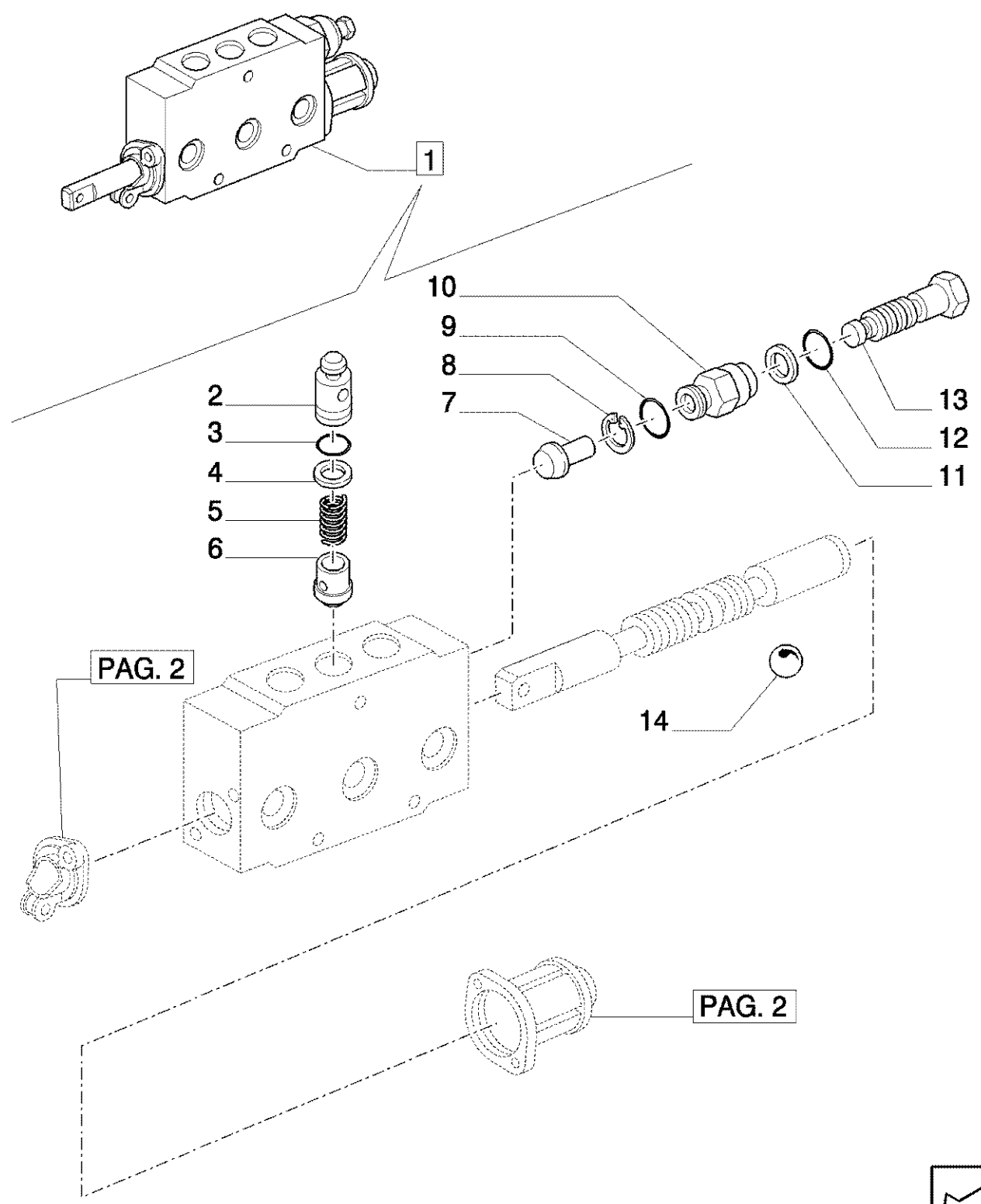
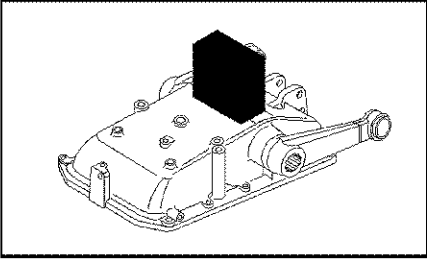
Ref	Onderdeelnummer	Kwt	Beschrijving
1	5116857	6	MOER, 3/8"
2	12648304	3	SLUITRING, M10 x 17 x 1.5,
3	5151505	3	TREKSTANG,
4	5173758	1	STEUN, ASSY
6	5174043	1	VERBINDING,
7	80167266	1	O-RING, 90 Duro, .924" IDx .116"Thk
8	83957506	1	PLUG, 3/4"-14 (B)
9	5171283	1	KONTROLEKLEP,
10	5186854	1	KONTROLEKLEP,
11	10269601	1	PLUG, M16
12	5176800	1	FLENS,
13	5186278	1	KONTROLEKLEP,
5	14438085	1	O-RING, 19.3MM ID x 2.4 Thk,



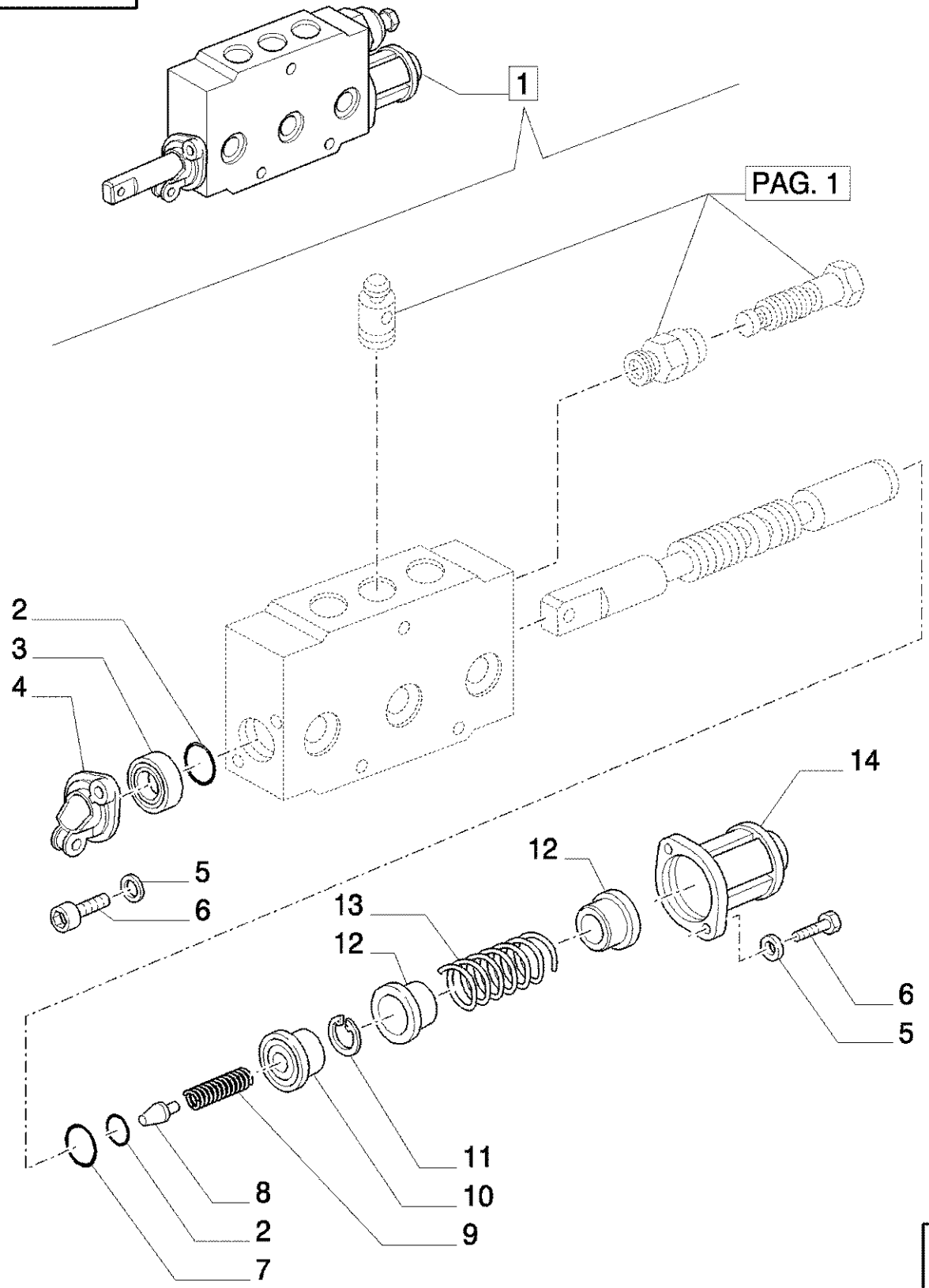
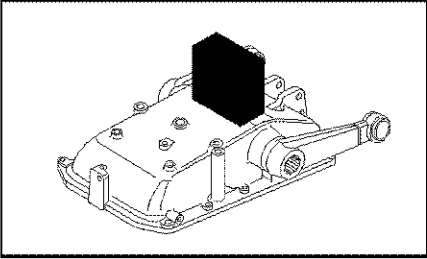
Ref	Onderdeelnummer	Kwt	Beschrijving
1	11087776	3	BORGVEER, M6,
2	5172456	3	PEN,
3	5178877	2	GAFFEL,
4	5116896	3	KETTINGSCHAKEL,
5	5180283	12	BORGVEER, MM18.72
6	5146467	4	RESERVERING, MM19.2
7	5146466	4	RESERVERING, MM24
9	5135739	12	O-RING, -116, CI 9, .737" ID x .103" Thk, M18.72 ID x2.62 THK
10	5178183	1	GAFFEL,
11	5185505	1	DECAL,
8	5146468	4	O-RING, -113, CI 9, .549" ID x .103" Thk, M13.94 IDx2.62 THK



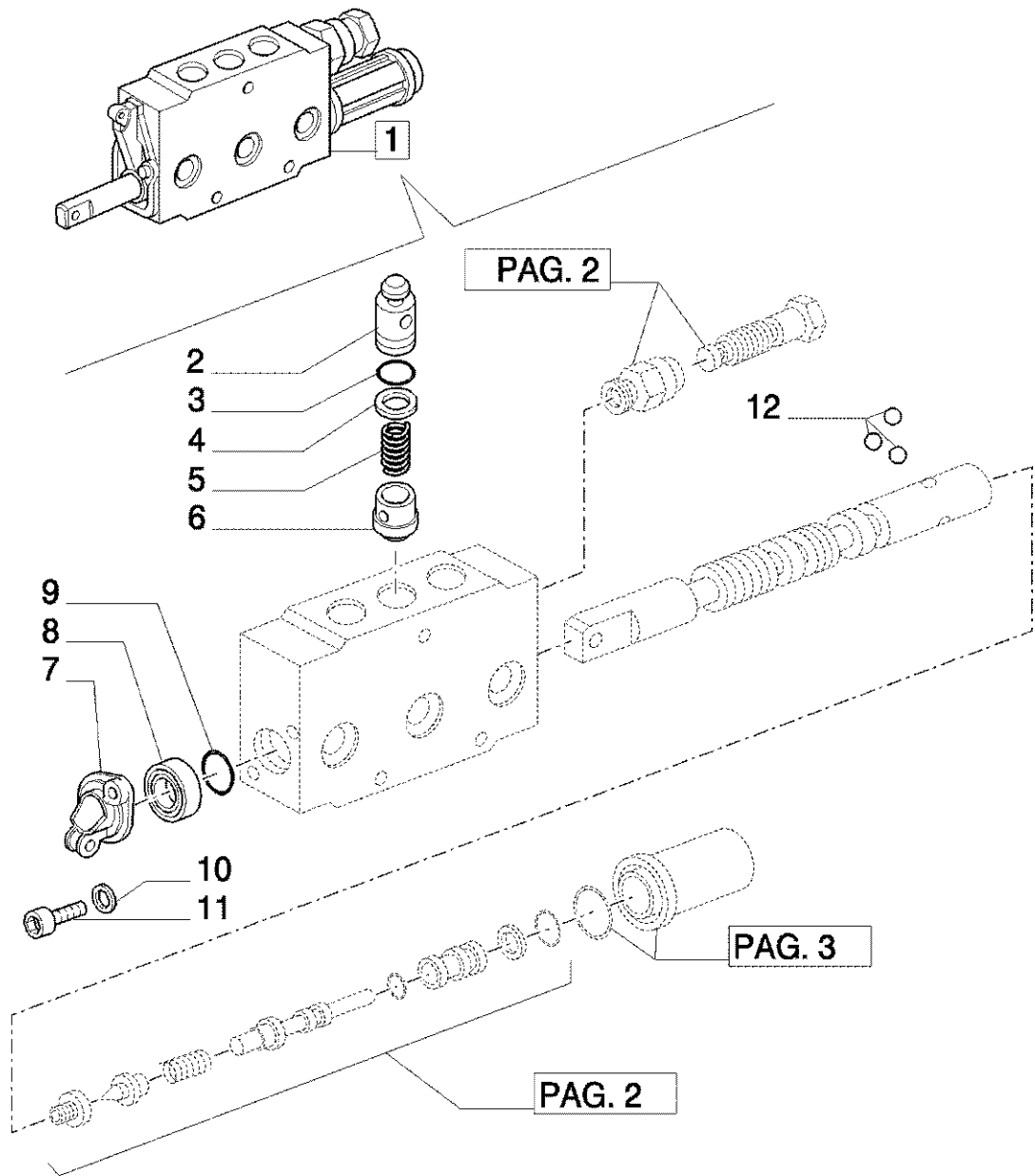
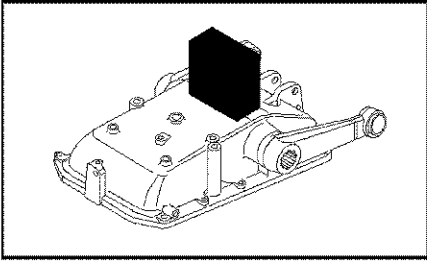
Ref	Onderdeelnummer	Kwt	Beschrijving
1	5178435	1	STEUNBEUGEL,
2	11190574	2	WASHER, SPRING, Belleville, M10.5,
3	15888824	2	BOUT, Hex, M10 x 1.25 x 70, 8.8,
4	15970524	2	BOUT, Hex, M10 x 1.25 x 20, 8.8, Full Thd,
5	12164714	2	MOER, M10 x 1.25, CI 8, M10
6	15540424	3	BOUT, Hex, M12 x 1.25 x 30, 8.8, Full Thd,
7	14437985	6	O-RING, 15.3MM ID x 2.4 Thk,
8	5158364	1	VERBINDING, INCL.15
9	5173696	1	VASTE BUIS,
10	5186176	2	DICHTRING, D=18
11	5184345	1	VERBINDINGSBOUT,
12	5185533	3	VERBINDING,
13	14457480	4	O-RING, -116, 70 Duro, .737" ID x .103" Thk,
14	5168481	6	VERBINDINGSBOUT, M18
15	14438085	7	O-RING, 19.3MM ID x 2.4 Thk,
16	5179557	6	KOPPELINGSSCHIJF,
17	5101741	6	SNELKOPPELING, 90 Duro, 351"IDx .072" Thk
18	5179576	2	PLUG, GREEN
18	5179577	2	PLUG, BLUE
18	5179578	2	PLUG, BROWN
19	13507401	1	SLUITRING, M12 x 20 x 2,
20	15540724	1	BOUT, Hex, M12 x 1.25 x 45, 8.8,



Ref	Onderdeelnummer	Kwt	Beschrijving
1	5171283	1	KONTROLEKLEP, ASSY
2	5135835	1	KLEPGELEIDER,
4	5138508	1	RESERVERING,
5	5116884	1	VEER,
6	5116886	1	PEN,
7	5136347	1	PEN,
8	11087871	1	BORGVEER, M7,
9	5135739	1	O-RING, -116, CI 9, .737" ID x .103" Thk, 9.62x18.72
10	5136346	1	LICHAAM,
11	5120771	1	RESERVERING,
12	5120772	1	O-RING, 1.78x6.75
13	5136348	1	PEN,
14	20419300	4	KOGEL,
3	5135732	1	O-RING, -013, CI 9, .426" ID x .070" Thk, 90 DURO, .414" IDx .072" THK



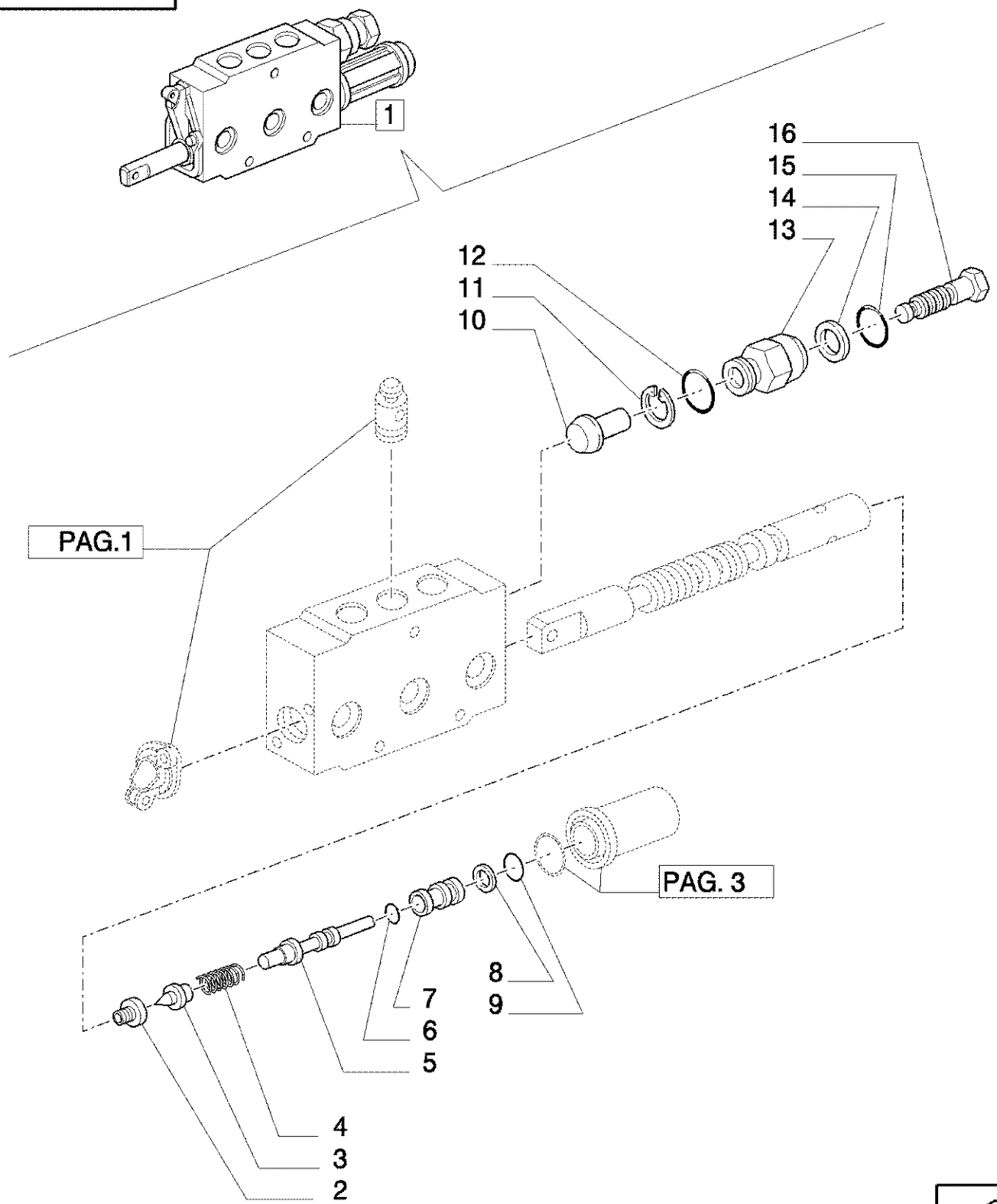
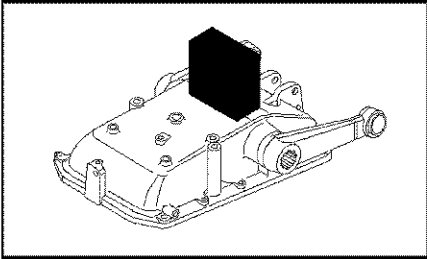
Ref	Onderdeelnummer	Kwt	Beschrijving
1	5171283	1	KONTROLEKLEP, ASSY
2	5135734	2	O-RING, -016, CI 9, .614" ID x .070" Thk, 1.78x15.60
3	5116889	1	OLIESCHRAAPRING,
4	5172326	1	STEUN,
5	11197774	4	WASHER, SPRING, Belleville, M6.4,
6	5124338	4	SCHROEF,
7	5135736	1	O-RING, -019, CI 9, .801" ID x .070" Thk, 1.78x20.35
8	5179065	1	PEN,
9	5118362	1	VEER,
10	5179068	1	LAGERBUS,
11	5140823	1	RING,
12	5118361	2	SLOT,
13	5188565	1	VEER, L=46 O.D.=28
14	5118364	1	DEKSEL,



360 KOMPAKT TRACTOR (4/03-) - Hydraulisch Systeem

1.82.7/09B(01) (VAR.195) VERDEELBOK DUBBEL EFFECT MET FLOAT EN AUTOMATISCH LOSHAKEN

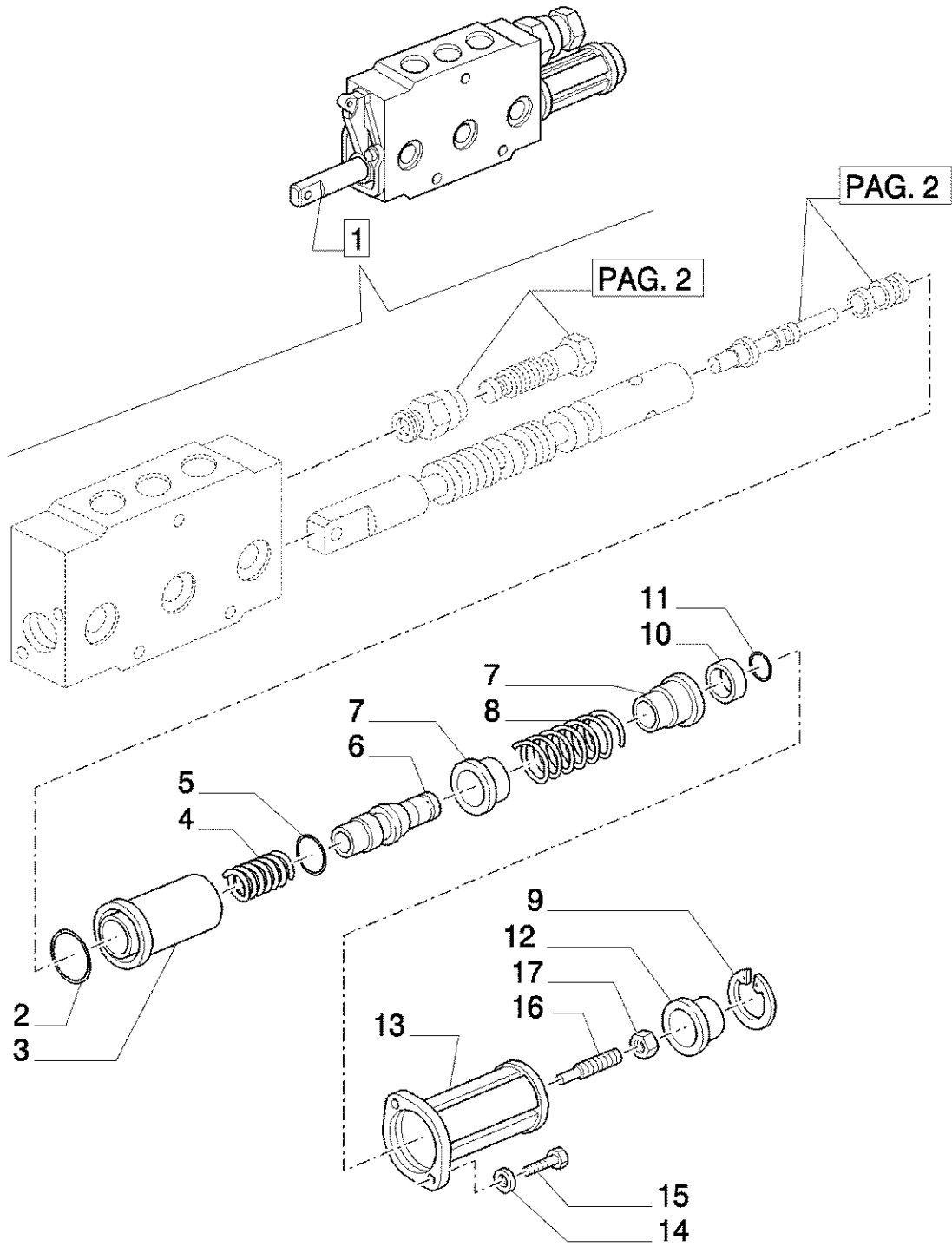
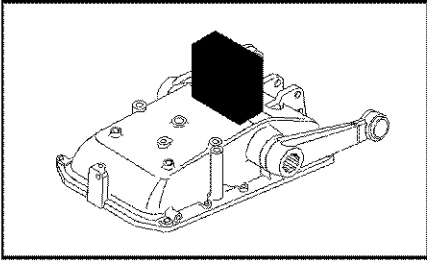
Ref	Onderdeelnummer	Kwt	Beschrijving
1	5186854	1	KONTROLEKLEP, ASSY
2	5135835	1	KLEPGELEIDER,
4	5138508	1	RESERVERING,
5	5116884	1	VEER,
6	5116886	1	PEN,
7	5116887	1	STEUN,
8	5116889	1	OLIESCHRAAPRING,
9	5135734	1	O-RING, -016, CI 9, .614" ID x .070" Thk, 1.78x15.60
10	11197774	2	WASHER, SPRING, Belleville, M6.4,
11	5124338	2	SCHROEF,
12	20063420	3	KOGEL,
3	5135732	1	O-RING, -013, CI 9, .426" ID x .070" Thk, 90 DURO, .414" IDX .072" THK



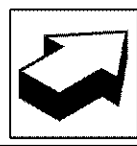
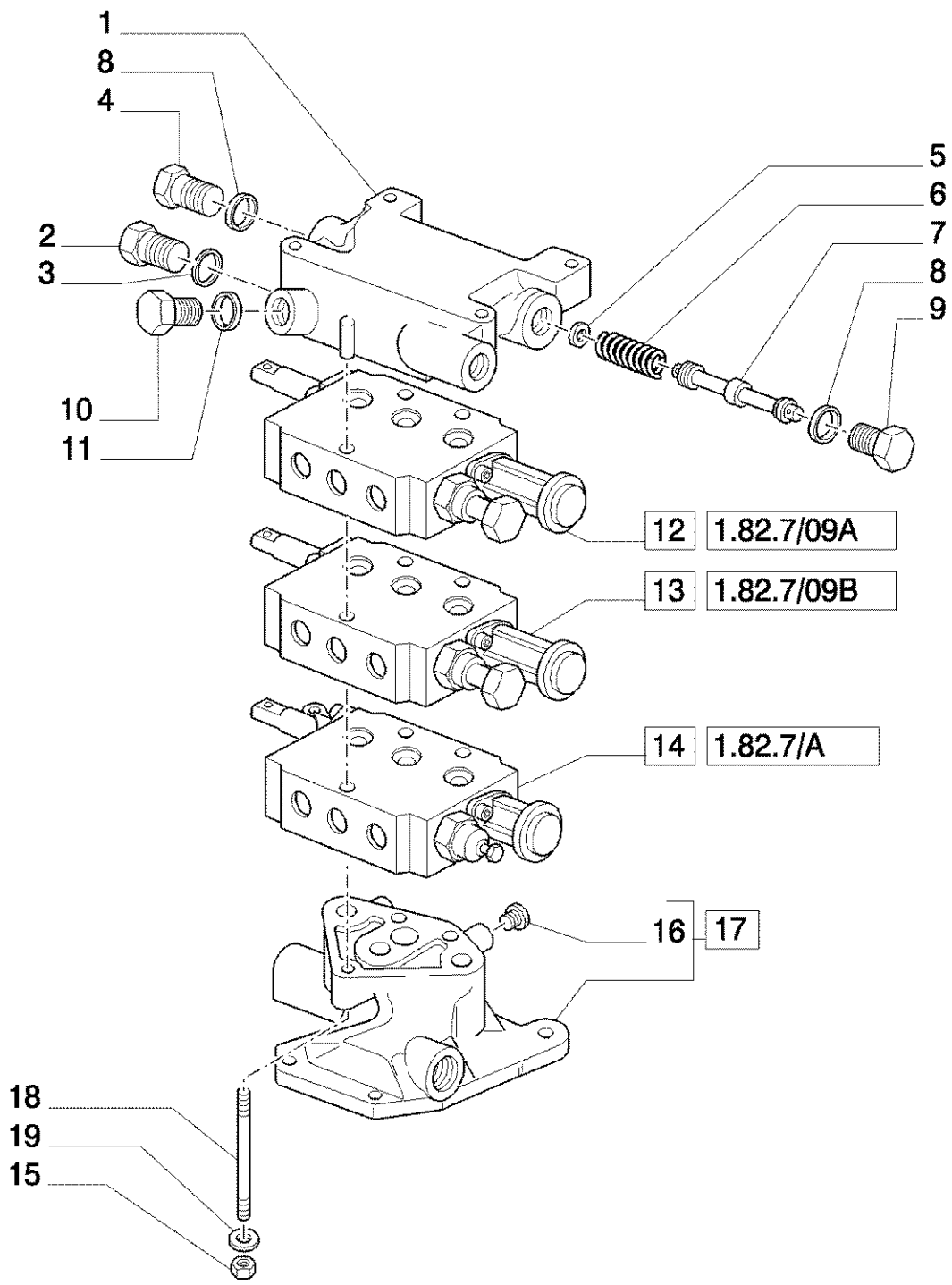
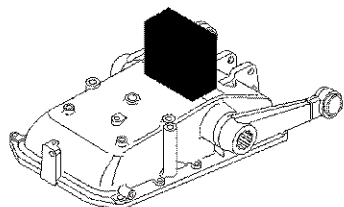
360 KOMPAKT TRACTOR (4/03-) - Hydraulisch Systeem

1.82.7/09B(02) (VAR.195) VERDEELBOK DUBBEL EFFECT MET FLOAT EN AUTOMATISCH LOSHAKEN

Ref	Onderdeelnummer	Kwt	Beschrijving
1	5186854	1	KONTROLEKLEP, ASSY
2	5143554	1	PLUG,
3	5143555	1	POPPET,
4	5143556	1	VEER,
5	5143557	1	PEN,
6	5143558	1	O-RING, 1.78x2.57
7	5163363	1	LAGERBUS,
8	5143560	1	RING,
9	575094	1	O-RING, 1.78x873
10	5136347	1	PEN,
11	11087876	1	BORGVEER, M7,
12	5135739	1	O-RING, -116, CI 9, .737" ID x .103" Thk, M18.72 IDx2.62 THK
13	5136346	1	LICHAAM,
14	5120771	1	RESERVERING,
15	5120772	1	O-RING, 1.78x6.75
16	5136348	1	PEN,



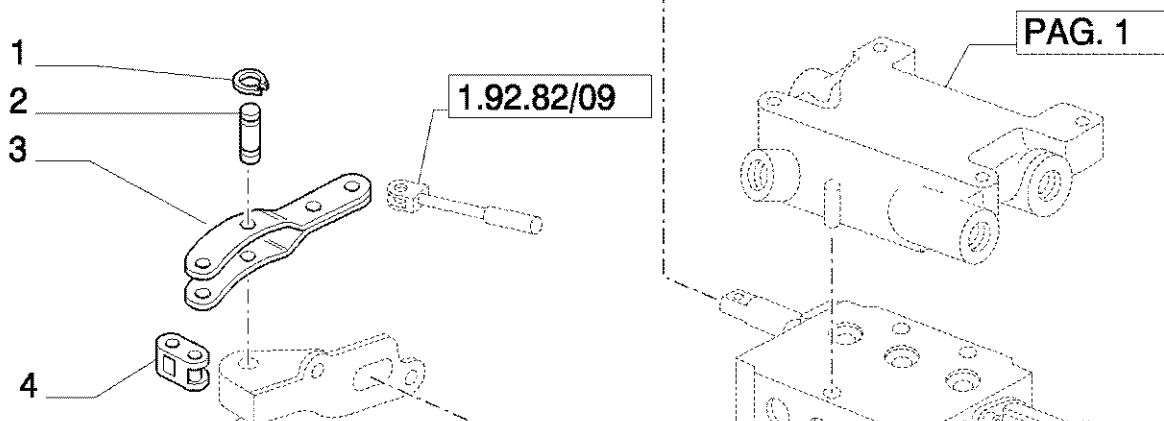
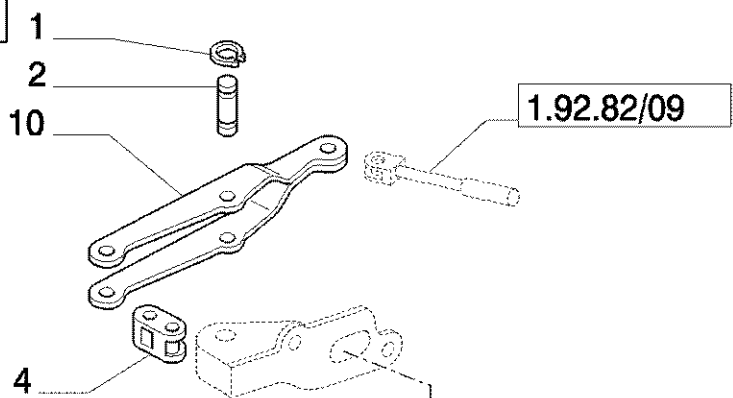
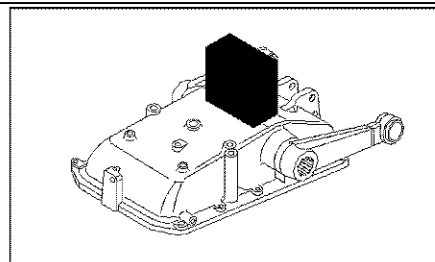
Ref	Onderdeelnummer	Kwt	Beschrijving
1	5186854	1	KONTROLEKLEP, ASSY
2	5135736	1	O-RING, -019, CI 9, .801" ID x .070" Thk, 1.78x20.35
3	5179066	1	LAGERBUS,
4	5163369	1	VEER,
5	5135734	1	O-RING, -016, CI 9, .614" ID x .070" Thk, 1.78x15.60
6	5163365	1	PLUG,
7	5143564	2	KOM,
8	5116893	1	VEER,
9	5143575	1	KOM,
10	5143576	1	AFSTANDSRING,
11	5143577	1	RING,
12	5143578	1	AFSTANDSRING,
13	5143566	1	FLENSBEDEKKING,
14	11197774	2	WASHER, SPRING, Belleville, M6.4,
15	5143621	2	SCHROEF,
16	5163362	1	AFSTELSCHROEF,
17	15896421	1	MOER, M5, CI 10,
18	5143567	1	DEKSEL,
19	13421276	1	RING, SNAP, M28, Int,



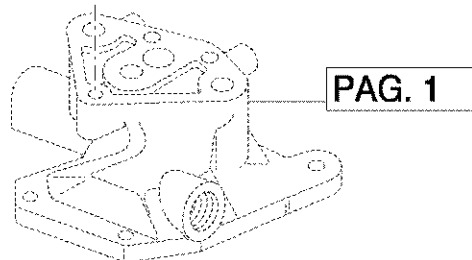
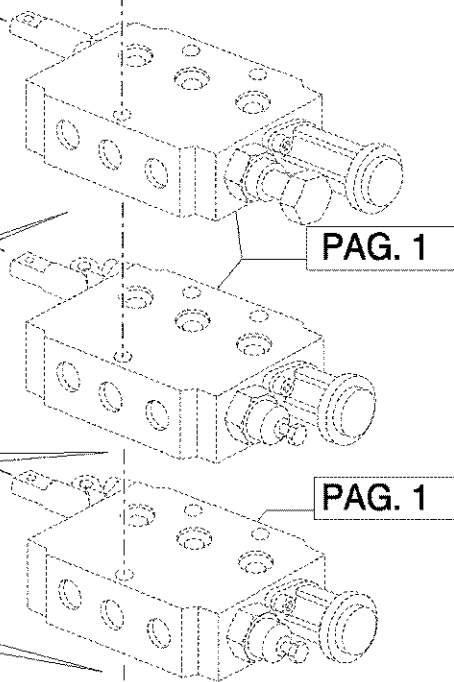
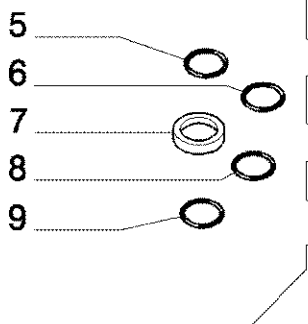
360 KOMPAKT TRACTOR (4/03-) - Hydraulisch Systeem

1.82.7/10(01) (VAR.164) 3 VERDEELBOKKEN VOOR EDC (1 S/D EF.+1 S/D EF.CON FL+1 S/D EF.CON FL.) - VERDEELBOKKEN

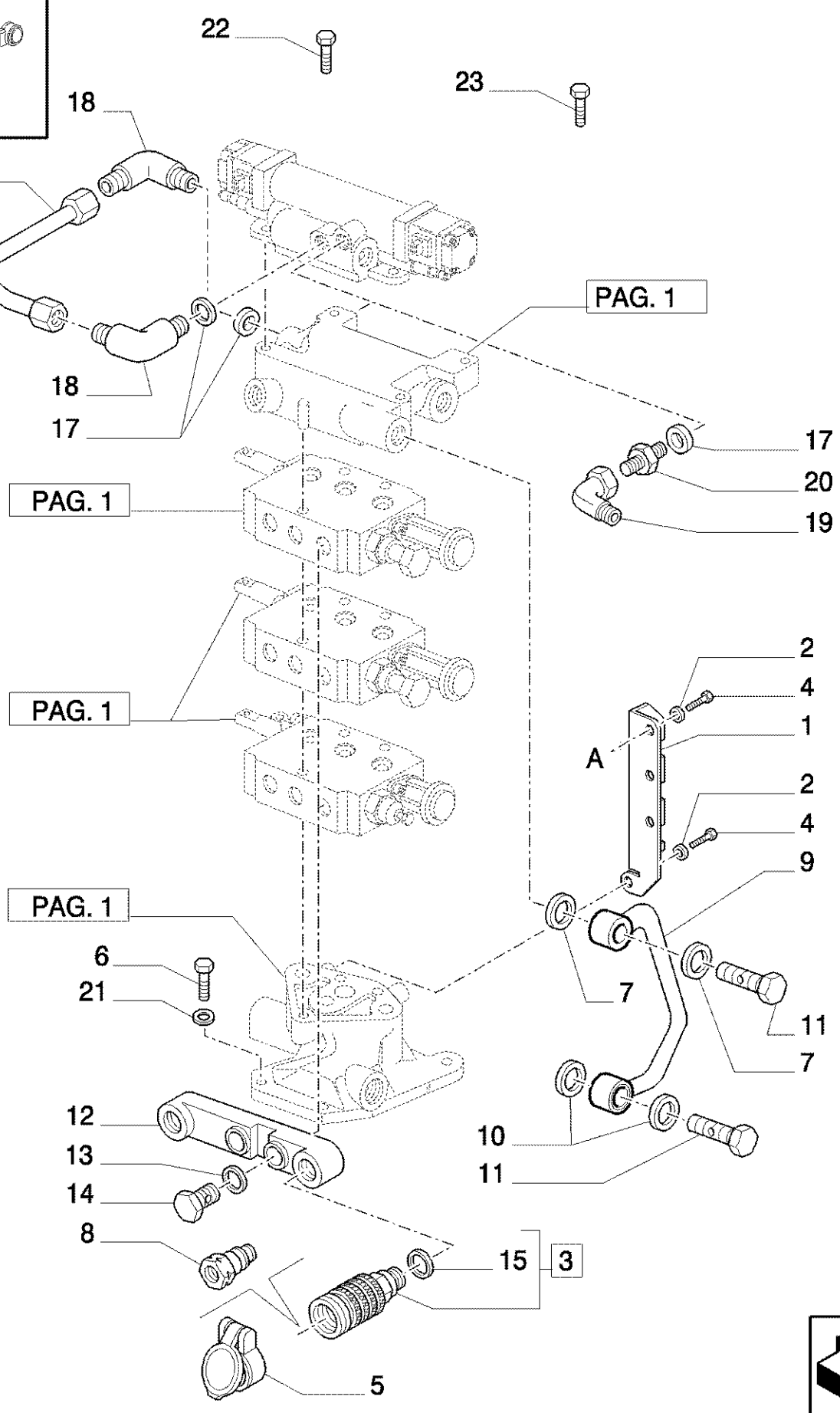
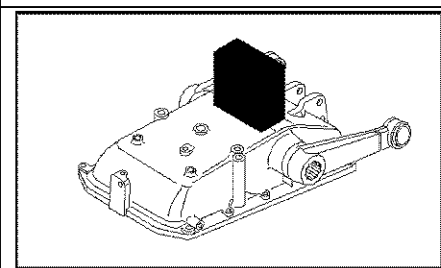
Ref	Onderdeelnummer	Kwt	Beschrijving
1	5173961	1	FLENS, INCL.REF.2-11
2	10300511	1	PLUG, M12 x 1.25 x 12, CI5.8,
3	4858607	1	WASHER, COPPER,
4	5173857	1	PLUG,
5	5167122	1	THROTTLE,
6	83948862	1	VEER,
7	83999793	1	KLEP, HYDRAULISCH,
9	5167123	1	PLUG,
10	83957506	1	PLUG, 3/4"-14 (B)
11	80167266	1	O-RING, 90 DURO, .924" IDx .116" THK
12	5171283	1	KONTROLEKLEP,
13	5186854	1	KONTROLEKLEP,
14	5186278	1	KONTROLEKLEP,
15	5116857	6	MOER,
16	10269601	1	PLUG,
17	5176480	1	FLENS,
18	5151506	3	TREKSTANG,
19	12648304	3	SLUITRING, M10 x 17 x 1.5, M10
8	14438185	1	O-RING, 24MM ID x 3.0 Thk,



1.82.7/09B
1.82.7/A



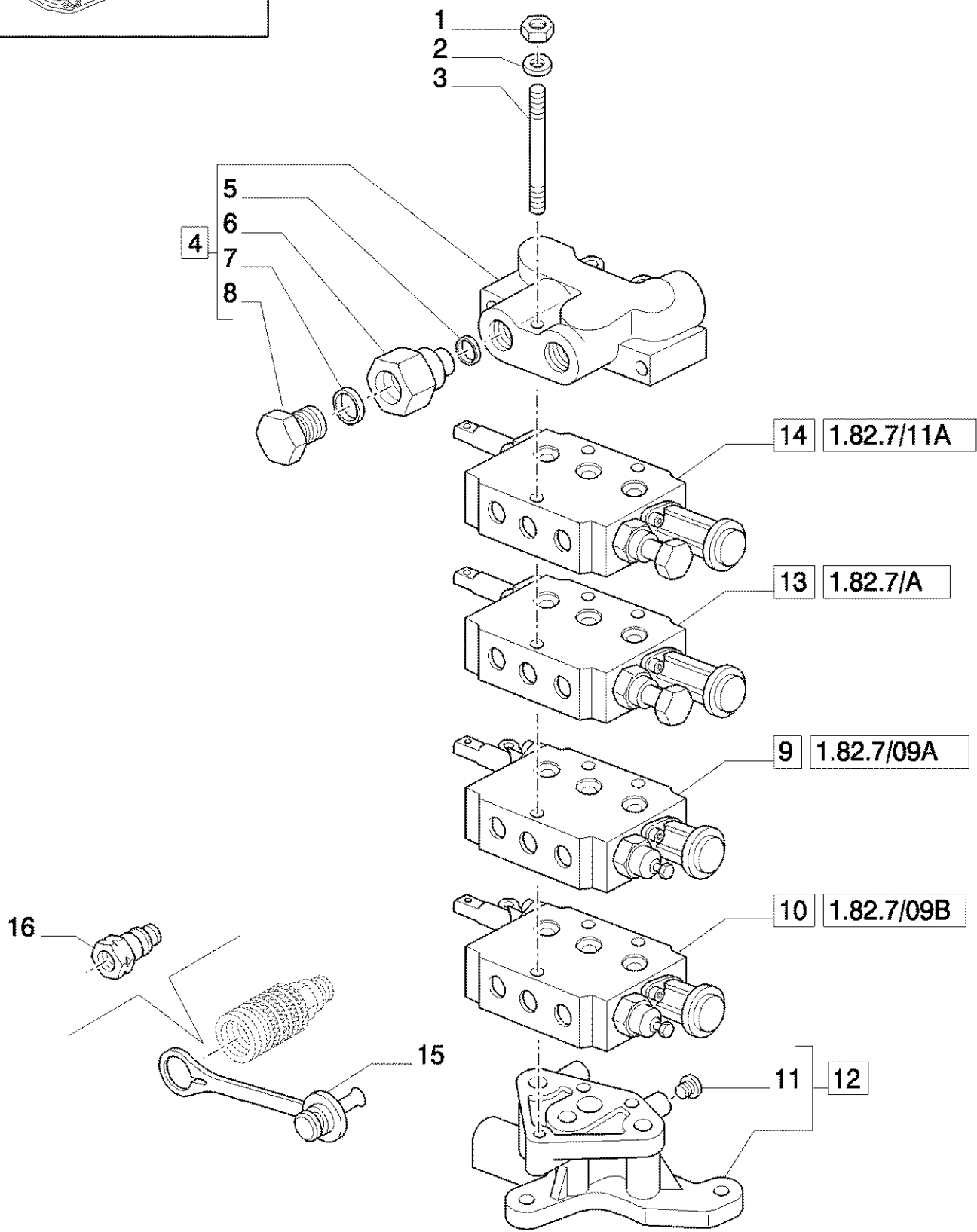
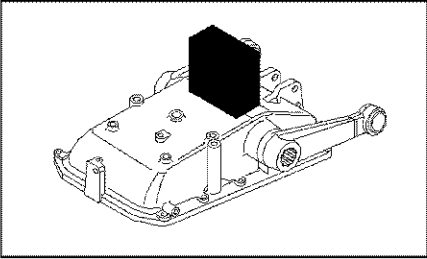
Ref	Onderdeelnummer	Kwt	Beschrijving
1	11087776	3	BORGVEER, M6,
2	5172456	3	PEN,
3	5178877	2	GAFFEL,
4	5116896	4	KETTINGSCHAKEL,
5	5180283	16	BORGVEER, MM18.72
6	5146467	5	RESERVERING, MM19.2
7	5146466	5	RESERVERING, MM24
9	5135739	16	O-RING, -116, CI 9, .737" ID x .103" Thk, M18.72 ID x2.62 THK
10	5178183	1	GAFFEL,
8	5146468	5	O-RING, -113, CI 9, .549" ID x .103" Thk, M13.94 IDx2.62 THK



360 KOMPAKT TRACTOR (4/03-) - Hydraulisch Systeem

1.82.7/10(03) (VAR.164) 3 VERDEELBOKKEN VOOR EDC (1 S/D EF.+1 S/D EF.CON FL+1 S/D EF.CON FL.) - SNELLE AANSLUITING

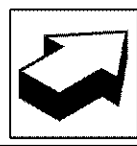
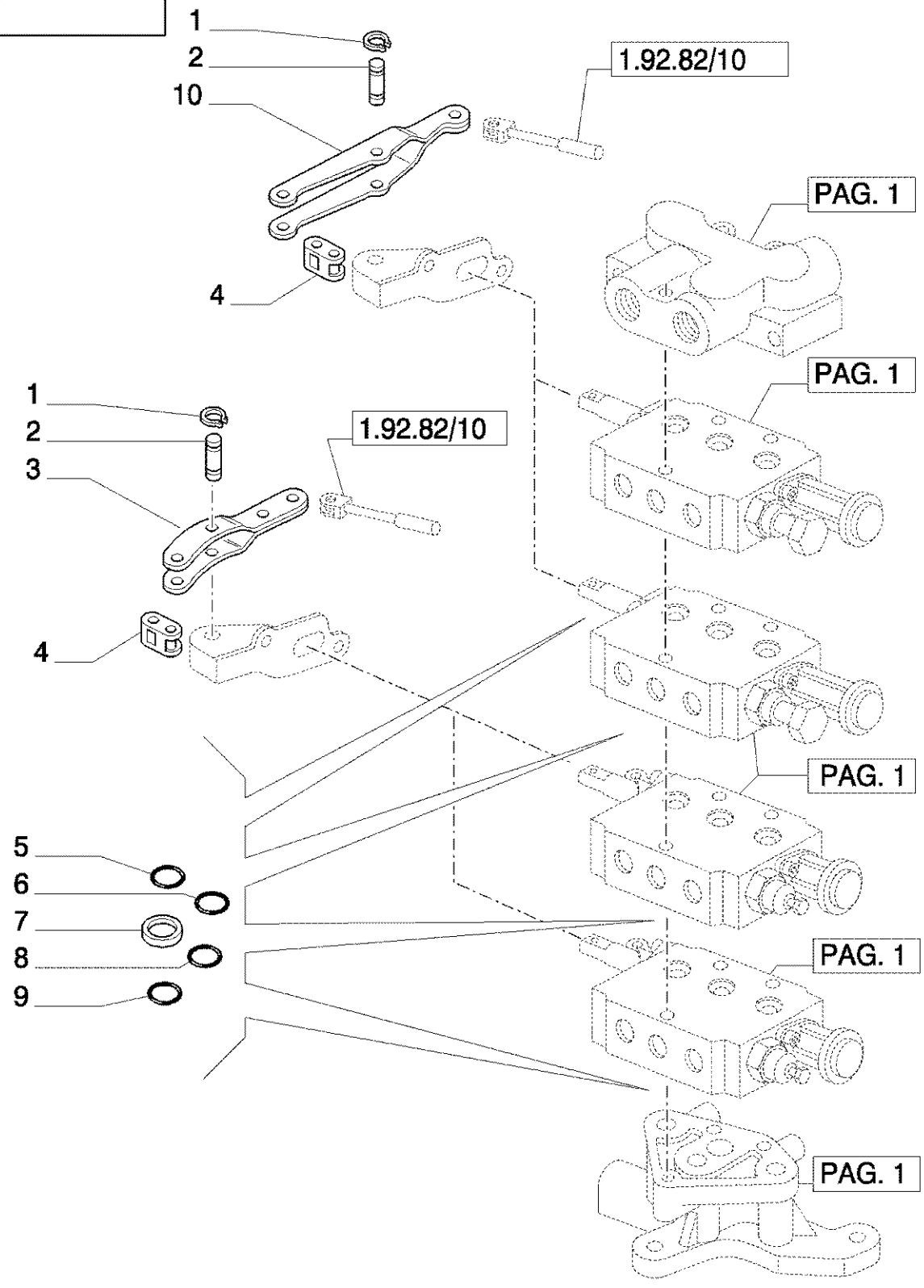
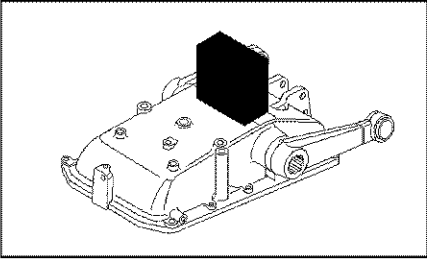
Ref	Onderdeelnummer	Kwt	Beschrijving
1	5179944	1	KONZOOOL,
2	11190574	2	WASHER, SPRING, Belleville, M10.5,
3	5179557	8	KOPPELINGSSCHIJF,
4	15970524	1	BOUT, Hex, M10 x 1.25 x 20, 8.8, Full Thd,
5	47132126	2	PLUG, GREEN
5	47132127	2	PLUG, BLUE
5	47132128	2	PLUG, BROWN
6	15540424	3	BOUT, Hex, M12 x 1.25 x 30, 8.8, Full Thd,
7	5186176	4	DICHTRING, D=18
8	5101741	2	SNELKOPPELING,
9	5174118	1	VASTE BUIS,
11	5184345	1	VERBINDINGSBOUT,
10	14437985	6	O-RING, 15.3MM ID x 2.4 Thk,
12	5185533	3	VERBINDING,
13	5135739	6	O-RING, -116, CI 9, .737" ID x .103" Thk, M18.72 IDx2.62 Thk
14	5168481	6	VERBINDINGSBOUT, M18
16	5174040	1	VASTE BUIS,
17	80165202	3	O-RING, 90 Duro, 351"IDx .072" Thk
15	14438085	5	O-RING, 19.3MM ID x 2.4 Thk,
18	80216773	2	ELLEBOOG,
19	86513593	1	ELLEBOOG, 90°, 1/2"-20, 37° x 1/2"-20, 37° Fem Sw,
20	82002503	1	VERBINDING,
21	5188390	1	AFSTANDSRING,
22	16290124	1	SCHROEF, M12x45
23	16043824	2	BOUT, Hex, M8 x 30, 8.8, Full Thd,



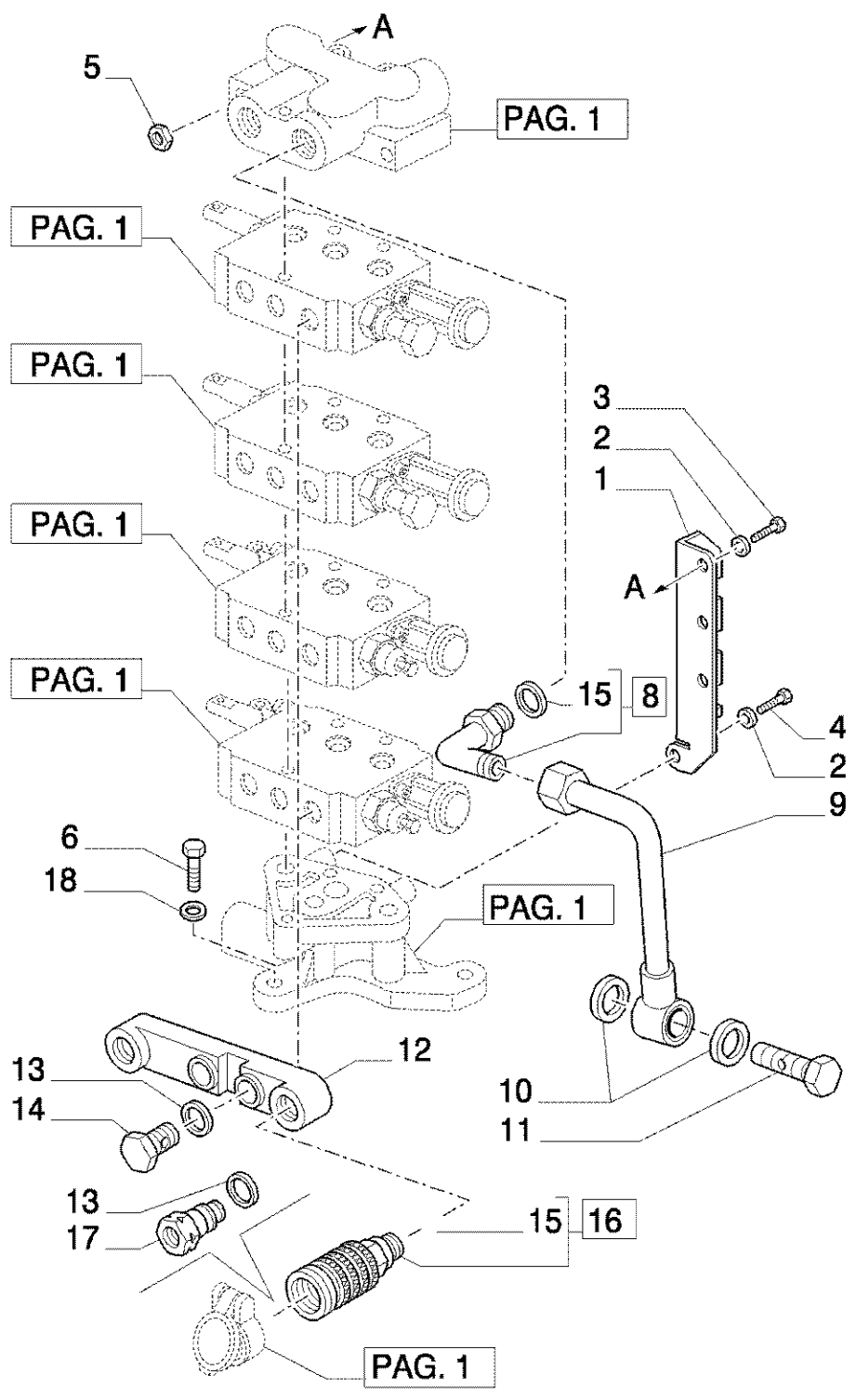
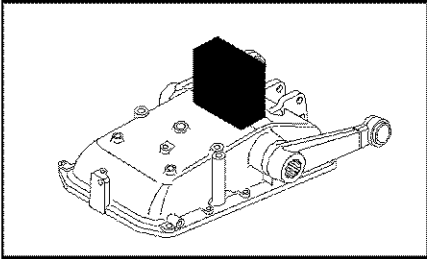
360 KOMPAKT TRACTOR (4/03-) - Hydraulisch Systeem

1.82.7/11(01) (VAR.165) 4 VERDEELBOKKEN VOOR MDC - VERDEELBOKKEN

Ref	Onderdeelnummer	Kwt	Beschrijving
1	5116857	3	MOER,
2	12648304	3	SLUITRING, M10 x 17 x 1.5,
3	5149336	3	TREKSTANG,
4	5173758	1	STEUN, ASSY
6	5174043	1	VERBINDING,
7	80167266	1	O-RING, 90 Duro, .924" ID x .116" Thk
8	83957506	1	PLUG, 3/4"-14 (B)
9	5171283	1	KONTROLEKLEP, ASSY
10	5186854	1	KONTROLEKLEP, ASSY
11	10269650	1	PLUG, M16
12	5176800	1	FLENS, ASSY
13	5186278	1	KONTROLEKLEP, ASSY
14	5171282	1	KONTROLEKLEP, ASSY
15	5186723	2	PLUG, BLACK
15	5179576	2	PLUG, GREEN
15	5179577	2	PLUG, BLUE
15	5179578	2	PLUG, BROWN
16	5101741	8	SNELKOPPELING,
5	14438085	1	O-RING, 19.3MM ID x 2.4 Thk,



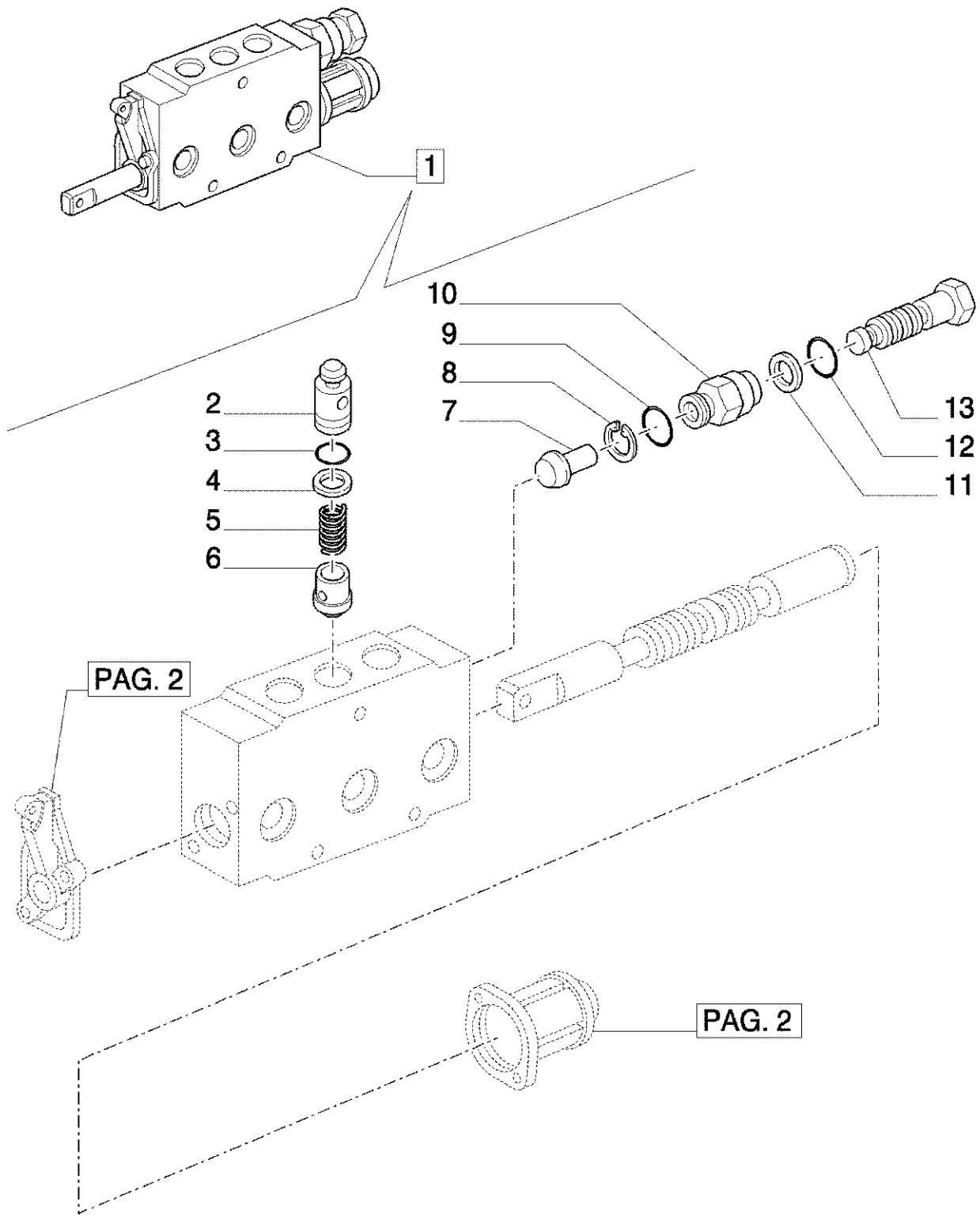
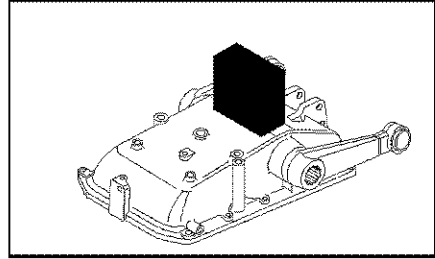
Ref	Onderdeelnummer	Kwt	Beschrijving
1	11087776	4	BORGVEER, M6,
2	5172456	4	PEN,
3	5178877	2	GAFFEL,
4	5116896	4	KETTINGSCHAKEL,
5	5180283	16	BORGVEER, DIA.MM.18,72
6	5146467	5	RESERVERING, DIA.MM.19,2
7	5146466	5	RESERVERING, DIA.MM.24
9	5135739	16	O-RING, -116, CI 9, .737" ID x .103" Thk, M18.72 ID x 2.62 Thk
10	5178183	2	GAFFEL,
8	5146468	5	O-RING, -113, CI 9, .549" ID x .103" Thk, M13.94 ID x 2.62 Thk



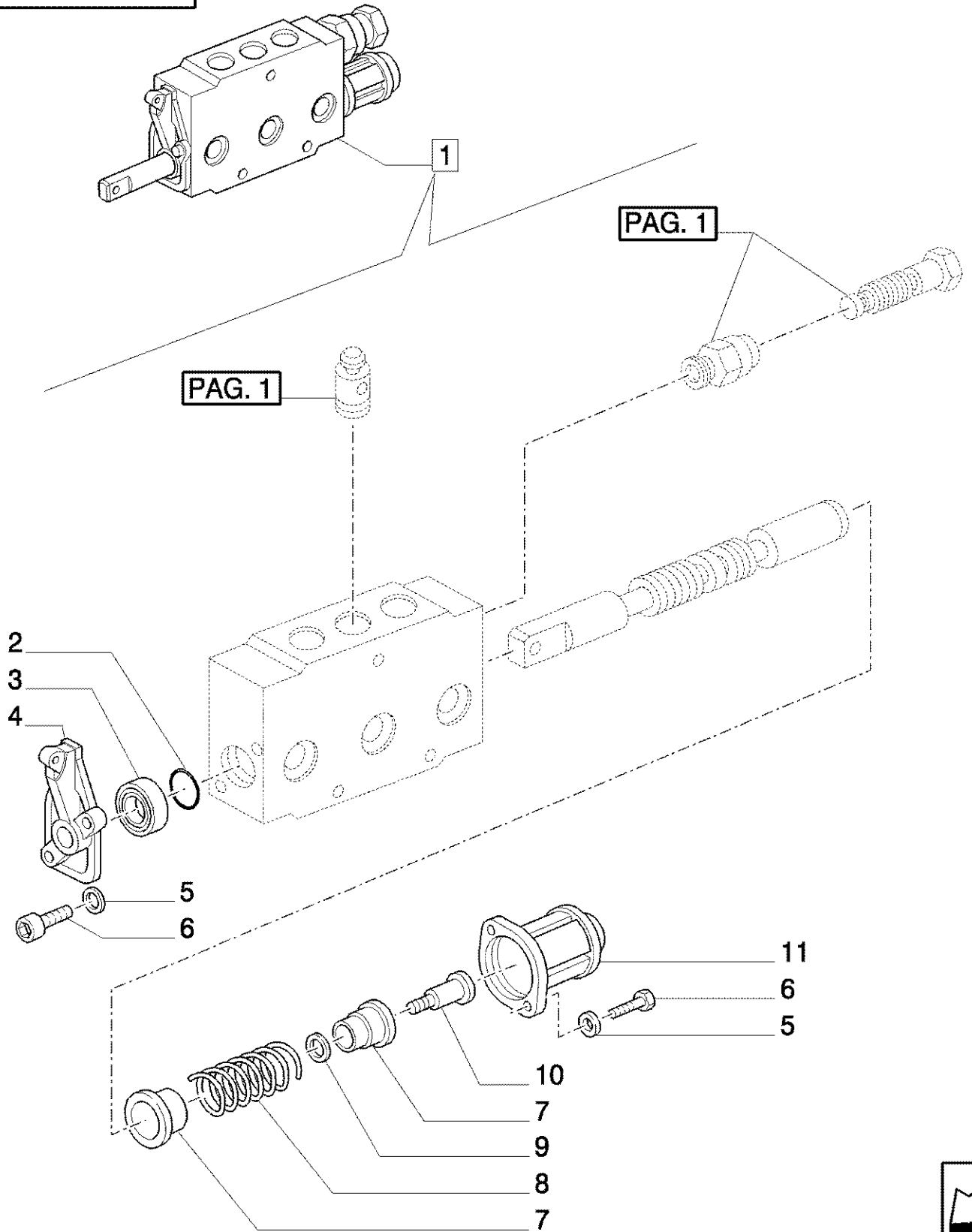
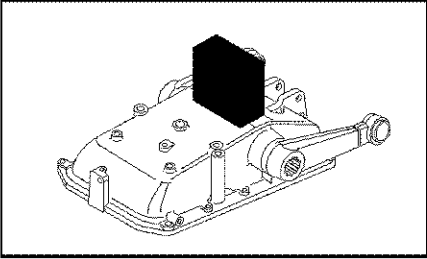
360 KOMPAKT TRACTOR (4/03-) - Hydraulisch Systeem

1.82.7/11(03) (VAR.165) 4 VERDEELBOKKEN VOOR MDC - SNELLE AANSLUITING

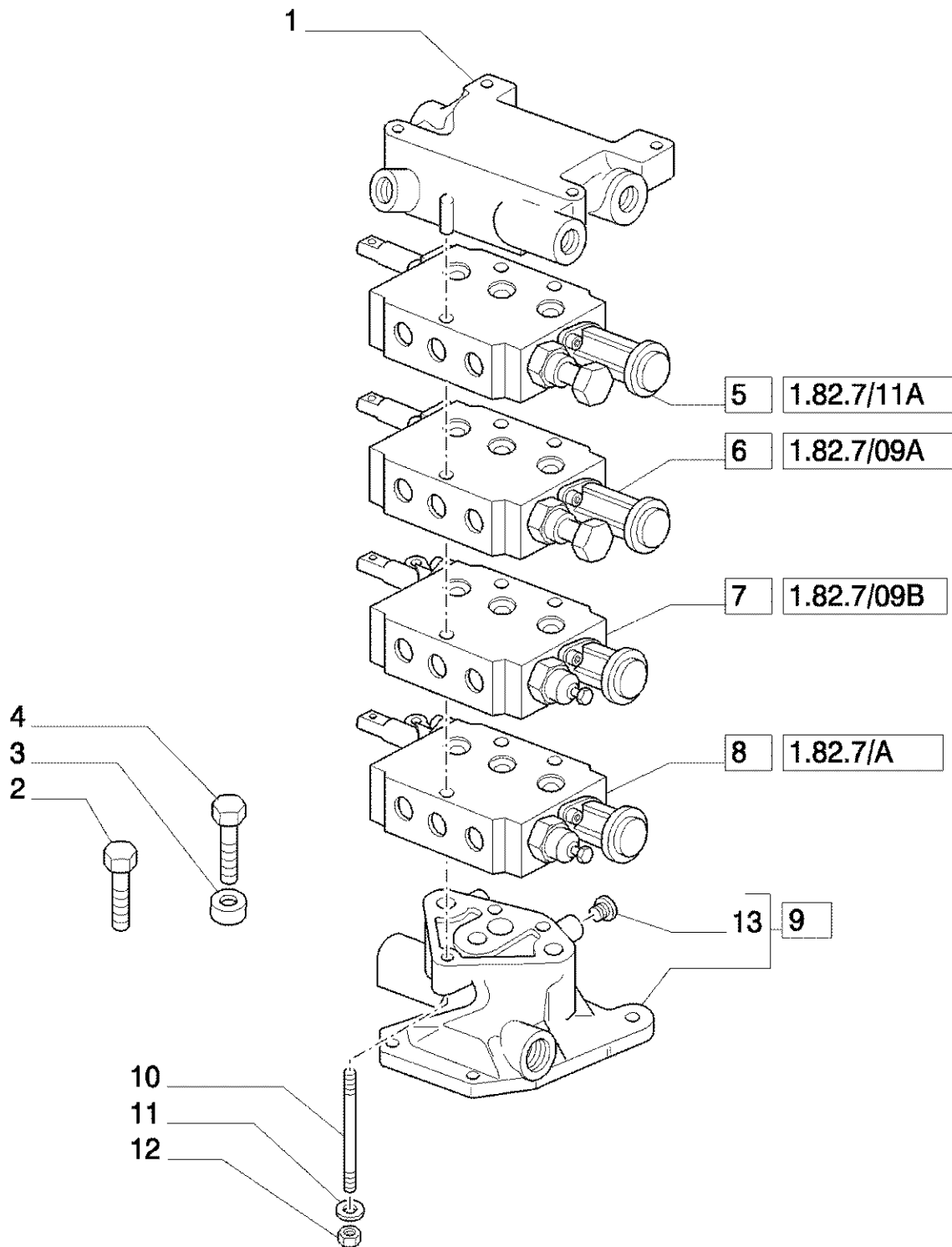
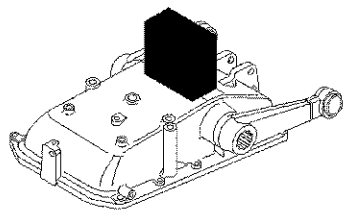
Ref	Onderdeelnummer	Kwt	Beschrijving
1	5179944	1	KONZOOOL,
2	11190574	2	WASHER, SPRING, Belleville, M10.5,
3	15888824	1	BOUW, Hex, M10 x 1.25 x 70, 8.8,
4	15970524	1	BOUW, Hex, M10 x 1.25 x 20, 8.8, Full Thd,
5	12164714	1	MOER, M10 x 1.25, CI 8, M10
6	15540424	3	BOUW, Hex, M12 x 1.25 x 30, 8.8, Full Thd,
6	15540724	1	BOUW, Hex, M12 x 1.25 x 45, 8.8,
7	14437985	8	O-RING, 15.3MM ID x 2.4 Thk,
8	5158364	1	VERBINDING, MM.22x1.5, 7/8-14
9	5175940	1	VASTE BUIS,
10	5186176	2	DICHTRING, D=18
11	5184345	1	VERBINDINGSBOUW,
12	5185533	4	VERBINDING,
13	5135739	8	O-RING, -116, CI 9, .737" ID x .103" Thk, M18.72 ID x 2.62 Thk
14	5168481	8	VERBINDINGSBOUW, M18
15	14438085	9	O-RING, 19.3MM ID x 2.4 Thk,
16	5179557	8	KOPPELINGSSCHIJF,
17	5101741	8	SNELKOPPELING,
18	13507401	1	SLUITRING, M12 x 20 x 2,



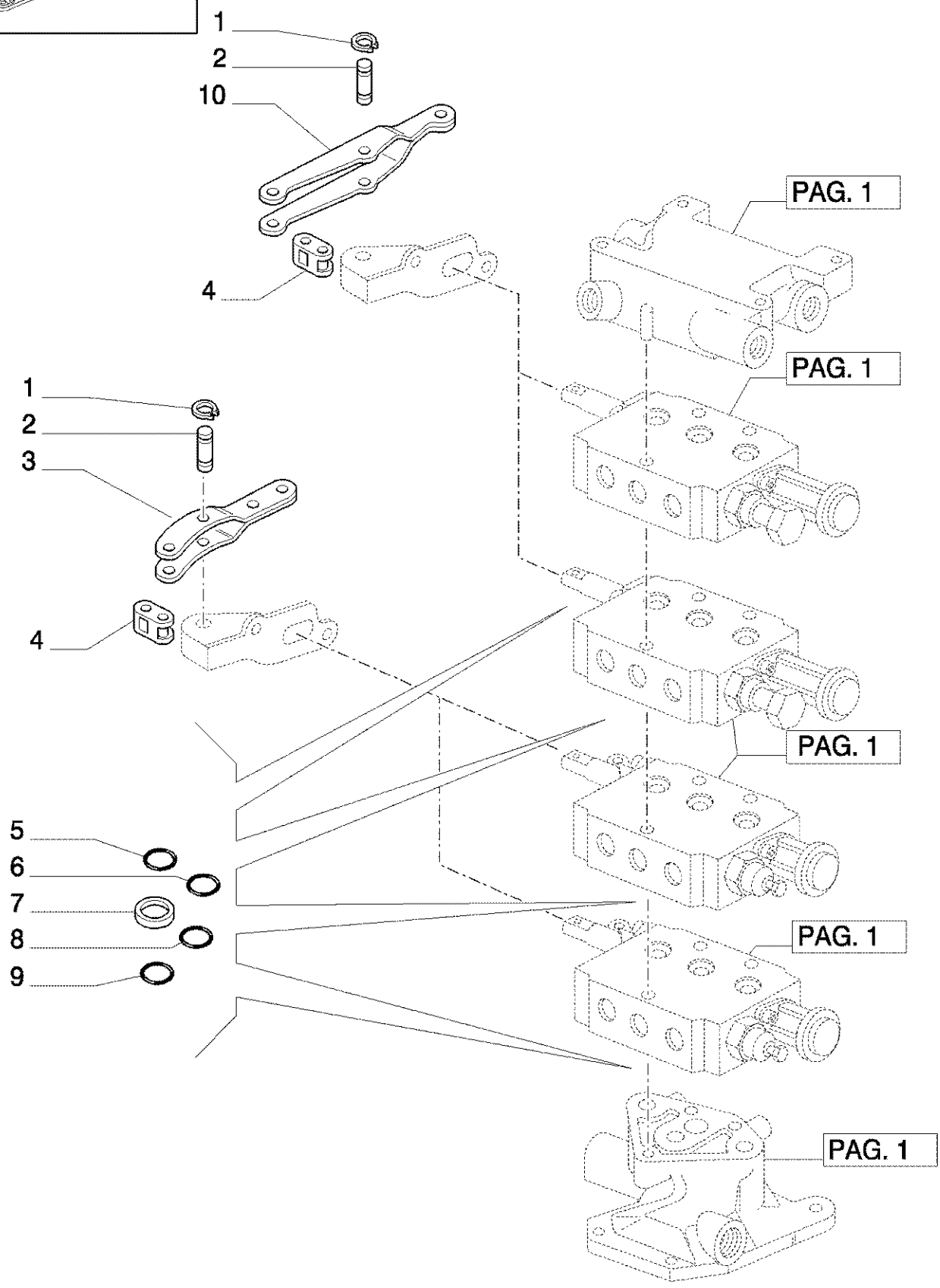
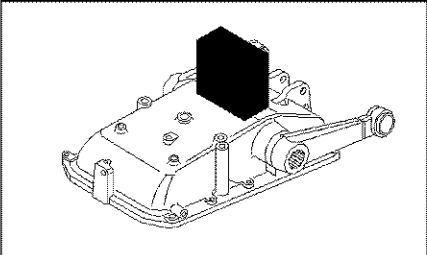
Ref	Onderdeelnummer	Kwt	Beschrijving
1	5171282	3	KONTROLEKLEP, ASSY
2	5135835	3	KLEPGELEIDER,
4	5138508	1	RESERVERING,
5	5116884	1	VEER,
6	5116886	1	PEN,
7	5136347	1	PEN,
8	11087871	1	BORGVEER, M7,
9	5135739	1	O-RING, -116, CI 9, .737" ID x .103" Thk, 2,62X18,72
10	5136346	1	LICHAAM,
11	5120771	1	RESERVERING,
12	5120772	1	O-RING, 1,78X6,75
13	5136348	1	PEN,
3	5135732	3	O-RING, -013, CI 9, .426" ID x .070" Thk, 90 Duro, .414" ID x .072" Thk



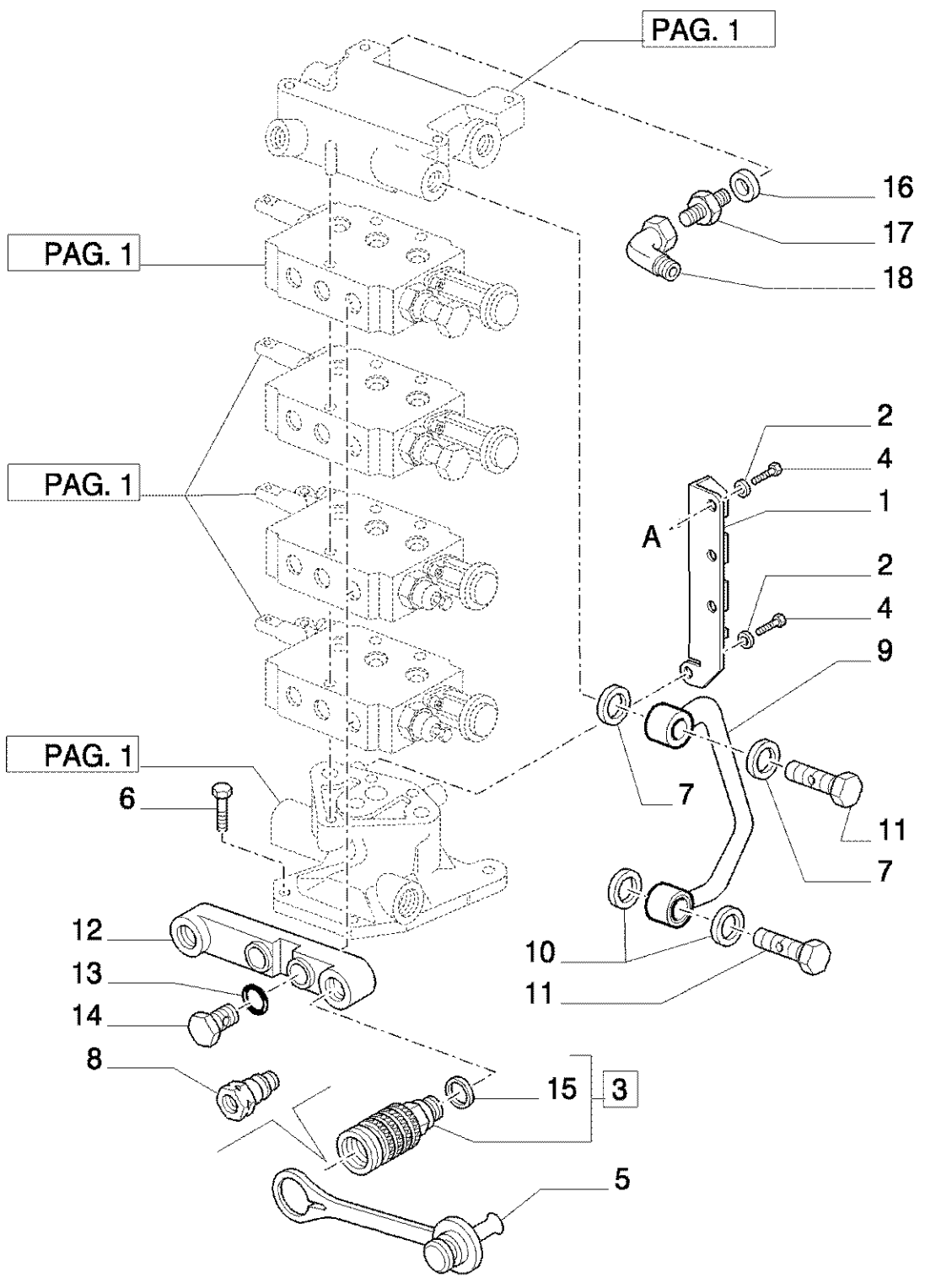
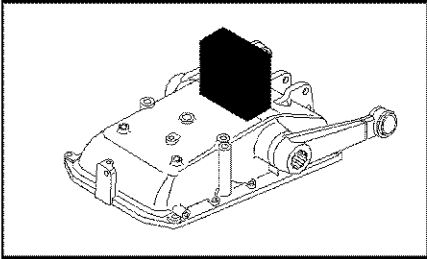
Ref	Onderdeelnummer	Kwt	Beschrijving
1	5171282	1	KONTROLEKLEP, ASSY
2	5135734	2	O-RING, -016, CI 9, .614" ID x .070" Thk, 1,78X15,60
3	5116889	1	OLIESCHRAAPRING,
4	5172326	1	STEUN,
5	11197774	4	WASHER, SPRING, Belleville, M6.4,
6	5124338	4	SCHROEF,
7	5116891	2	KOM,
8	5116893	1	VEER,
9	5116892	1	AFSTANDSRING,
10	5116894	1	SCHROEF,
11	5116895	1	DEKSEL,



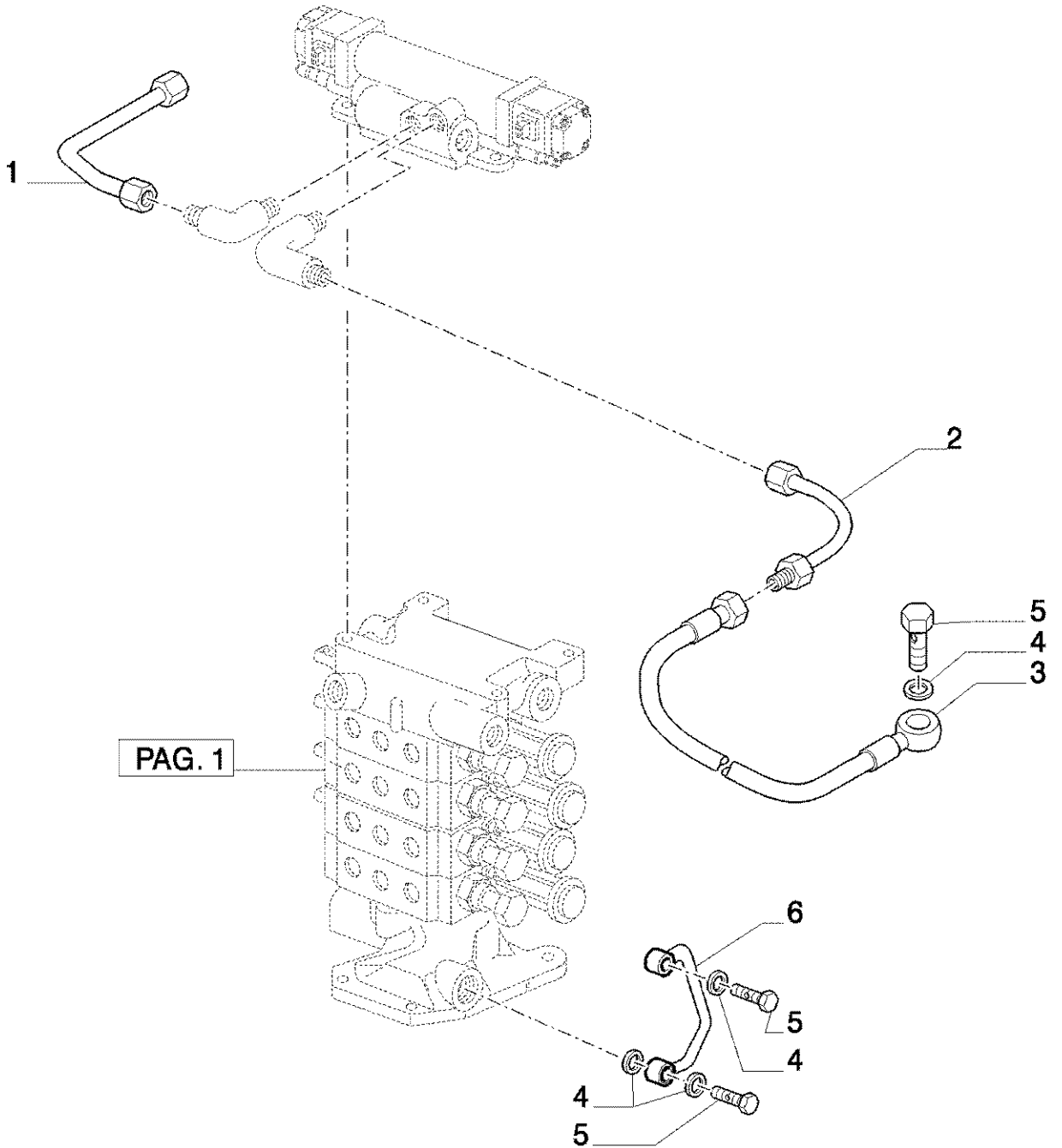
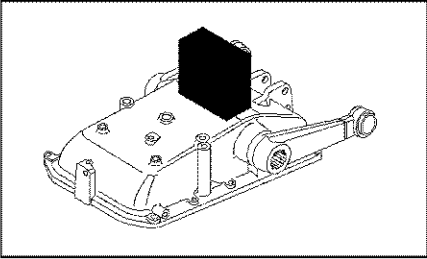
Ref	Onderdeelnummer	Kwt	Beschrijving
1	5173961	1	FLENS, INCL.REF.2-11
2	16043824	2	BOUT, Hex, M8 x 30, 8.8, Full Thd,
3	5188390	1	AFSTANDSRING,
4	16290124	1	SCHROEF, M12x45
5	5171282	1	KONTROLEKLEP, ASSY
6	5171283	1	KONTROLEKLEP, ASSY
7	5186854	1	KONTROLEKLEP, ASSY
8	5186278	1	KONTROLEKLEP, ASSY
9	5176480	1	FLENS,
10	5151505	3	TREKSTANG,
11	12648304	3	SLUITRING, M10 x 17 x 1.5,
12	5116857	3	MOER,
13	10269550	1	PLUG,



Ref	Onderdeelnummer	Kwt	Beschrijving
1	11087776	4	BORGVEER, M6,
2	5172456	4	PEN,
3	5178877	2	GAFFEL,
4	5116896	4	KETTINGSCHAKEL,
5	5180283	16	BORGVEER, DIA.MM.18,72
6	5146467	5	RESERVERING, DIA.MM.19,2
7	5146466	5	RESERVERING, DIA.MM.24
9	5135739	16	O-RING, -116, CI 9, .737" ID x .103" Thk, M18.72 ID x 2.62 Thk
10	5178183	2	GAFFEL,
8	5146468	5	O-RING, -113, CI 9, .549" ID x .103" Thk, M13.94 ID x 2.62 Thk



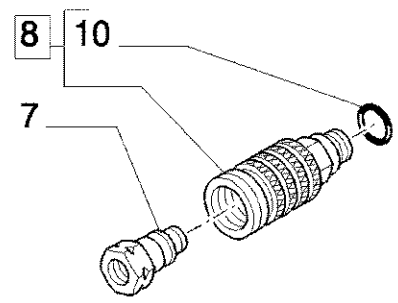
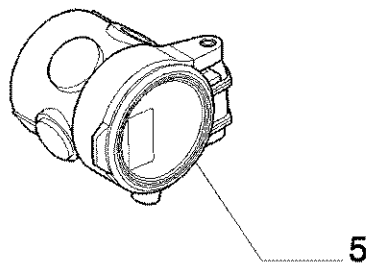
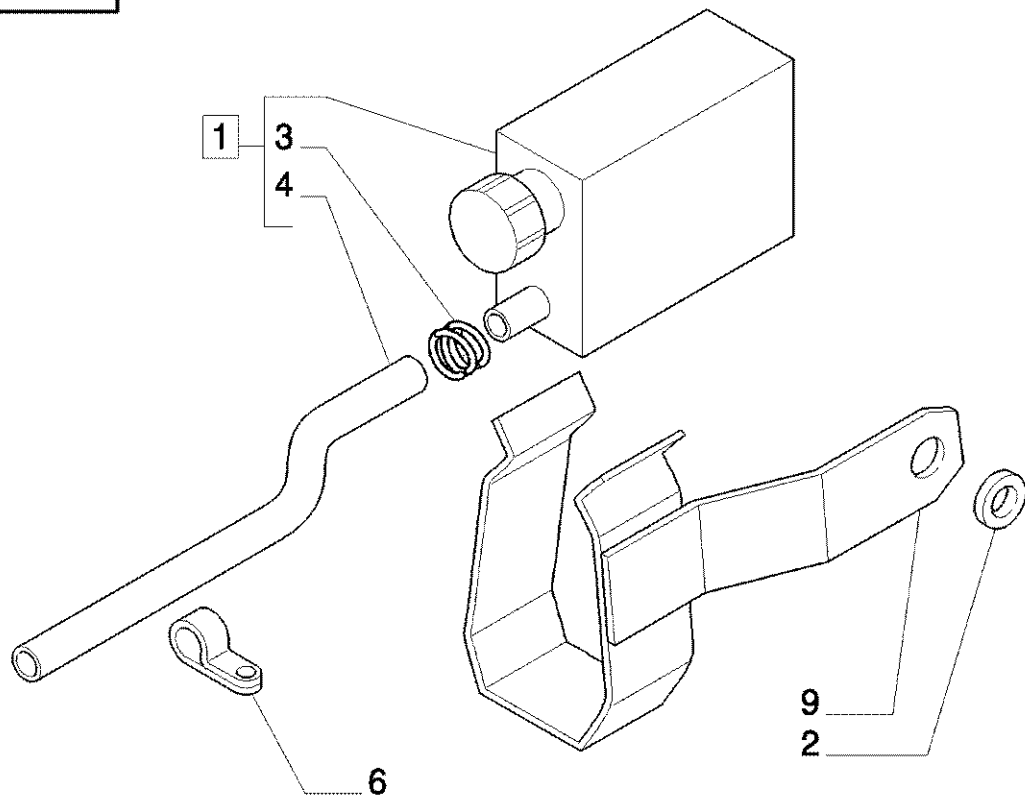
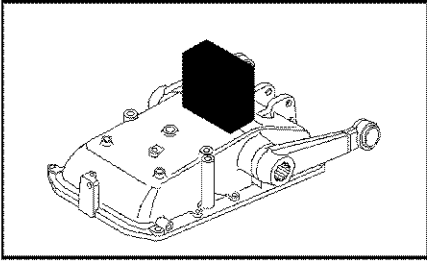
Ref	Onderdeelnummer	Kwt	Beschrijving
1	5179944	1	KONZOOOL,
2	11190574	2	WASHER, SPRING, Belleville, M10.5,
3	15888824	1	BOUT, Hex, M10 x 1.25 x 70, 8.8,
3	5179557	8	KOPPELINGSSCHIJF,
4	15970524	1	BOUT, Hex, M10 x 1.25 x 20, 8.8, Full Thd,
5	5186723	2	PLUG, BLACK
5	5179576	2	PLUG, GREEN
5	5179577	2	PLUG, BLUE
5	5179578	2	PLUG, BROWN
6	15540424	3	BOUT, Hex, M12 x 1.25 x 30, 8.8, Full Thd,
7	5186176	4	DICHTRING, D=18
8	5101741	8	SNELKOPPELING,
9	5178032	1	VASTE BUIS,
10	14437985	8	O-RING, 15.3MM ID x 2.4 Thk,
11	5184345	2	VERBINDINGSBOUT,
12	5185533	4	VERBINDING,
13	5135739	8	O-RING, -116, CI 9, .737" ID x .103" Thk, M18.72IDx2.62Thk
14	5168481	8	VERBINDINGSBOUT, M18
15	14438085	5	O-RING, 19.3MM ID x 2.4 Thk,
16	80165202	3	O-RING,
17	82002503	1	VERBINDING,
18	80216773	2	ELLEBOOG,



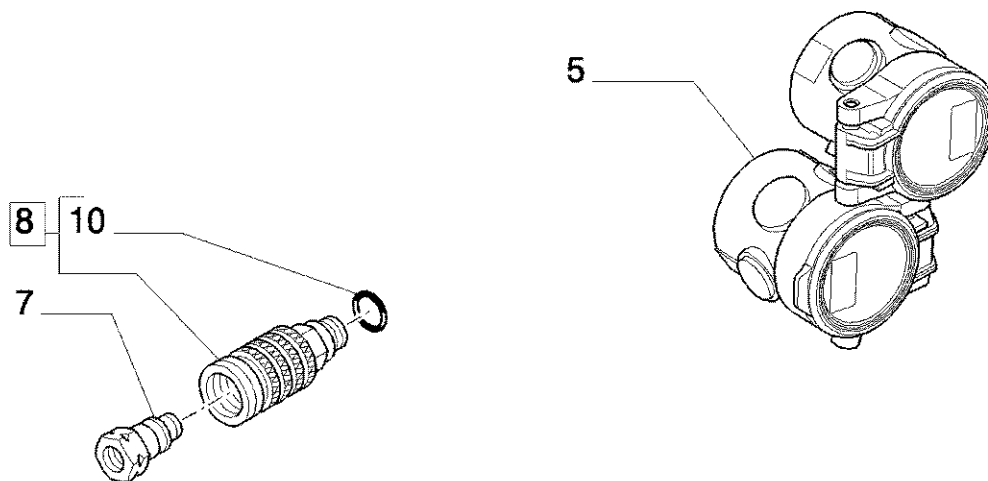
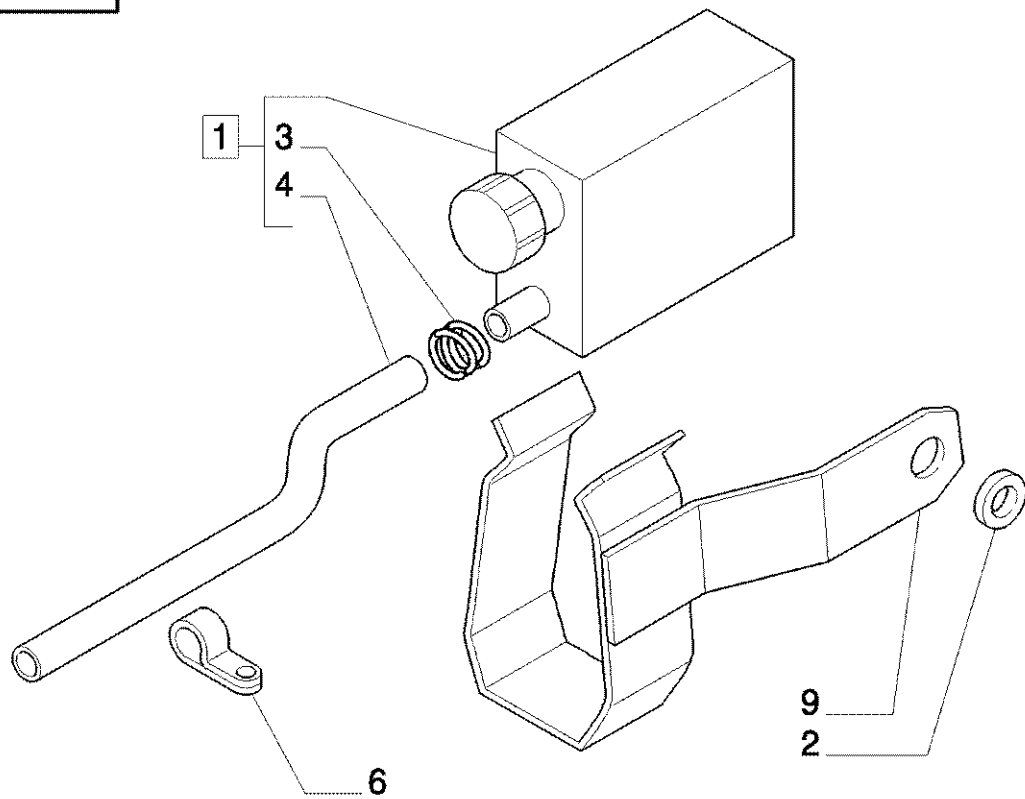
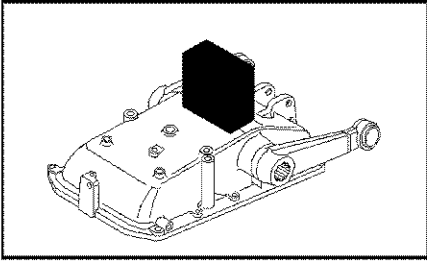
PAG. 1



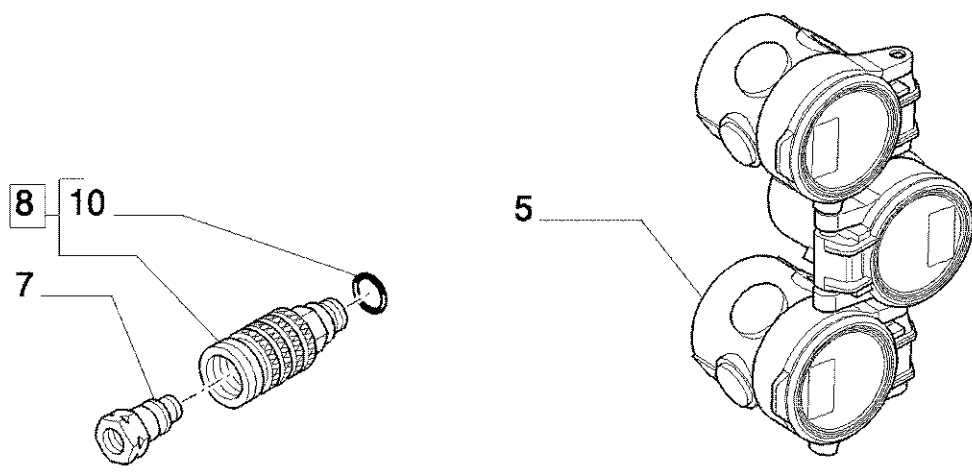
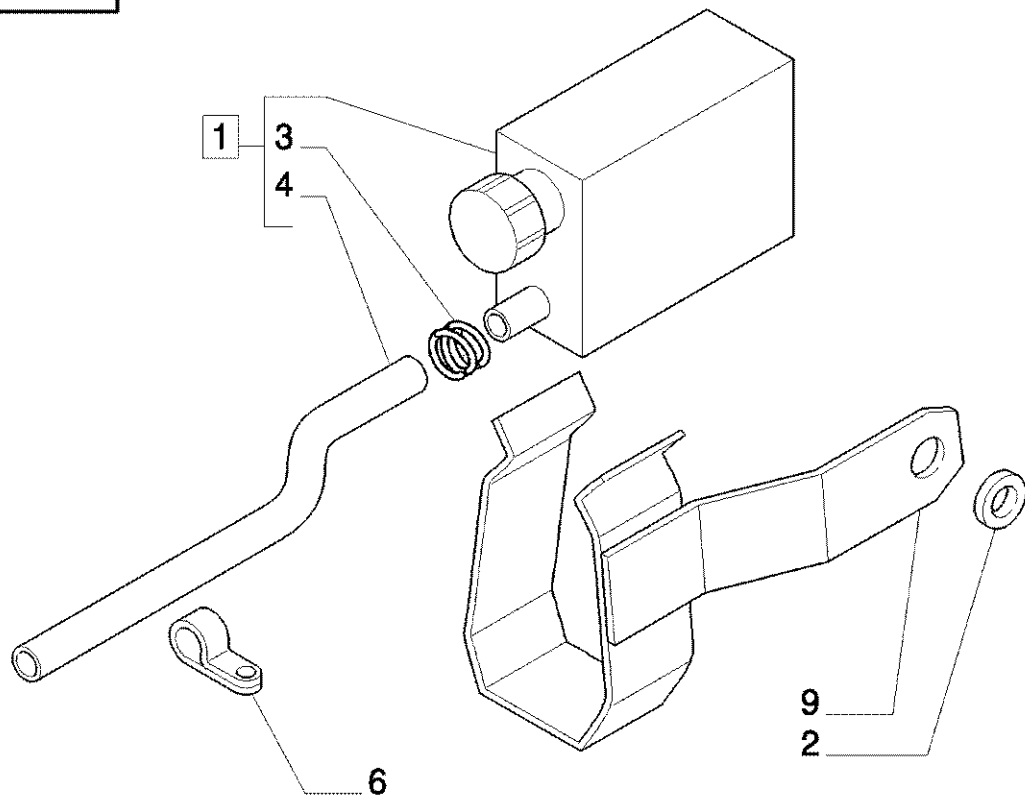
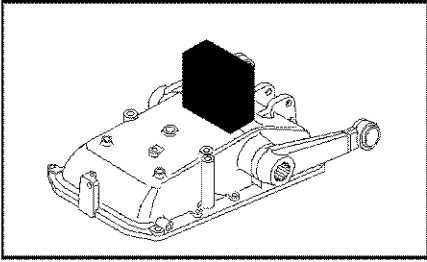
Ref	Onderdeelnummer	Kwt	Beschrijving
1	5174040	1	VASTE BUIS, D=6
2	47131635	1	VASTE BUIS, CENTER PILOT
3	47133401	1	FLEXIBELE SLANG, 1110 MM, Front Pilot Hose
4	10298460	4	WASHER, COPPER, M12.2 x 18 x 1.5, Copper,
5	10185011	3	VERBINDINGSBOUT, M12 x 1.25 x 23,
6	5178032	1	VASTE BUIS, Cap,HH,CL8.8,M6x1x14



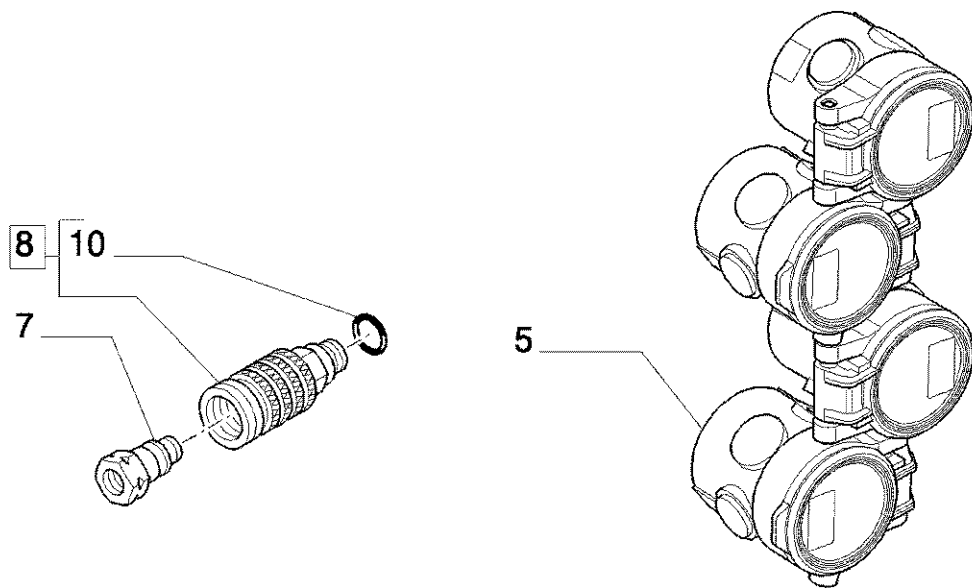
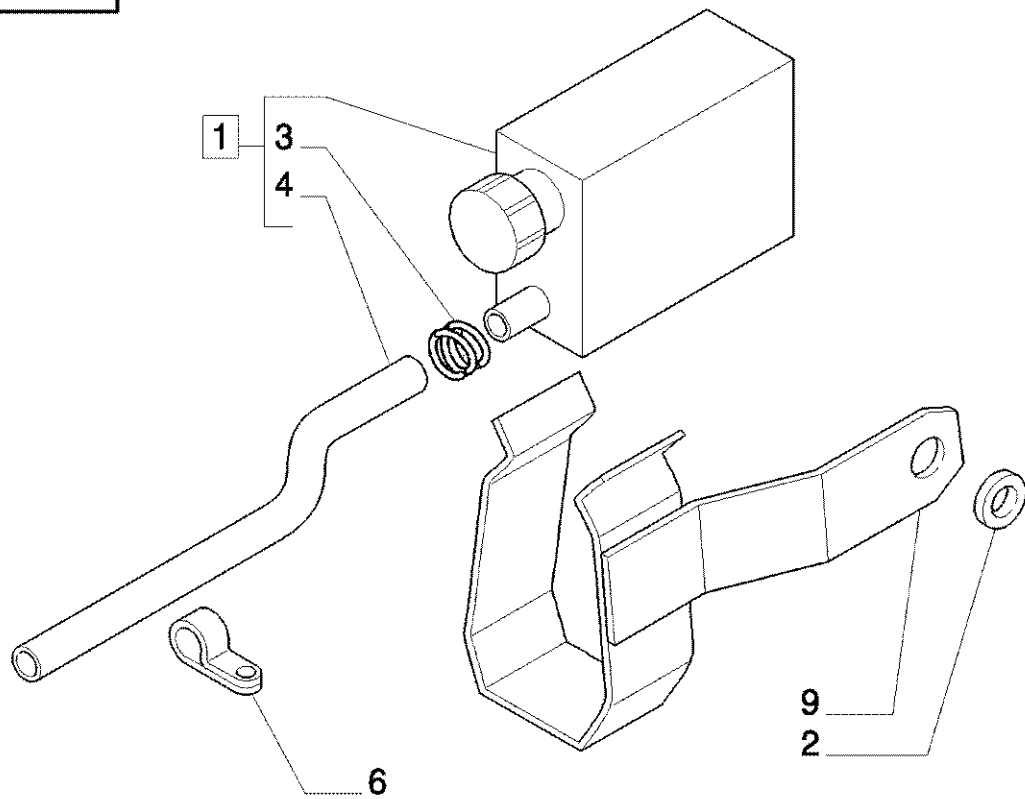
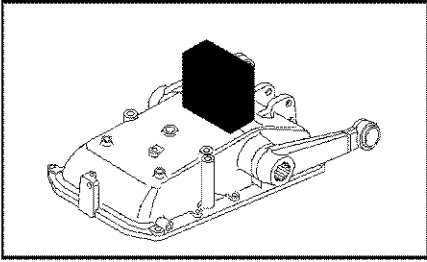
Ref	Onderdeelnummer	Kwt	Beschrijving
1	47133028	2	CARTER,
2	12646001	2	SLUITRING, M14 x 24 x 2,
3	13423371	1	BUISKLEM, 15,5-13,6
4	19308980	1	FLEXIBELE SLANG, 7,5x14,5x525
5	47132619	2	PLUG,
6	5132413	2	SPANKRAAG,
7	5101741	2	SNELKOPPELING,
8	5179558	2	KOPPELINGSSCHIJF, Incl. 10
9	47136266	1	STEUNBEUGEL, RH
9	47132383	1	STEUNBEUGEL, LH
10	14438085	1	O-RING, 19.3MM ID x 2.4 Thk,



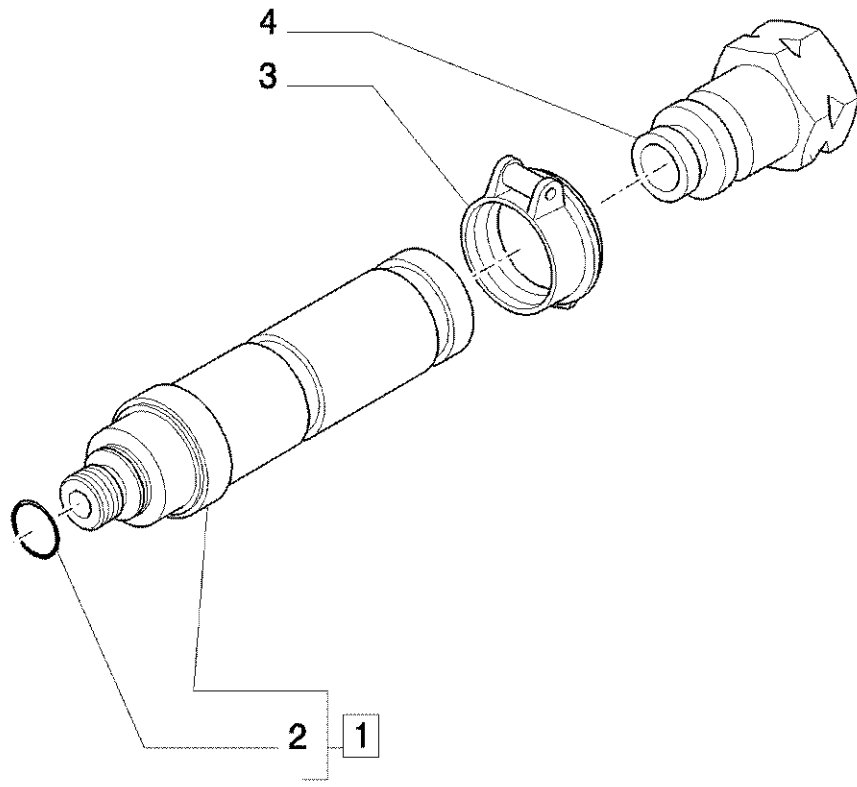
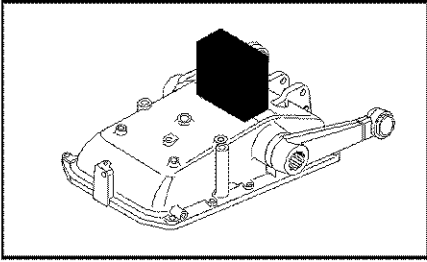
Ref	Onderdeelnummer	Kwt	Beschrijving
1	47133028	2	CARTER,
2	12646001	2	SLUITRING, M14 x 24 x 2,
3	13423371	1	BUISKLEM, 15,5-13,6
4	19308980	1	FLEXIBELE SLANG, 7,5x14,5x525
5	47132620	2	PLUG,
6	5132413	2	SPANKRAAG,
7	5101741	2	SNELKOPPELING,
8	5179558	2	KOPPELINGSSCHIJF, Incl. 10
9	47136266	1	STEUNBEUGEL, RH
9	47132383	1	STEUNBEUGEL, LH
10	14438085	1	O-RING, 19.3MM ID x 2.4 Thk,



Ref	Onderdeelnummer	Kwt	Beschrijving
1	47133028	2	CARTER,
2	12646001	2	SLUITRING, M14 x 24 x 2,
3	13423371	1	BUISKLEM, 15,5-13,6
4	19308980	1	FLEXIBELE SLANG, 7,5x14,5x525
5	47132621	2	PLUG,
6	5132413	2	SPANKRAAG,
7	5101741	2	SNELKOPPELING,
8	5179558	2	KOPPELINGSSCHIJF, Incl. 10
9	47136266	1	STEUNBEUGEL, RH
9	47132383	1	STEUNBEUGEL, LH
10	14438085	1	O-RING, 19.3MM ID x 2.4 Thk,



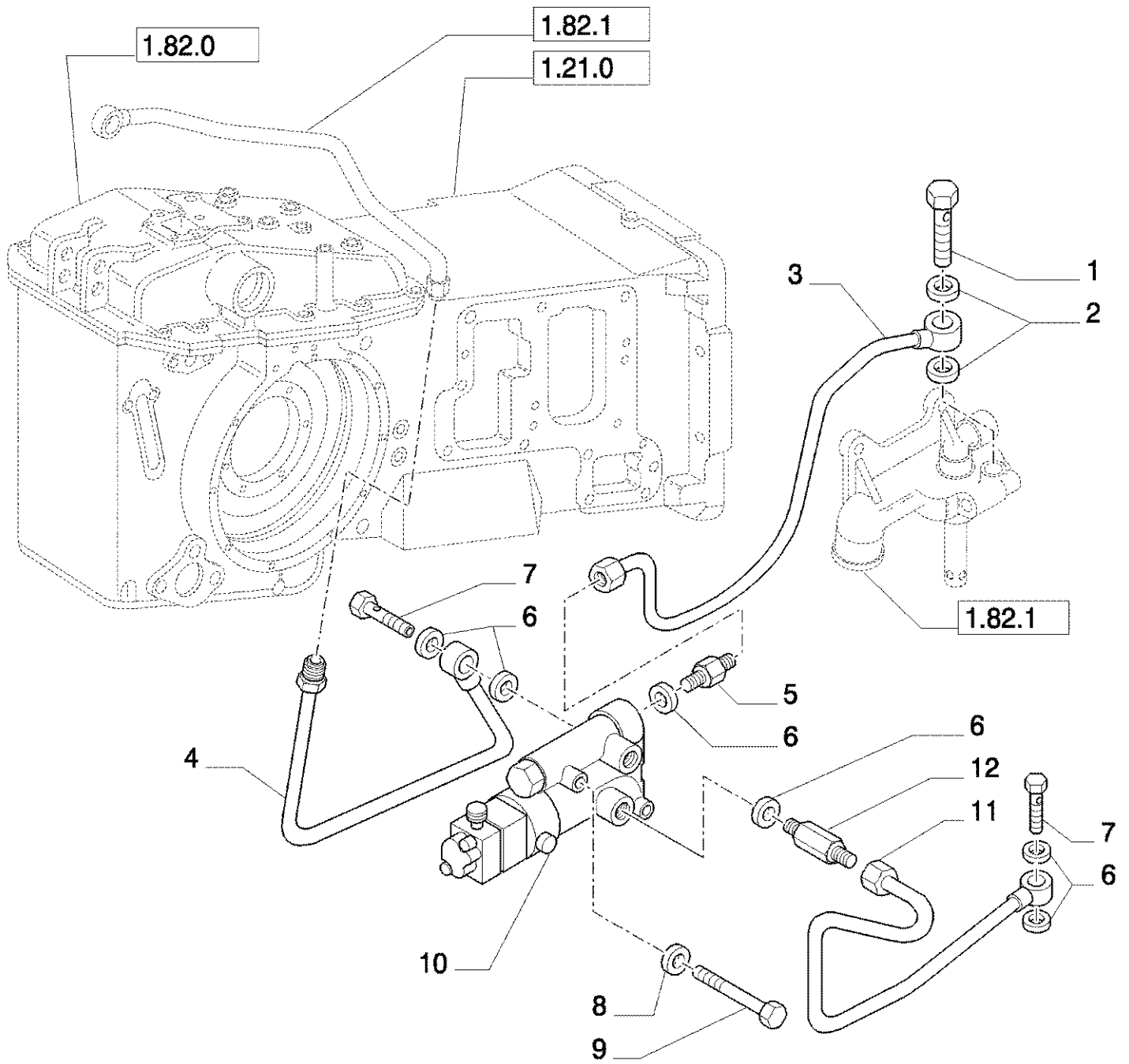
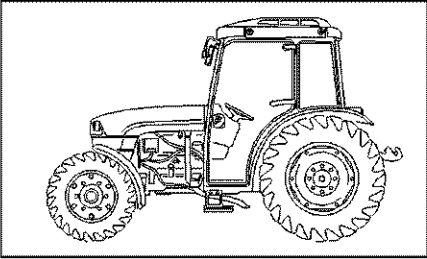
Ref	Onderdeelnummer	Kwt	Beschrijving
1	47133028	2	CARTER,
2	12646001	2	SLUITRING, M14 x 24 x 2,
3	13423371	1	BUISKLEM, 15,5-13,6
4	19308980	1	FLEXIBELE SLANG, 7,5x14,5x525
5	47132622	2	PLUG,
6	5132413	2	SPANKRAAG,
7	5101741	2	SNELKOPPELING,
8	5179558	2	KOPPELINGSSCHIJF, Incl. 10
9	47136266	1	STEUNBEUGEL, RH
9	47132383	1	STEUNBEUGEL, LH
10	14438085	1	O-RING, 19.3MM ID x 2.4 Thk,



360 KOMPAKT TRACTOR (4/03-) - Hydraulisch Systeem

1.82.7/17 (VAR.730-730/1-730/2-735) SNEL DELUXE VASTHAKEN

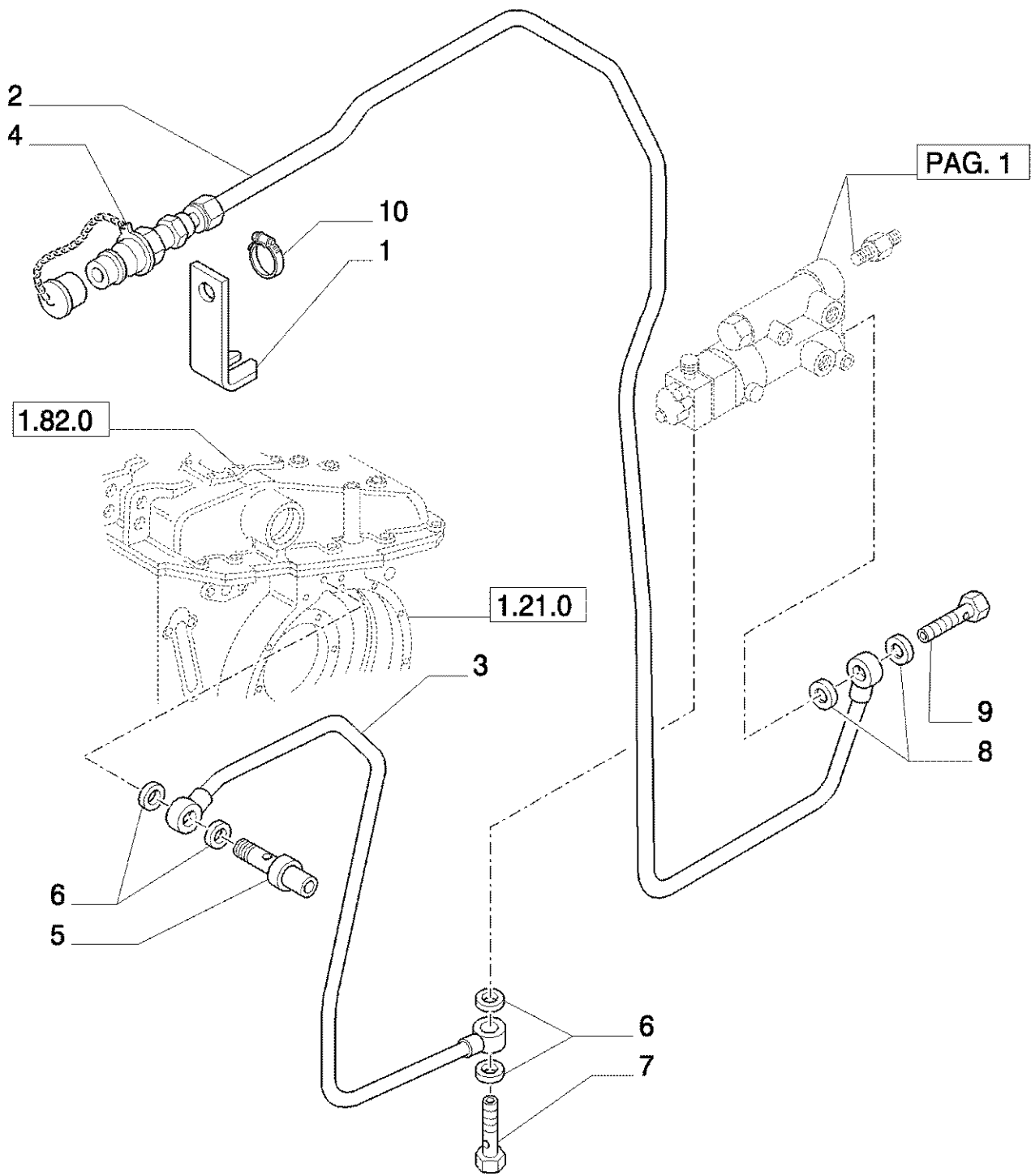
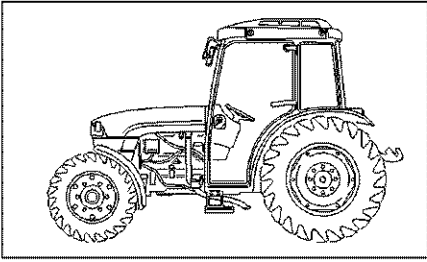
Ref	Onderdeelnummer	Kwt	Beschrijving
1	5179558		AR KOPPELINGSSCHIJF,
3	47132126		AR PLUG, GREEN
3	47132127		AR PLUG, BLUE
3	47132128		AR PLUG, BROWN
3	47123643		AR PLUG, BLACK
4	5101741		AR SNELKOPPELING,
2	14438085		AR O-RING, 19.3MM ID x 2.4 Thk,



360 KOMPAKT TRACTOR (4/03-) - Hydraulisch Systeem

1.82.713(01) (VAR.370) VENTIEL REM AANHANGWAGEN (FRANCE) - BUIZEN

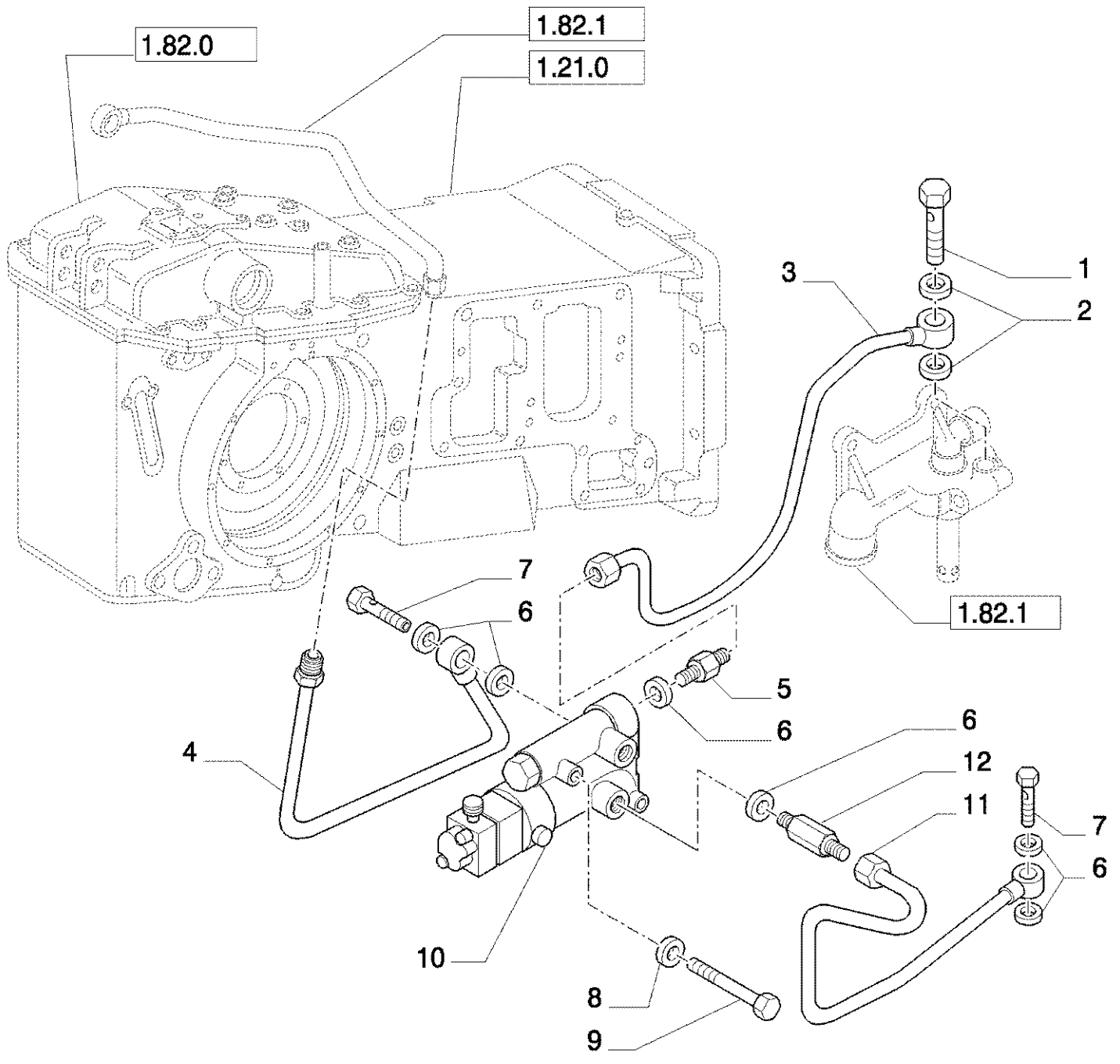
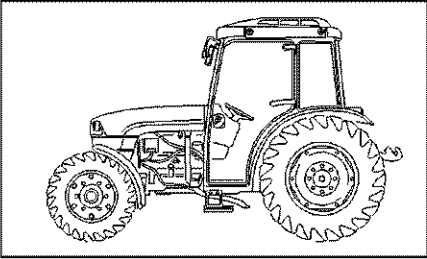
Ref	Onderdeelnummer	Kwt	Beschrijving
1	5184345	1	VERBINDINGSBOUT, M22
2	5186176	2	DICHTRING, 22x28x1.5
3	5180602	1	VASTE BUIS,
4	5180483	1	VASTE BUIS,
5	5155665	1	VERBINDING,
6	5186176	6	DICHTRING, 18x24
7	5184345	2	VERBINDINGSBOUT,
8	10571774	2	SLUITRING, D=8
10	47132616	1	KLEP, HYDRAULISCH, ASSY
11	5180615	1	VASTE BUIS,
12	5174654	1	AFSTANDSRING,
9	16044424	2	BOUT, Hex, M8 x 60, 8.8,



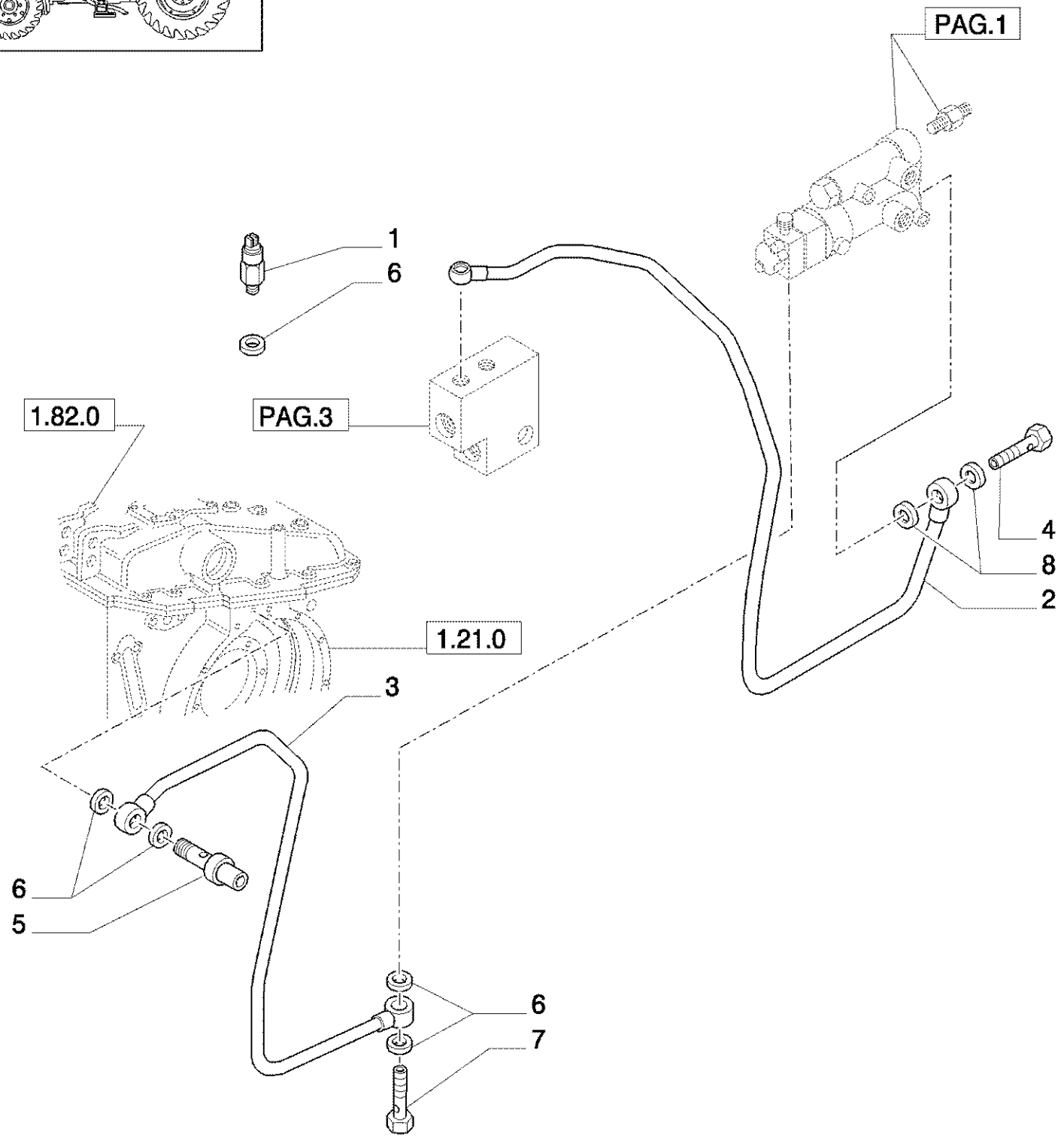
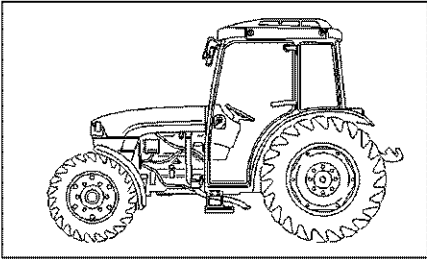
360 KOMPAKT TRACTOR (4/03-) - Hydraulisch Systeem

1.82.713(02) (VAR.370) VENTIEL REM AANHANGWAGEN (FRANCE) - ELEKTROKLEPPEN

Ref	Onderdeelnummer	Kwt	Beschrijving
1	5174628	1	STEUNBEUGEL,
2	5181157	1	VASTE BUIS,
3	5180650	1	VASTE BUIS,
4	44015354	1	SNELKOPPELING,
5	5113983	1	VERBINDINGSBOUT,
6	10261060	4	WASHER, COPPER, M12.2 x 16 x 1.5, Copper,
7	10185011	1	VERBINDINGSBOUT, M12 x 1.25 x 23,
8	10259960	2	DICHTRING, M18.3 x 24 x 1.5,
9	5184345	1	VERBINDINGSBOUT,
10	13000490	2	SLANGKLEM, D=20-30



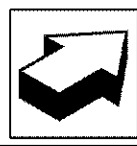
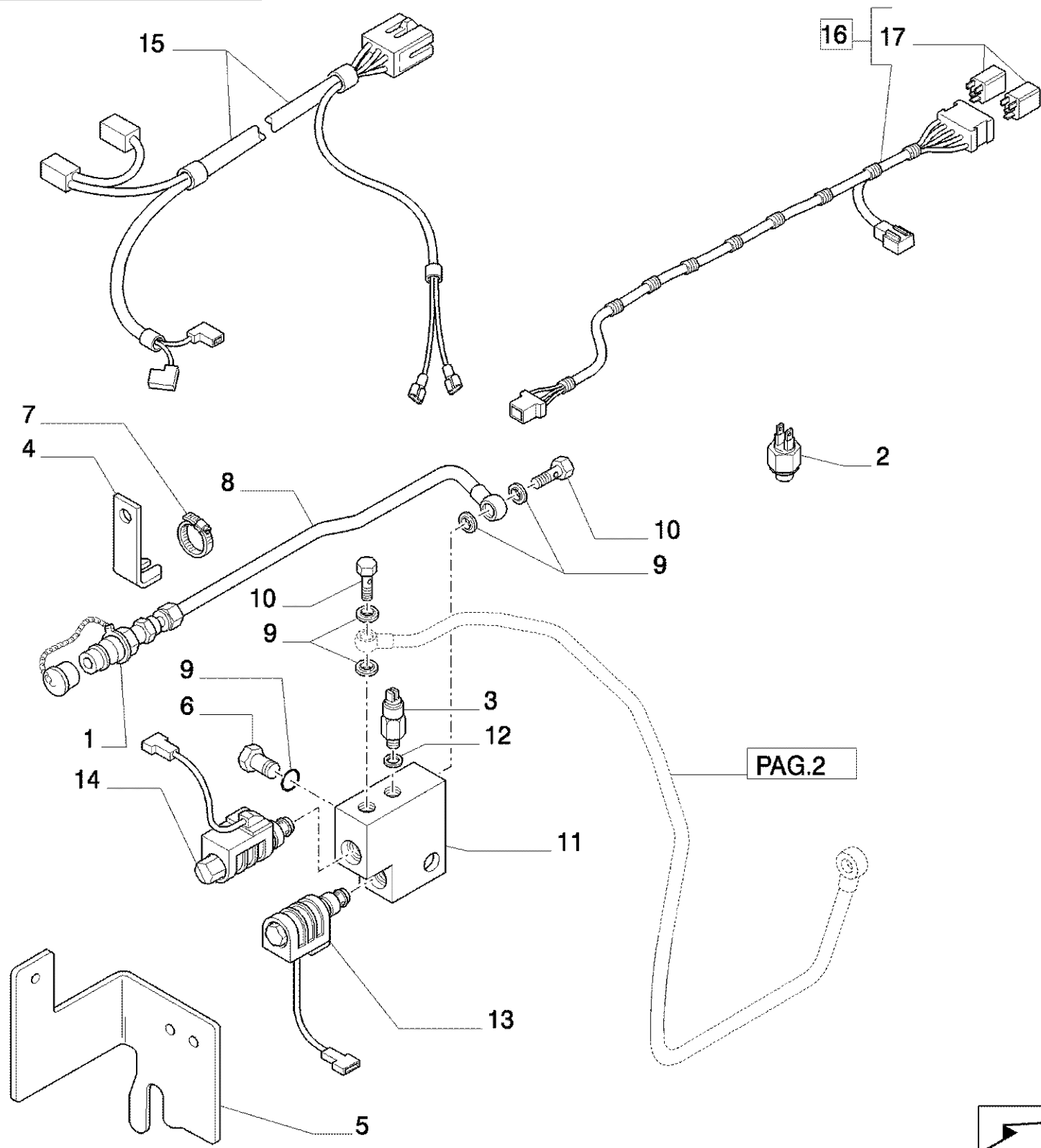
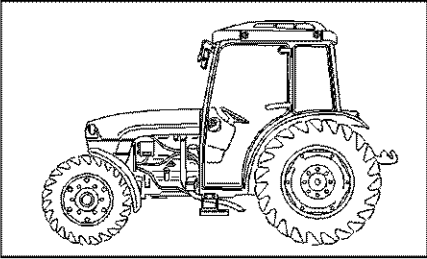
Ref	Onderdeelnummer	Kwt	Beschrijving
1	5184345	1	VERBINDINGSBOUT, M22
2	5186176	2	DICHTRING,
3	5180602	1	VASTE BUIS,
4	5180483	1	VASTE BUIS,
5	5155665	1	VERBINDING,
6	5186176	6	DICHTRING, 18x24
7	5184345	2	VERBINDINGSBOUT,
8	10571774	2	SLUITRING, D=8
10	47132616	1	KLEP, HYDRAULISCH, ASSY
11	5180615	1	VASTE BUIS,
12	5157483	1	KONTROLEKLEP,
9	16044424	2	BOUT, Hex, M8 x 60, 8.8,



360 KOMPAKT TRACTOR (4/03-) - Hydraulisch Systeem

1.82.714(02) (VAR.372) VENTIEL REM AANHANGWAGEN (ITALIE) - BUIZEN

Ref	Onderdeelnummer	Kwt	Beschrijving
1	5161047	1	DRUKSCHAKELAAR, Oil Pressure, Hydr. Steering
2	5181311	1	VASTE BUIS,
3	5180650	1	VASTE BUIS,
4	5184345	1	VERBINDINGSBOUT,
5	5113983	1	VERBINDINGSBOUT,
6	10261060	4	WASHER, COPPER, M12.2 x 16 x 1.5, Copper,
7	10185011	1	VERBINDINGSBOUT, M12 x 1.25 x 23,
8	5186176	2	DICHTRING,

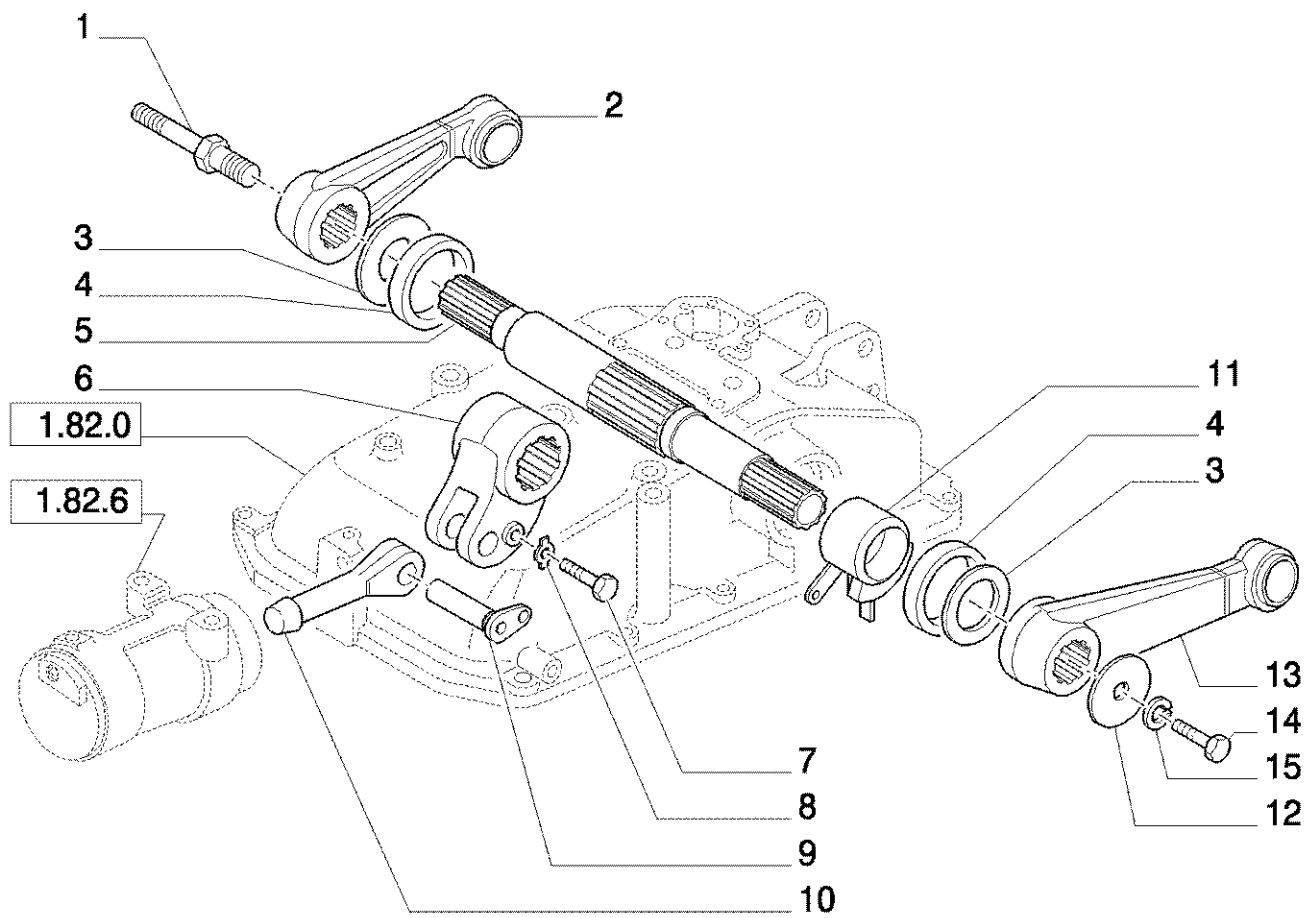
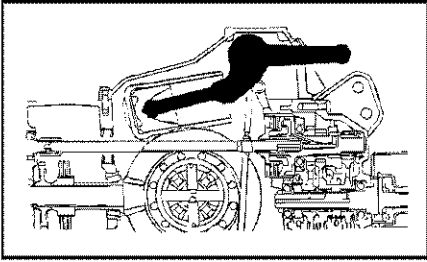


360 KOMPAKT TRACTOR (4/03-) - Hydraulisch Systeem

1.82.714(03) (VAR.372) VENTIEL REM AANHANGWAGEN (ITALIE) - ELEKTROKLEPPEN

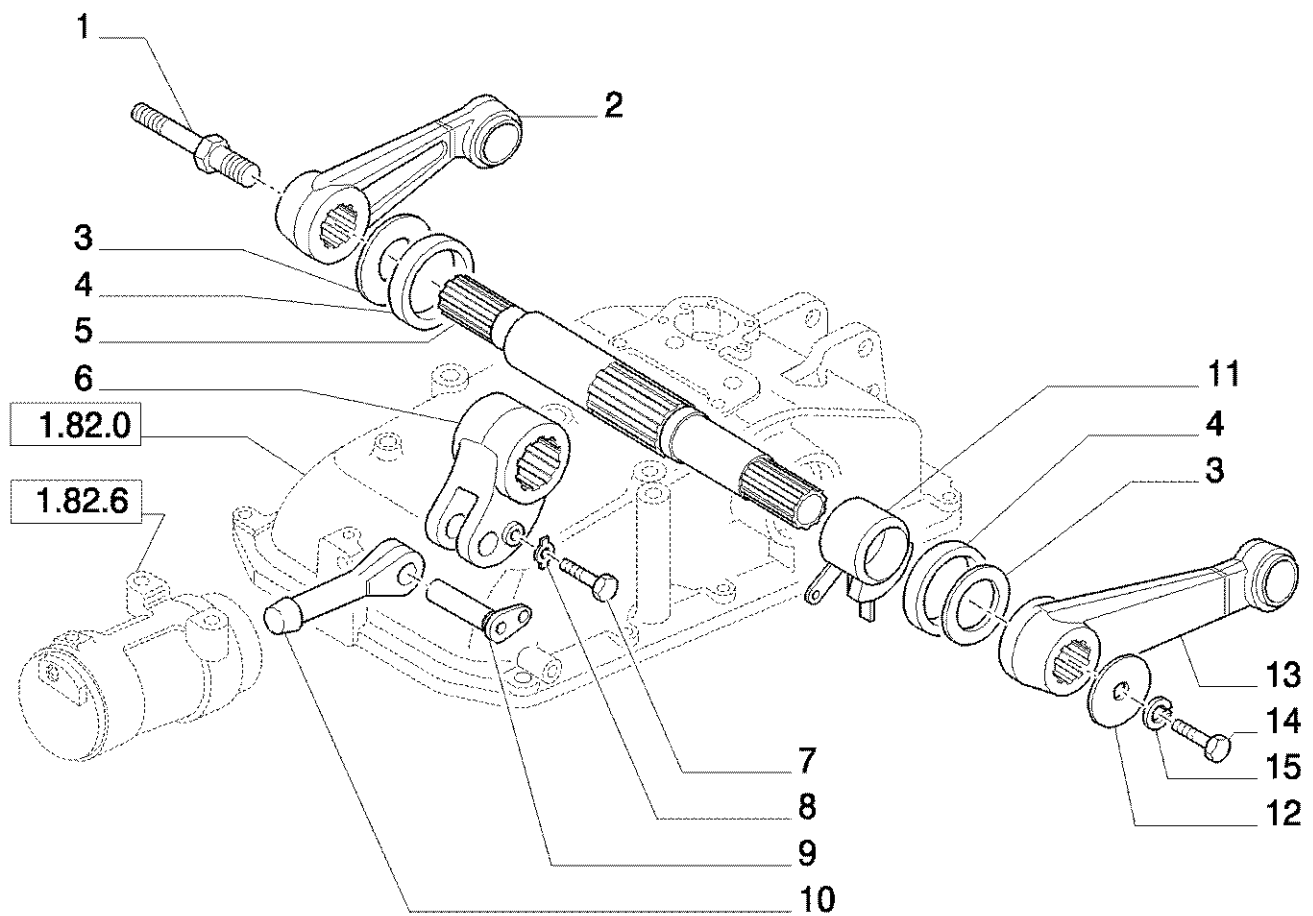
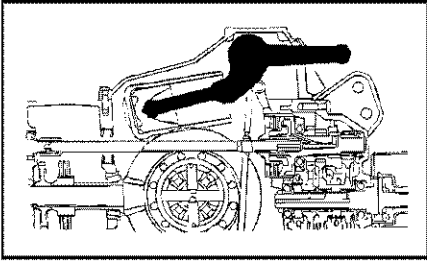
Ref	Onderdeelnummer	Kwt	Beschrijving
1	44015354	1	SNELKOPPELING,
2	82030730	1	DRUKSCHAKELAAR, Oil Pressure, Transmission
3	5161047	1	DRUKSCHAKELAAR, Oil Pressure, Hydr. Steering
4	5174628	1	STEUNBEUGEL,
5	47128721	1	STEUN,
6	5174642	1	VERBINDINGSBOUT,
7	13000490	2	SLANGKLEM, D=20-30
8	5174640	1	VASTE BUIS,
9	10259960	5	DICHTRING, M18.3 x 24 x 1.5,
10	5184345	2	VERBINDINGSBOUT, M18x34
11	5176996	1	BLOK,
12	10261060	2	WASHER, COPPER, M12.2 x 16 x 1.5, Copper,
13	5177699	1	STOOTLAGER,
14	5177698	1	STOOTLAGER,
15	5189946	1	ELECTRISCHE KABEL,
16	5192249	1	ELECTRISCHE KABEL,
17	5171083	2	RELAIS, 12V/20A

1.82.8 AS EN TRANSMISSIE

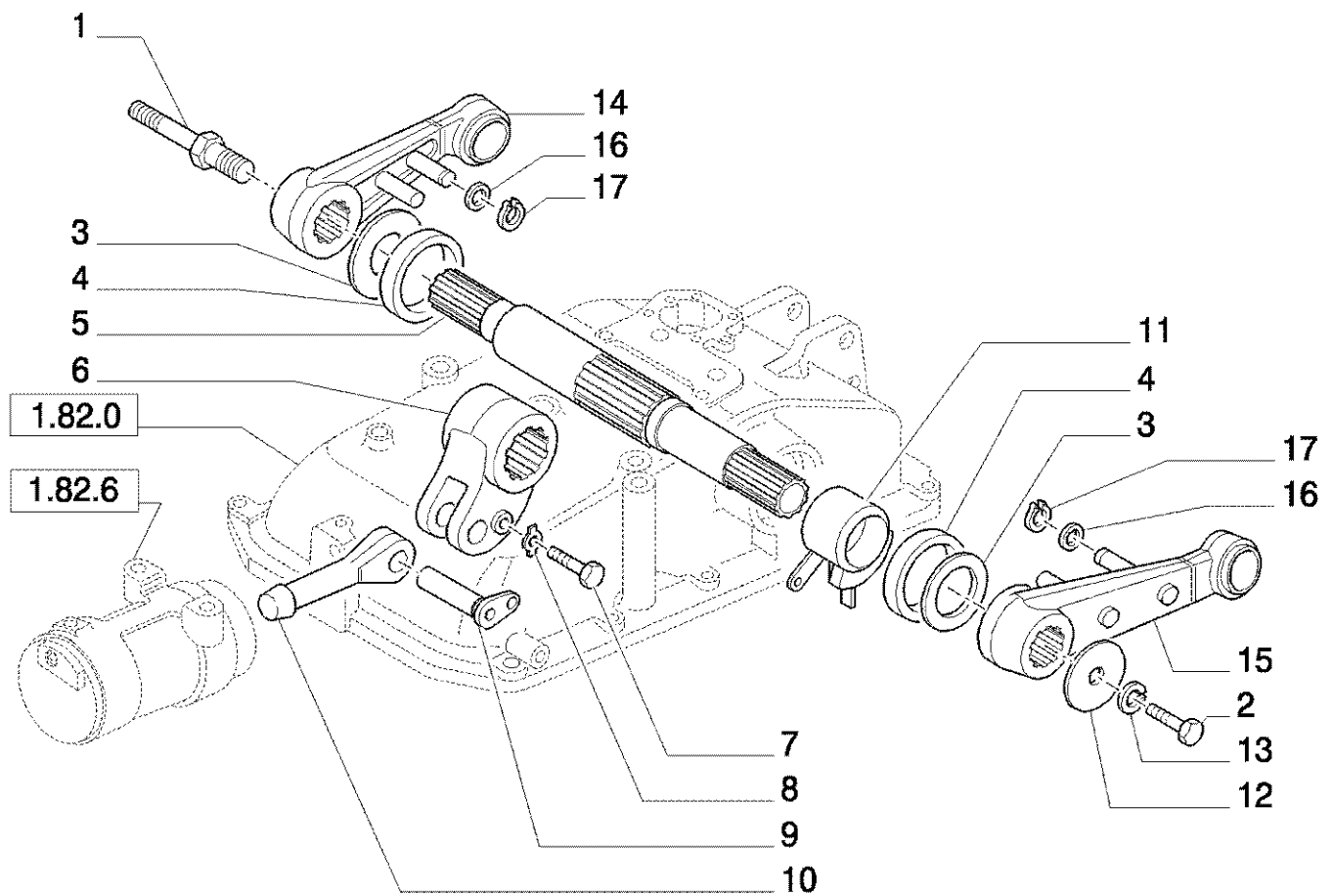
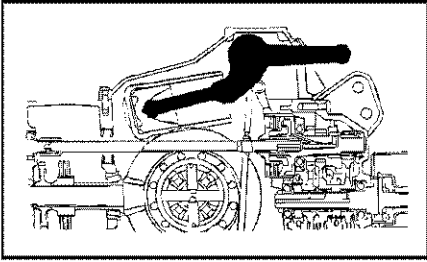


1.82.8 AS EN TRANSMISSIE

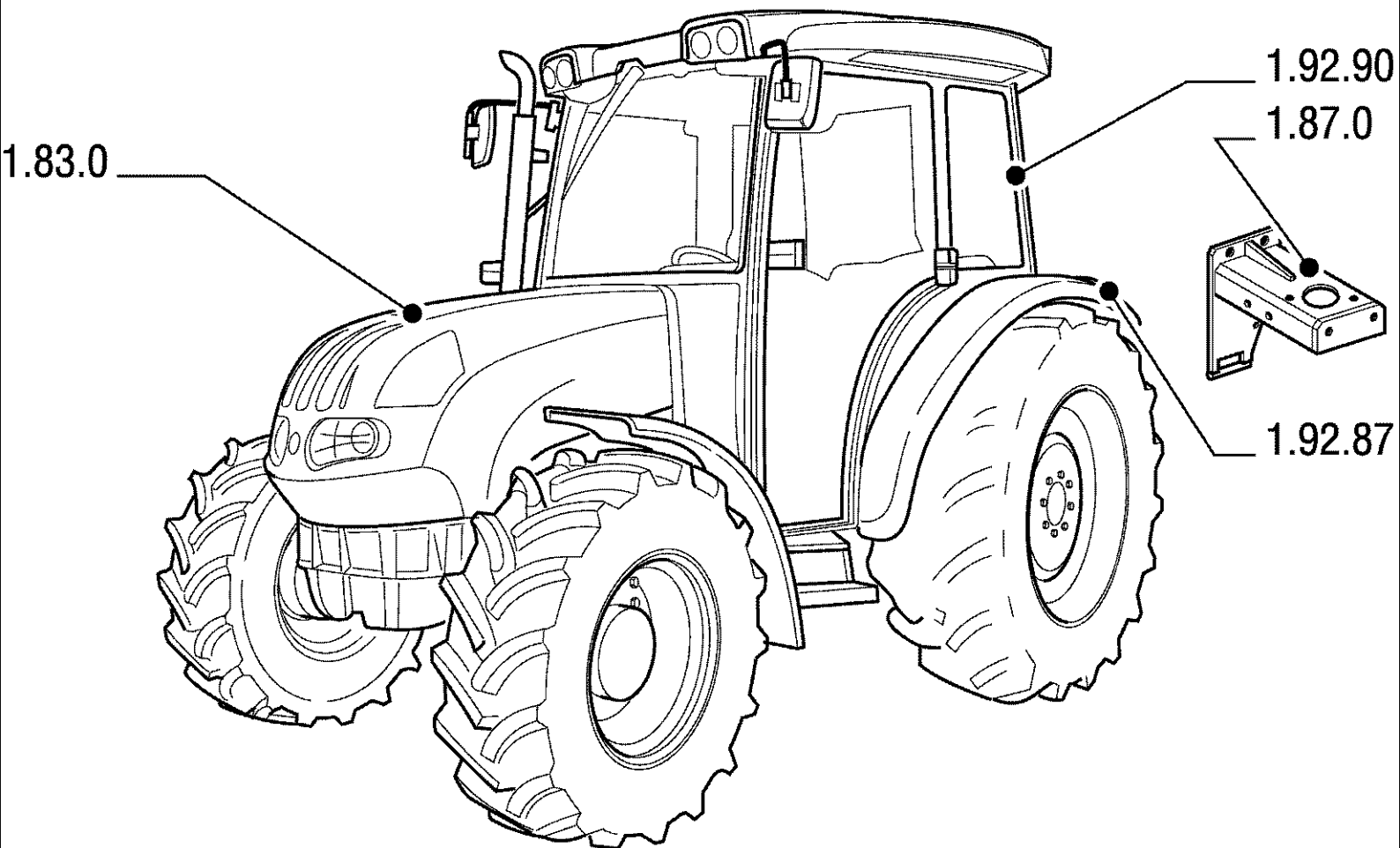
Ref	Onderdeelnummer	Kwt	Beschrijving
1	5176285	1	SCHROEF,
2	5176726	1	ARM, RH, ASSY
3	5125649	2	AFSTANDSRING,
4	5125650	2	DICHTINGSRING, 48x65
5	5176508	1	AANDRIJFAS,
6	5176633	1	ARM,
8	14198810	1	BORGPLAAT, D=10
9	5176612	1	PEN,
10	5121221	1	STUT,
11	5176643	1	RING,
12	5122898	2	VEERRING,
13	5176728	1	ARM, LH, ASSY
14	11422324	1	BOUT, Hex, M14 x 1.5 x 30, 8.8, Full Thd,
15	11194174	1	WASHER, SPRING, Belleville, M10.5, 14x27
7	15970624	1	BOUT, Hex, M10 x 1.25 x 22, 8.8, Full Thd,



Ref	Onderdeelnummer	Kwt	Beschrijving
1	5176285	1	SCHROEF,
2	5176875	1	ARM, RH ASSY
3	5125649	2	AFSTANDSRING,
4	5125650	2	DICHTINGSRING, 48x65
5	5176508	1	AANDRIJFAS,
6	5176633	1	ARM,
8	14198810	1	BORGPLAAT, D=10
9	5176612	1	PEN,
10	5121221	1	STUT,
11	5196478	1	RING,
12	5122898	2	VEERRING,
13	5176728	1	ARM, LH ASSY
14	11422324	1	BOUT, Hex, M14 x 1.5 x 30, 8.8, Full Thd,
15	11194174	1	WASHER, SPRING, Belleville, M10.5, 14x27
7	15970624	1	BOUT, Hex, M10 x 1.25 x 22, 8.8, Full Thd,



Ref	Onderdeelnummer	Kwt	Beschrijving
1	5176285	1	SCHROEF,
2	11422324	1	BOUT, Hex, M14 x 1.5 x 30, 8.8, Full Thd,
3	5125649	2	AFSTANDSRING,
4	5125650	2	DICHTINGSRING, 48x65
5	5176508	1	AANDRIJFAS,
6	5176633	1	ARM,
8	14198810	1	BORGPLAAT, D=10
9	5176612	1	PEN,
10	5121221	1	STUT,
11	5176643	1	RING,
13	11194179	1	WASHER, SPRING, Belleville, M15,
12	5122898	2	VEERRING,
14	5180289	1	HEFARM, RH, w/mech. lift
14	5186780	1	HEFARM, RH, w/elect. lift
15	5180290	1	HEFARM, LH
16	5148062	2	SLUITRING, 25,5X38
17	11067374	2	BORGVEER, M25, D=25
7	15970624	1	BOUT, Hex, M10 x 1.25 x 22, 8.8, Full Thd,

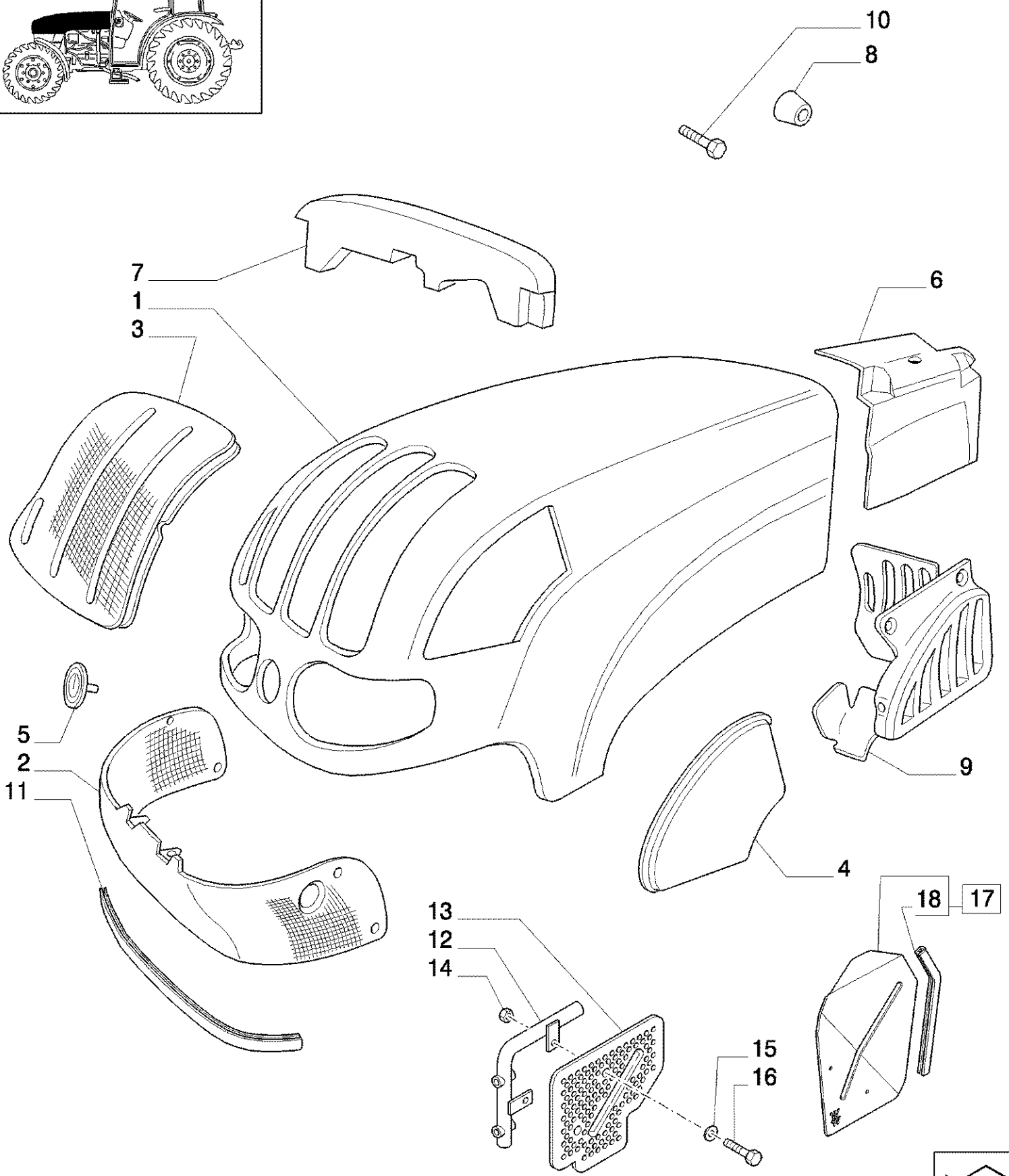
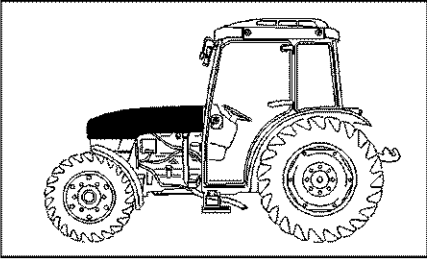


360 KOMPAKT TRACTOR (4/03-) - Metalen Platen

1.82.9 SEC. 08 - MATALEN PLATEN

Ref	Onderdeelnummer	Kwt	Beschrijving

1.83.0(01) MOTORKAPPEN

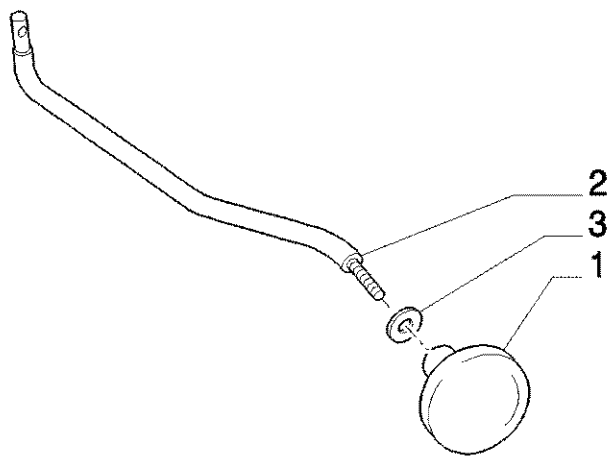
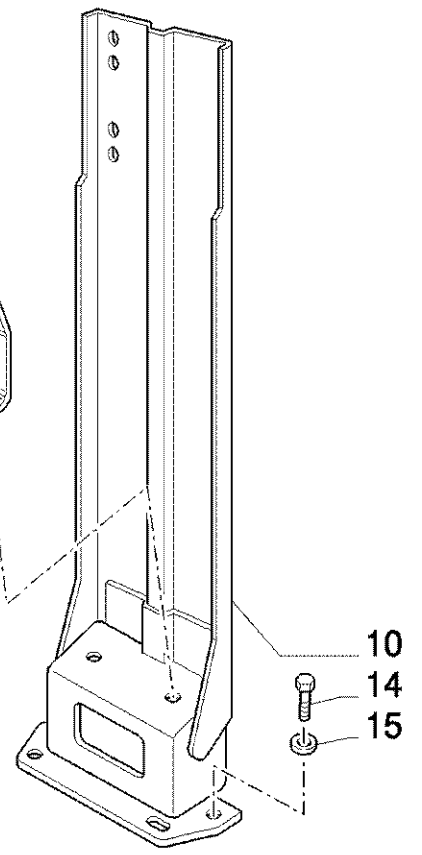
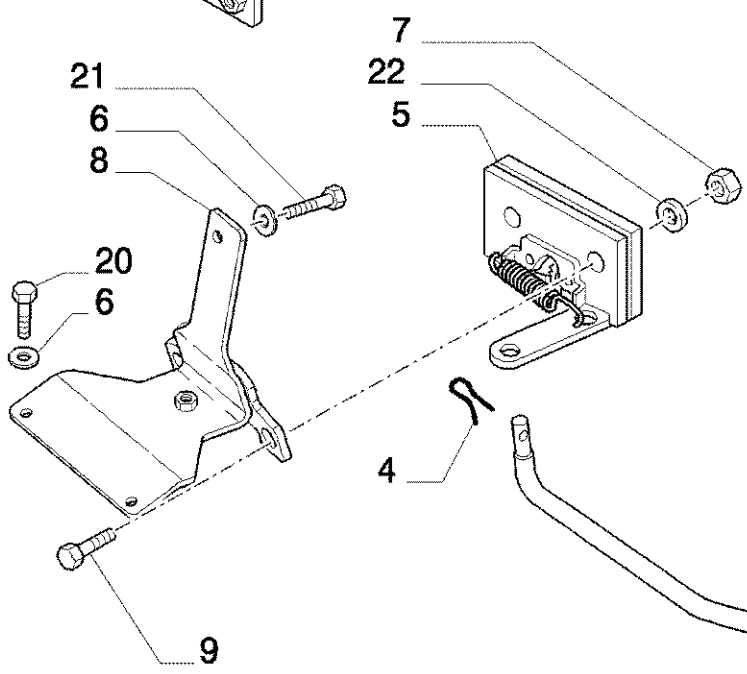
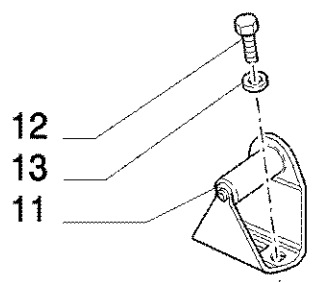
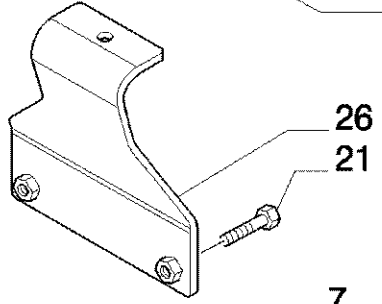
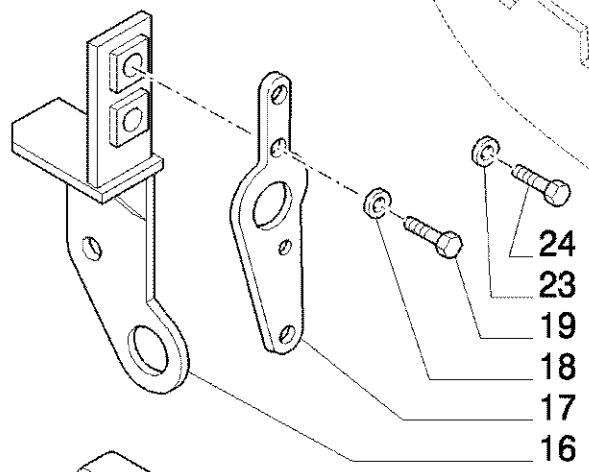
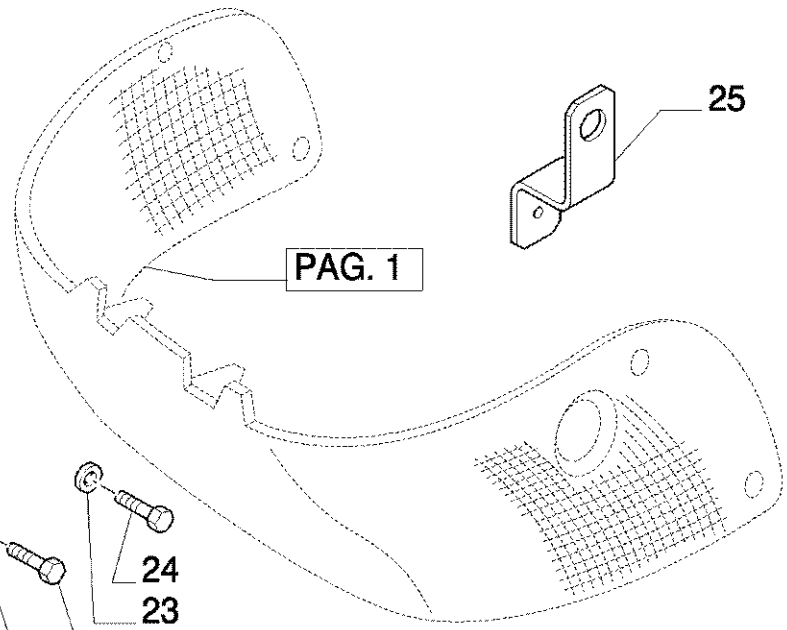
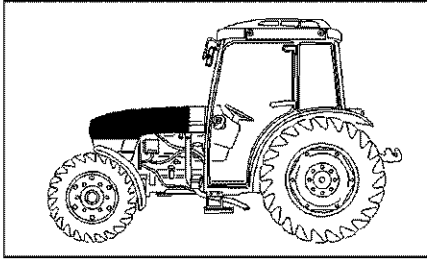


360 KOMPAKT TRACTOR (4/03-) - Metalen Platen

1.83.0(01) MOTORKAPPEN

Ref	Onderdeelnummer	Kwt	Beschrijving
1	47056001	1	GEREEDSCHAP,
2	87351767	1	ROOSTER,
3	47056080	1	ROOSTER,
4	47056083	1	ROOSTER, RH
4	47056082	1	ROOSTER, LH
5	47056192	1	SYMBOLLEN,
6	47056745	1	AFSCHERMING,
7	47056205	1	DICHTINGSSTUK,
8	47056212	4	SLUITRING,
9	47128259	1	ROOSTER, LH, FOR VAR. 199 ONLY
10	15963201	4	SCHROEF,
11	47129997	1	DICHTINGSRING, L=1212MM.
12	47057269	1	U-RAAM, LH
12	47057270	1	U-RAAM, RH
13	47057250	1	ROOSTER, RH
13	47057251	1	ROOSTER, LH
14	12574211	4	NUT, LOCK, M6 x 1, CI 8,
15	14498804	4	SLUITRING, M6 x 16.3 x 1,
16	86511829	4	SCHROEF, Cross Pan Hd, M6 x 16,
17	87309961	1	ROOSTER, Fan Guard
18	87309864	1	DICHTINGSSTUK,

1.83.0(02) MOTORKAPPEN

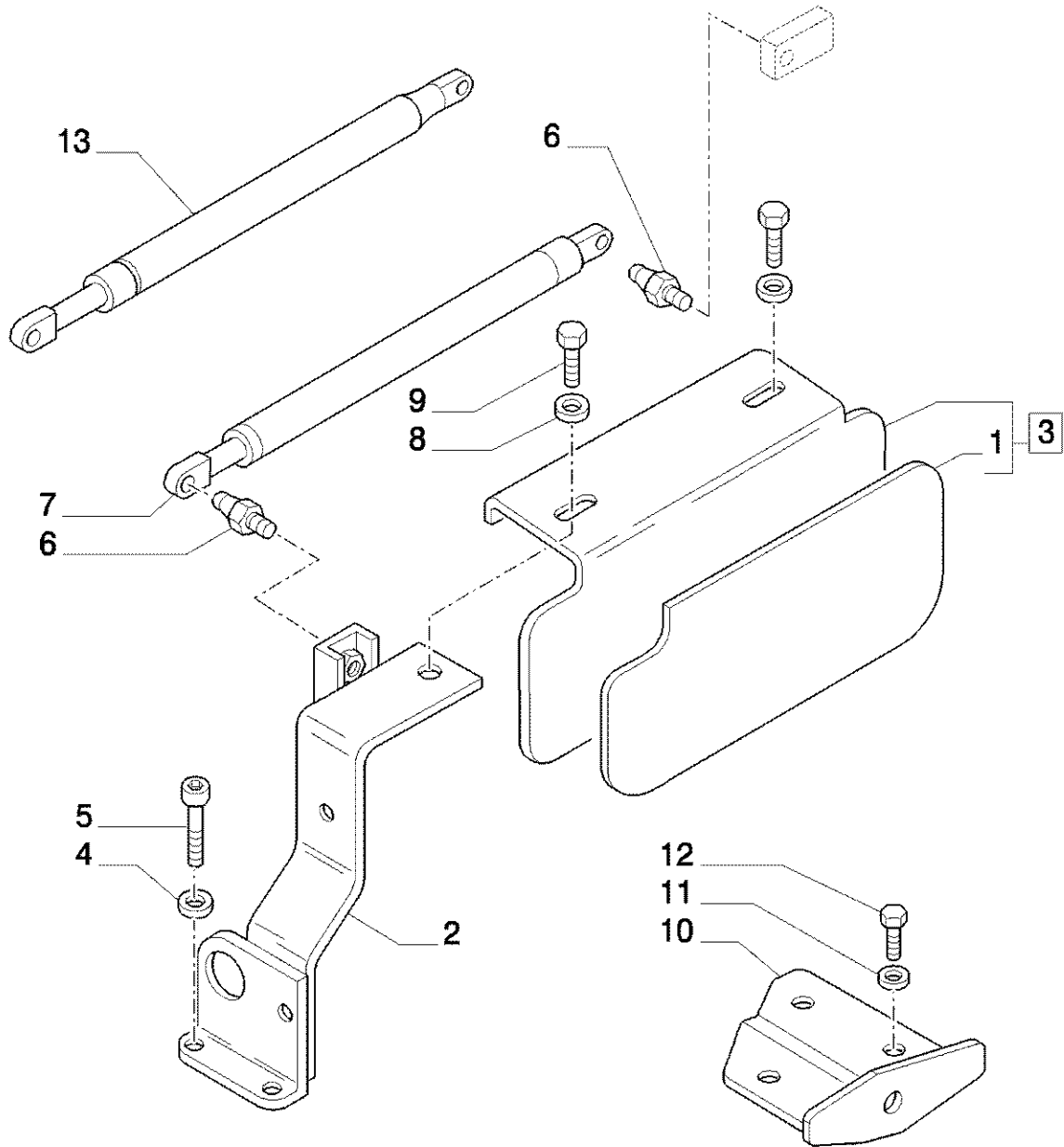
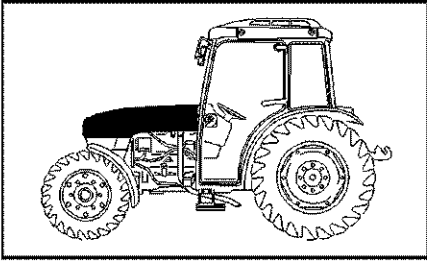


360 KOMPAKT TRACTOR (4/03-) - Metalen Platen

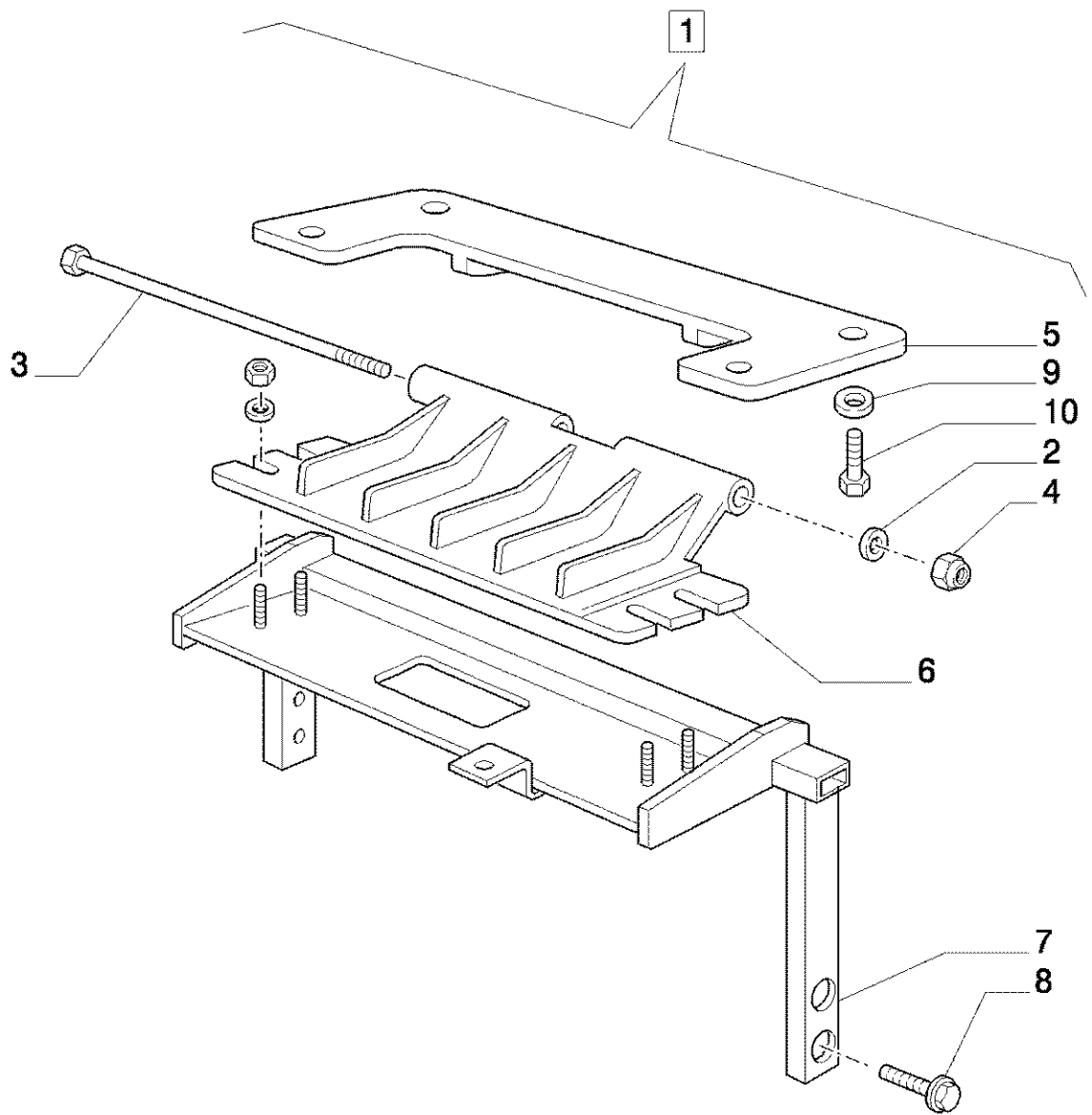
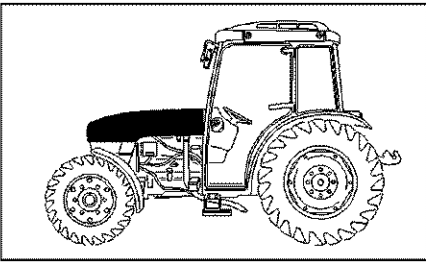
1.83.0(02) MOTORKAPPEN

Ref	Onderdeelnummer	Kwt	Beschrijving
1	47056191	1	DRUKKNOP,
2	47056848	1	TREKSTANG,
3	15896221	1	MOER, M6, CI 10,
4	10734101	1	SPLITPEN, M1.6 x 12,
5	47056830	1	SLOT,
6	13550201	2	SLUITRING, D=6
7	15896221	2	MOER, M6, CI 10,
8	87347549	1	ROOSTER,
9	10903024	2	BOUT, Hex, M6 x 35, 8.8,
10	47128411	1	STEUN,
11	47127352	1	SLAGHAMERPLAAT,
12	14305221	2	SCHROEF, Hex Soc Hd, M6 x 16, 8.8,
13	11193274	3	WASHER, SPRING, Belleville, M6.4,
14	16043524	4	BOUT, Hex, M8 x 22, 8.8, Full Thd,
15	11193874	4	WASHER, SPRING, Belleville, M8.4, D=8
16	5183651	1	STEUNBEUGEL, RH
17	87304321	1	STEUNBEUGEL, LH
18	11193874	4	WASHER, SPRING, Belleville, M8.4, D=8
19	16043624	4	BOUT, Hex, M8 x 25, 8.8, Full Thd,
20	10902124	2	BOUT, Hex, M6 x 14, 8.8, Full Thd,
21	10902324	3	BOUT, Hex, M6 x 18, 8.8, Full Thd, Hex, M6 x 45, 8.8
22	14498804	4	SLUITRING, M6 x 16.3 x 1,
23	12615674	2	SLUITRING, D=10
24	14442524	2	M10x20
25	47135910	1	HITCH,
26	87347595	1	STEUNBEUGEL,

1.83.0(03) MOTORKAPPEN



Ref	Onderdeelnummer	Kwt	Beschrijving
1	5188673	1	AFSCHERMING,
2	47132301	1	STEUN,
3	5188675	1	STEUN,
4	11193974	2	WASHER, SPRING, Belleville, M8.4, D=8
5	14306221	4	SCHROEF, Hex Soc Hd, M8 x 16, 8.8,
6	83952214	2	KOGELPEN,
7	47132448	1	SCHOKDEMPER, , -C5412
8	11193874	6	WASHER, SPRING, Belleville, M8.4, 8x16
9	16043624	2	BOUT, Hex, M8 x 25, 8.8, Full Thd,
10	47057128	1	STEUNBEUGEL,
11	14496521	3	SLUITRING, M8 x 17 x 1.6,
11	11194079	2	WASHER, SPRING, Belleville, M8.4, 8x16
12	16043124	3	BOUT, Hex, M8 x 14, 8.8, Full Thd,
12	16043424	2	BOUT, Hex, M8 x 20, 8.8, Full Thd,
13	47128566	1	VEER, , D5412-

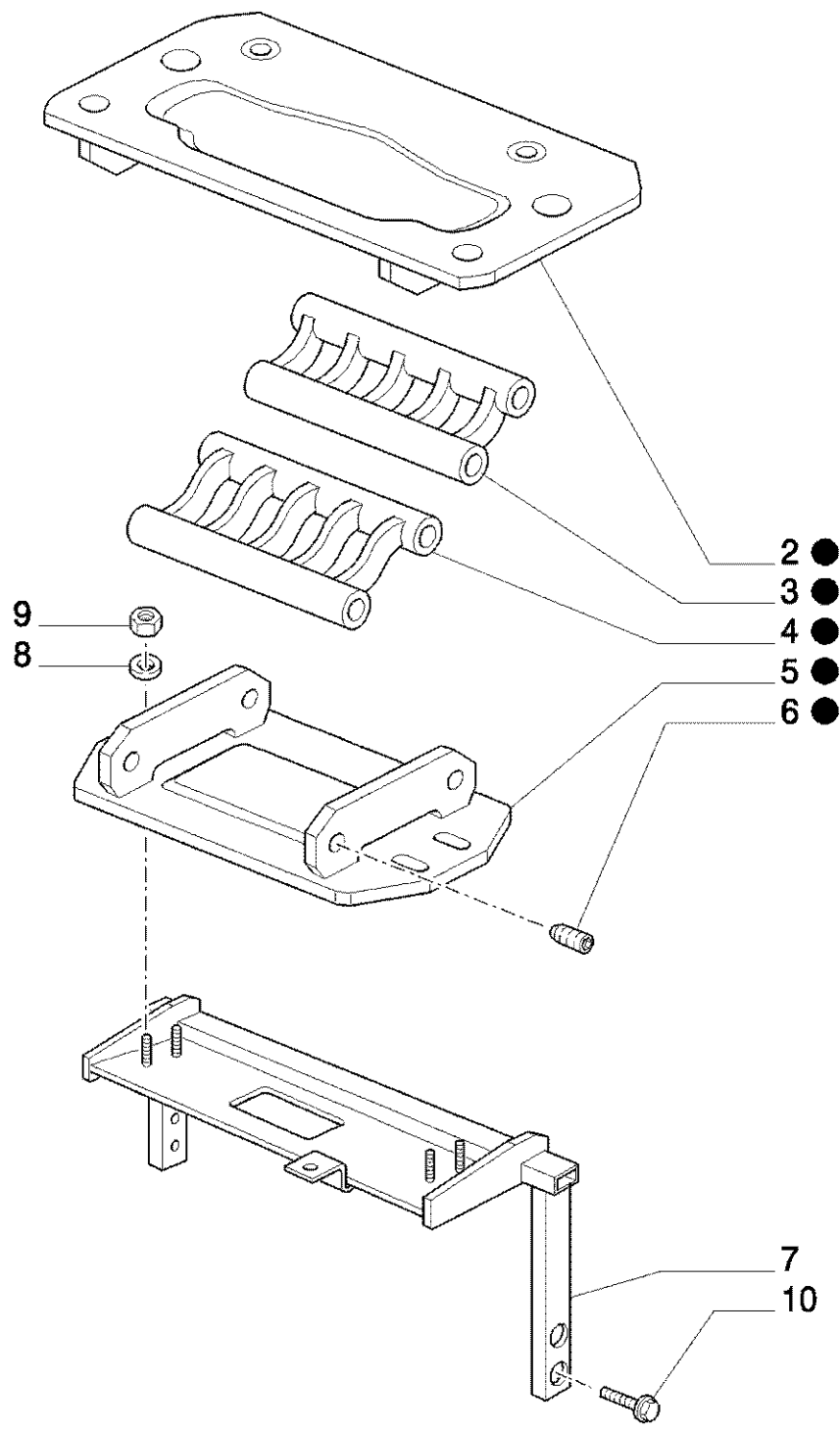
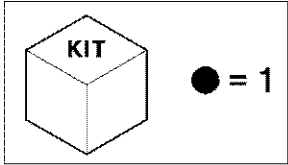
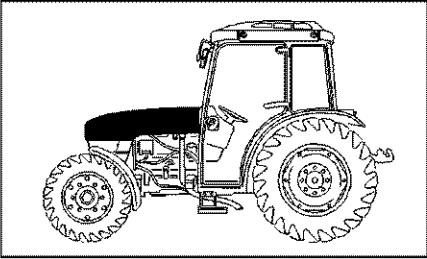


360 KOMPAKT TRACTOR (4/03-) - Metalen Platen

1.83.0(04) MOTORKAPPEN - C5222

Ref	Onderdeelnummer	Kwt	Beschrijving
1	47128421	1	SCHARNIER, ASSY, INCL. REF. 1, 2, 3, 4, 5, 6
2	12638501	1	SLUITRING, M8 x 15 x 1.5,
3	16046534	1	BOUT, Hex, M8 x 170, 10.9,
4	16104111	1	NUT, LOCK, M8 x 1.25, CI 8,
5	47128422	1	SCHARNIER,
6	47128423	1	STEUNARM,
7	5188662	1	STEUN,
8	14306324	4	SCHROEF, Hex Soc Hd, M8 x 20, 8.8,
9	12646824	2	SLUITRING, M10 x 25 x 2,
10	10979224	2	BOUT, Hex, M10 x 16, 8.8, Full Thd,

C5222 Serial N.HJR060591

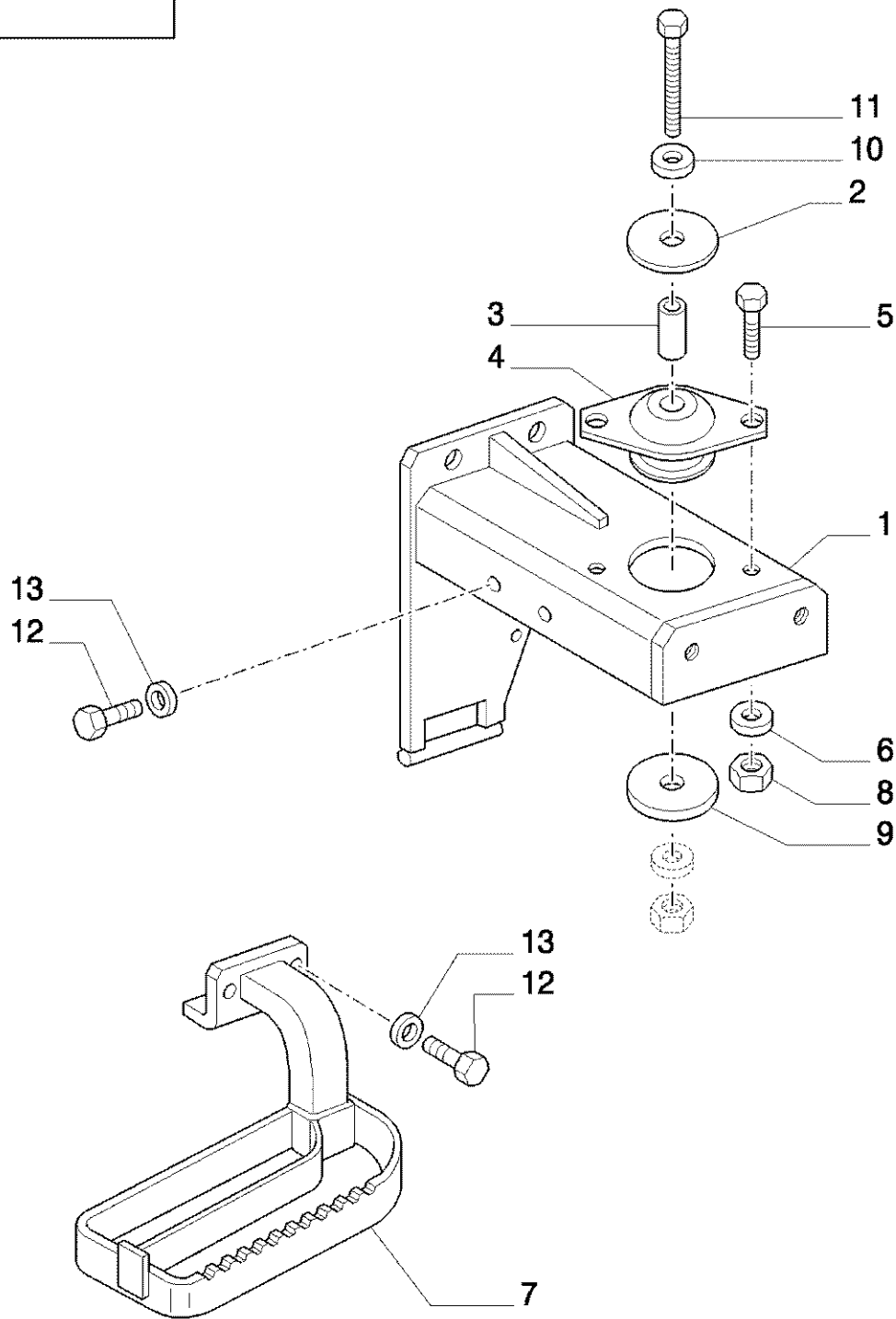
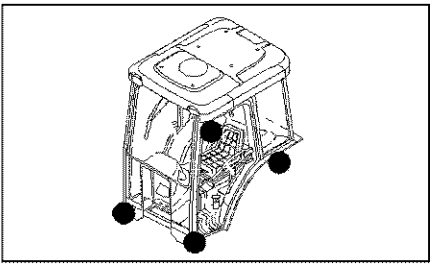


360 KOMPAKT TRACTOR (4/03-) - Metalen Platen

1.83.0(04A) MOTORKAPPEN - D5222

Ref	Onderdeelnummer	Kwt	Beschrijving
1	87340129	1	SCHARNIER, ASSY
2	87340130	1	
3	5191327	1	ARM,
4	5191326	1	ARM,
5	87340174	1	
6	87342375	4	
7	5188662	1	STEUN,
8	12574215	4	NUT, LOCK, M6 x 1, CI 8,
9	11194674	4	WASHER, SPRING, Belleville, M6.4,
10	14306221	4	SCHROEF, Hex Soc Hd, M8 x 16, 8.8,

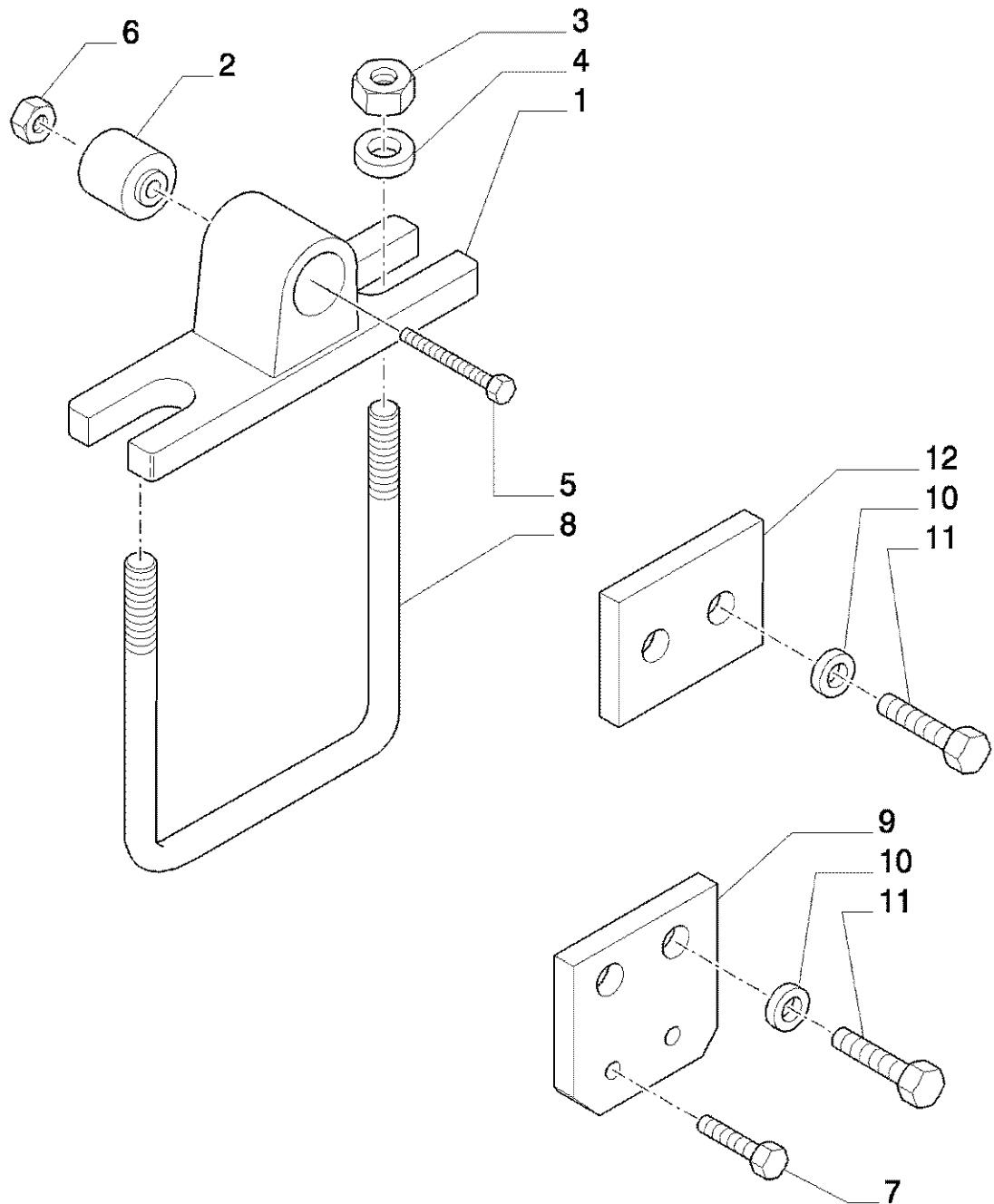
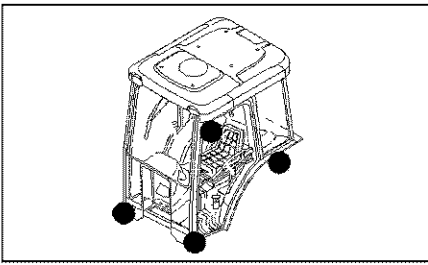
D5222 Serial N.HJR060592



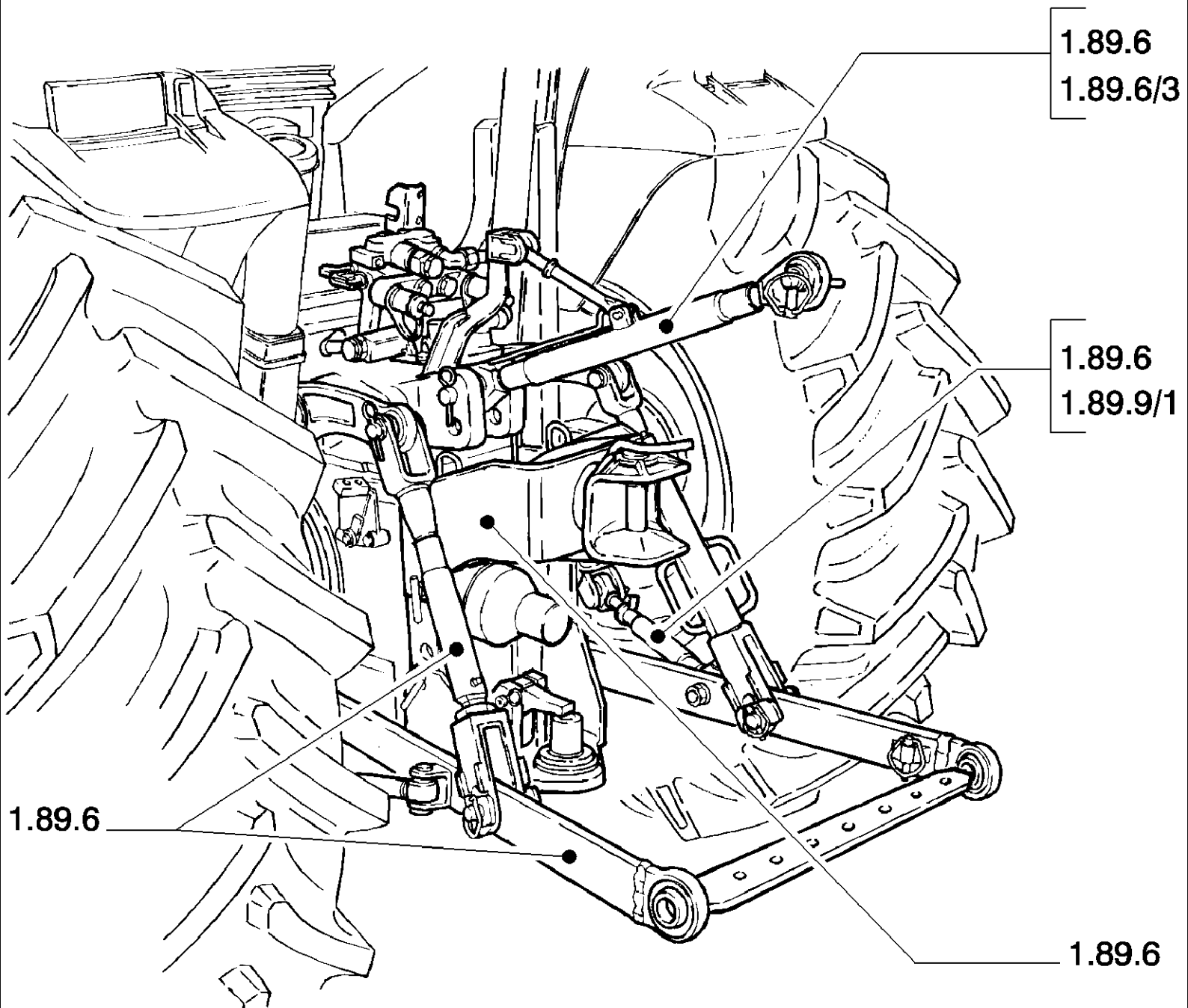
360 KOMPAKT TRACTOR (4/03-) - Metalen Platen

1.87.0(01) SUPPORTS ONDERSTEUNING CABINE

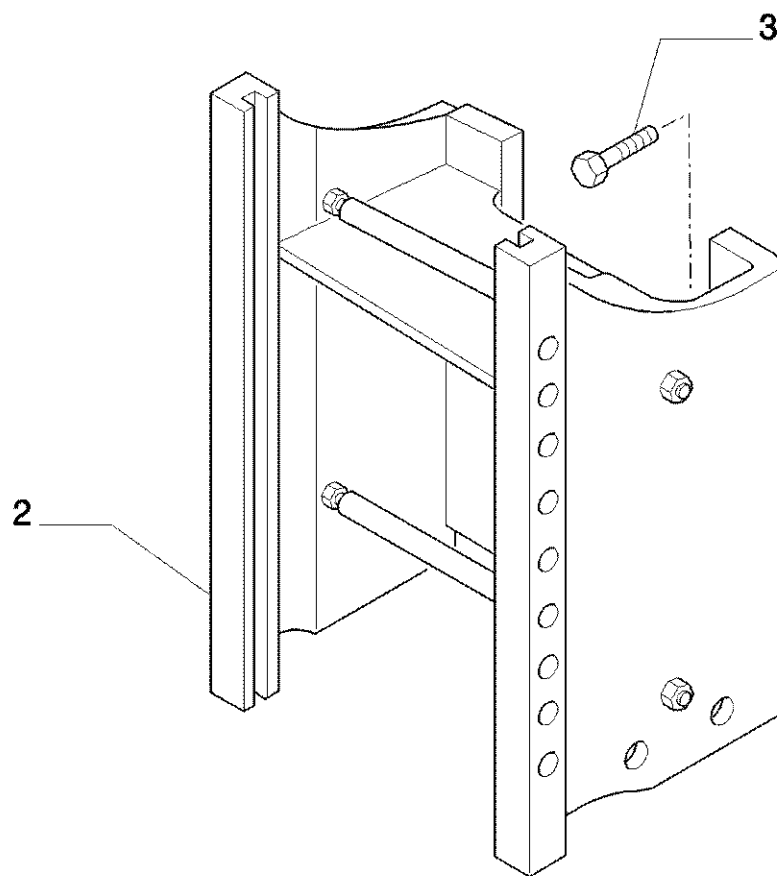
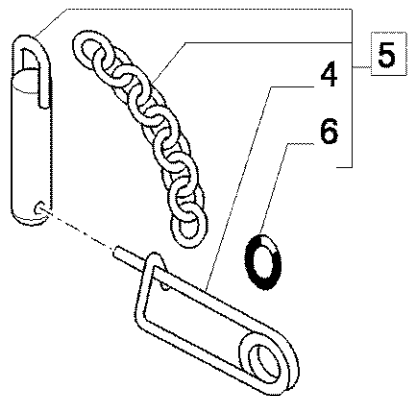
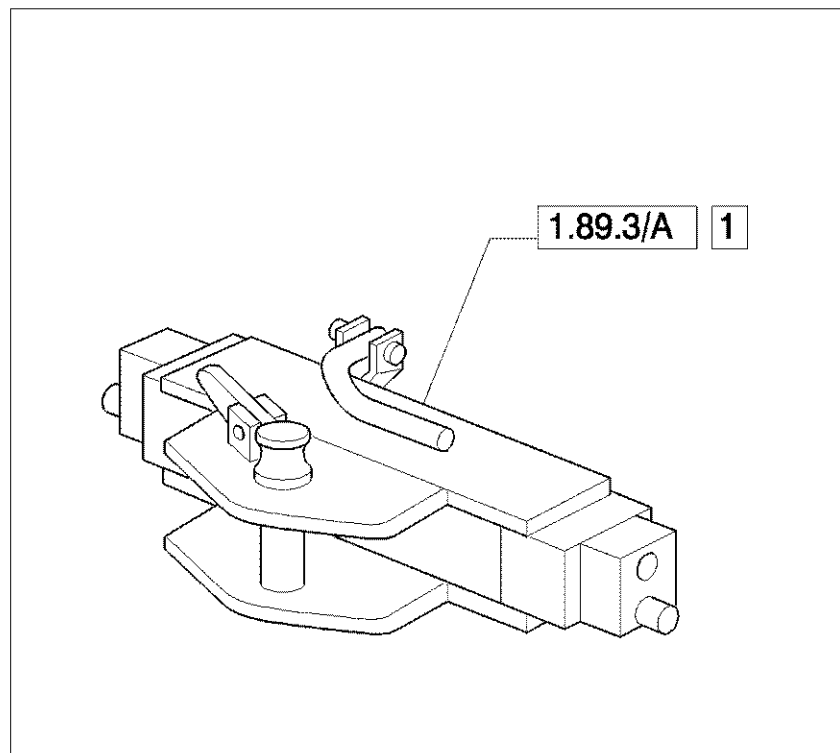
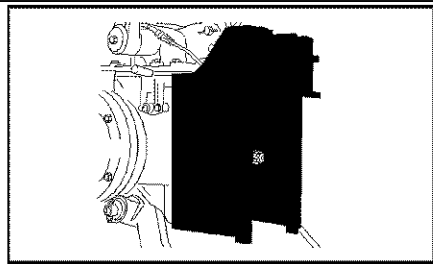
Ref	Onderdeelnummer	Kwt	Beschrijving
1	5175544	1	STEUN, RH, FRONT
1	5176157	1	STEUN, LH, FRONT
2	5132013	2	RING,
3	5132014	2	AFSTANDSRING, 17x24x57
4	5132016	2	ZUIGERVEERPAKKET,
5	15540424	4	BOUT, Hex, M12 x 1.25 x 30, 8.8, Full Thd,
6	11190774	4	WASHER, SPRING, Belleville, M13, M12 x 24
7	5176247	1	VOETSTEUN, LH
7	5176251	1	VOETSTEUN, RH
9	5132012	2	RING,
10	11200271	2	VEERRING, M16 x 34 x 4.4
11	11369624	2	BOUT, Hex, M16 x 1.5 x 110, 8.8,
12	15970724	5	BOUT, Hex, M10 x 1.25 x 25, 8.8, Full Thd,
13	11190574	6	WASHER, SPRING, Belleville, M10.5,
8	16101524	4	MOER, M12 x 1.25, CI 10,



Ref	Onderdeelnummer	Kwt	Beschrijving
1	5175933	2	STEUNBEUGEL, REAR
2	5177337	2	ELASTISCHE STEUN,
3	12164224	4	MOER, M18 x 1.5, CI 10,
4	5180982	4	SLUITRING, D=18
5	15877021	2	BOUT, Hex, M14 x 1.5 x 110, 8.8,
6	12574821	2	NUT, LOCK, M14 x 1.5, CI 10,
7	13798521	2	KRACHTBRON, Hex Soc, M8 x 8, Cone Pt,
8	5175526	2	HAAK,
9	5175548	4	AFSTANDSRING,
10	11191879	8	SLUITRING, 20x38
11	11124937	8	BOUT, Hex, M20 x 60, 10.9, Full Thd,
12	5183186	2	AFSTANDSRING,



Ref	Onderdeelnummer	Kwt	Beschrijving

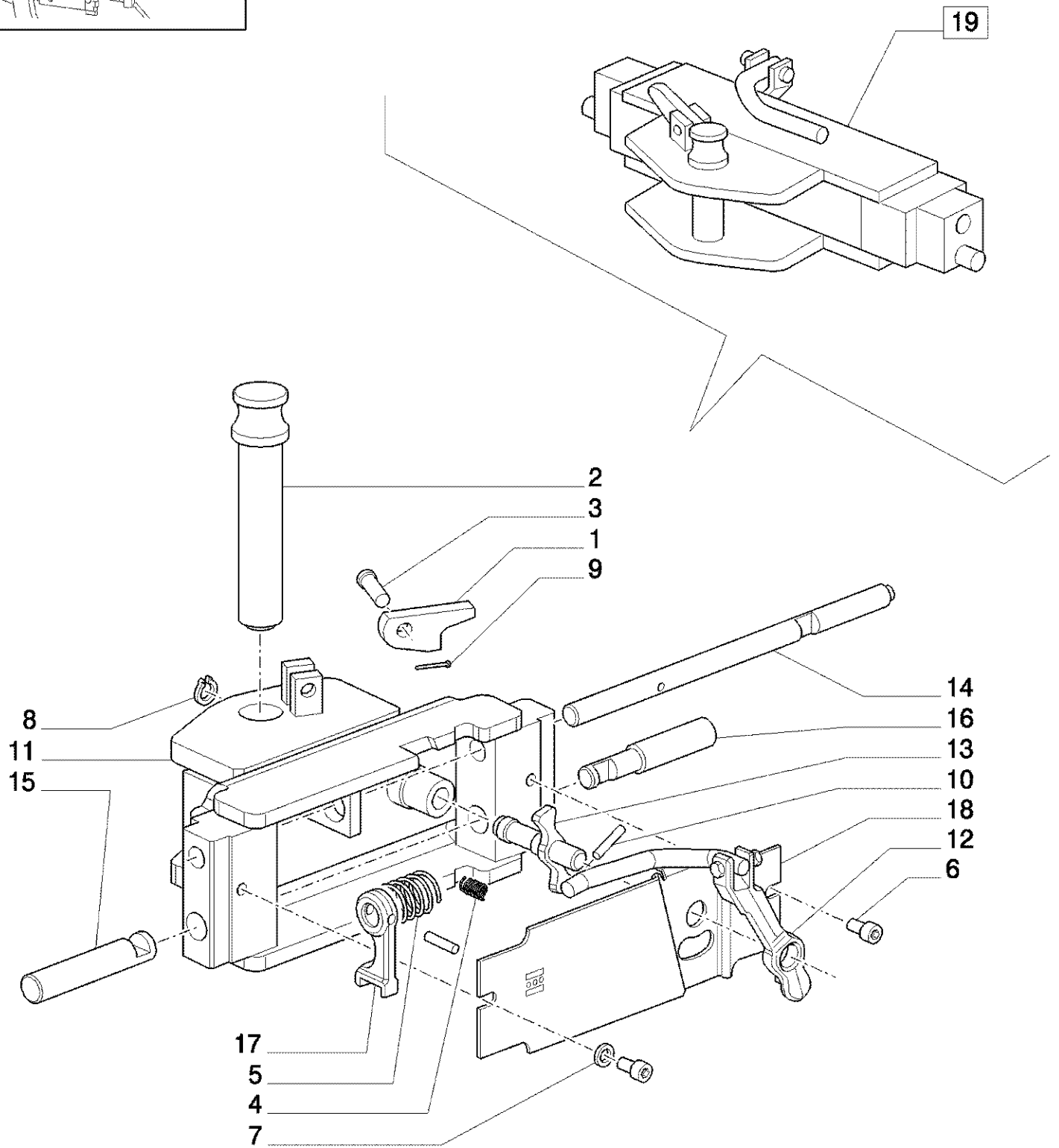
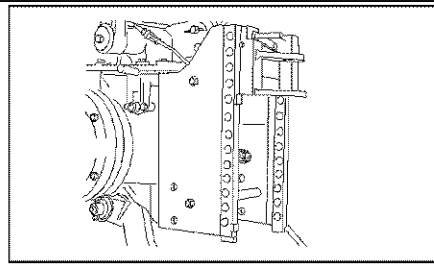


360 KOMPAKT TRACTOR (4/03-) - Opheffing / Vasthechting Werktuigen

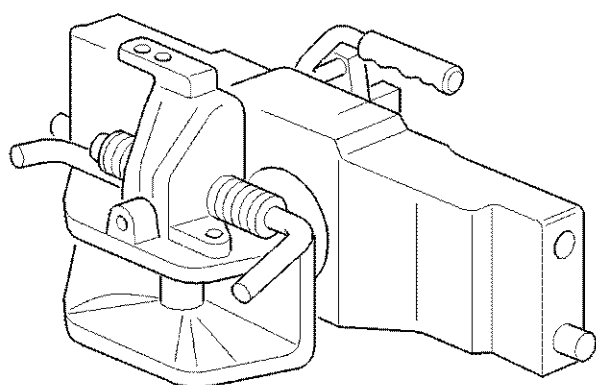
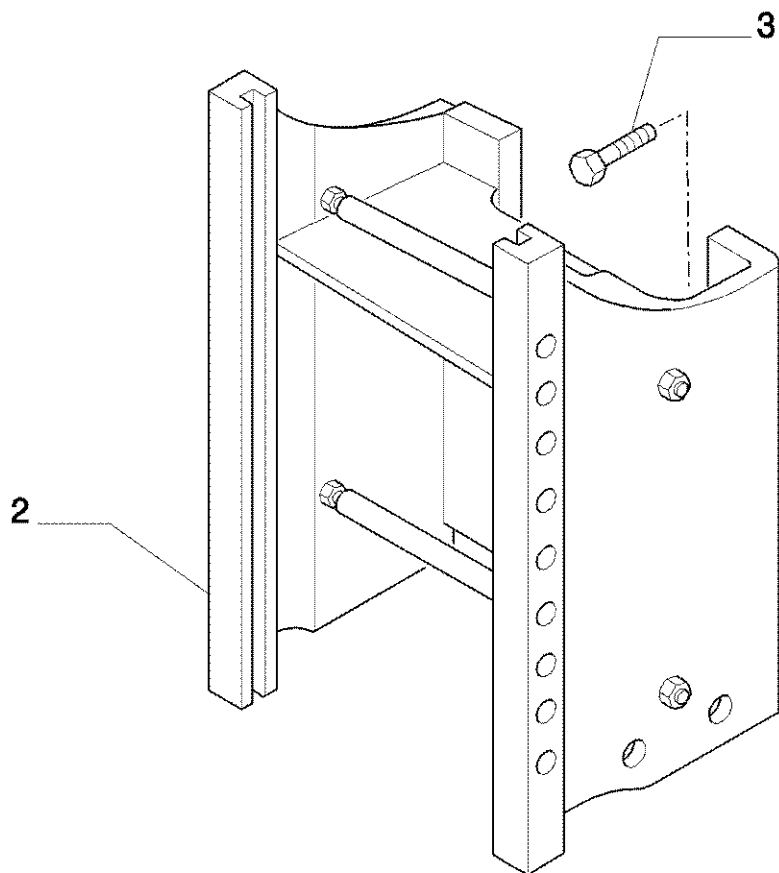
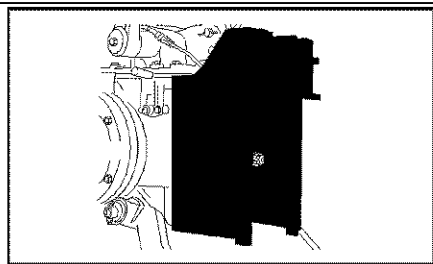
1.89.3 (VAR.928) SUPPORT MET HAAK CATEGORIE "C" (OP GLIJBLOK)

Ref	Onderdeelnummer	Kwt	Beschrijving
1	47129636	1	TREKHAAK, ASSY
2	47129583	1	STEUN,
3	11391524	8	BOUT, Hex, M16 x 1.5 x 45, 8.8, Full Thd,
4	5152004	1	SLUITPEN,
5	5162712	1	PEN,
6	44901192	2	KLEM,

1.89.3/ A (VAR.928) SUPPORT MET HAAK CATEGORIE "C" (OP GLIJBLOK) - DELEN COMPONENTEN



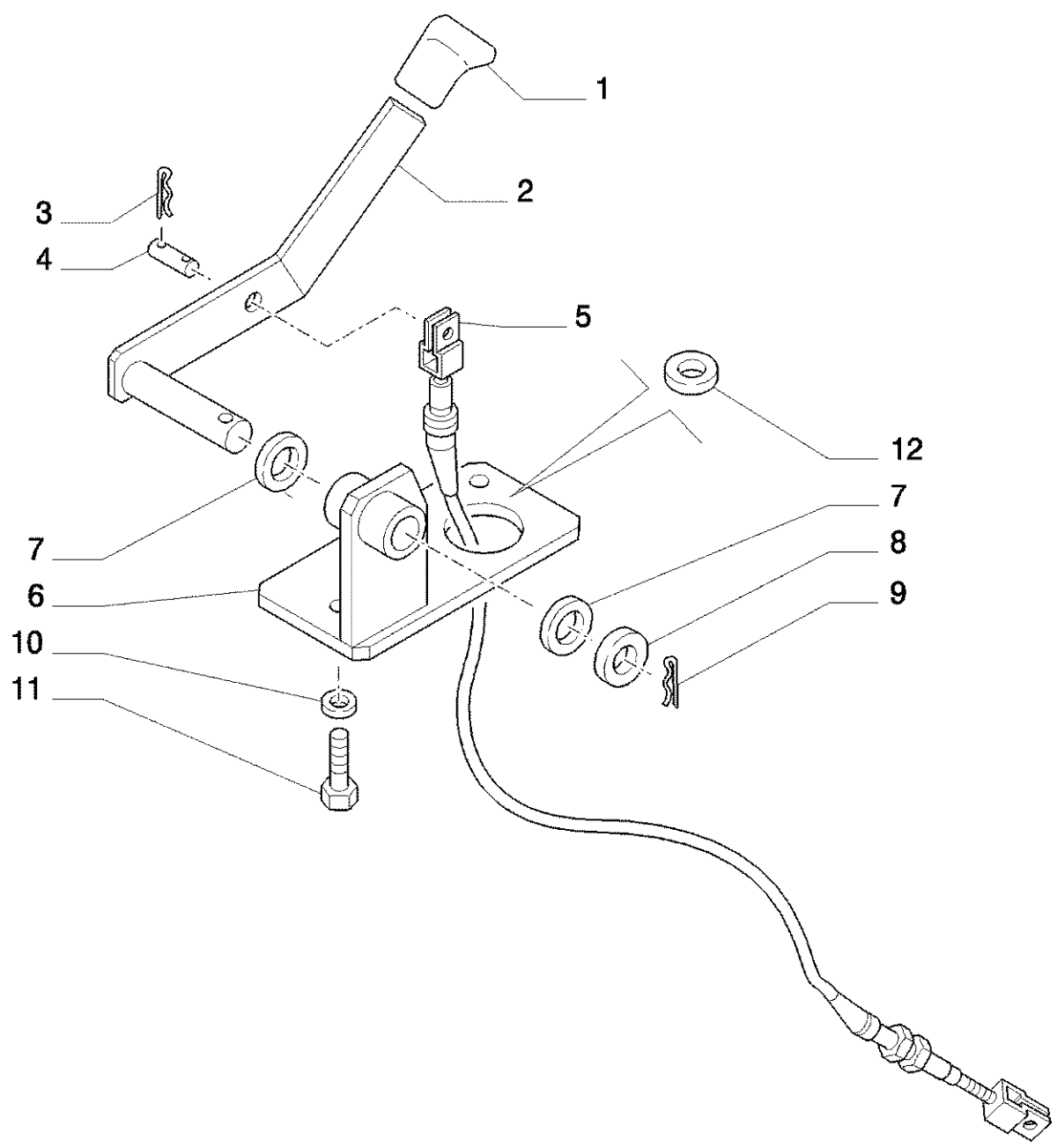
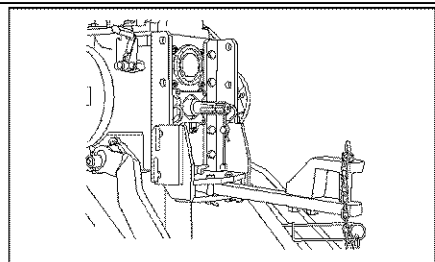
Ref	Onderdeelnummer	Kwt	Beschrijving
1	5130621	1	HEFBOOM,
2	5130629	1	PEN,
3	5130620	1	PEN,
4	47129632	1	VEER,
5	47129631	1	VEER,
6	14306221	2	SCHROEF, Hex Soc Hd, M8 x 16, 8.8,
7	5191173	1	VEERRING,
8	11066376	1	RING, SNAP, M15, Ext,
9	10734301	1	SPLITPEN, M2 x 18,
10	14604171	2	SLUITPEN, M6 x 30, Slotted,
11	47129639	1	HAAK,
12	47129622	1	HEFBOOM,
13	47129620	1	PEN,
14	47129619	1	PEN,
15	47129618	1	PEN,
16	47129617	1	PEN,
17	47129616	1	PLAAT,
18	47129615	1	PLAAT,
19	47129636	1	TREKHAAK, ASSY



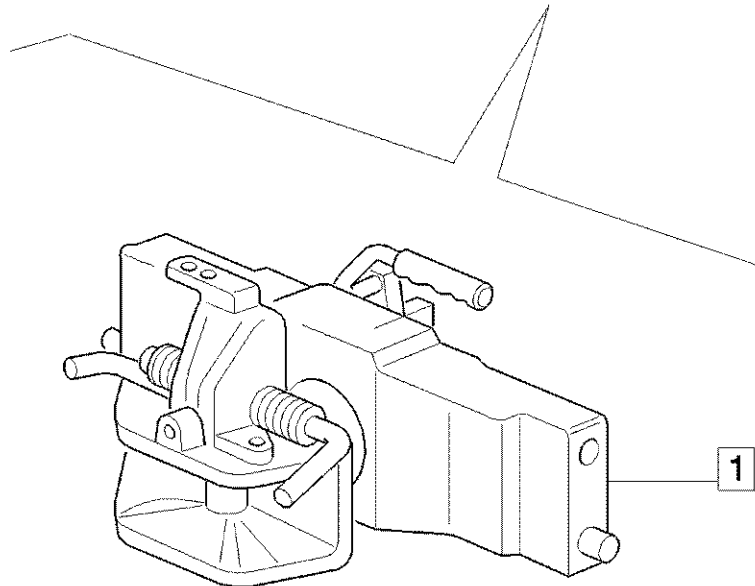
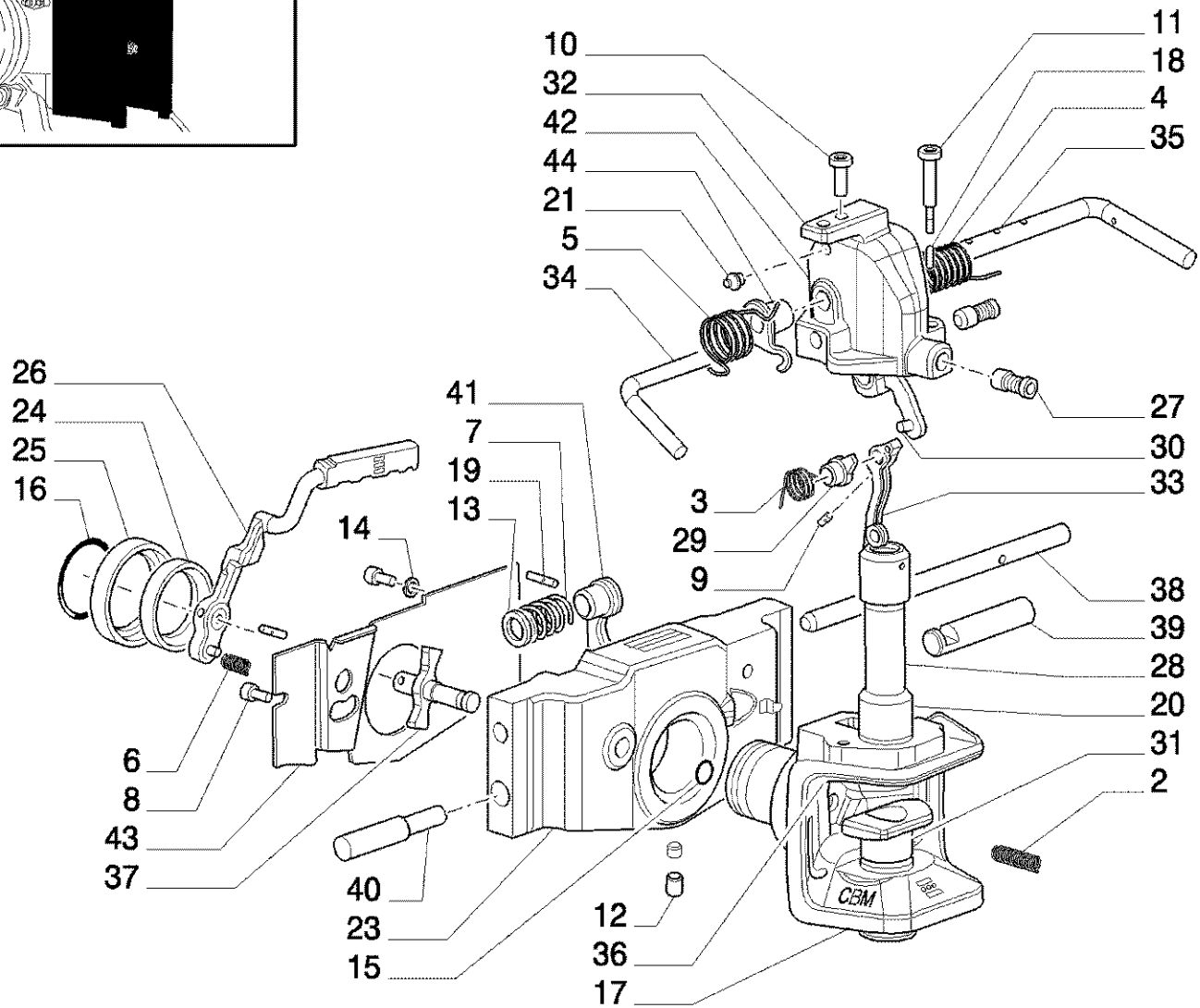
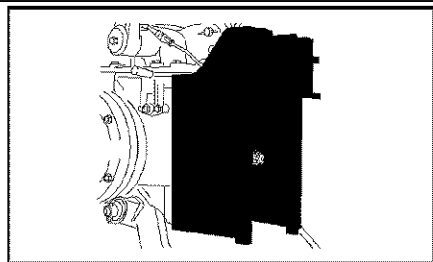
1.89.3/1A 1



Ref	Onderdeelnummer	Kwt	Beschrijving
1	47129854	1	HAAK, Assy
2	47129583	1	STEUN,
3	11391524	1	BOUT, Hex, M16 x 1.5 x 45, 8.8, Full Thd,

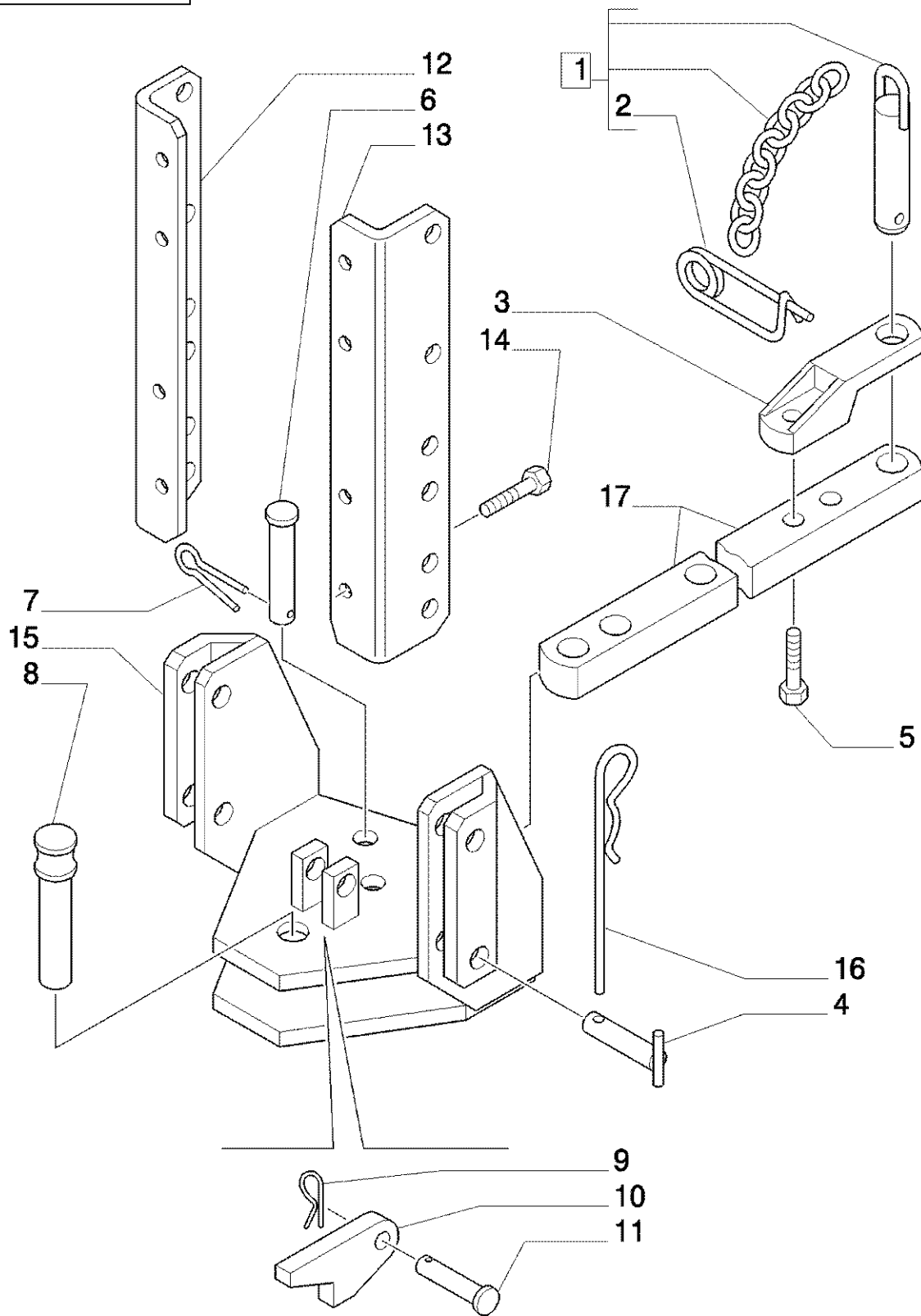
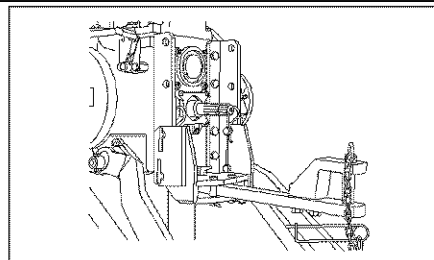


Ref	Onderdeelnummer	Kwt	Beschrijving
1	5197243	1	KNOP, BLACK, BSN HJE015639
1	5172813	1	KNOP, , ASN HJE015640
2	5180995	1	HEFBOOM, , BSN HJE015639
2	47136397	1	HEFBOOM, , ASN HJE015640
3	83957394	2	SPLITPEN,
4	81868749	2	PEN, 15/16"x19/32"
5	47129846	1	KABEL,
6	5179465	1	STEUNBEUGEL,
7	83904673	1	LAGERBUS,
8	83909861	1	SLUITRING, 1/2"
9	83415765	1	SPLITPEN, 1/8x .75
10	11193874	3	WASHER, SPRING, Belleville, M8.4, 8x16
11	16043124	3	BOUT, Hex, M8 x 14, 8.8, Full Thd,
12	89635806	1	RING, SNAP, 1/2" IDx1/32" THK



Ref	Onderdeelnummer	Kwt	Beschrijving
1	47129854	1	HAAK, Assy
2	47130019	1	VEER,
3	47130018	1	VEER,
4	47130017	1	VEER,
5	47130016	1	VEER,
6	47129632	1	VEER,
7	47129631	1	VEER,
8	14305221	2	SCHROEF, Hex Soc Hd, M6 x 16, 8.8,
9	13793070	1	KRACHTBRON, Hex Soc, M6 x 12, Cone Pt,
10	80120052	1	SCHROEF,
11	14420421	1	SCHROEF, Hex Soc Hd, M10 x 40, 8.8,
12	13790521	1	SCHROEF,
13	14496901	1	SLUITRING, M16 x 30 x 3,
14	5191173	1	VEERRING,
15	11066376	1	RING, SNAP, M15, Ext,
16	5191171	1	BORGVEER,
17	11068876	1	RING, SNAP, M40, Ext,
18	14164071	2	SPANSTIFT,
19	14604171	2	SLUITPEN, M6 x 30, Slotted,
20	47130020	1	LAGERBUS,
21	13407211	2	SMEERNIPPEL, M10 x 1,
23	47129623	1	GLIJPLAAT,
24	5191165	3	PAWL,
25	5191164	1	RING,
26	47130015	1	HEFBOOM,
27	47129870	2	PEN,
28	47129869	1	PEN,
29	47129868	1	HEFBOOM,
30	47130621	1	PLAAT, AFSCHERMING,
31	47129867	1	LAGERBUS,
32	47129866	1	STEUN,
33	47129865	1	HEFBOOM,
34	47129864	1	HEFBOOM,
35	47129863	1	HEFBOOM,
36	47129862	1	HAAK,
37	47129620	1	PEN,
38	47129619	1	PEN,
39	47129618	1	PEN, RH
40	47129617	1	PEN, LH
41	47129616	1	PLAAT,
42	14606874	2	SPANSTIFT,

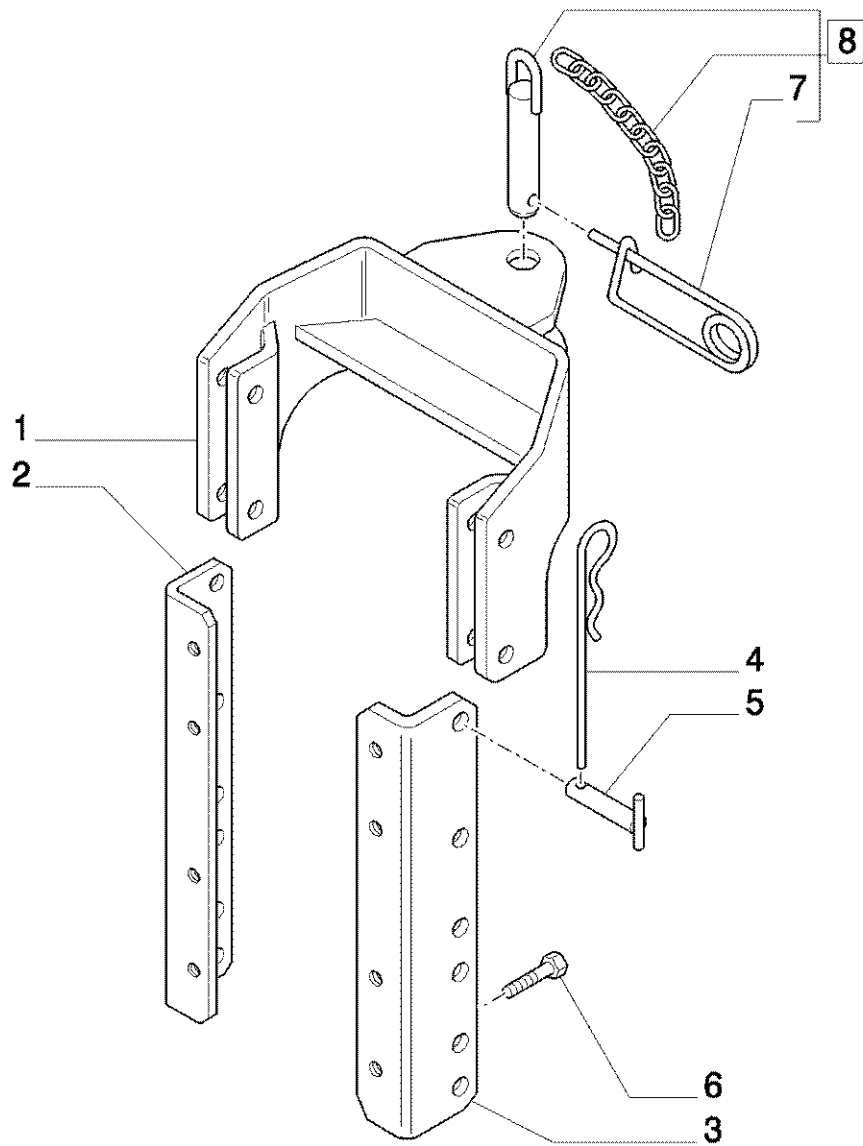
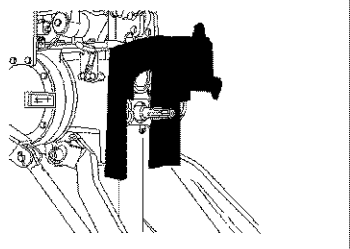
Ref	Onderdeelnummer	Kwt	Beschrijving
43	47130296	1	PLAAT,
44	47129860	1	HEFBOOM,



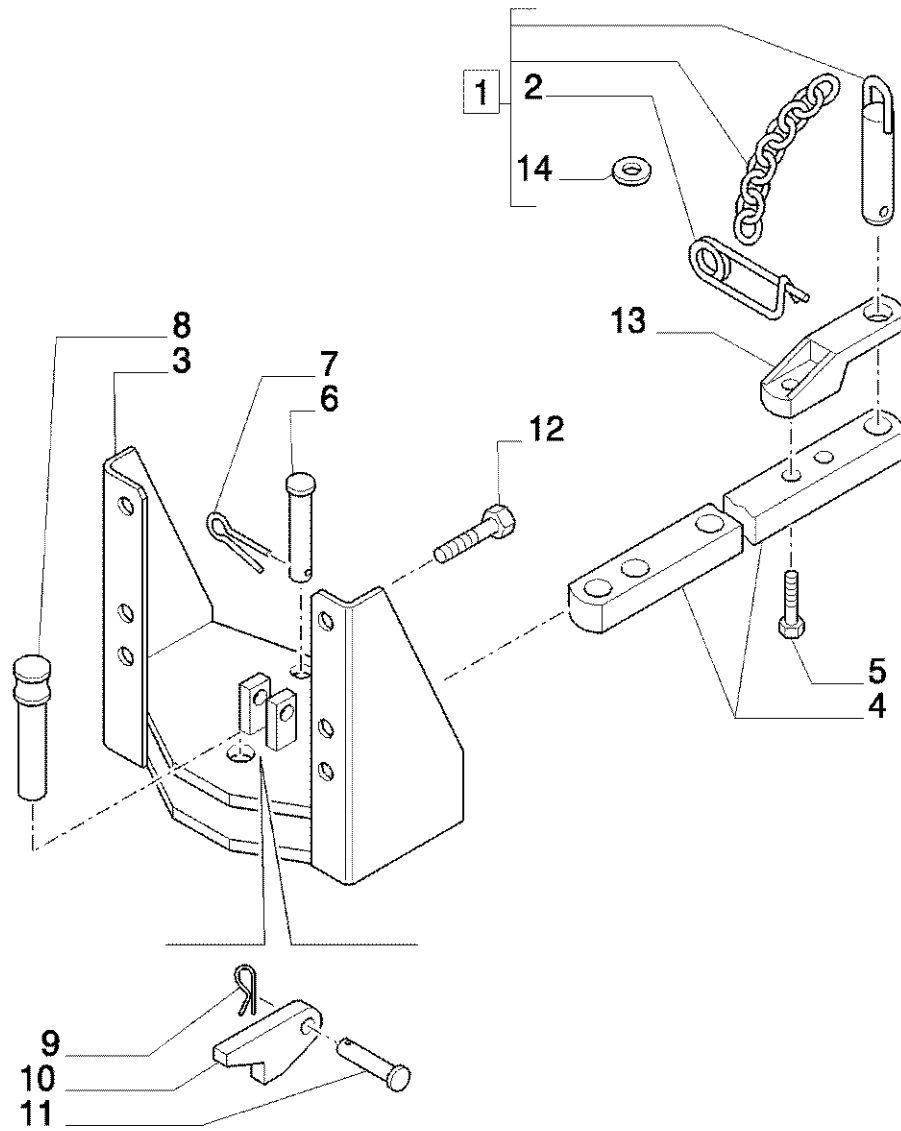
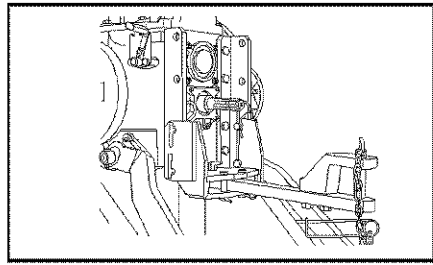
360 KOMPAKT TRACTOR (4/03-) - Opheffing / Vasthechting Werktuigen

1.89.3/02 (VAR.890) SUPPORT MET SLINGERBALK CATEGORIE "A" (DIAM.29)

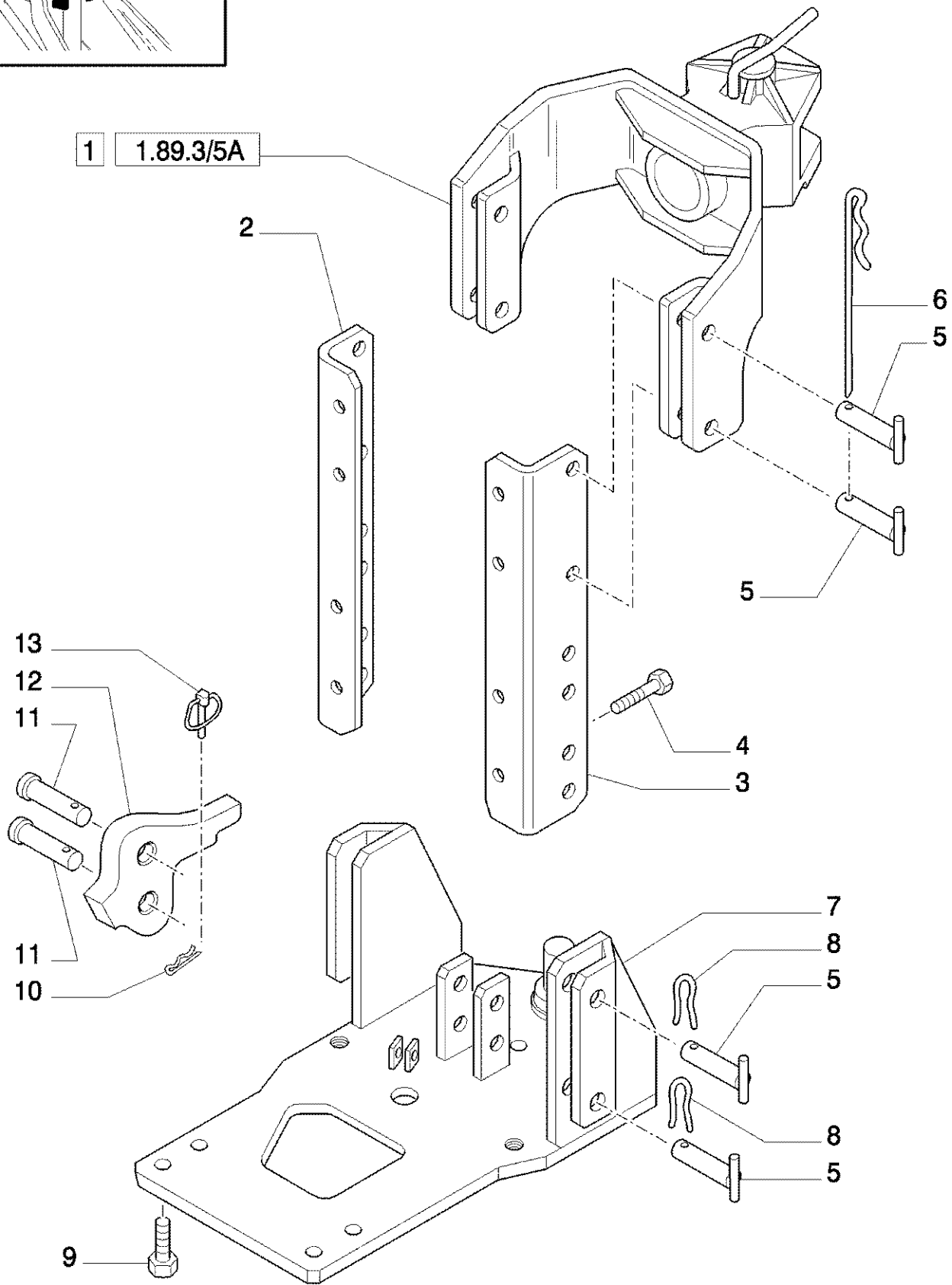
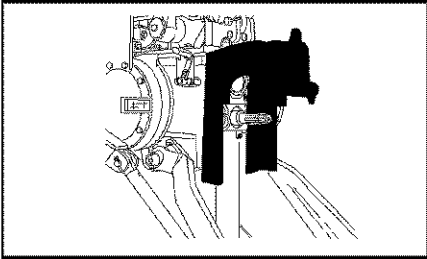
Ref	Onderdeelnummer	Kwt	Beschrijving
1	5162713	1	PIN, HITCH,
2	5152004	1	SLUITPEN,
3	5135330	1	UITEINDE,
4	5173020	4	PEN,
5	15984534	2	BOUT, Hex, M18 x 1.5 x 65, 10.9,
6	5176972	2	PEN, 71MM
7	5112606	2	SPLITPEN,
8	5176981	1	PEN,
9	10796401	1	SPLITPEN, M3.2 x 18,
10	5130621	1	HEFBOOM,
11	5130620	1	PEN,
12	5177114	1	STEUNBEUGEL, RH
13	5177113	1	STEUNBEUGEL, LH
14	11390524	8	BOUT, Hex, M16 x 1.5 x 40, 8.8, Full Thd,
15	5199262	1	DWARSBALK,
16	5173021	2	SPLITPEN,
17	5176971	1	TREKBOOM,



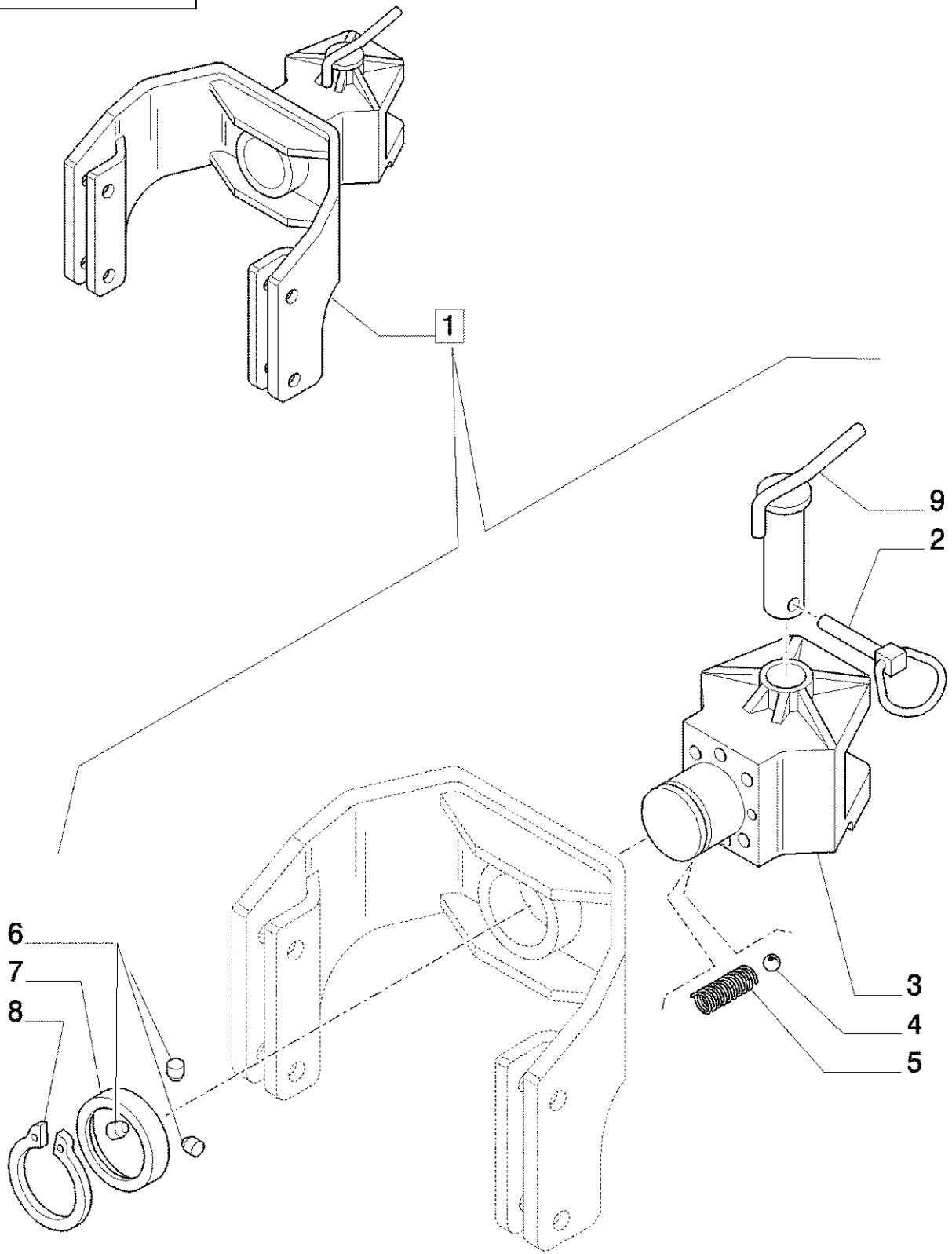
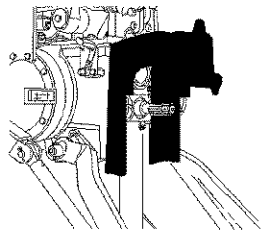
Ref	Onderdeelnummer	Kwt	Beschrijving
1	5173022	1	TREKHAAK, ASSY
2	5177114	1	STEUNBEUGEL, RH
3	5177113	1	STEUNBEUGEL, LH
4	5173021	2	SPLITPEN,
5	5173020	4	PEN,
6	11390524	8	BOUT, Hex, M16 x 1.5 x 40, 8.8, Full Thd,
7	5152004	1	SLUITPEN,
8	5162712	1	PEN,



Ref	Onderdeelnummer	Kwt	Beschrijving
1	5163732	1	PIN, HITCH, D=33MM,ASSY
2	5152004	1	SLUITPEN,
3	5179632	1	STEUN,
4	5177291	1	TREKBOOM, D=33MM
5	15984534	2	BOUT, Hex, M18 x 1.5 x 65, 10.9,
6	5176972	2	PEN, 71MM
7	5112606	2	SPLITPEN,
8	5176981	1	PEN,
9	10796401	1	SPLITPEN, M3.2 x 18,
10	5130621	1	HEFBOOM,
11	5130620	1	PEN,
12	11376221	6	BOUT, Hex, M16 x 1.5 x 35, 8.8, Full Thd,
13	5151269	1	UITEINDE, D=33MM
14	44901192	1	KLEM,



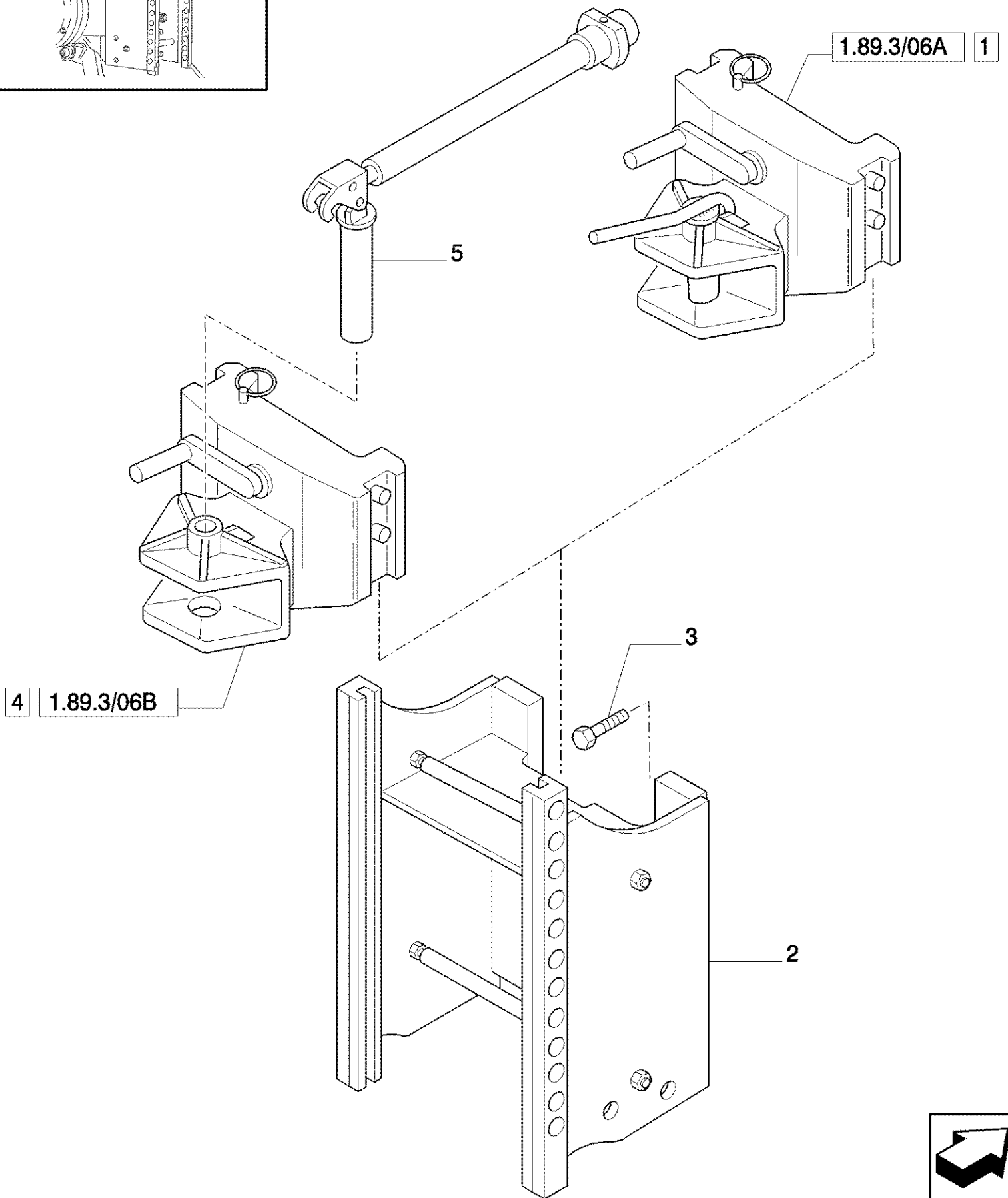
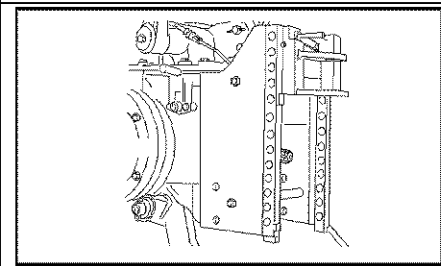
Ref	Onderdeelnummer	Kwt	Beschrijving
1	5174813	1	TREKHAAK, ASSY
2	5177114	1	STEUNBEUGEL, RH
3	5177113	1	STEUNBEUGEL, LH
4	11390524	8	BOUT, Hex, M16 x 1.5 x 40, 8.8, Full Thd,
5	5173020	8	PEN,
6	5173021	2	SPLITPEN,
7	5180712	1	TREKHAAK,
8	5112606	4	SPLITPEN,
9	11391524	4	BOUT, Hex, M16 x 1.5 x 45, 8.8, Full Thd,
10	10798401	1	SPLITPEN, M6.3 x 40,
11	5180806	2	PEN,
12	5180801	1	HEFBOOM,
13	44903774	1	SLUITPEN,



360 KOMPAKT TRACTOR (4/03-) - Opheffing / Vasthechting Werktuigen

1.89.3/05A (VAR.893) SUPPORT DRAAIBARE HAAK MET STIFTEN (PITON)

Ref	Onderdeelnummer	Kwt	Beschrijving
1	5174813	1	TREKHAAK, ASSY
2	5191168	1	PEN,
3	9970358	1	TREKHAAK,
4	5191170	1	KOGEL,
5	5191178	1	VEER,
6	5191165	1	PAWL,
7	5191164	1	RING,
8	5191171	1	BORGVEER,
9	5191180	1	PEN,

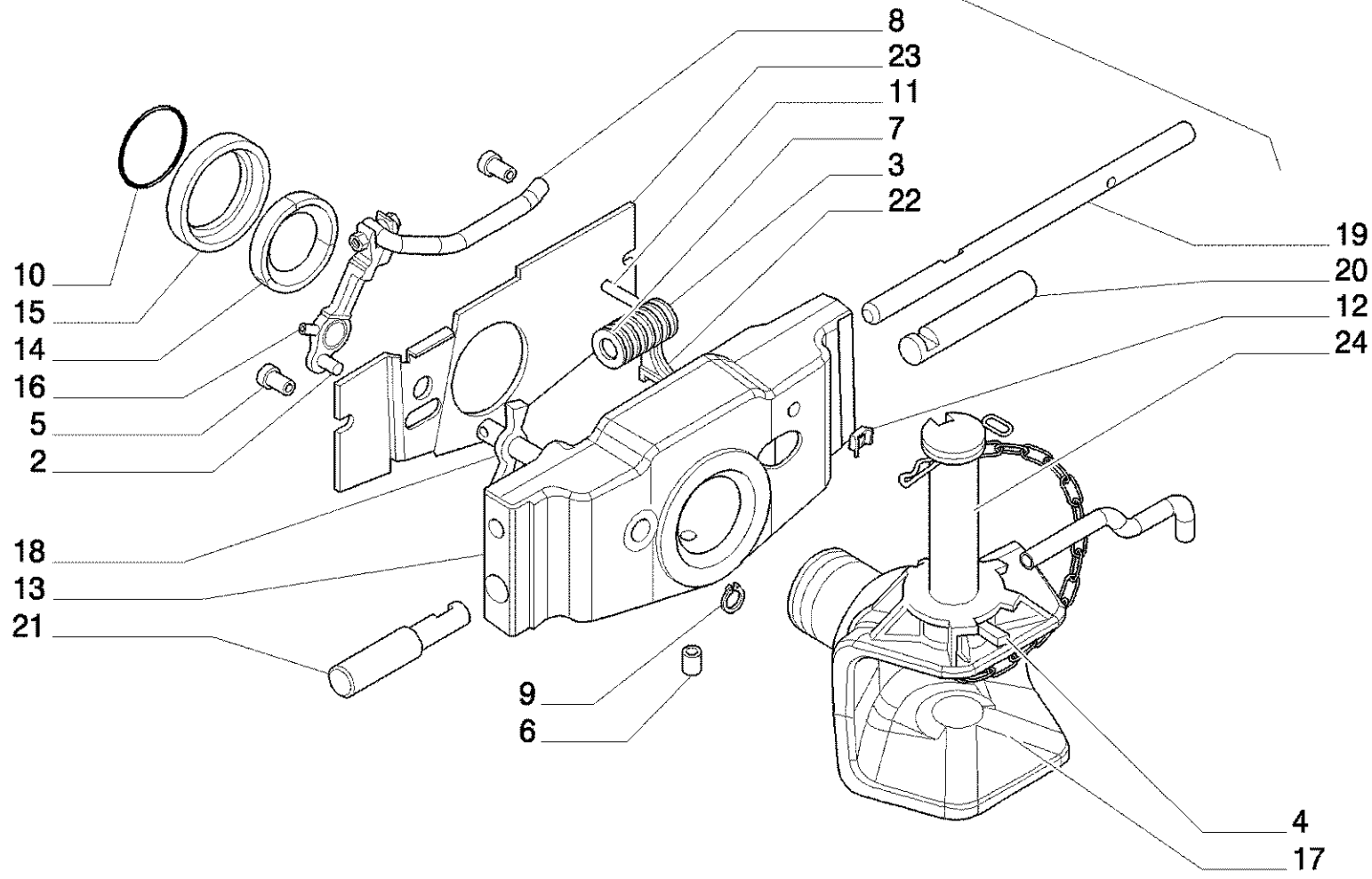
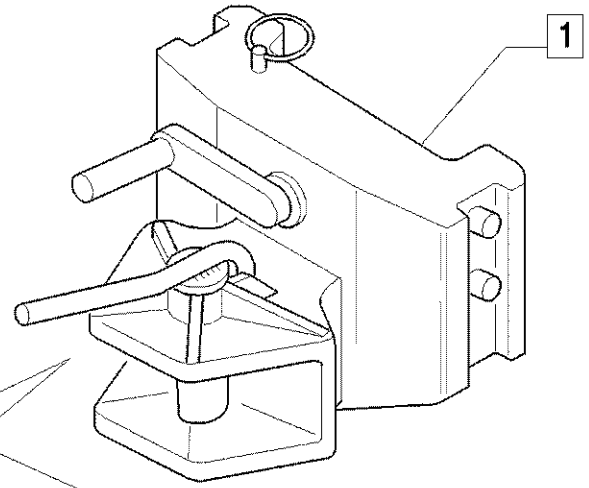
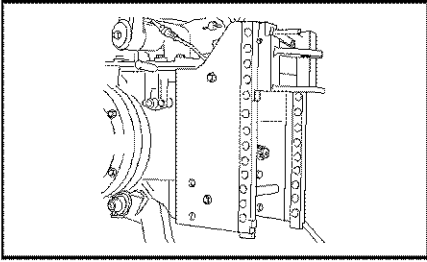


360 KOMPAKT TRACTOR (4/03-) - Opheffing / Vasthechting Werktuigen

1.89.3/06(01) (VAR.897) SUPPORT DRAAIBARE HAAK EEG OP GLIJBLOK

Ref	Onderdeelnummer	Kwt	Beschrijving
1	47129614	1	TREKHAAK, ASSY, BSN HJH039204
2	47129583	1	STEUN,
3	11390524	8	BOUT, Hex, M16 x 1.5 x 40, 8.8, Full Thd,
4	87334070	1	HAAK, , ASN HJH039205
5	47128463	1	PEN, , ASN HJH039205

D5128 Serial N.HJH039205

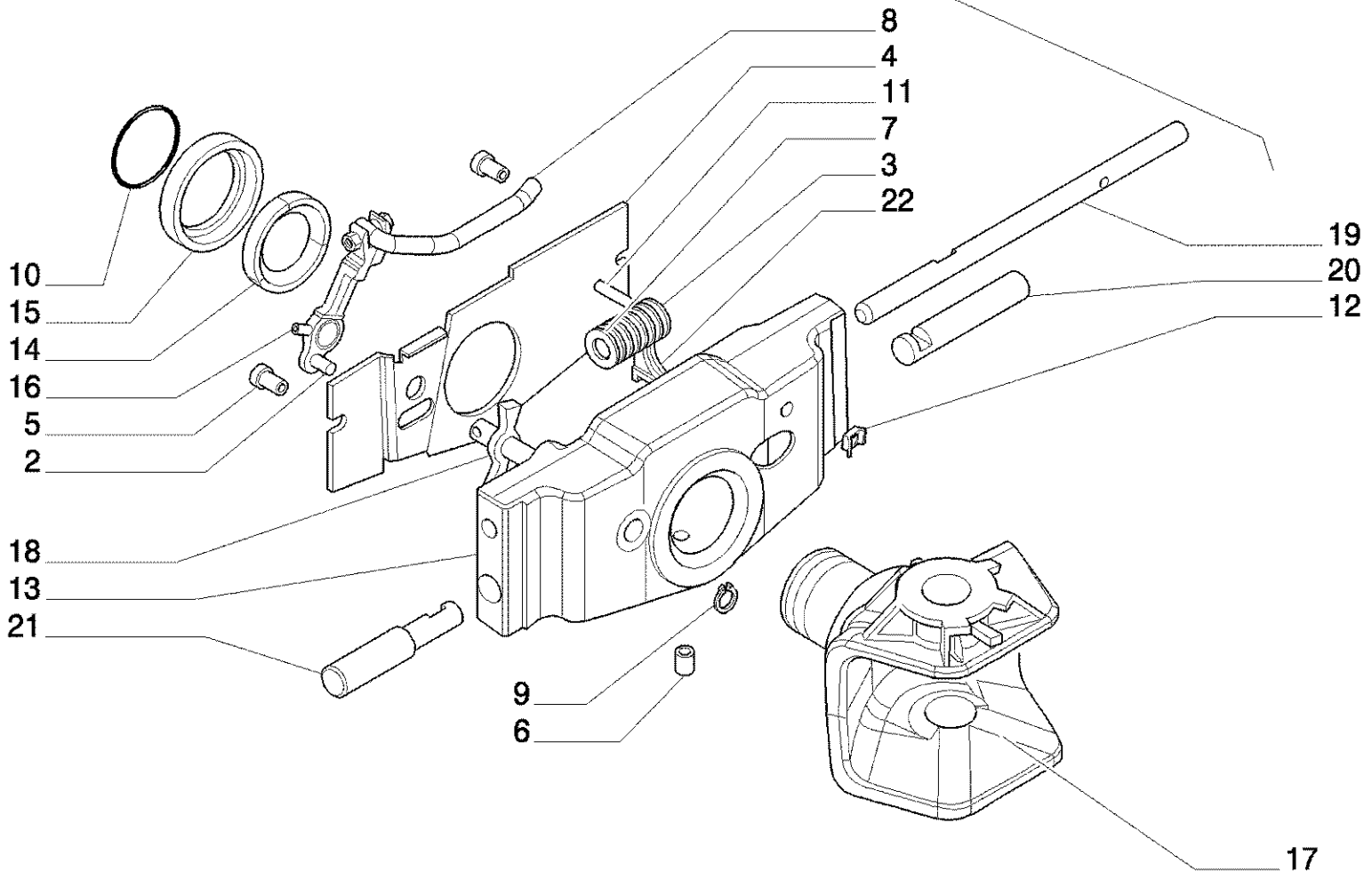
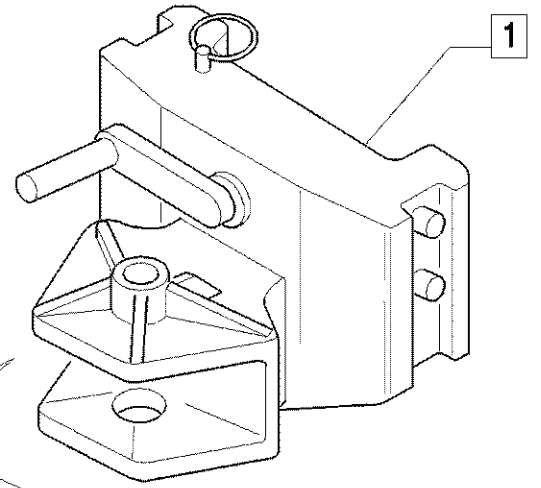
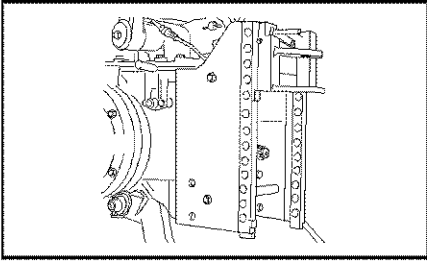


360 KOMPAKT TRACTOR (4/03-) - Opheffing / Vasthechting Werktuigen

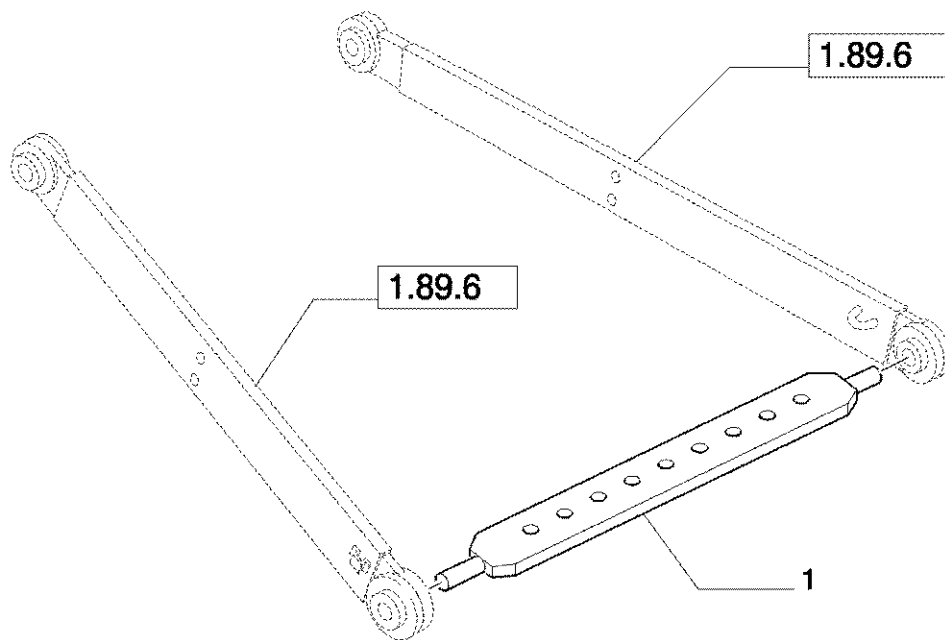
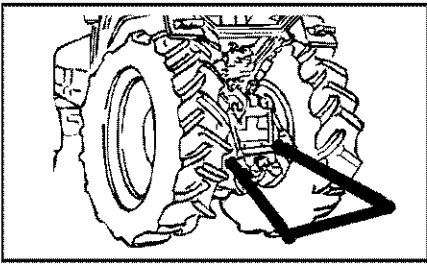
1.89.3/06A(01) (VAR.897) SUPPORT DRAAIBARE HAAK EEG OP GLIJBLOK

Ref	Onderdeelnummer	Kwt	Beschrijving
1	47129614	1	TREKHAAK, ASSY
2	47129632	1	VEER,
3	47129631	1	VEER,
4	5191182	1	SPANSTIFT,
5	14306221	2	SCHROEF, Hex Soc Hd, M8 x 16, 8.8,
6	13790521	1	SCHROEF,
7	14496901	1	SLUITRING, M16 x 30 x 3,
8	5191173	1	VEERING,
9	11066376	1	RING, SNAP, M15, Ext,
10	5191171	1	BORGVEER,
11	14604171	2	SLUITPEN, M6 x 30, Slotted,
12	13407211	1	SMEERNIPPEL, M10 x 1,
13	47129623	1	GLIJPLAAT,
14	5191165	3	PAWL,
15	5191164	1	RING,
16	47129622	1	HEFBOOM,
17	47129621	1	HAAK,
18	47129620	1	PEN,
19	47129619	1	PEN,
20	47129618	1	PEN,
21	47129617	1	PEN,
22	47129616	1	PLAAT,
23	47130296	1	PLAAT,
24	5191180	1	PEN,

1.89.3/06B SUPPORT DRAAIBARE HAAK EEG OP GLIJBLOK



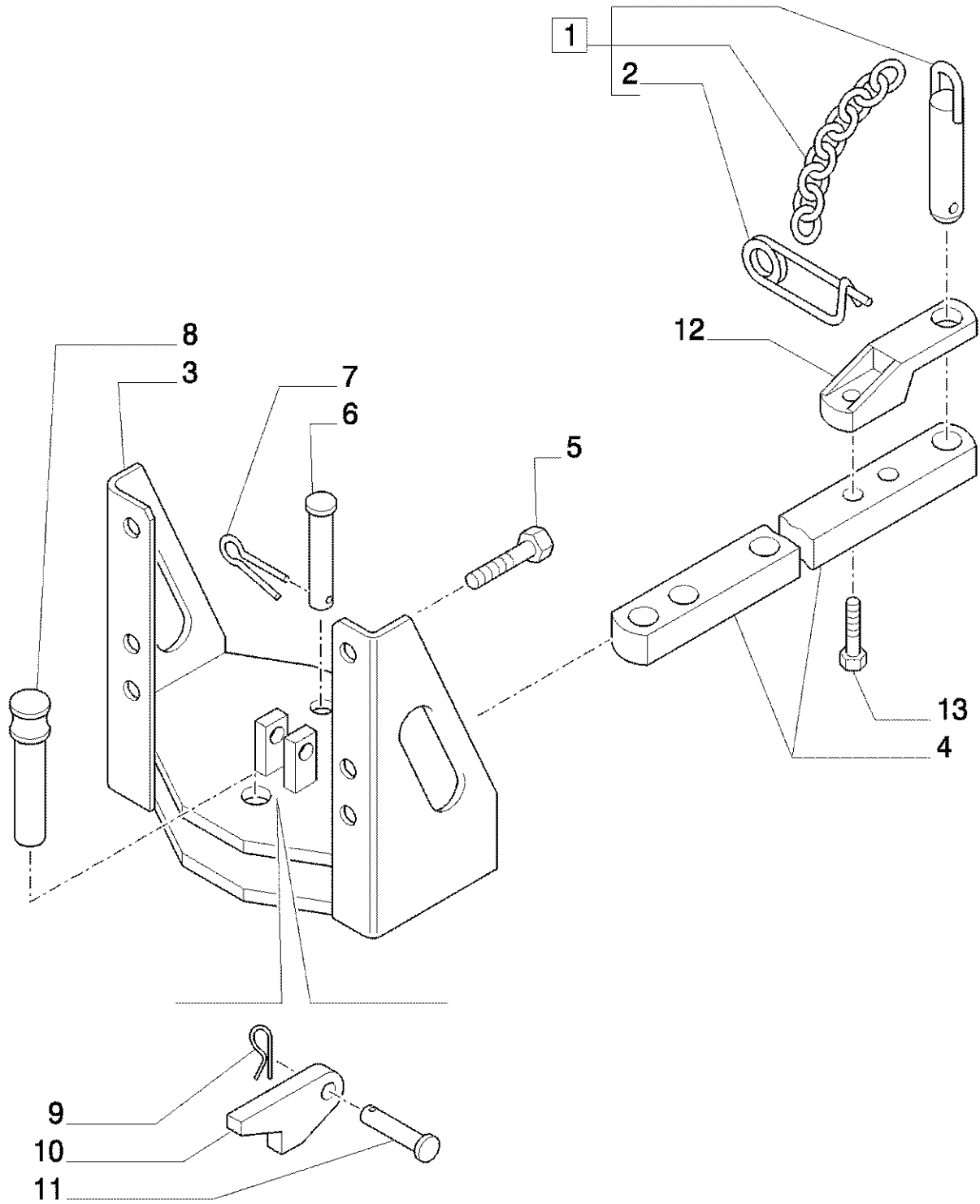
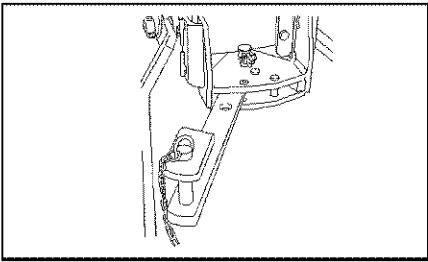
Ref	Onderdeelnummer	Kwt	Beschrijving
1	87334070	1	HAAK, ASSY
2	47129632	1	VEER,
3	47129631	1	VEER,
4	47130296	1	PLAAT,
5	14306221	2	SCHROEF, Hex Soc Hd, M8 x 16, 8.8,
6	13790521	1	SCHROEF,
7	14496901	1	SLUITRING, M16 x 30 x 3,
8	5191173	1	VEERRING,
9	11066376	1	RING, SNAP, M15, Ext,
10	5191171	1	BORGVEER,
11	14604171	2	SLUITPEN, M6 x 30, Slotted,
12	13407211	1	SMEERNIPPEL, M10 x 1,
13	47129623	1	GLIJPLAAT,
14	5191165	3	PAWL,
15	5191164	1	RING,
16	47129622	1	HEFBOOM,
17	47129621	1	HAAK,
18	47129620	1	PEN, Handle
19	47129619	1	PEN, Upper
20	47129618	1	PEN, RH Lower
21	47129617	1	PEN, LH Lower
22	47129616	1	PLAAT,



360 KOMPAKT TRACTOR (4/03-) - Opheffing / Vasthechting Werktuigen

1.89.3/07 (VAR.899) INRICHTING BEVESTIGING GEREEDSCHAP - HIJSARMEN EN SCHUINE BALK

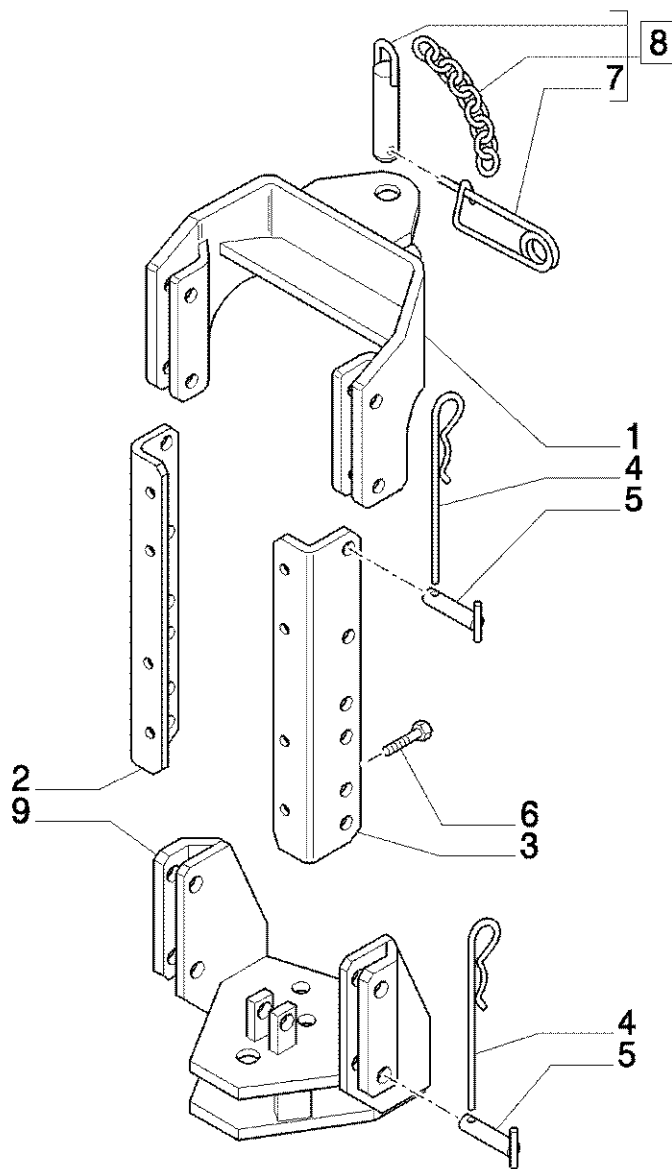
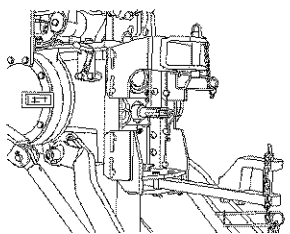
Ref	Onderdeelnummer	Kwt	Beschrijving
1	595441	1	DWARSBALK,



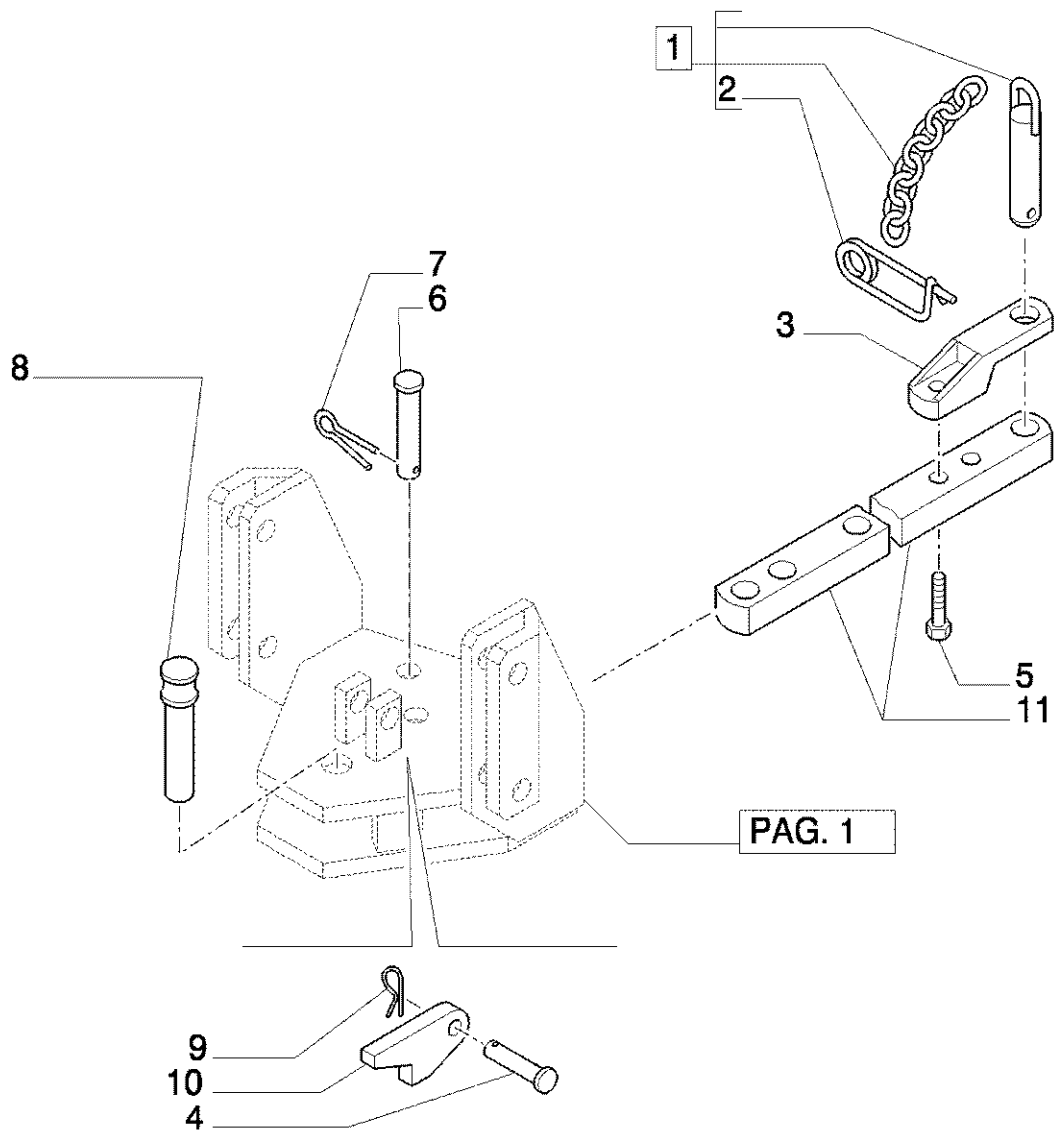
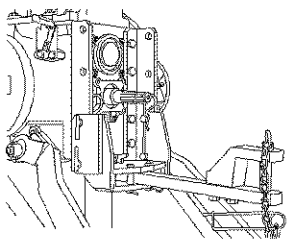
360 KOMPAKT TRACTOR (4/03-) - Opheffing / Vasthechting Werktuigen

1.89.3/08 (VAR.896-905) TREKBALK CATEGORIE "A" 33 MM.

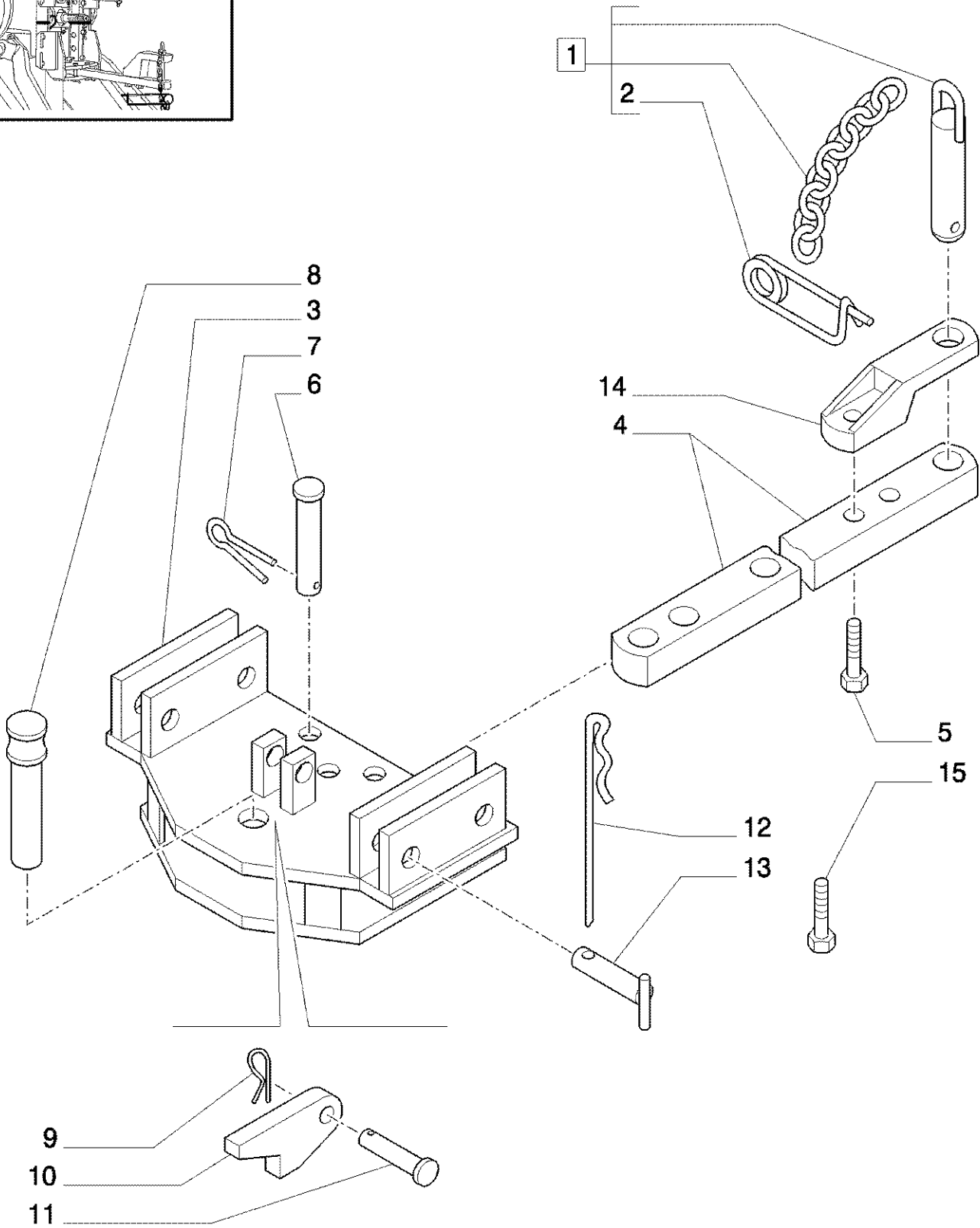
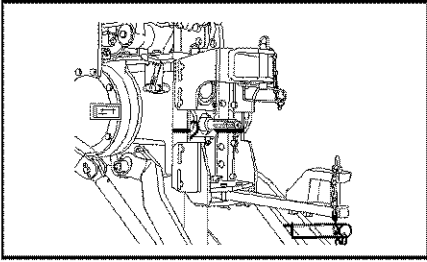
Ref	Onderdeelnummer	Kwt	Beschrijving
1	5163732	1	PIN, HITCH, D=33MM ASSY
2	5152004	1	SLUITPEN,
3	5186876	1	STEUN,
4	47123842	1	TREKBOOM, D=33MM
5	11376224	6	BOUT, Hex, M16 x 1.5 x 35, 8.8, Full Thd,
6	5187029	2	PEN, 81MM
7	5112606	2	SPLITPEN,
8	5186858	1	PEN,
9	10796404	1	SPLITPEN, M3.2 x 18,
10	5130621	1	HEFBOOM,
11	5130620	1	PEN,
12	5151269	1	UITEINDE, D=33MM (VAR.896)
13	15984731	2	BOUT, Hex, M18 x 1.5 x 75, 10.9, (VAR.896)



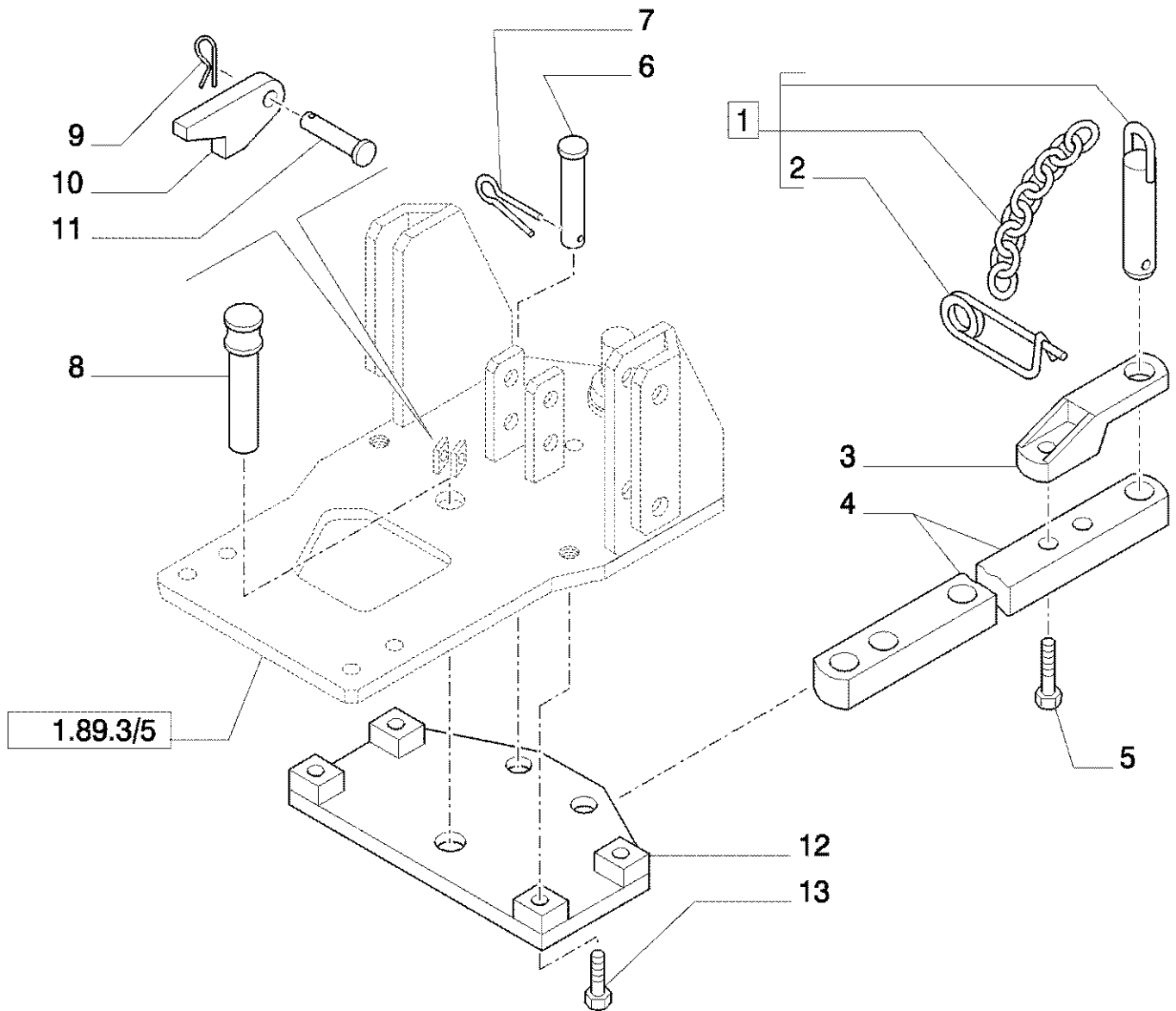
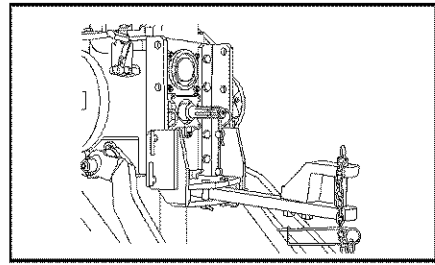
Ref	Onderdeelnummer	Kwt	Beschrijving
1	5173022	1	TREKHAAK, ASSY
2	5177114	1	STEUNBEUGEL, RH
3	5177113	1	STEUNBEUGEL, LH
4	5173021	4	SPLITPEN,
5	5173020	8	PEN,
6	11390524	8	BOUT, Hex, M16 x 1.5 x 40, 8.8, Full Thd,
7	5152004	1	SLUITPEN,
8	5162712	1	PEN,
9	5199262	1	DWARSBALK,



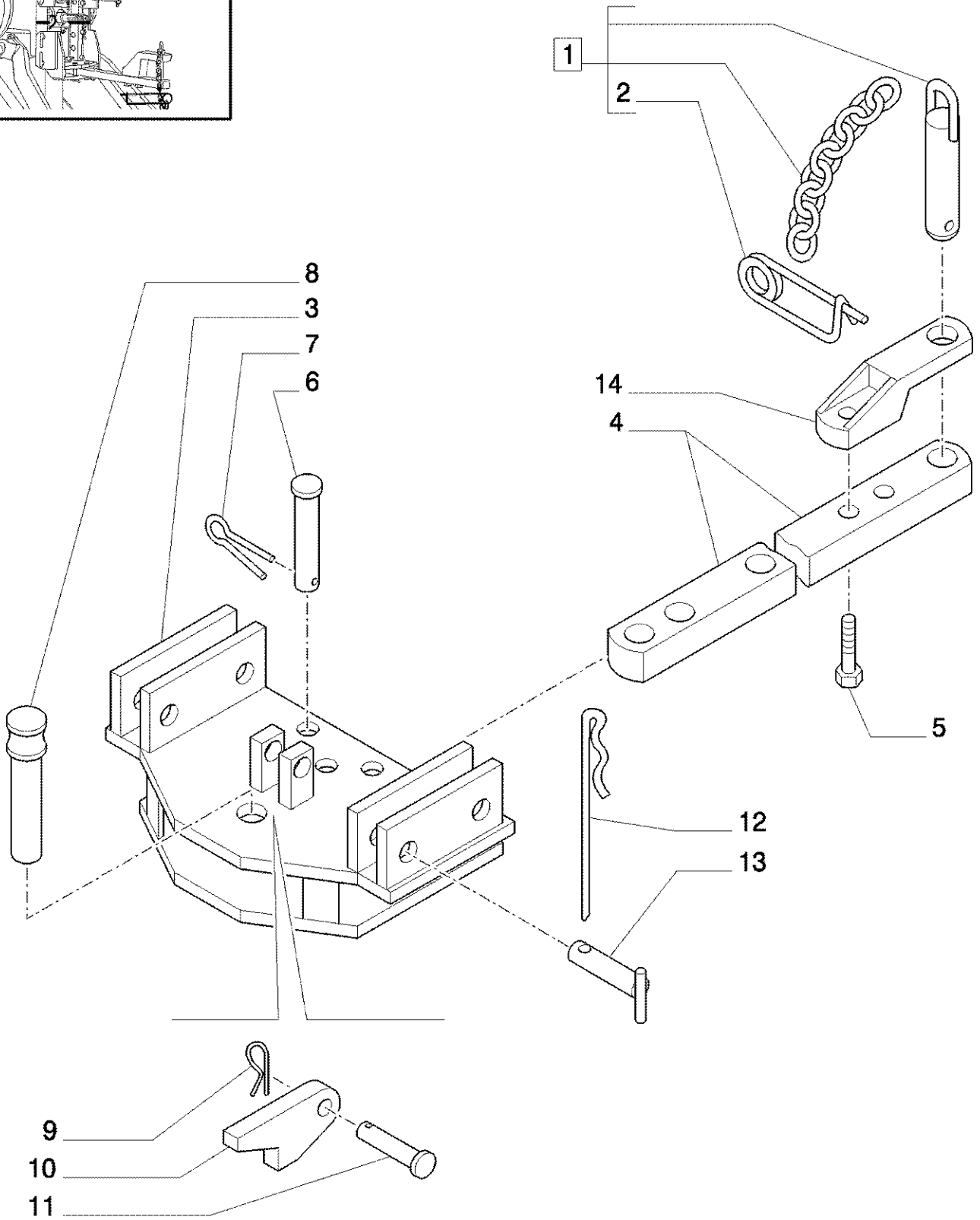
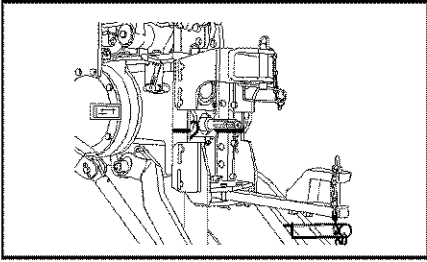
Ref	Onderdeelnummer	Kwt	Beschrijving
1	5162713	1	PIN, HITCH, D=29MM
2	5152004	1	SLUITPEN,
3	5135330	1	UITEINDE, D=29MM
4	5130620	1	PEN,
5	15984534	2	BOUT, Hex, M18 x 1.5 x 65, 10.9,
6	5176972	2	PEN, 71MM
7	5112606	2	SPLITPEN,
8	5176981	1	PEN,
9	10796401	1	SPLITPEN, M3.2 x 18,
10	5130621	1	HEFBOOM,
11	5176971	1	TREKBOOM, D=29MM



Ref	Onderdeelnummer	Kwt	Beschrijving
1	5163732	1	PIN, HITCH,
2	5152004	1	SLUITPEN,
3	47129599	1	STEUN,
4	5177291	1	TREKBOOM,
5	15984534	2	BOUT, Hex, M18 x 1.5 x 65, 10.9,
6	5176972	2	PEN,
7	5112606	1	SPLITPEN,
8	5176981	1	PEN,
9	10796401	1	SPLITPEN, M3.2 x 18,
10	5130621	1	HEFBOOM,
11	5130620	1	PEN,
12	5188411	2	SPLITPEN,
13	47130503	4	PEN,
14	5151269	1	UITEINDE,
15	11376224	4	BOUT, Hex, M16 x 1.5 x 35, 8.8, Full Thd,



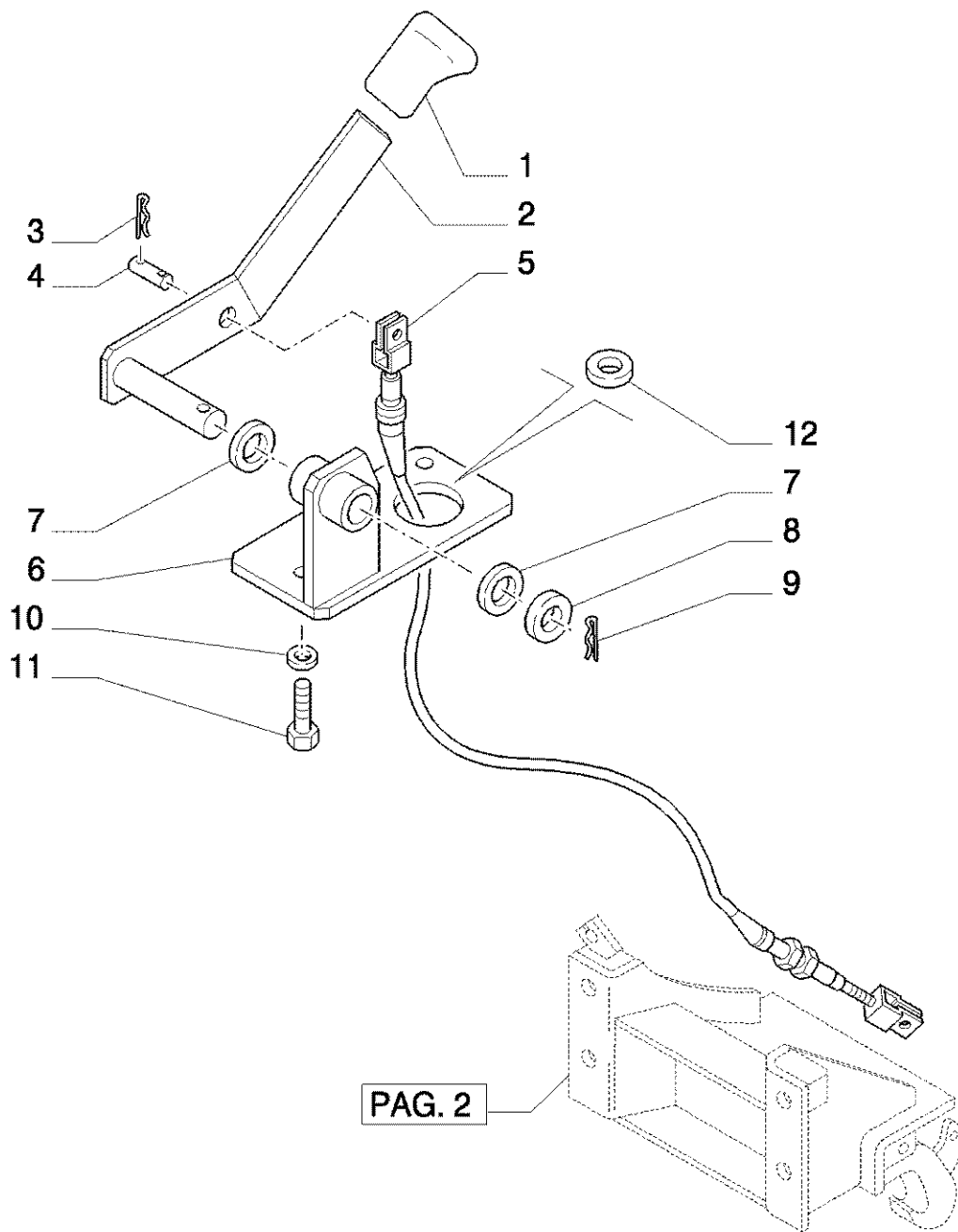
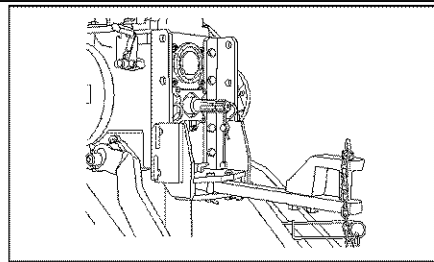
Ref	Onderdeelnummer	Kwt	Beschrijving
1	5163732	1	PIN, HITCH, D=33MM ASSY
2	5152004	1	SLUITPEN,
3	5151269	1	UITEINDE, D=33MM
4	5177291	1	TREKBOOM, D=33MM
5	15984534	2	BOUT, Hex, M18 x 1.5 x 65, 10.9,
6	5176972	2	PEN, 71MM
7	5112606	1	SPLITPEN,
8	5176981	1	PEN,
9	10796404	1	SPLITPEN, M3.2 x 18,
10	5130621	1	HEFBOOM,
11	5130620	1	PEN,
12	5180796	1	STEUNBEUGEL,
13	15981224	4	BOUT, Hex, M16 x 1.5 x 65, 8.8,



360 KOMPAKT TRACTOR (4/03-) - Opheffing / Vasthechting Werktuigen

1.89.3/12 (VAR.913) TREKSTANG 29 MM - DELEN COMPONENTEN

Ref	Onderdeelnummer	Kwt	Beschrijving
1	5162713	1	PIN, HITCH, D=29MM ASSY
2	5152004	1	SLUITPEN,
3	47129599	1	STEUN,
4	5176971	1	TREKBOOM, D=29MM
5	15984534	2	BOUT, Hex, M18 x 1.5 x 65, 10.9,
6	5176972	2	PEN, 71MM
7	5112606	1	SPLITPEN,
8	5176981	1	PEN,
9	10796404	1	SPLITPEN, M3.2 x 18,
10	5130621	1	HEFBOOM,
11	5130620	1	PEN,
12	5188411	1	SPLITPEN,
13	47130503	4	PEN,
14	5135330	1	UITEINDE, D=29MM

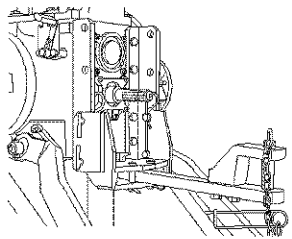


360 KOMPAKT TRACTOR (4/03-) - Opheffing / Vasthechting Werktuigen

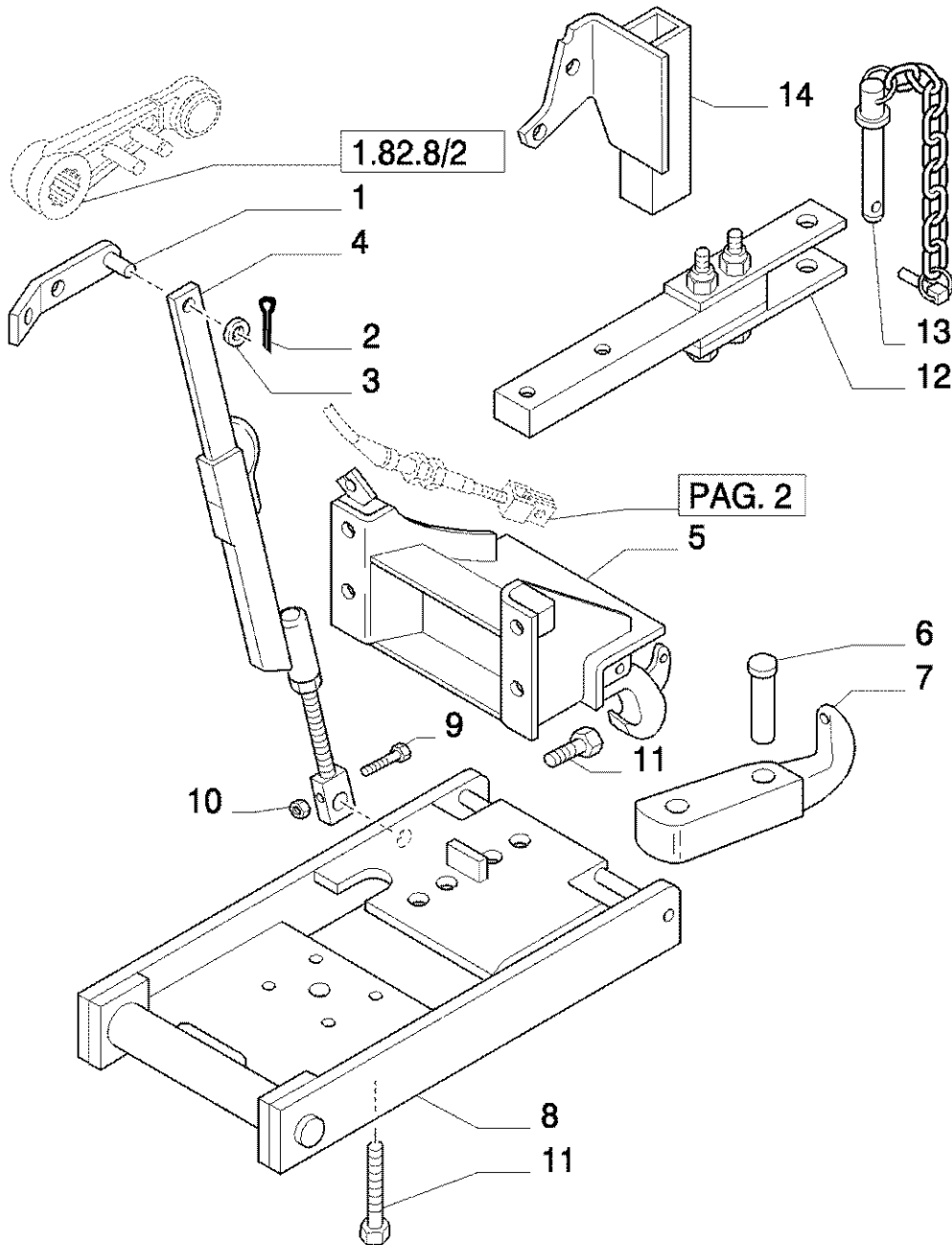
1.89.3/13(01) (VAR.929) PICK UP HITCH EN TREKSTANG - BEUGEL EN HENDEL

Ref	Onderdeelnummer	Kwt	Beschrijving
1	5197243	1	KNOP, , BSN HJE015639
1	5172813	1	KNOP, , ASN HJE015640
2	5180995	1	HEFBOOM, 6,3X32, BSN HJE015639
2	47136397	1	HEFBOOM, , ASN HJE015640
3	83957394	2	SPLITPEN, 20X32
4	81868749	2	PEN, ASSY
5	5181515	1	KABEL, ASSY
6	5179465	1	STEUNBEUGEL,
7	83904673	1	LAGERBUS,
8	83909861	1	SLUITRING, ASSY
9	83415765	1	SPLITPEN, M6X50
10	10571774	3	SLUITRING, M6
11	16043124	3	BOUT, Hex, M8 x 14, 8.8, Full Thd, M16X35
12	89635806	1	RING, SNAP, M16X60

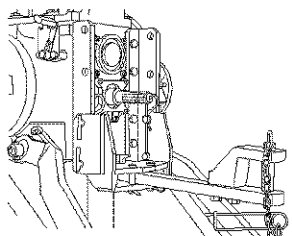
D4988 Serial N.HJE015640



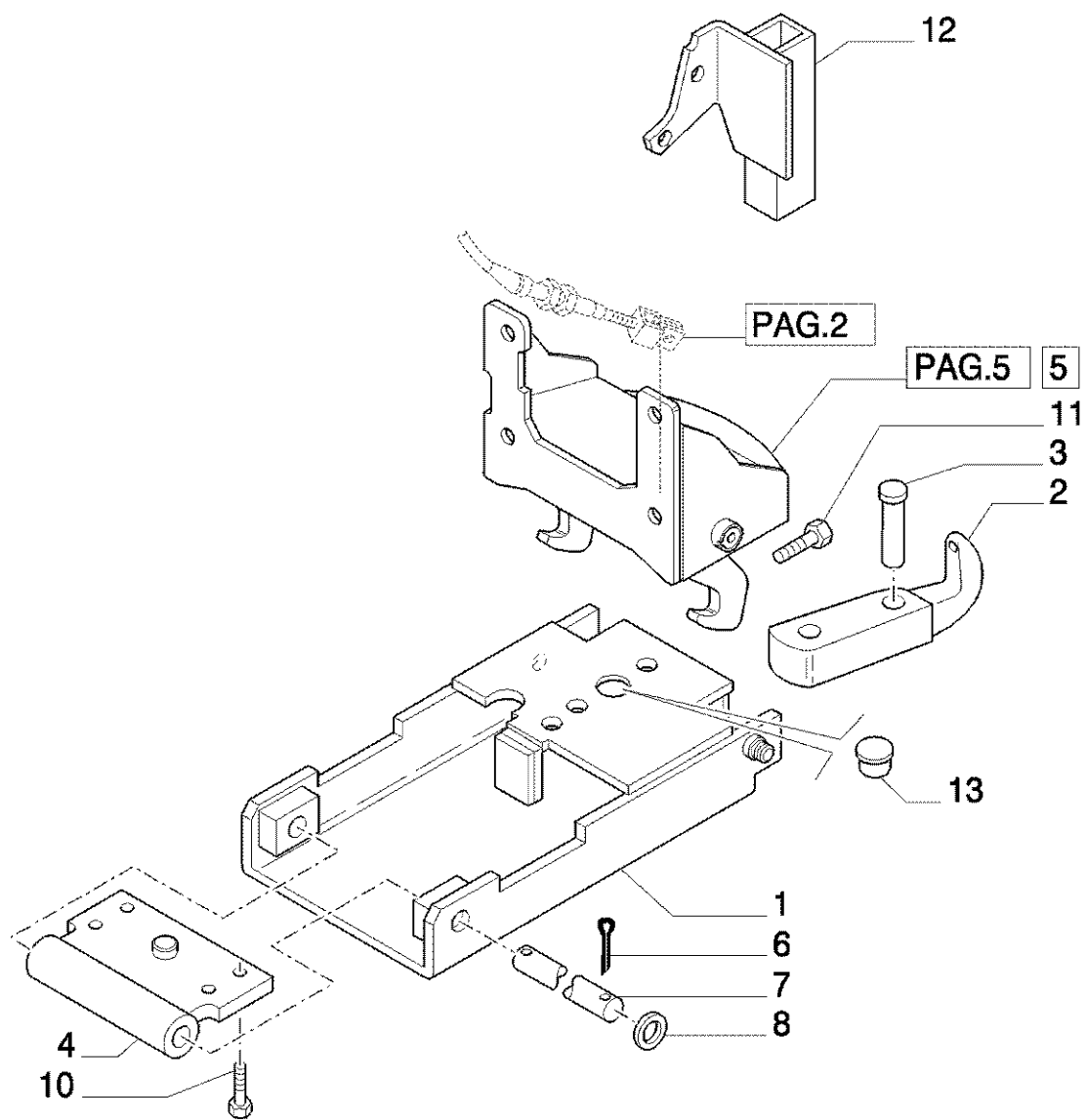
TRIMA



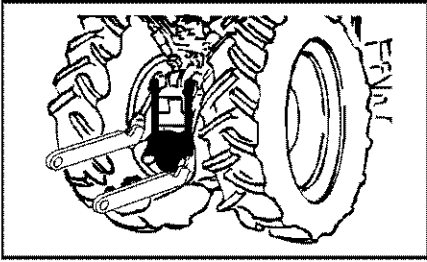
Ref	Onderdeelnummer	Kwt	Beschrijving
1	5183434	2	STEUNBEUGEL, ASSY
2	10798201	2	SPLITPEN, M6.3 x 32, RH
3	14497101	2	SLUITRING, M20 x 37 x 3, LH
4	5183431	2	TREKSTANG,
5	5183430	1	HAAK,
6	5183433	2	PEN, M16X40
7	5183432	1	HAAK,
8	5183429	1	STEUN,
9	10354521	2	SCHROEF,
10	12574211	2	NUT, LOCK, M6 x 1, CI 8,
11	11376224	6	BOUT, Hex, M16 x 1.5 x 35, 8.8, Full Thd,
11	15981134	2	BOUT, Hex, M16 x 1.5 x 60, 10.9,
12	5183435	1	TREKBOOM,
13	5183686	1	PEN,
14	5181527	1	STEUNBEUGEL,



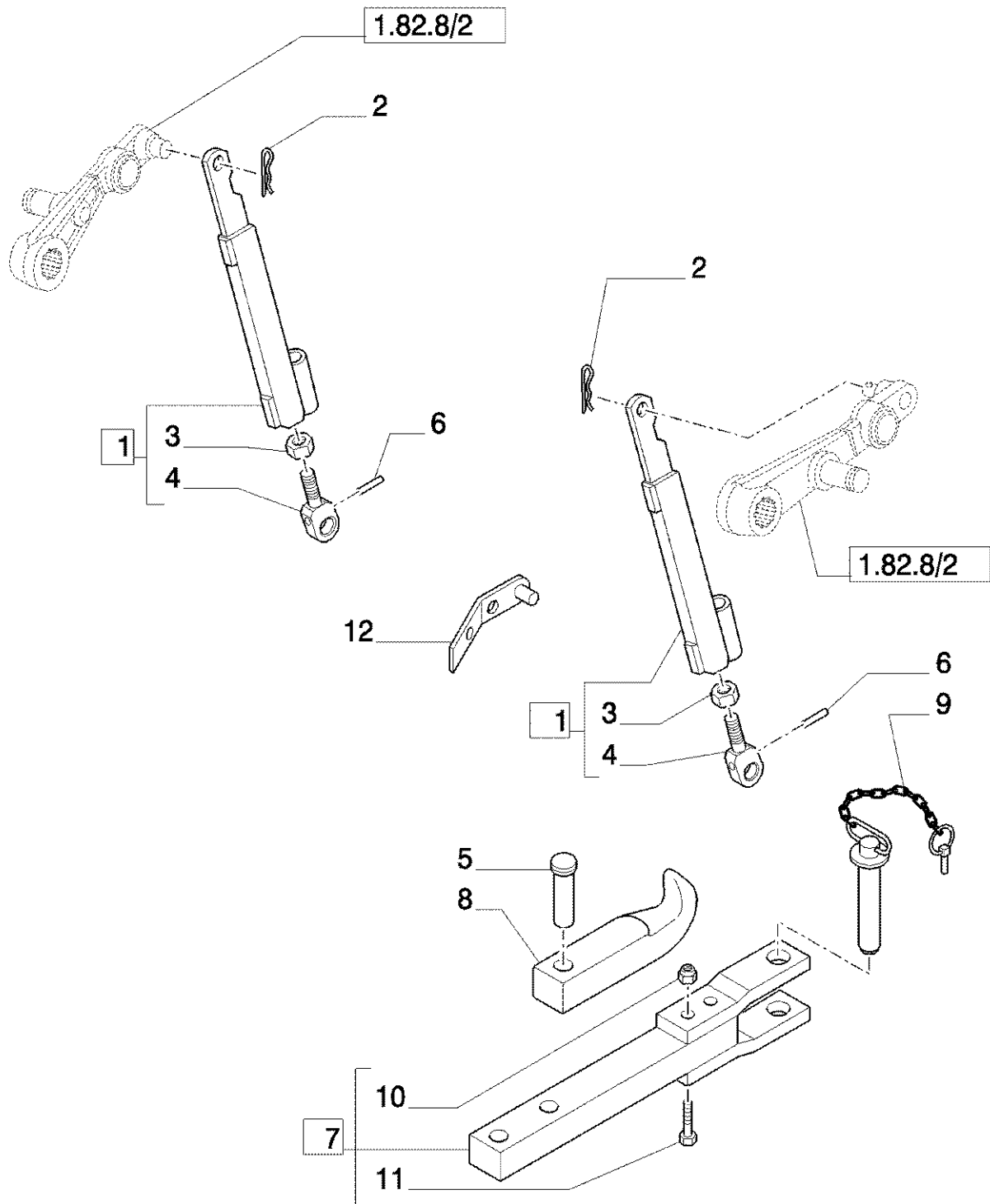
SAUERMANN



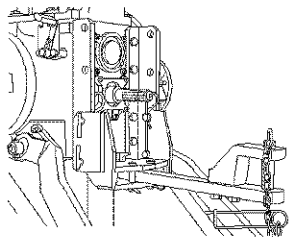
Ref	Onderdeelnummer	Kwt	Beschrijving
1	82018194	2	STEUN,
2	82018052	2	HAAK,
3	82018046	2	PEN, 20X32
4	82018196	2	PLAAT,
5	82018189	1	STEUN,
6	81868739	2	SPLITPEN,
7	82018252	1	PEN,
8	81863620	1	SLUITRING,
9	14168970	2	SLUITPEN, M6 x 50, Slotted,
10	11391534	4	BOUT, Hex, M16 x 1.5 x 45, 10.9, Full Thd,
11	11376234	4	BOUT, Hex, M16 x 1.5 x 35, 10.9, Full Thd,
12	82018198	1	STEUNBEUGEL,
13	82006638	1	KABELDOORGANG,



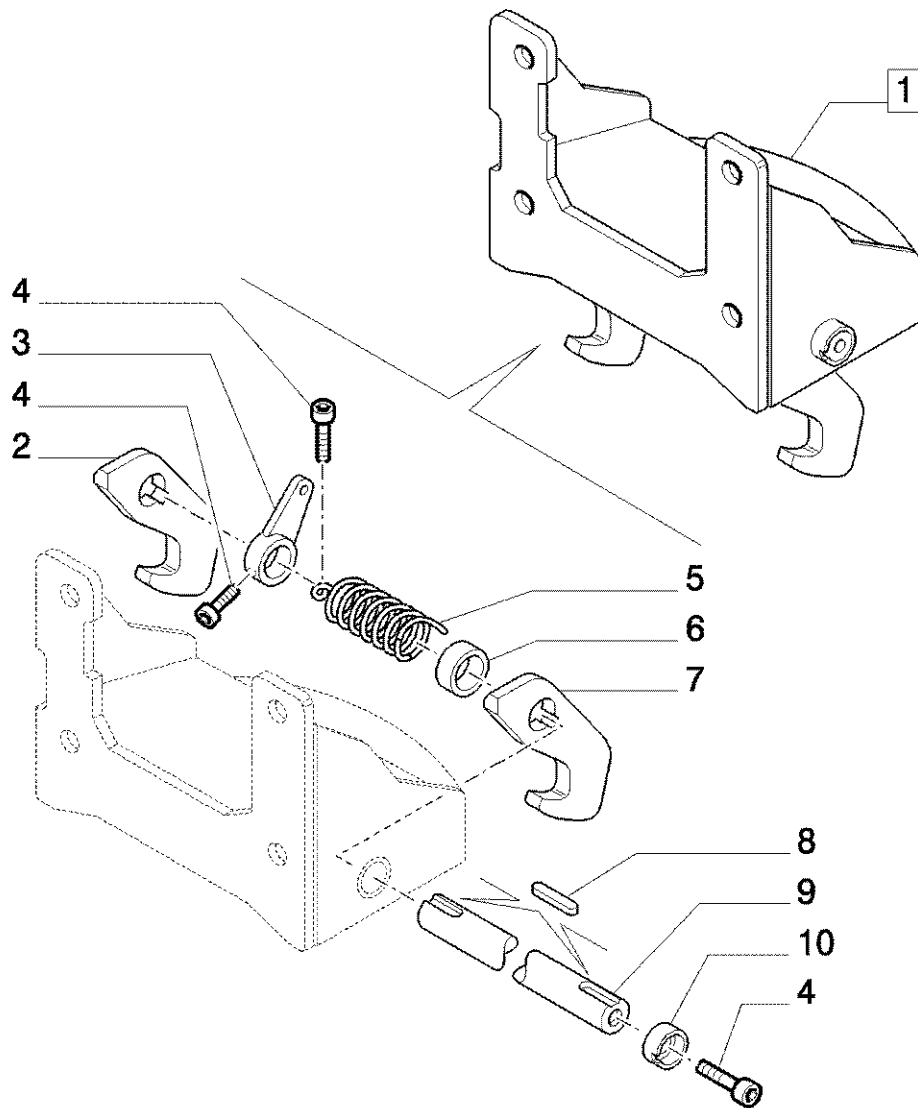
SAUERMANN



Ref	Onderdeelnummer	Kwt	Beschrijving
1	5199372	1	TREKSTANG,
2	10797801	2	SPLITPEN, M6.3 x 50,
2	83415765	2	SPLITPEN, 1/8X.75
3	12163321	2	MOER, M16, CI 10,
4	82008100	2	TREKSTANG,
5	82018046	2	PEN, D = 22, L = 101.5
6	14168970	2	SLUITPEN, M6 x 50, Slotted,
7	82028118	2	ZWAAIARM,
8	5199366	1	HAAK,
9	5183797	1	PEN,
10	12163321	2	MOER, M16, CI 10,
11	11120331	2	BOUT, Hex, M16 x 120, 10.9,
12	82018201	2	STEUNBEUGEL,



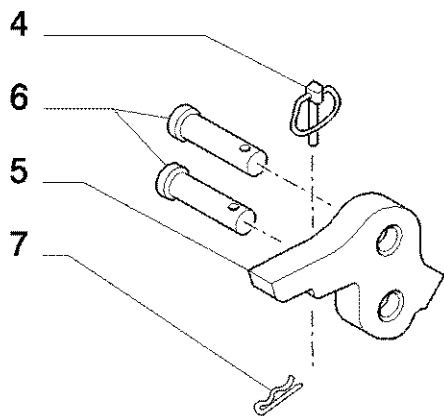
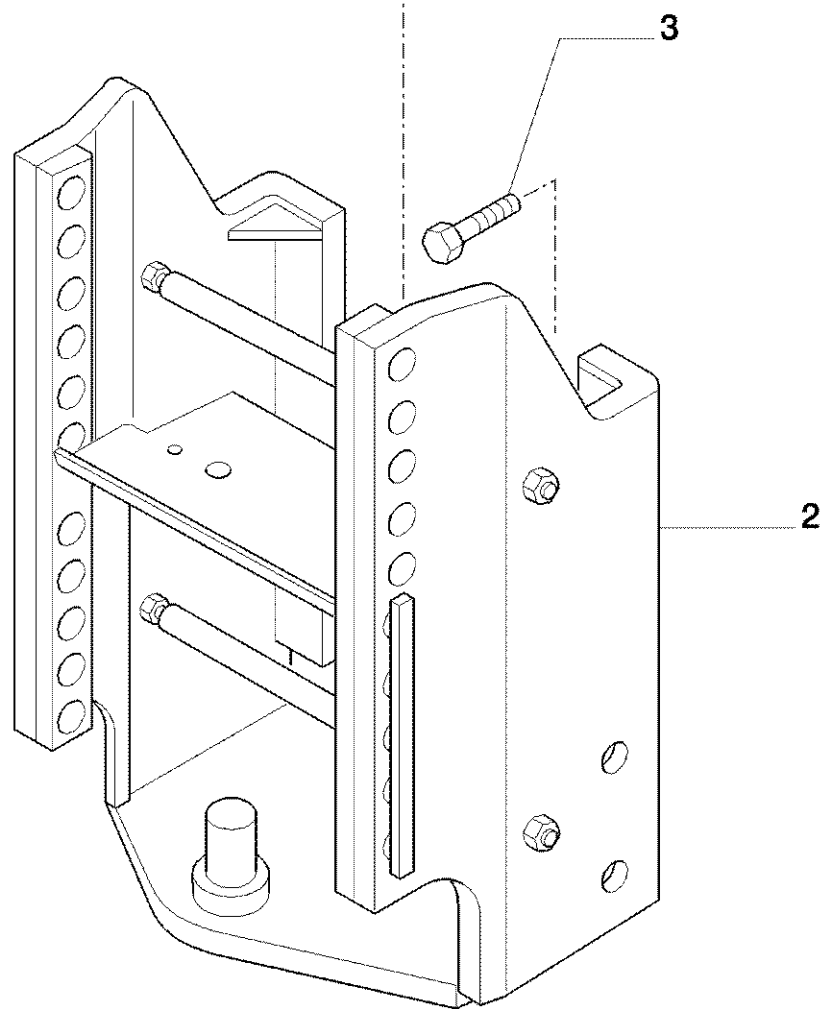
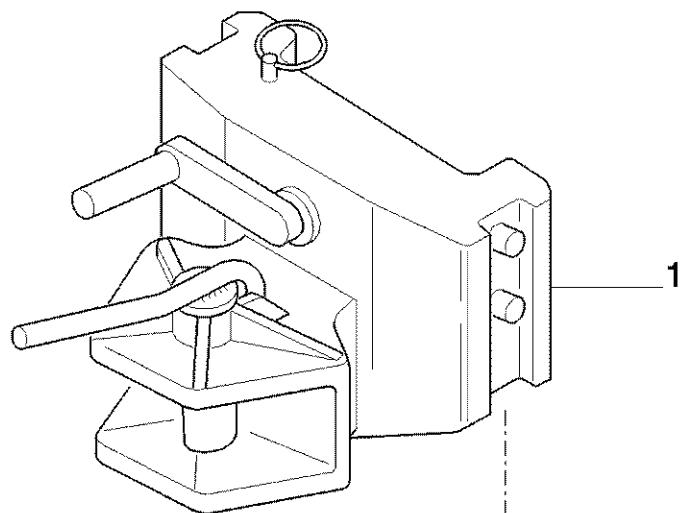
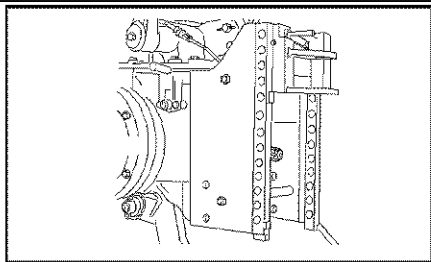
SAUERMANN



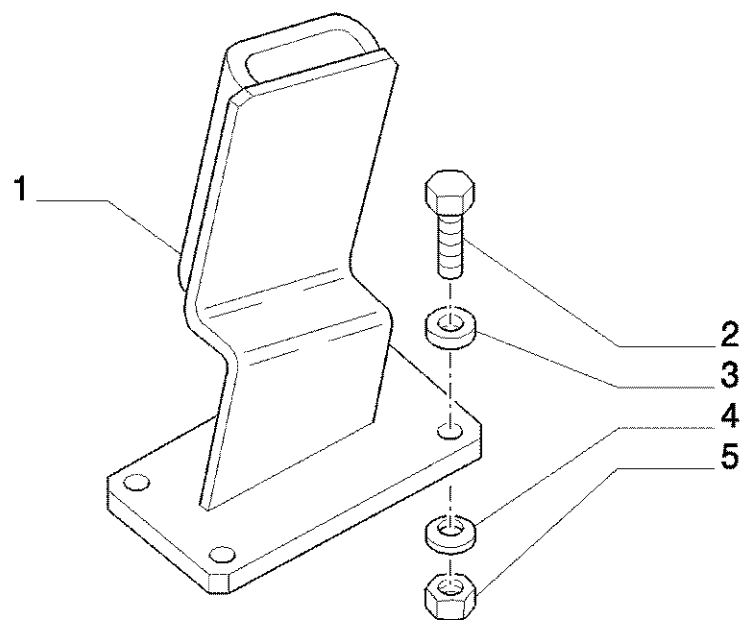
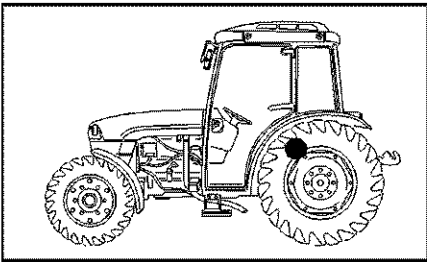
360 KOMPAKT TRACTOR (4/03-) - Opheffing / Vasthechting Werktuigen

1.89.3/13(05) (VAR.929) PICK UP HITCH EN TREKSTANG (SAUERMANN)

Ref	Onderdeelnummer	Kwt	Beschrijving
1	82018189	1	STEUN,
2	82008309	1	KLINK,
3	82018203	1	LAGERBUS,
4	14442024	4	SCHROEF, M8X20
5	81872300	1	VEER,
6	82018233	1	PEN,
7	82008310	1	KLINK,
8	82002862	2	INLEGSPIE,
9	82018192	1	AS,
10	82018204	2	AFSTANDSRING,

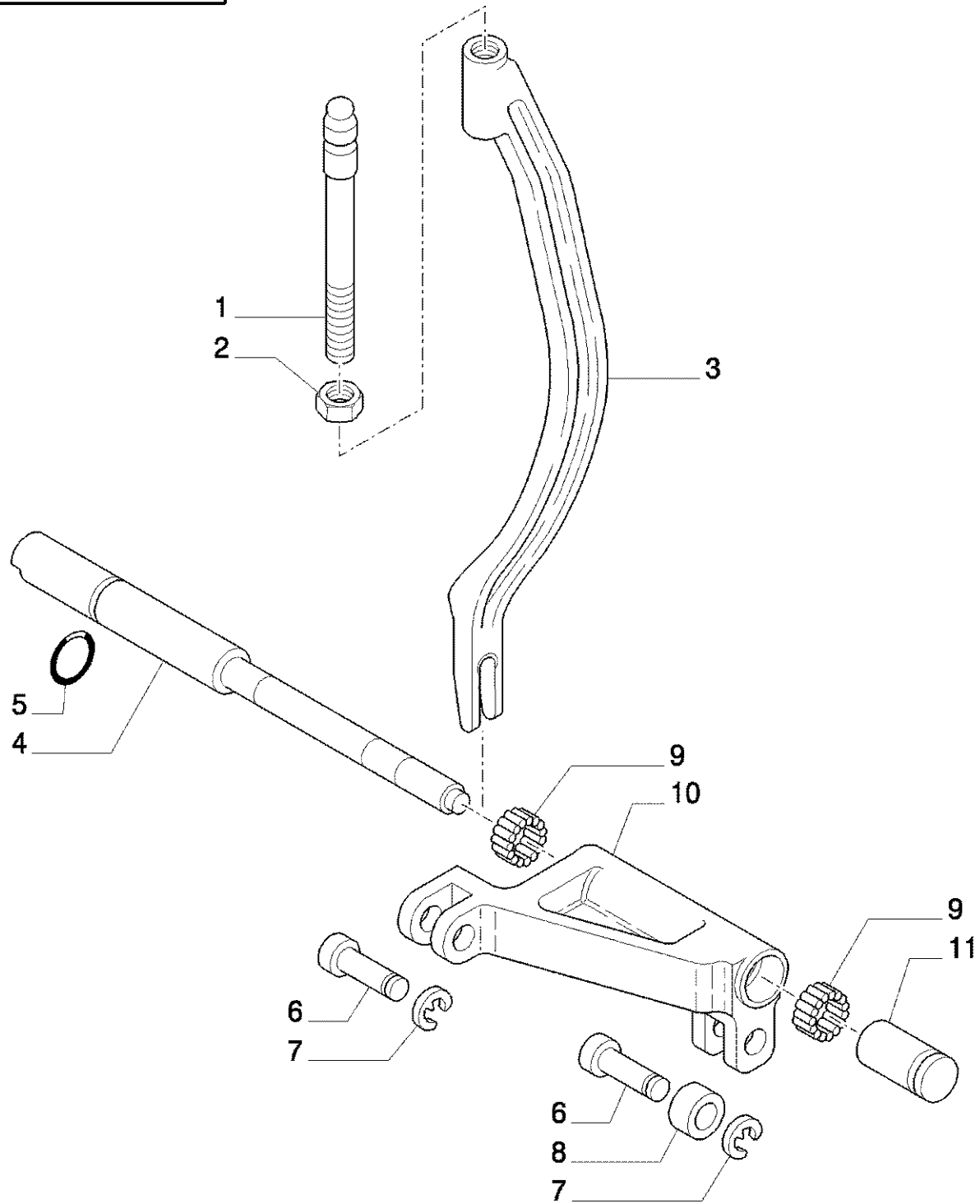
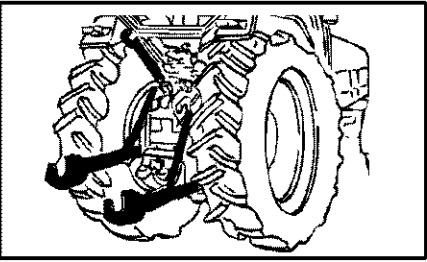


Ref	Onderdeelnummer	Kwt	Beschrijving
1	5180973	1	TREKHAAK, ASSY
2	5182446	1	STEUNBEUGEL,
3	11390524	8	BOUT, Hex, M16 x 1.5 x 40, 8.8, Full Thd,
4	44903774	1	SLUITPEN,
5	5182497	1	HEFBOOM,
6	5180806	2	PEN,
7	10798401	1	SPLITPEN, M6.3 x 40,



Ref	Onderdeelnummer	Kwt	Beschrijving
1	87307769	1	STEUN,
2	5182444	4	SCHROEF, M8x22
3	14496504	4	SLUITRING, M8 x 17 x 1.6,
4	11193974	4	WASHER, SPRING, Belleville, M8.4, 8x22
5	16100811	4	MOER, M8, CI 8,

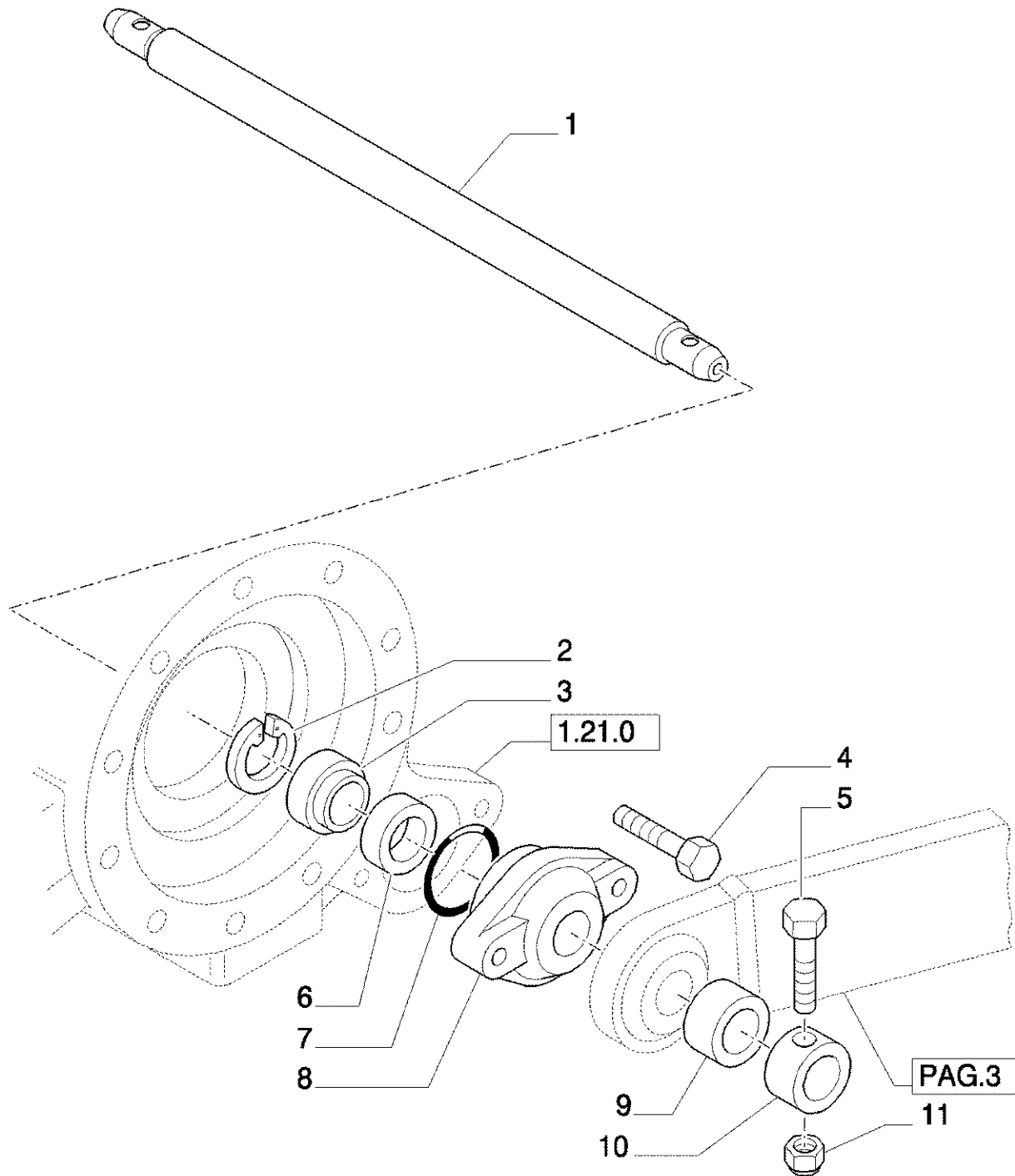
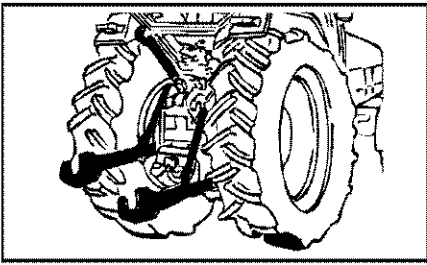
1.89.6(01) APPARAAT VASTHAKEN WERKTUIGEN



1.89.6(01) APPARAAT VASTHAKEN WERKTUIGEN

Ref	Onderdeelnummer	Kwt	Beschrijving
1	5173381	1	STANG,
2	10791011	1	MOER, Thin, M10 x 1.25, CI 04,
3	5176291	1	STANG,
4	5130109	1	PEN,
5	5115996	1	O-RING, 2.62x15.08
6	5109172	2	PEN,
7	11065976	2	RING, SNAP, M10, Ext,
8	5109156	1	ROL,
9	5109160	2	STEL RINGEN +0.8, 14 x 20 x 12
10	5173391	1	HEFBOOM, INCL.REF. 9
11	5168405	1	LAGERBUS,

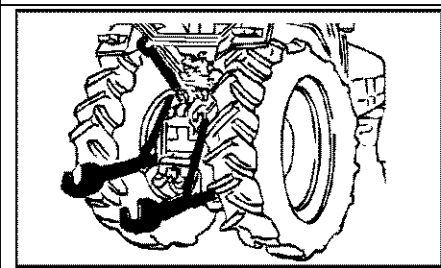
1.89.6(02) APPARAAT VASTHAKEN WERKTUIGEN



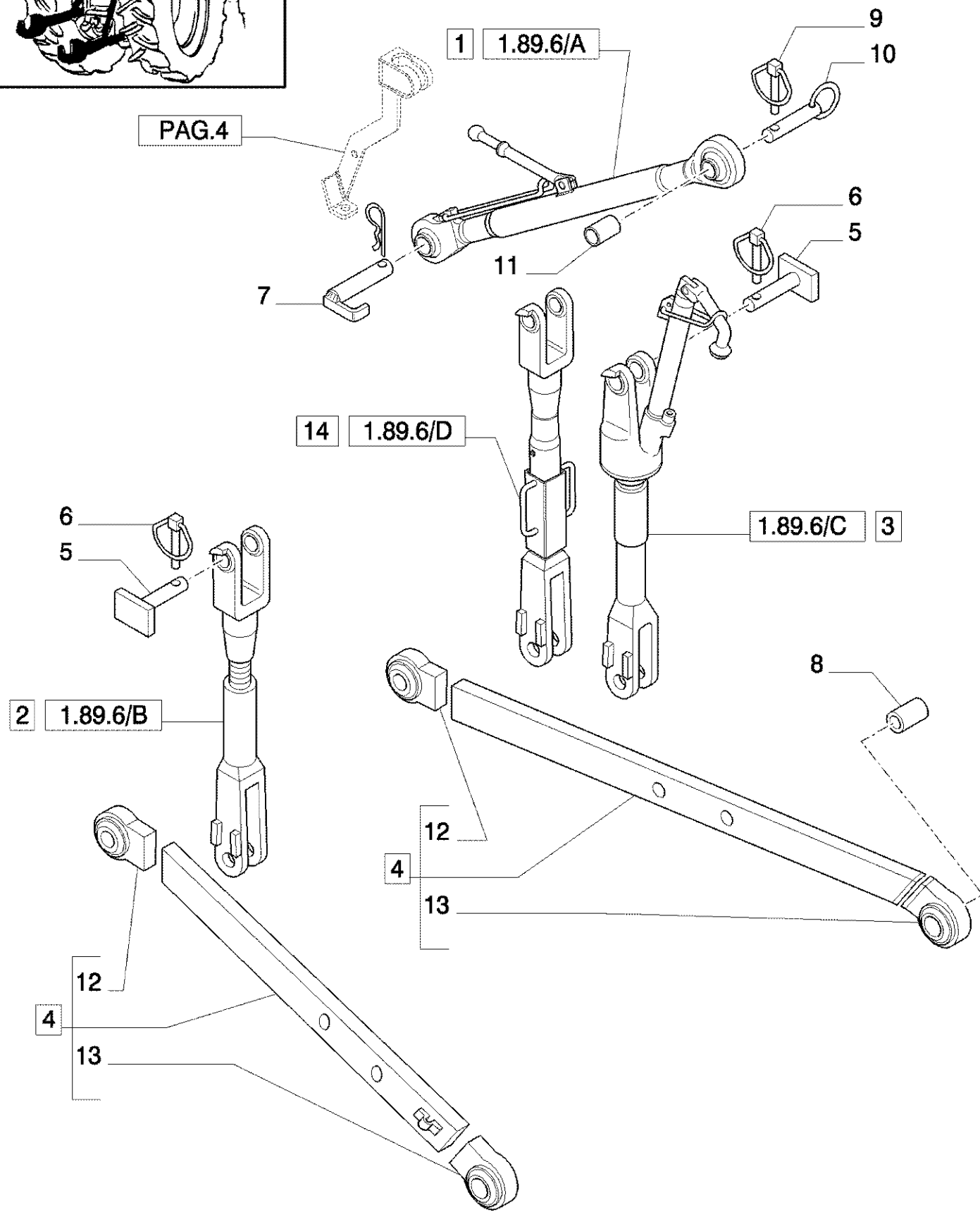
1.89.6(02) APPARAAT VASTHAKEN WERKTUIGEN

Ref	Onderdeelnummer	Kwt	Beschrijving
1	5180482	1	STAAF,
2	13421876	2	SLUITRING,
3	5116244	2	LAGERBUS,
4	15540724	4	BOUT, Hex, M12 x 1.25 x 45, 8.8,
5	15888724	2	BOUT, Hex, M10 x 1.25 x 55, 8.8,
6	47129342	2	DICHTINGSRING,
7	14459781	2	O-RING, -139, CI 7, 2.175" ID x .103" Thk,
8	5174686	2	STEUN,
9	5131391	2	AFSTANDSRING,
10	5116247	2	RING,
11	12574511	2	NUT, LOCK, M10 x 1.25, CI 8,

1.89.6(03) APPARAAT VASTHAKEN WERKTUIGEN

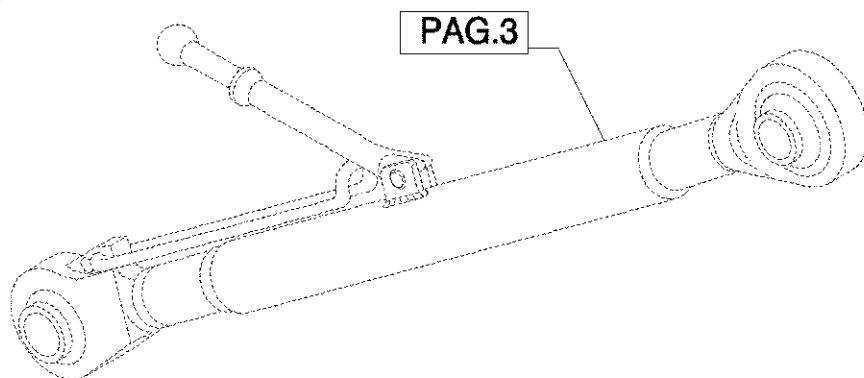
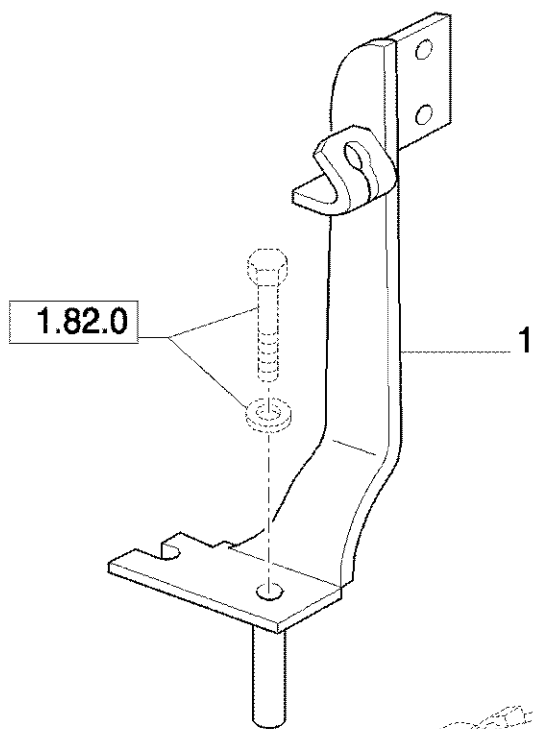
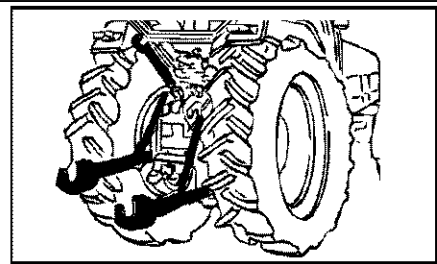


PAG.4



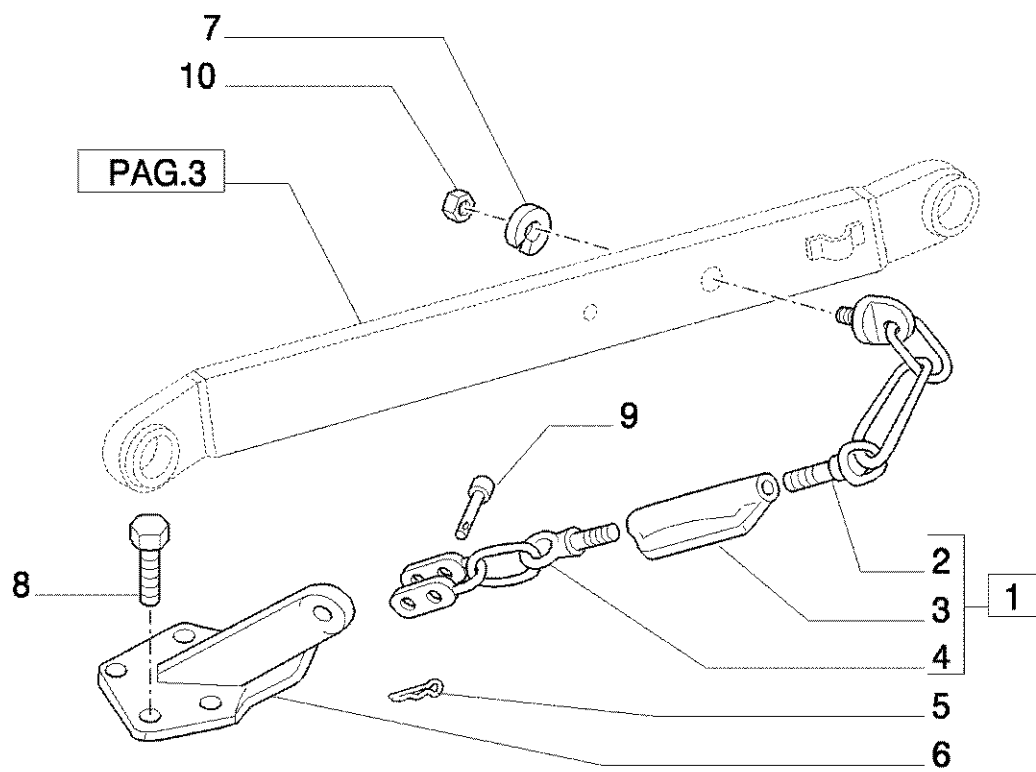
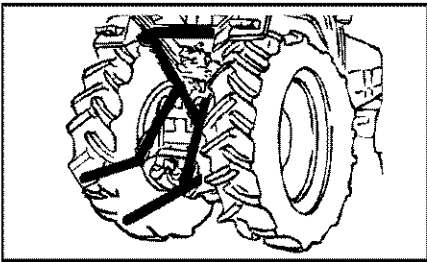
Ref	Onderdeelnummer	Kwt	Beschrijving
1	5199265	1	STUT, ASSY
2	47123247	1	TREKSTANG, LH
3	47123251	1	TREKSTANG, RH, BSN HJE023332
4	5199349	2	HEFARM,
5	5111643	2	PEN,
6	5112606	3	SPLITPEN,
7	5181097	1	PEN,
8	5192619	2	LAGERBUS, 22x28.4x35
9	5166585	3	SLUITPEN,
10	561831	1	PEN, CAT.I, D=19
10	822483	1	PEN, CAT.II, D=25.5
11	5134566	1	LAGERBUS,
12	9971530	2	UITEINDE,
13	9971515	2	UITEINDE,
14	5199999	1	TREKSTANG, RH, ASN HJE023333

1.89.6(04) APPARAAT VASTHAKEN WERKTUIGEN

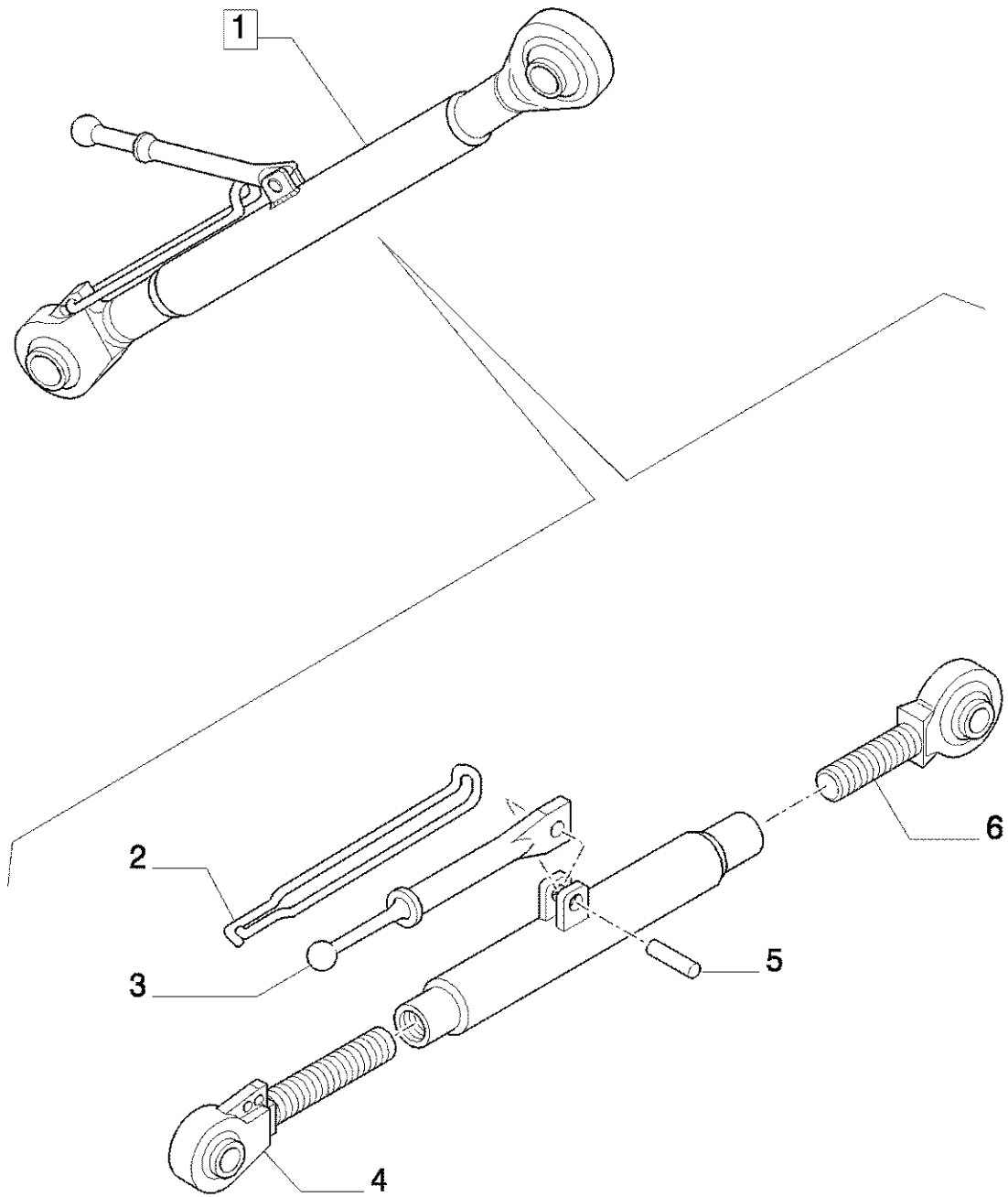
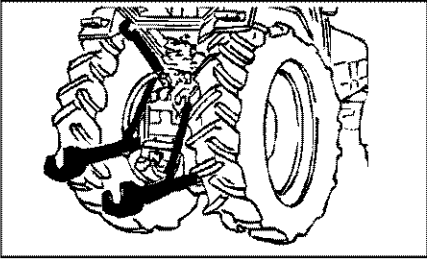


Ref	Onderdeelnummer	Kwt	Beschrijving
1	47123434	1	STEUNBEUGEL, ASSY

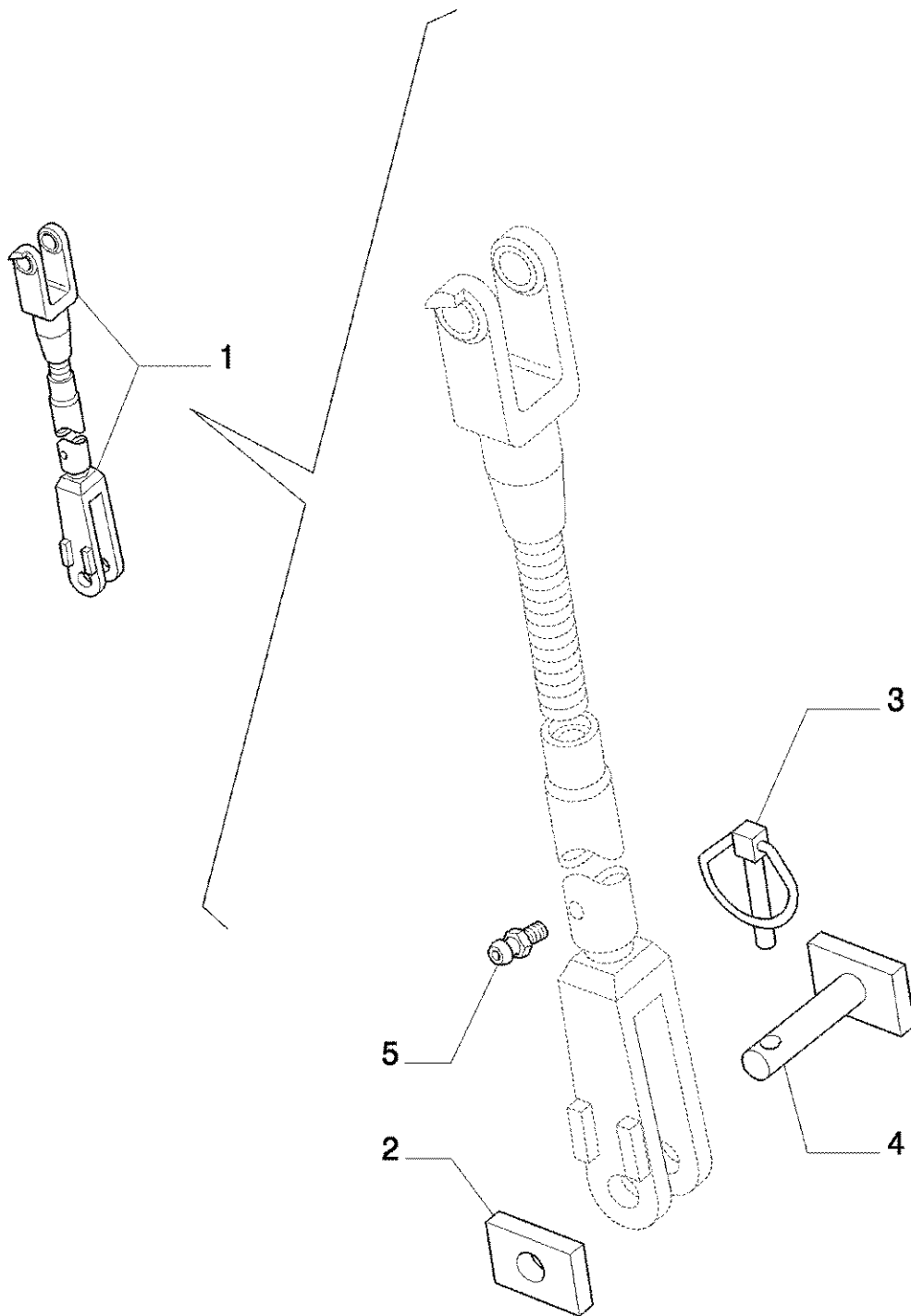
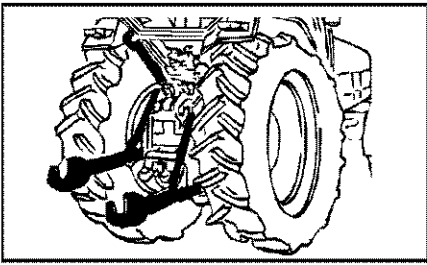
1.89.6(05) APPARAAT VASTHAKEN WERKTUIGEN



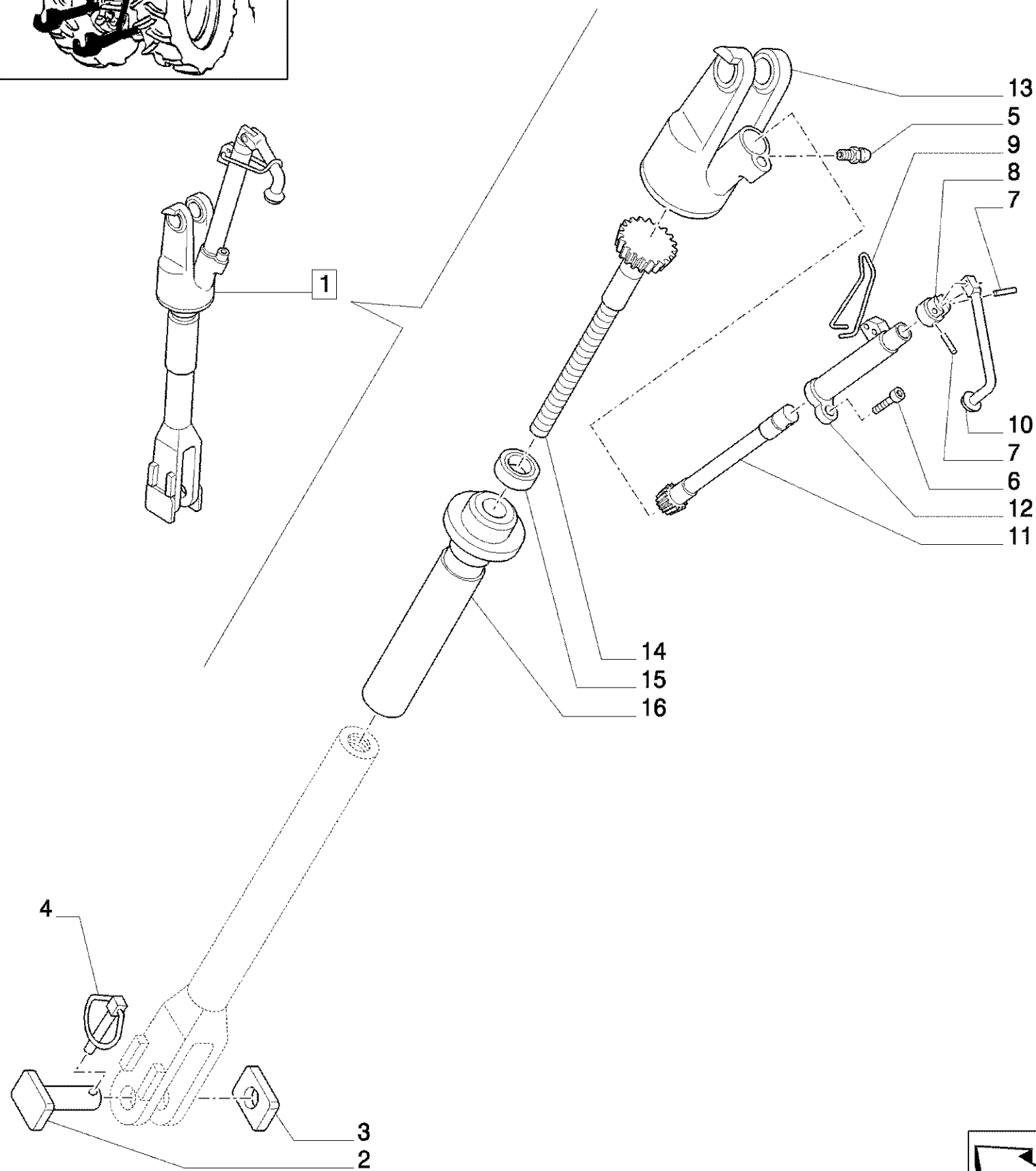
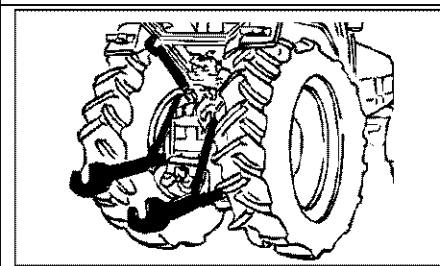
Ref	Onderdeelnummer	Kwt	Beschrijving
1	5179842	1	KETTING,
2	5127933	1	KETTING,
3	44905471	1	KETTING,
4	5179864	1	KETTING,
5	5112606	4	SPLITPEN,
6	5179997	2	STEUN,
7	5111639	2	VEERRING,
8	11408524	8	BOUT, Hex, M18 x 1.5 x 40, 8.8, Full Thd,
9	5104030	2	PEN,
10	12164411	2	MOER, M22 x 1.5, CI 8,



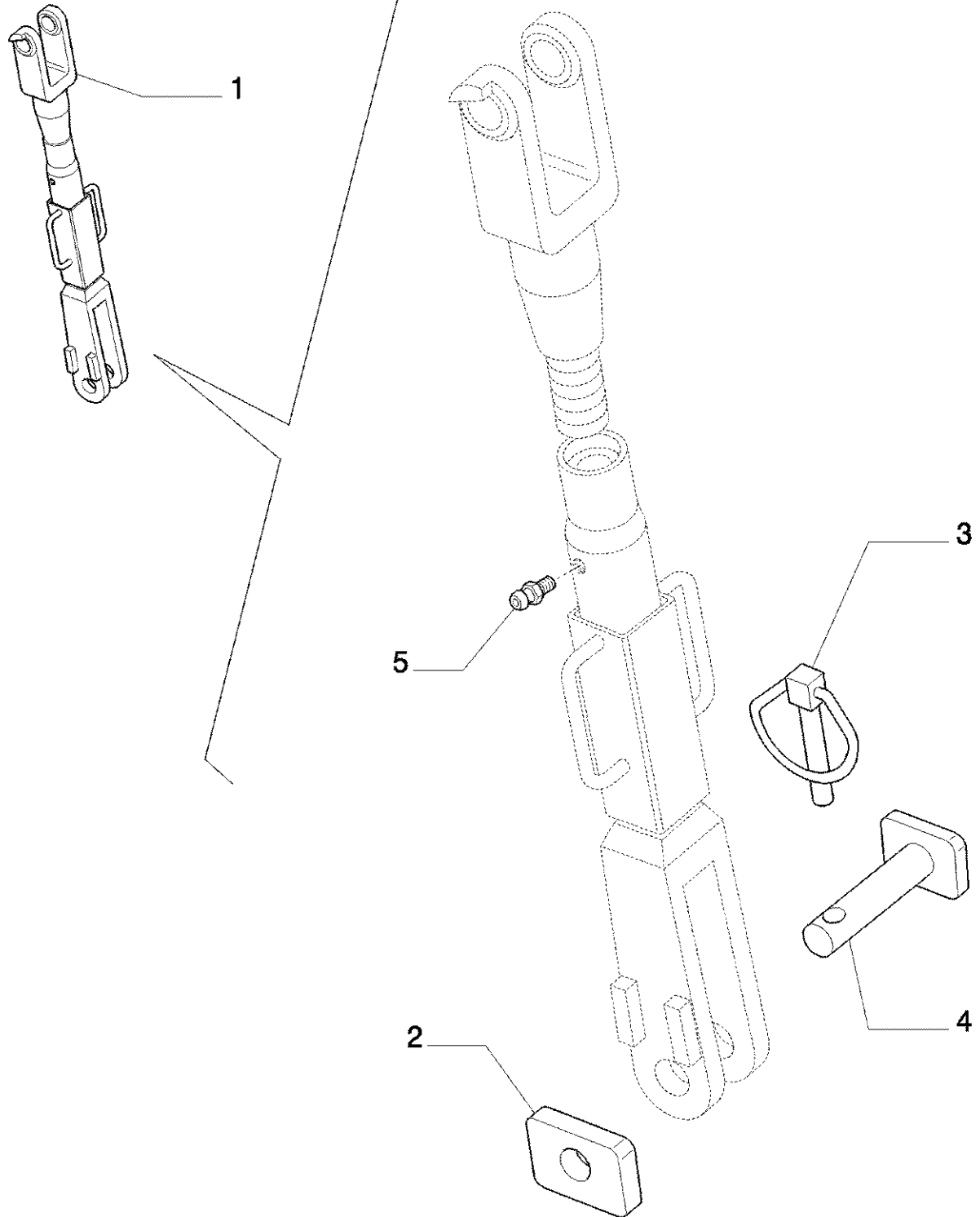
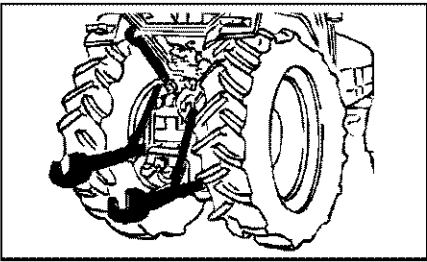
Ref	Onderdeelnummer	Kwt	Beschrijving
1	5199265	1	STUT, ASSY
2	5140619	1	VEER,
3	5172394	1	HEFBOOM,
4	9970252	1	UITEINDE,
5	9970256	1	PEN,
6	9970255	1	UITEINDE,



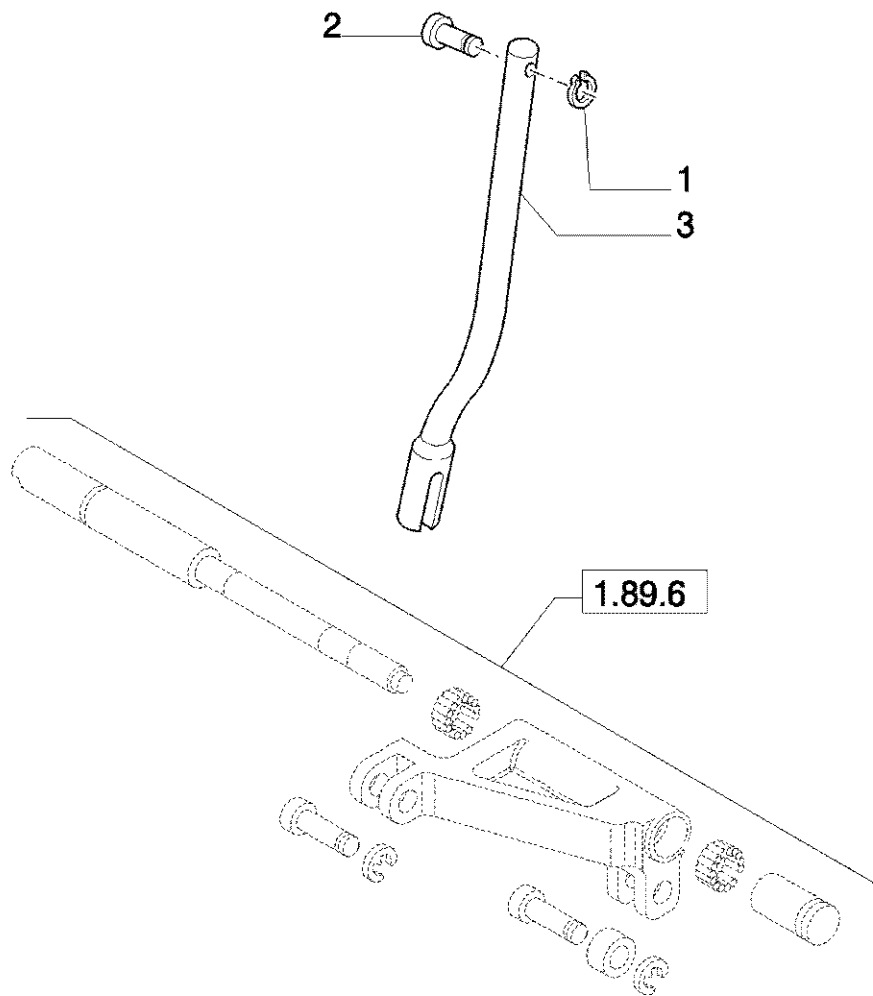
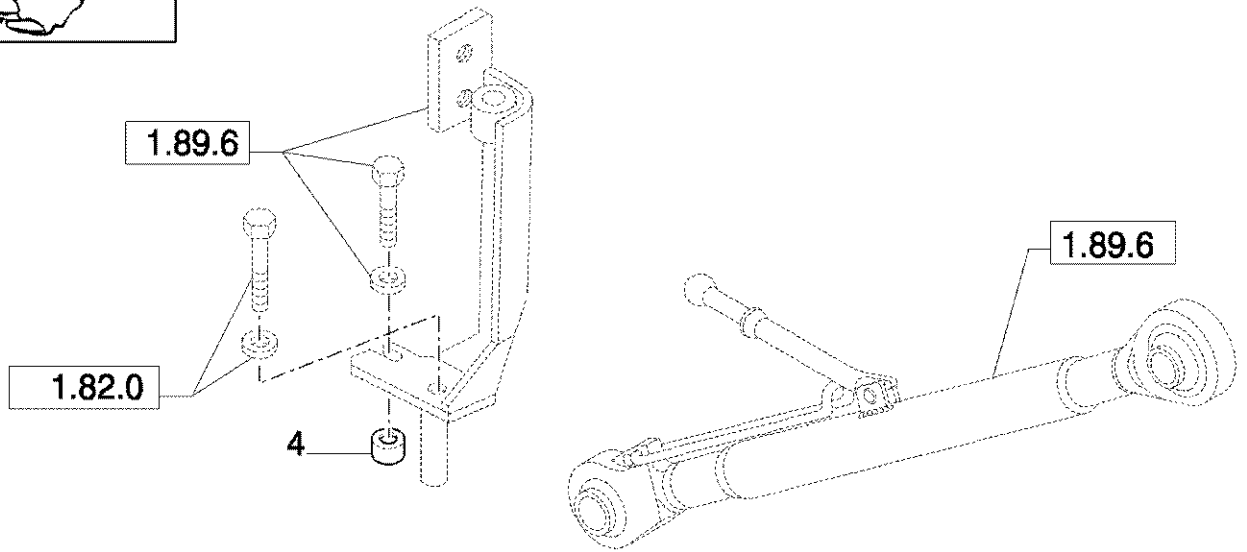
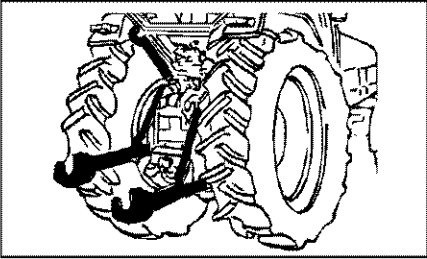
Ref	Onderdeelnummer	Kwt	Beschrijving
1	47123247	1	TREKSTANG, ASSY
2	9971768	1	AFSTANDSRING,
3	5194125	1	SPANSTIFT,
4	9971769	1	PEN,
5	13407211	1	SMEERNIPPEL, M10 x 1,



Ref	Onderdeelnummer	Kwt	Beschrijving
1	47123251	1	TREKSTANG,
2	9971769	1	PEN,
3	9971768	1	AFSTANDSRING,
4	5194125	1	SPANSTIFT,
5	13407211	2	SMEERNIPPEL, M10 x 1,
6	14308221	1	SCHROEF, Hex Soc Hd, M10 x 1.25 x 65, 8.8,
7	14601070	2	SLUITPEN, M5 x 24, Slotted,
8	44017900	1	GAFFEL,
9	4950756	1	VEERKLEM,
10	5190455	1	HANDVAT,
11	5194816	1	AS,
12	5190457	1	VASTE BUIS,
13	5194817	1	VORK,
14	5194819	1	AS,
15	26800800	1	LAGER, DRUKKOPPELING,
16	5194831	1	TREKSTANG,



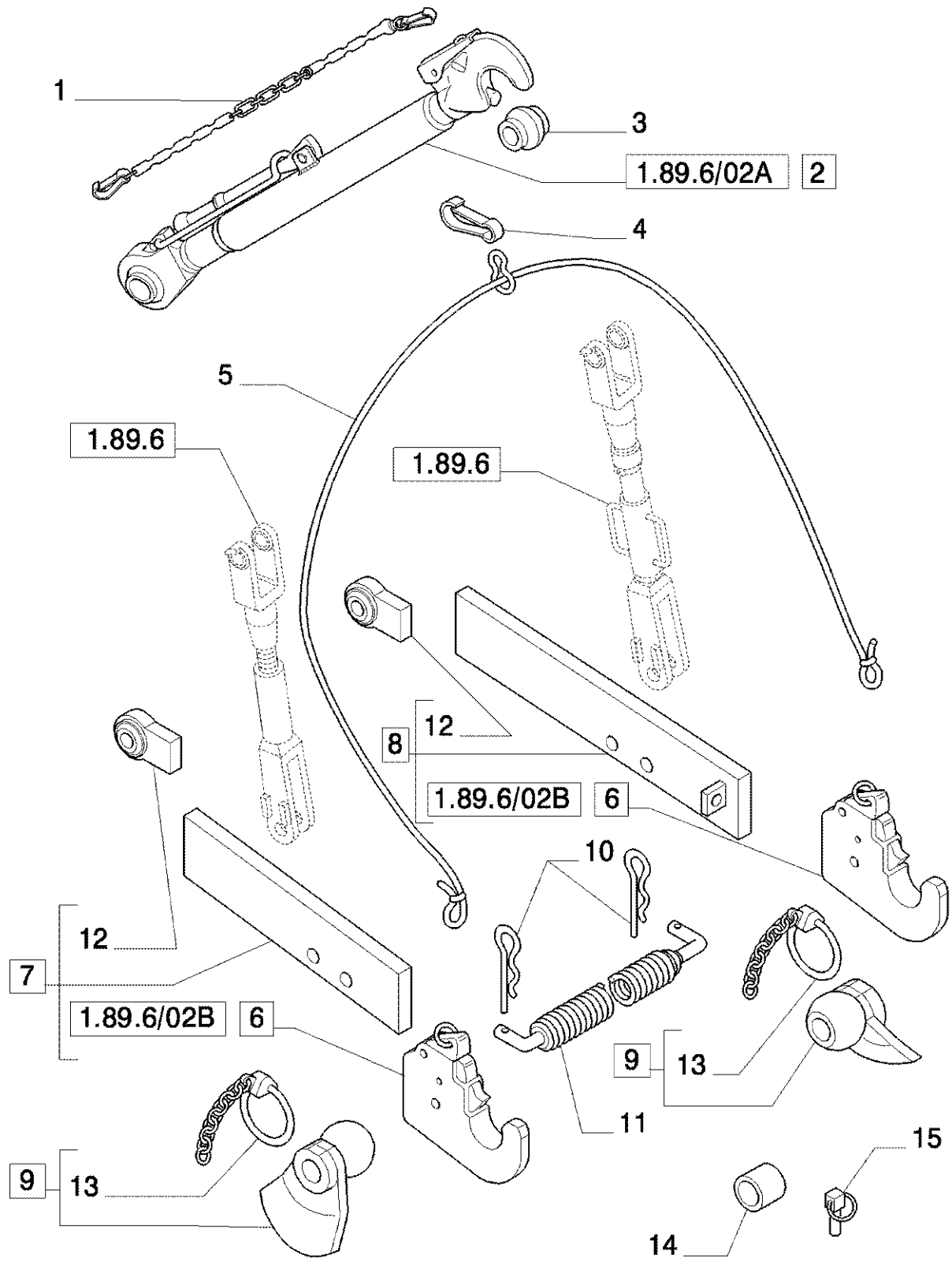
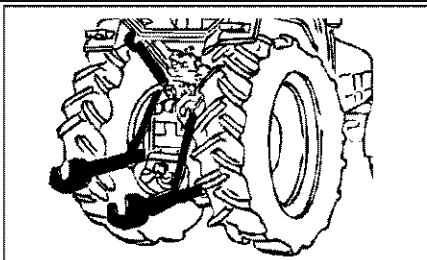
Ref	Onderdeelnummer	Kwt	Beschrijving
1	5199999	1	TREKSTANG, ASSY
2	9971768	1	AFSTANDSRING,
3	47133246	1	SPANSTIFT,
4	9971769	1	PEN,
5	5194843	1	SMEERNIPPEL,



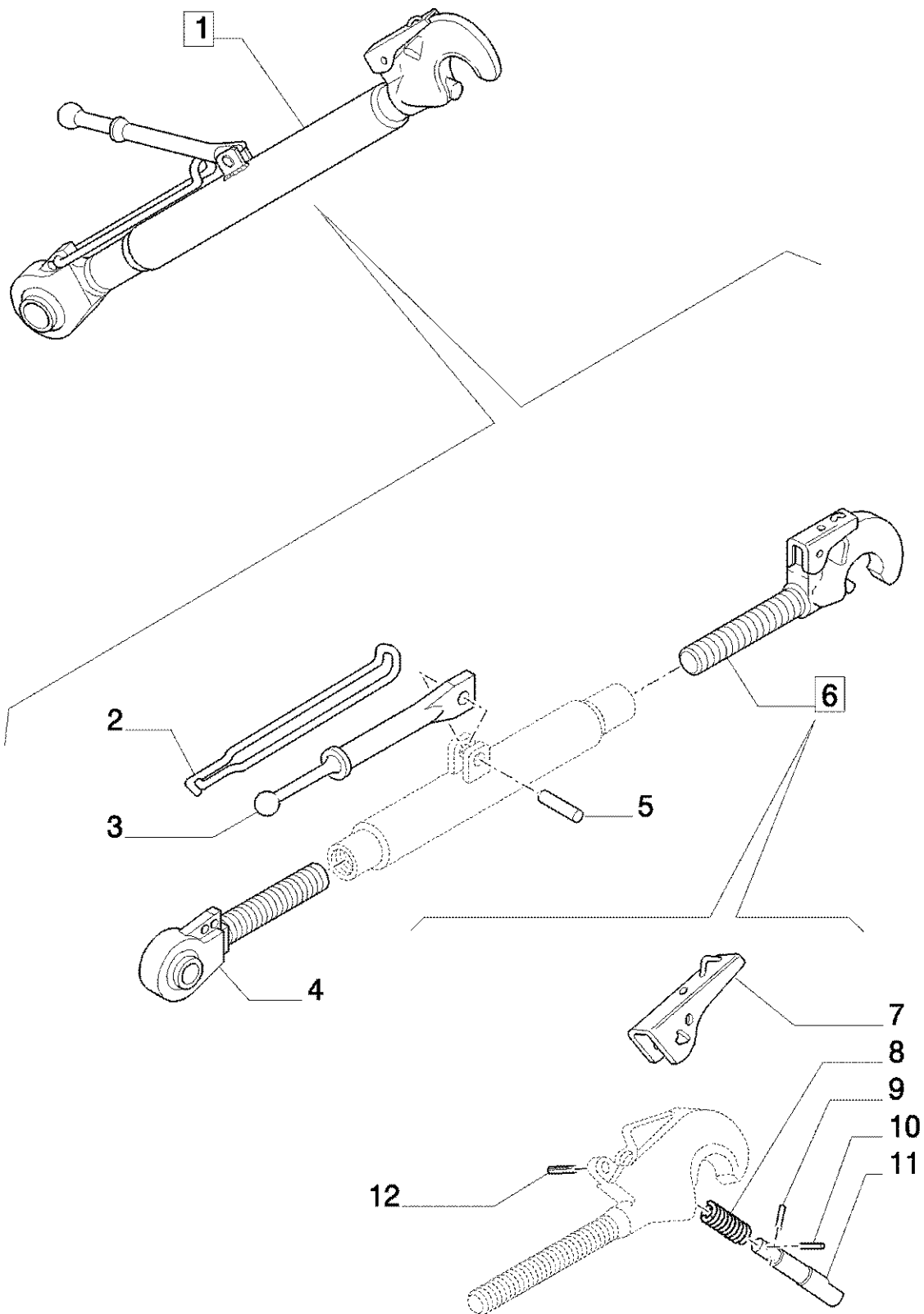
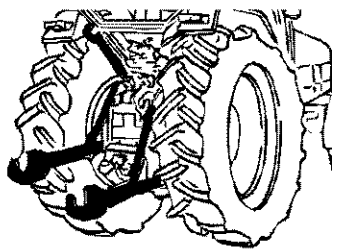
360 KOMPAKT TRACTOR (4/03-) - Opheffing / Vasthechting Werktuigen

1.89.6/01 (VAR.126-127) ELEKTRONISCH HIJSTOESTEL - STAAF

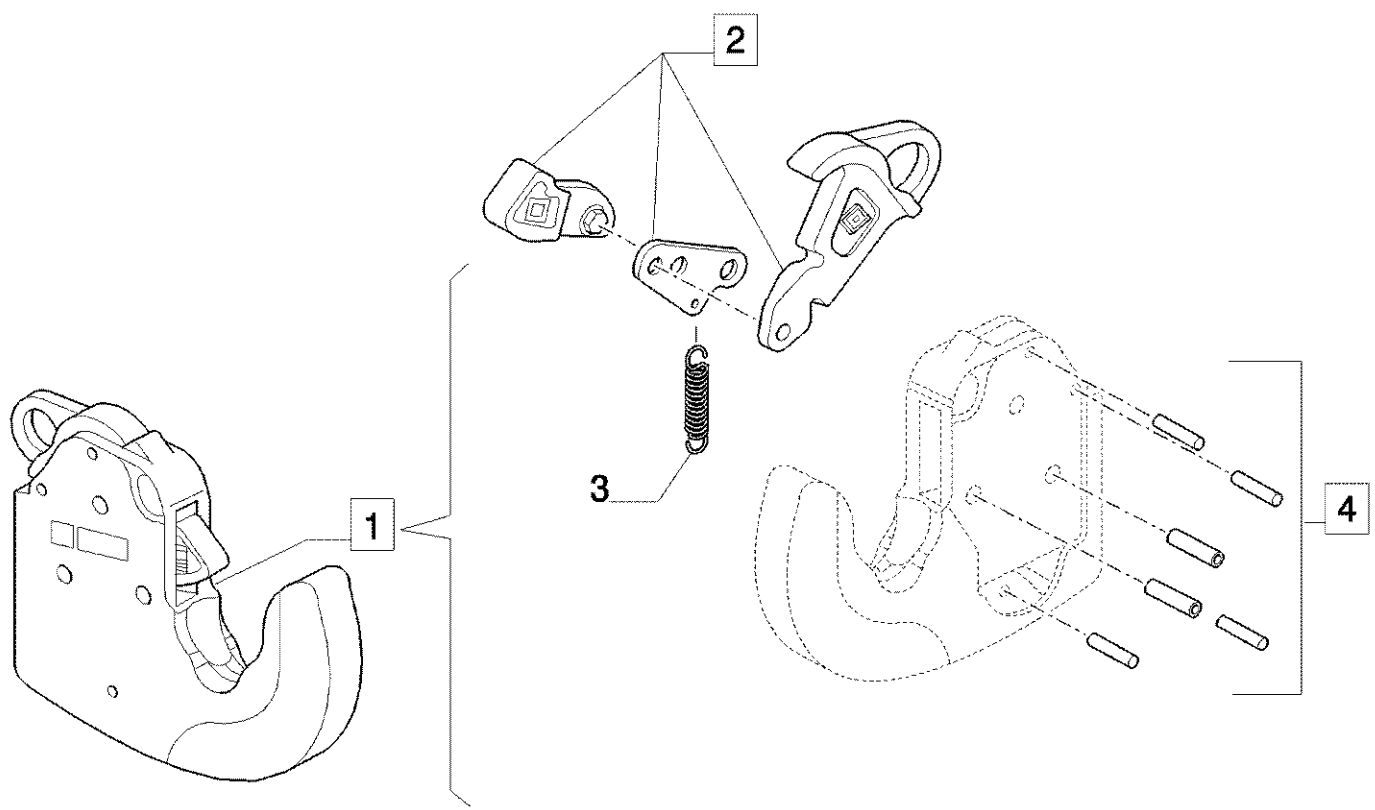
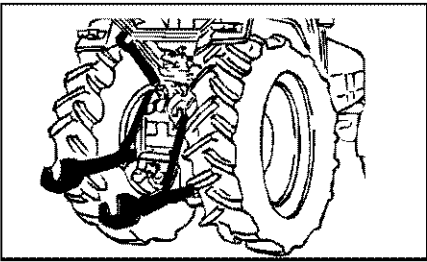
Ref	Onderdeelnummer	Kwt	Beschrijving
1	11087776	1	BORGVEER, M6,
2	5175858	1	PEN,
3	5175859	1	STANG,
4	5188390	1	AFSTANDSRING,



Ref	Onderdeelnummer	Kwt	Beschrijving
1	5174395	1	KABEL,
2	5199284	1	STUT, ASSY.
3	5172480	1	KOGEL, CAT.2
4	9961939	3	HAAK,
5	5116063	1	KOORD, INCL. REF. 4
5	5114883	1	KOORD,
6	5189331	2	HAAK,
7	5199361	1	HEFARM, LH
8	5199360	1	HEFARM, RH
9	5127760	2	KOGEL, CAT.2
10	44901190	2	SPANSTIFT,
11	5116058	1	VEER,
11	5110406	1	VEER,
12	9971515	2	UITEINDE,
13	9970362	2	PEN,
14	822441	2	LAGERBUS,
15	5166585	2	SLUITPEN,



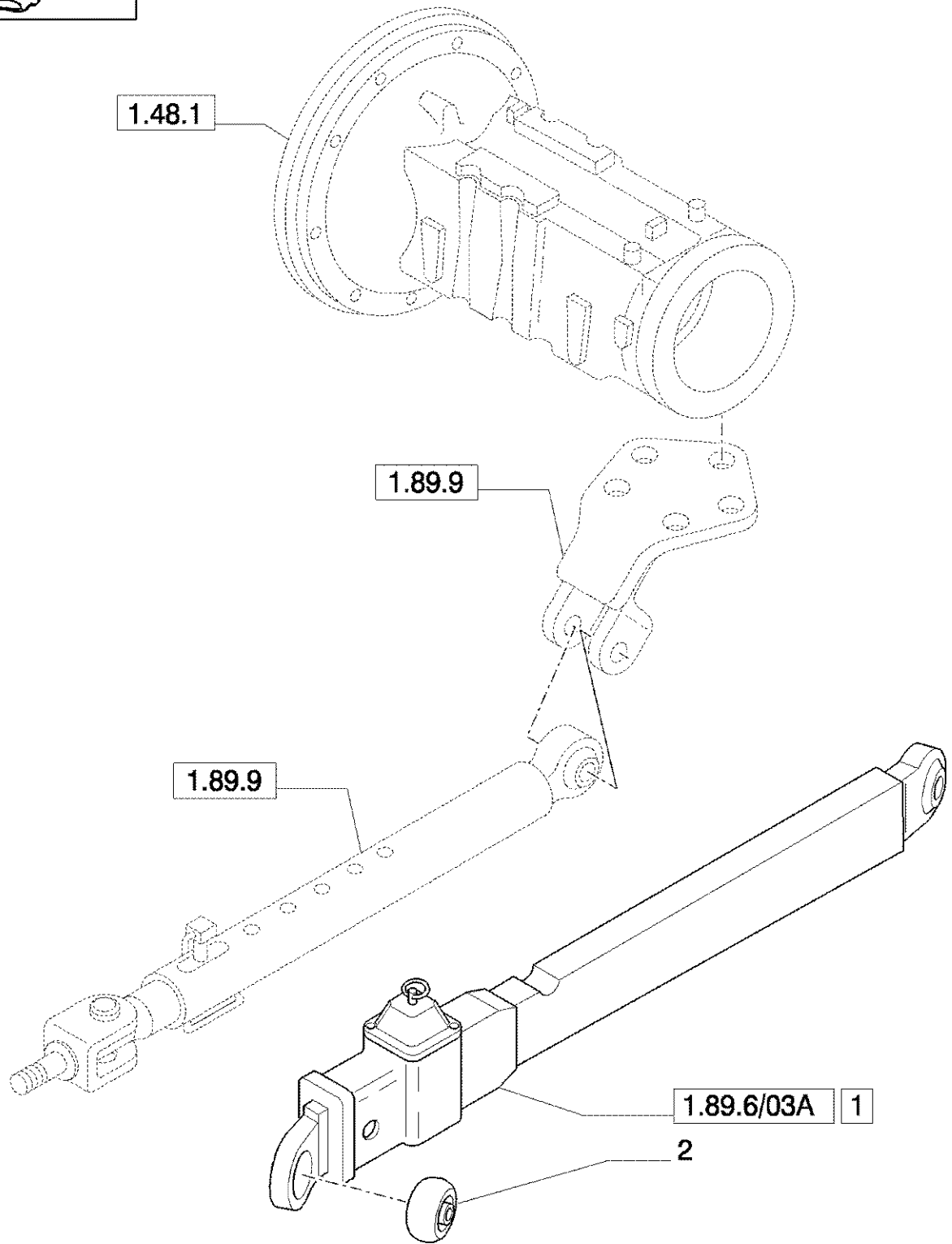
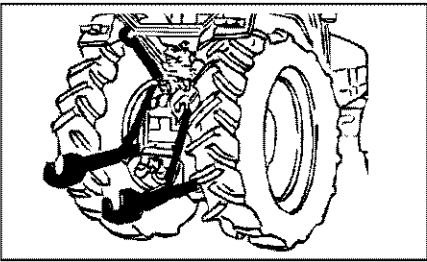
Ref	Onderdeelnummer	Kwt	Beschrijving
1	5199284	1	STUT, ASSY.
2	5140619	1	VEER,
3	5172394	1	HEFBOOM,
4	9970252	1	UITEINDE,
5	9970256	1	PEN,
6	5181556	1	HAAK, ASSY.
7	9966549	1	HEFBOOM,
8	9966524	1	VEER,
9	9966521	1	SPANSTIFT,
10	9966522	1	SPANSTIFT,
11	9966526	1	PIN, LARGE,
12	9966523	1	SPANSTIFT,



360 KOMPAKT TRACTOR (4/03-) - Opheffing / Vasthechting Werktuigen

1.89.6/02B (VAR.922) UITEINDE' "C.B.M." MET SNEL LOSHAKEN VOOR HIJSARMEN - DELEN COMPONENTEN.

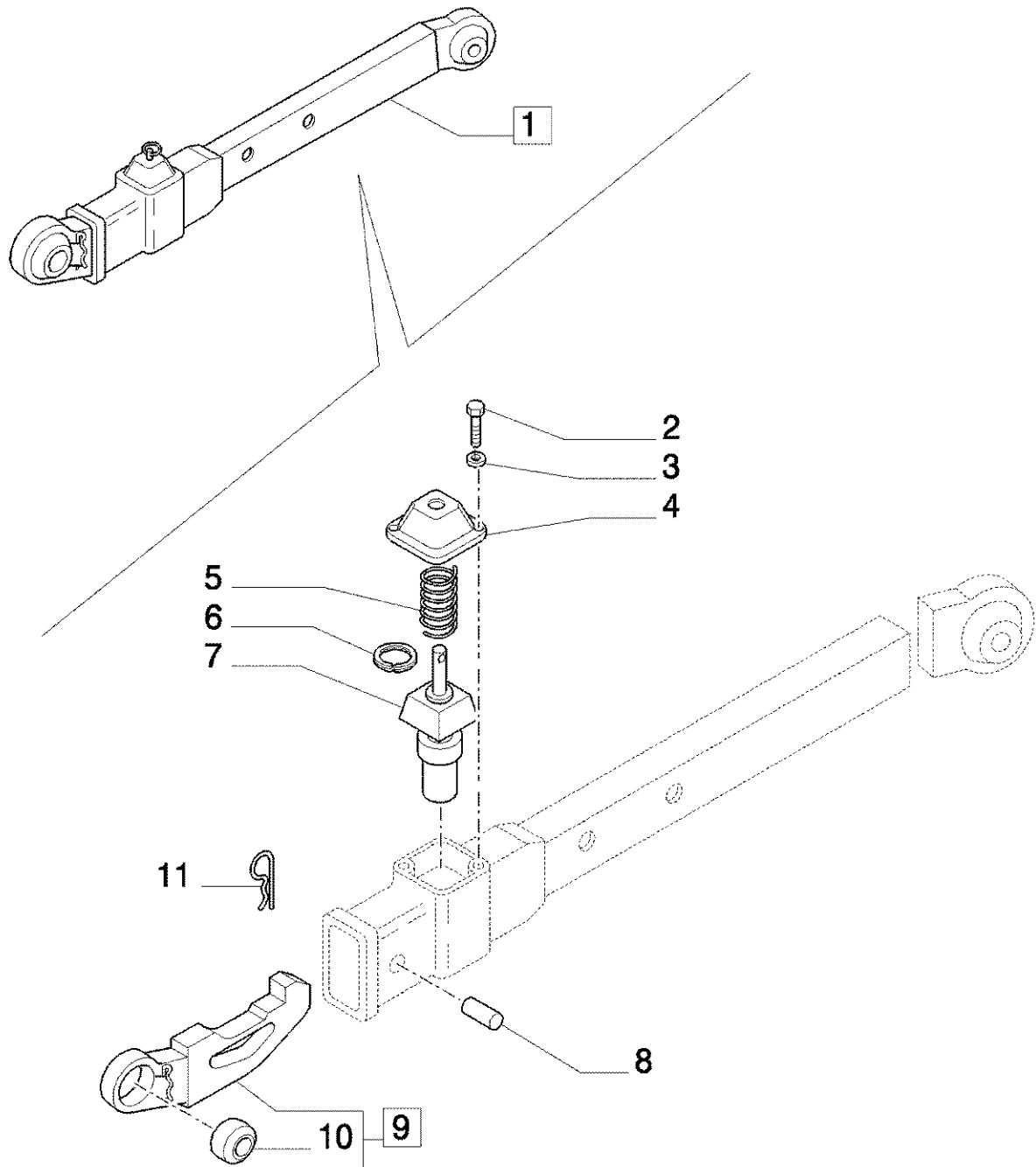
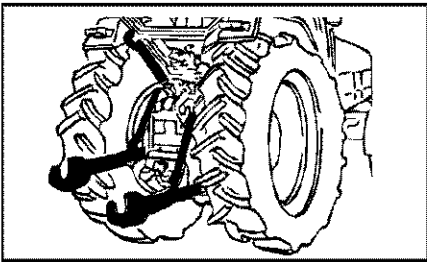
Ref	Onderdeelnummer	Kwt	Beschrijving
1	5189331	1	HAAK,
2	5189339	1	KIT,
3	5189340	1	VEER,
4	5189337	1	KIT,



360 KOMPAKT TRACTOR (4/03-) - Opheffing / Vasthechting Werktuigen

1.89.6/03 (VAR.959) TRACTIEARMEN EN TELESCOPISCHE STABILISATORS

Ref	Onderdeelnummer	Kwt	Beschrijving
1	5199354	1	HEFARM, LH
1	5199355	1	HEFARM, RH
2	83928470	2	KOGEL, CAT.1

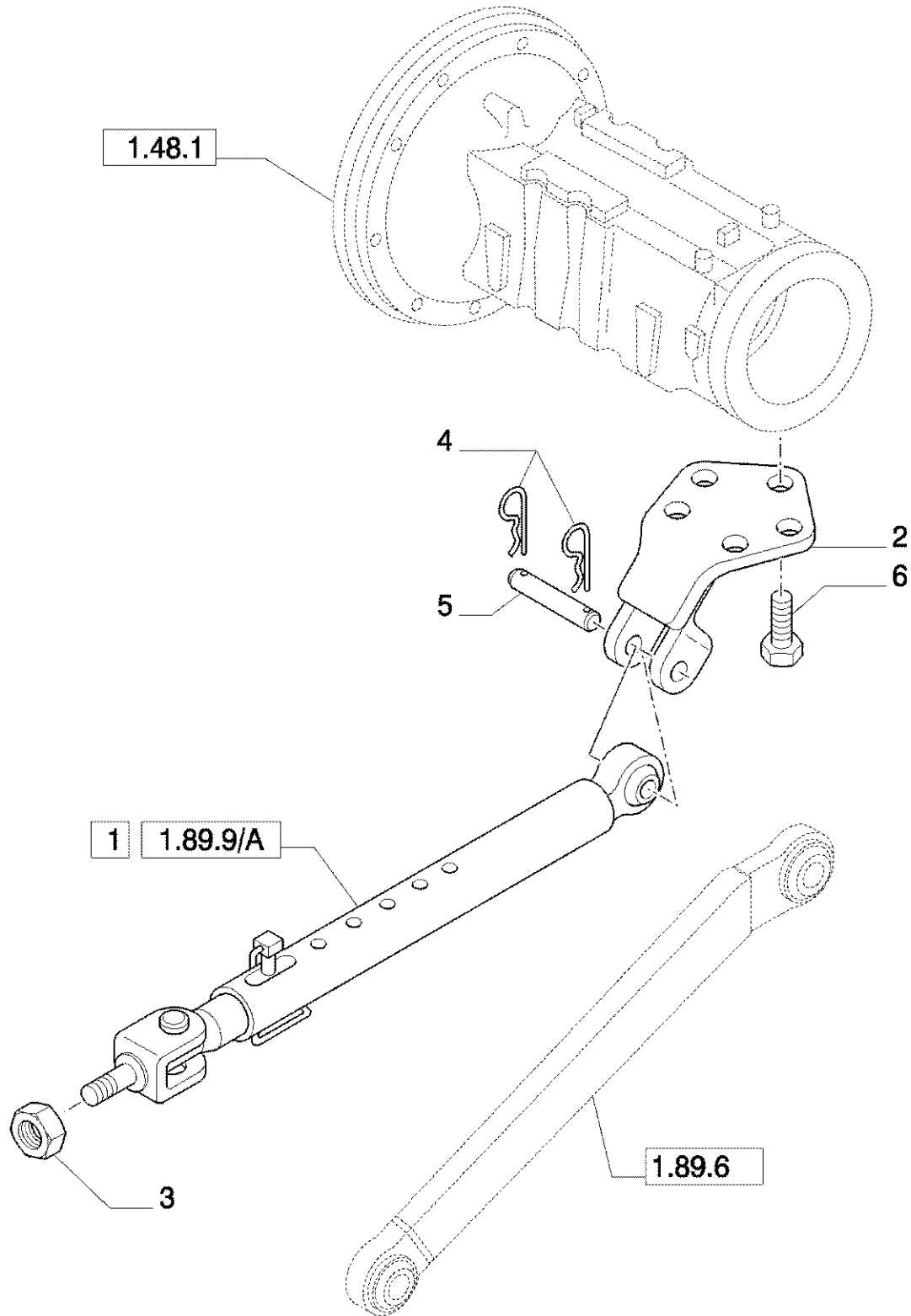
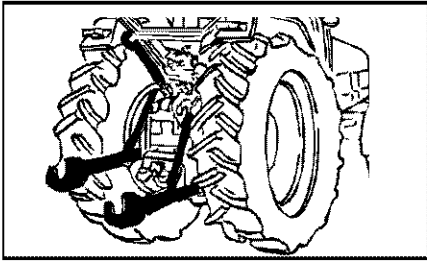


360 KOMPAKT TRACTOR (4/03-) - Opheffing / Vasthechting Werktuigen

1.89.6/03A (VAR.959) TRACTIEARMEN EN UITEINDEN

Ref	Onderdeelnummer	Kwt	Beschrijving
1	5199354	1	HEFARM, LH ASSY
1	5199355	1	HEFARM, RH ASSY
2	5192221	2	SCHROEF,
3	5192220	2	SLUITRING,
4	5192224	1	DEKSEL,
5	5192222	1	VEER,
6	5192225	1	BORGVEER,
7	5192223	1	PEN,
8	9971549	1	SPANSTIFT,
9	9971547	1	UITEINDE, LH
9	9971548	1	UITEINDE, RH
10	9971701	10	LAGERBUS, CAT.II
11	83943847	1	KLEM, Pin

1.89.9 SUPPORT GRENSBEPALER

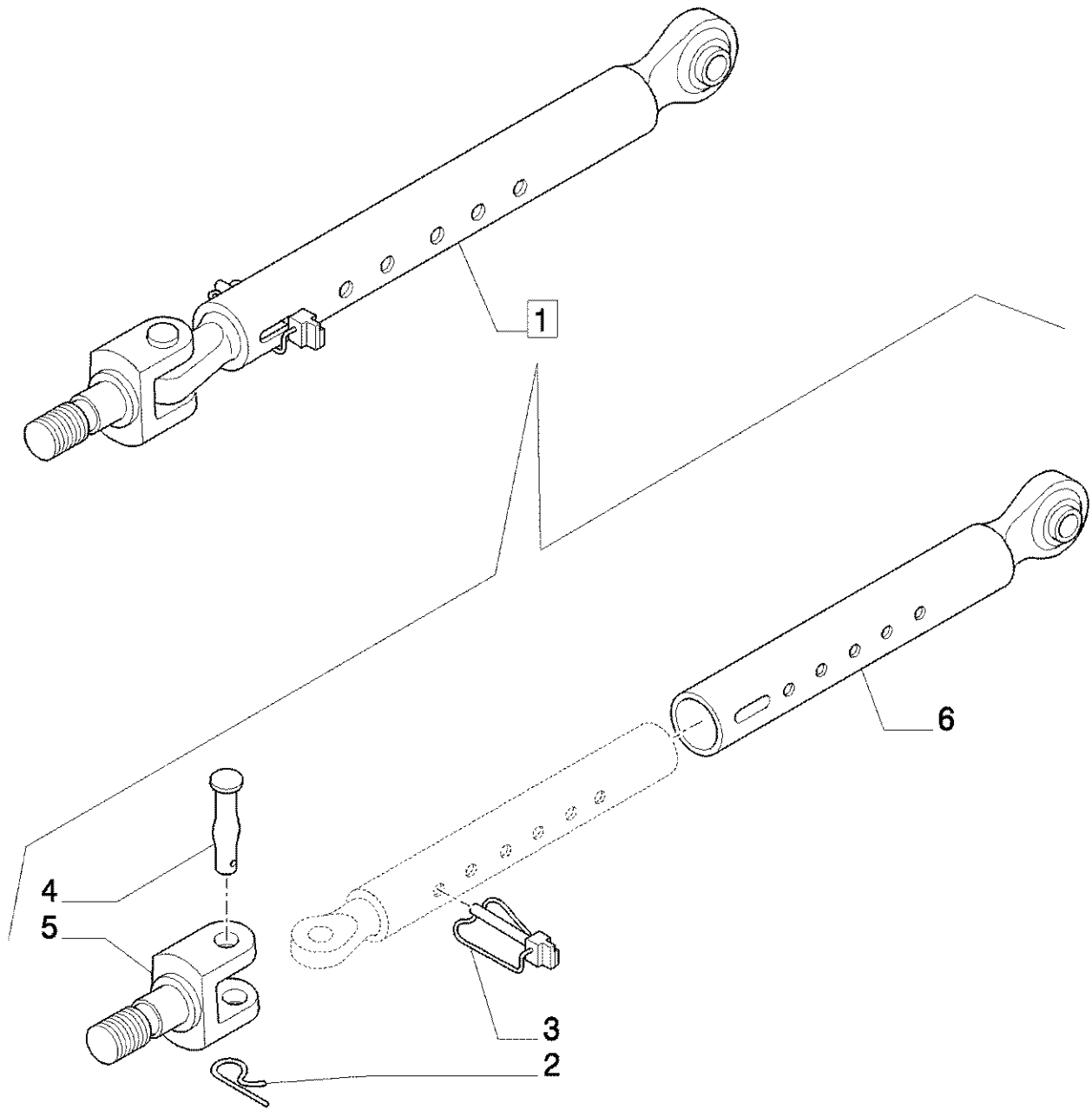
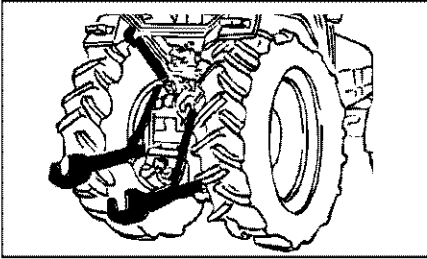


360 KOMPAKT TRACTOR (4/03-) - Opheffing / Vasthechting Werktuigen

1.89.9 SUPPORT GRENSBEPALER

Ref	Onderdeelnummer	Kwt	Beschrijving
1	5199353	2	STUT, TOP GREY, ASSY
2	5179942	2	STEUN,
3	12577021	2	
4	10798301	6	SPLITPEN, M6.3 x 36,
5	5125861	2	PEN,
6	11408524	8	BOUT, Hex, M18 x 1.5 x 40, 8.8, Full Thd,

VAR.904 FOR MODEL 360 ONLY

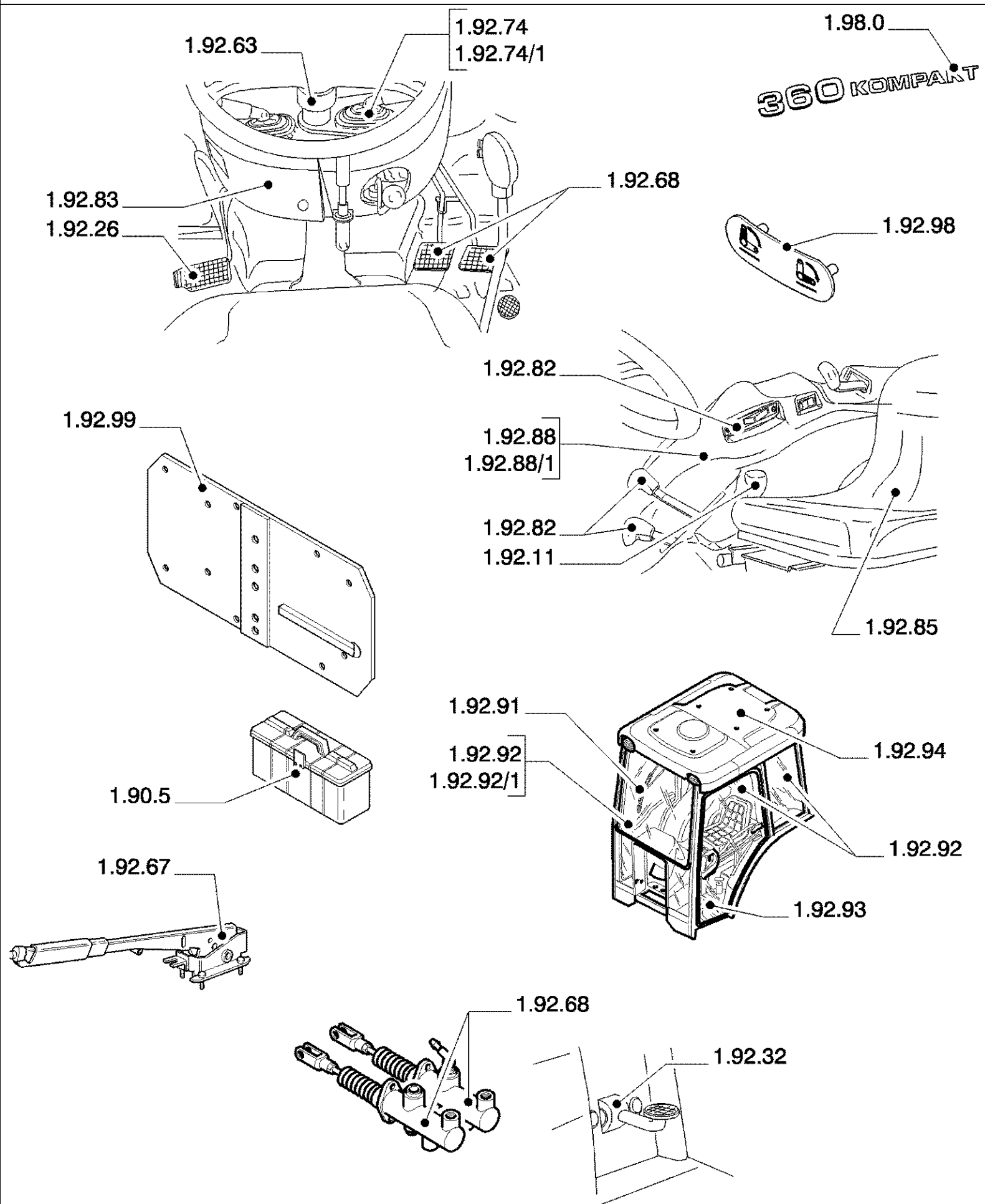


360 KOMPAKT TRACTOR (4/03-) - Opheffing / Vasthechting Werktuigen

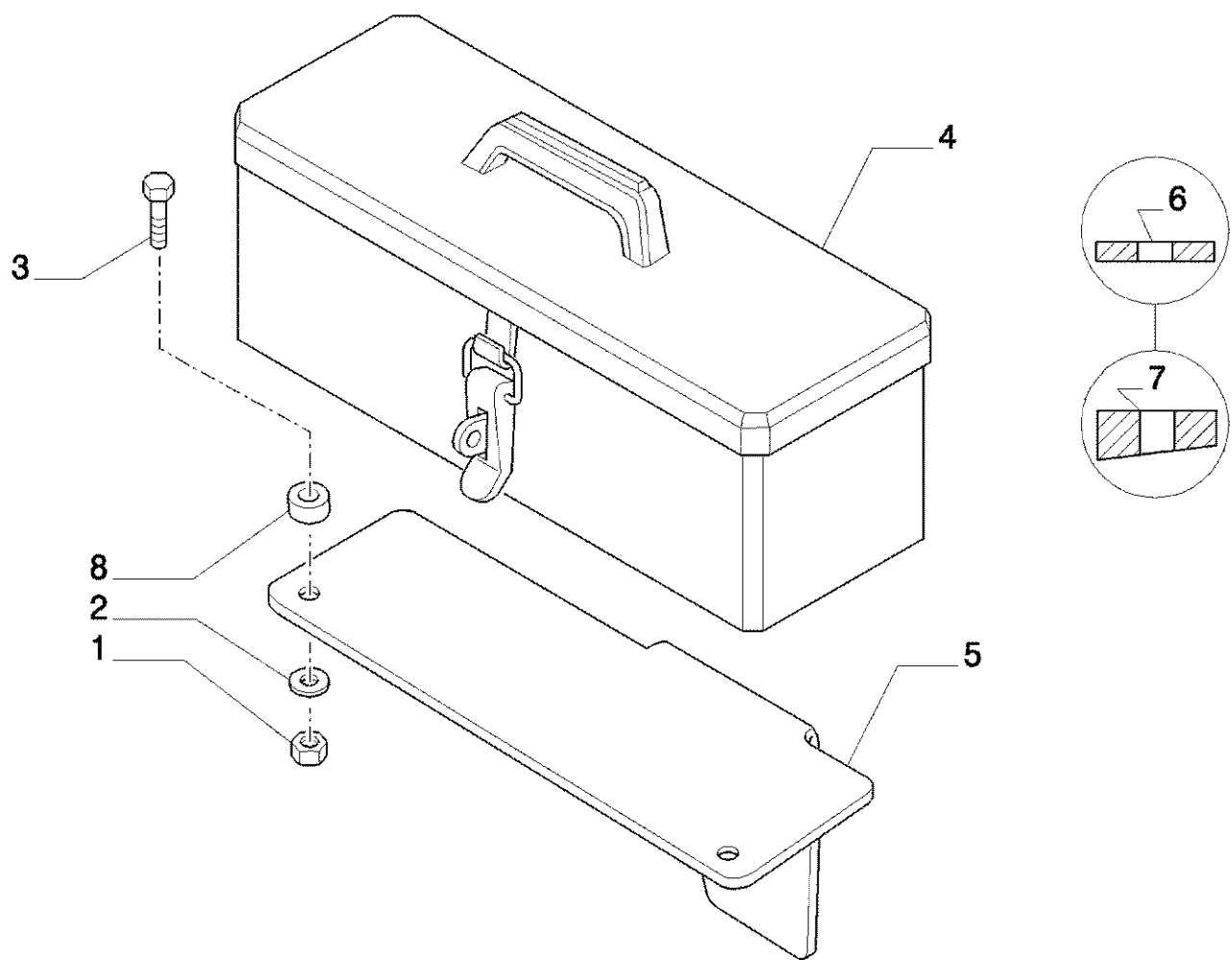
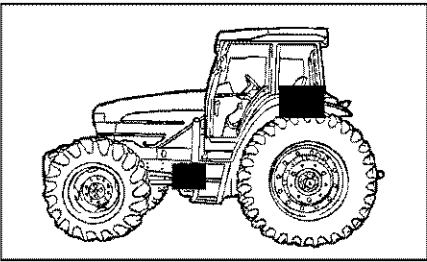
1.89.9/ A SUPPORT GRENSBEPALER - COMPONENTEN

Ref	Onderdeelnummer	Kwt	Beschrijving
1	5199353	1	STUT, GREY, ASSY
2	80412686	1	SPLITPEN,
3	82019234	1	SLUITPEN,
4	5192719	1	PEN,
5	5192720	1	VORK,
6	5192724	1	ANTISCHOKARM,

VAR.904 FOR MODEL 360 ONLY

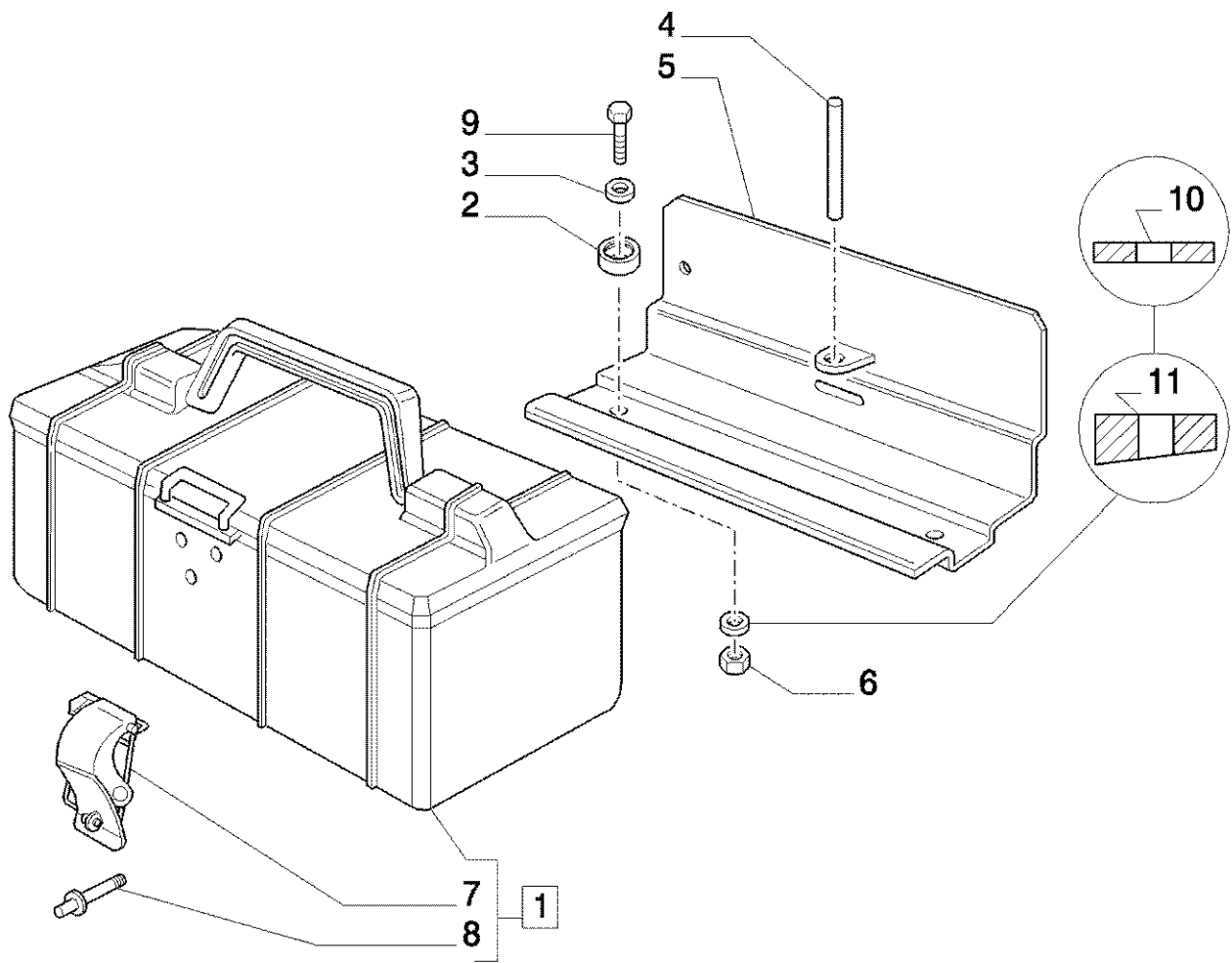
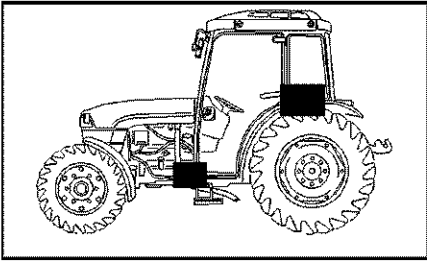


Ref	Onderdeelnummer	Kwt	Beschrijving



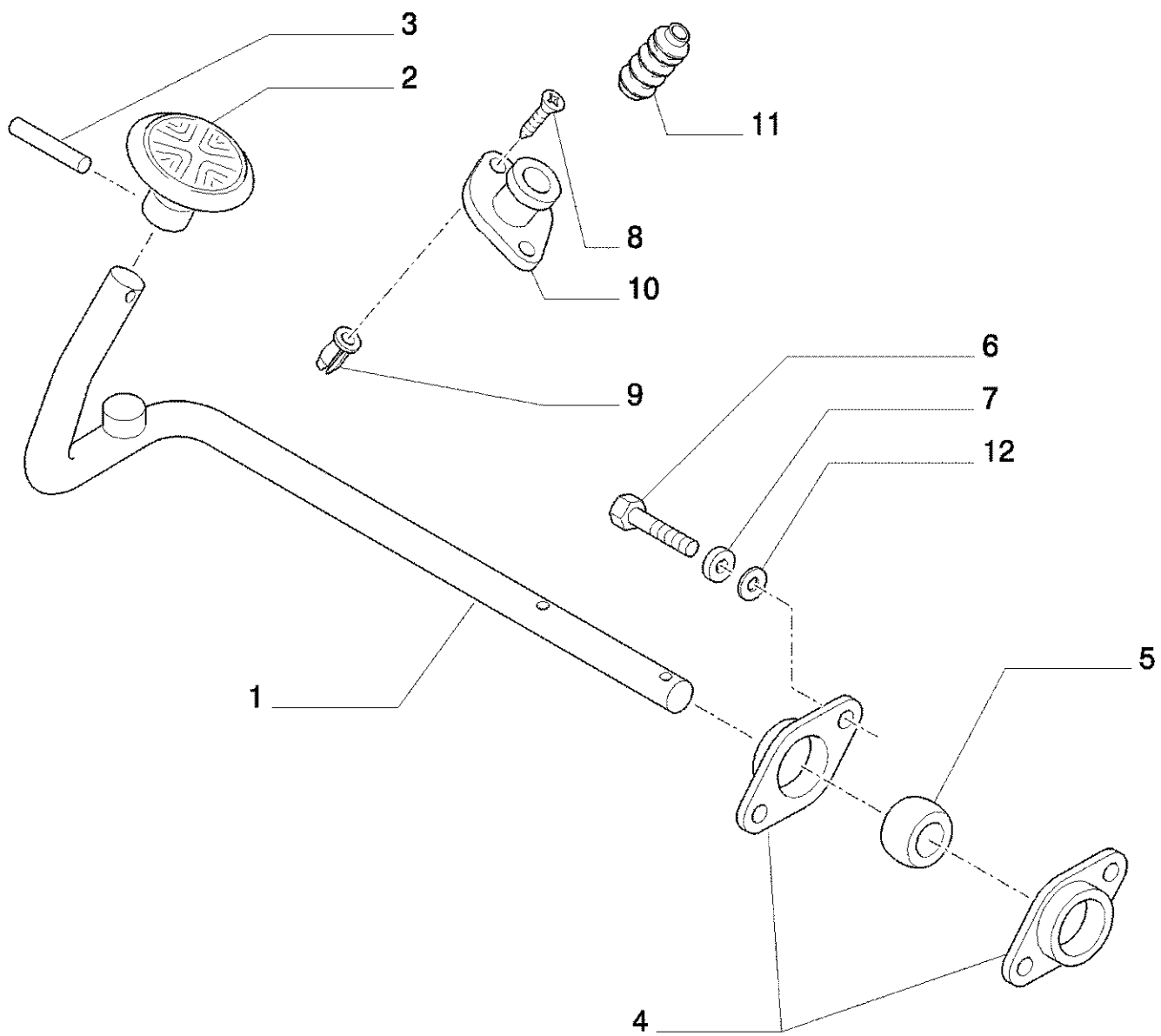
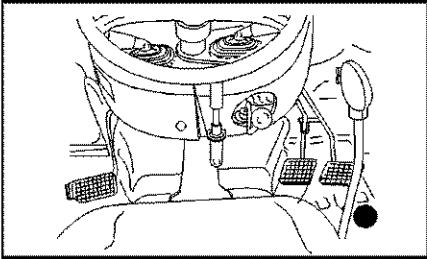
Ref	Onderdeelnummer	Kwt	Beschrijving
1	16100811	1	MOER, M8, CI 8, Grey, Assy
2	12648421	2	SLUITRING, D=8
3	16043824	2	BOUT, Hex, M8 x 30, 8.8, Full Thd,
4	47056607	1	GEREEDSCHAPSKIST,
5	47056608	1	STEUN,
6	5185296	1	AFSTANDSRING,
7	5185297	1	AFSTANDSRING,
8	5185787	2	PROP,

1.90.5(02) GEREEDSCHAPSKASTJE - D4945



Ref	Onderdeelnummer	Kwt	Beschrijving
1	87386543	1	GEREEDSCHAPSKIST, ASSY
2	5185787	2	PROP,
3	12648421	2	SLUITRING, 8x15x3
4	5106675	1	PEN,
5	47130869	1	STEUN,
6	16100811	2	MOER, M8, CI 8,
7	5135576	1	KLINK,
8	14641391	3	KLINKNAGEL, Tr Hd, M3.2 x 8, Aluminum,
9	16043824	2	BOUT, Hex, M8 x 30, 8.8, Full Thd,
10	5185296	1	AFSTANDSRING,
11	5185297	1	AFSTANDSRING,

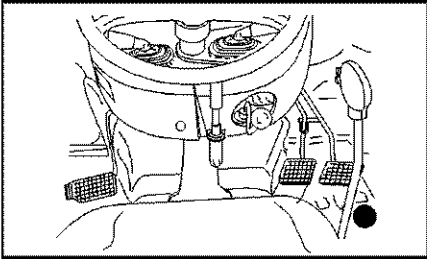
1.92.10(01) BESTURING GASPEDAAL



1.92.10(01) BESTURING GASPEDAAL

Ref	Onderdeelnummer	Kwt	Beschrijving
1	5192357	1	HEFBOOM,
2	87325590	1	Orange
2	5111800	1	PEDAAL, Black
3	13938070	1	SPANSTIFT, M4 x 24, Coiled,
4	5156494	2	FLENS,
5	5176160	1	LAGERBUS,
7	10516474	2	VEERRING, D=6
8	5182260	2	SCHROEF,
9	14115781	2	KABELDOORGANG,
10	5181227	1	BORGVEER,
11	5128714	1	KABELDOORGANG,
12	11194371	2	WASHER, SPRING, Belleville, M6.4,
6	10902224	2	BOUT, Hex, M6 x 16, 8.8, Full Thd,

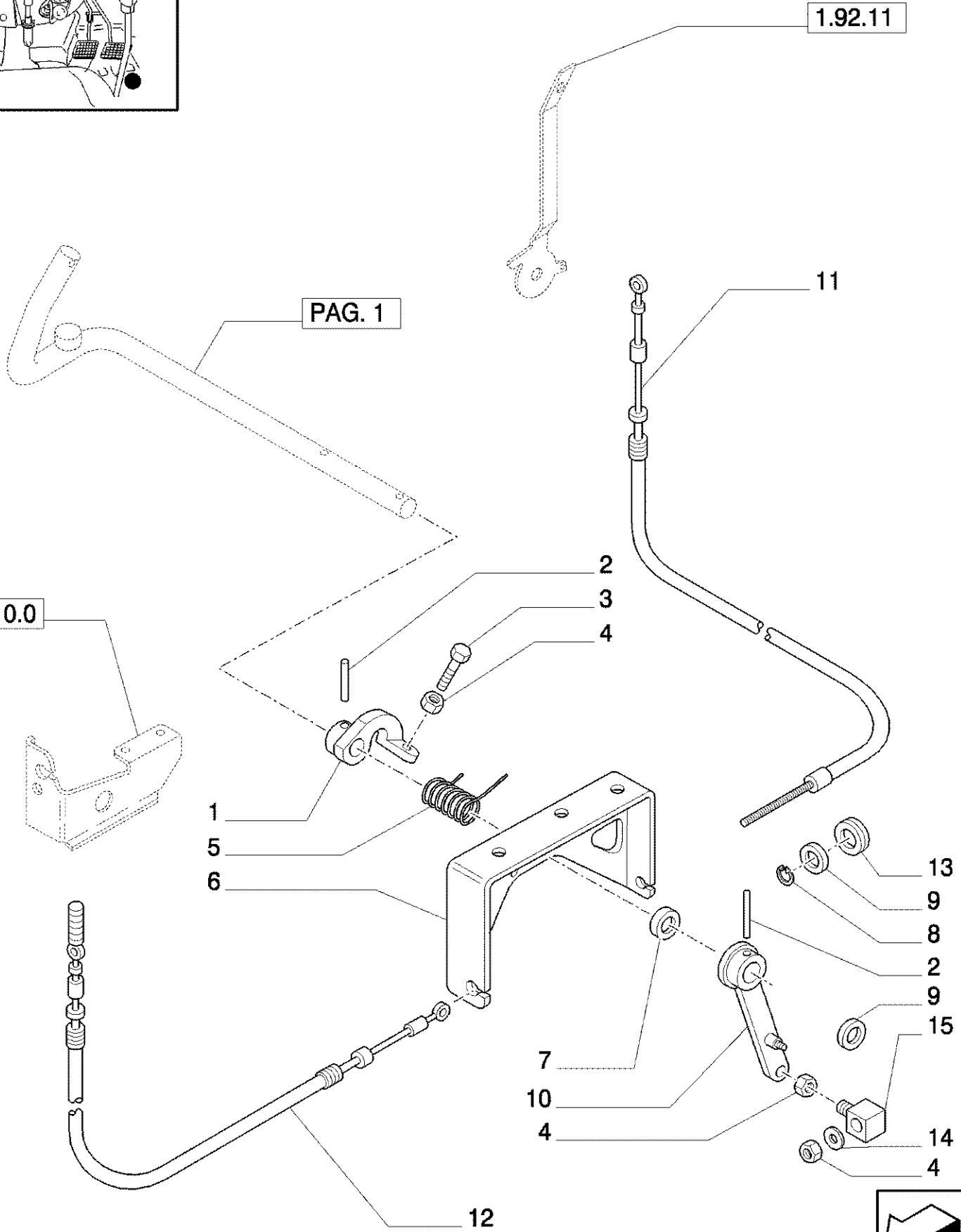
1.92.10(02) BESTURING GASPEDAAL



1.92.11

PAG. 1

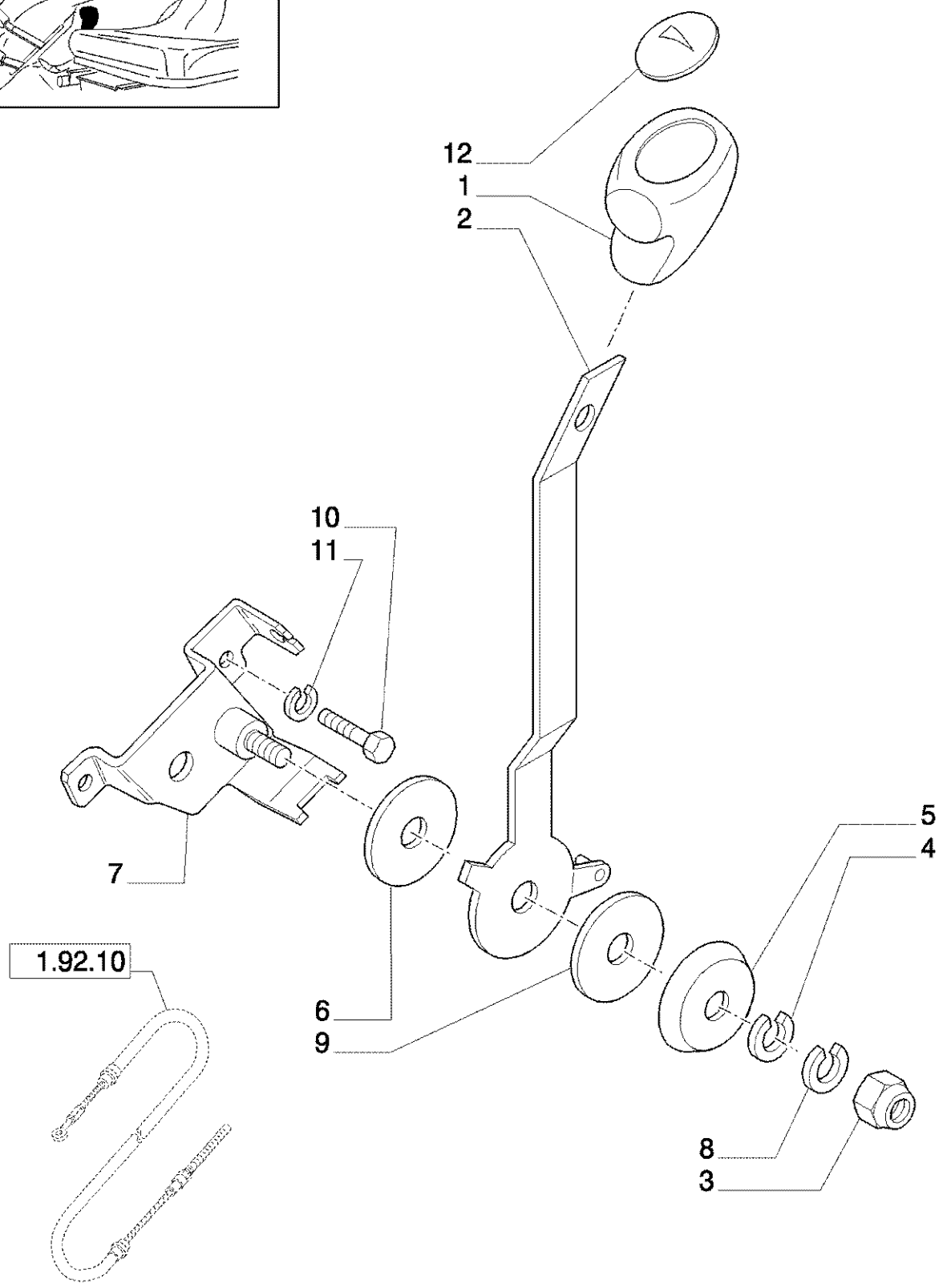
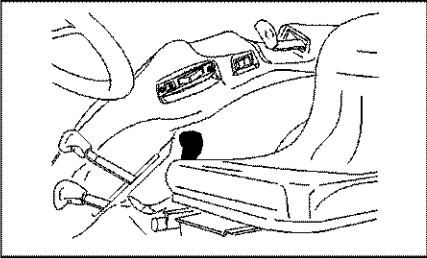
1.10.0



1.92.10(02) BESTURING GASPEDAAL

Ref	Onderdeelnummer	Kwt	Beschrijving
1	5176533	1	HEFBOOM,
2	13938070	2	SPANSTIFT, M4 x 24, Coiled,
3	15212824	1	M6x45
5	5172853	1	VEER,
6	5192293	1	STEUN,
7	5188350	1	AFSTANDSRING,
8	11087871	4	BORGVEER, M7,
9	14499401	1	SLUITRING, M8 x 14 x 1.6,
10	5192292	1	HEFBOOM,
11	5192265	1	TREKKOORDBEDIENING,
12	5192266	1	TREKKOORDBEDIENING,
13	10397680	1	O-RING,
14	12639721	1	SLUITRING, 6x11
15	5171693	1	KLEM,
4	15896221	1	MOER, M6, CI 10,

1.92.10(03) BESTURING GASPEDAAL

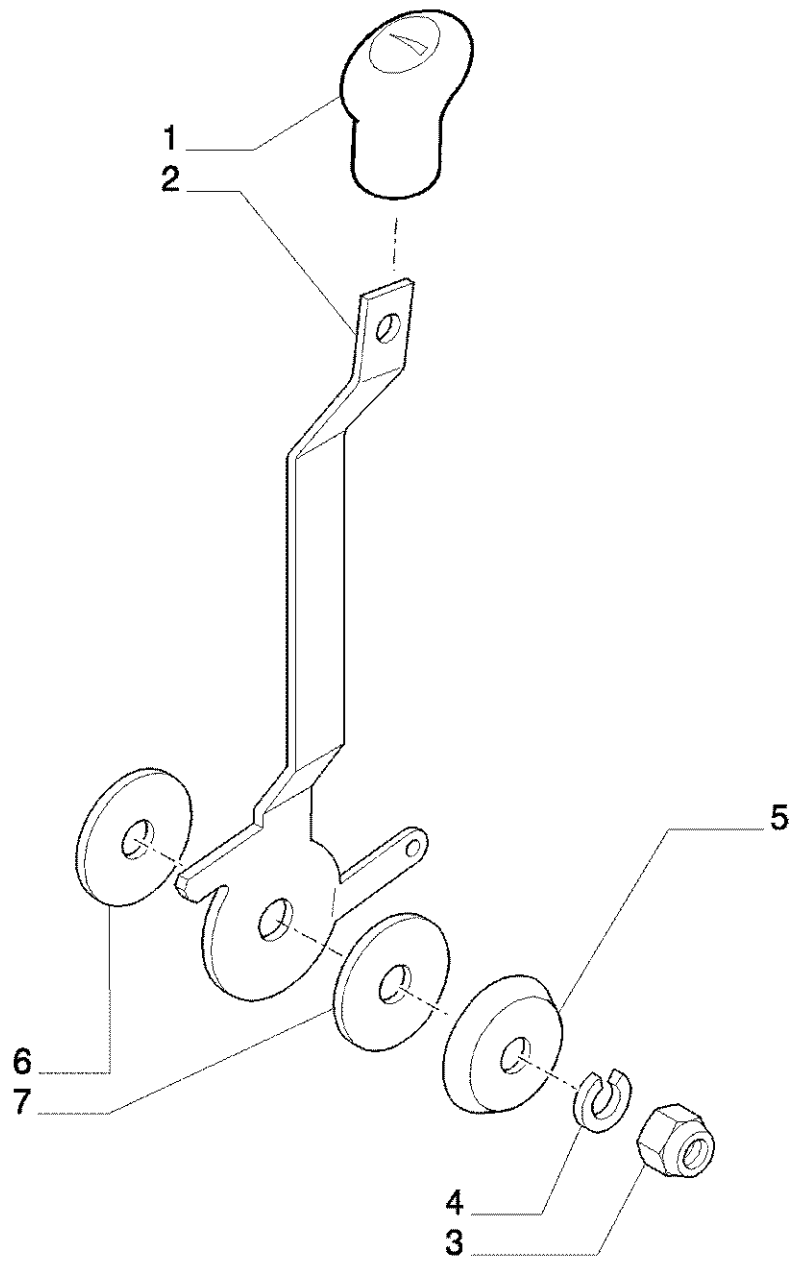
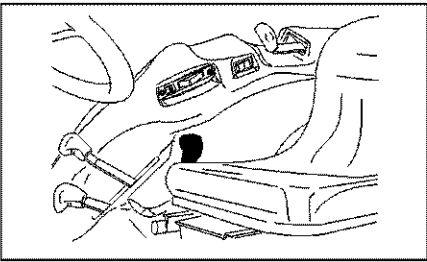


1.92.10

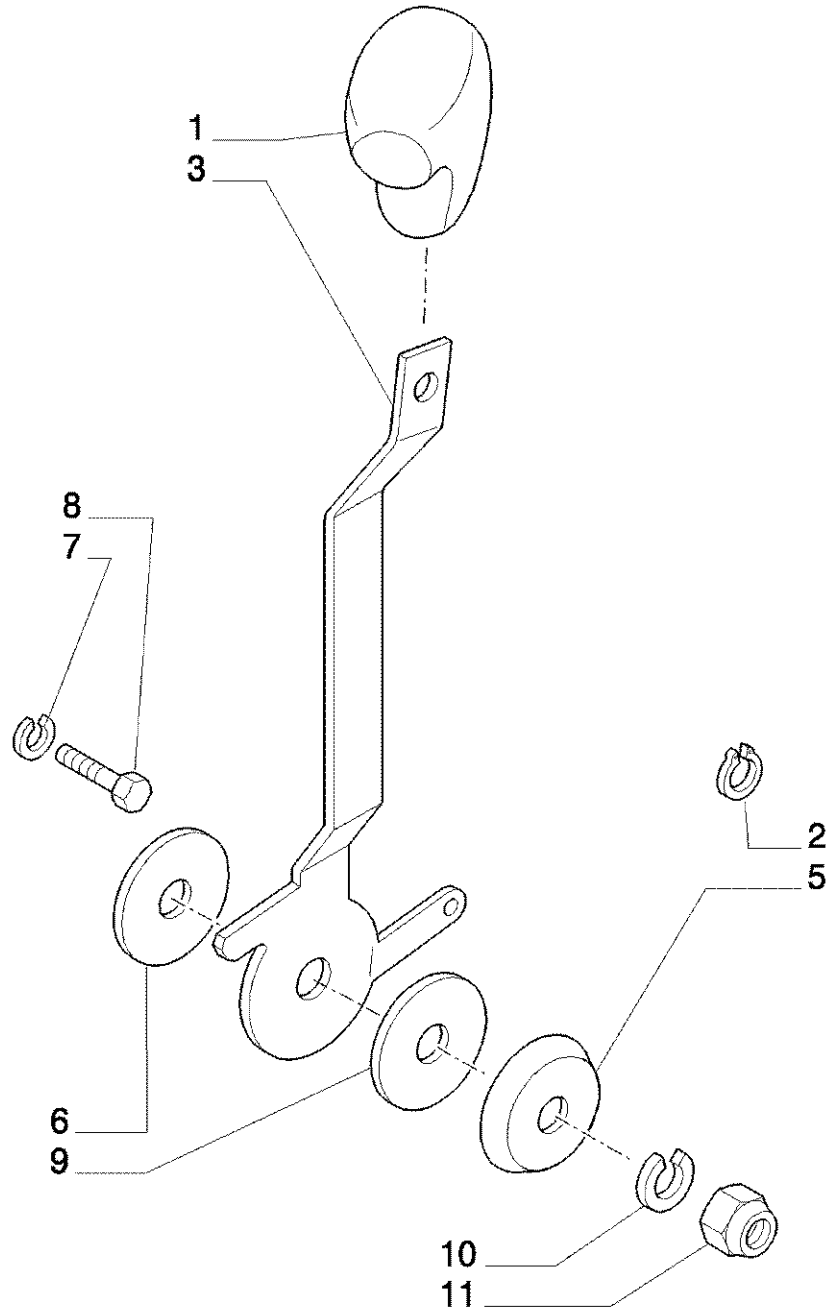
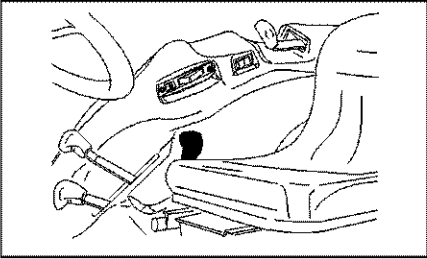


1.92.10(03) BESTURING GASPEDAAL

Ref	Onderdeelnummer	Kwt	Beschrijving
1	47056479	1	
2	5192270	1	HEFBOOM,
3	15506225	1	NUT, LOCK, M12 x 1.25,
4	10403080	1	KABELDOORGANG, D=12
5	87347331	1	VEERRING,
6	5175509	1	SLUITRING, 12.5x54x2
7	5192268	1	STEUN,
8	12646924	1	SLUITRING, M12 x 28 x 3,
9	5175510	1	AFSTANDSRING, 12.5x54x3
10	16043224	2	BOUT, Hex, M8 x 16, 8.8, Full Thd,
11	11193874	2	WASHER, SPRING, Belleville, M8.4, 8x16
12	47056431	1	KOMBEKLEDING,

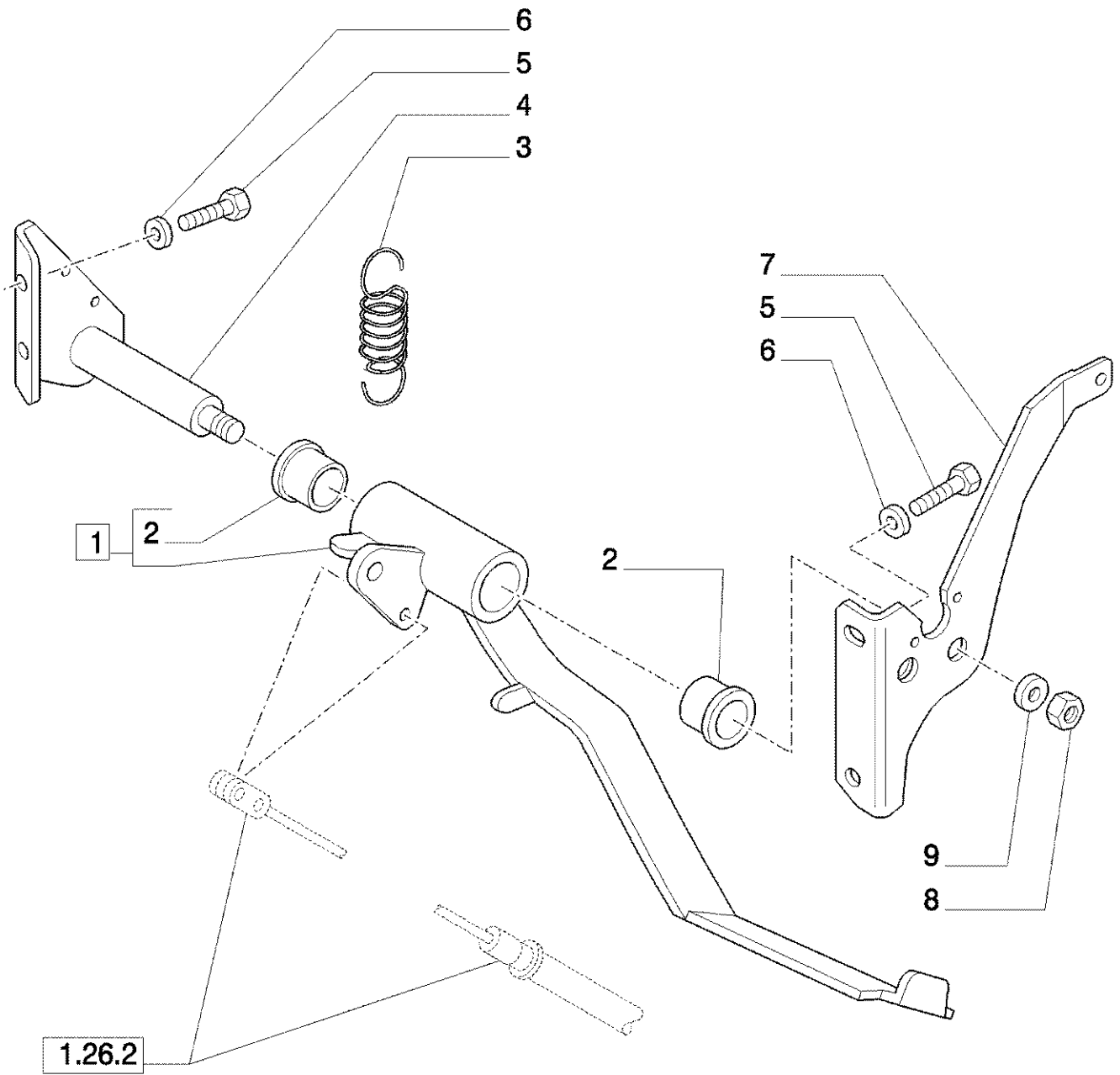
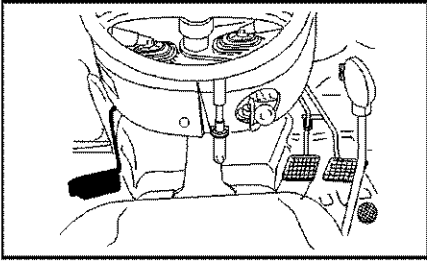


Ref	Onderdeelnummer	Kwt	Beschrijving
1	47056638	1	KNOP,
2	5194560	1	HEFBOOM, , BSN HJE065795
2	87378730	1	HEFBOOM, , ASN HJE065796
3	15506225	1	NUT, LOCK, M12 x 1.25,
4	12646924	1	SLUITRING, M12 x 28 x 3,
5	87347331	1	VEERRING,
6	5175509	1	SLUITRING, 12.5x54x2
7	5175510	1	AFSTANDSRING, 12.5x54x3



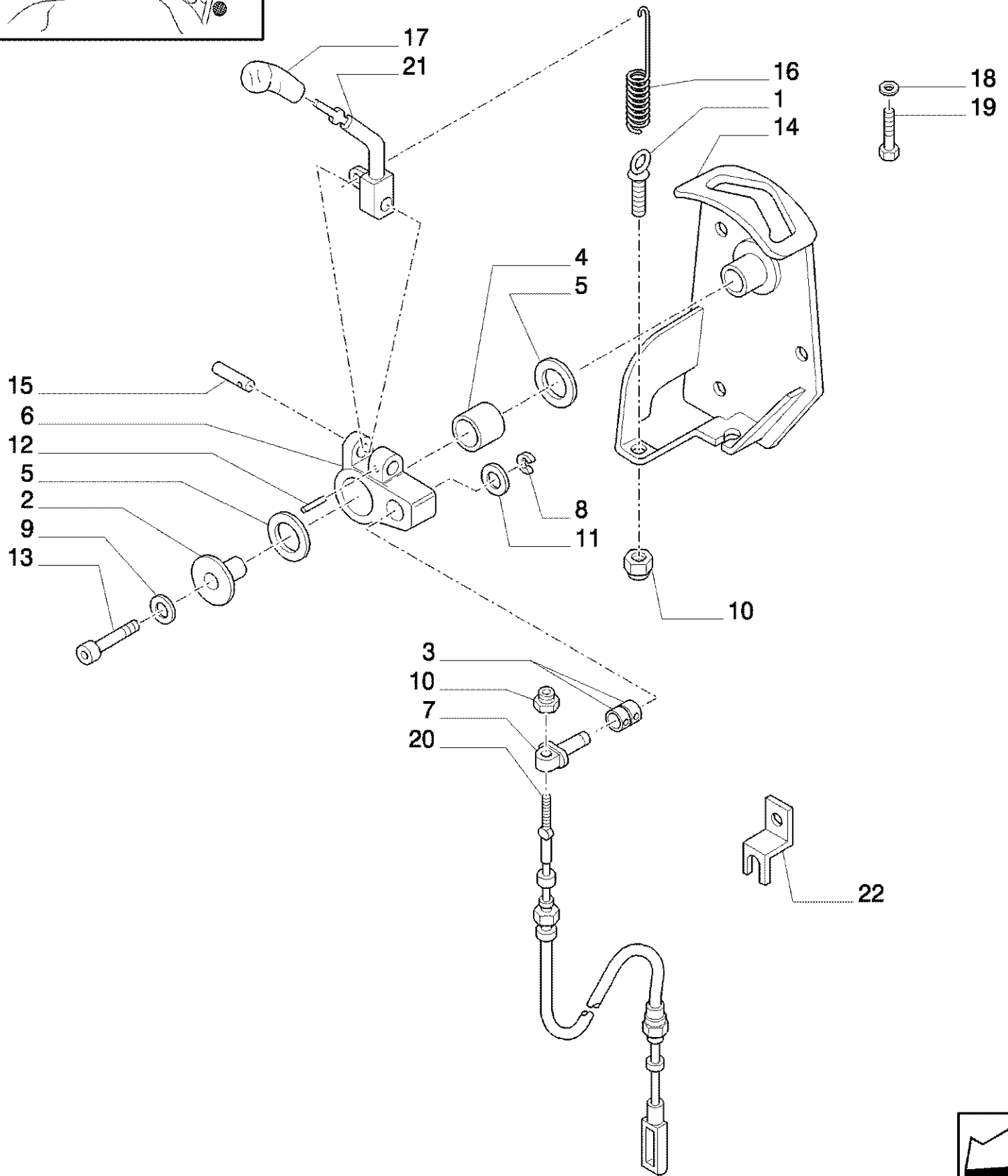
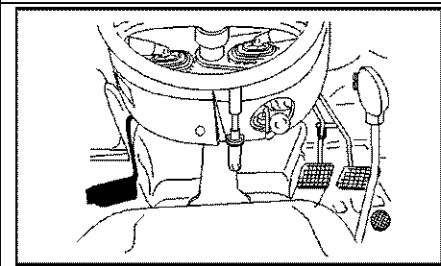
Ref	Onderdeelnummer	Kwt	Beschrijving
1	5197244	1	KNOP, ORANGE
2	11087676	1	BORGVEER, M5,
3	5194560	1	HEFBOOM, , BSN HJE065795
3	87378730	1	HEFBOOM, , ASN HJE065796
4	10403080	1	KABELDOORGANG, D=12
5	87347331	1	VEERRING,
6	5175509	1	SLUITRING, 12.5x54x2
7	11193874	2	WASHER, SPRING, Belleville, M8.4, 8x16
8	16043224	2	BOUT, Hex, M8 x 16, 8.8, Full Thd,
9	5175510	1	AFSTANDSRING, 12.5x54x3
10	12646924	1	SLUITRING, M12 x 28 x 3,
11	15506225	1	NUT, LOCK, M12 x 1.25,

1.92.26(01) PEDAAAL KOPPELING



1.92.26(01) PEDAAAL KOPPELING

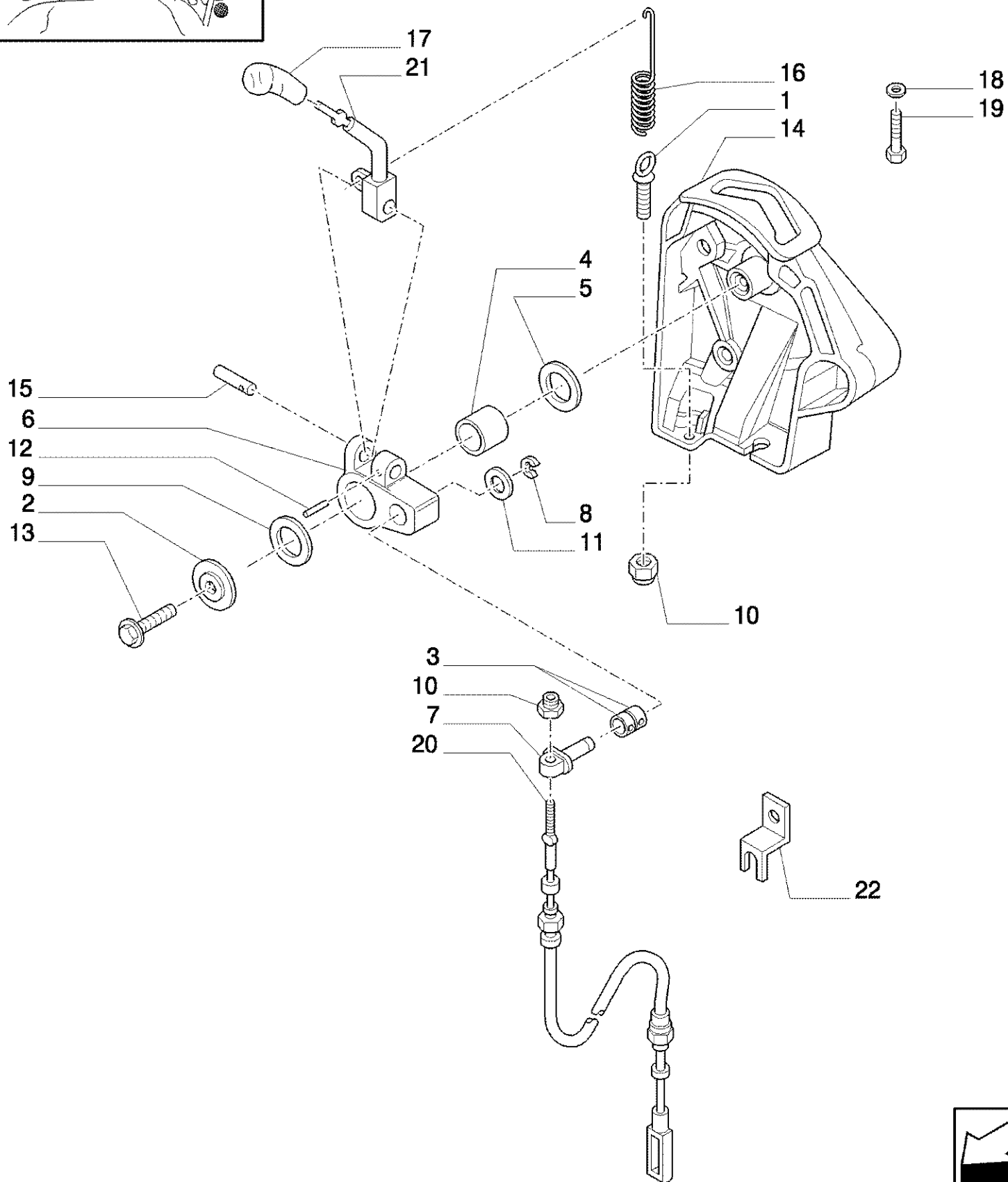
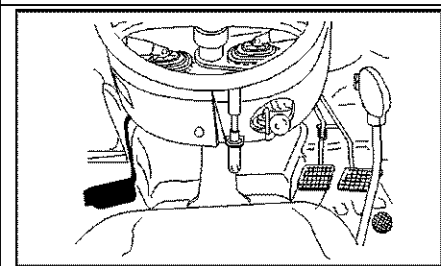
Ref	Onderdeelnummer	Kwt	Beschrijving
1	5174884	1	PEDAAL, ASSY
2	5188075	2	LAGERBUS,
3	5171160	1	VEER,
4	47130713	1	STEUN, RH
5	16043424	4	BOUT, Hex, M8 x 20, 8.8, Full Thd,
6	11193974	4	WASHER, SPRING, Belleville, M8.4, 8x22
7	47130711	1	STEUN, LH
9	11190879	1	WASHER, SPRING, Belleville, M13, D=12
8	16101524	1	MOER, M12 x 1.25, CI 10,



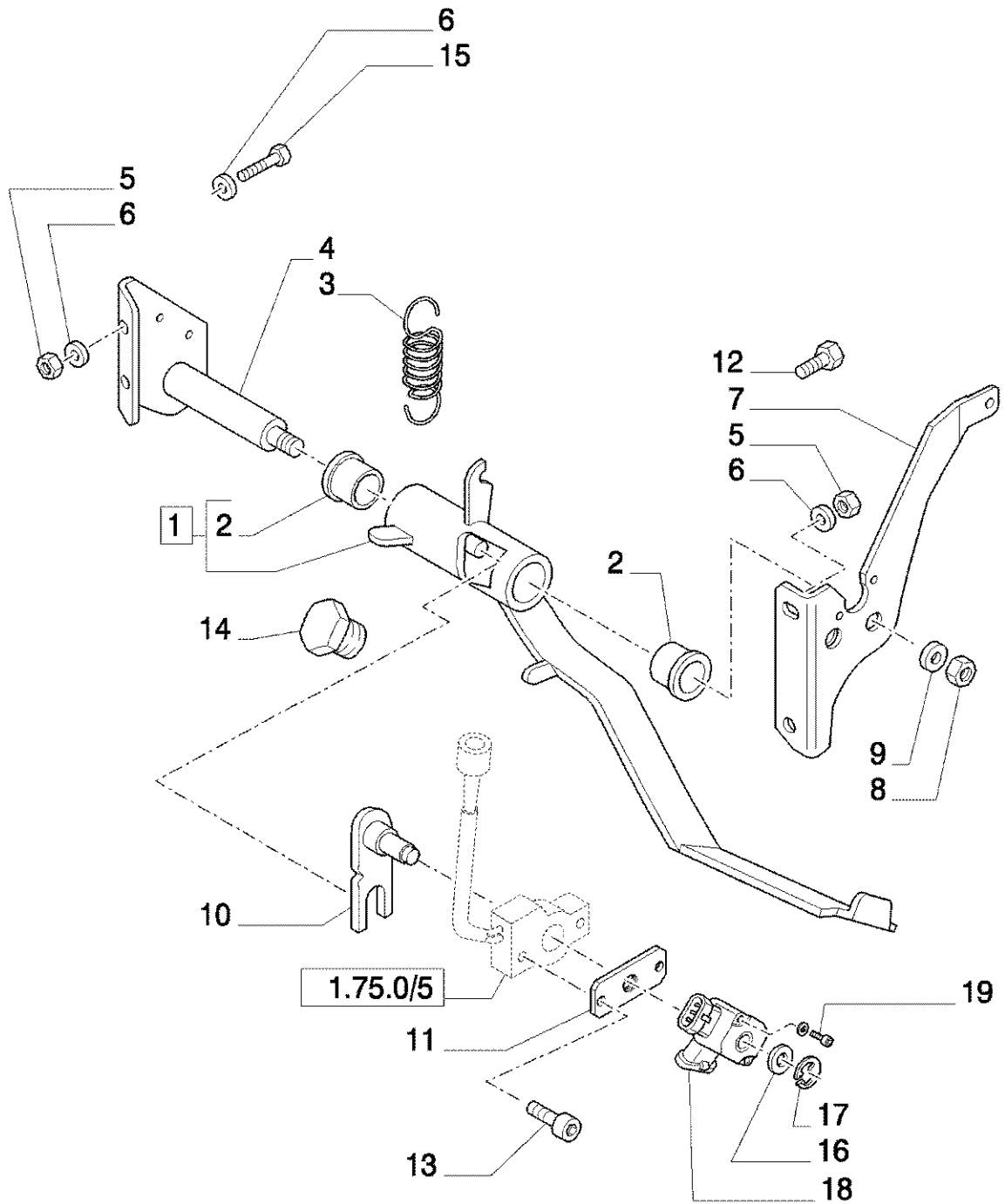
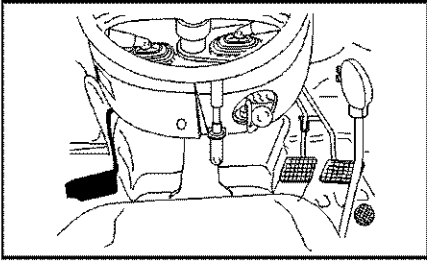
1.92.26(02) BESTURING KRACHTTAFNAME

Ref	Onderdeelnummer	Kwt	Beschrijving
1	5115351	1	HAAK,
2	5183865	1	LAGERBUS,
3	5188230	1	STEL RINGEN +0.8, D=8
4	5191013	1	ROLLENKOOI, D=22
5	5191656	2	INSOLATIERING,
6	5191700	1	LAGERBUS,
7	47131077	1	PEN,
8	87016950	1	RING, SNAP, M7,
9	11197774	1	WASHER, SPRING, Belleville, M6.4,
10	12574221	1	NUT, LOCK, M6 x 1, CI 10,
11	12638501	1	SLUITRING, M8 x 15 x 1.5,
12	14159680	1	SPANSTIFT, 2.5x14
13	14432224	1	SCHROEF, Hex Soc Hd, M6 x 22, 8.8,
14	47123109	1	STEUN,
15	47123110	1	PEN,
16	47123119	1	VEER,
17	47127321	1	KNOP,
18	11193974	3	WASHER, SPRING, Belleville, M8.4, 8x22
19	16043124	3	BOUT, Hex, M8 x 14, 8.8, Full Thd,
20	47123120	1	KABEL,
21	5187788	1	STEEKVORK,
22	5120229	1	PLAAT,

1.92.26(03) BESTURING KRACHTTAFNAME

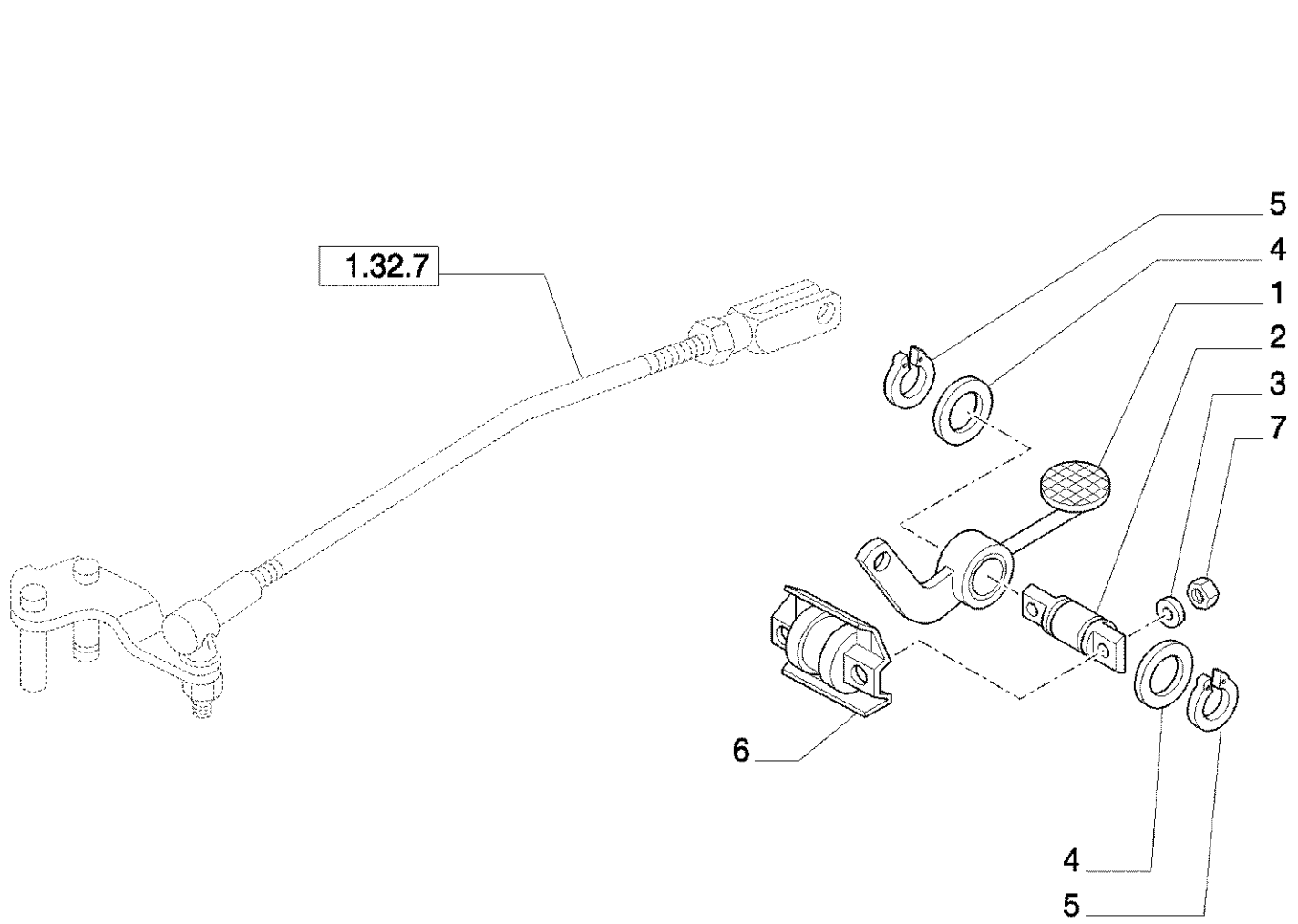
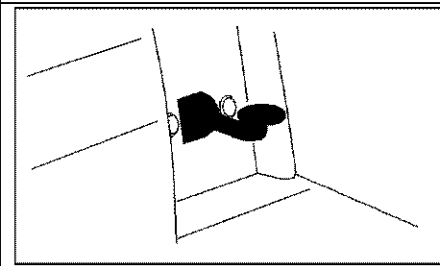


Ref	Onderdeelnummer	Kwt	Beschrijving
1	5115351	1	HAAK,
2	87528262	1	
3	5188230	2	STEL RINGEN +0.8, D=8
4	5191013	1	ROLLENKOOI, D=22
5	5191656	1	INSOLATIERING,
6	5191700	1	LAGERBUS,
7	47131077	1	PEN,
8	11087874	1	
9	87528222	1	M6
10	12574221	1	NUT, LOCK, M6 x 1, CI 10,
11	12638501	1	SLUITRING, M8 x 15 x 1.5,
12	14159680	1	SPANSTIFT, 2.5x14
13	15924904	1	
14	87325898	1	
15	47123110	1	PEN,
16	47123119	1	VEER,
17	47127321	1	KNOP,
18	11193874	3	WASHER, SPRING, Belleville, M8.4, 8x22
19	14306624	3	SCHROEF, Hex Soc Hd, M8 x 35, 10.9,
20	47123120	1	KABEL,
21	5187788	1	STEEKVORK,
22	5120229	1	PLAAT,



Ref	Onderdeelnummer	Kwt	Beschrijving
1	5175165	1	PEDAAL, ASSY
2	5188075	2	LAGERBUS,
3	5177552	1	VEER,
4	47130713	1	STEUN, RH
5	43362	4	MOER, M8, CI 10,
6	11193974	4	WASHER, SPRING, Belleville, M8.4,
7	47130711	1	STEUN, LH
8	16101524	1	MOER, M12 x 1.25, CI 10,
9	11190879	1	WASHER, SPRING, Belleville, M13, M12x30x3
10	47132765	1	AS,
11	47133571	1	PLAAT,
12	13030421	1	SCHROEF, Hex Soc Hd, M10 x 1.25 x 22, 8.8, Full Thd, M10x22
13	13271911	2	SCHROEF, Cross Pan Hd, M4 x 10,
14	5179011	1	PLUG,
15	16043424	1	BOUT, Hex, M8 x 20, 8.8, Full Thd,
16	14496504	1	SLUITRING, M8 x 17 x 1.6,
17	11087876	1	BORGVEER, M7,
18	87543715	1	POTENTIOMETER, ROTARY POSITION SENSOR
19	10978521	2	BOUT, Hex, M5 x 35, 8.8,

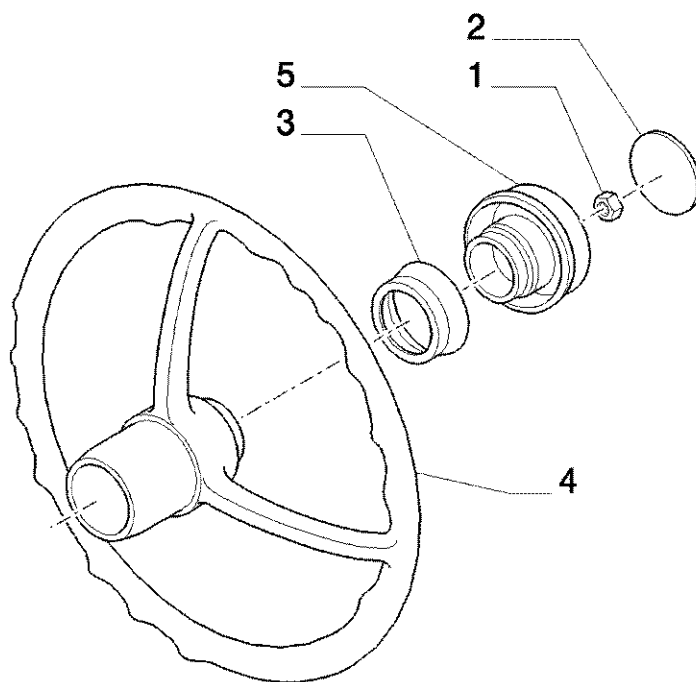
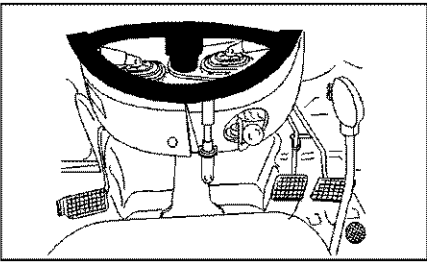
1.92.32 PEDAAL BESTURING BLOKKERING DIFFERENTIEEL



1.92.32 PEDAAL BESTURING BLOKKERING DIFFERENTIEEL

Ref	Onderdeelnummer	Kwt	Beschrijving
1	5170640	1	PEDAAL,
2	5126191	1	PEN,
3	11193874	2	WASHER, SPRING, Belleville, M8.4, 8x16
4	5126031	2	SLUITRING, D = 35 x 21 x 2
5	11066976	2	RING, SNAP, M21, Ext,
6	5134730	1	DEKSEL,
7	16100811	2	MOER, M8, CI 8,

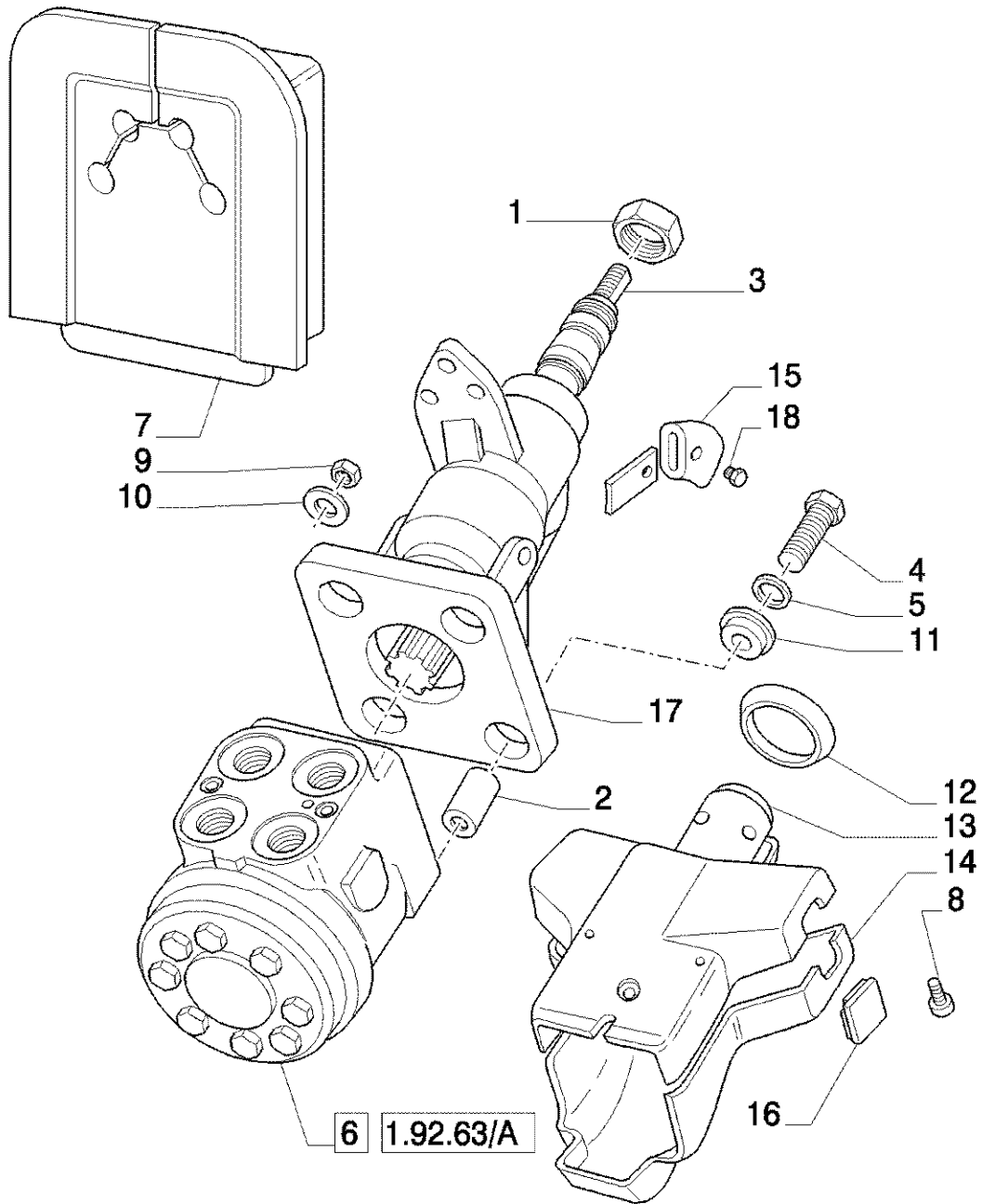
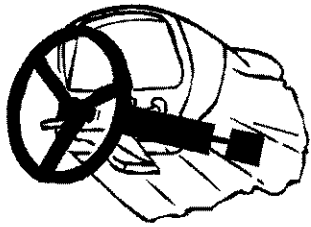
1.92.63(01) STUURWIEL



1.92.63(01) STUURWIEL

Ref	Onderdeelnummer	Kwt	Beschrijving
1	16100811	1	MOER, M8, CI 8,
2	47056728	1	DECAL,
3	5175326	1	O-RING,
4	5174046	1	STUURWIEL,
5	5173996	1	SLEEVE,

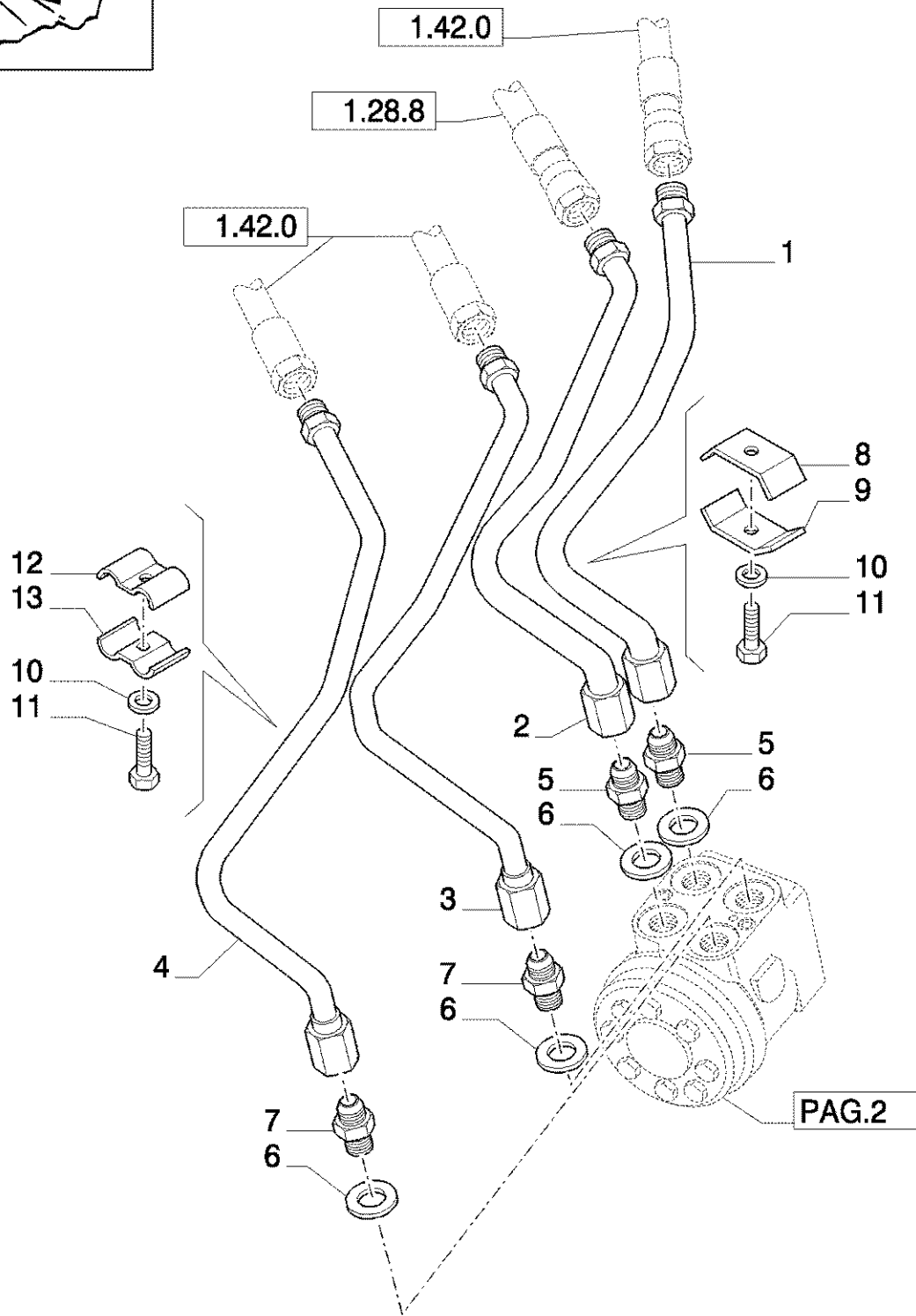
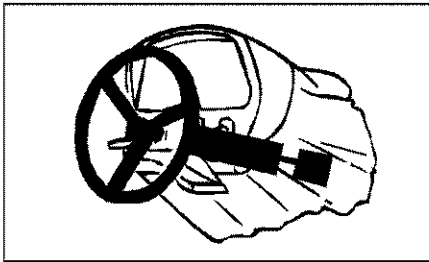
1.92.63(02) STUURKKOLOM



1.92.63(02) STUURKKOLOM

Ref	Onderdeelnummer	Kwt	Beschrijving
1	10726621	1	MOER, Thin, M18 x 1.5, CI 05,
2	5197925	4	AFSTANDSRING,
3	5176081	1	STUURKKOLOM,
4	11106624	4	BOUT, Hex, M10 x 35, 8.8, Full Thd,
5	12626224	4	SLUITRING, M10 x 25 x 3,
6	5173214	1	HYDRAUL. STUURINRICHTING, DANFOSS
6	5196527	1	HYDRAUL. STUURINRICHTING, OGNIBENE
7	5174492	1	PROP,
8	13273811	2	SCHROEF, Cross Pan Hd, M5 x 8,
8	12674404	4	ZELFTAPPENDE SCHROEF, Csk Hd, M5 x 16,
9	43362	3	MOER, M8, CI 10,
10	11193974	3	WASHER, SPRING, Belleville, M8.4,
11	5197926	4	LAGERBUS,
12	5175327	1	RING,
13	5191688	1	HALVE HULS, UPPER
14	5192884	1	HALVE HULS, LOWER
15	87302009	1	KNOP,
16	5184014	1	PLUG,
17	5197927	1	AFSTANDSRING,
18	14418924	1	M4x8
18	13797813	1	SCHROEF, M6x10

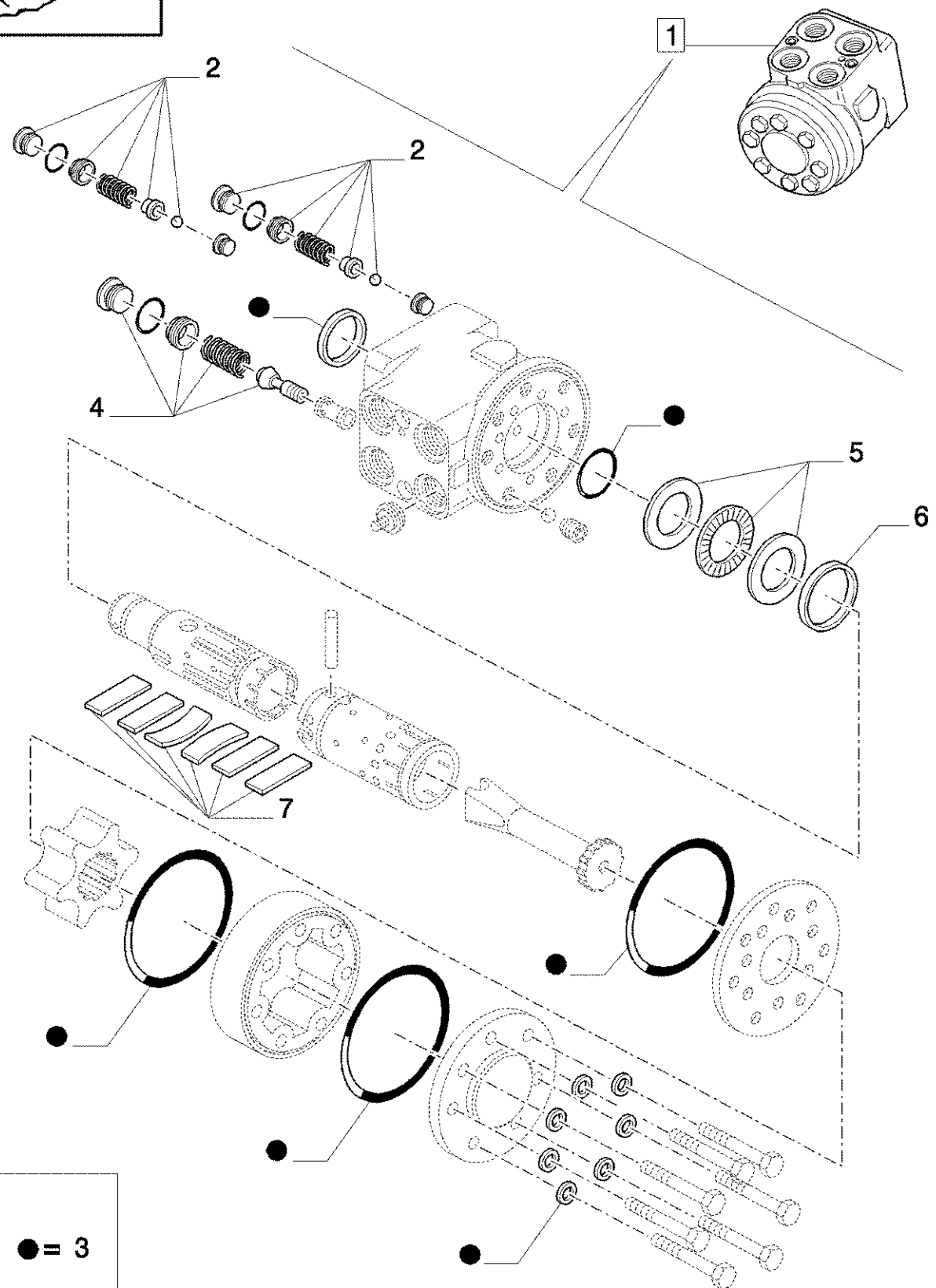
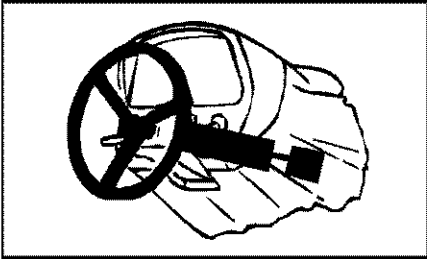
1.92.63(03) LEIDINGEN WATERLEIDING



1.92.63(03) LEIDINGEN WATERLEIDING

Ref	Onderdeelnummer	Kwt	Beschrijving
1	5196759	1	VASTE BUIS, IN
2	5196761	1	VASTE BUIS, OUT
3	5196763	1	VASTE BUIS, LH
4	5196765	1	VASTE BUIS, RH
5	5158807	2	VERBINDING, 7/8-14, 1/2 675
6	5170555	4	SLUITRING, 1/2"
7	5174421	2	VERBINDING, 3/4-16, 1/2 675
8	5193549	1	KLEM, M6
9	5193550	1	KLEM,
12	5180016	1	STEUNBEUGEL, M6
13	5180153	1	STEUNBEUGEL,
10	86517328	2	VEERRING, M6,
11	10902624	2	BOUT, Hex, M6 x 25, 8.8, Full Thd,

1.92.63/ A(01) HYDROGELEIDER - COMPONENTEN



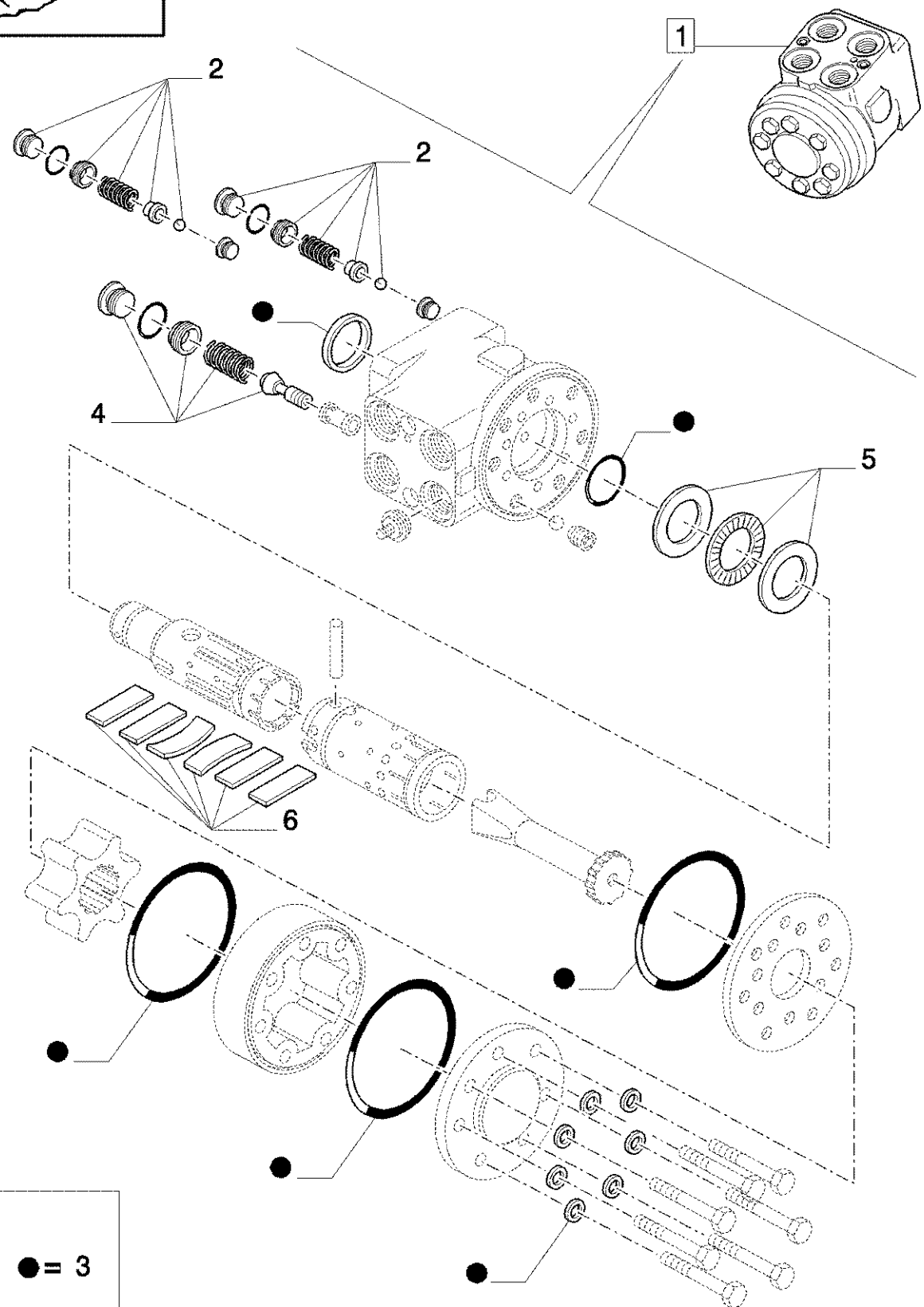
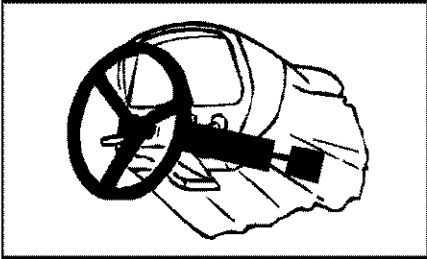
KIT

● = 3



1.92.63/ A(01) HYDROGELEIDER - COMPONENTEN

Ref	Onderdeelnummer	Kwt	Beschrijving
1	5196527	1	HYDRAUL. STUURINRICHTING, DANFOSS, ASSY
2	9970370	2	KLEP, HYDRAULISCH,
3	9970369	1	DICHTINGSKIT,
4	9966588	1	KLEP, HYDRAULISCH,
5	71314915	1	KIT,
6	9288137	1	RING,
7	9966587	1	KIT,



KIT

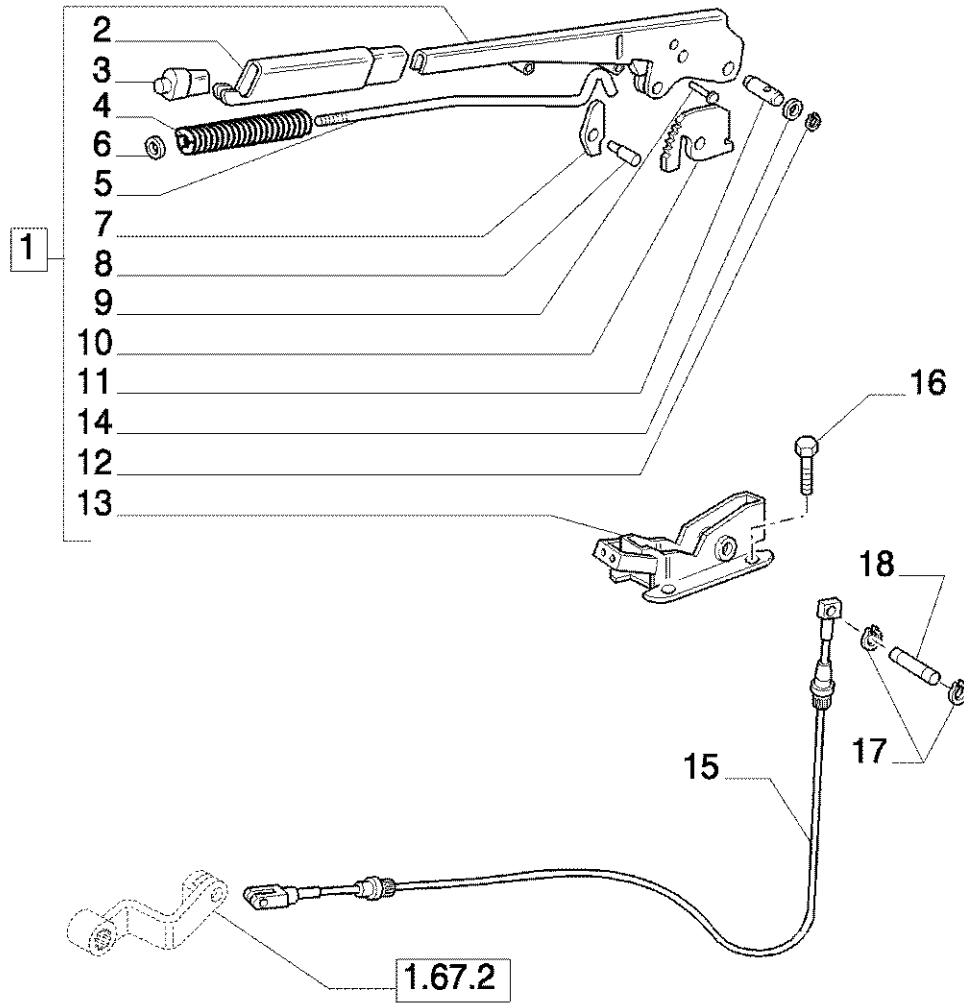
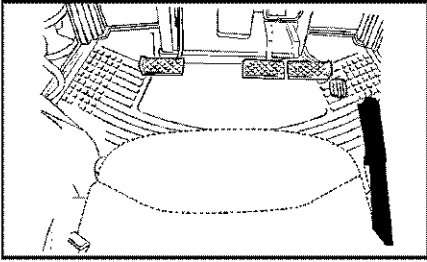
● = 3



1.92.63/ A(02) HYDROGELEIDER - COMPONENTEN

Ref	Onderdeelnummer	Kwt	Beschrijving
1	5196527	1	HYDRAUL. STUURINRICHTING, OGNIBENE, ASSY
2	5196609	2	KIT,
3	5196607	1	KIT,
4	5196608	1	KIT,
5	5196528	1	KIT,
6	5196606	1	KIT,

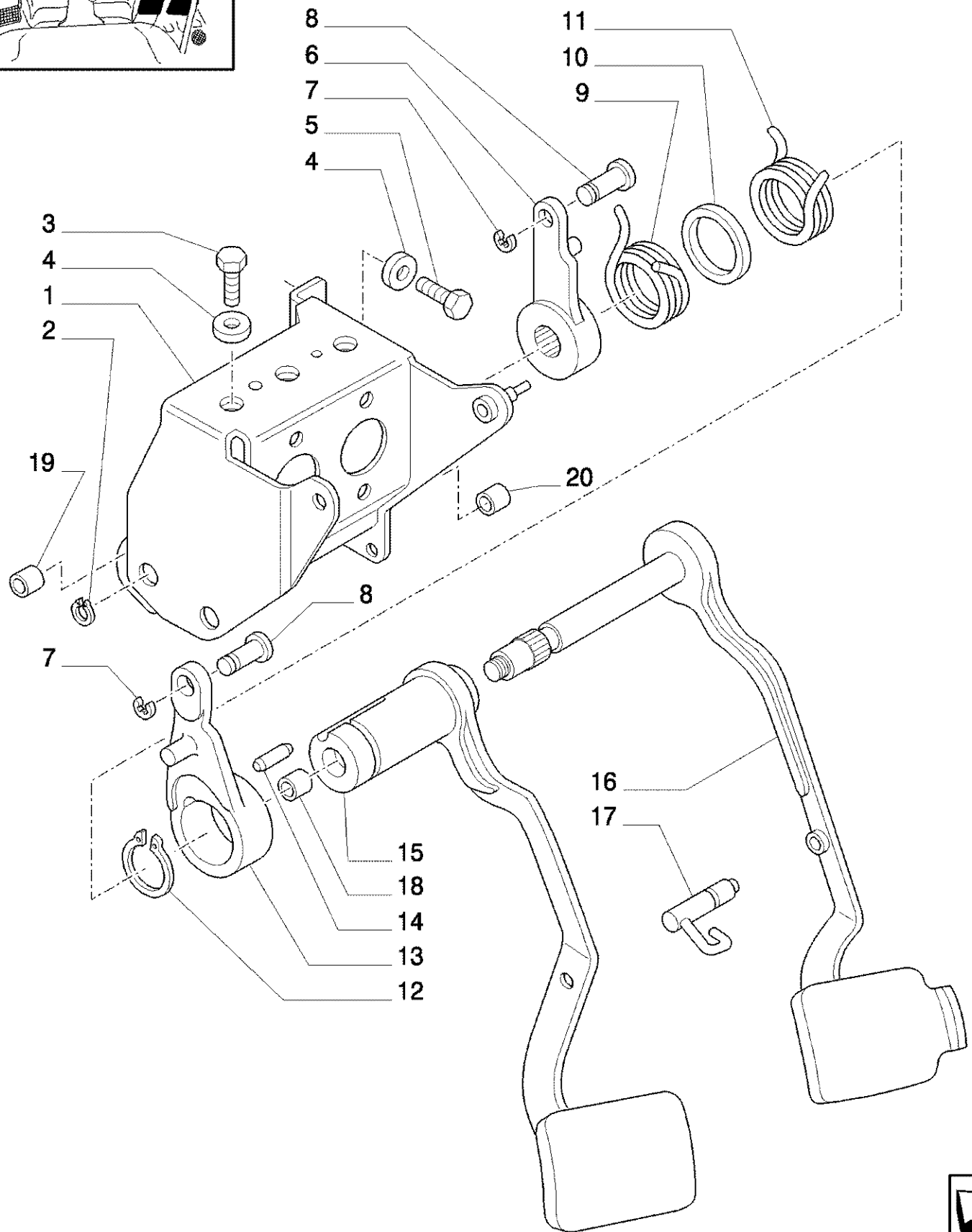
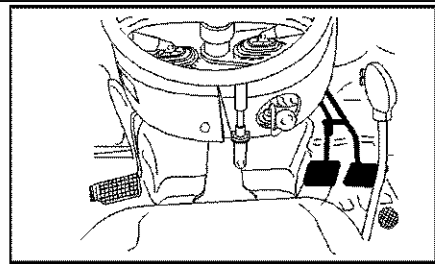
1.92.67 BESTURING REMMEN



1.92.67 BESTURING REMMEN

Ref	Onderdeelnummer	Kwt	Beschrijving
1	47132291	1	HEFBOOM, ASSY
2	5105572	1	HANDGREEP,
3	4985122	1	KNOP,
4	5105729	1	VEER,
5	47132115	1	TREKSTANG,
6	5110154	1	SLUITRING, 5x14
7	47132116	1	TAND,
8	5110157	1	PEN,
9	4985127	1	KLINKNAGEL,
10	47132110	1	DRUKSTANG,
11	4988275	1	PEN,
12	13400773	2	SLUITRING,
13	47132113	1	STEUN,
14	11193874	4	WASHER, SPRING, Belleville, M8.4, 8x14
15	47132181	1	KABEL,
16	80120228	4	SCHROEF, M8x20
17	89990741	4	RING, SNAP, D=8
18	5105280	1	PEN,

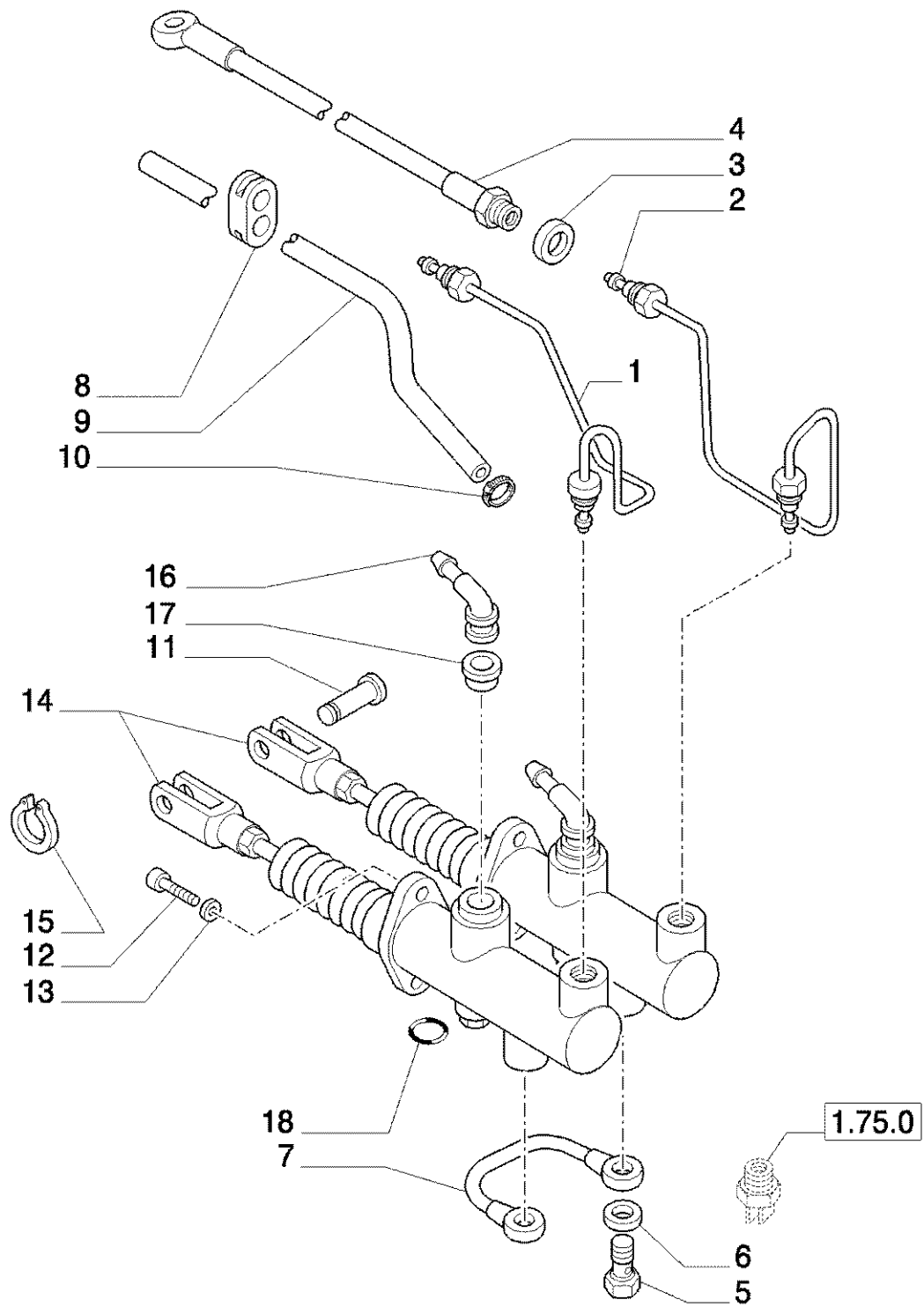
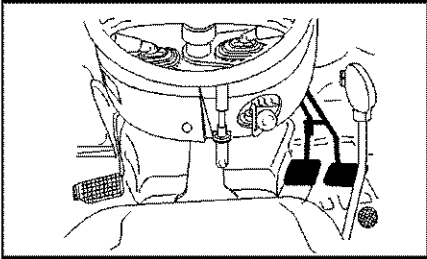
1.92.68(01) PEDDAAL REMMEN



1.92.68(01) PEDAAL REMMEN

Ref	Onderdeelnummer	Kwt	Beschrijving
1	5175538	1	STEUN,
2	11065874	1	BORGVEER, M11,
3	15970624	4	BOUT, Hex, M10 x 1.25 x 22, 8.8, Full Thd,
4	11190574	6	WASHER, SPRING, Belleville, M10.5,
5	15970424	2	BOUT, Hex, M10 x 1.25 x 18, 8.8, Full Thd,
6	5175528	1	HEFBOOM, RH
7	11064174	2	KLEM,
8	5155381	2	PEN,
9	5168888	1	VEER, RH
10	5177370	1	AFSTANDSRING,
11	5171174	1	VEER, LH
12	11386774	1	RING, SNAP, M45, Ext,
13	5175527	1	HEFBOOM, LH
15	5180471	1	PEDAAL, INCL.18
16	5180474	1	PEDAAL, ASSY
17	5168890	1	PEN,
18	5180477	2	LAGERBUS,
19	5170478	1	
20	5172873	1	LAGERBUS,

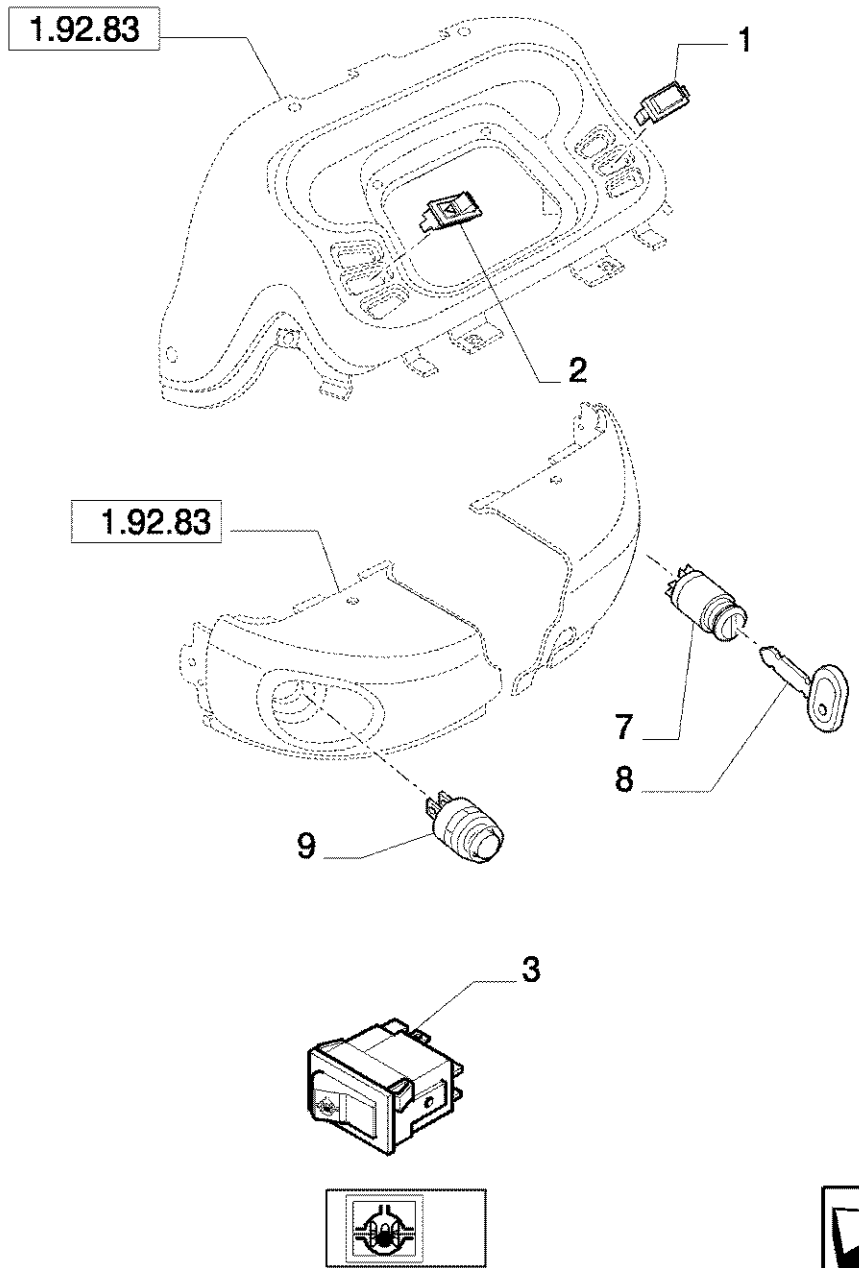
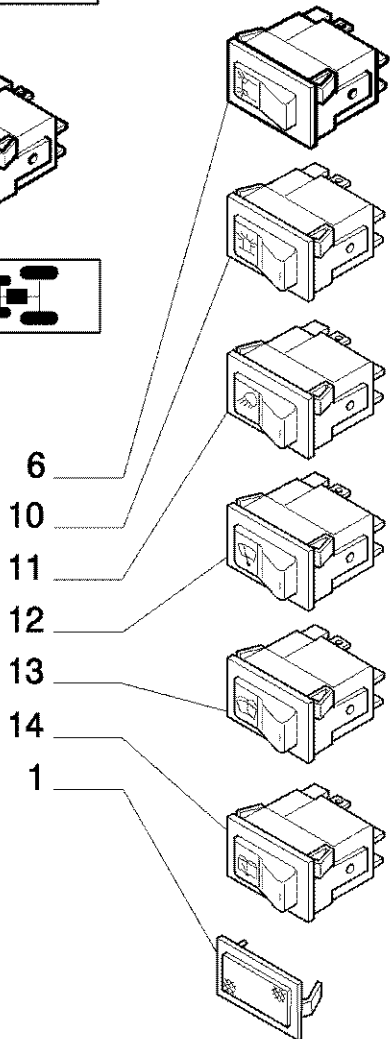
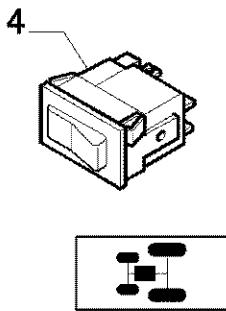
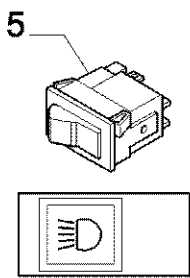
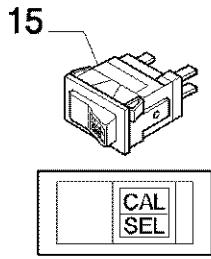
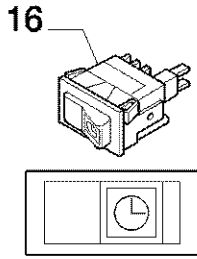
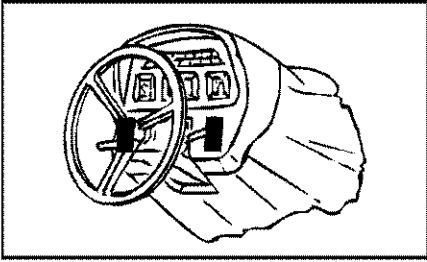
1.92.68(02) REMLEIDINGEN



1.92.68(02) REMLEIDINGEN

Ref	Onderdeelnummer	Kwt	Beschrijving
1	5180191	1	REMLEIDING, RH
2	5180189	1	REMLEIDING, LH
3	10718114	2	NUT, LOCK, M16 x 1, CI 04,
4	5155700	2	FLEXIBELE SLANG,
5	5155703	2	VERBINDINGSBOUT, M12x22
6	4858607	4	WASHER, COPPER,
7	5155701	1	BUISJE,
8	5172724	1	ISOLATIEBLOK,
9	19053182	MT	FLEXIBELE SLANG,
10	10186590	2	BUIKLEM, M11-13, Worm,
11	5155381	2	PEN,
12	80120228	4	SCHROEF, M8x20
13	11193874	4	WASHER, SPRING, Belleville, M8.4,
14	87354670	2	POMP, , D5388-
14	5177993	2	HOOFDCYLINDERREM, INCL.REF. 16,17,18, -C5388
15	11088076	1	BORGVEER, M10,
16	9970260	2	VERBINDING,
17	9966201	2	DICHTINGSSTUK,
18	2852057	2	DICHTINGSSTUK,

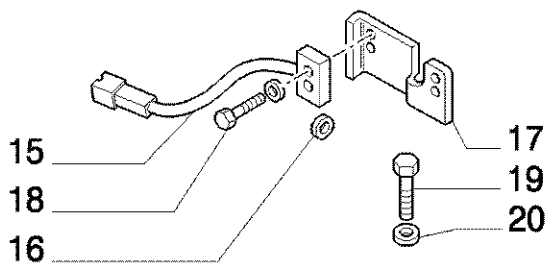
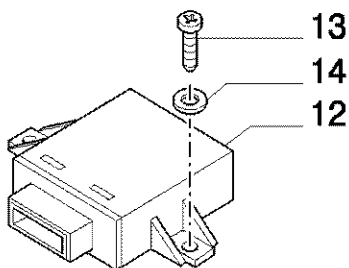
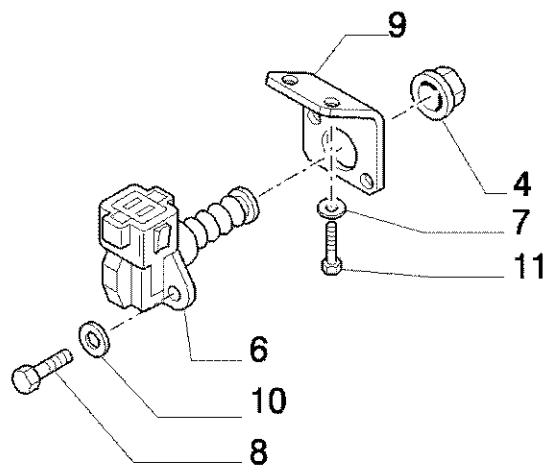
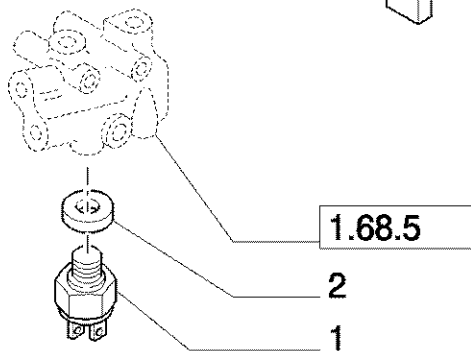
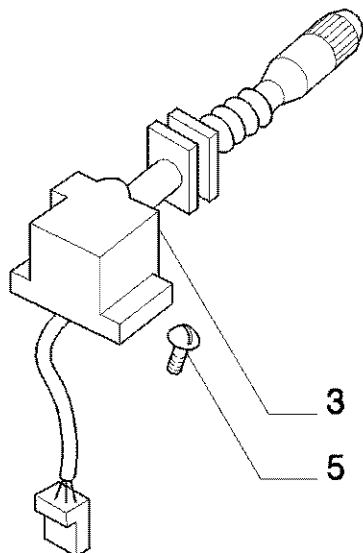
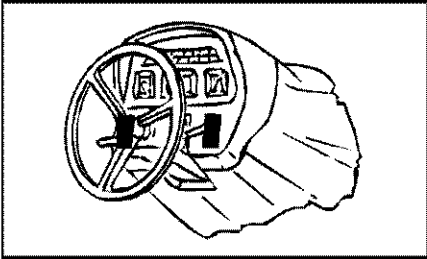
1.92.74(01) ELEKTRISCHE BESTUURMECHANISMEN



1.92.74(01) ELEKTRISCHE BESTUURMECHANISMEN

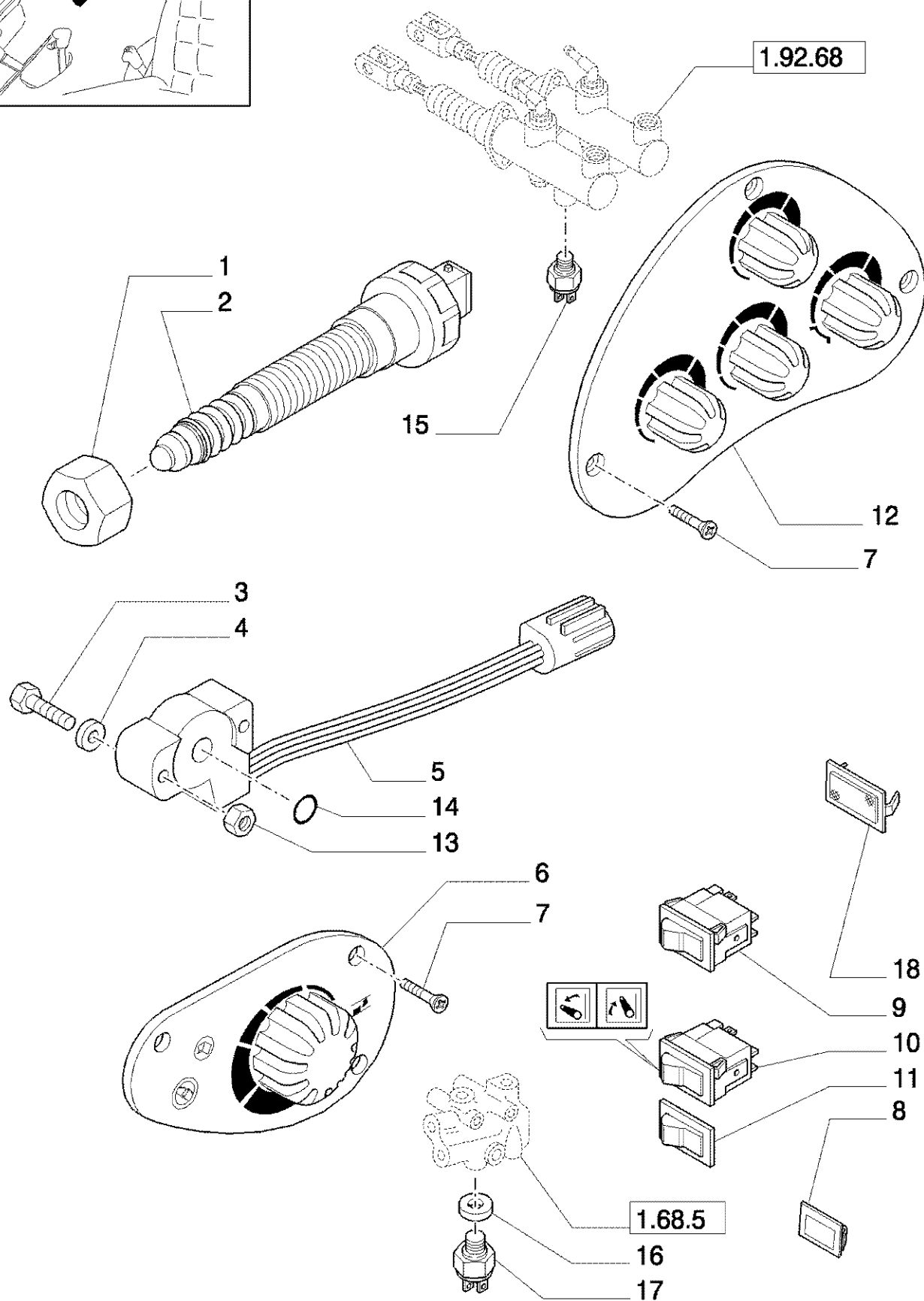
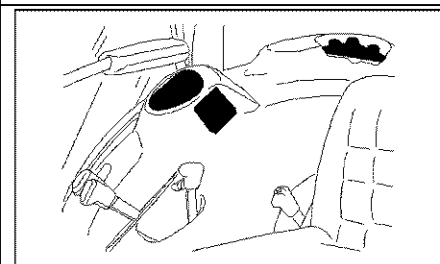
Ref	Onderdeelnummer	Kwt	Beschrijving
1	5151033	1	PLUG,
1	5166218	AR	SPOEL, Blanking
2	5197918	1	SCHAKELAAR, RICHTINGSAAANW, HAZARD
3	47056832	1	SCHAKELAAR, DIFF. BLOCK., For VAR. 065-066-323-323/1
4	47127952	1	SCHAKELAAR, 4WD, VAR.307
5	47056283	1	SCHAKELAAR, LICHTEN, 8x13
6	47056528	1	SCHAKELAAR,
7	5179952	1	ZITTINGKUSSEN, IGNITION
8	5170782	2	CONTACTSLEUTEL,
9	5127282	1	SCHAKELAAR, THERMOSTARTER
10	5172070	1	SCHAKELAAR, Rotary Beacon
11	47056532	1	SCHAKELAAR, WORKLAMPS
11	47056104	1	SCHAKELAAR, 4 FRONT WORKLAMPS, VAR. 772
12	47056529	1	SCHAKELAAR, FRONT WINDSHIELD WIPER
13	47056531	1	SCHAKELAAR, FRONT WINDSHIELD WASHER
14	47056530	1	SCHAKELAAR, REAR WINDSHIELD WIPER, W/Base Equip. BSN HJH064902, W/VAR.089 ASN HJH064903
15	47056523	1	SCHAKELAAR,
16	47056524	1	SCHAKELAAR,

1.92.74(02) ELEKTRISCHE BESTUURMECHANISMEN

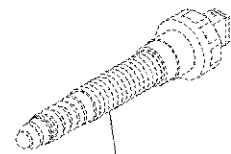
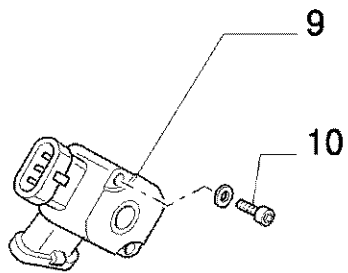
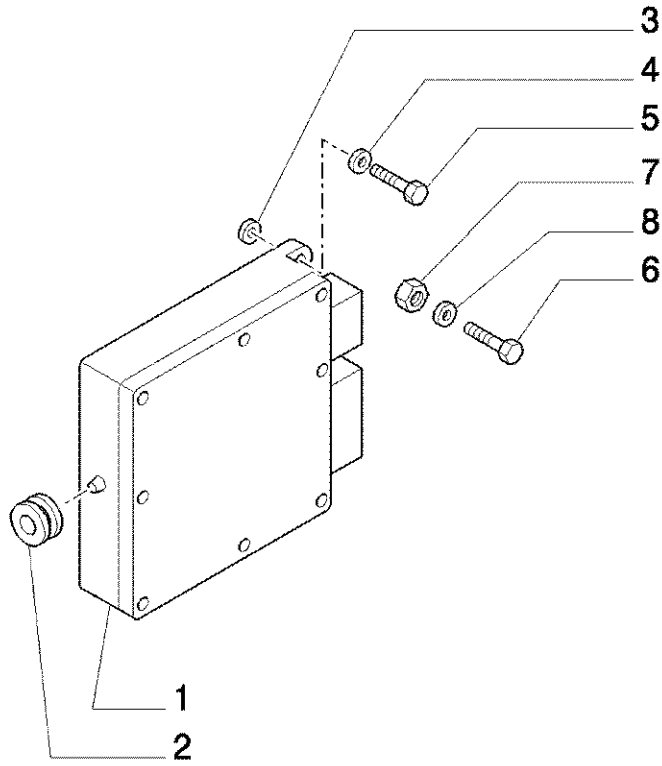
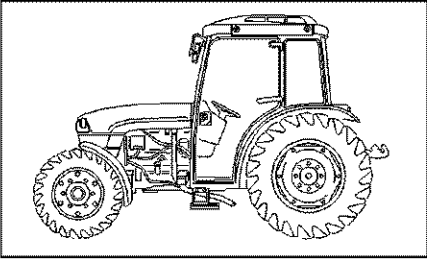


1.92.74(02) ELEKTRISCHE BESTUURMECHANISMEN

Ref	Onderdeelnummer	Kwt	Beschrijving
1	87395493	1	DRUKSCHAKELAAR, Oil Pressure, Hydr. DT, VAR. 323-323/1, Indicates oil missing in DT control pipe
2	4858607	1	WASHER, COPPER,
3	47133634	1	RANGEERDER, LIGHTS&TURN
4	5198051	1	MOER,
5	15902801	5	ZELFTAPPENDE SCHROEF, Cross Pan Hd, M3.5 x 22,
6	5195039	1	SCHAKELAAR, Handbrake, -C5436
7	11181474	2	WASHER, SPRING, Belleville, M4.3,
8	13271924	2	SCHROEF, Cross Pan Hd, M4 x 10, 8.8, , -C5437
9	5198050	1	STEUNBEUGEL, , -C5437
10	80322355	2	SLUITRING,
11	13272124	2	SCHROEF, Cross Pan Hd, M4 x 14, 8.8,
12	82022809	1	KNIPPERLICHT, , D5366-
13	13273924	2	SCHROEF, Pan Hd, M5 x 10, 8.8, , D5366-
14	10571474	2	VEERRING, , D5366-
15	87539616	1	Hand Brake, D5436-
16	87566484	1	MAGNEET, , D5436-
17	87552777	1	, D5437-
18	13271824	2	, D5437-
18	14303021	2	BOUT, Hex, M4 x 12, 8.8, Full Thd, , D5437-
19	14441027	1	SCHROEF, , D5437-
20	12574111	1	NUT, LOCK, M5 x .8, CI 8, , D5437-



Ref	Onderdeelnummer	Kwt	Beschrijving
1	10726921	1	MOER, Thin, M24 x 1.5, CI 05,
2	5173566	1	SENSOR, LVDT
3	14305124	2	SCHROEF, Hex Soc Hd, M6 x 12, 8.8,
4	10615476	2	VEERRING, Ext Tooth, M6,
5	89821734	1	POTENTIOMETER,
6	47056522	1	PANEELWERK, EDC PANEL
7	15691377	6	ZELFTAPPENDE SCHROEF, Cross Oval Hd, M4.2 x 13,
8	5151033	1	PLUG,
9	47056527	1	SCHAKELAAR, UP/DOWN INT.
10	5173877	2	SCHAKELAAR, UP/DOWN EXT.
11	5169266	2	RESERVOIRDOP,
12	47056520	1	PANEELWERK, EDC PANEL
13	14048514	1	NUT, LOCK, M4 x .7, CI 8,
14	5135738	2	O-RING, -115, CI 9, .674" ID x .103" Thk, 2.62x17.12
15	5190018	1	SCHAKELAAR, Brake Pump, Hydr. DT
16	4858607	1	WASHER, COPPER, 12x18
17	82032837	1	DRUKSCHAKELAAR, To Hydr. DT Light
18	5166218	4	SPOEL,

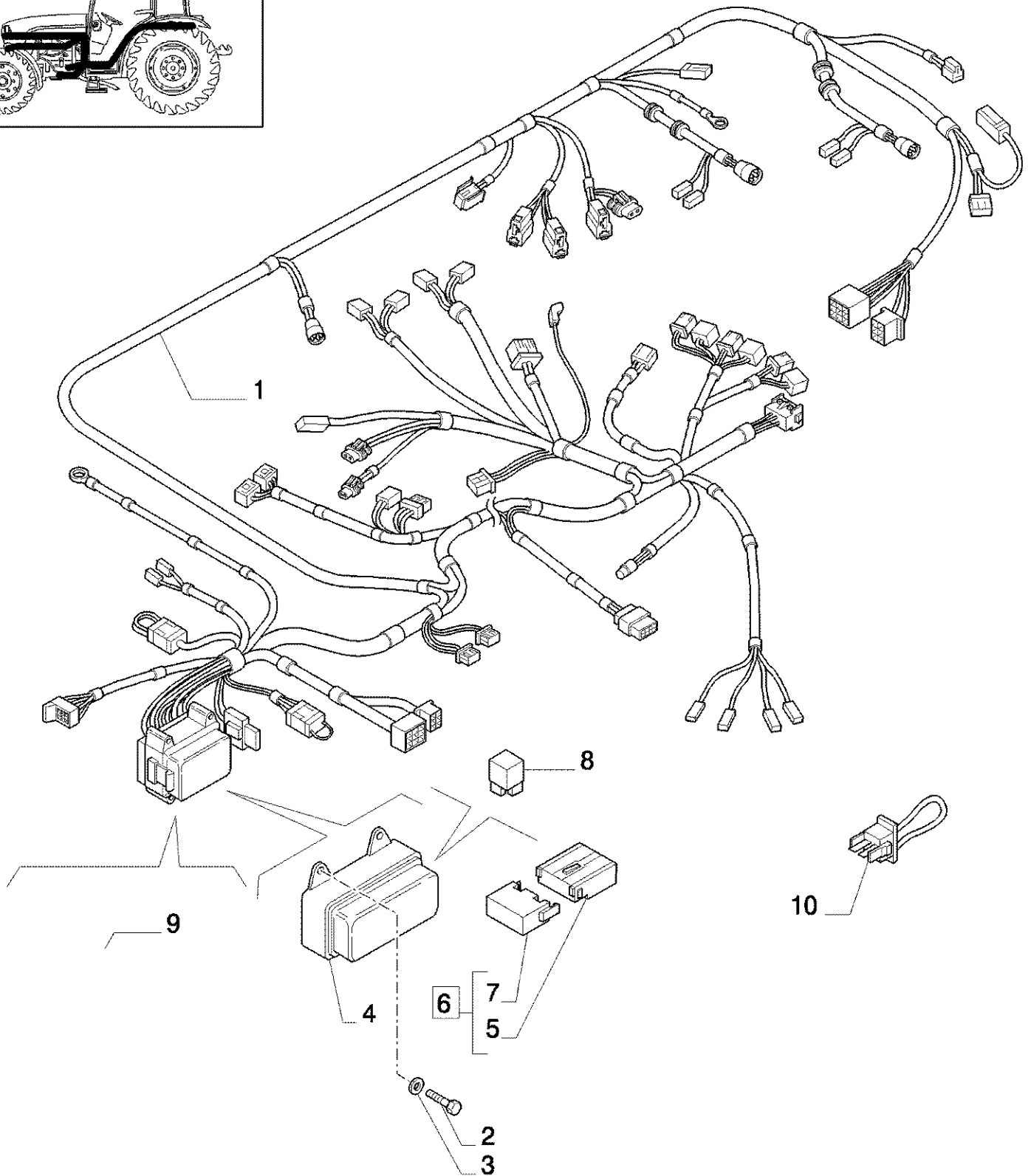
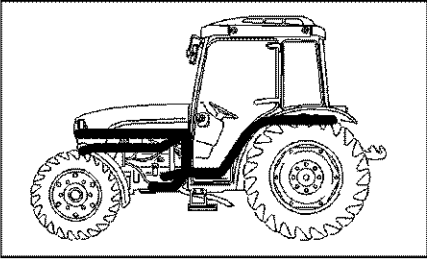


PAG. 1



Ref	Onderdeelnummer	Kwt	Beschrijving
1	47137066	1	ELECTRONISCHE KAST, EDC
2	5175382	1	RING,
3	12647607	2	SLUITRING, 6x16
4	11197774	2	WASHER, SPRING, Belleville, M6.4,
5	10902424	2	BOUT, Hex, M6 x 20, 8.8, Full Thd,
6	13273921	2	SCHROEF, Cross Pan Hd, M5 x 10, 8.8,
7	15896414	2	MOER, M5, CI 8,
8	10571474	2	VEERRING,
9	87543715	1	POTENTIOMETER, ROTARY POSITION SENSOR
10	10978521	2	BOUT, Hex, M5 x 35, 8.8,

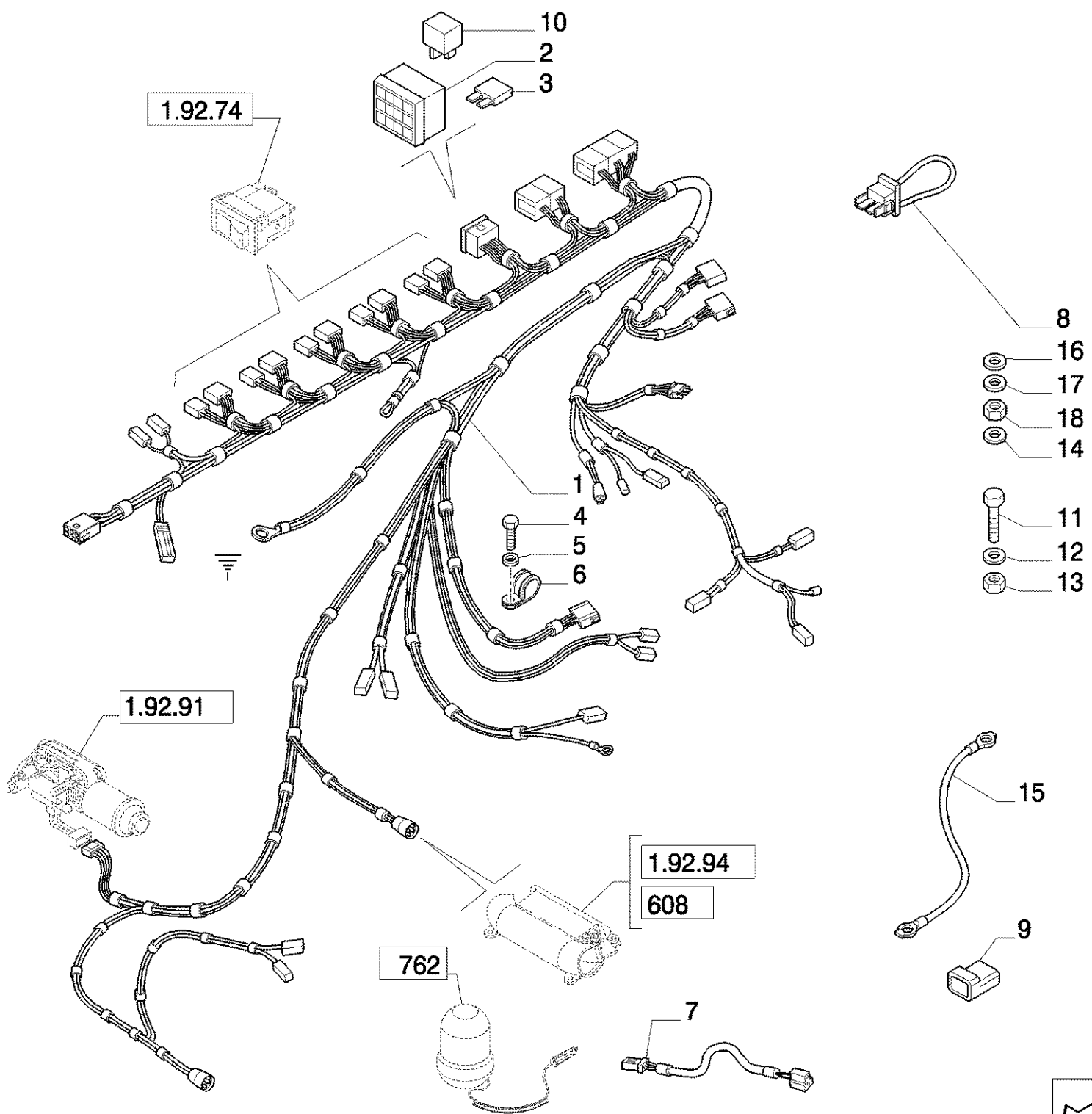
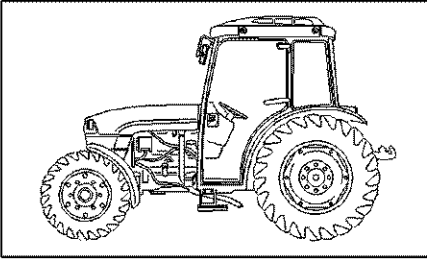
1.92.75(01) ELEKTRISCHE BESTUURMECHANISMEN



1.92.75(01) ELEKTRISCHE BESTUURMECHANISMEN

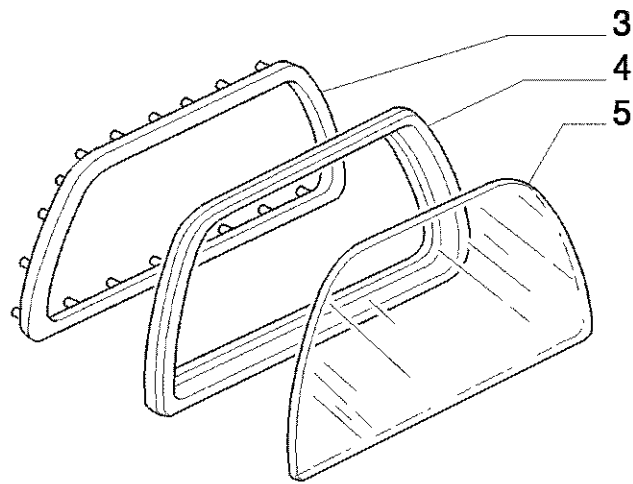
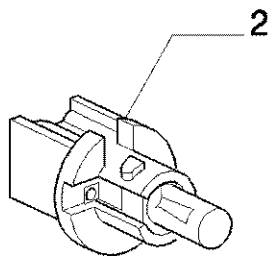
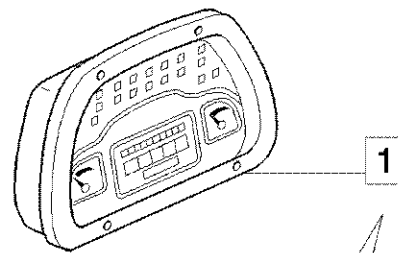
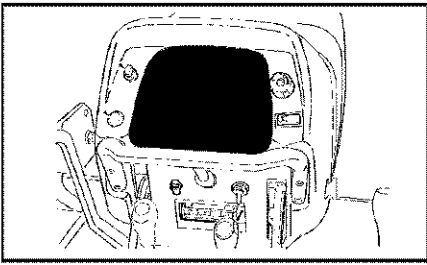
Ref	Onderdeelnummer	Kwt	Beschrijving
1	47132808	1	ELECTRISCHE KABEL, , BSN HJE014285
1	47136774	1	ELECTRISCHE KABEL, , HJE014286-C5294
1	87369834	1	ELECTRISCHE KABEL, , D5294-
2	15896221	4	MOER, M6, CI 10,
3	11197774	4	WASHER, SPRING, Belleville, M6.4,
4	5198692	1	ZEKERINGHOUDER,
5	5173266	1	KAST,
6	5176999	1	DEKSEL,
7	5173265	1	DEKSEL,
8	10395890	8	ZEKERING, 5A
8	10399690	6	ZEKERING, 10A
8	10401090	5	ZEKERING, 15A
8	10401290	1	ZEKERING, 25A
9	47129932	1	DECAL,
10	47125756	1	BRUG, C21
10	5189713	1	BRUG, C18
11	47128053	1	DEKSEL,

1.92.75(02) ELEKTRISCHE BESTUURMECHANISMEN

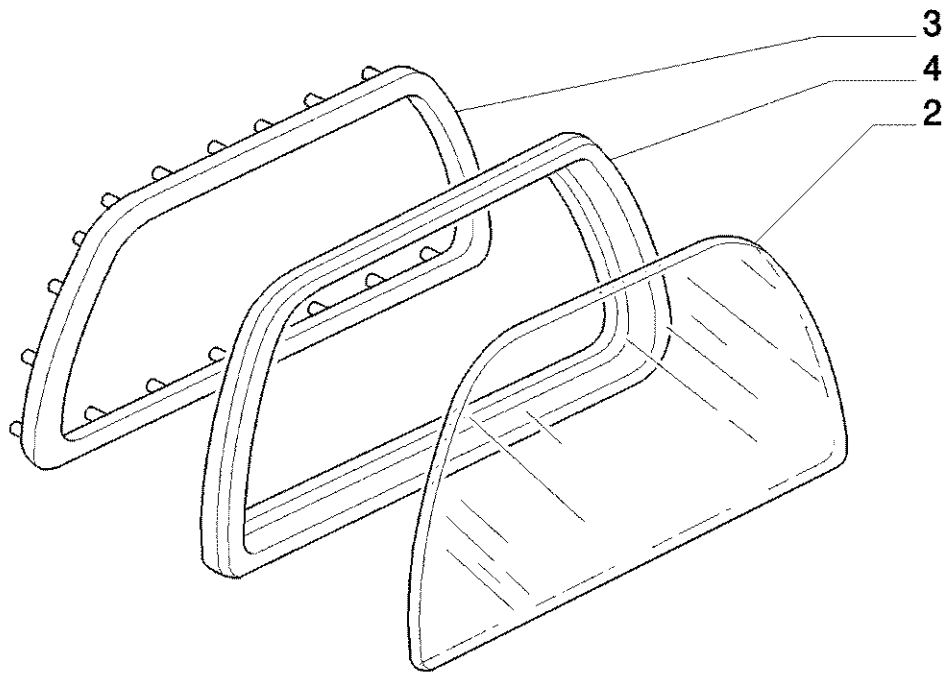
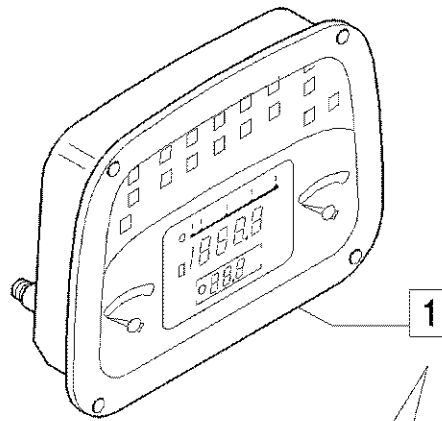
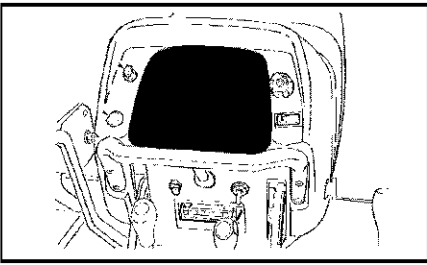


1.92.75(02) ELEKTRISCHE BESTUURMECHANISMEN

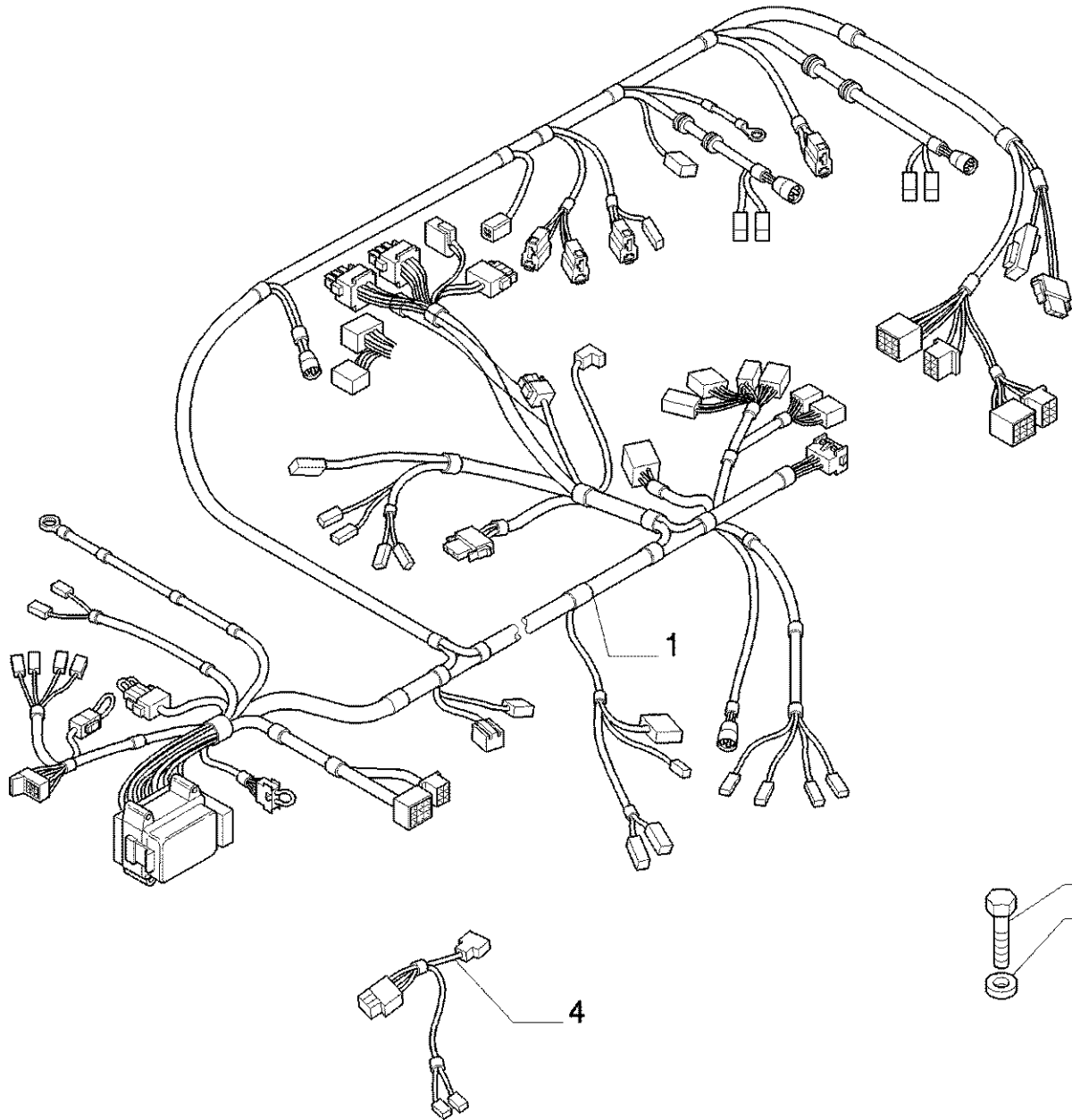
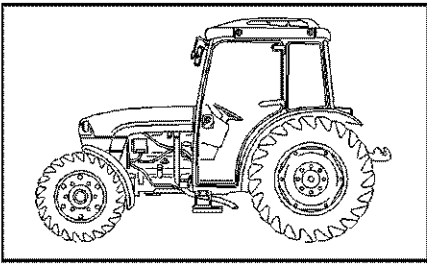
Ref	Onderdeelnummer	Kwt	Beschrijving
1	47056420	1	ELECTRISCHE KABEL, , -C5294
1	87391530	1	ELECTRISCHE KABEL, , D5294-
2	5173313	1	ZEKERINGSKAST, INCL.REF. 3, BSN HJE030636
2	47134166	1	ZEKERINGSKAST, , ASN HJE030637
3	11054790	AR	ZEKERING, 5A
3	11054990	1	ZEKERING, 10A
3	11055090	3	ZEKERING, 15A
3	11055190	1	ZEKERING, 20A
3	11055290	1	ZEKERING, 25 AMP
3	11055390	1	ZEKERING, , ASN HJE030637
4	13279277	4	SCHROEF, Cross Pan Hd, M8 x 16, 12.9,
5	11193874	2	WASHER, SPRING, Belleville, M8.4, D=8
6	10450090	2	KLEM,
7	47127946	1	ELECTRISCHE KABEL,
8	47125756	1	BRUG, C21
8	5189713	1	BRUG, C18
9	47057079	1	DIODE,
10	5155317	AR	RELAIS, 12V-30A
11	13273921	3	SCHROEF, Cross Pan Hd, M5 x 10, 8.8,
12	10571474	3	VEERRING, D=5
13	15896414	2	MOER, M5, CI 8,
14	12605671	2	VEERRING, Int Tooth, M10,
15	5191227	1	ELECTRISCHE KABEL,
16	11193274	1	WASHER, SPRING, Belleville, M6.4,
17	12647607	1	SLUITRING, D=6
19	5148132	1	NUT, LOCK,
20	5148131	1	HUIS,
21	5148133	1	ELEMENT,
18	15896221	1	MOER, M6, CI 10,



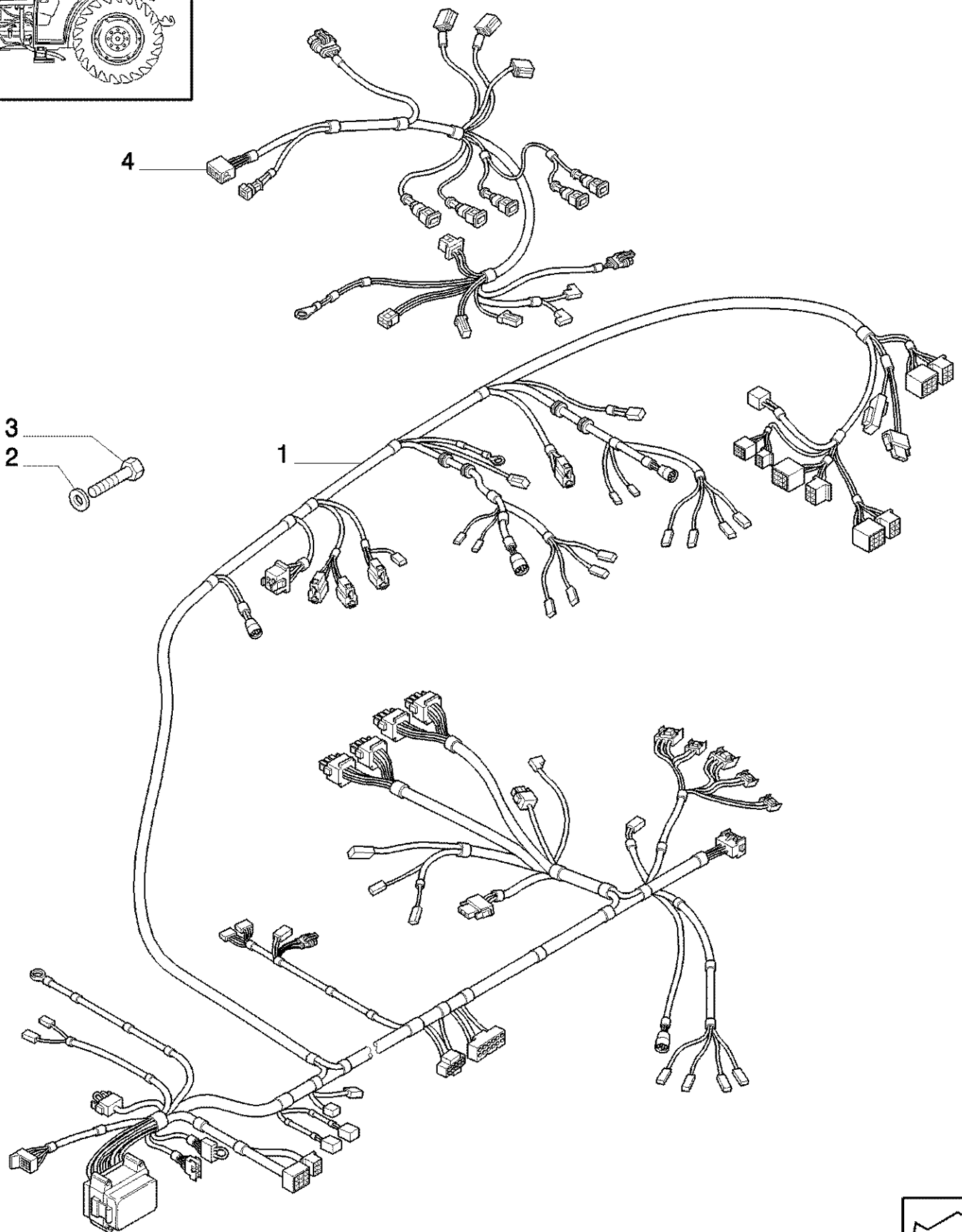
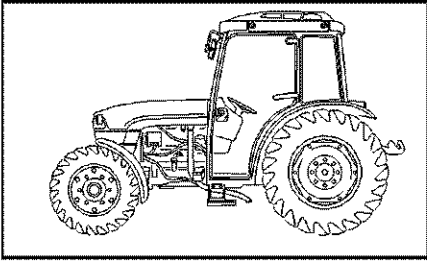
Ref	Onderdeelnummer	Kwt	Beschrijving
1	47125974	1	MEETINSTRUMENT, ASSY
2	5196107	1	LAMPHOUDER, W/LAMP 12V-3W
2	9969223	27	LAMPHOUDER, W/LAMP 12V-2W
3	5196087	1	MONTUUR,
4	5196347	1	DICHTINGSSTUK,
5	5196085	1	VENSTERGLAS,



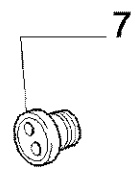
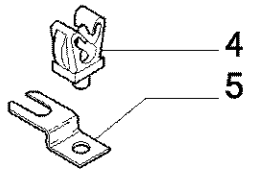
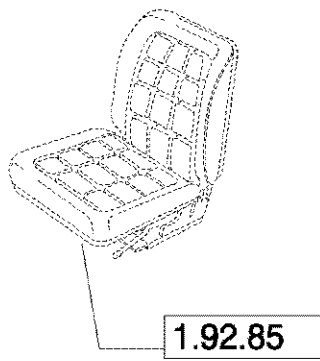
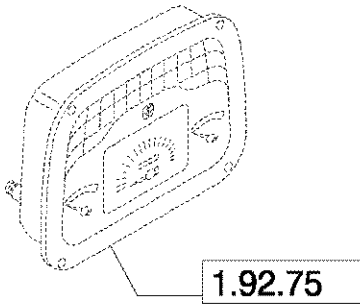
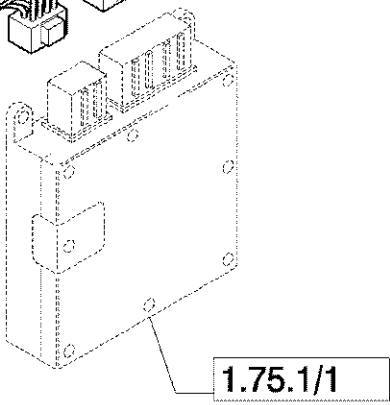
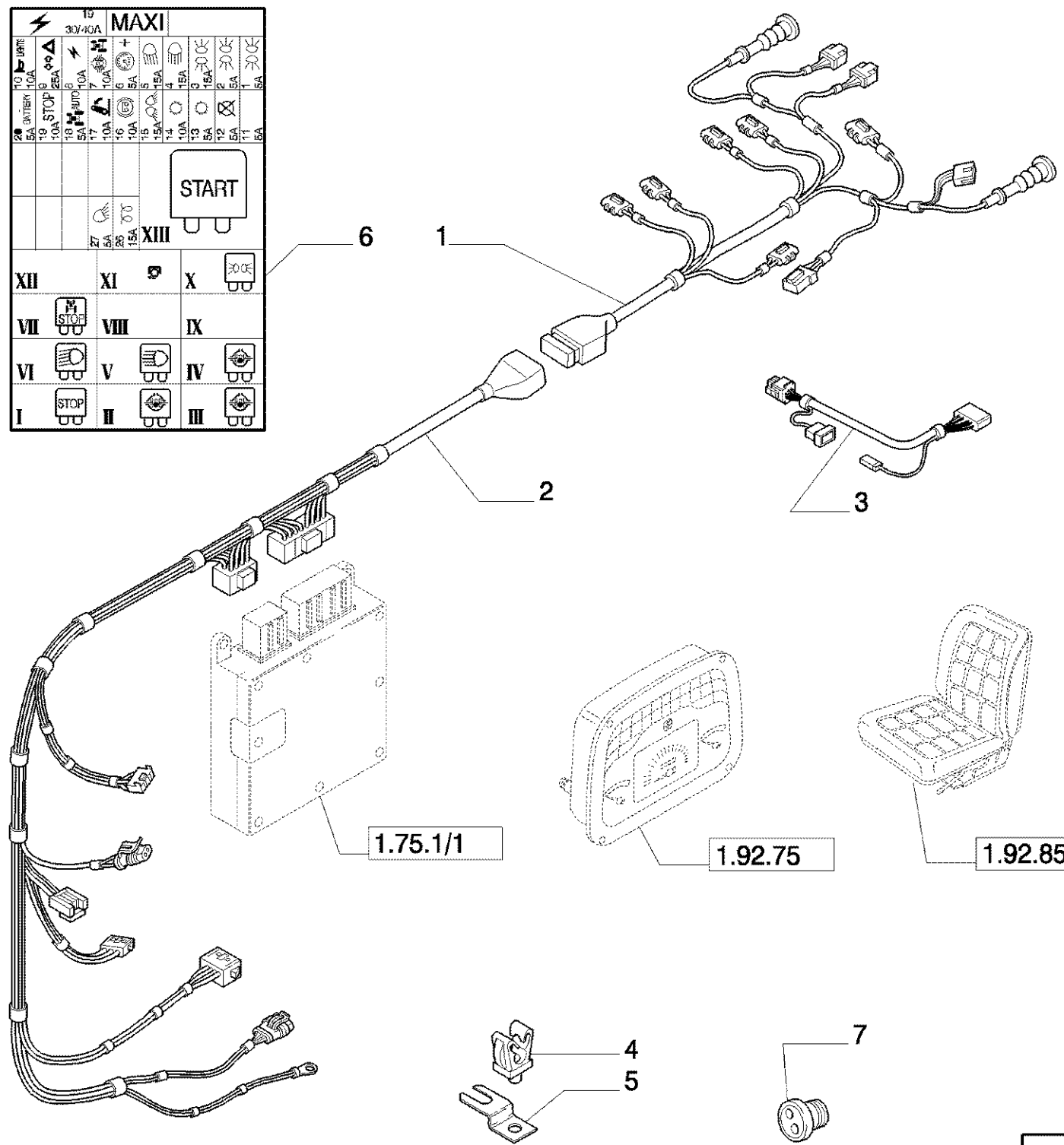
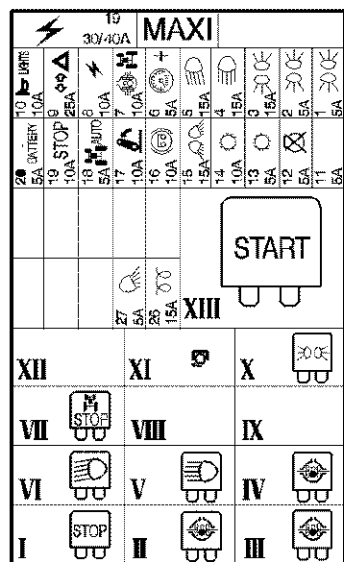
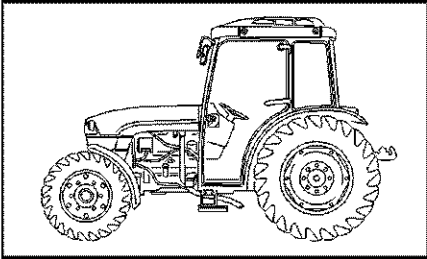
Ref	Onderdeelnummer	Kwt	Beschrijving
1	47125974	1	MEETINSTRUMENT, ASSY
2	87517277	1	
3	87517278	1	
4	87352789	1	



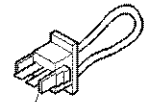
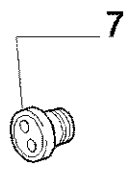
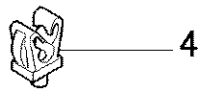
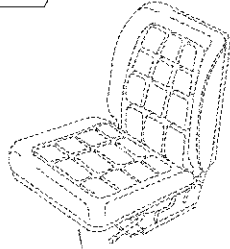
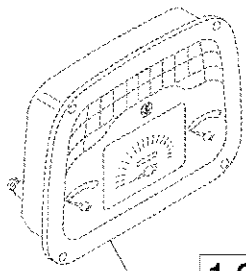
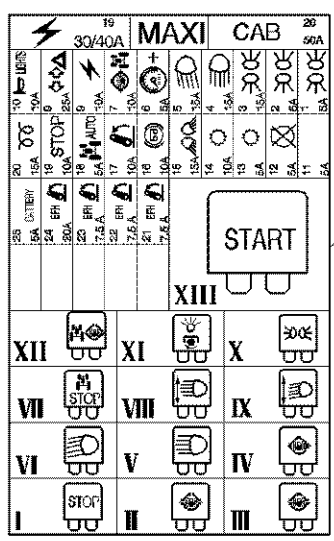
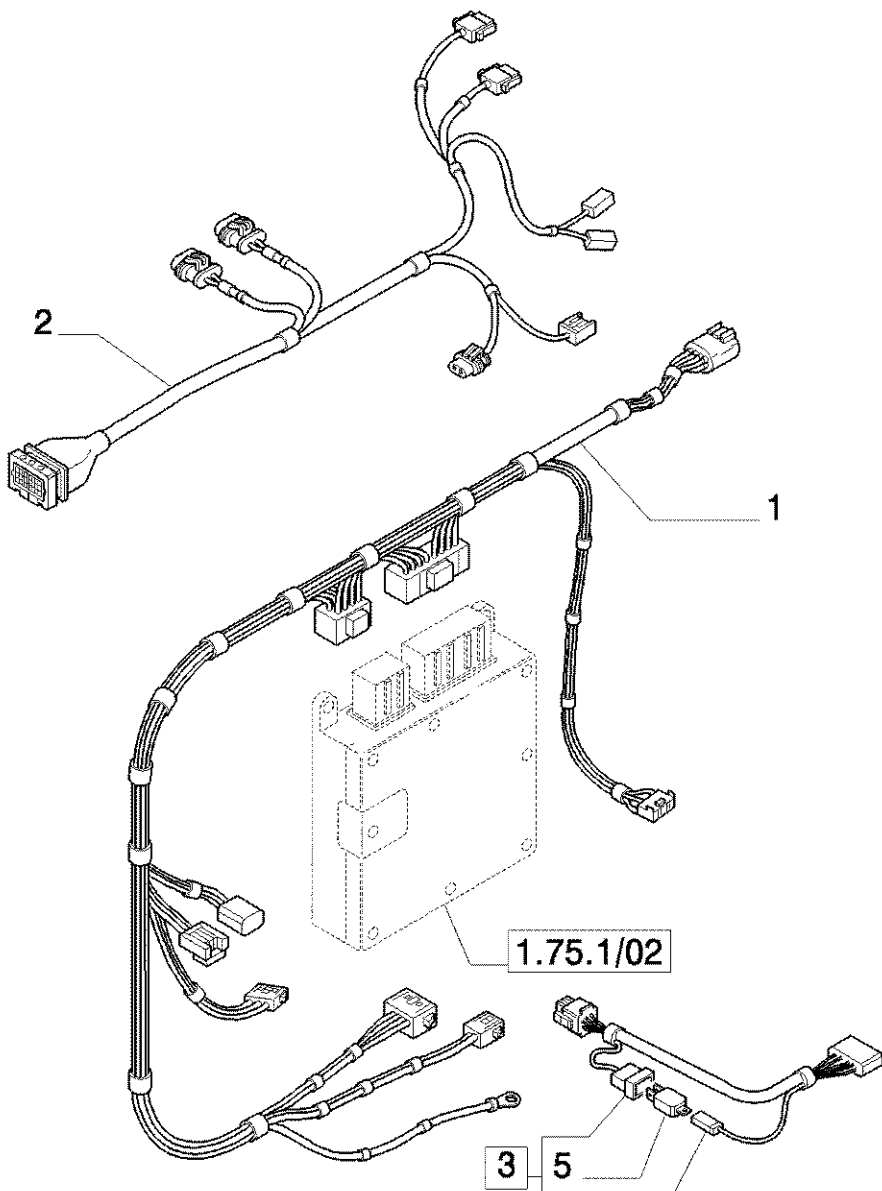
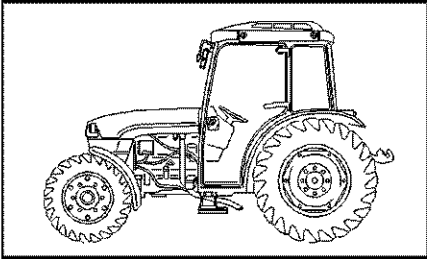
Ref	Onderdeelnummer	Kwt	Beschrijving
1	47132804	1	ELECTRISCHE KABEL, , BSN HJE014285
1	47136775	1	ELECTRISCHE KABEL, , HJE014286-C5294
1	87378582	1	ELECTRISCHE KABEL, , D5294-
2	86511829	4	SCHROEF, Cross Pan Hd, M6 x 16,
3	11197774	4	WASHER, SPRING, Belleville, M6.4,
4	5191652	1	ELECTRISCHE KABEL,



Ref	Onderdeelnummer	Kwt	Beschrijving
1	47132805	1	ELECTRISCHE KABEL, MAIN, BSN HJE014285
1	47136777	1	ELECTRISCHE KABEL, , HJE014286-C5294
1	87378583	1	ELECTRISCHE KABEL, , D5294-
2	11197774	4	WASHER, SPRING, Belleville, M6.4,
3	86511829	4	SCHROEF, Cross Pan Hd, M6 x 16,
4	47133585	1	ELECTRISCHE KABEL, TRANSMISSION DT PERMANENT

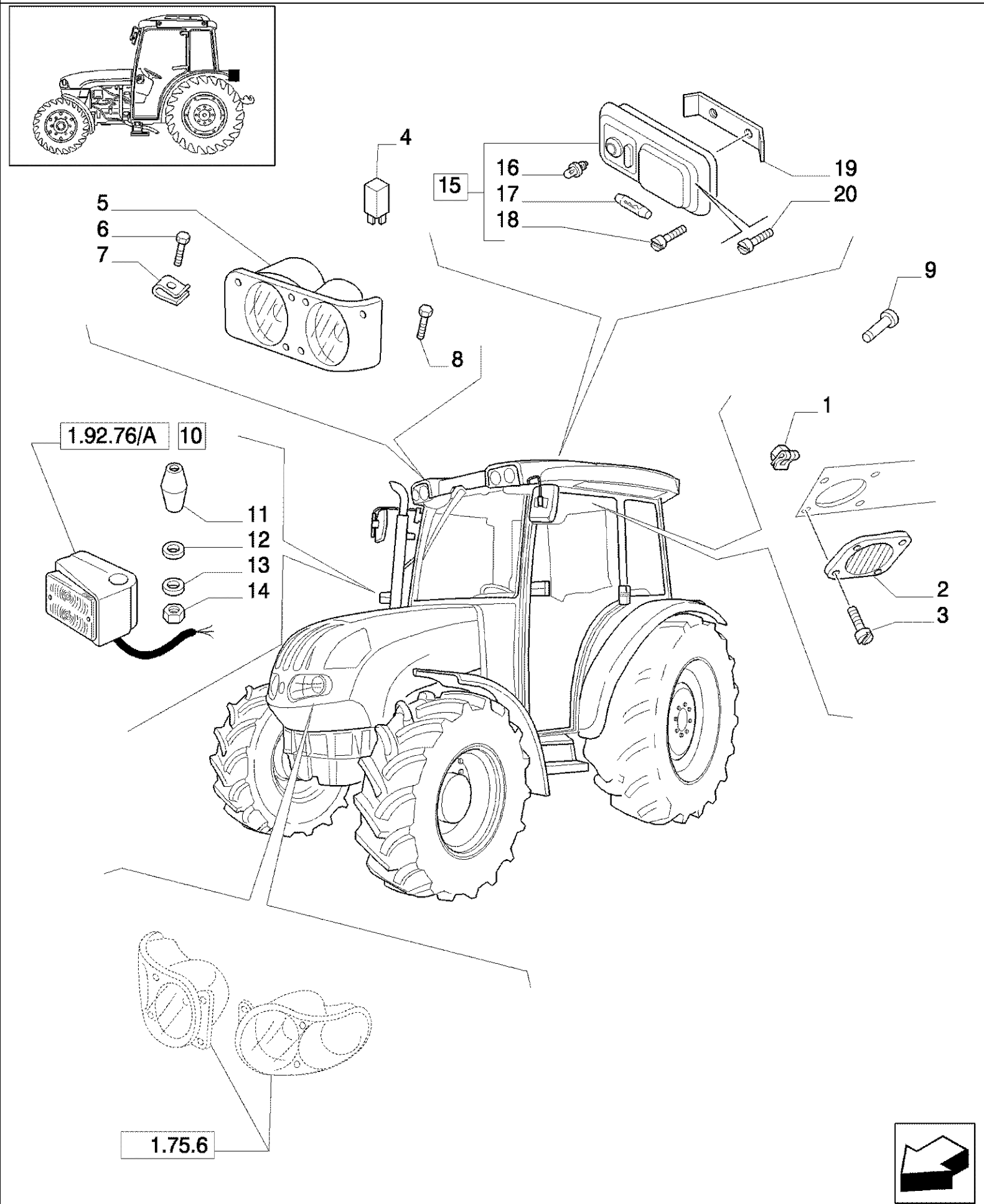


Ref	Onderdeelnummer	Kwt	Beschrijving
1	5189736	1	ELECTRISCHE KABEL, TRASMISSION
2	47133587	1	ELECTRISCHE KABEL, , -C5294
2	87370174	1	, D5294-
3	5188081	1	KABELBOOM, SEAT SAFETY CIRCUIT HARNESS
4	14574180	3	VEERKLEM,
5	5120229	2	PLAAT,
6	47129973	1	DECAL,
7	47128617	1	RING, RUBBER,



Ref	Onderdeelnummer	Kwt	Beschrijving
1	47133588	1	ELECTRISCHE KABEL, , Power Shuttle Dashboard Harness, -C5294
1	87369838	1	ELECTRISCHE KABEL, , Power Shuttle Dashboard Harness, D5294-
2	5191058	1	ELECTRISCHE KABEL, , Power Shuttle Transmission Harness
3	5188081	1	KABELBOOM, , Seat Safety Circuit
4	14574180	2	VEERKLEM,
5	83929594	1	DIODE,
6	47129932	1	DECAL, Fuse
7	47128617	1	RING, RUBBER,
8	5187976	1	BRUG,

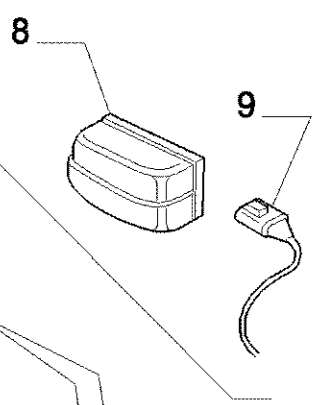
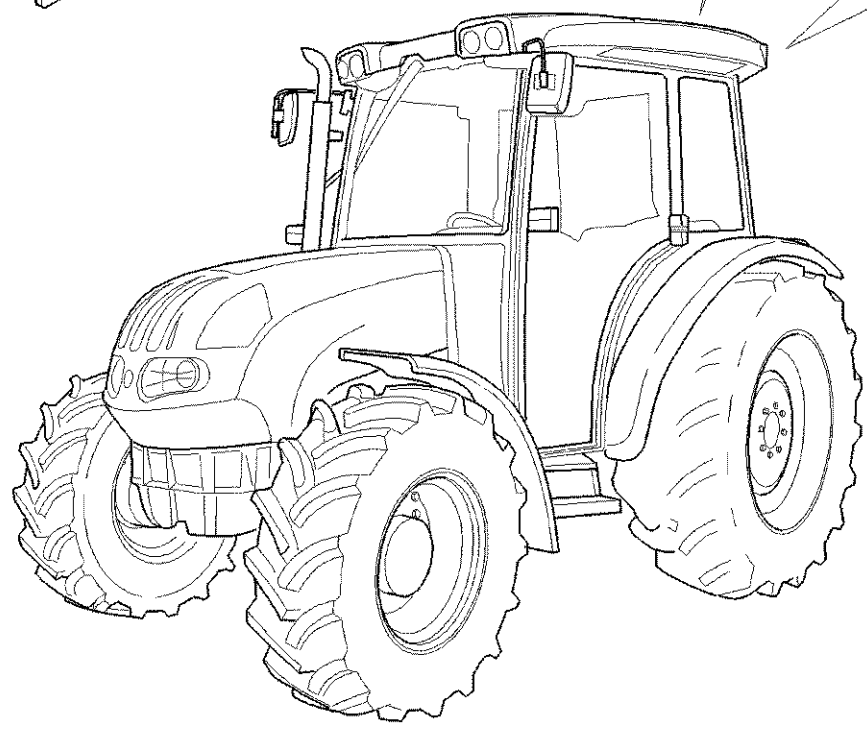
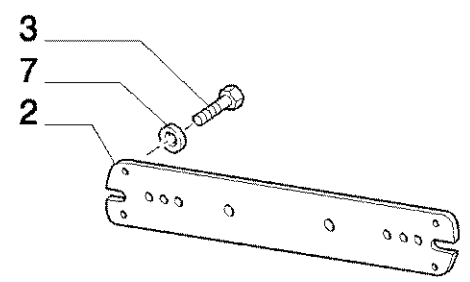
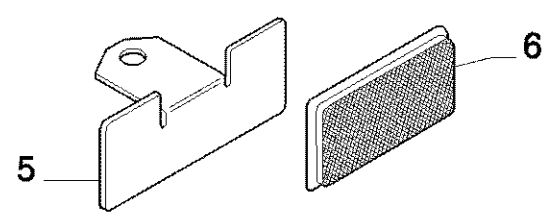
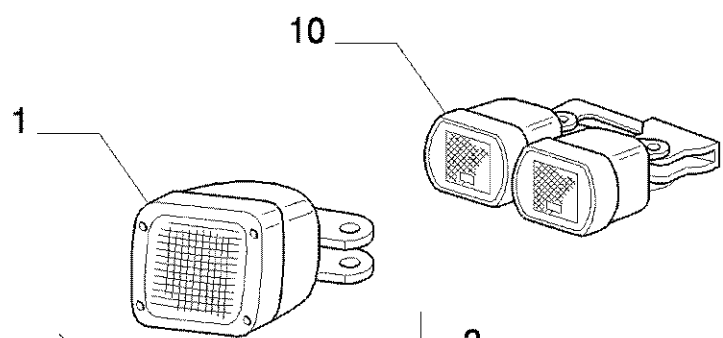
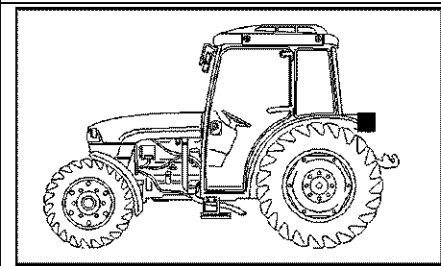
1.92.76(01) VERLICHTINGSAPPARATUUR



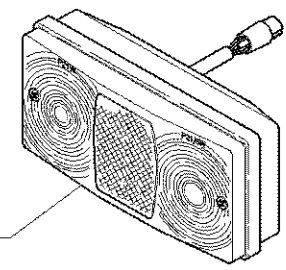
1.92.76(01) VERLICHTINGSAPPARATUUR

Ref	Onderdeelnummer	Kwt	Beschrijving
1	5154844	8	STEUNBEUGEL,
2	82014733	2	ROOSTER, , BSN HJH051740
2	87319889	2	ROOSTER, , ASN HJH051741
4	5194890	1	RELAIS, 20A,VAR.772
5	47057258	1	LAMP, LH
5	47132999	1	SIERPLAAT, LH,VAR.772
5	47057259	1	LAMP, RH
5	47133007	1	SIERPLAAT, RH,VAR.772
6	13274911	2	M5x35
7	14371071	2	MOER, M5, U, 20.3mm long,
3	15902807	8	ZELFTAPPENDE SCHROEF, Cross Pan Hd, M3.5 x 22,
8	14305024	4	SCHROEF, Hex Soc Hd, M6 x 10, 8.8,
9	5158445	2	PLUG, D=6
10	82009122	1	LAMP VOORAAN, RH
10	82009121	1	LAMP VOORAAN, LH
11	12329380	2	KABELDOORGANG,
12	10399580	2	KABELDOORGANG,
13	5155698	4	DICHTINGSSTUK,
14	14084114	4	MOER, M5 x .8, Flg,
15	5141635	1	PLAFONDLAMP,
16	14144190	1	LAMP, 12V-5W
17	10863090	1	LAMP, 12V-5W
18	15902604	2	ZELFTAPPENDE SCHROEF, Cross Pan Hd, M3.5 x 9.5,
19	44911604	1	STEUNBEUGEL,
20	13272114	2	SCHROEF, Cross Pan Hd, M4 x 14,

1.92.76(02) VERLICHTINGSAPPARATUUR



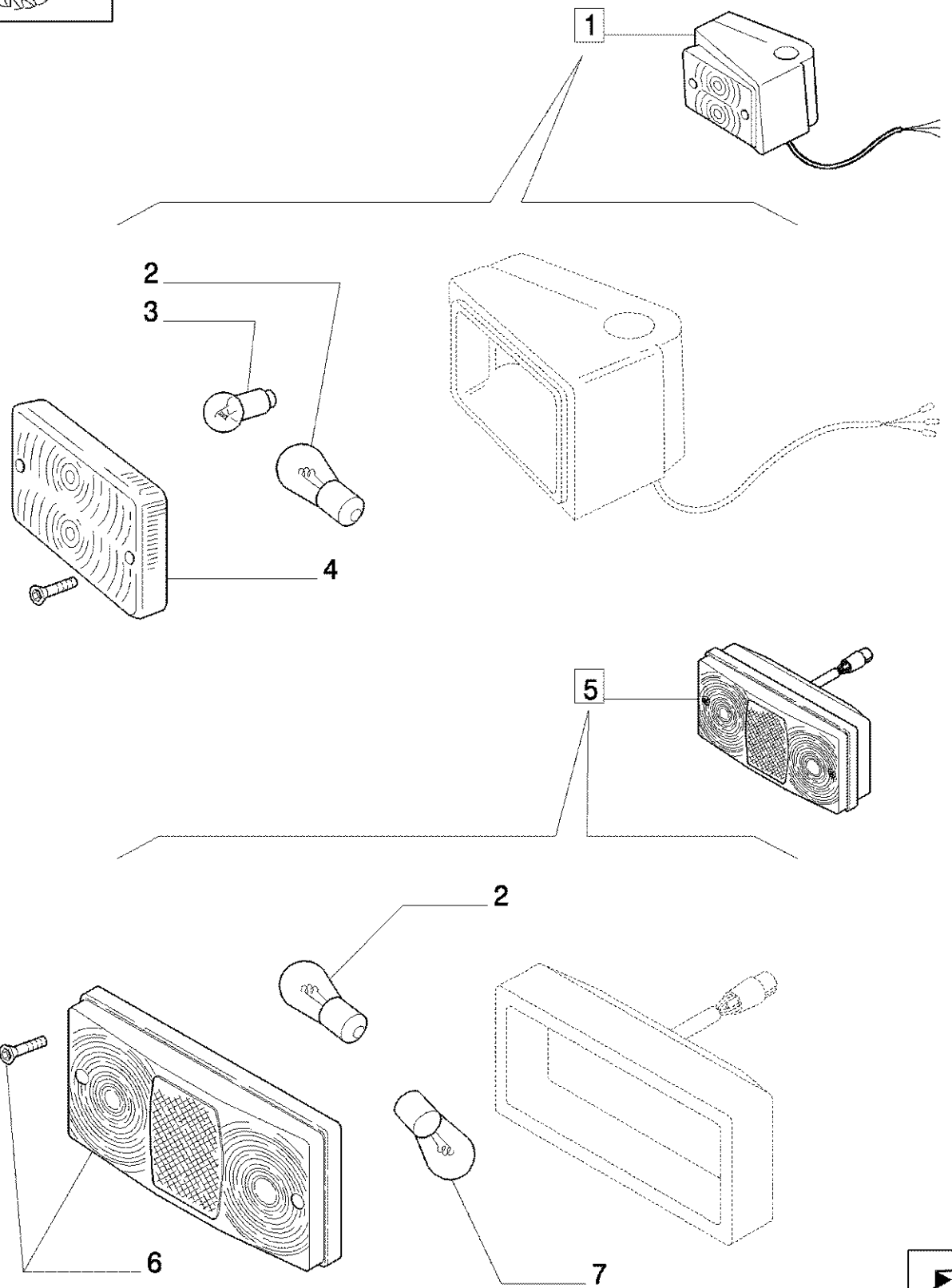
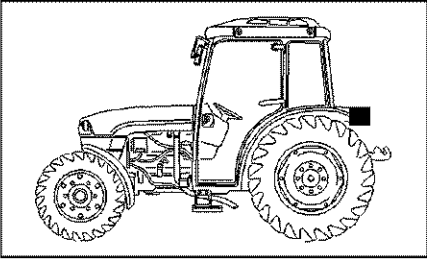
4 1.92.76/A



1.92.76(02) VERLICHTINGSAPPARATUUR

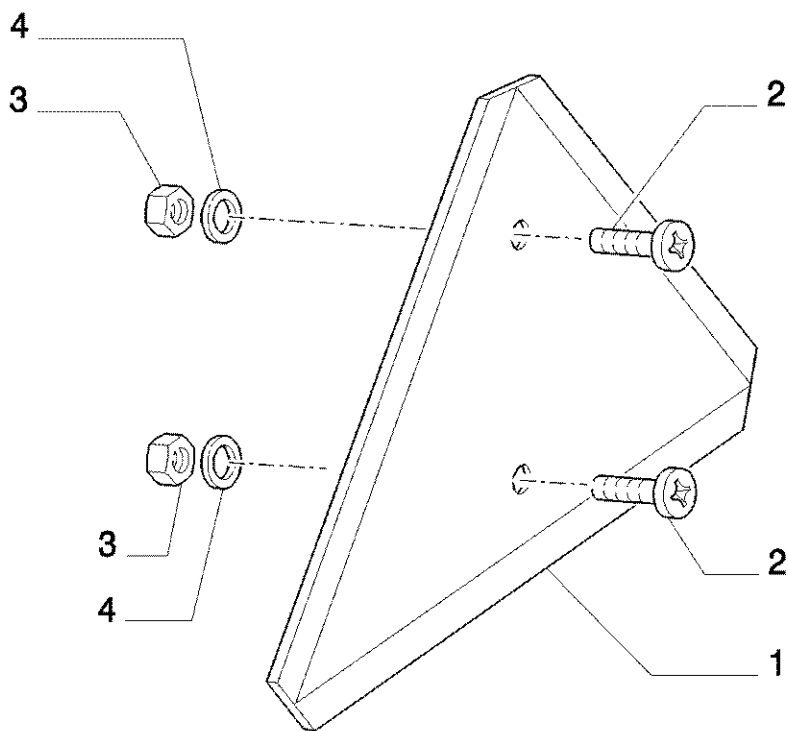
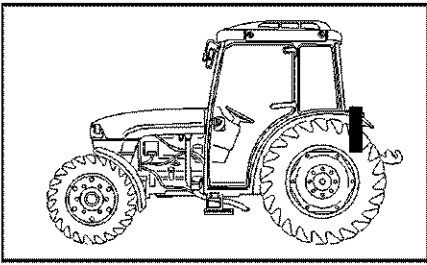
Ref	Onderdeelnummer	Kwt	Beschrijving
1	47056352	1	KOPLAMP, RH
1	47056353	1	KOPLAMP, LH
2	47056744	1	PLAAT,
3	13301211	2	SCHROEF, Phil Flat Hd, M6 x 14, 8.8,
4	5170315	2	ACHTERLICHT,
5	5189844	2	STEUN,
6	82002957	2	RETRO-REFLECTOR,
7	12648101	2	D=6
8	47057019	2	LAMP,
9	47057020	2	ELECTRISCHE KABEL,
10	47057247	1	LAMP, RH,VAR.754
10	47057248	1	LAMP, LH,VAR.754

1.92.76/ A VERLICHTINGSAPPARATUUR - COMPONENTEN

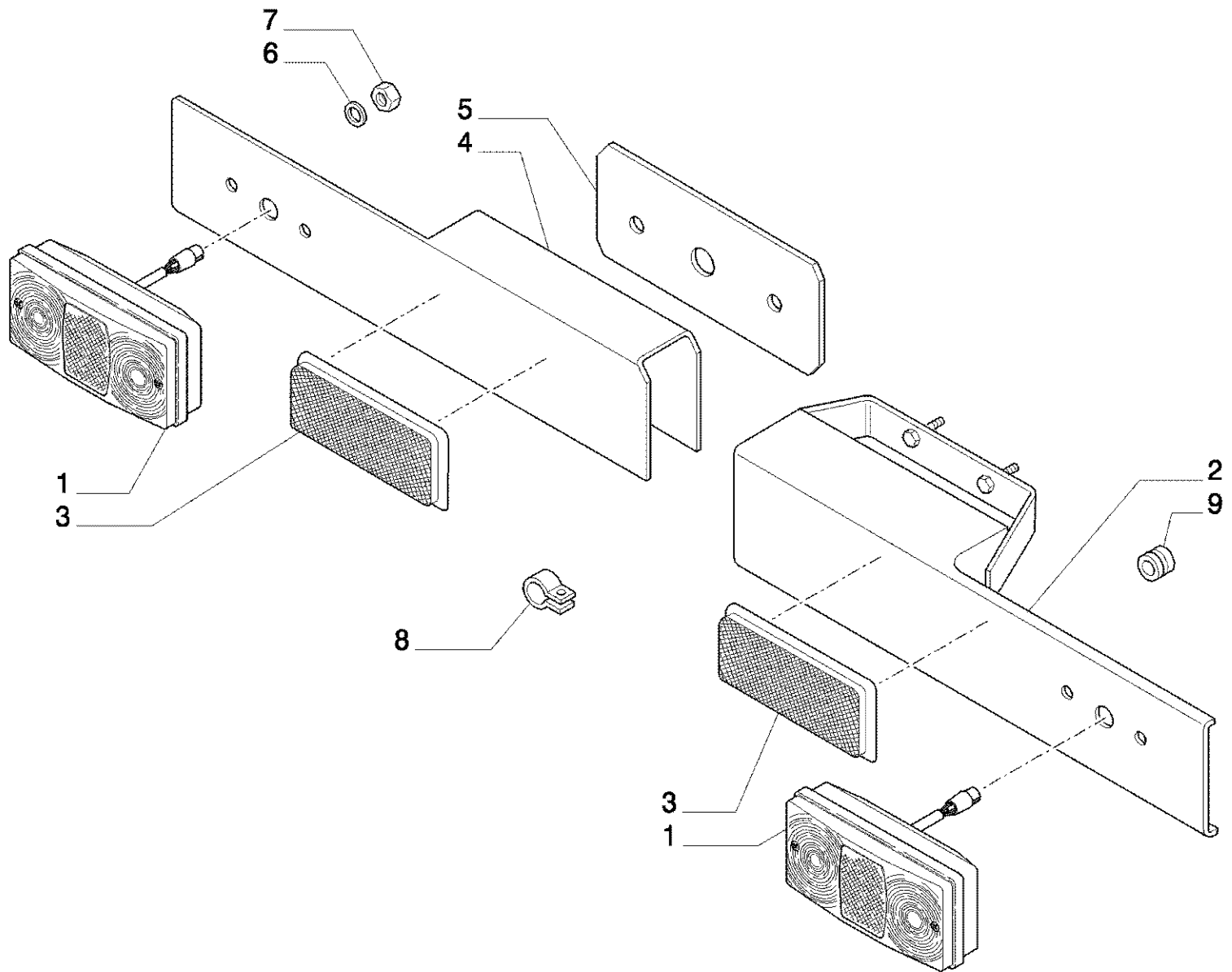
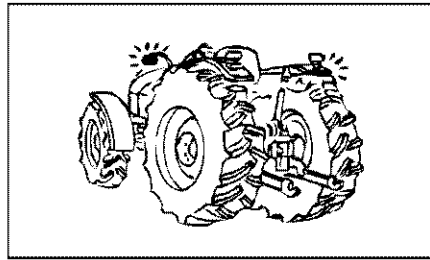


1.92.76/ A VERLICHTINGSAPPARATUUR - COMPONENTEN

Ref	Onderdeelnummer	Kwt	Beschrijving
1	82009121	1	LAMP VOORAAN, LH, ASSY
1	82009122	1	LAMP VOORAAN, RH, ASSY
2	14148190	AR	LAMP, 12V-21W
3	10857790	4	LAMP, 12V, 5W
4	71316700	2	TRANSPARENTE,
5	5170315	2	ACHERLICHT, ASSY
6	9971658	2	TRANSPARENTE,
7	14144690	AR	LAMP, 12V-5/21W

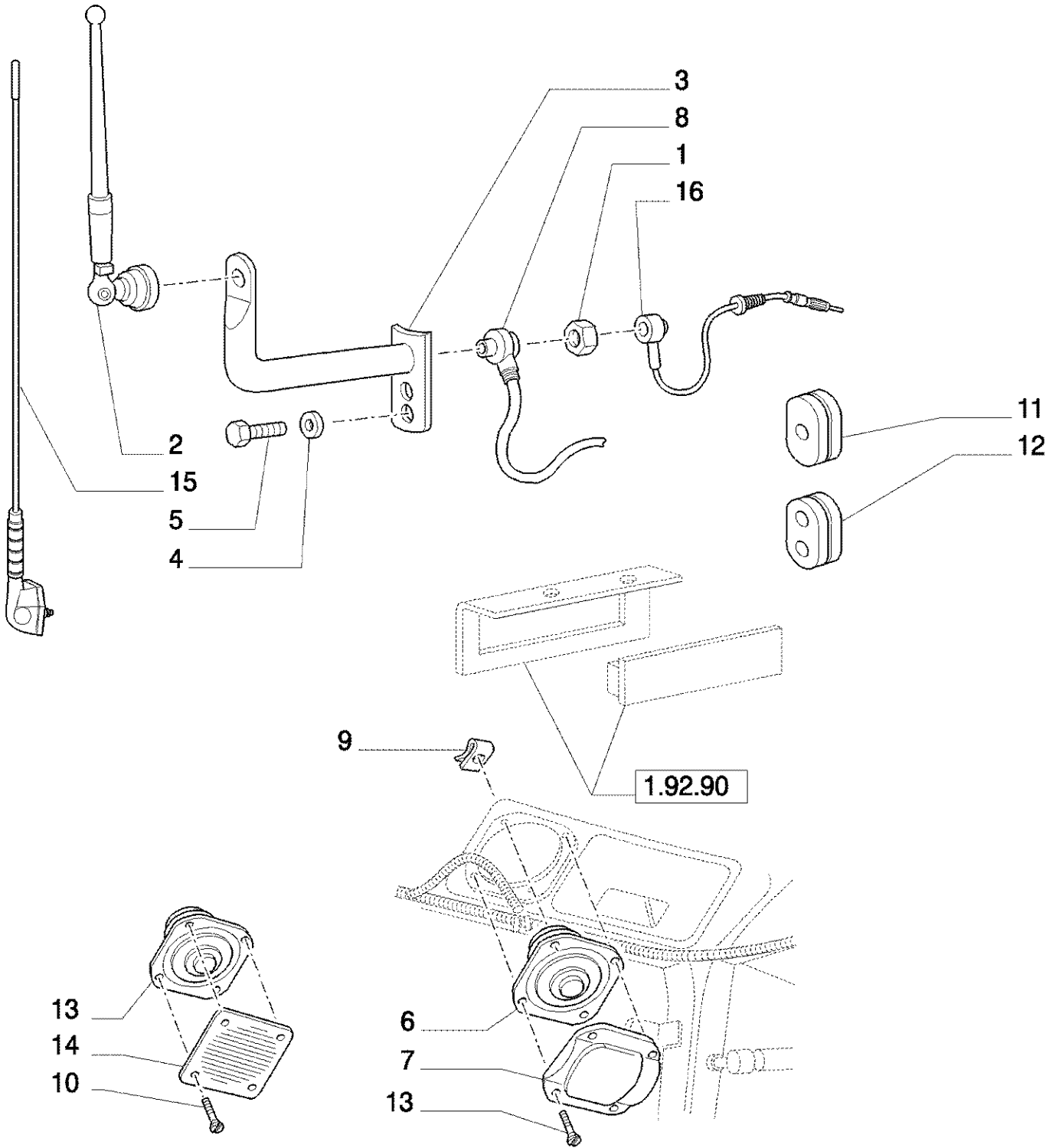
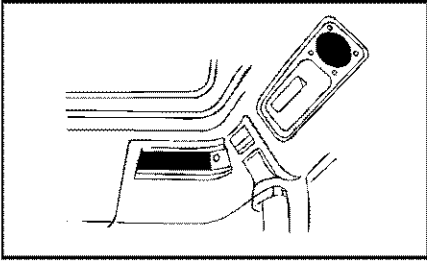


Ref	Onderdeelnummer	Kwt	Beschrijving
1	5144870	1	RETRO-REFLECTOR, INCL.REF.2,4,5
2	10376724	2	SCHROEF, Slotted, Pan Hd, M6 x 16, M6x12
3	15896214	2	MOER, M6, CI 8,
4	14499304	2	SLUITRING, M6 x 11 x 1.6,



Ref	Onderdeelnummer	Kwt	Beschrijving
1	87375185	2	
2	87373658	1	RH
3	82002957	2	RETRO-REFLECTOR,
4	87387560	1	LH
5	87377922	2	
6	12643704	4	SLUITRING, M6 x 18 x 1.5,
7	12574211	4	NUT, LOCK, M6 x 1, CI 8,
8	10441190	2	KLEM,
9	10403380	2	RING,

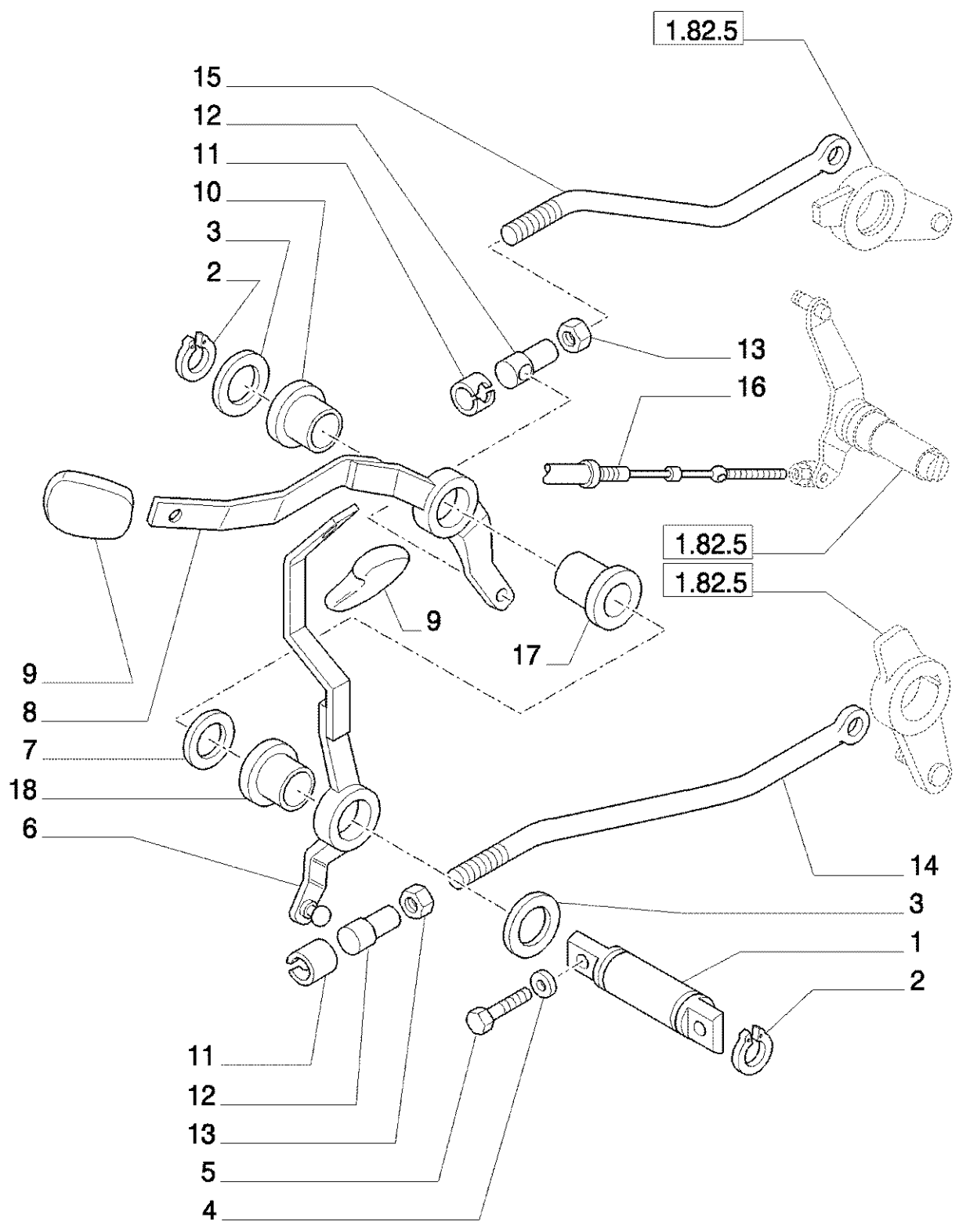
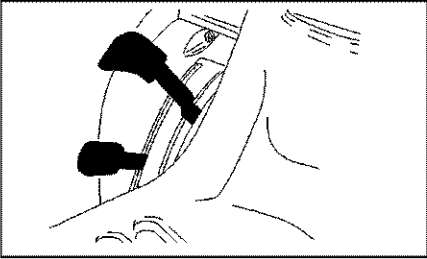
1.92.761 (VAR.777) ANTENNE EN LUIDSPREKERS



1.92.761 (VAR.777) ANTENNE EN LUIDSPREKERS

Ref	Onderdeelnummer	Kwt	Beschrijving
1	16104414	1	NUT, LOCK, M8 x 1.25,
2	82008643	1	ANTENNE, , BSN HJH052554
3	47133488	1	STEUNBEUGEL,
4	87304169	2	SCHROEF, 6x12
5	87304172	2	SLUITRING, M6x16
6	82014549	2	LUIDSPREKER, , BSN HJH051740
7	82014734	2	ROOSTER, , BSN HJH051740
8	82014550	1	KABEL, , BSN HJH052554
9	5154844	8	STEUNBEUGEL,
10	15902807	8	ZELFTAPPENDE SCHROEF, Cross Pan Hd, M3.5 x 22,
11	47127961	3	KABELDOORGANG,
12	47127960	1	KABELDOORGANG, LH
13	87316592	2	LUIDSPREKER, , ASN HJH051741
14	87316589	2	ROOSTER, , ASN HJH051741
15	87361686	1	ANTENNE, , ASN HJH052555
16	87361667	1	ELECTRISCHE KABEL, , ASN HJH052555

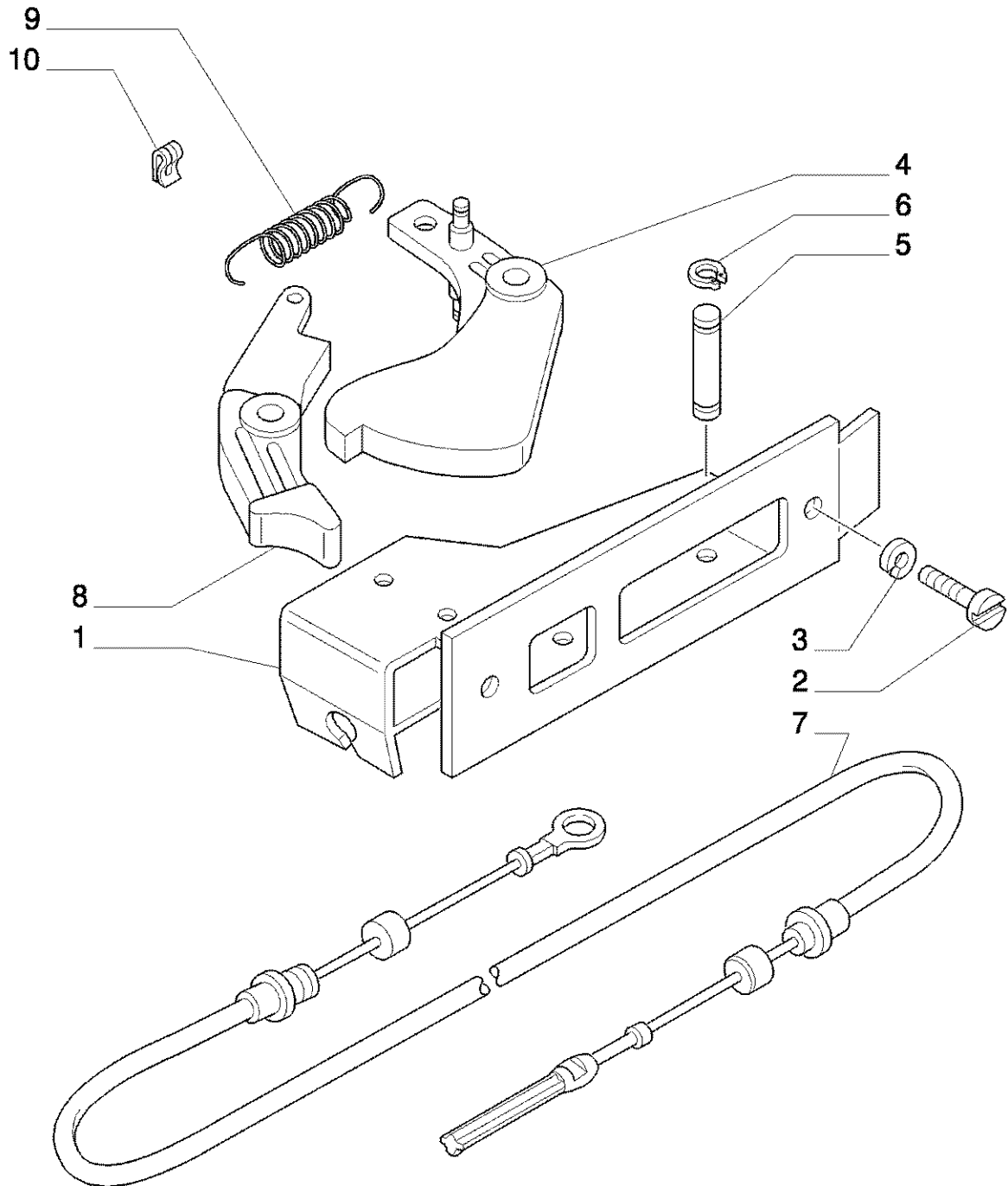
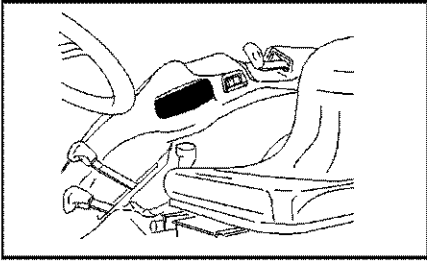
1.92.82(01) EXTERNE BESTURING ELEVADOR



1.92.82(01) EXTERNE BESTURING ELEVADOR

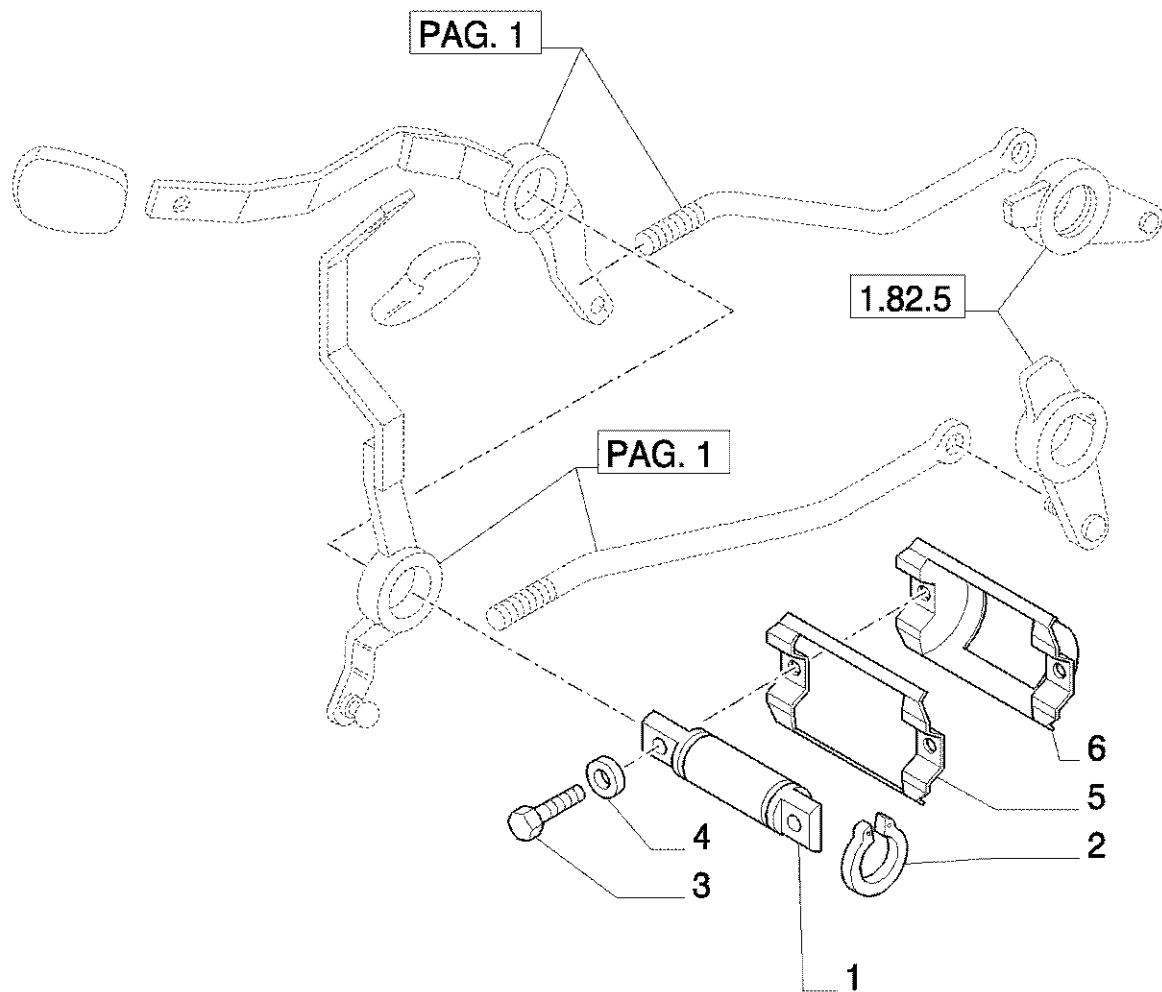
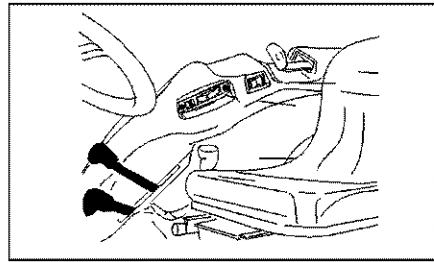
Ref	Onderdeelnummer	Kwt	Beschrijving
1	47127819	1	PEN,
2	11064076	2	KLEM,
3	5126031	2	SLUITRING, D = 35 x 21 x 2
4	11193874	2	WASHER, SPRING, Belleville, M8.4, 8x16
5	16043524	2	BOUT, Hex, M8 x 22, 8.8, Full Thd,
6	5180104	1	HEFBOOM, DRAUGHT
7	5154840	1	DIKTEPLAAT,
8	5180182	1	HEFBOOM, POSITION
9	47056497	2	KNOP,
10	5154842	2	LAGERBUS,
11	10125574	2	KLEM,
12	10124511	2	KOGELGEWRIGHT,
13	16100811	2	MOER, M8, CI 8,
14	5175447	1	TREKSTANG, DRAUGHT
15	5175446	1	TREKSTANG, POSITION
16	5183050	1	KABEL,
17	5154839	2	AFSTANDSRING, 21x35x22

1.92.82(02) EXTERNE BESTURING ELEVADOR



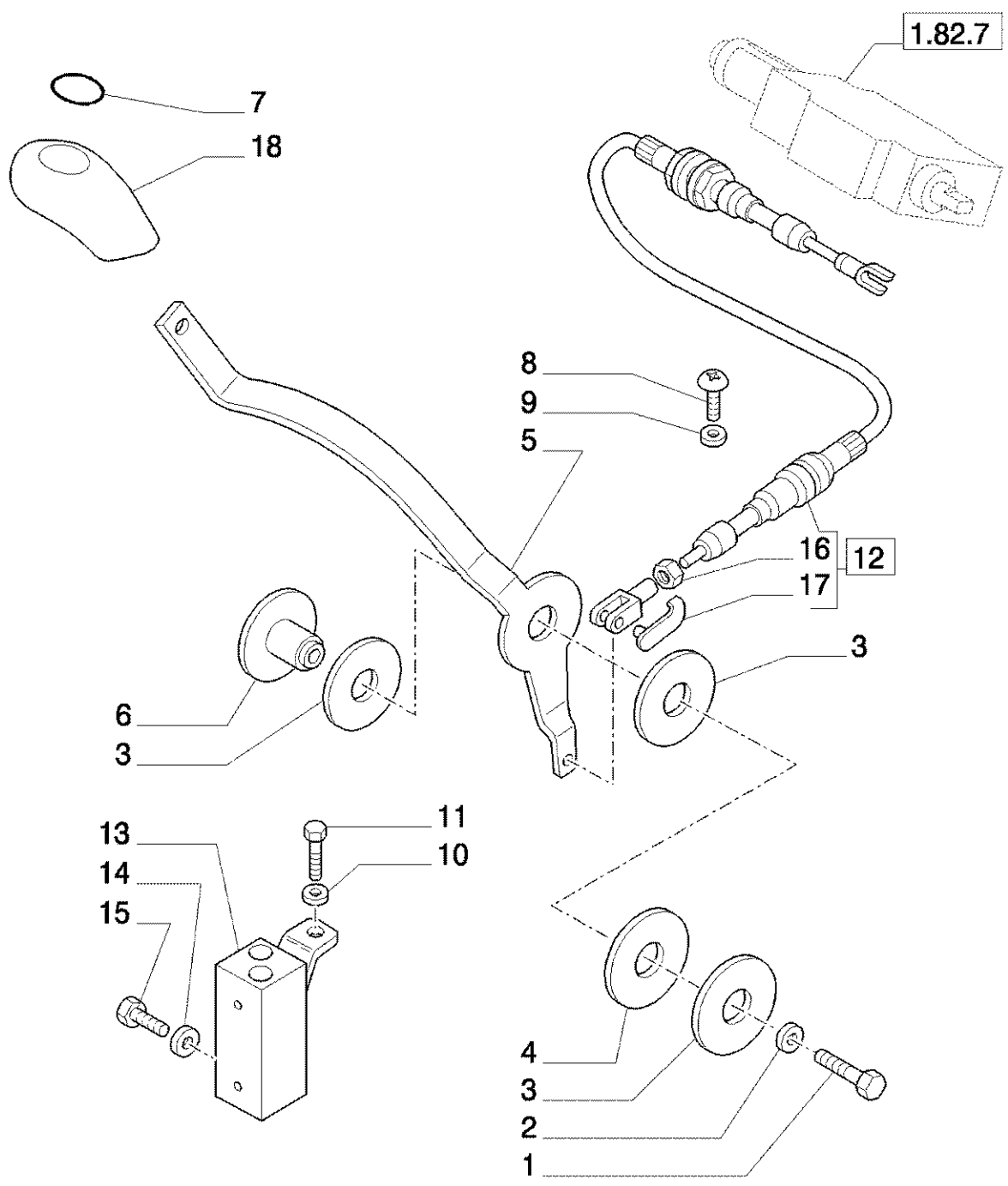
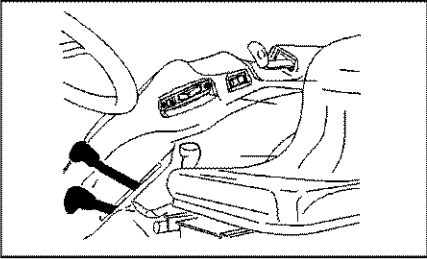
1.92.82(02) EXTERNE BESTURING ELEVADOR

Ref	Onderdeelnummer	Kwt	Beschrijving
1	47125914	1	STEUN,
2	13276477	2	SCHROEF, Cross Pan Hd, M6 x 20, 12.9,
3	10519477	2	VEERRING, 6x12
4	87570910	1	HEFBOOM,
5	5128637	1	PEN,
6	86507012	4	RING, SNAP, M6, Ext,
7	5183050	1	KABEL,
8	47125425	1	DRUKKNOP,
9	5128638	1	VEER,
10	11063876	2	KLEM,

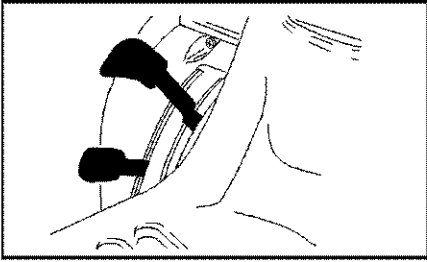


1.92.82(03) CABINE - EXTERNE BESTURING ELEVATOR

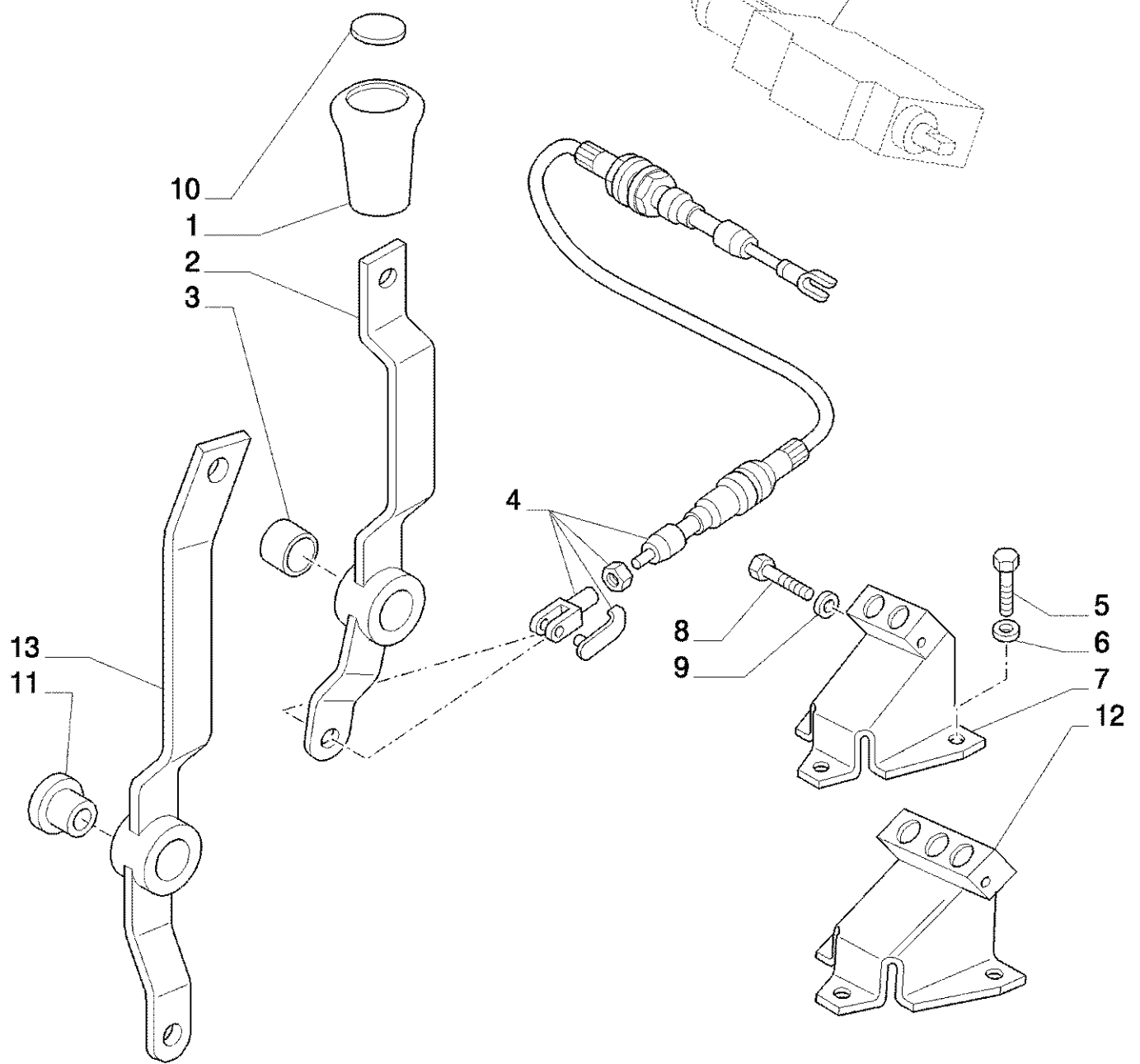
Ref	Onderdeelnummer	Kwt	Beschrijving
1	47127819	1	PEN,
2	11066974	2	RING, SNAP, M21, Ext, D=21
3	5134736	2	SCHROEF, M8x20
4	11193874	2	WASHER, SPRING, Belleville, M8.4, 8x16
5	47127856	1	DEKSEL,
6	47127840	1	DICHTINGSSTUK,



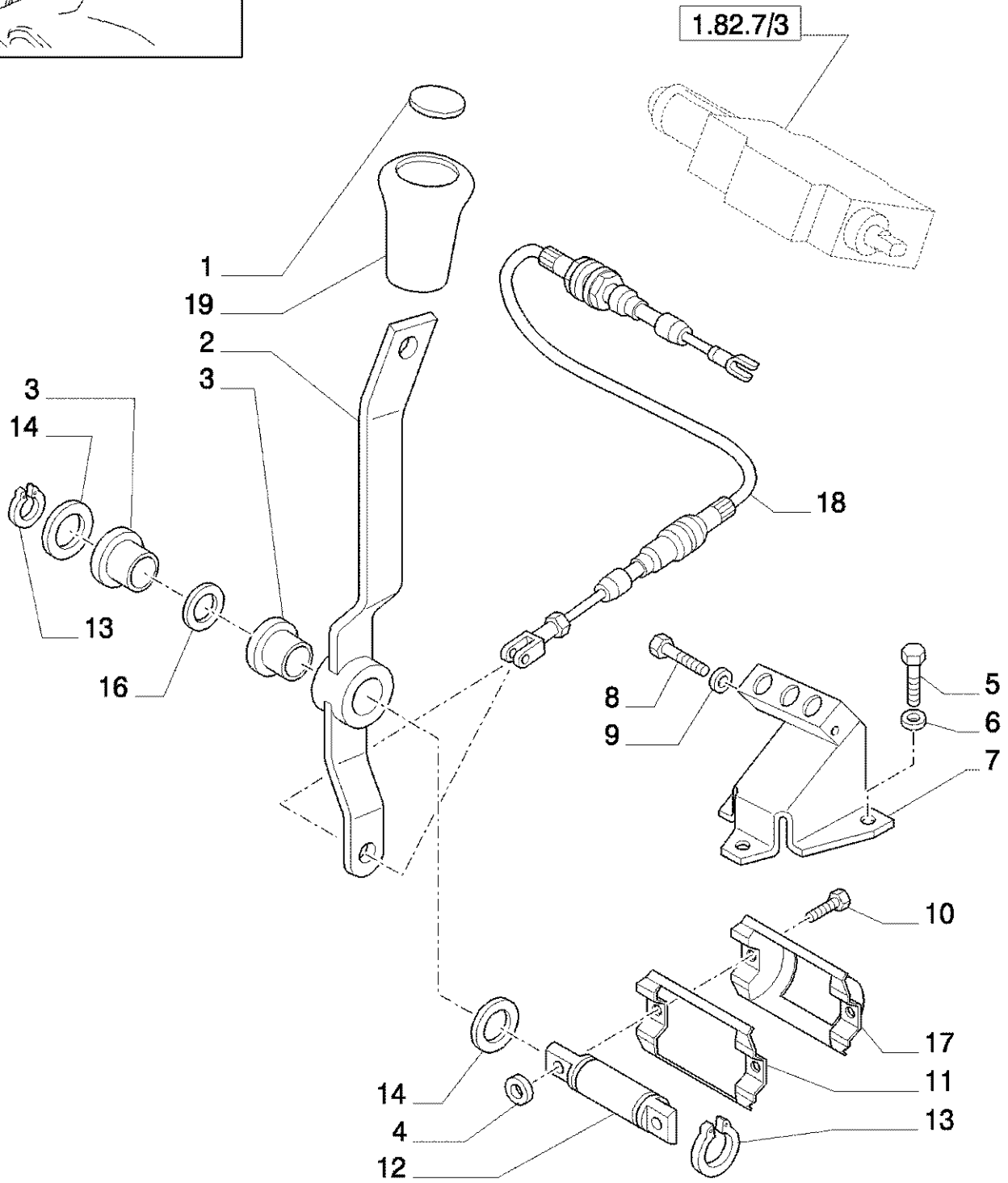
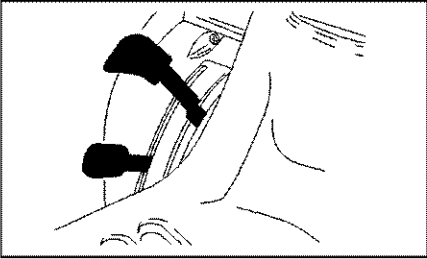
Ref	Onderdeelnummer	Kwt	Beschrijving
2	11190674	1	WASHER, SPRING, Belleville, M10.5,
3	5170694	3	AFSTANDSRING,
4	5170693	1	AFSTANDSRING,
5	5175513	1	HEFBOOM,
6	5181731	1	PEN, , BSN HJE065795
6	87378227	1	PEN, , ASN HJE065796
7	47056425	1	KOMBEKLEDING, GREEN
8	14358920	1	SCHROEF, Hex Soc Hd, M5 x 45, 8.8,
9	11181574	1	WASHER, SPRING, Belleville, M5.3,
10	11193874	1	WASHER, SPRING, Belleville, M8.4, 8x16
11	16043224	1	BOUT, Hex, M8 x 16, 8.8, Full Thd,
12	5199208	1	KABEL,
13	5180579	1	PLAAT,
14	11190574	1	WASHER, SPRING, Belleville, M10.5,
16	9971642	AR	MOER,
17	9971641	AR	VORK,
18	47056483	1	KNOP, GREEN
1	15970624	1	BOUT, Hex, M10 x 1.25 x 22, 8.8, Full Thd,
15	15970524	1	BOUT, Hex, M10 x 1.25 x 20, 8.8, Full Thd,



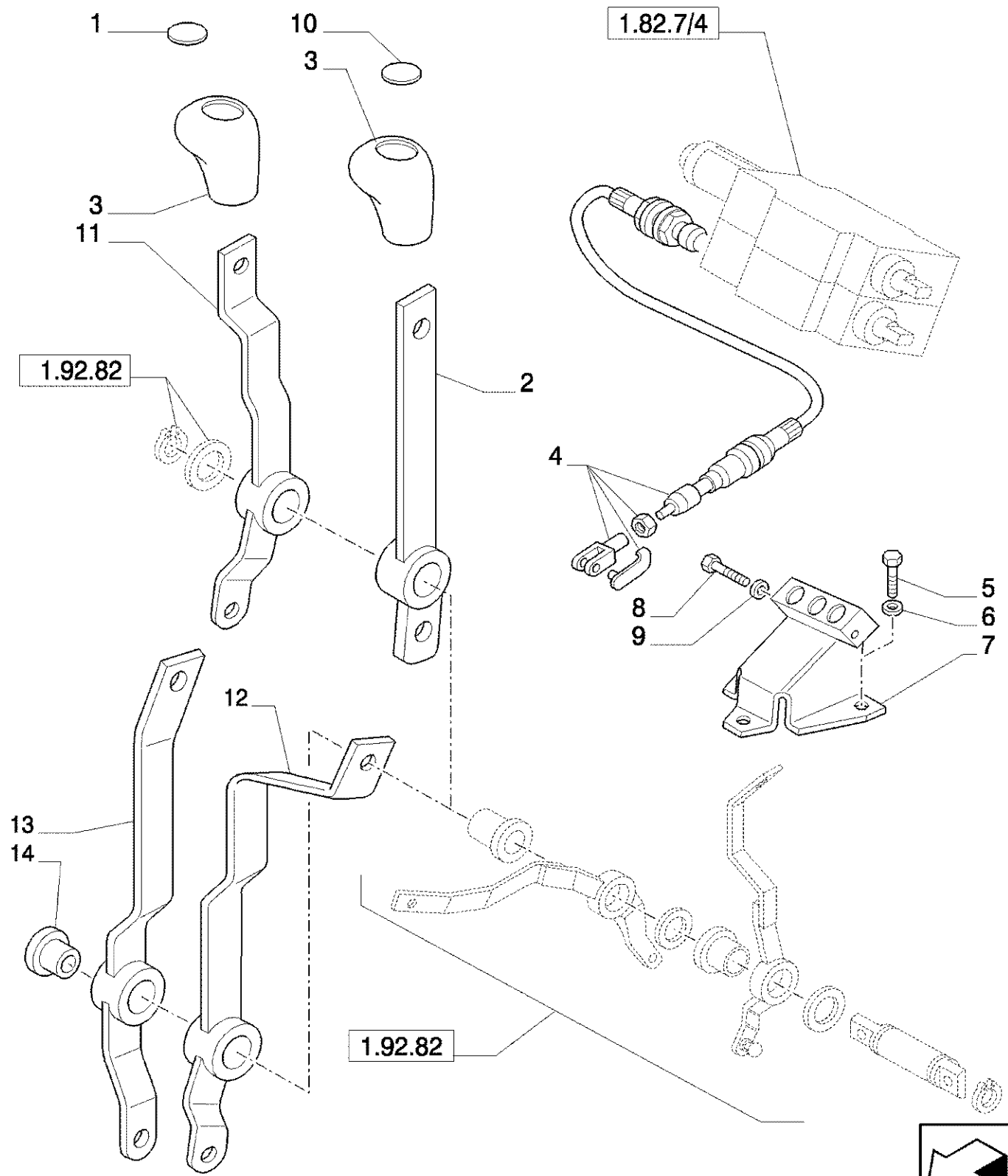
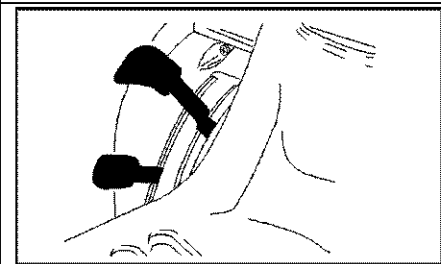
1.82.7/2



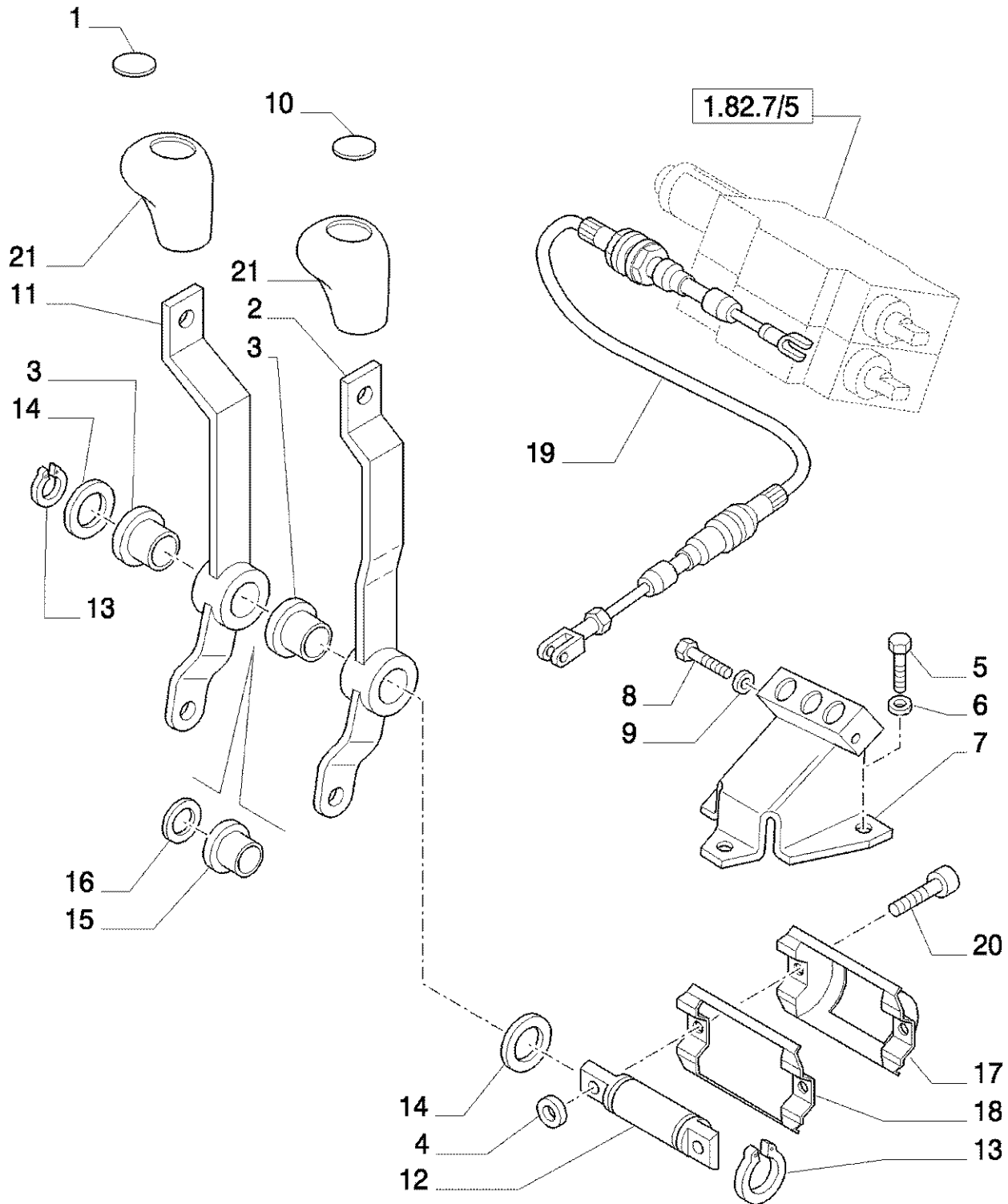
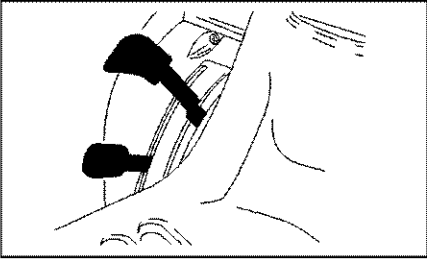
Ref	Onderdeelnummer	Kwt	Beschrijving
1	47056483	1	KNOP,
2	5175883	1	HEFBOOM, , BSN HJE030921
3	5154839	1	AFSTANDSRING,
4	5199209	1	KABEL,
5	16043224	3	BOUT, Hex, M8 x 16, 8.8, Full Thd,
6	11193974	3	WASHER, SPRING, Belleville, M8.4, M8
7	5180581	1	STEUN, , BSN HJE030921
8	14301624	1	SCHROEF, Hex Soc Hd, M5 x 70, 8.8,
9	11181574	1	WASHER, SPRING, Belleville, M5.3,
10	47056425	1	KOMBEKLEDING, GREEN
11	5154842	1	LAGERBUS, , ASN HJE030922
12	47127691	1	STEUN, , ASN HJE030922
13	47124727	1	HEFBOOM, , ASN HJE030922



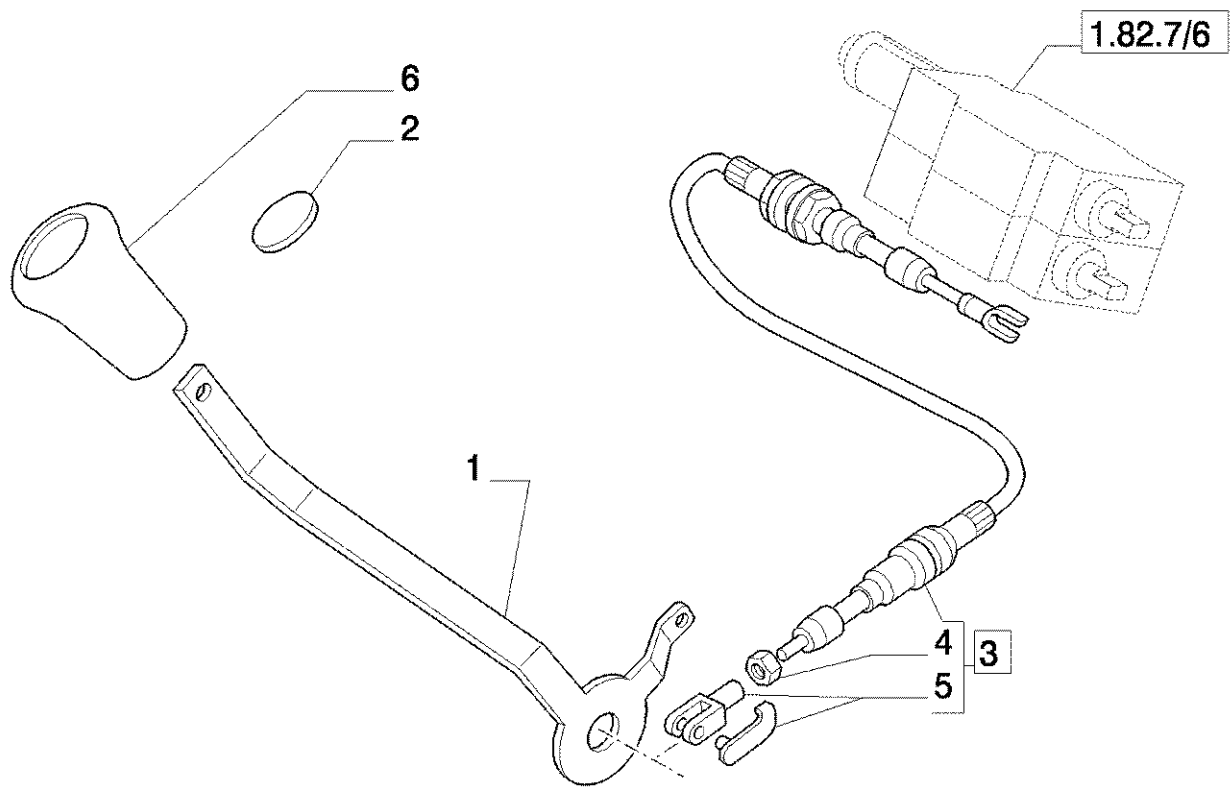
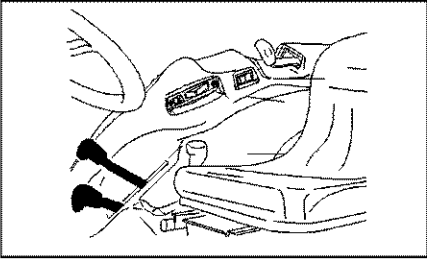
Ref	Onderdeelnummer	Kwt	Beschrijving
1	47056425	1	KOMBEKLEDING, GREEN
2	47128520	1	HEFBOOM,
3	5154842	1	LAGERBUS,
4	11193874	2	WASHER, SPRING, Belleville, M8.4, 8X16
5	16043224	3	BOUT, Hex, M8 x 16, 8.8, Full Thd,
6	11193974	3	WASHER, SPRING, Belleville, M8.4, M8
7	47127691	1	STEUN,
8	14301624	1	SCHROEF, Hex Soc Hd, M5 x 70, 8.8,
9	11181574	1	WASHER, SPRING, Belleville, M5.3,
10	5134736	1	SCHROEF, M8X20
11	47127856	1	DEKSEL,
12	47127819	1	PEN,
13	11066974	2	RING, SNAP, M21, Ext,
14	5126031	2	SLUITRING, D = 35 x 21 x 2
15	5154839	3	AFSTANDSRING, 21X35X22
16	5154840	1	DIKTEPLAAT,
17	47127840	1	DICHTINGSSTUK,
18	5199209	1	KABEL,
19	47056483	1	KNOP,



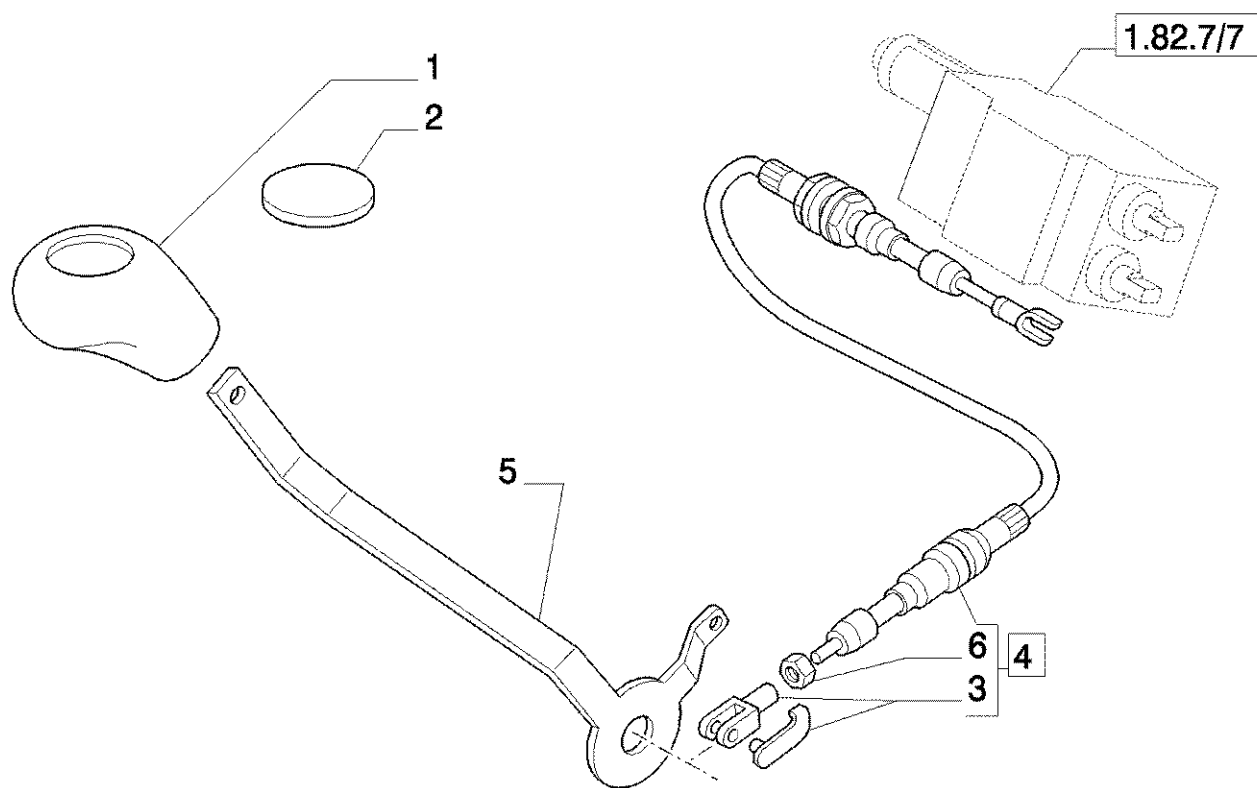
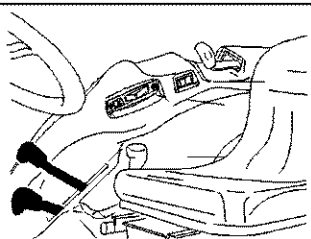
Ref	Onderdeelnummer	Kwt	Beschrijving
1	47056425	1	KOMBEKLEDING,
2	5175883	1	HEFBOOM, , BSN HJE030921
3	47056483	2	KNOP,
4	5199209	1	KABEL,
5	16043224	3	BOUT, Hex, M8 x 16, 8.8, Full Thd,
6	11193974	3	WASHER, SPRING, Belleville, M8.4, M8
7	47127691	1	STEUN,
8	14301624	1	SCHROEF, Hex Soc Hd, M5 x 70, 8.8,
9	11181574	1	WASHER, SPRING, Belleville, M5.3,
10	47056426	1	KOMBEKLEDING,
11	5175886	1	HEFBOOM, , BSN HJE030921
12	47127677	1	HEFBOOM, , ASN HJE030922
13	47124727	1	HEFBOOM, , ASN HJE030922
14	5154842	1	LAGERBUS, , ASN HJE030922



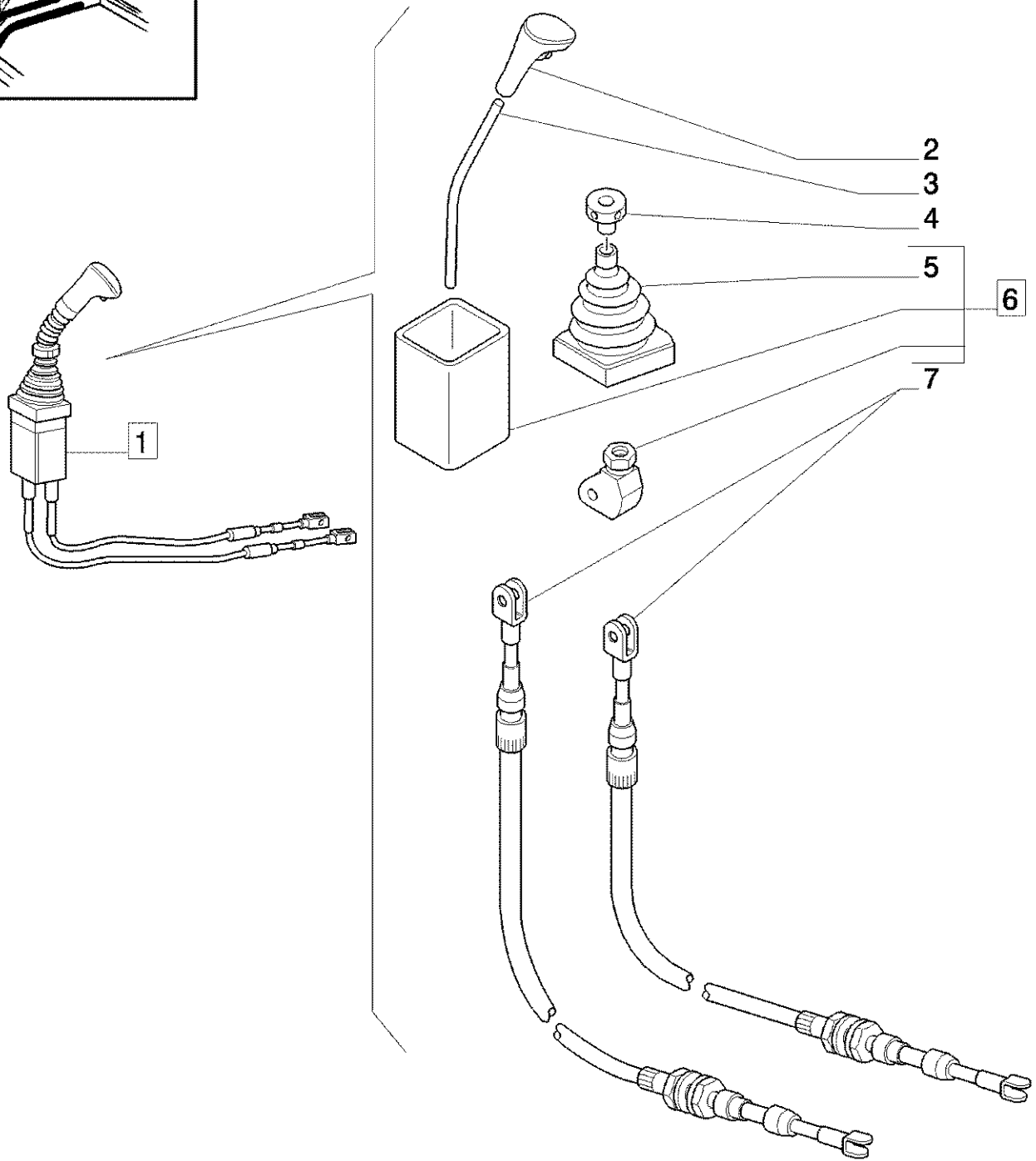
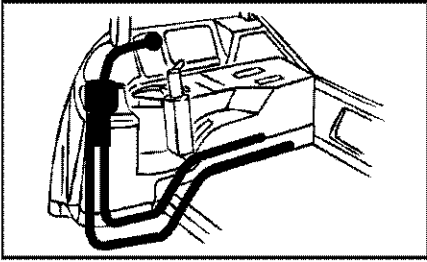
Ref	Onderdeelnummer	Kwt	Beschrijving
1	47056426	1	KOMBEKLEDING, BLUE
2	47128520	1	HEFBOOM,
3	5154842	3	LAGERBUS,
3	5154842	1	LAGERBUS,
4	11193874	2	WASHER, SPRING, Belleville, M8.4, 8x16
5	16043224	3	BOUT, Hex, M8 x 16, 8.8, Full Thd,
6	11193974	3	WASHER, SPRING, Belleville, M8.4, M8
7	47127691	1	STEUN,
8	14301624	1	SCHROEF, Hex Soc Hd, M5 x 70, 8.8,
9	11181574	1	WASHER, SPRING, Belleville, M5.3,
10	47056425	1	KOMBEKLEDING, GREEN
11	47128519	1	HEFBOOM,
12	47127819	1	PEN,
13	11066974	2	RING, SNAP, M21, Ext,
14	5126031	2	SLUITRING, D = 35 x 21 x 2
15	5154839	2	AFSTANDSRING, 21x35x22
16	5154840	1	DIKTEPLAAT,
17	47127840	1	DICHTINGSSTUK,
18	47127856	1	DEKSEL,
19	5199209	2	KABEL,
20	5134736	2	SCHROEF, M8x20
21	47056483	2	KNOP,



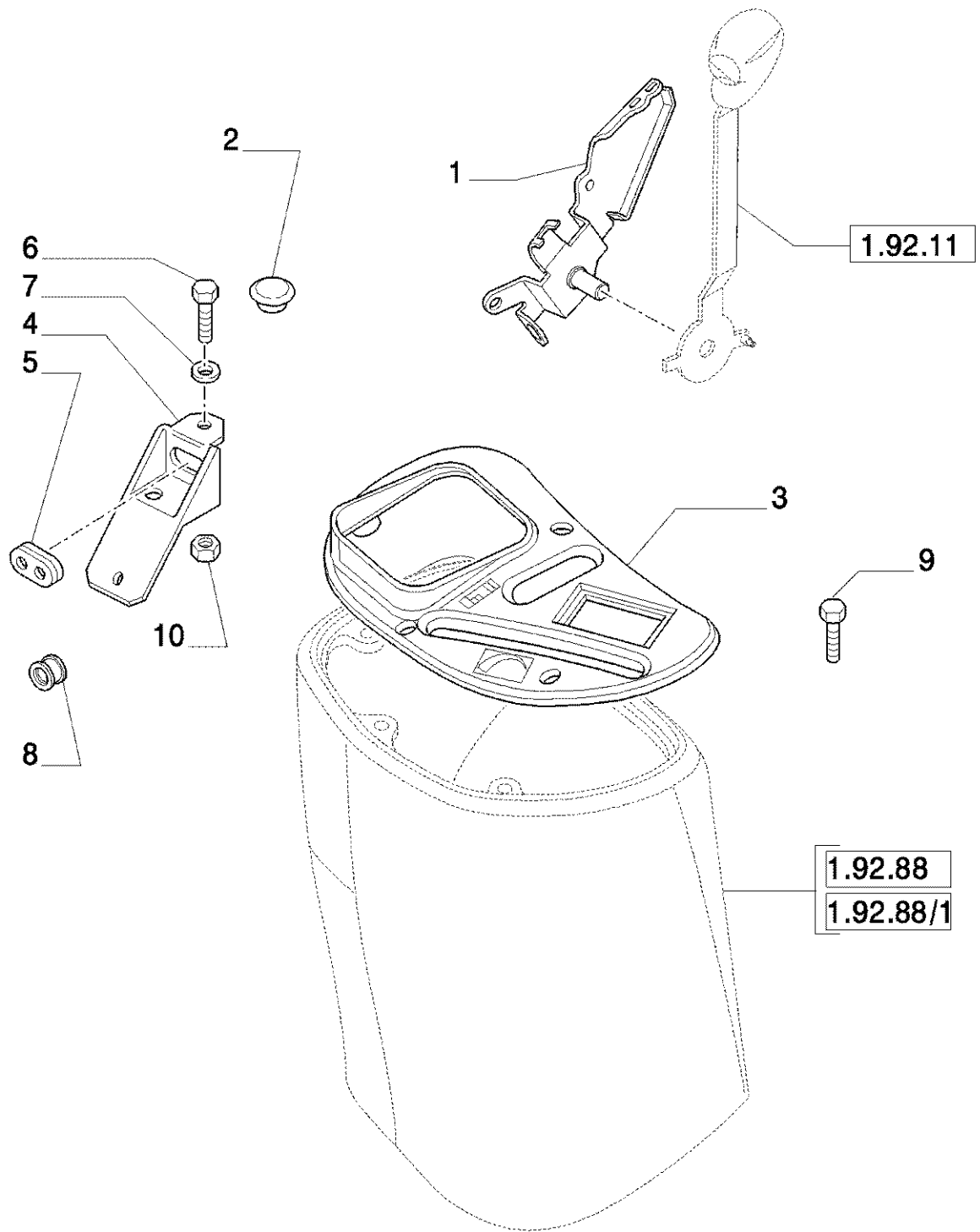
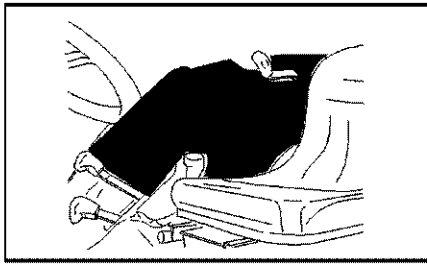
Ref	Onderdeelnummer	Kwt	Beschrijving
1	5175512	1	HEFBOOM,
2	47056426	1	KOMBEKLEDING, BLEU
3	5175517	1	KABEL,
4	9971642	AR	MOER,
5	9971641	AR	VORK,
6	47056483	1	KNOP,



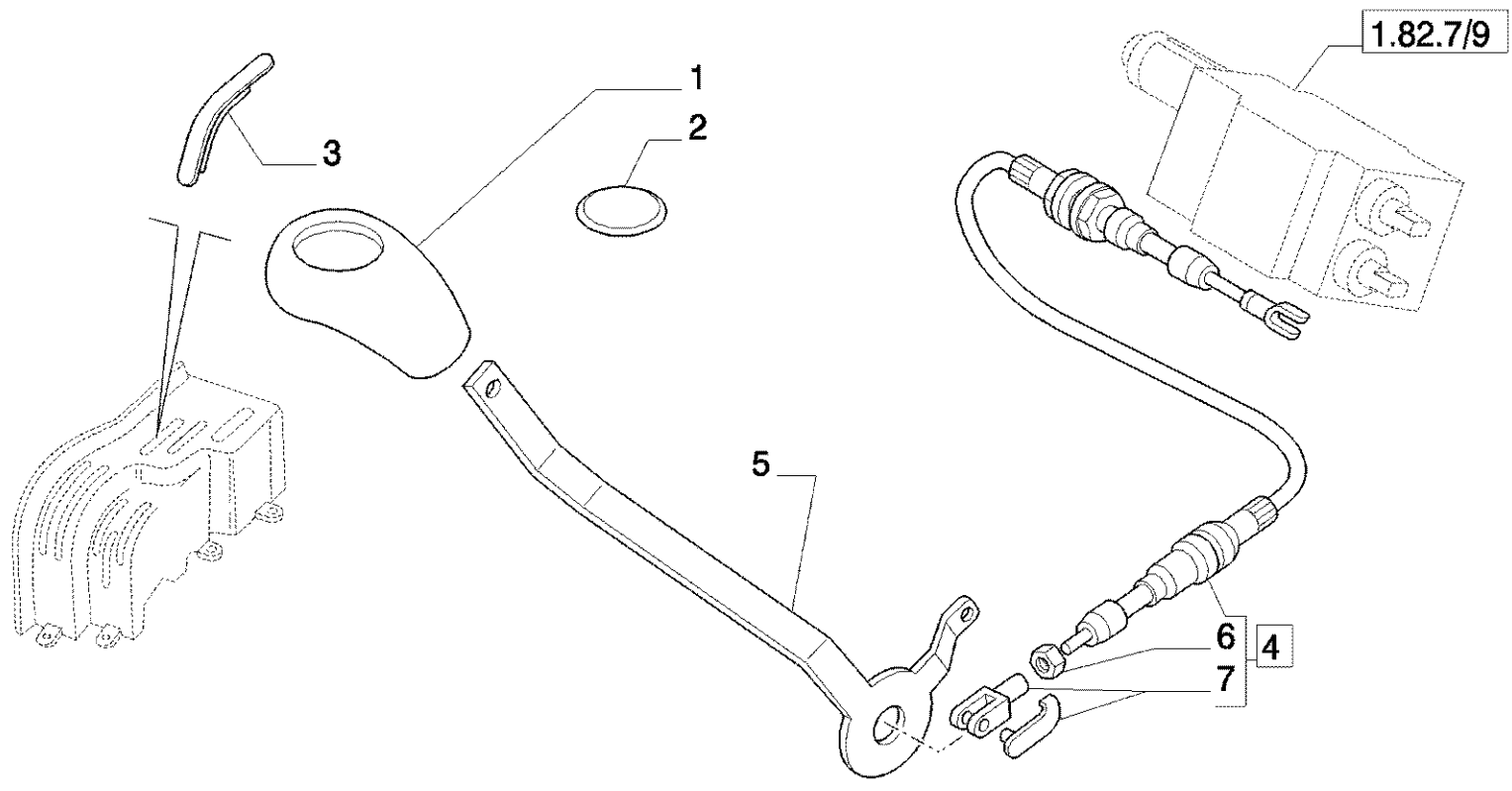
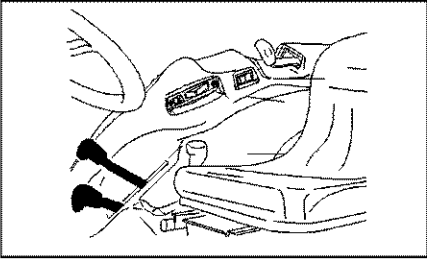
Ref	Onderdeelnummer	Kwt	Beschrijving
1	47056483	1	KNOP,
2	47056426	1	KOMBEKLEDING, BLUE
3	9971641	AR	VORK,
4	5199208	2	KABEL,
5	5175512	1	HEFBOOM,
6	9971642	AR	MOER,



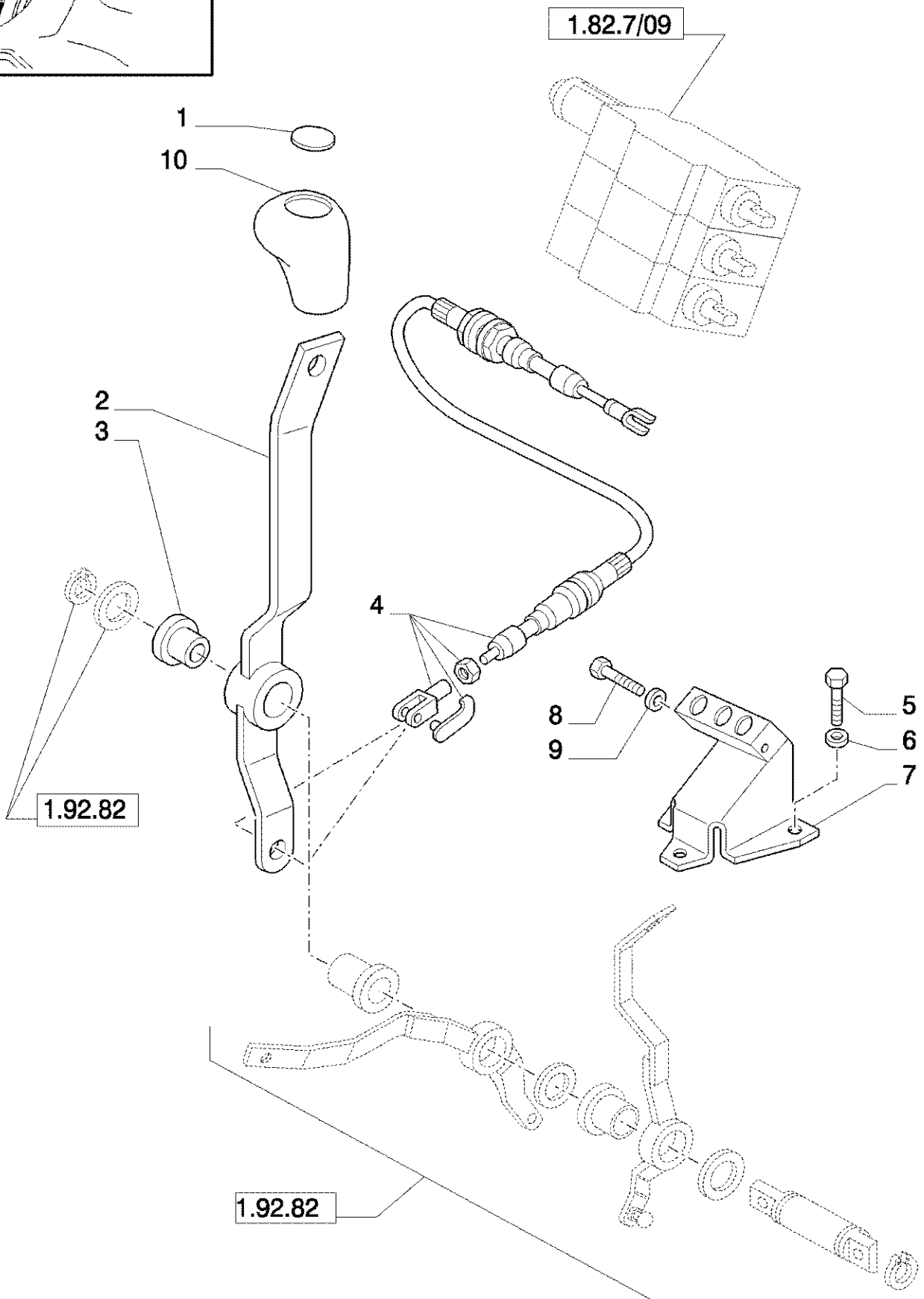
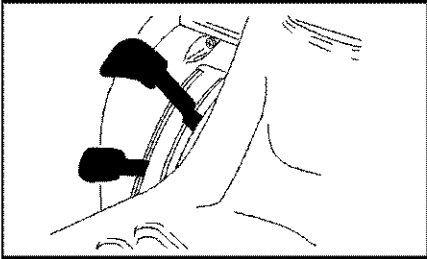
Ref	Onderdeelnummer	Kwt	Beschrijving
1	47128614	1	BEDIENING,
2	5199867	1	KNOP,
3	5199868	1	STANG,
4	5199871	1	STEUN,
5	5199869	1	KABELDOORGANG,
6	47131620	1	SCHARNIER,
7	47128615	2	KABEL,



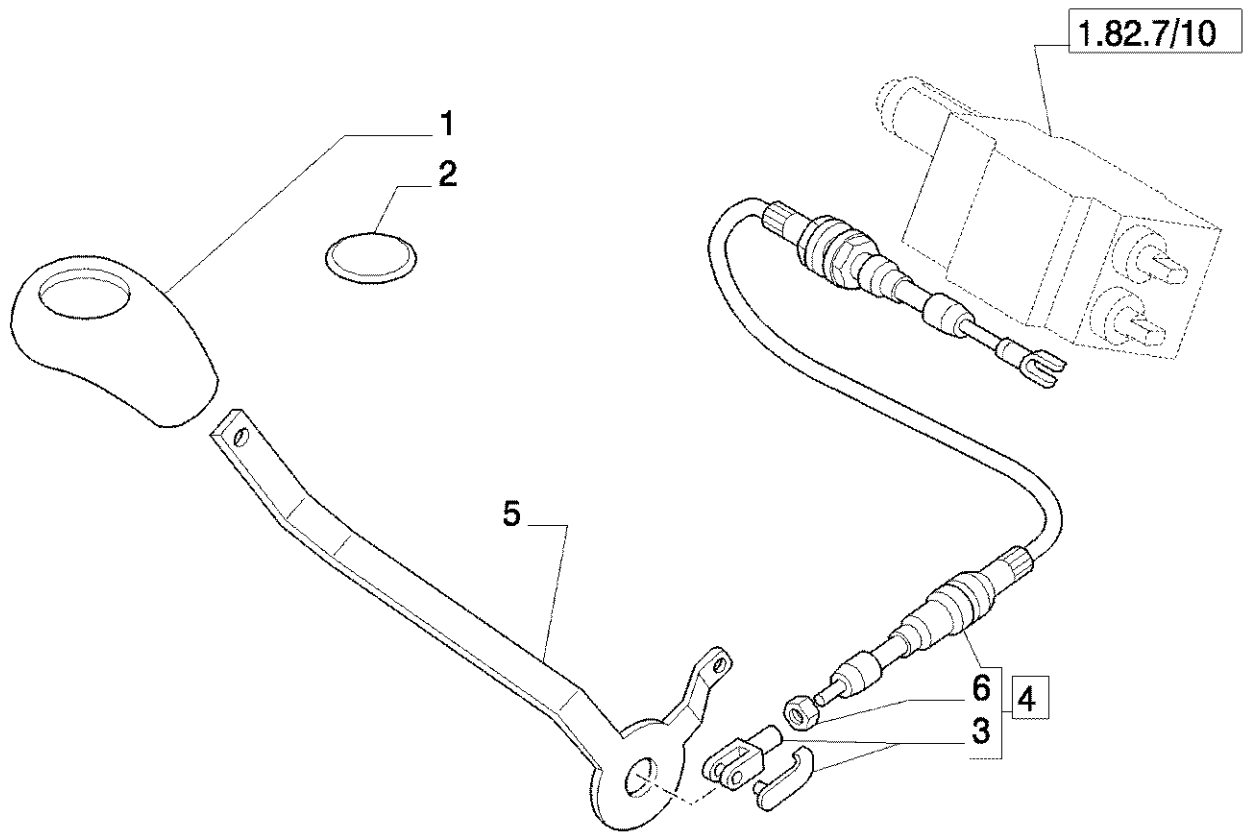
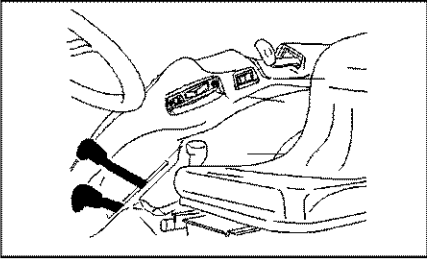
Ref	Onderdeelnummer	Kwt	Beschrijving
1	5198390	1	STEUN, , BSN HJE065795
1	87378644	1	STEUN, , ASN HJE065796
2	5155362	1	PLUG,
3	5177551	1	AFSCHERMING,
4	5185186	1	STEUNBEUGEL,
5	5185278	1	ISOLEERING,
6	13279177	1	SCHROEF, M8x14
6	13279277	1	SCHROEF, Cross Pan Hd, M8 x 16, 12.9,
6	16043224	2	BOUT, Hex, M8 x 16, 8.8, Full Thd,
6	16045024	2	BOUT, Hex, M8 x 90, 8.8,
7	14496521	2	SLUITRING, M8 x 17 x 1.6,
7	13578478	1	SLUITRING, M8 x 36 x 2.5, Stainless,
7	12642078	1	SLUITRING, M8 x 25 x 1.5, Stainless,
7	11193874	2	WASHER, SPRING, Belleville, M8.4, 8x16
8	10397480	1	KABELDOORGANG, 12x2.5
9	13271814	4	SCHROEF, Cross Pan Hd, M4 x 8,
10	16100811	2	MOER, M8, CI 8,



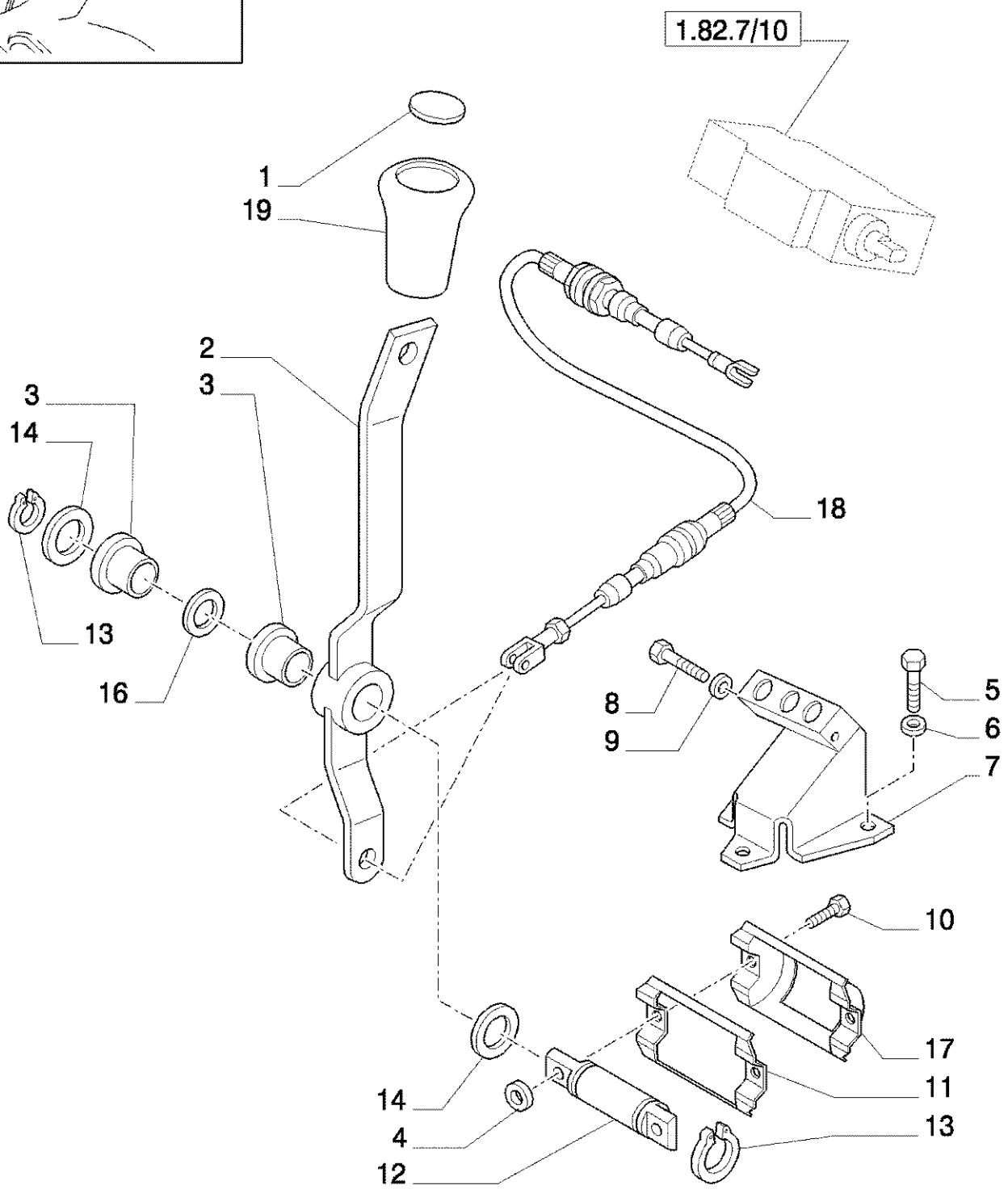
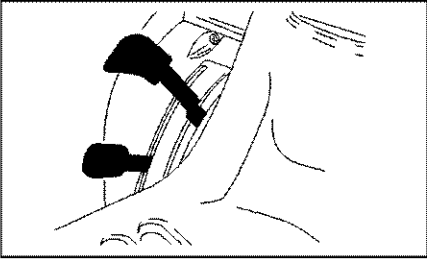
Ref	Onderdeelnummer	Kwt	Beschrijving
1	47056483	1	KNOP,
2	47056426	1	KOMBEKLEDING, BLUE
3	5182030	1	PLUG,
4	5199208	2	KABEL,
5	5175512	1	HEFBOOM,
6	9971642	AR	MOER,
7	9971641	AR	VORK,



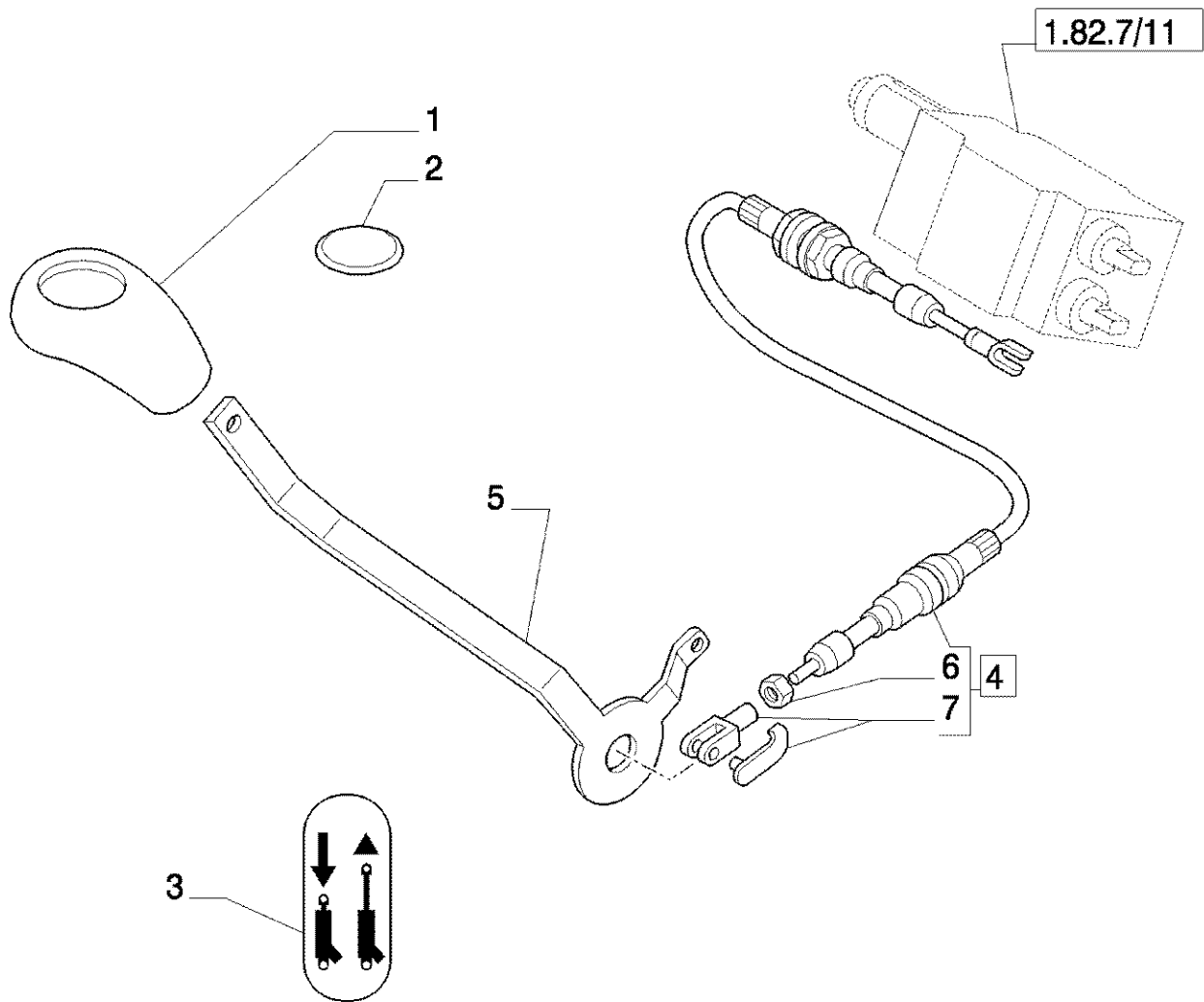
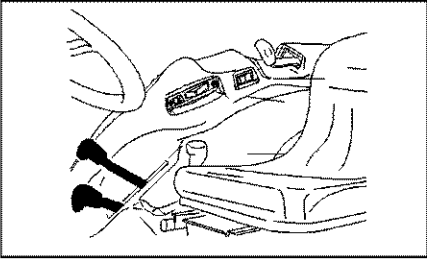
Ref	Onderdeelnummer	Kwt	Beschrijving
1	47057208	1	KOMBEKLEDING, BROWN
2	47124727	1	HEFBOOM,
3	5154839	1	AFSTANDSRING,
4	5199209	2	KABEL, 8x16
5	16043224	3	BOUT, Hex, M8 x 16, 8.8, Full Thd,
6	11193974	3	WASHER, SPRING, Belleville, M8.4, M8
7	47127691	1	STEUN,
8	14301624	1	SCHROEF, Hex Soc Hd, M5 x 70, 8.8,
9	11181574	1	WASHER, SPRING, Belleville, M5.3,
10	47056483	2	KNOP, M8x20



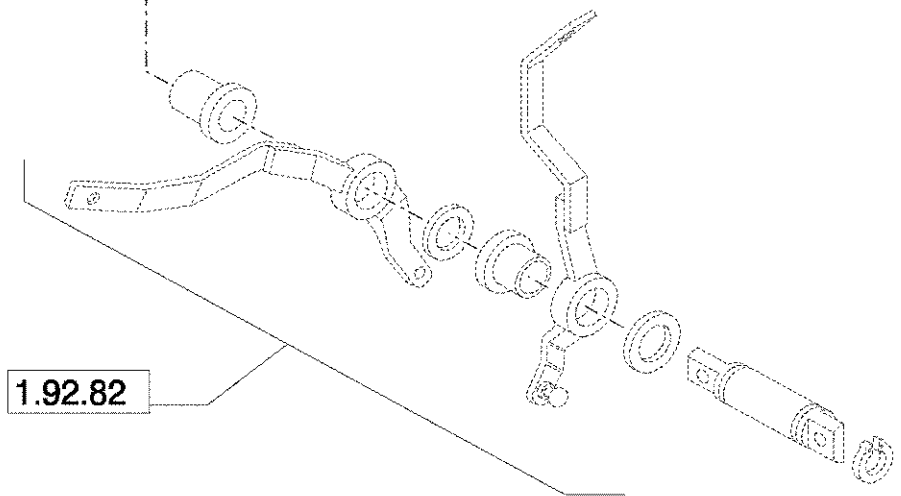
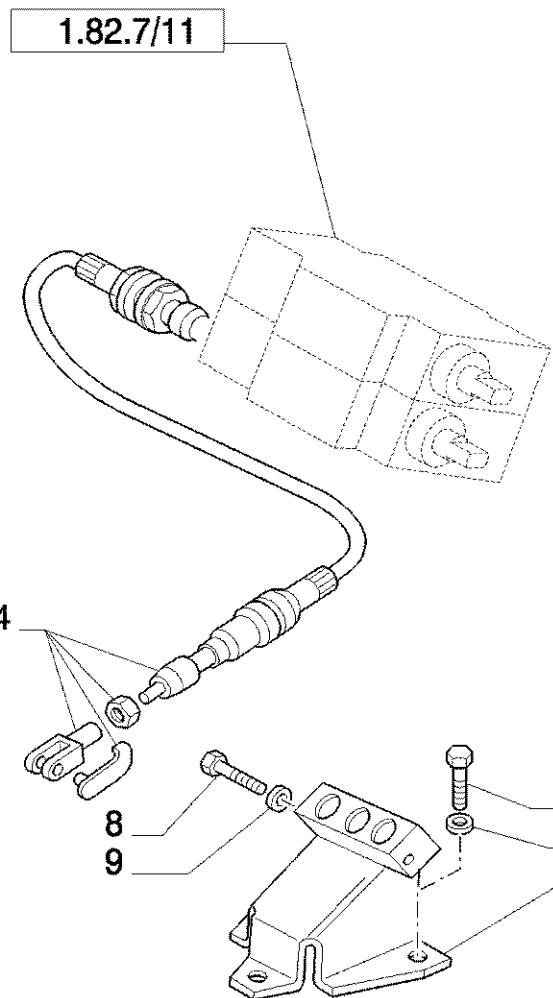
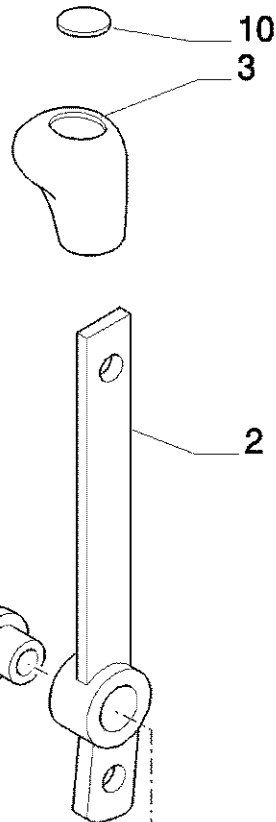
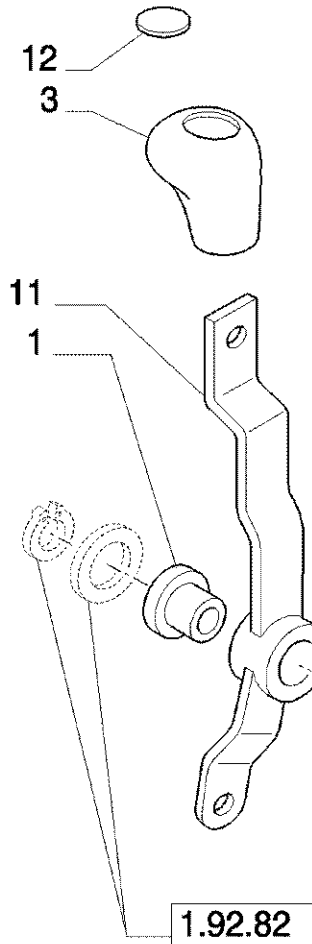
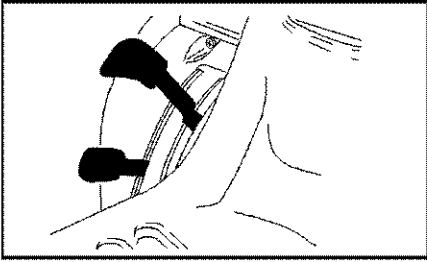
Ref	Onderdeelnummer	Kwt	Beschrijving
1	47056483	1	KNOP,
2	47056426	1	KOMBEKLEDING, BLUE
3	9971641	1	VORK,
4	5199208	2	KABEL,
5	5175512	1	HEFBOOM,
6	9971642	1	MOER,



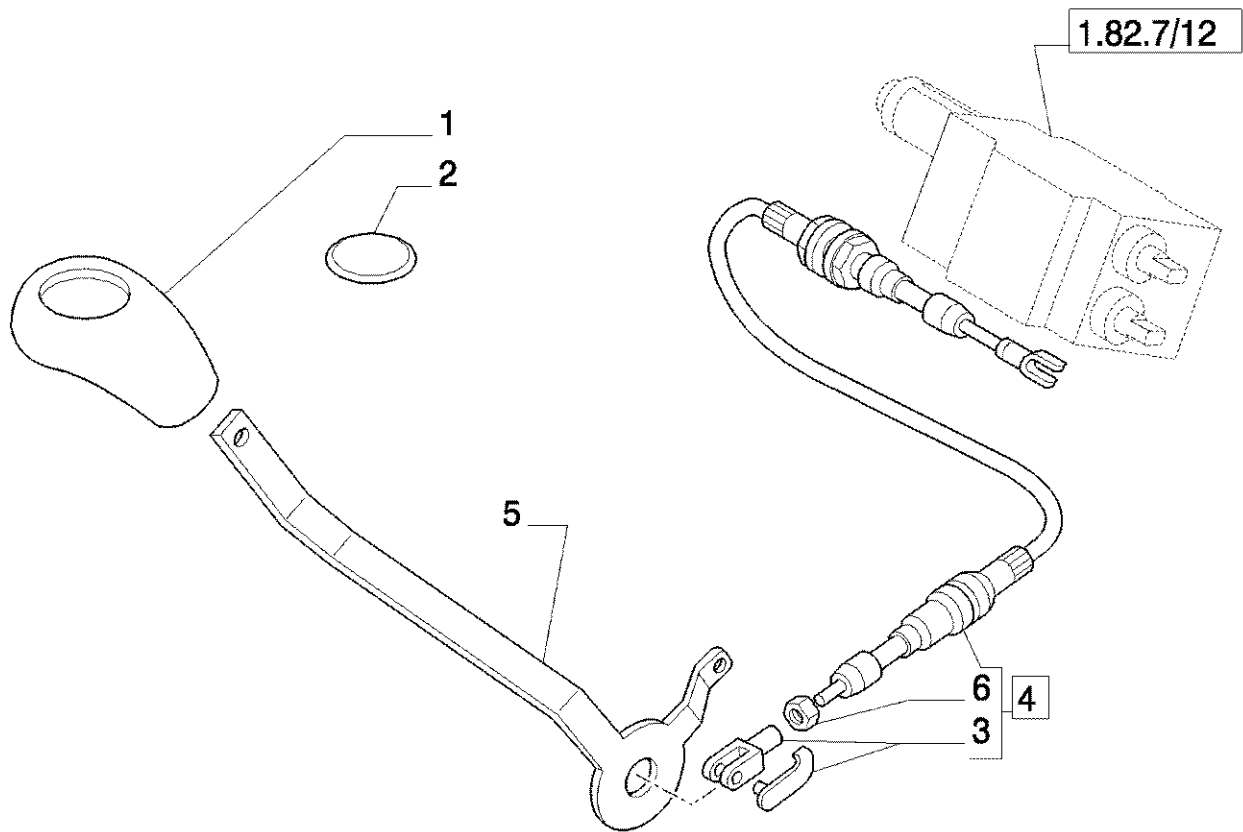
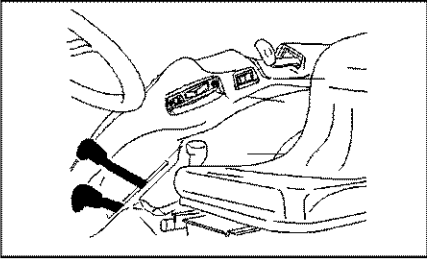
Ref	Onderdeelnummer	Kwt	Beschrijving
1	47057208	1	KOMBEKLEDING, BROWN
2	47128520	1	HEFBOOM,
3	5154842	2	LAGERBUS,
4	11193874	2	WASHER, SPRING, Belleville, M8.4, 8x16
5	16043224	3	BOUT, Hex, M8 x 16, 8.8, Full Thd,
6	11193974	3	WASHER, SPRING, Belleville, M8.4, M8
7	47127691	1	STEUN,
8	14301624	1	SCHROEF, Hex Soc Hd, M5 x 70, 8.8,
9	11181574	1	WASHER, SPRING, Belleville, M5.3,
10	5134736	2	SCHROEF, M8x20
11	47127856	1	DEKSEL,
12	47127819	1	PEN,
13	11066974	2	RING, SNAP, M21, Ext,
14	5126031	2	SLUITRING, D = 35 x 21 x 2
15	5154839	3	AFSTANDSRING, 21x35x22
16	5154840	1	DIKTEPLAAT,
17	47127840	1	DICHTINGSSTUK,
18	5199209	1	KABEL,
19	47056483	1	KNOP,



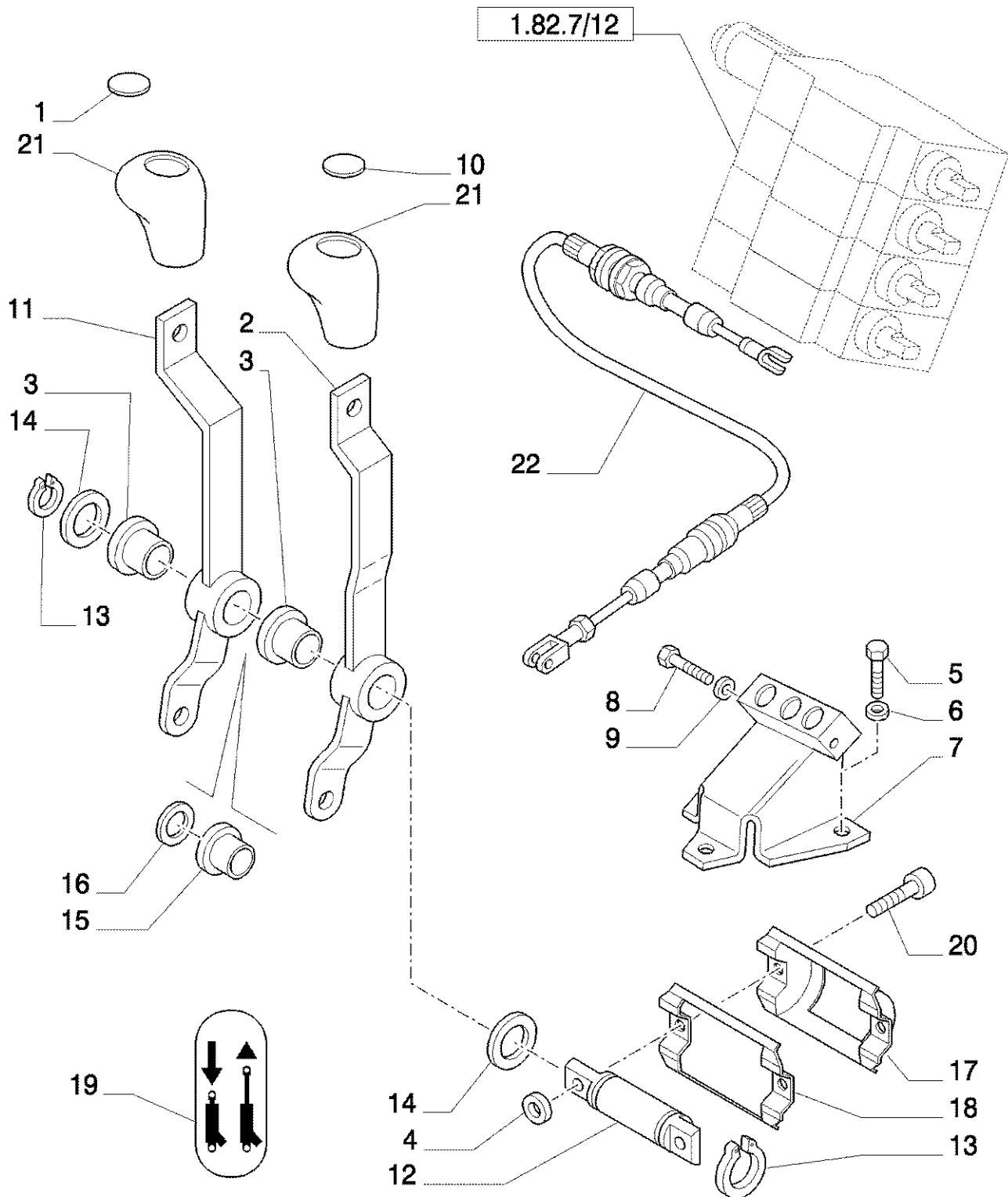
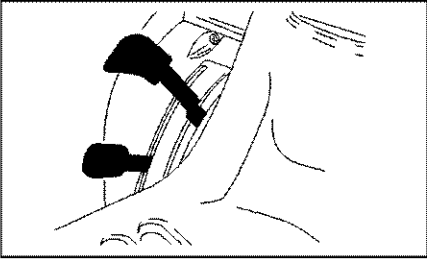
Ref	Onderdeelnummer	Kwt	Beschrijving
1	47056483	1	KNOP,
2	47056426	1	KOMBEKLEDING, BLUE
3	5185505	1	DECAL,
4	5199208	2	KABEL,
5	5175512	1	HEFBOOM,
6	9971642	AR	MOER,
7	9971641	AR	VORK,



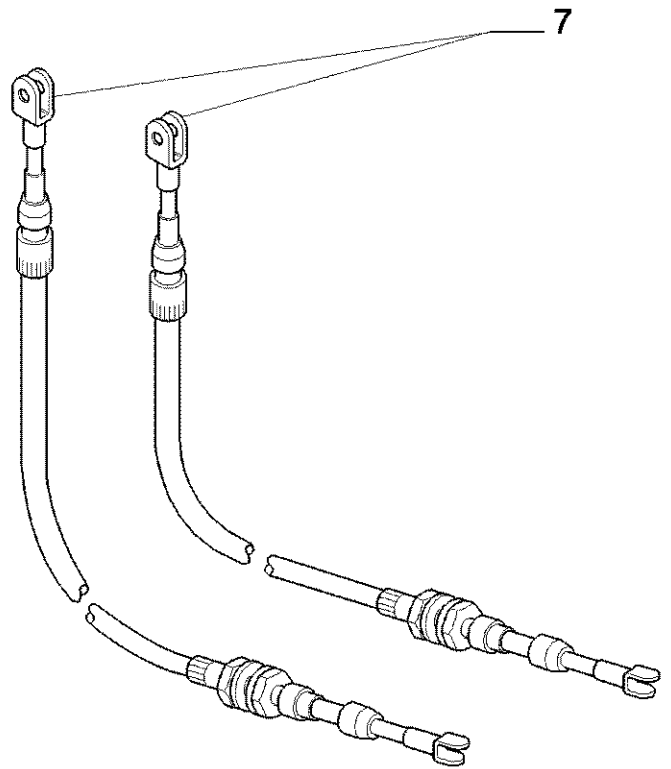
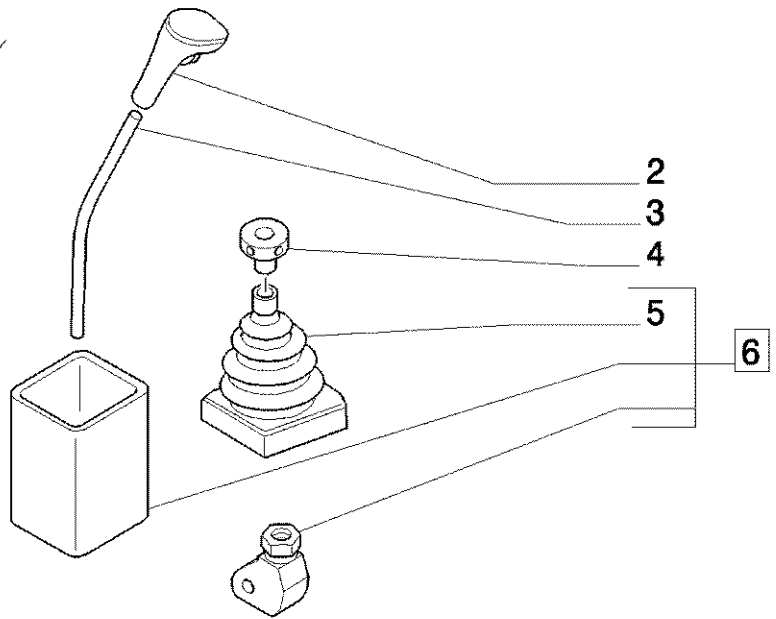
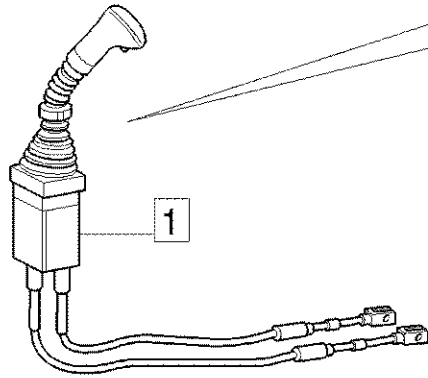
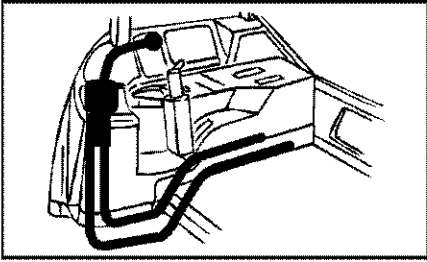
Ref	Onderdeelnummer	Kwt	Beschrijving
1	5154842	1	LAGERBUS,
2	47127677	1	HEFBOOM,
3	47056483	2	KNOP,
4	5199209	1	KABEL,
5	16043224	3	BOUT, Hex, M8 x 16, 8.8, Full Thd,
6	11193974	3	WASHER, SPRING, Belleville, M8.4, M8
7	47127691	1	STEUN,
8	14301624	1	SCHROEF, Hex Soc Hd, M5 x 70, 8.8,
9	11181574	1	WASHER, SPRING, Belleville, M5.3,
10	47056482	1	KNOP, BLACK
11	47124727	1	HEFBOOM,
12	5154842	2	LAGERBUS, BROWN



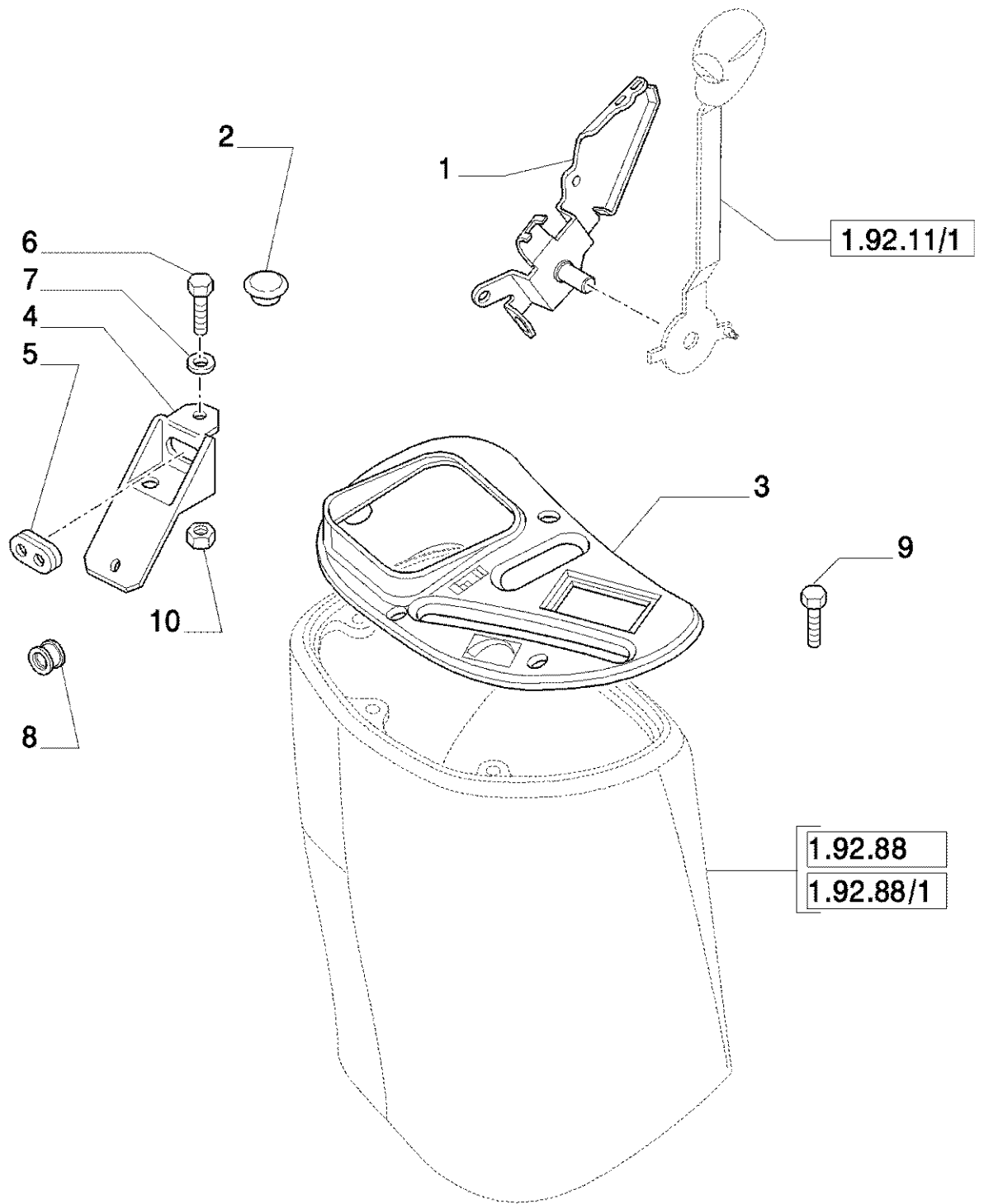
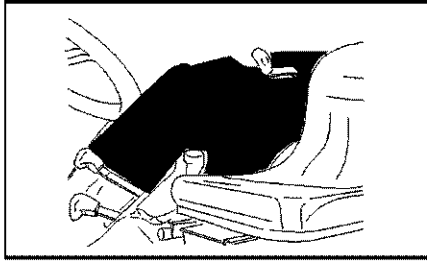
Ref	Onderdeelnummer	Kwt	Beschrijving
1	47056483	1	KNOP,
2	47056426	1	KOMBEKLEDING, BLUE
3	9971641	1	VORK,
4	5199208	2	KABEL,
5	5175512	1	HEFBOOM,
6	9971642	AR	MOER,



Ref	Onderdeelnummer	Kwt	Beschrijving
1	47057208	1	KOMBEKLEDING,
2	47128520	1	HEFBOOM,
3	5154842	2	LAGERBUS,
4	11193874	2	WASHER, SPRING, Belleville, M8.4, 8X16
5	16043224	3	BOUT, Hex, M8 x 16, 8.8, Full Thd,
6	11193974	3	WASHER, SPRING, Belleville, M8.4, M8
7	47127691	1	STEUN,
8	14301624	1	SCHROEF, Hex Soc Hd, M5 x 70, 8.8,
9	11181574	1	WASHER, SPRING, Belleville, M5.3,
10	47056428	1	KOMBEKLEDING,
11	47128519	1	HEFBOOM,
12	47127819	1	PEN,
13	11066974	2	RING, SNAP, M21, Ext,
14	5126031	2	SLUITRING, D = 35 x 21 x 2
15	5154839	2	AFSTANDSRING, 21X35X22
16	5154840	1	DIKTEPLAAT,
17	47127840	1	DICHTINGSSTUK,
18	47127856	1	DEKSEL,
19	5185505	1	DECAL,
20	5134736	2	SCHROEF, M8X20
21	47056483	1	KNOP,
22	5199209	2	KABEL,

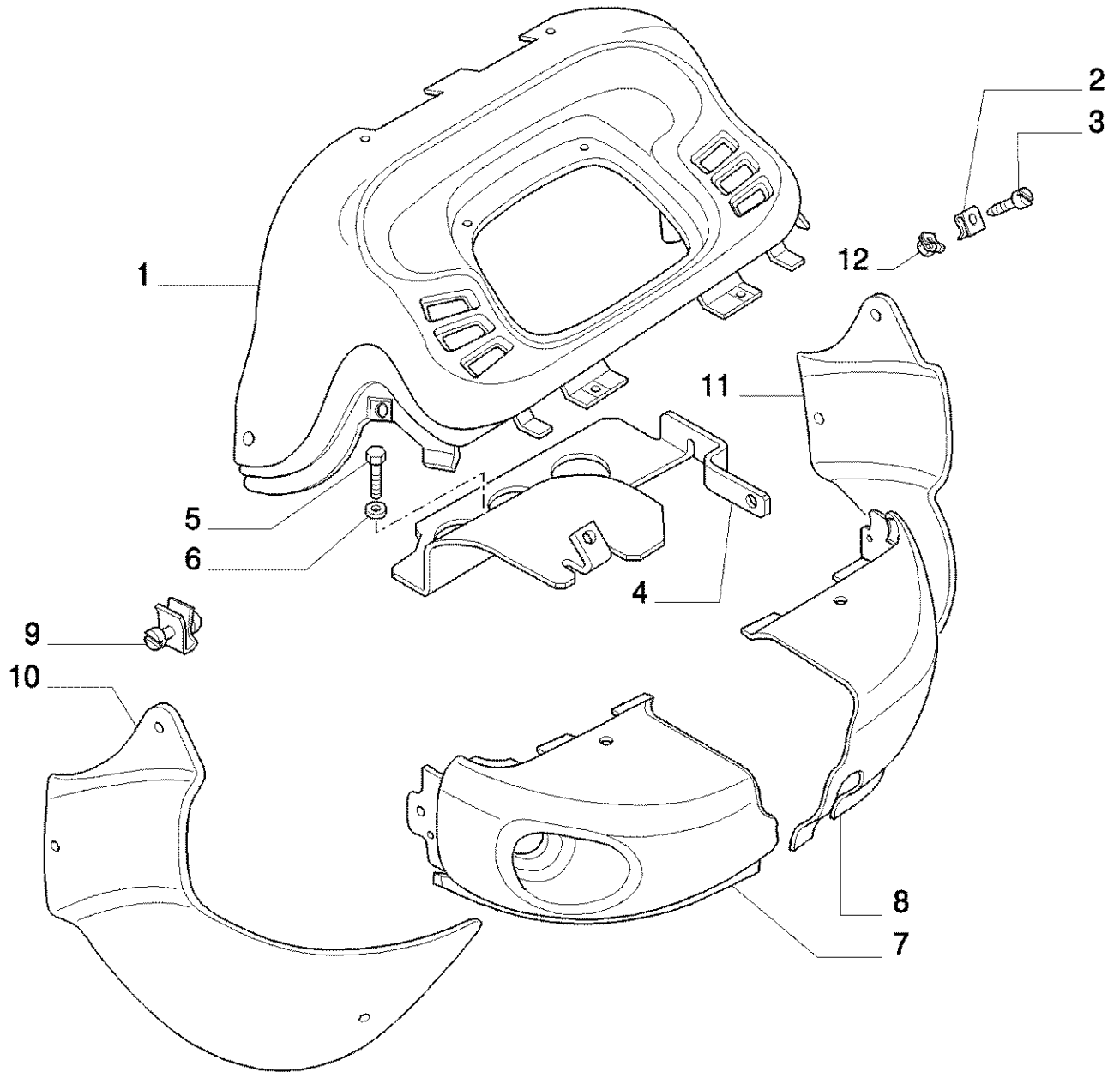
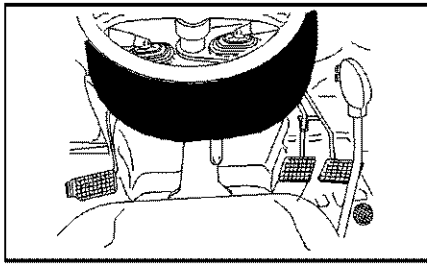


Ref	Onderdeelnummer	Kwt	Beschrijving
1	5199848	1	BEDIENING,
2	5199867	1	KNOP,
3	5199868	1	STANG,
4	5199871	1	STEUN,
5	5199869	1	KABELDOORGANG,
6	47131620	1	SCHARNIER,
7	5199872	2	KABEL,



Ref	Onderdeelnummer	Kwt	Beschrijving
1	5198390	1	STEUN, , BSN HJE065795
1	87378644	1	STEUN, , ASN HJE065796
2	5155362	1	PLUG,
3	5177551	1	AFSCHERMING, W/CAB
4	5185186	1	STEUNBEUGEL,
5	5185278	1	ISOLEERING,
6	13279177	1	SCHROEF, M8x14
6	13279277	1	SCHROEF, Cross Pan Hd, M8 x 16, 12.9,
6	16043224	2	BOUT, Hex, M8 x 16, 8.8, Full Thd,
6	16045024	2	BOUT, Hex, M8 x 90, 8.8,
7	14496521	2	SLUITRING, M8 x 17 x 1.6,
7	13578478	1	SLUITRING, M8 x 36 x 2.5, Stainless,
7	12642078	1	SLUITRING, M8 x 25 x 1.5, Stainless,
7	11193874	2	WASHER, SPRING, Belleville, M8.4, 8x16
8	10397480	1	KABELDOORGANG, 12x2.5
9	13271814	4	SCHROEF, Cross Pan Hd, M4 x 8,
10	16100811	2	MOER, M8, CI 8,

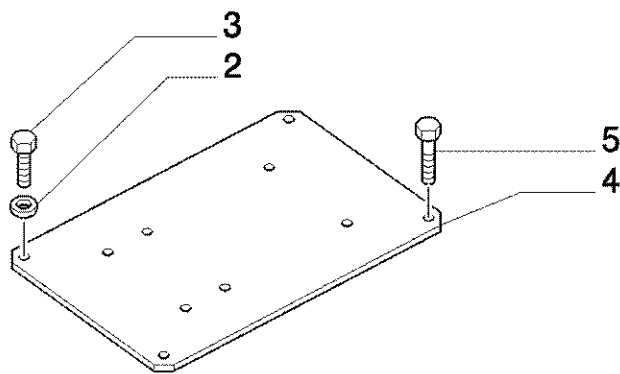
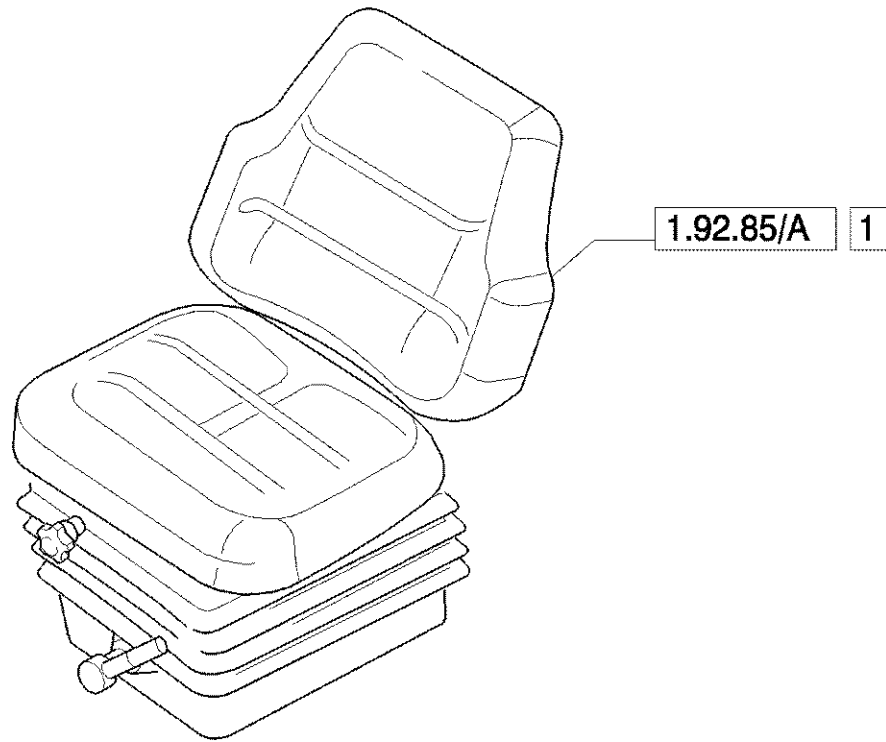
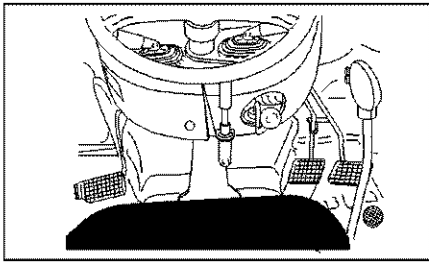
1.92.83 BEKLEDING BEDIENINGSBORDEN



1.92.83 BEKLEDING BEDIENINGSBORDEN

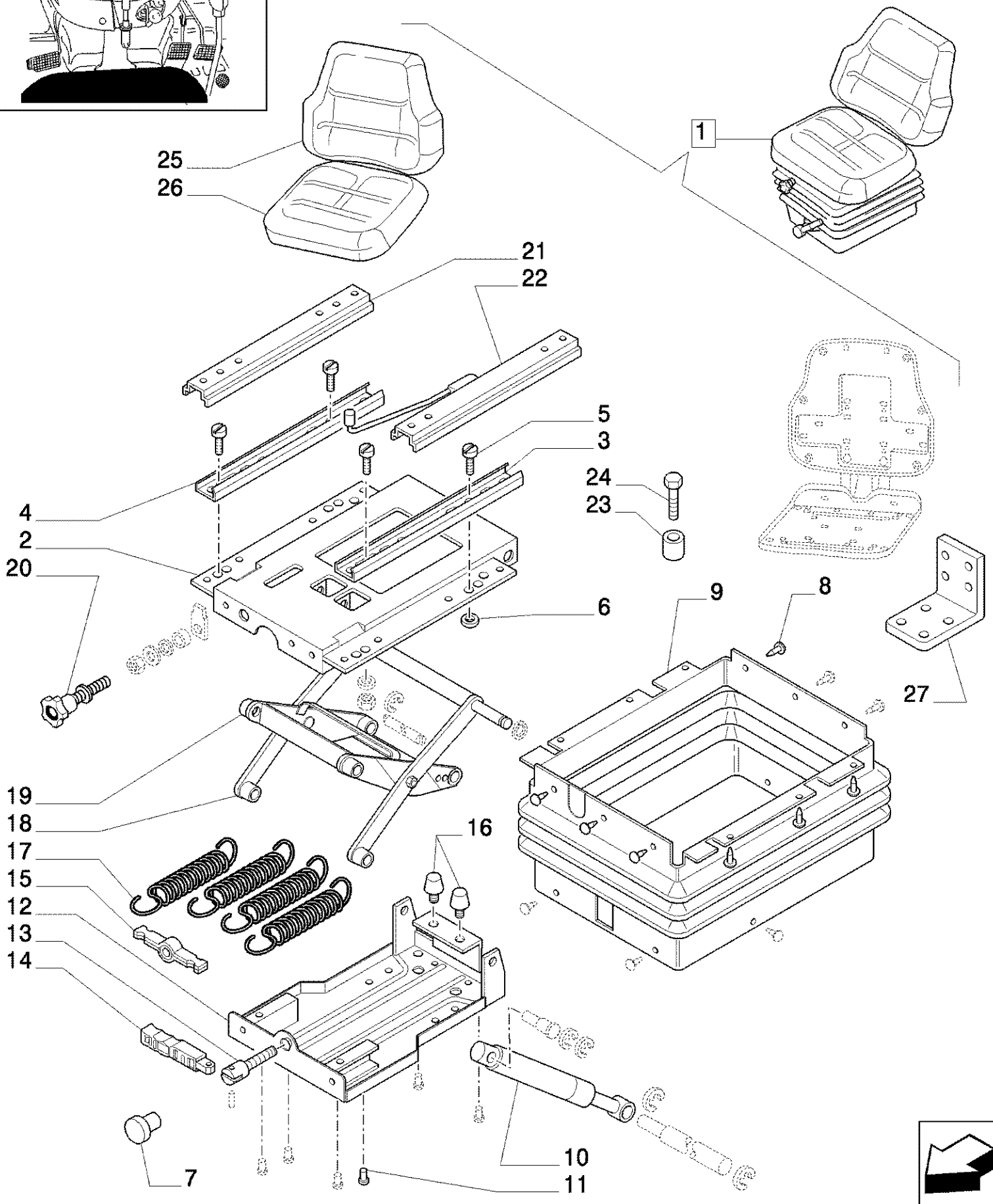
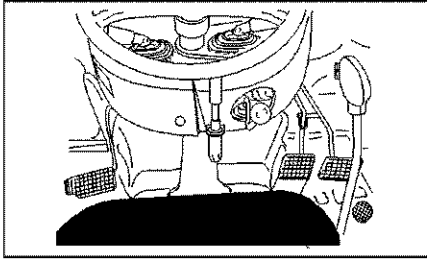
Ref	Onderdeelnummer	Kwt	Beschrijving
1	5175276	1	KAP,
2	5175702	2	STOPBEUGEL, , -C5348
2	14189974	9	MOER, J, #6,
3	5182249	9	SCHROEF, 8x13
4	5174515	1	STEUNBEUGEL, RH
5	10902224	2	BOUT, Hex, M6 x 16, 8.8, Full Thd,
6	10519404	1	SLUITRING, M6 x 11.95 x 1.6,
7	5175855	1	WAND, LH
8	5194915	1	DEKSEL, RH
8	5175854	1	WAND, RH, 370,375, VAR.404-405-843-838-839
9	5174673	6	KIT,
10	5175279	1	ZIJWAND, LH
11	5194913	1	ZIJWAND, RH
11	5175903	1	ZIJWAND, RH, 370,375, VAR.404-405-843-838-839
12	14372671	2	MOER, M4.2, U, 12.4mm long, , D5348-

1.92.85 ZETEL



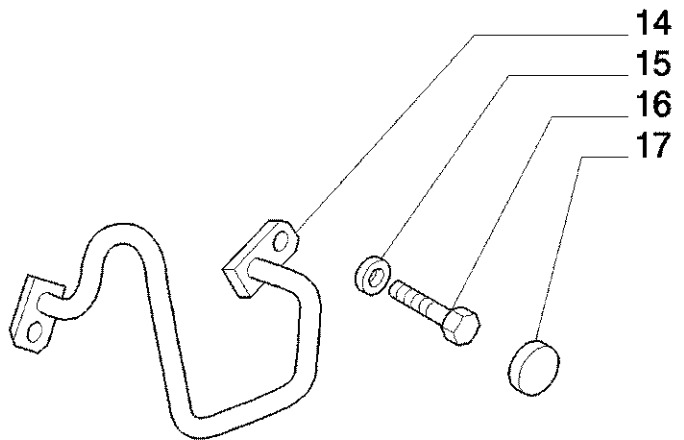
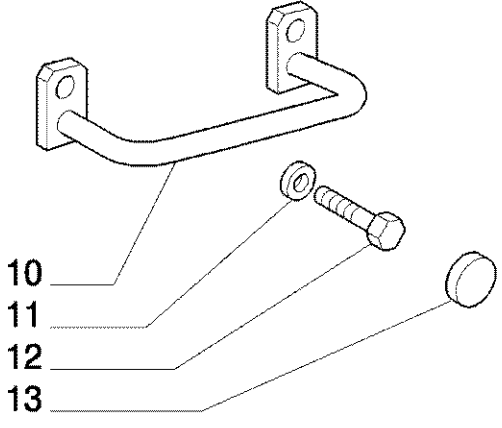
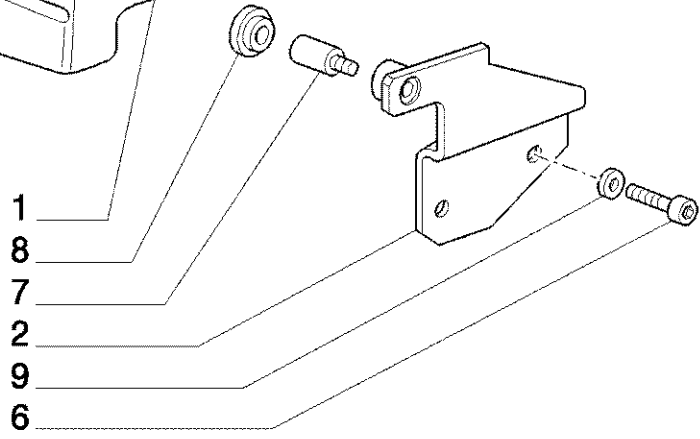
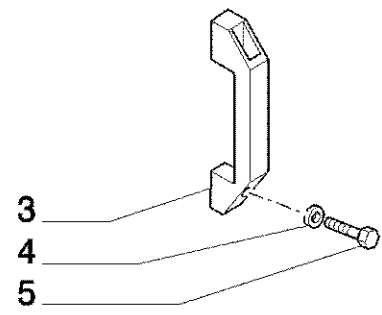
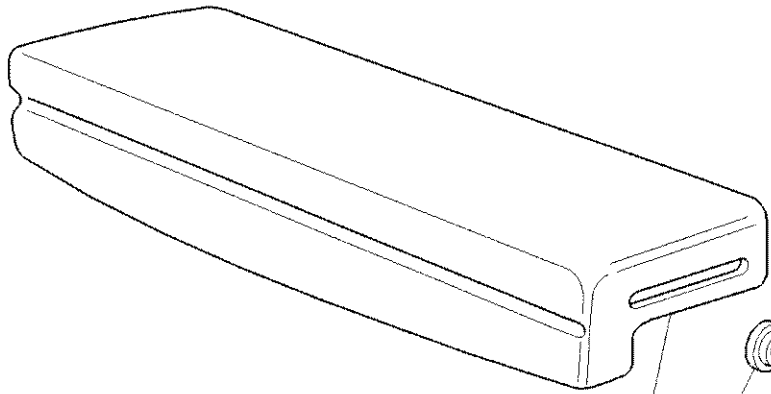
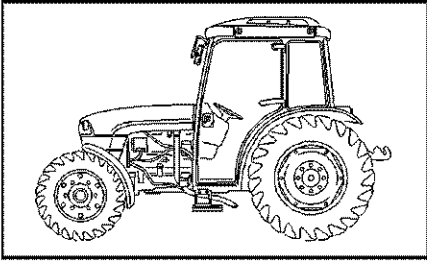
1.92.85 ZETEL

Ref	Onderdeelnummer	Kwt	Beschrijving
1	47129036	1	BESTUURDERSZETEL, ASSY
2	5182251	4	VEERRING, D=8
3	5183645	4	SCHROEF, M8x22
4	5180356	1	PLAAT,
5	14442021	4	SCHROEF, Hex Soc Flat Hd, M8 x 20, 8.8,

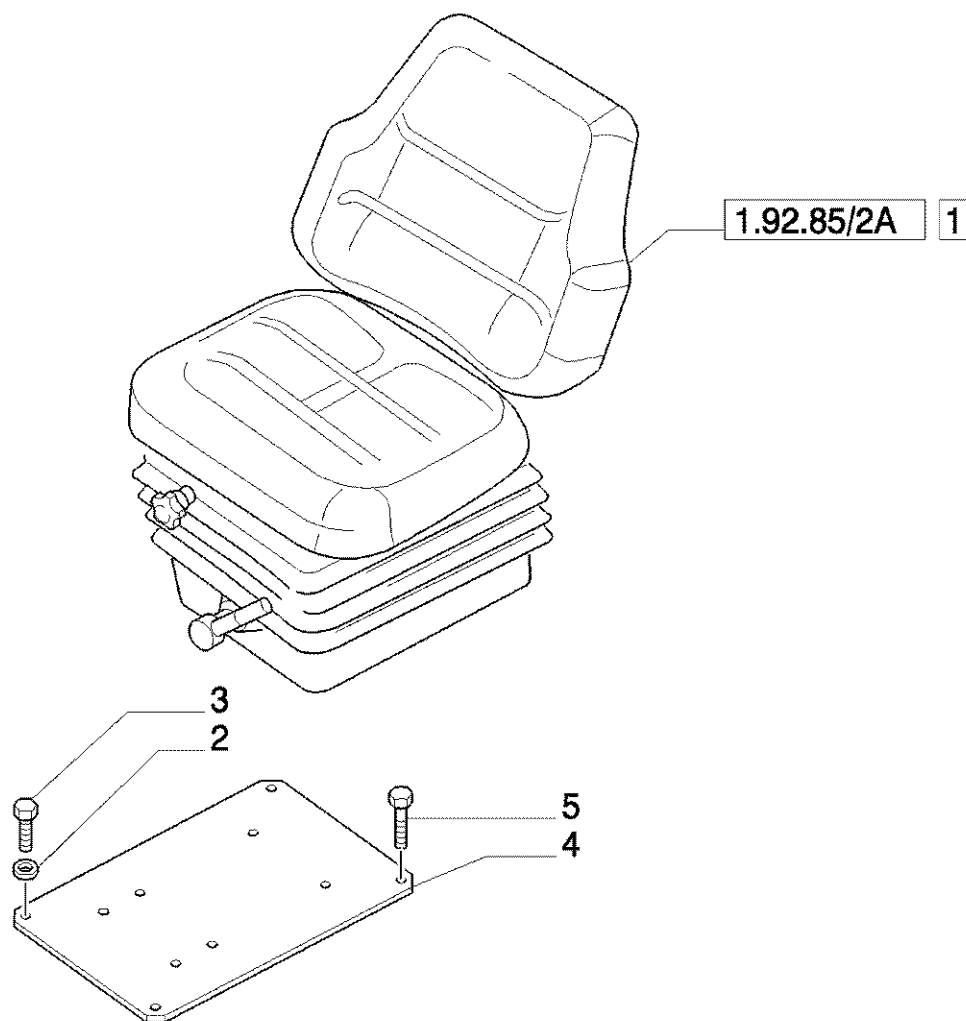
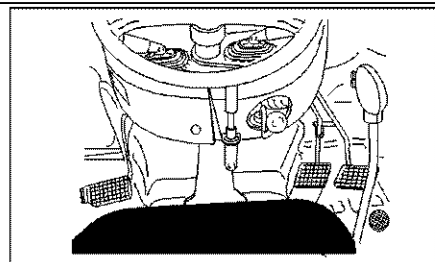


1.92.85/ A ZIT "MT" - COMPONENTEN

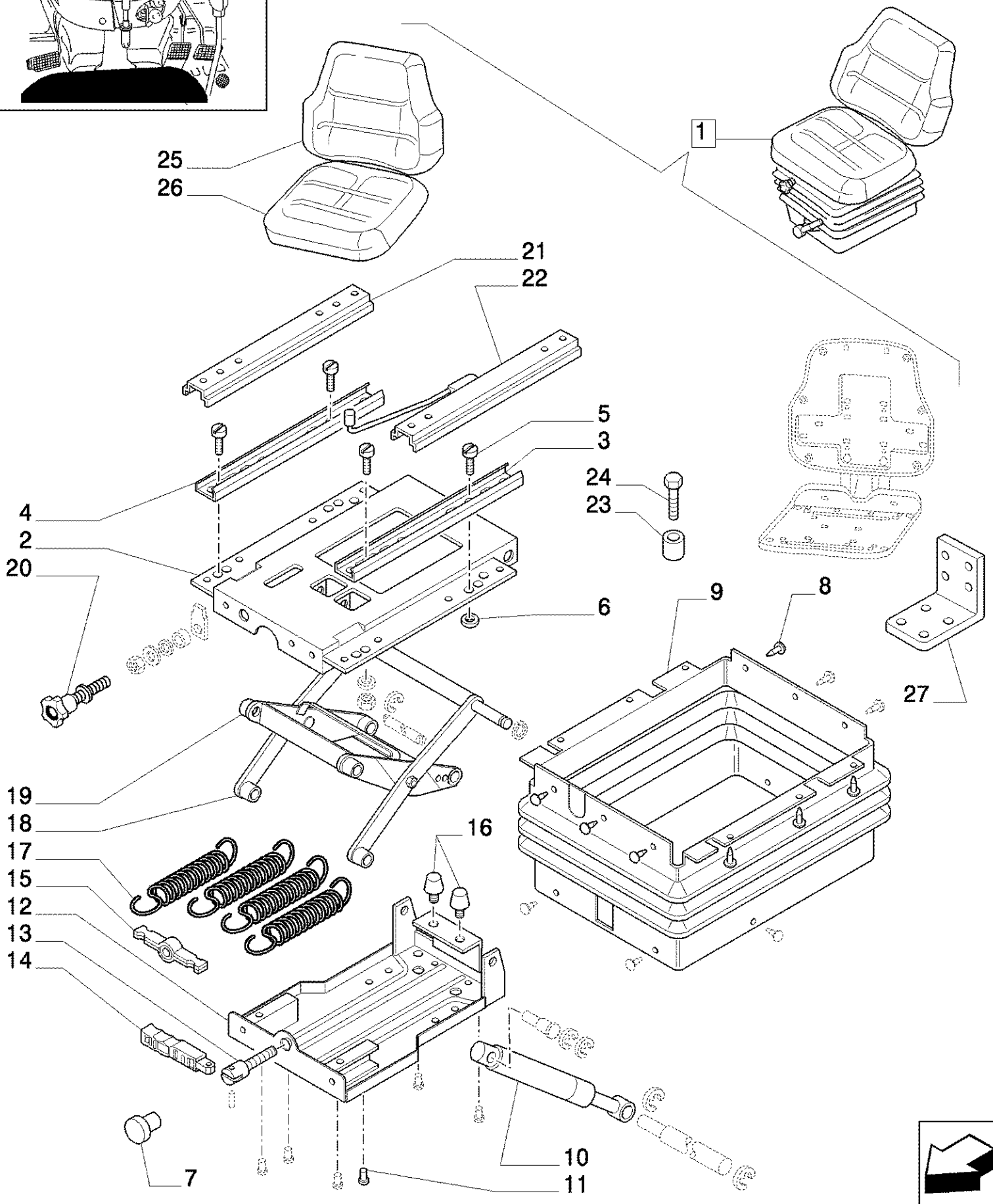
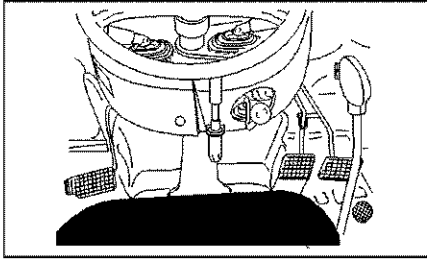
Ref	Onderdeelnummer	Kwt	Beschrijving
1	47129036	1	BESTUURDERSZETEL, ASSY
2	5197854	1	RAAM,
3	5197859	1	GELEIDER, LH
4	5197860	1	GELEIDER, RH
5	5197858	4	SCHROEF,
6	5197857	4	VEERRING,
7	5197880	1	DRUKKNOP,
8	5197843	18	SCHROEF,
9	5197840	1	RAAM,
10	5197845	1	SCHOKDEMPER,
11	5197846	6	KLINKNAGEL,
12	5197844	1	PLAAT,
13	5197847	1	PEN,
14	5197848	1	HENDEL,
15	5197849	1	STEUNBEUGEL,
16	5197851	2	RUBBEREN LAGERKUSSEN,
17	5197850	4	VEER,
18	5197852	1	KADER,
19	5197853	4	LAGERBUS,
20	5197855	1	KNOP,
21	47127060	1	GELEIDER,
22	47127061	1	GELEIDER,
23	47127026	4	AFSTANDSRING,
24	47127027	4	SCHROEF,
25	47131869	1	ZETELONDERDELEN,
26	47131872	1	KUSSEN,
27	47127057	1	PLAAT,



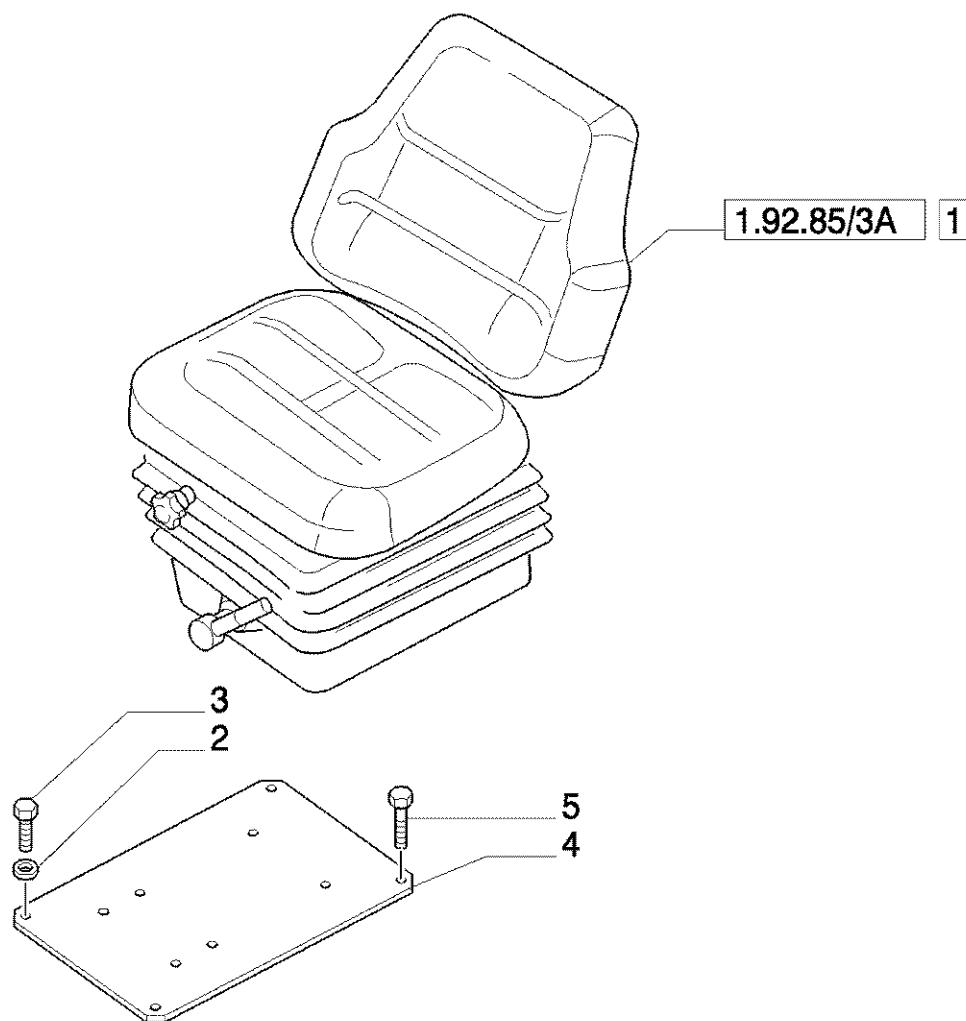
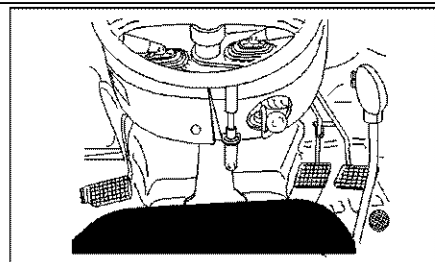
Ref	Onderdeelnummer	Kwt	Beschrijving
1	47127066	1	VEILIGHEIDSGORDEL,



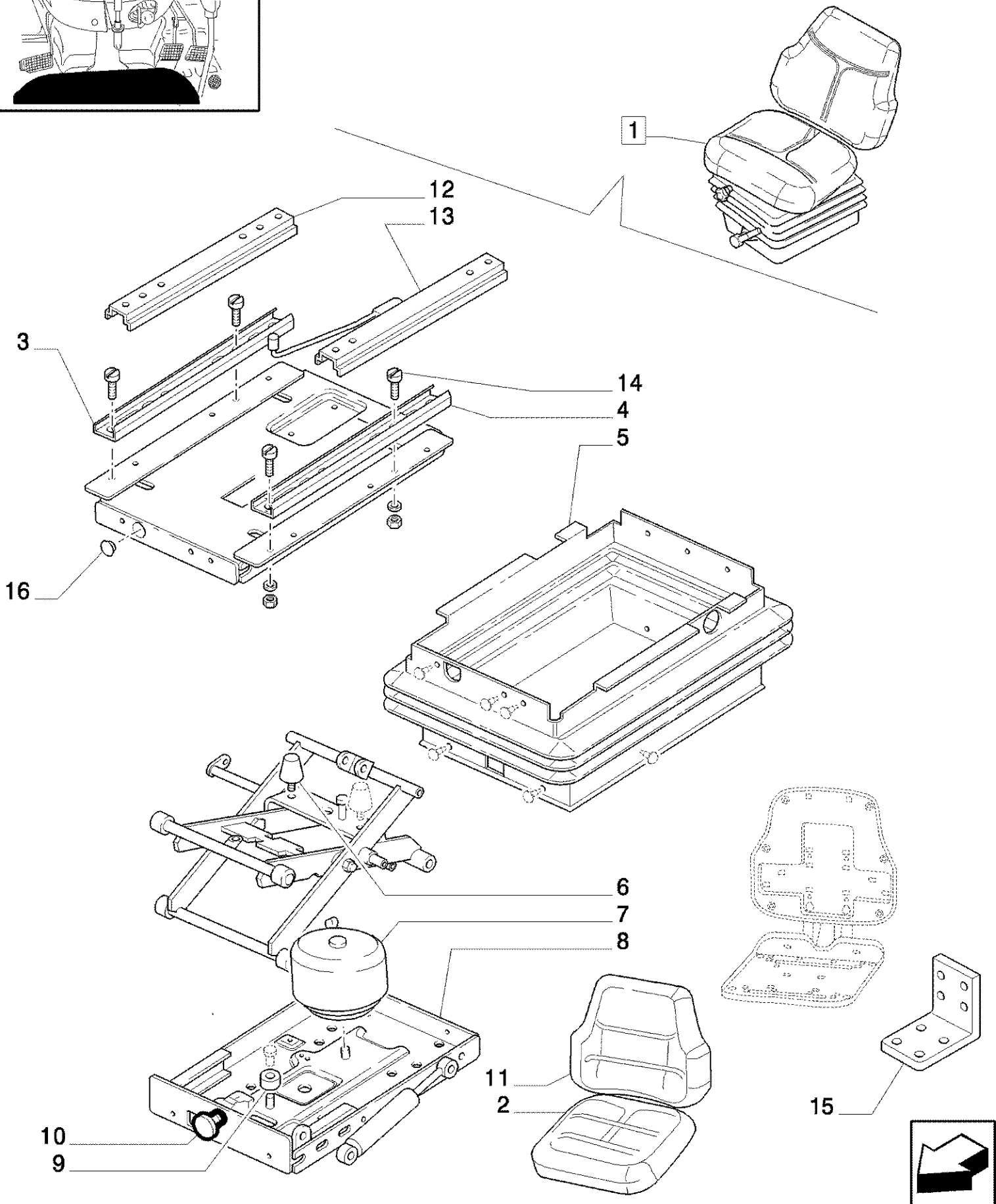
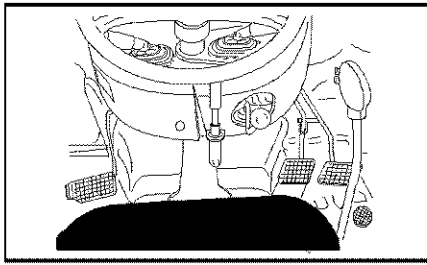
Ref	Onderdeelnummer	Kwt	Beschrijving
1	47129037	1	BESTUURDERSZETEL, W/MICRO, ASSY
1	47129039	1	BESTUURDERSZETEL, W/MICRO & BELTS, ASSY
2	5182251	4	VEERRING, D=8
3	5183645	4	SCHROEF, M8x22
4	5180356	1	PLAAT,
5	14442021	4	SCHROEF, Hex Soc Flat Hd, M8 x 20, 8.8,



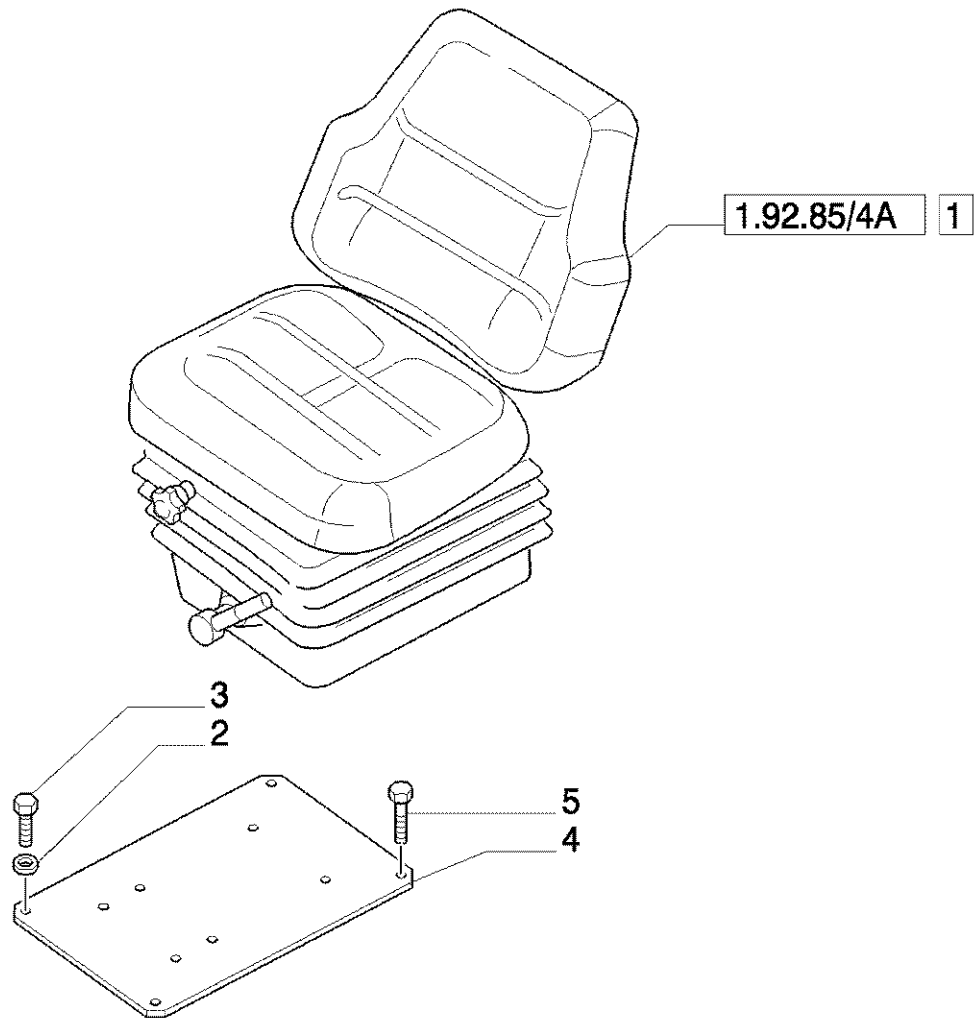
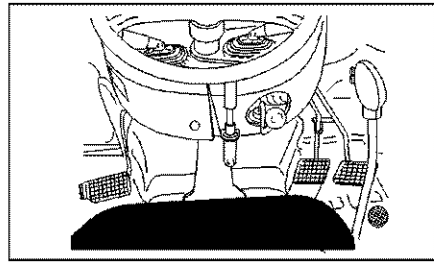
Ref	Onderdeelnummer	Kwt	Beschrijving
1	47129037	1	BESTUURDERSZETEL, W/MICRO, ASSY
1	47129039	1	BESTUURDERSZETEL, W/MICRO & BELTS, ASSY
2	5197854	1	RAAM,
3	5197859	1	GELEIDER, LH
4	5197860	1	GELEIDER, RH
5	5197858	4	SCHROEF,
6	5197857	4	VEERRING,
7	5197880	1	DRUKKNOP,
8	5197843	18	SCHROEF,
9	5197840	1	RAAM,
10	5197845	1	SCHOKDEMPER,
11	5197846	6	KLINKNAGEL,
12	5197844	1	PLAAT,
13	5197847	1	PEN,
14	5197848	1	HENDEL,
15	5197849	1	STEUNBEUGEL,
16	5197851	2	RUBBEREN LAGERKUSSEN,
17	5197850	4	VEER,
18	5197852	1	KADER,
19	5197853	4	LAGERBUS,
20	5197855	1	KNOP,
21	47127060	1	GELEIDER,
22	47127061	1	GELEIDER,
23	47127026	4	AFSTANDSRING,
24	47127027	4	SCHROEF,
25	47131869	1	ZETELONDERDELEN,
26	47131873	1	KUSSEN, W/Switch
27	47127057	1	PLAAT,



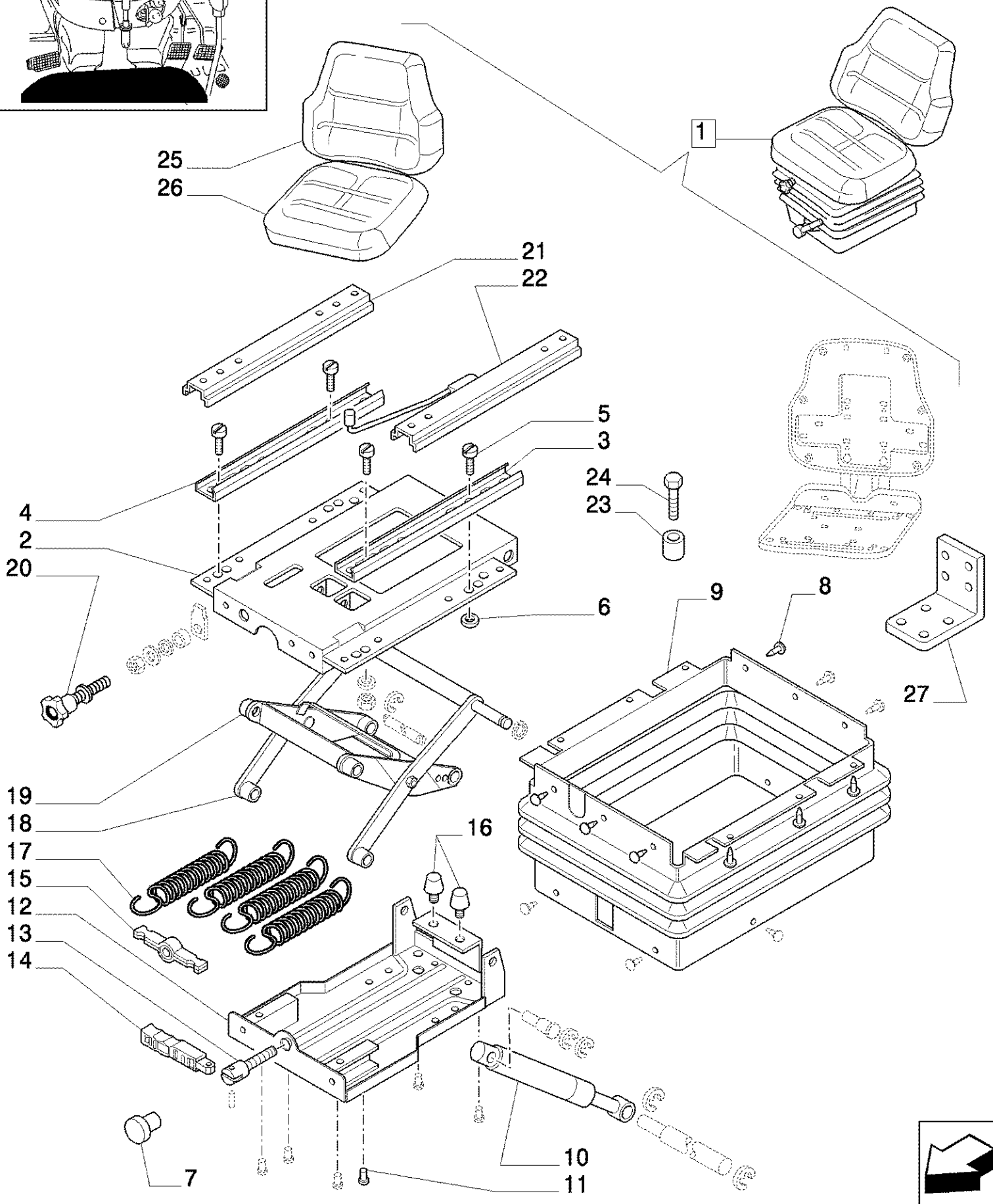
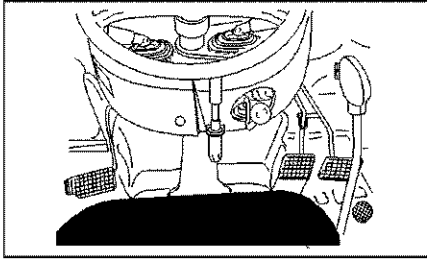
Ref	Onderdeelnummer	Kwt	Beschrijving
1	47129040	1	BESTUURDERSZETEL, W/MICRO & BELTS, ASSY
2	5182251	4	VEERRING, D=8
3	5183645	4	SCHROEF, M8x22
4	5180356	1	PLAAT,
5	14442021	4	SCHROEF, Hex Soc Flat Hd, M8 x 20, 8.8,



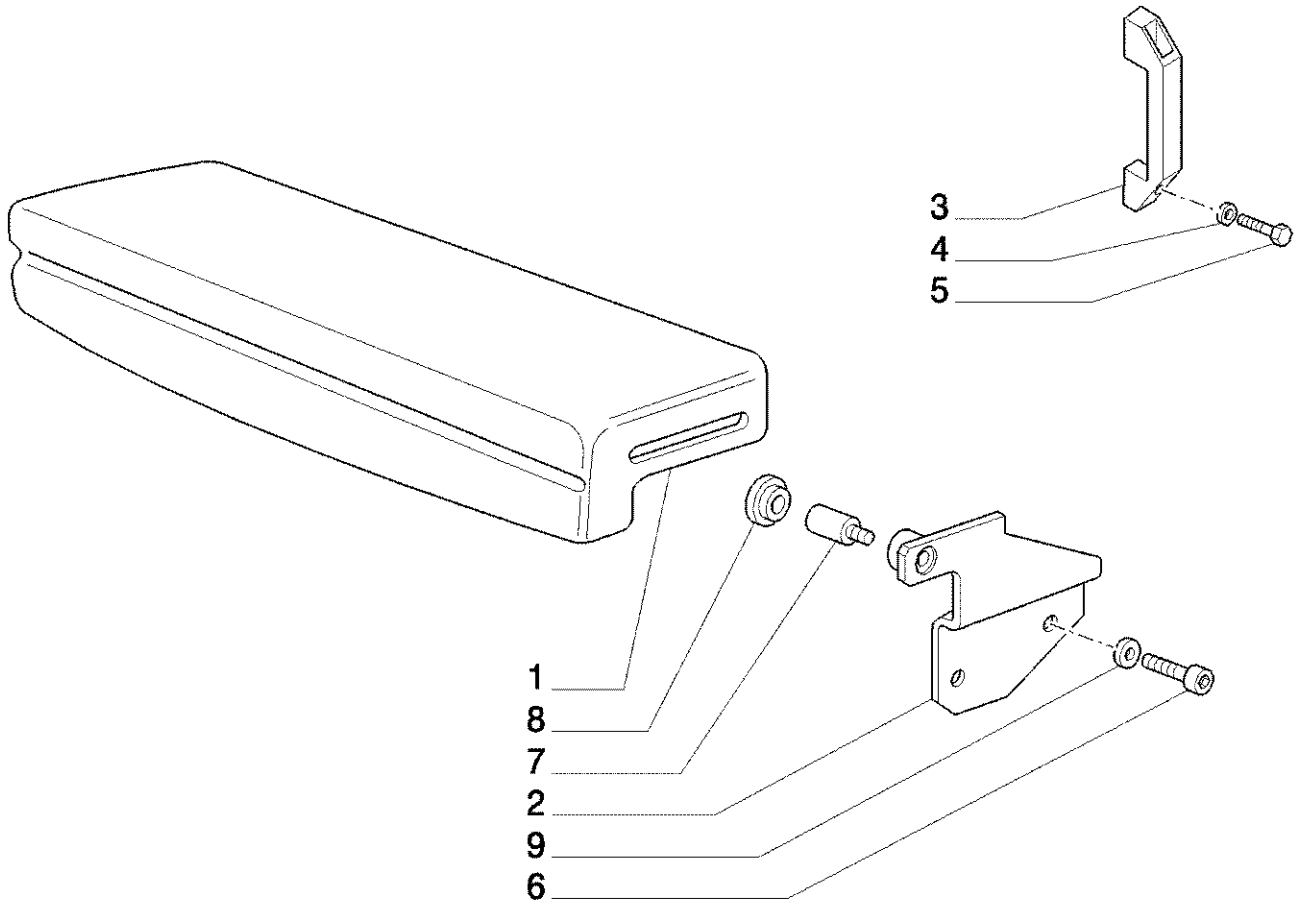
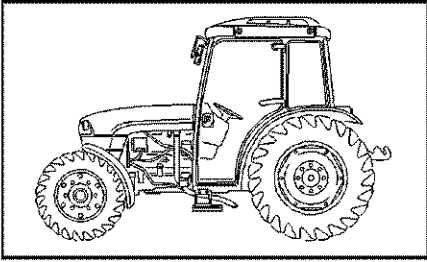
Ref	Onderdeelnummer	Kwt	Beschrijving
1	47129040	1	BESTUURDERSZETEL, W/MICRO & BELTS, ASSY
2	47131873	1	KUSSEN, W/Switch
3	5197885	1	GELEIDER, RH
4	5197884	1	GELEIDER, LH
5	5197883	1	BLAASBALG,
6	5197882	2	RUBBEREN LAGERKUSSEN,
7	5197881	1	VEER,
8	5197878	1	SCHOKDEMPER,
9	5197877	1	SNELHEIDSREGELAAR,
10	5197880	1	DRUKKNOP,
11	47131869	1	ZETELONDERDELEN,
12	47127060	1	GELEIDER,
13	47127061	1	GELEIDER,
14	5197858	4	SCHROEF,
15	47127057	1	PLAAT,
16	47136906	1	PLUG,



Ref	Onderdeelnummer	Kwt	Beschrijving
1	47129038	1	BESTUURDERSZETEL, W/BELTS, ASSY
2	5182251	4	VEERRING, D=8
3	5183645	4	SCHROEF, M8x22
4	5180356	1	PLAAT,
5	14442021	4	SCHROEF, Hex Soc Flat Hd, M8 x 20, 8.8,

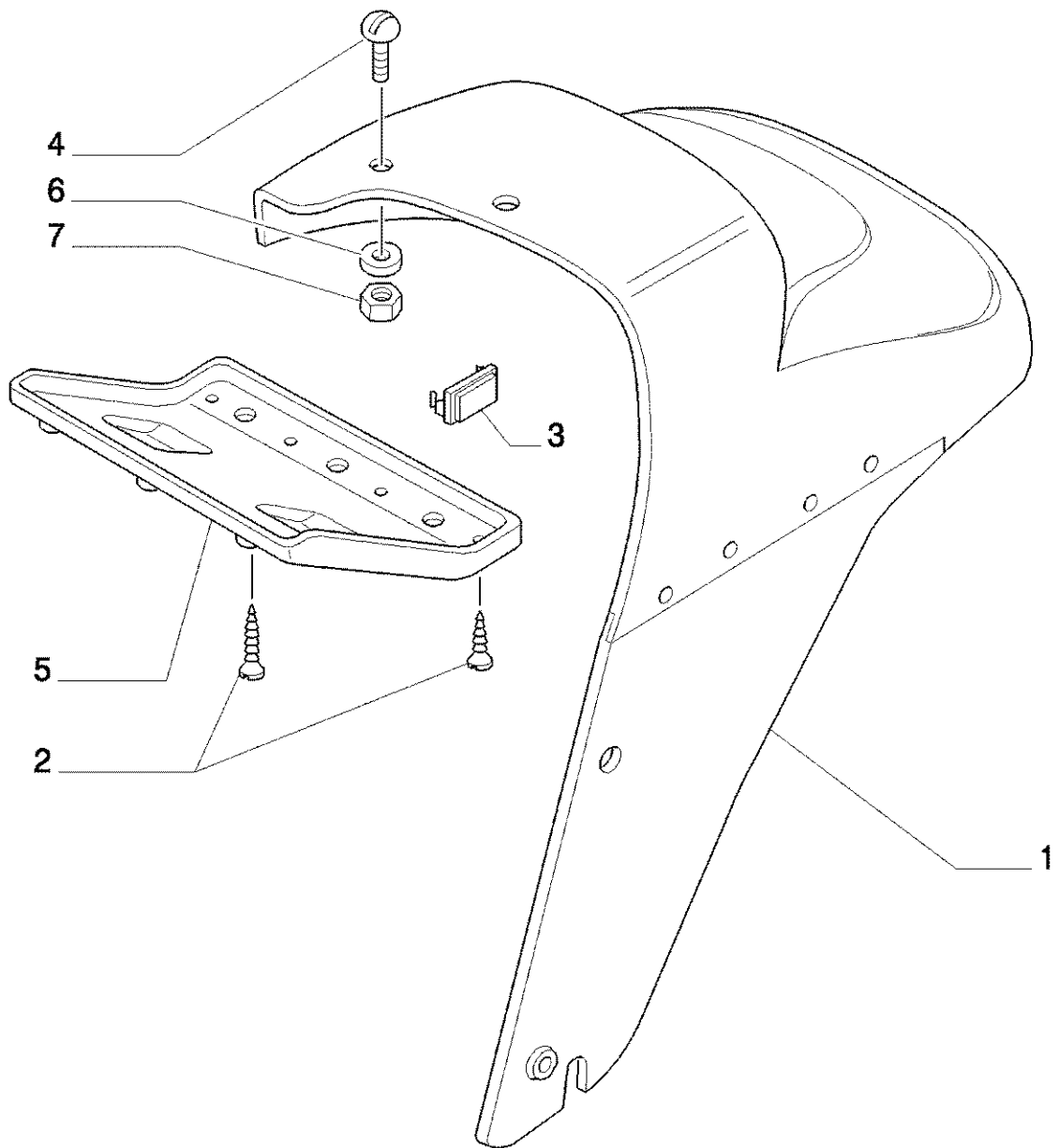
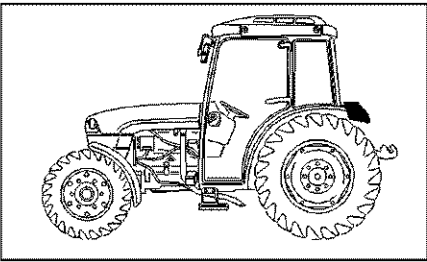


Ref	Onderdeelnummer	Kwt	Beschrijving
1	47129038	1	BESTUURDERSZETEL, W/BELTS, ASSY
2	5197854	1	RAAM,
3	5197859	1	GELEIDER, LH
4	5197860	1	GELEIDER, RH
5	5197858	4	SCHROEF,
6	5197857	4	VEERRING,
7	5197880	1	DRUKKNOP,
8	5197843	18	SCHROEF,
9	5197840	1	RAAM,
10	5197845	1	SCHOKDEMPER,
11	5197846	6	KLINKNAGEL,
12	5197844	1	PLAAT,
13	5197847	1	PEN,
14	5197848	1	HENDEL,
15	5197849	1	STEUNBEUGEL,
16	5197851	2	RUBBEREN LAGERKUSSEN,
17	5197850	4	VEER,
18	5197852	1	KADER,
19	5197853	4	LAGERBUS,
20	5197855	1	KNOP,
21	47127060	1	GELEIDER,
22	47127061	1	GELEIDER,
23	47127026	4	AFSTANDSRING,
24	47127027	4	SCHROEF,
25	47131869	1	ZETELONDERDELEN,
26	47131872	1	KUSSEN,
27	47127057	1	PLAAT,



Ref	Onderdeelnummer	Kwt	Beschrijving
1	5199917	1	PASSAGIERSZETEL,
2	47127315	1	HOEKIJZER, LH
2	47126845	1	HOEKIJZER, RH
3	5115818	1	HENDEL,
4	10413670	2	DICHTRING, 8x12
6	14306134	4	SCHROEF, Hex Soc Hd, M8 x 12, 10.9,
7	47131267	2	SCHROEF,
8	47127848	2	LAGERBUS,
9	11194074	4	WASHER, SPRING, Belleville, M8.4,
10	47126459	1	VOETSTEUN, RH
11	11197774	2	WASHER, SPRING, Belleville, M6.4,
12	10902324	2	BOUT, Hex, M6 x 18, 8.8, Full Thd,
13	15811187	2	BESCHERMDEKSEL, 10x12
14	47126458	1	VOETSTEUN, LH
15	11193874	2	WASHER, SPRING, Belleville, M8.4, 8x16x1.4
16	5182444	2	SCHROEF, M8x25
17	15811487	2	RESERVOIRDOP,
5	14306524	2	SCHROEF, Hex Soc Hd, M8 x 30, 8.8,

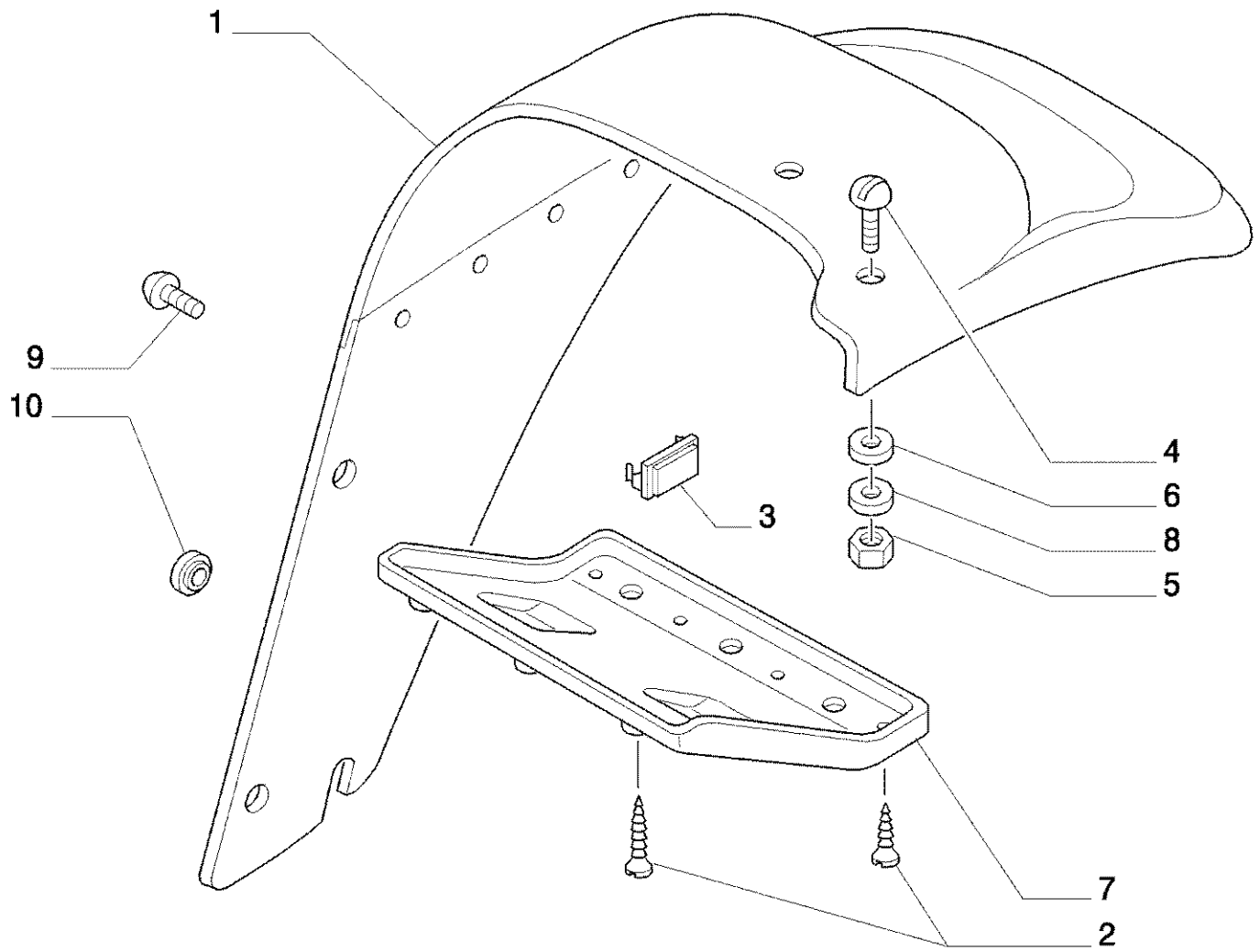
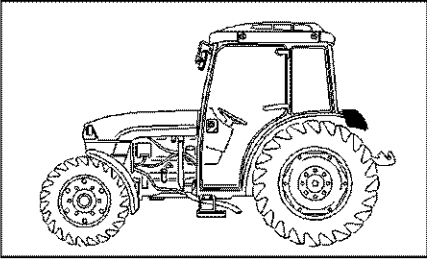
1.92.87(01) SPATBORDEN EN VOETPLANKEN



1.92.87(01) SPATBORDEN EN VOETPLANKEN

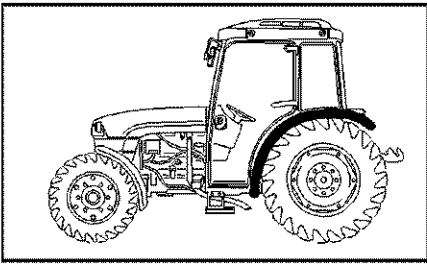
Ref	Onderdeelnummer	Kwt	Beschrijving
1	47128811	1	SPATBORD, ACHTERAAN, RH
2	15901404	7	ZELFTAPPENDE SCHROEF, Cross Pan Hd, M2.9 x 9.5,
3	5166218	1	SPOEL,
4	86585703	4	SCHROEF, Cross Pan Hd, M8 x 20,
5	5174816	1	AFSCHERMING,
6	14496504	4	SLUITRING, M8 x 17 x 1.6,
7	16100811	2	MOER, M8, CI 8,

1.92.87(02) SPATBORDEN EN VOETPLANKEN

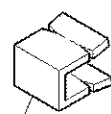
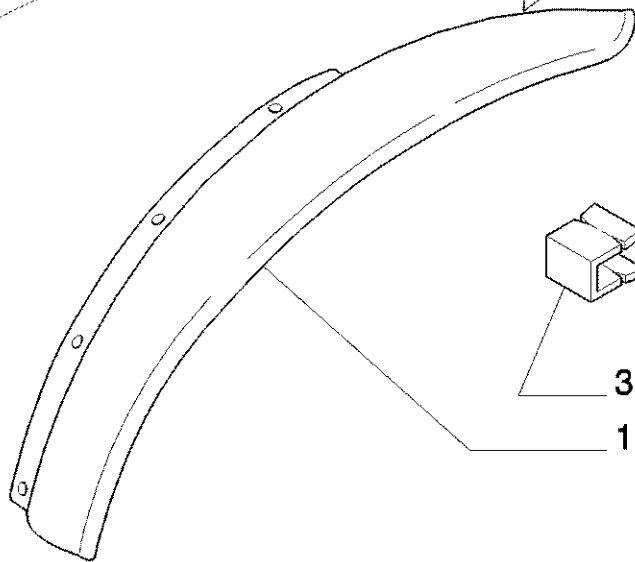
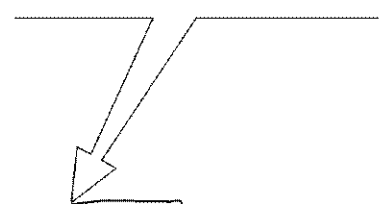
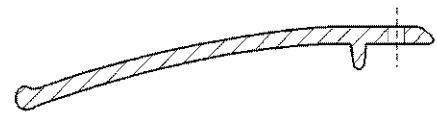
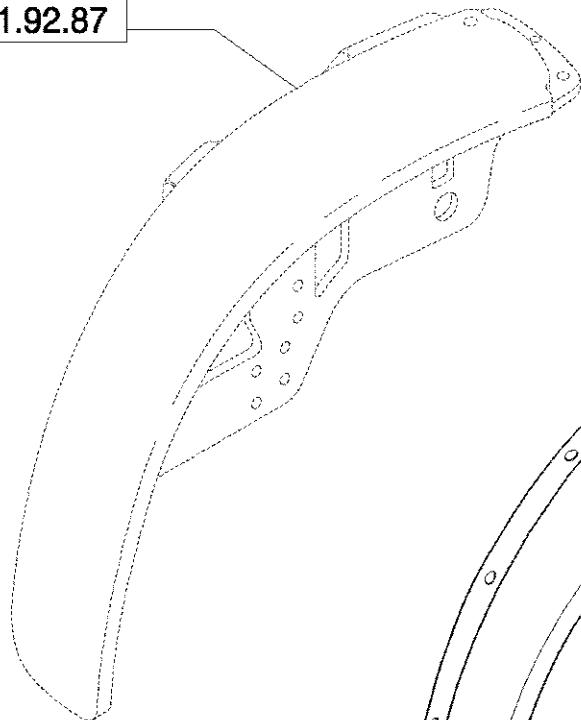


1.92.87(02) SPATBORDEN EN VOETPLANKEN

Ref	Onderdeelnummer	Kwt	Beschrijving
1	47128810	1	SPATBORD, ACHTERAAN, LH
2	15901404	7	ZELFTAPPENDE SCHROEF, Cross Pan Hd, M2.9 x 9.5,
3	5166218	1	SPOEL,
4	86585703	4	SCHROEF, Cross Pan Hd, M8 x 20,
5	16100811	2	MOER, M8, CI 8,
6	14496504	4	SLUITRING, M8 x 17 x 1.6,
7	5174816	1	AFSCHERMING,
8	11193874	4	WASHER, SPRING, Belleville, M8.4, 8x16x1.4
9	15901604	3	ZELFTAPPENDE SCHROEF, Cross Pan Hd, M2.9 x 16,



1.92.87



3

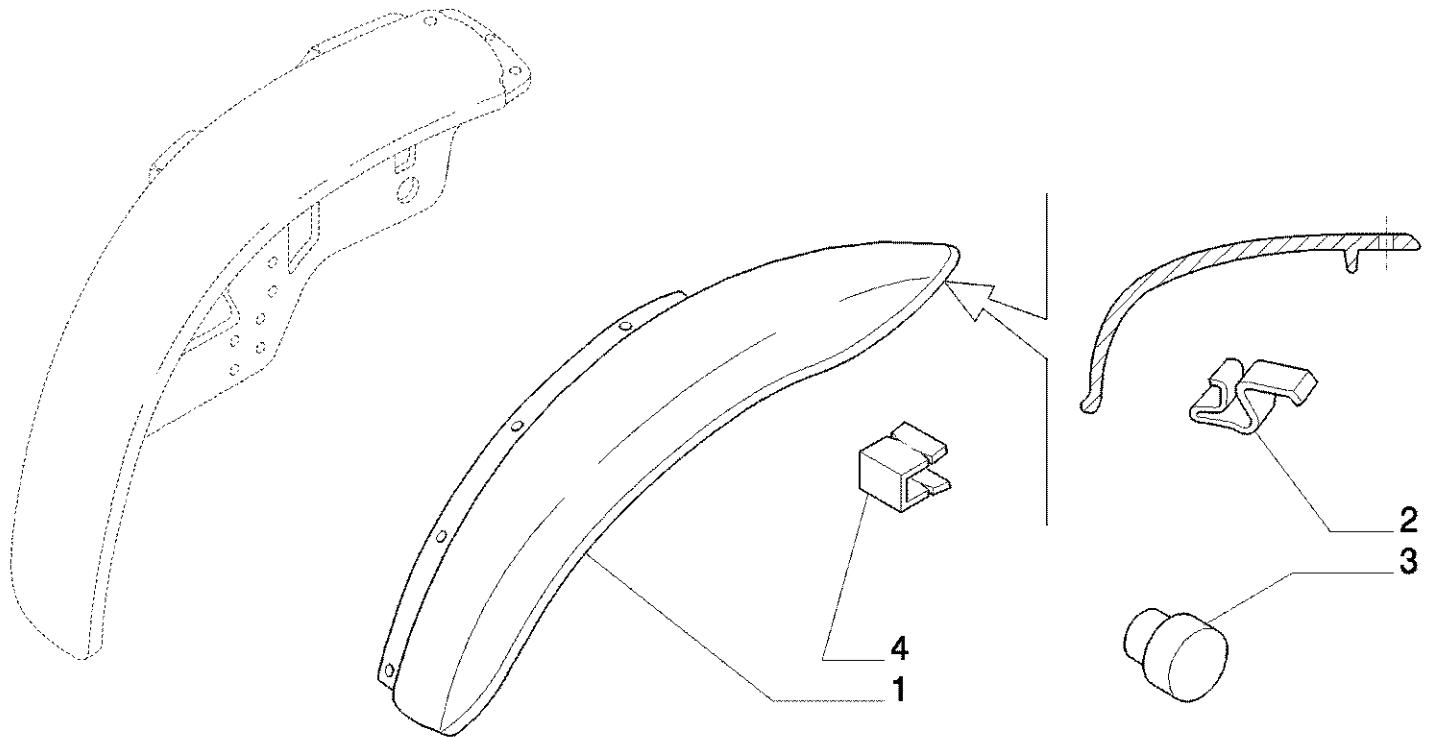
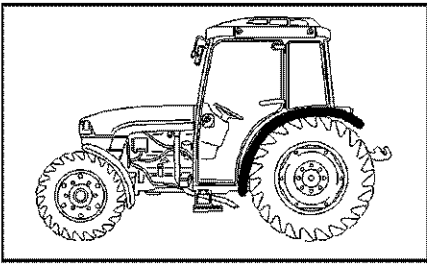
1



2

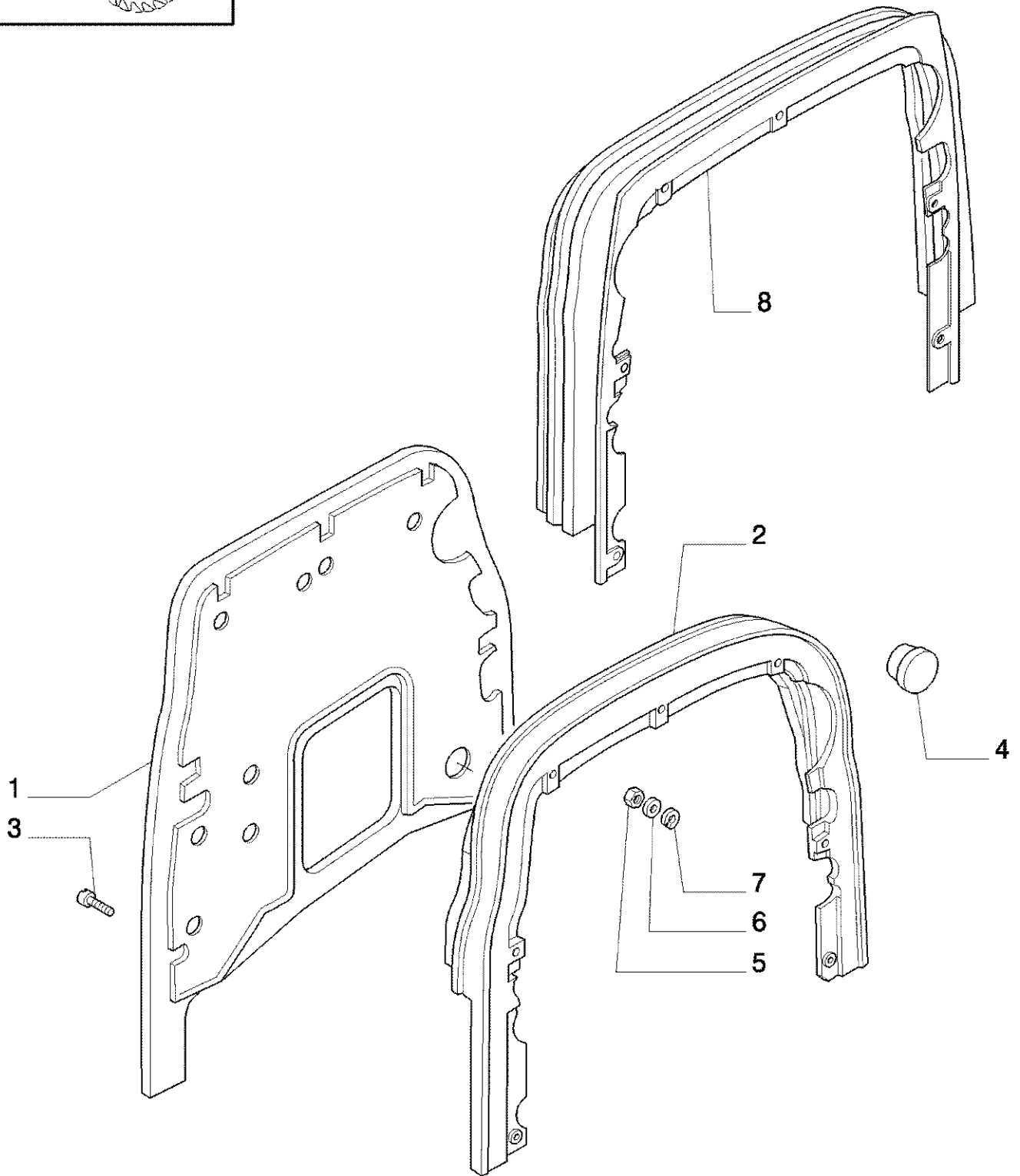
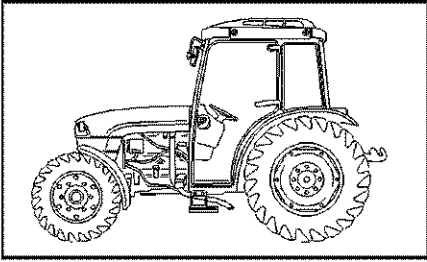


Ref	Onderdeelnummer	Kwt	Beschrijving
1	47131407	1	SPATBORD, ACHTERAAN, LH
1	47131410	1	SPATBORD, ACHTERAAN, RH
2	5188654	16	VEER,
3	5173740	4	STOPBEUGEL,



Ref	Onderdeelnummer	Kwt	Beschrijving
1	5199951	1	SPATBORD, ACHTERAAN, LH
1	5199953	1	SPATBORD, ACHTERAAN, RH
2	5188654	16	VEER,
3	5196784	6	PLUG, D=12.5
3	5196786	10	PLUG, D=14.5
3	5196783	2	PLUG, D=11
4	5173740	4	STOPBEUGEL,

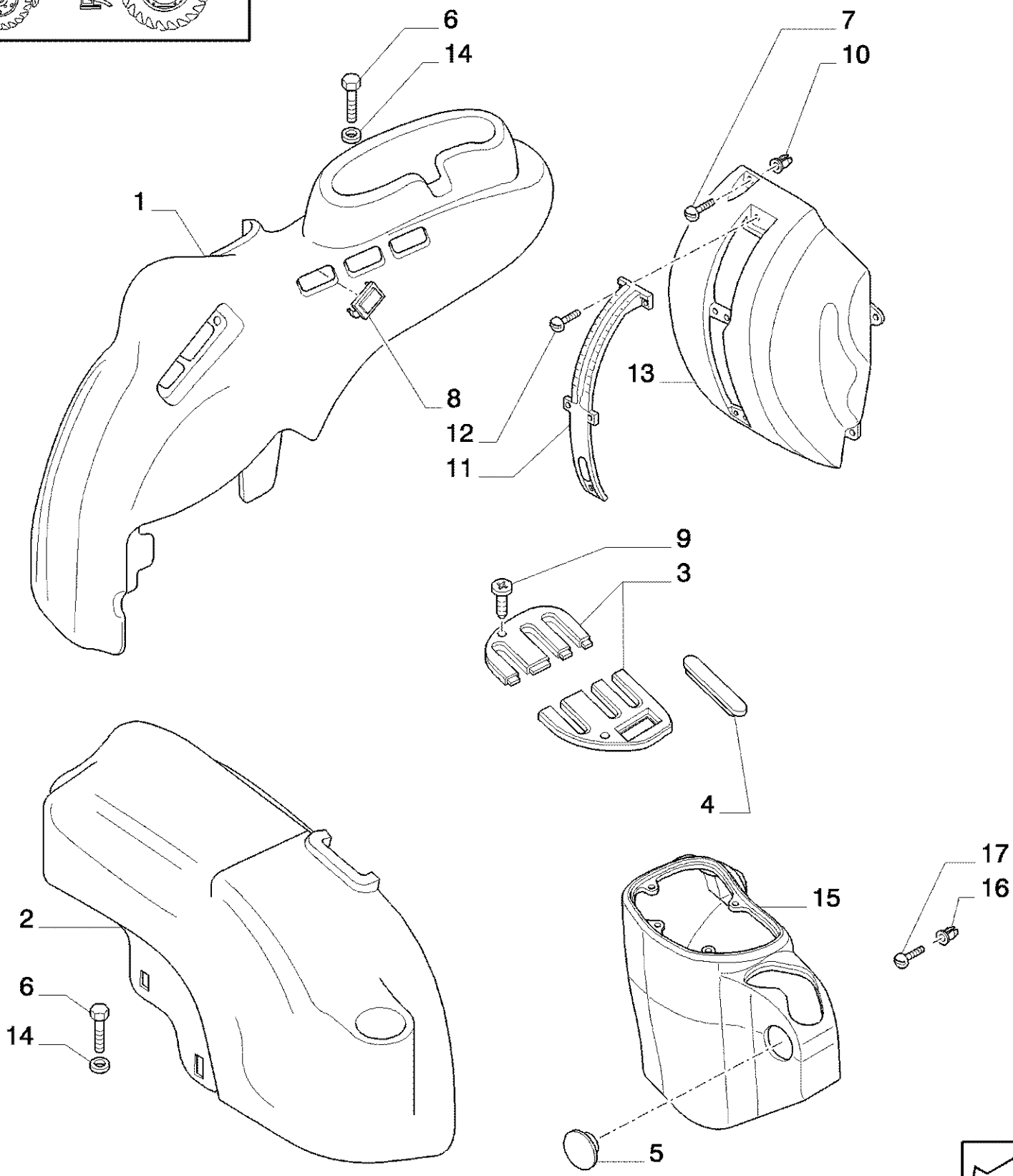
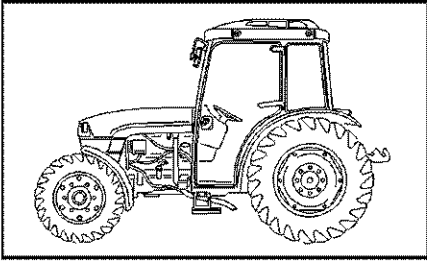
1.92.88(01) BEKLEDINGS



1.92.88(01) BEKLEDINGS

Ref	Onderdeelnummer	Kwt	Beschrijving
1	47128623	1	ISOLATIE,ALGEMEEN,
2	47056859	1	DICHTINGSSTUK, , BSN HJR035583
3	14778914	2	SCHROEF, Cheese Hd, M6 x 22,
4	14507687	3	PLUG, D=20
5	13276114	5	SCHROEF, Cross Pan Hd, M6 x 14,
6	10516474	7	VEERRING,
7	12646604	7	SLUITRING, M6 x 15 x 1.5,
8	87304510	1	DICHTINGSSTUK, , ASN HJR035584

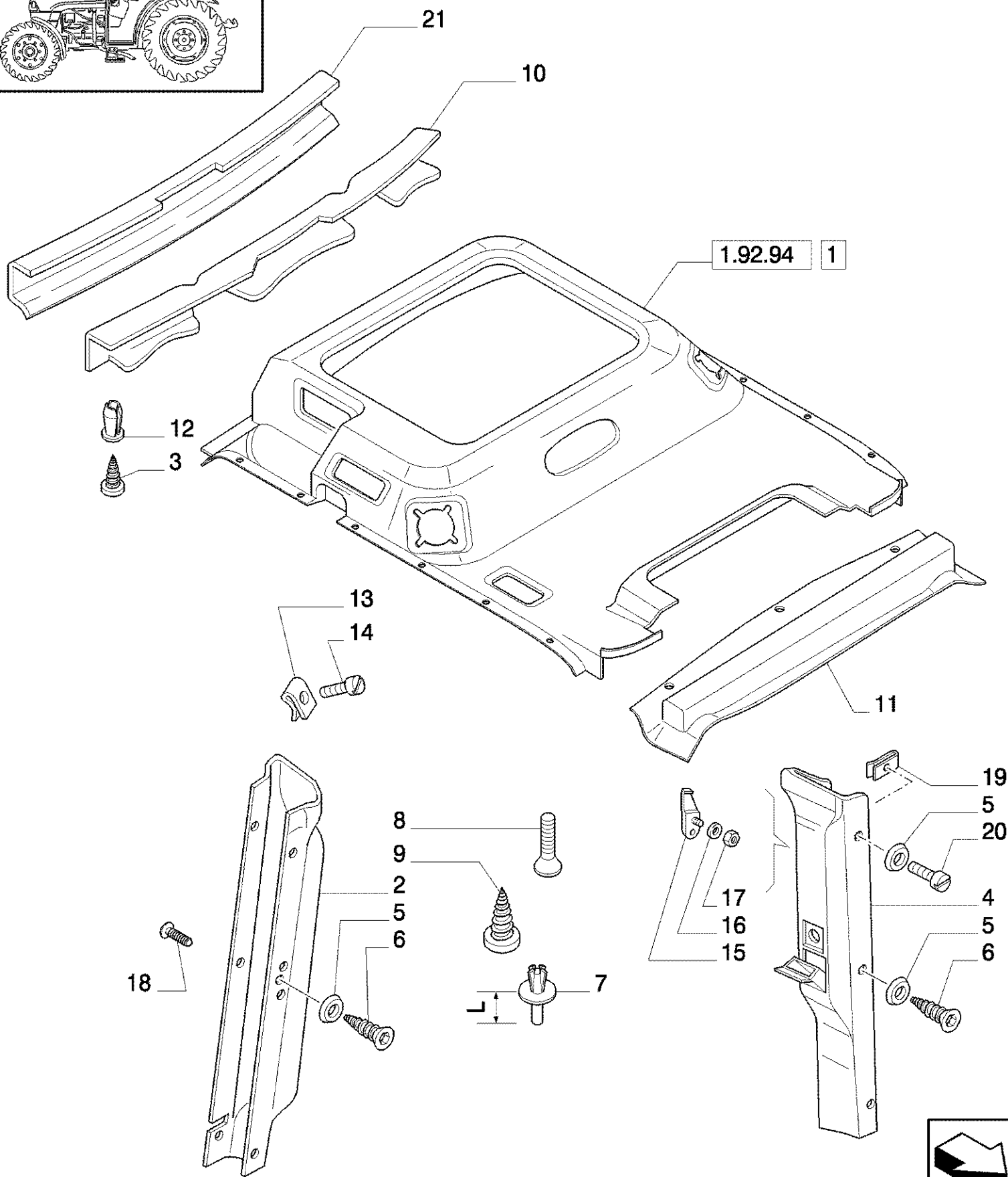
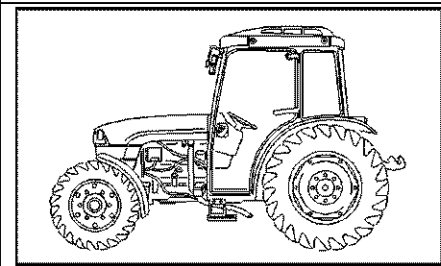
1.92.88(02) BEKLEDINGS



1.92.88(02) BEKLEDINGS

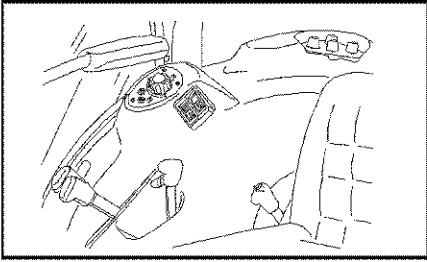
Ref	Onderdeelnummer	Kwt	Beschrijving
1	5199914	1	AFSCHERMING, RH
2	47127198	1	AFSCHERMING, LH
3	5186621	1	AFSCHERMING,
4	5182030	2	PLUG, L=122
4	5181959	1	PLUG, L=153
5	5194500	1	PLUG,
6	10902024	5	BOUW, Hex, M6 x 12, 8.8, Full Thd,
7	5182260	4	SCHROEF,
8	5166218	1	SPOEL,
9	13271814	4	SCHROEF, Cross Pan Hd, M4 x 8,
10	14115780	4	BLOK,
11	5180577	1	SIERPLAAT,
12	15958704	5	ZELFTAPPENDE SCHROEF, Pan Hd, M5 x 12,
13	5180576	1	AFSCHERMING,
14	11195574	10	WASHER, SPRING, Belleville, M6.4,
15	47123503	1	AFSCHERMING, GRAY GRAINED
16	14202883	3	BLOK, 8x32
17	15917307	3	ZELFTAPPENDE SCHROEF, Cross Flat Hd, M4.2 x 32,

1.92.88(03) BEKLEDINGS



1.92.88(03) BEKLEDINGS

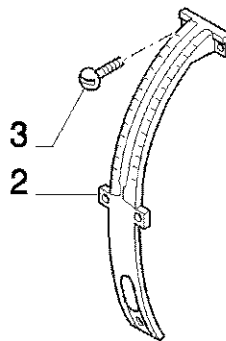
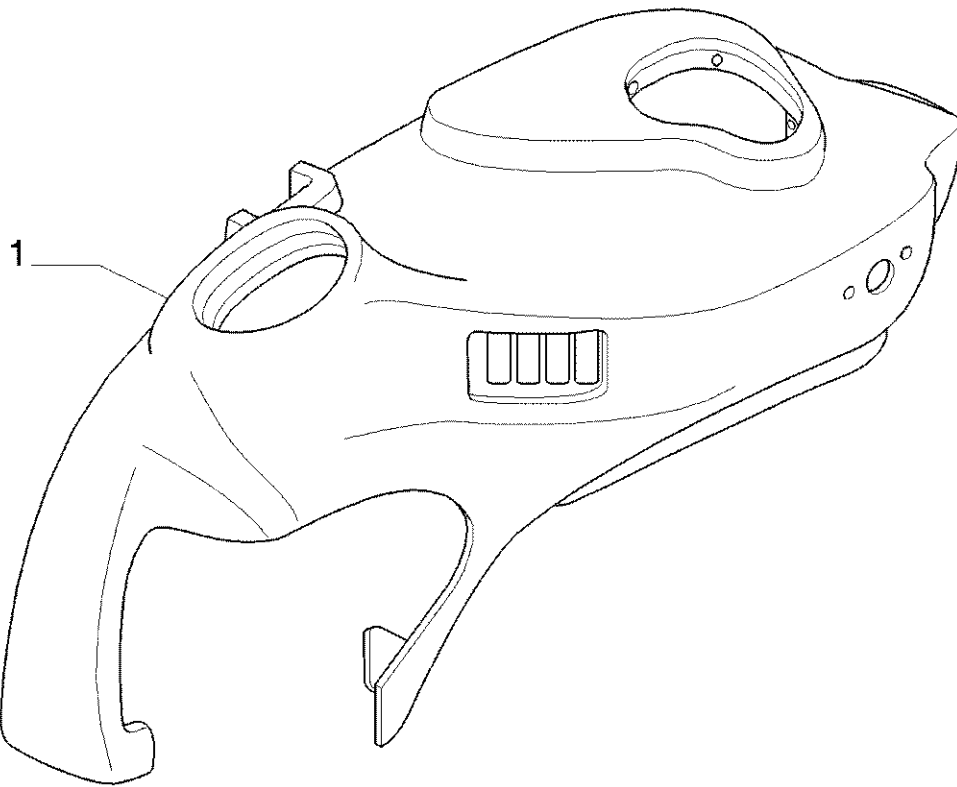
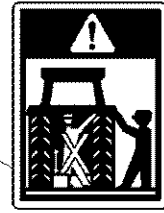
Ref	Onderdeelnummer	Kwt	Beschrijving
1	47132997	1	BEKLEDING,
2	5199945	1	BEKLEDING, RH
3	15958704	2	ZELFTAPPENDE SCHROEF, Pan Hd, M5 x 12,
4	47123852	1	BEKLEDING, LH
5	85801991	4	SLUITRING,
6	12673307	12	ZELFTAPPENDE SCHROEF, Csk Hd, M3.5 x 25,
7	5162852	27	KNOP, L=12
7	5162851	2	KNOP, L=19
8	13311214	2	SCHROEF, Cross Oval Hd, M5 x 20,
9	12670407	2	ZELFTAPPENDE SCHROEF, Csk Hd, M3.5 x 18,
10	47130802	1	DEKSEL, REAR, BSN HJR041507
11	5183508	1	BEKLEDING, FRONT, BSN HJE000549
11	87303091	1	AFSCHERMING, FRONT, ASN HJE000550
12	14115780	2	BLOK,
13	14189974	2	MOER, J, #6,
14	15693507	2	ZELFTAPPENDE SCHROEF, Cross Oval Hd, M4.8 x 22,
15	5178468	1	COAT HOOK,
16	11181474	1	WASHER, SPRING, Belleville, M4.3,
17	10794014	1	MOER, M4, CI 8,
18	83994150	3	PLUG,
19	87326498	2	VEER,
20	15688507	2	ZELFTAPPENDE SCHROEF, Cross Pan Hd, M4.8 x 22,
21	87303921	1	AFSCHERMING, REAR, ASN HJR041508



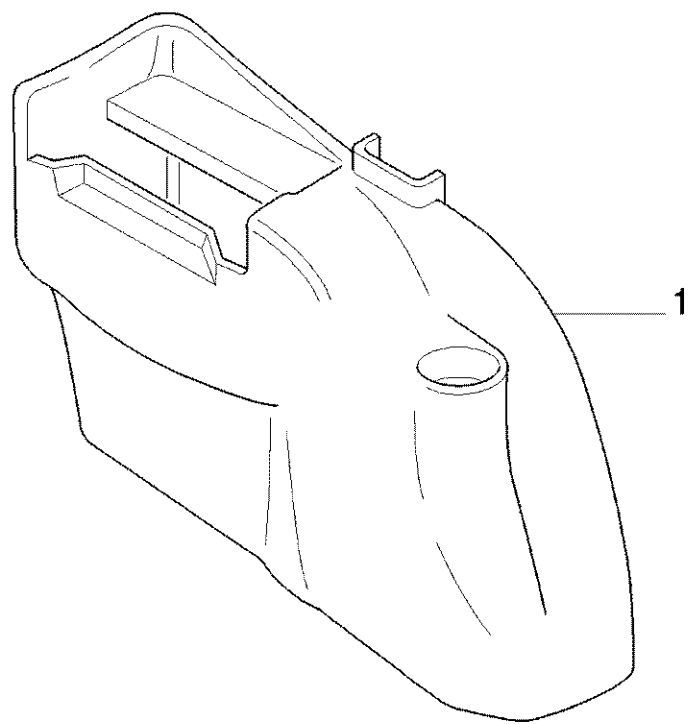
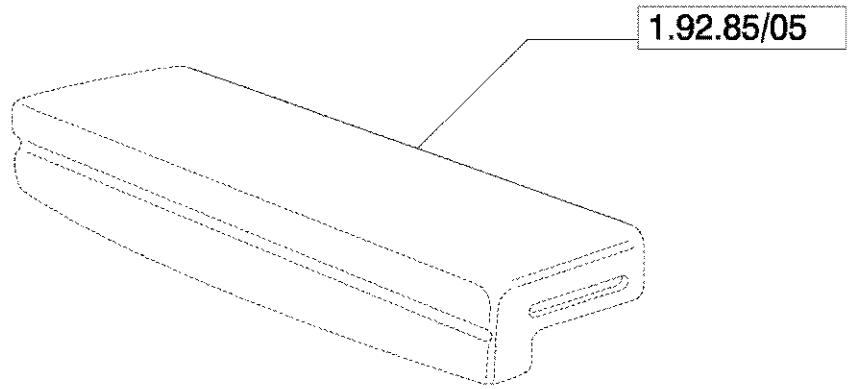
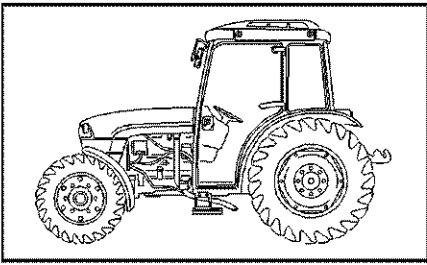
5



4

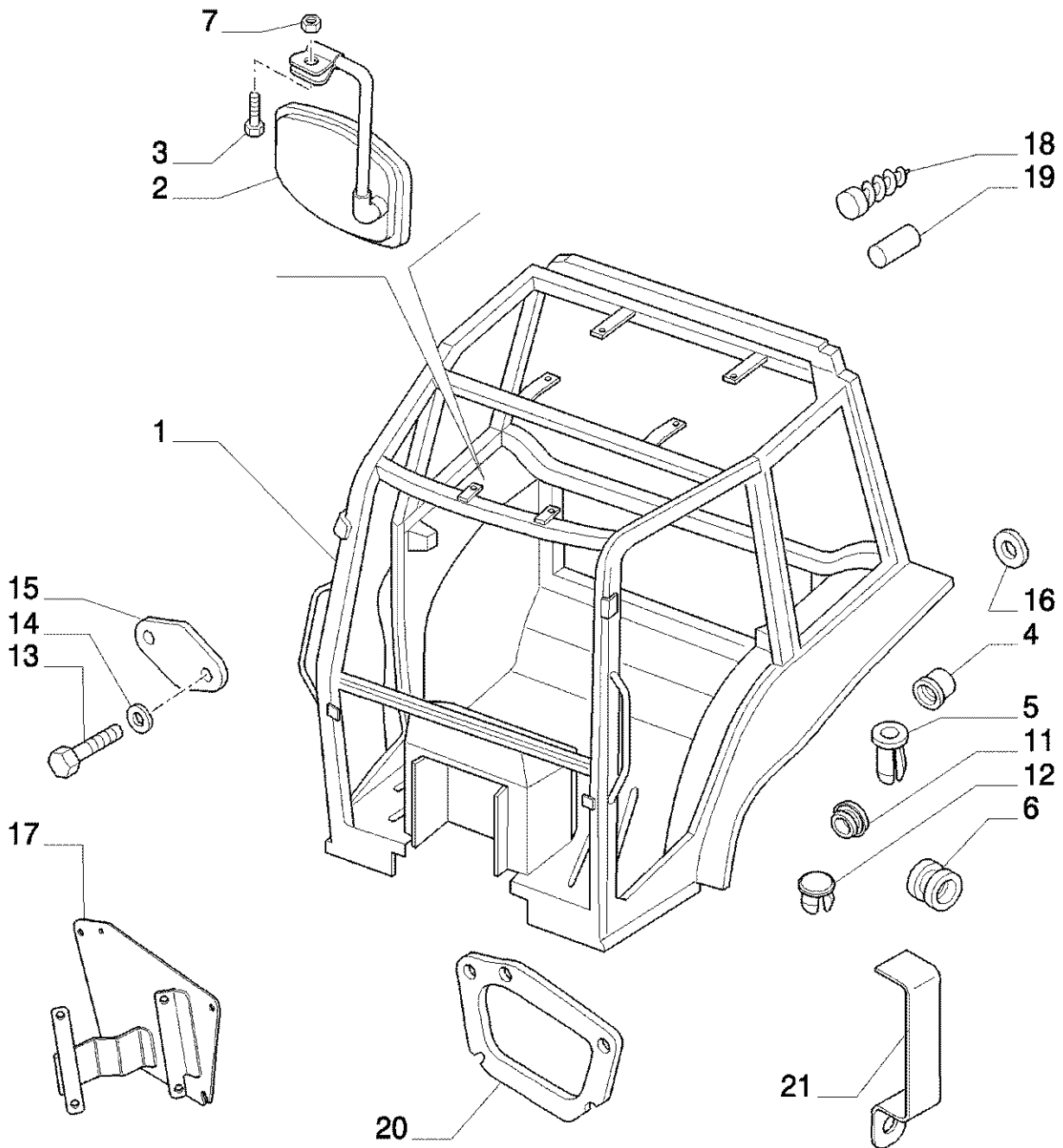
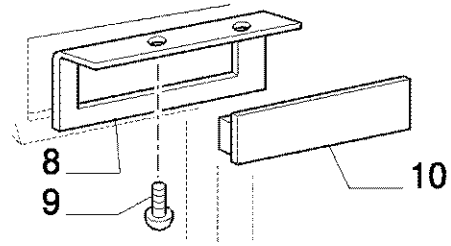
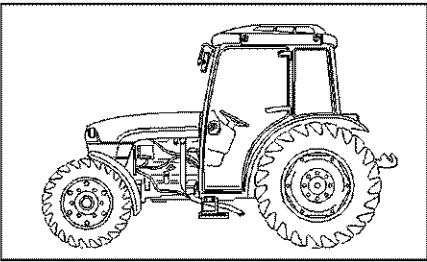


Ref	Onderdeelnummer	Kwt	Beschrijving
1	47127192	1	AFSCHERMING, RH
2	5180578	1	SIERPLAAT,
3	13271814	4	SCHROEF, Cross Pan Hd, M4 x 8,
4	83982553	2	DECAL, WARNING, Ext Switch F/HPL - W/EDC, W/ISO Equipments
5	87327082	2	DECAL, WARNING, External Controls, W/NA Equipments



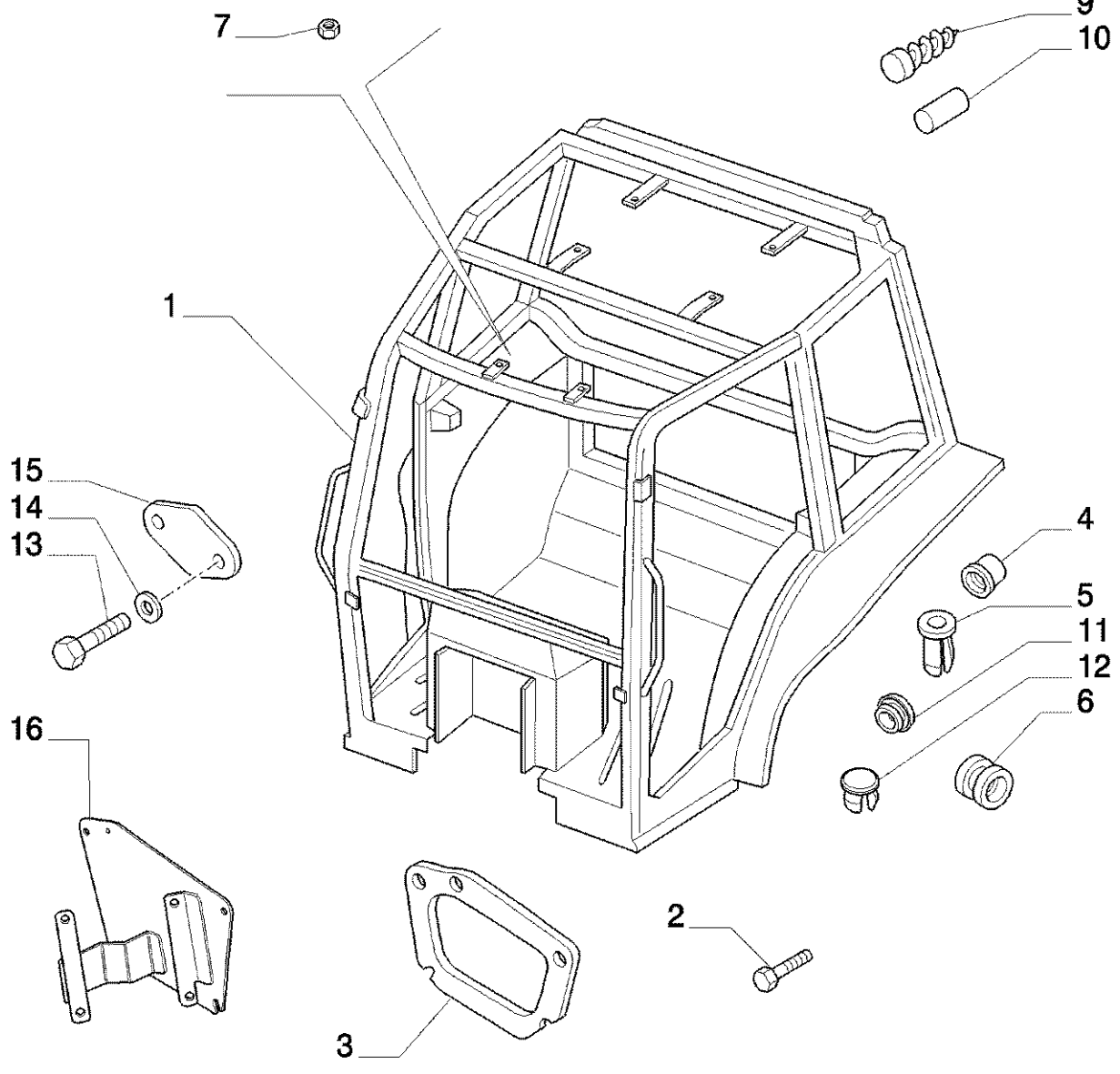
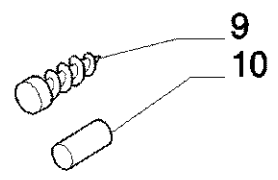
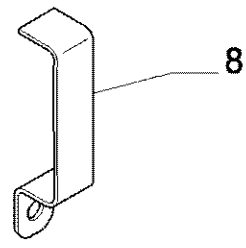
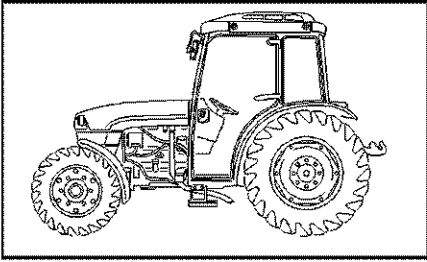
Ref	Onderdeelnummer	Kwt	Beschrijving
1	5199916	1	AFSCHERMING,

1.92.90 KABINEKADER



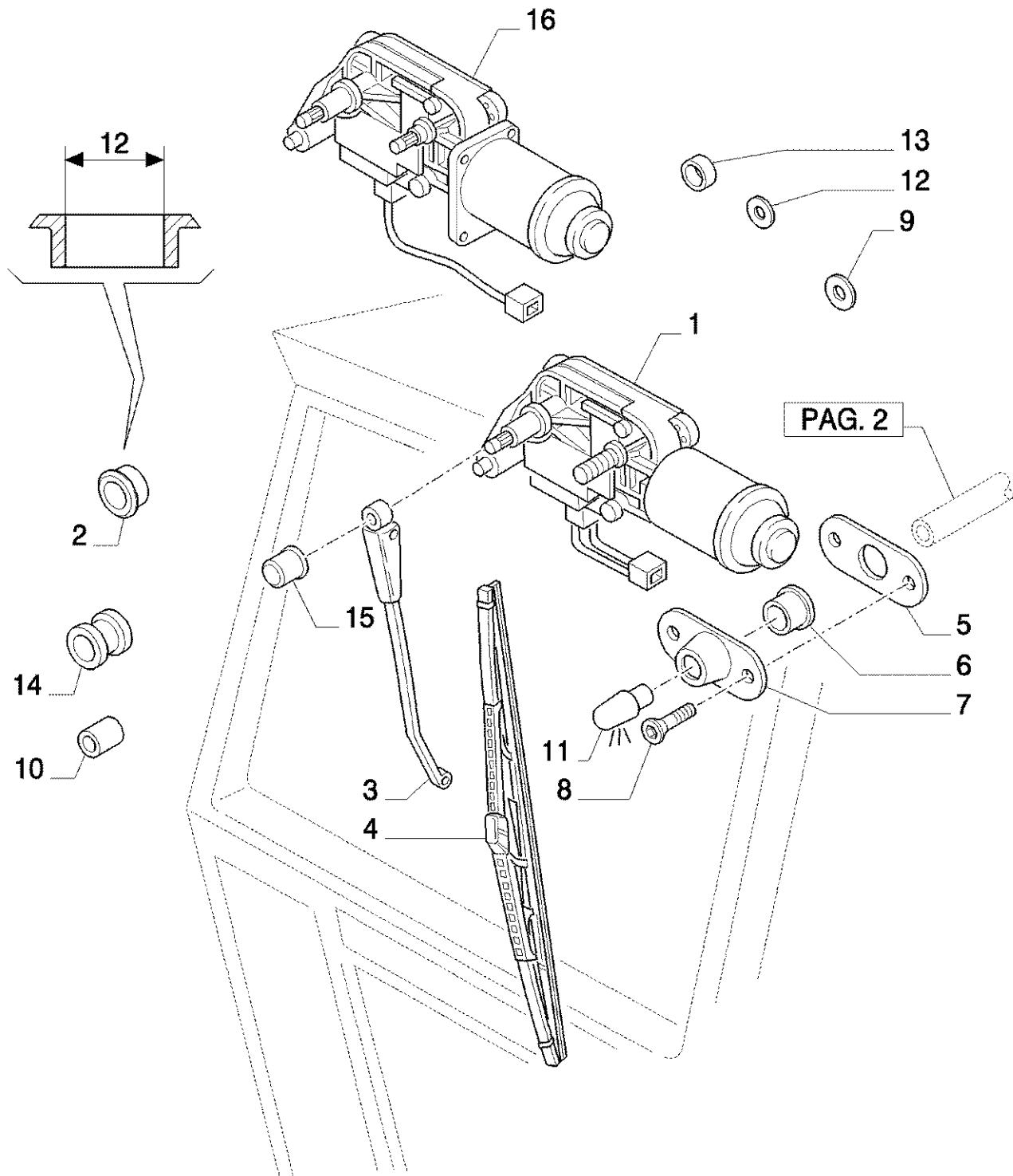
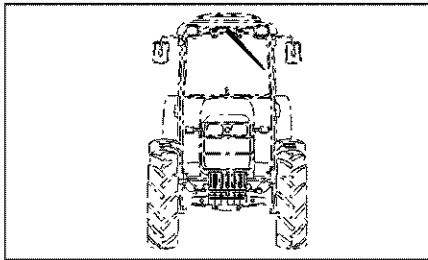
1.92.90 KABINEKADER

Ref	Onderdeelnummer	Kwt	Beschrijving
1	87314972	1	KABINEKADER,
2	83995298	1	ACHTERUITKIJKSPIEGEL, INTERNAL
3	14441421	1	SCHROEF, Hex Soc Flat Hd, M6 x 20, 8.8,
4	5182438	2	PLUG,
5	14115781	4	KABELDOORGANG, D=5
6	10403380	2	RING, 10x2.5
7	12574211	2	NUT, LOCK, M6 x 1, CI 8,
7	12574211	2	NUT, LOCK, M6 x 1, CI 8,
8	82010542	1	STEUNBEUGEL,
9	10979424	2	BOUT, Hex, M6 x 10, 8.8, Full Thd,
9	87304169	2	SCHROEF, M6x16
10	82008353	1	PLAAT,
11	5108455	1	PLUG, D=15
11	5155362	2	PLUG, D=17
11	5108456	4	PLUG, D=10, THK.2
11	5186509	1	PLUG,
11	14508287	2	PLUG, D=50
11	5120596	1	PLUG, D=18, THK.3
11	5198909	1	PLUG,
11	83994150	2	PLUG,
12	5112608	3	PLUG, D=9
13	13276114	2	SCHROEF, Cross Pan Hd, M6 x 14,
14	10516474	2	VEERRING, D=6
15	5191269	1	PLAAT, AFSCHERMING,
16	14592587	4	SCHROEF, 6.5x3.5
17	47133838	1	SLUITSYSTEEM,
18	14122719	23	5x9
19	15811787	3	RESERVOIRDOP, 17x10.5
20	47133700	3	STEUNBEUGEL,
21	47133678	2	STEUNBEUGEL,



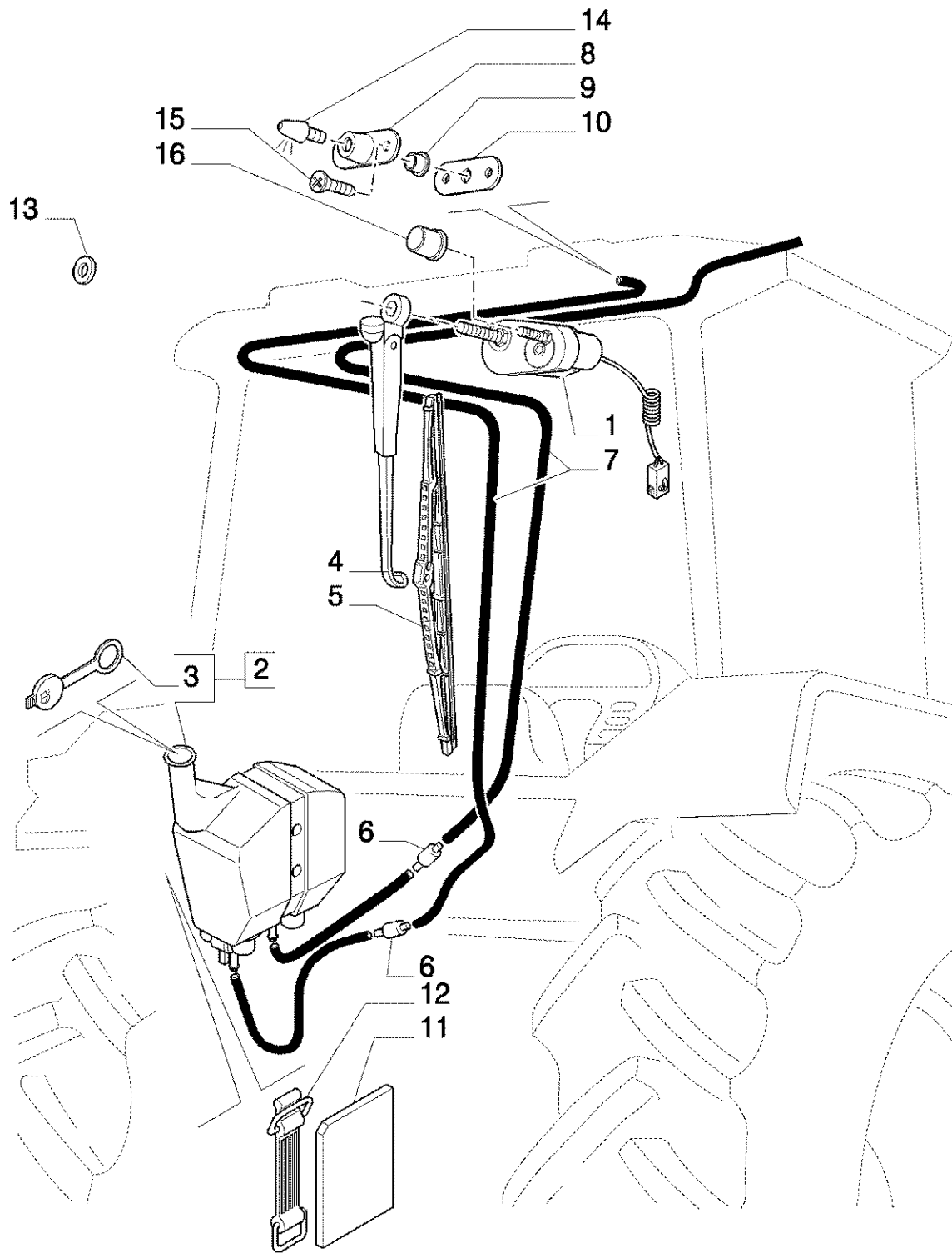
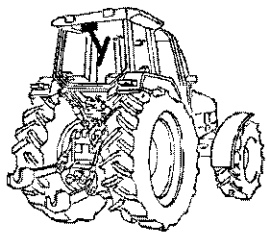
Ref	Onderdeelnummer	Kwt	Beschrijving
1	87314964	1	KABINEKADER,
2	13273511	6	SCHROEF, Cross Pan Hd, M5 x 15,
2	13274124	6	SCHROEF, Cross Pan Hd, M5 x 14,
3	47133700	3	STEUNBEUGEL,
4	5182438	2	PLUG,
5	14115781	4	KABELDOORGANG, D=5
6	10403380	2	RING, 10x2.5
7	12574011	2	NUT, LOCK, M4 x .7, CI 8,
7	12574211	2	NUT, LOCK, M6 x 1, CI 8,
8	47133678	2	STEUNBEUGEL,
9	14122719	23	5x9
10	15811787	3	RESERVOIRDOP, 17x10.5
11	5108456	4	PLUG, D=10, THK.2
11	5186509	1	PLUG,
11	14508287	2	PLUG, D=50
11	14507687	1	PLUG, D=18, THK.3
12	5112608	3	PLUG, D=9
13	13276114	2	SCHROEF, Cross Pan Hd, M6 x 14,
15	5191269	1	PLAAT, AFSCHERMING,
16	47133838	1	SLUITSYSTEEM,
14	86517328	2	VEERRING, M6, D=6

1.92.91(01) VOORSTE RUITEWISSER

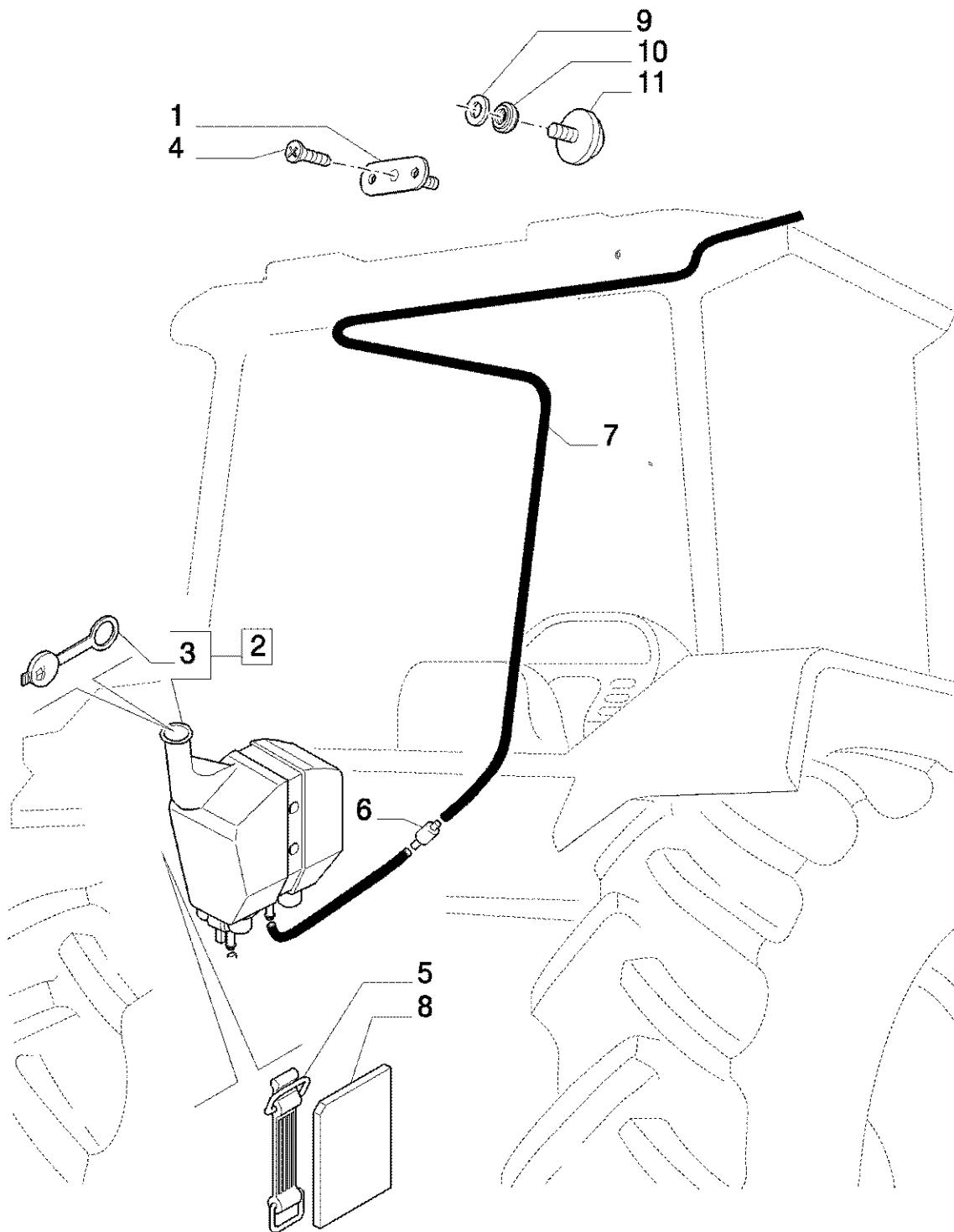
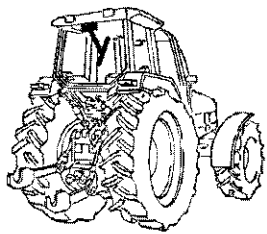


1.92.91(01) VOORSTE RUITEWISSER

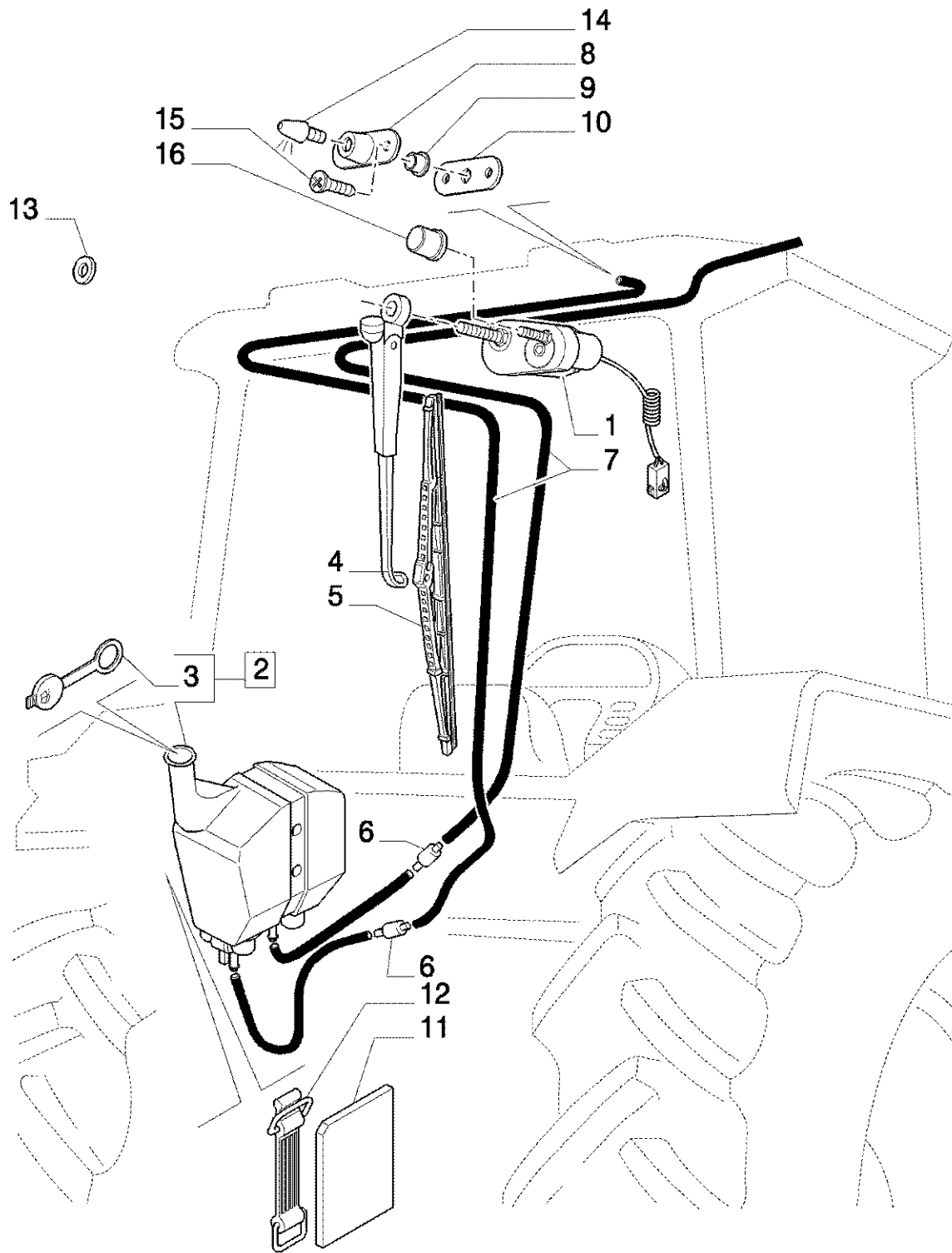
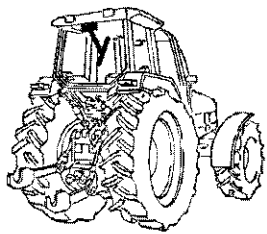
Ref	Onderdeelnummer	Kwt	Beschrijving
1	82007307	1	MOTOR, RUITENWISSER, , -C5405
2	10403780	1	ISOLEERRING, D=10
3	44910511	1	RUITENWISSERBLAD,
4	82003345	1	RUITENWISSERBLAD,
5	79086254	1	DICHTINGSSTUK,
6	70741018	1	LAGERBUS,
7	79086238	1	STEUN,
8	5182240	2	SCHROEF, 7x9.5
9	81872309	1	AFSTANDSRING,
10	44911732	1	AFSTANDSRING,
11	44911649	1	VERSTUIVER,
12	83961985	2	AFSTANDSRING,
13	83962050	2	DICHTRING,
14	85801941	1	RING, RUBBER,
15	5132136	1	DEKSEL,
16	87518043	1	MOTOR, RUITENWISSER, DOGA, D5405-



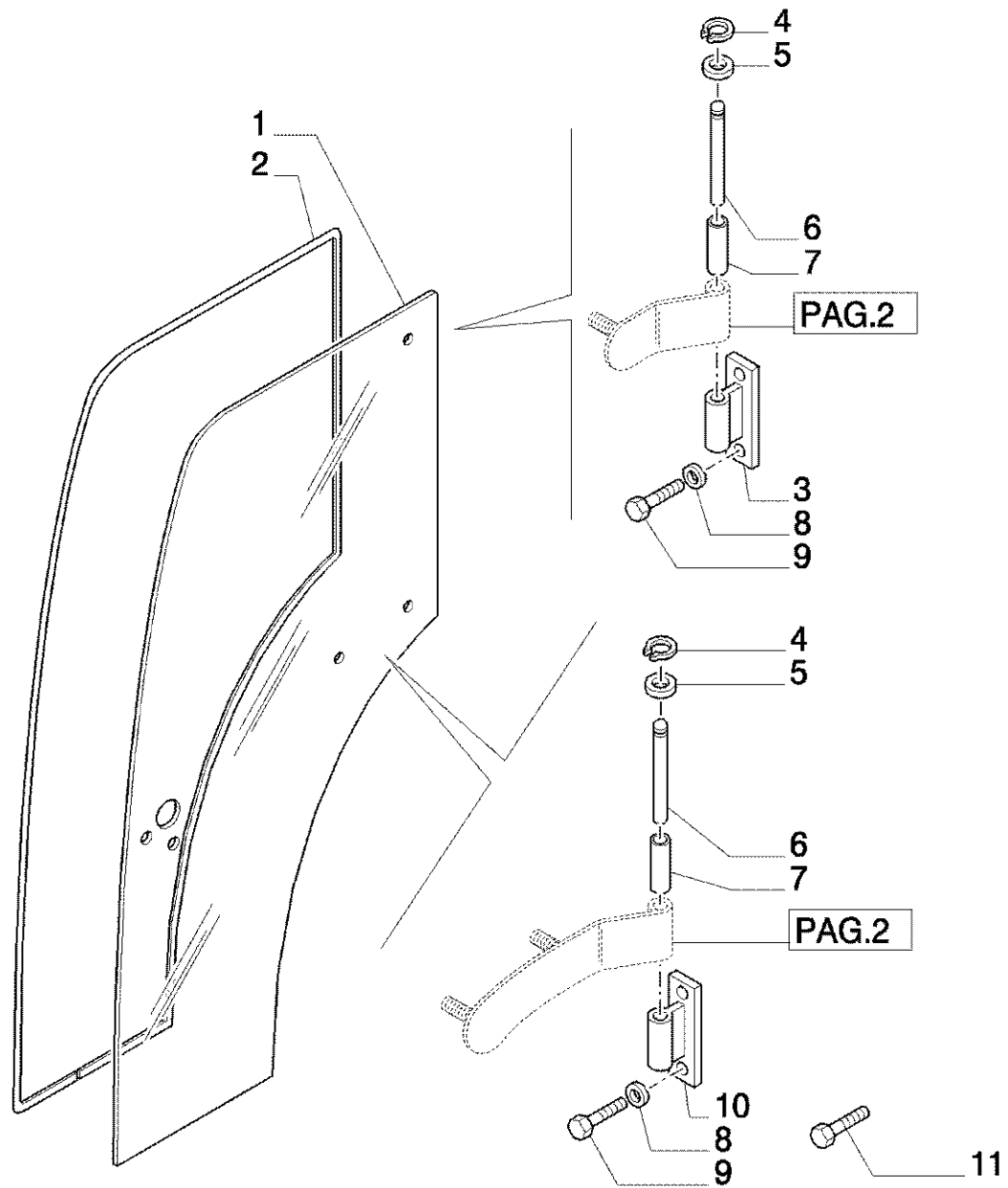
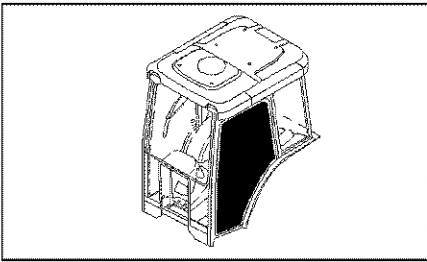
Ref	Onderdeelnummer	Kwt	Beschrijving
1	47132748	1	MOTOR, RUITENWISSER, INCL. 13
2	5180309	1	RESERVOIR REINIGINGMIDDE, ASSY
3	5175736	1	RESERVOIRDOP,
4	5156051	1	RUITENWISSERBLAD,
5	5144385	1	RUITENWISSERBLAD,
6	5136113	2	KLEP,
7	19054783	MT	FLEXIBELE SLANG,
8	79086238	1	STEUN,
9	70741018	1	LAGERBUS,
10	79086254	1	DICHTINGSSTUK,
11	5180638	1	DICHTINGSSTUK,
12	5180293	1	'BORGRIEM,
13	12626224	1	SLUITRING, M10 x 25 x 3,
14	44911649	1	VERSTUIVER,
15	5182240	2	SCHROEF, 7x9.5
16	5132136	1	DEKSEL,



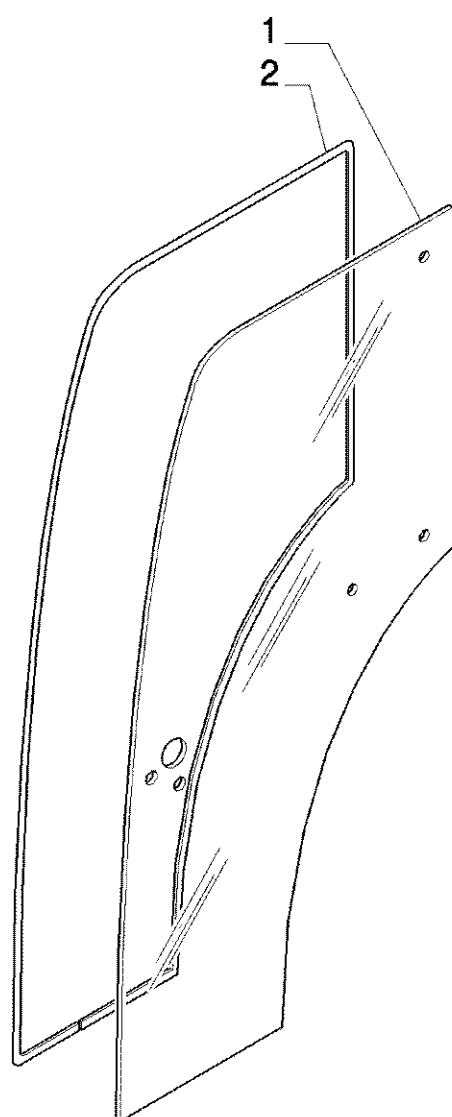
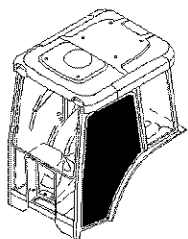
Ref	Onderdeelnummer	Kwt	Beschrijving
1	87355043	1	STEUN,
2	5180309	1	RESERVOIR REINIGINGMIDDE, ASSY
3	5175736	1	RESERVOIRDOP,
4	5182240	2	SCHROEF, 7x9.5
5	5180293	1	'BORGRIEM,
6	5136113	1	KLEP,
7	19054783	MT	FLEXIBELE SLANG,
8	5180638	1	DICHTINGSSTUK,
9	5120540	2	KNOP,
10	5124800	4	DICHTINGSSTUK,
11	5131923	2	PAKKINGMOER,



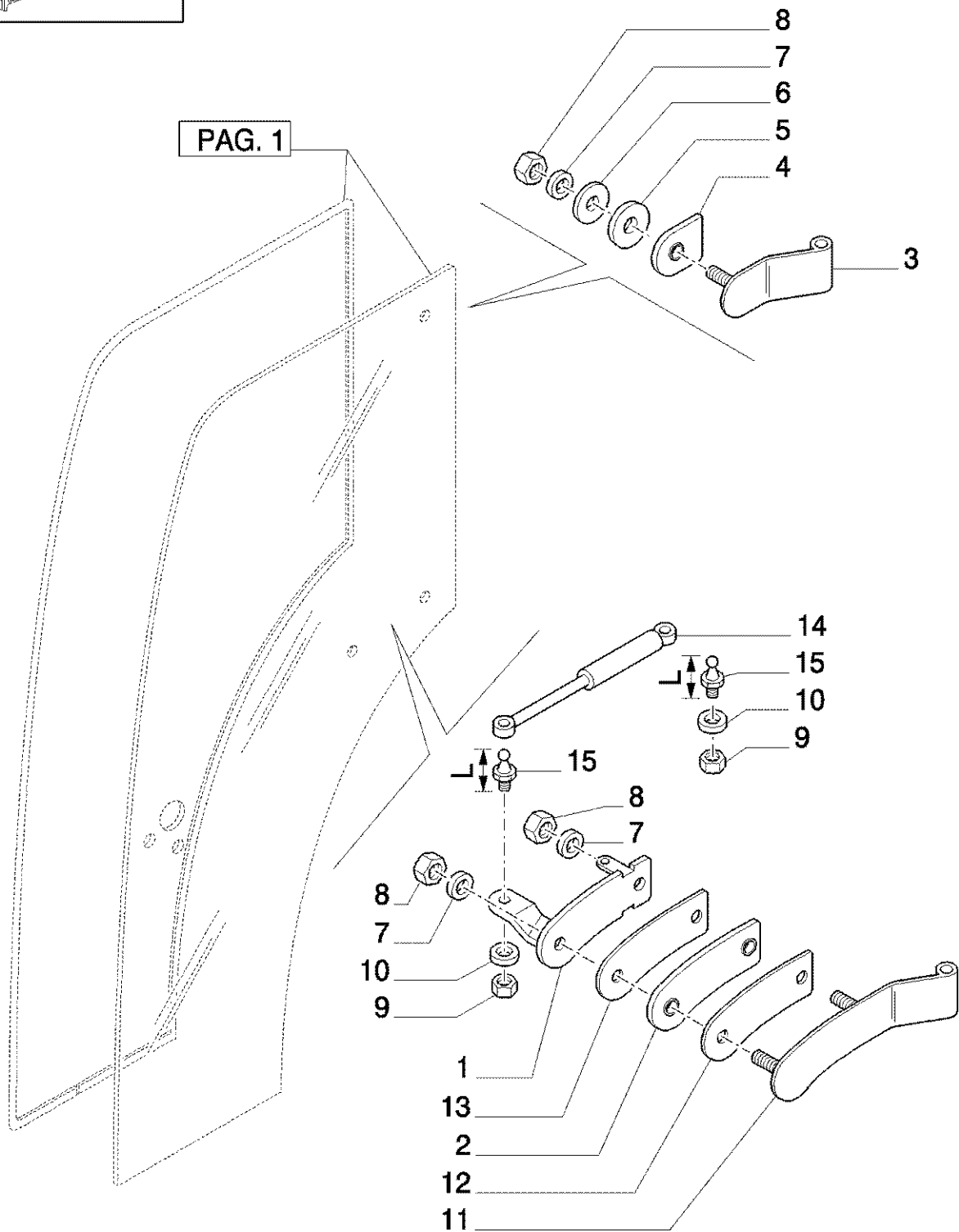
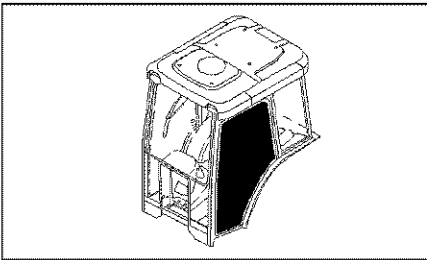
Ref	Onderdeelnummer	Kwt	Beschrijving
1	47132748	1	MOTOR, RUITENWISSER, INCL. 13
2	5180309	1	RESERVOIR REINIGINGMIDDE, ASSY
3	5175736	1	RESERVOIRDOP,
4	5156051	1	RUITENWISSERBLAD,
5	5144385	1	RUITENWISSERBLAD,
6	5136113	2	KLEP,
7	19054783	MT	FLEXIBELE SLANG,
8	79086238	1	STEUN,
9	70741018	1	LAGERBUS,
10	79086254	1	DICHTINGSSTUK,
11	5180638	1	DICHTINGSSTUK,
12	5180293	1	'BORGRIEM,
13	12626224	1	SLUITRING, M10 x 25 x 3,
14	44911649	1	VERSTUIVER,
15	5182240	2	SCHROEF, 7x9.5
16	5132136	1	DEKSEL,



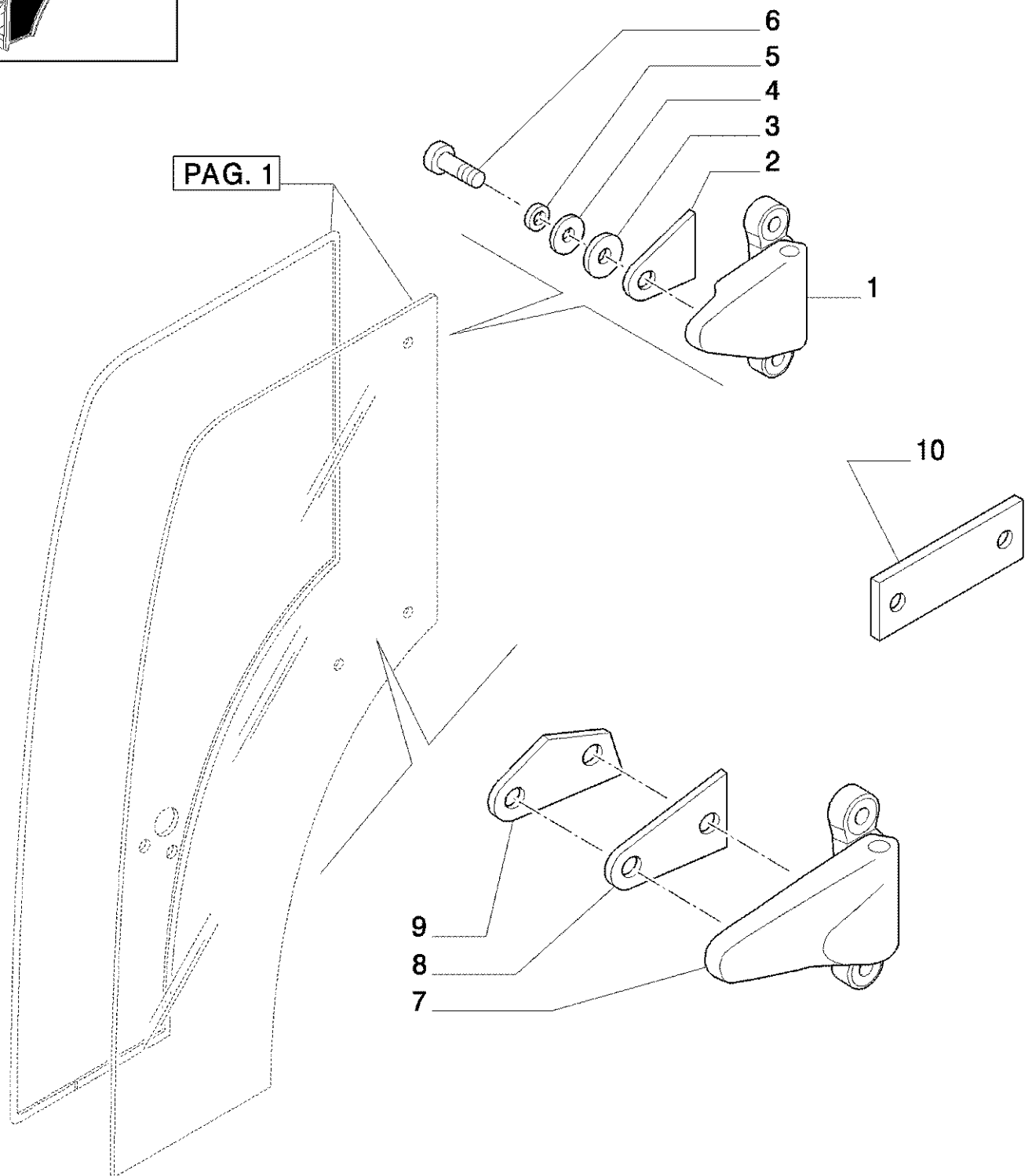
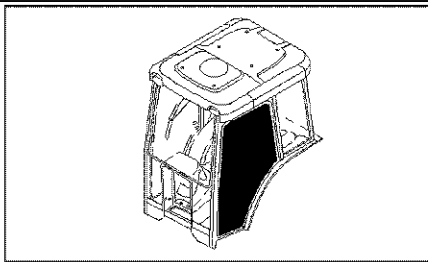
Ref	Onderdeelnummer	Kwt	Beschrijving
1	5196840	1	GLAS, RH
1	5196841	1	GLAS, LH
2	47123094	2	DICHTINGSSTUK,
3	44910466	2	SCHARNIER,
4	11065970	8	BORGVEER, M10, M10
5	44910565	4	SLUITRING, NYLON
6	5186477	4	PEN,
7	44910564	4	LAGERBUS, NYLON
8	5182265	8	VEERRING, 8x17
9	5182261	8	SCHROEF, M8x20
10	44910467	2	SCHARNIER,
11	16043224	1	BOUT, Hex, M8 x 16, 8.8, Full Thd,



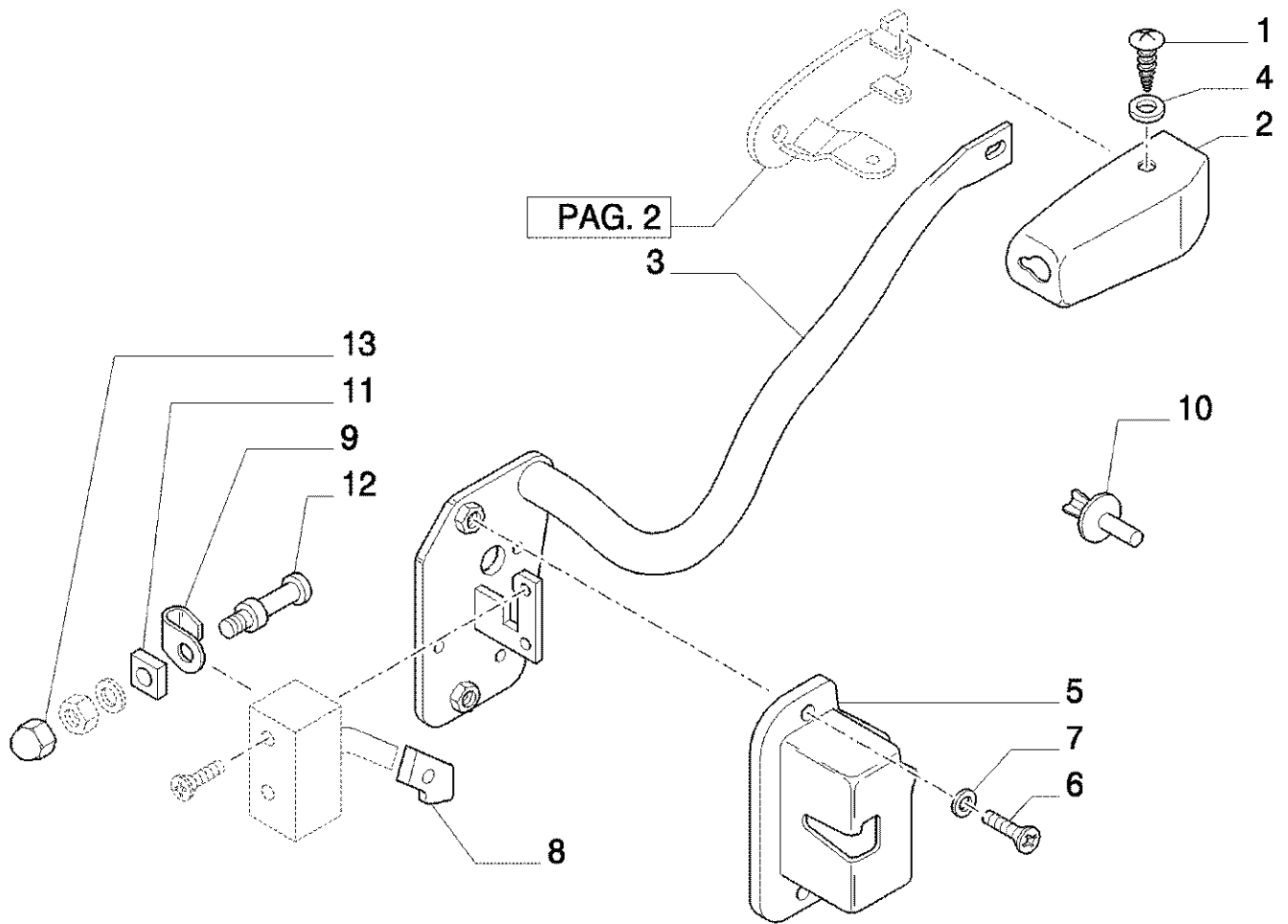
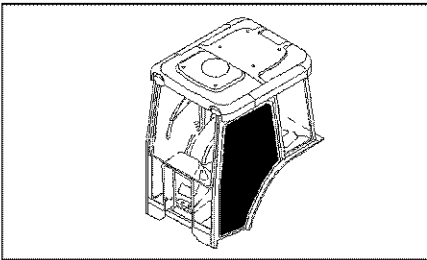
Ref	Onderdeelnummer	Kwt	Beschrijving
1	87301767	1	GLAS, RH
1	87301768	1	GLAS, LH
2	5183312	2	DICHTINGSSTUK,



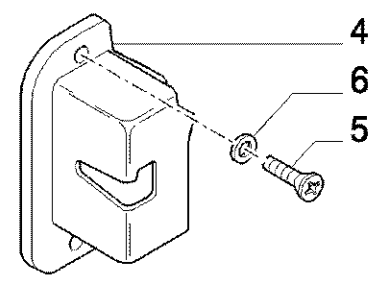
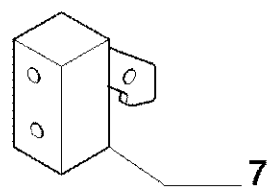
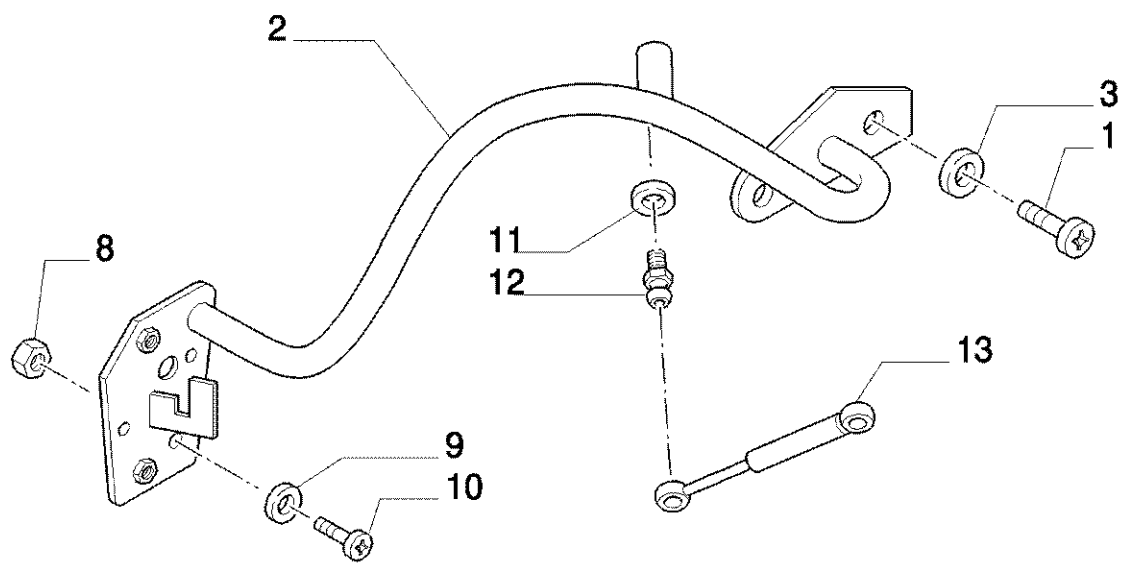
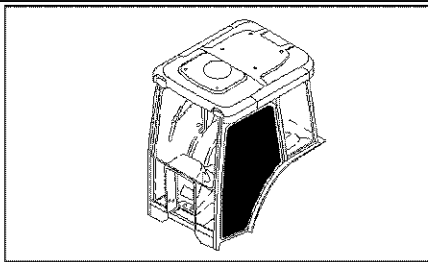
Ref	Onderdeelnummer	Kwt	Beschrijving
1	44911526	1	PLAAT, RH
1	44911527	1	PLAAT, LH
2	44910532	2	DICHTINGSSTUK, OUTER
3	44911540	1	SCHARNIER, RH
3	44911541	1	SCHARNIER, LH
4	44910469	2	DICHTINGSSTUK,
5	5124800	2	DICHTINGSSTUK,
6	44911666	4	SLUITRING,
7	12646204	4	SLUITRING, M8 x 35 x 3,
8	5182241	6	MOER, M8
9	16102311	4	MOER, Thin, M8 x 1.25, CI 04,
10	5182303	4	VEERRING, 8x15
11	44911538	1	SCHARNIER, RH
11	44911539	1	SCHARNIER, LH
12	44910533	2	DICHTINGSSTUK,
13	44911552	2	DICHTINGSSTUK, INNER
14	5191712	2	SCHOKDEMPER, MAX191
15	44910148	4	SCHARNIER, L=32
15	83952214	2	KOGELPEN, L=29.5



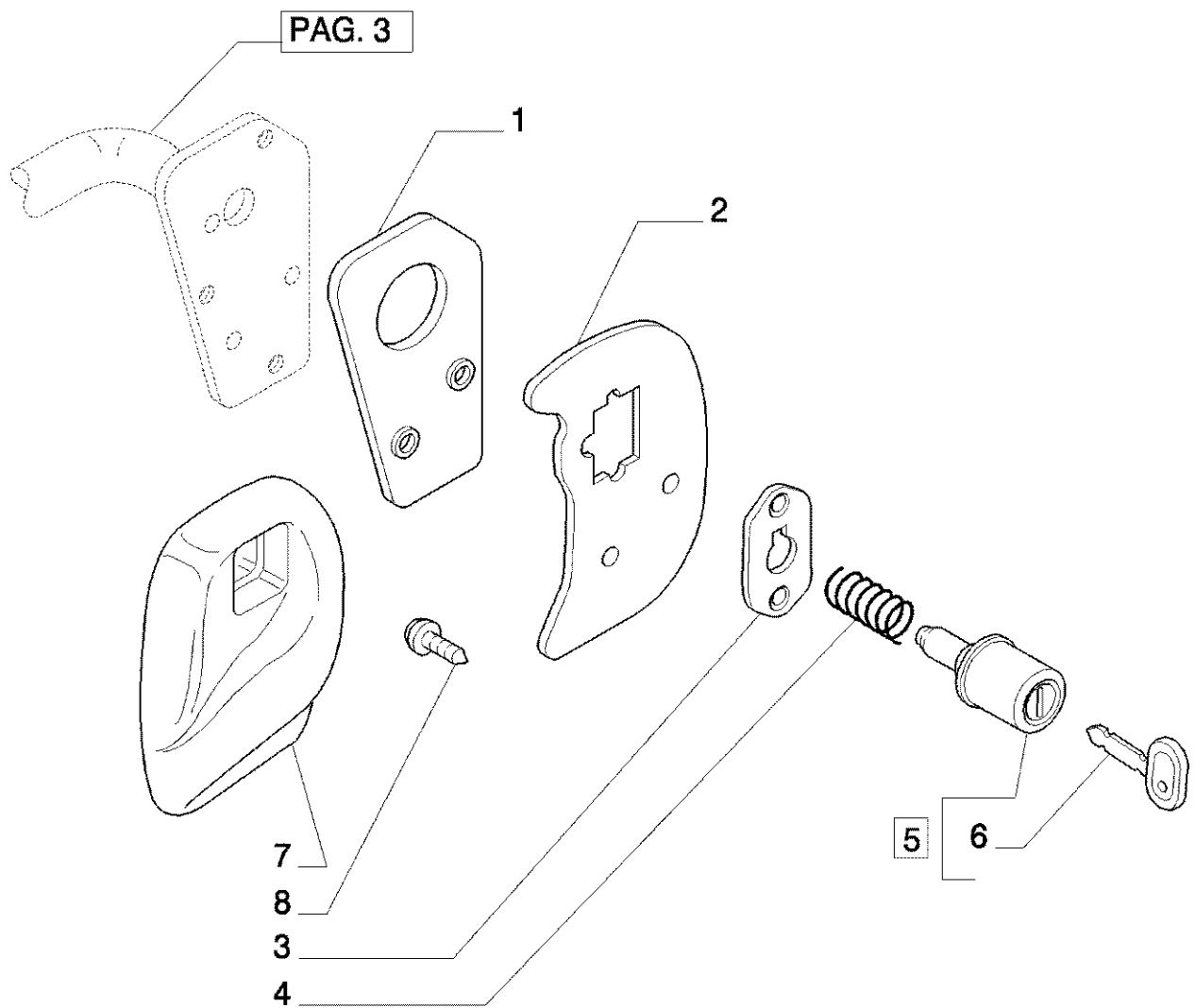
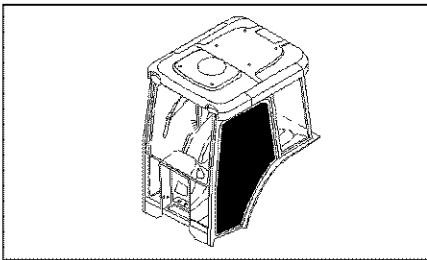
Ref	Onderdeelnummer	Kwt	Beschrijving
1	87301779	1	SCHARNIER, RH
1	87301781	1	SCHARNIER, LH
2	87352398	2	DICHTINGSSTUK,
3	87352397	2	DICHTINGSSTUK,
4	87352400	2	VEERRING,
5	13578301	2	SLUITRING, M8 x 24 x 2,
6	87352614	2	SCHROEF, M8
7	87301778	1	SCHARNIER, RH
7	87301780	1	SCHARNIER, LH
8	87352385	2	DICHTINGSSTUK, LH, RH
9	87352378	2	DICHTINGSSTUK, Inner
10	87352376	4	PLAAT, AFSCHERMING,



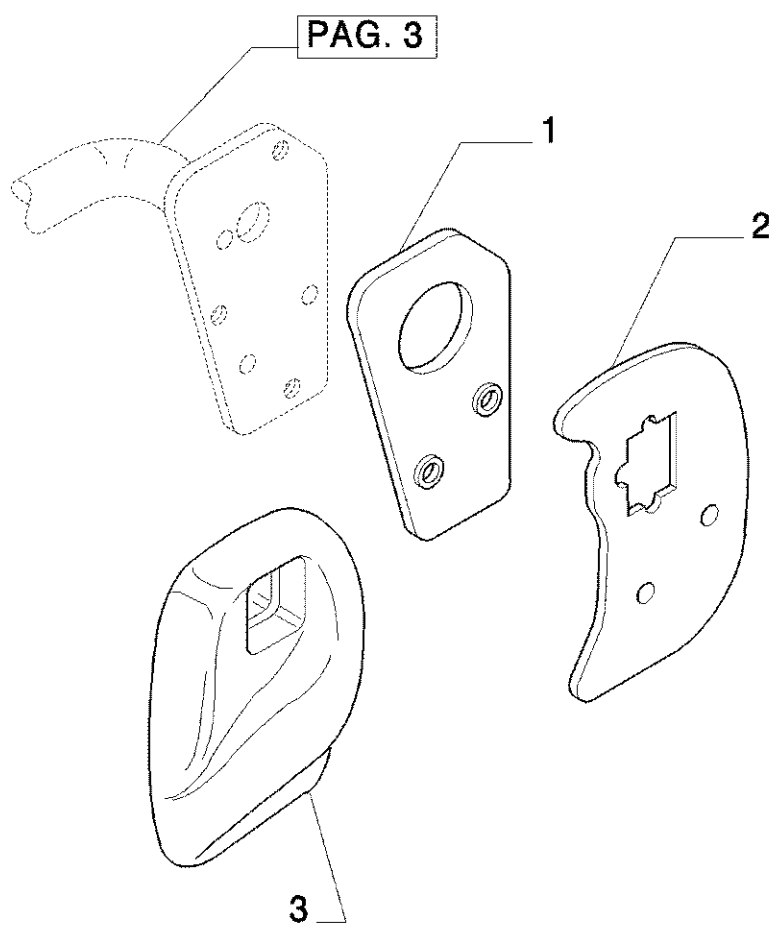
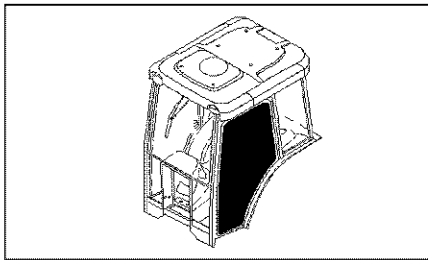
Ref	Onderdeelnummer	Kwt	Beschrijving
1	14441724	4	SCHROEF, Hex Soc Flat Hd, M6 x 35, 8.8,
2	44910444	1	AFSCHERMING, RH
2	44910445	1	AFSCHERMING, LH
3	5184482	1	HENDEL, RH
3	5184680	1	HENDEL, LH
4	12624904	4	SLUITRING, M6 x 30 x 1.5,
5	44910374	1	AFSCHERMING, RH, INNER
5	44910375	1	AFSCHERMING, LH, INNER
6	5182270	6	ONTLUCHTSCHROEF, M6x10
7	12648201	6	SLUITRING, M6 x 10 x 1,
8	44910472	1	SLOT, RH
8	44910473	1	SLOT, LH
9	5186620	2	AFSCHERMING,
10	5162852	2	KNOP,
11	44911743	2	PLAAT, AFSCHERMING,
12	44911744	2	PEN,
13	5132136	2	DEKSEL, M8



Ref	Onderdeelnummer	Kwt	Beschrijving
1	87352614	4	SCHROEF,
2	87353602	1	HENDEL, RH
2	87353608	1	HENDEL, LH
3	13578301	4	SLUITRING, M8 x 24 x 2,
4	44910374	1	AFSCHERMING, RH, Inner
4	44910375	1	AFSCHERMING, LH, Inner
5	5182270	6	ONTLUCHTSCHROEF, M6x10
6	12648278	6	SLUITRING, M6 x 10 x 1, Stainless,
7	44910472	1	SLOT, RH
7	44910473	1	SLOT, LH
8	10725914	3	NUT, LOCK, M6 x 1, CI 04,
9	12648221	3	
10	14441724	2	SCHROEF, Hex Soc Flat Hd, M6 x 35, 8.8,
11	10519601	2	SLUITRING, M8 x 17 x 2,
12	83952214	2	KOGELPEN,
13	87352613	2	SCHOKDEMPER,

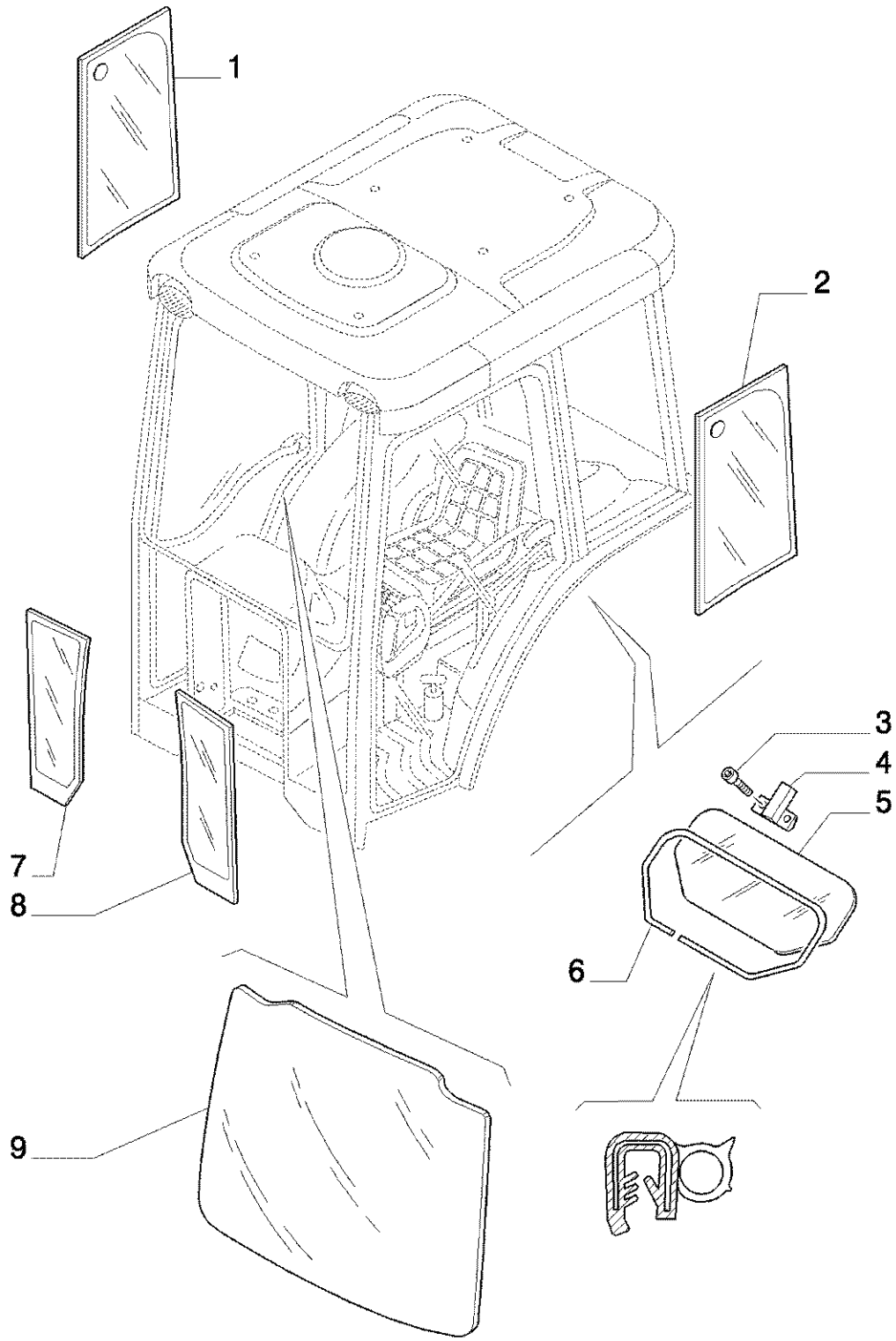
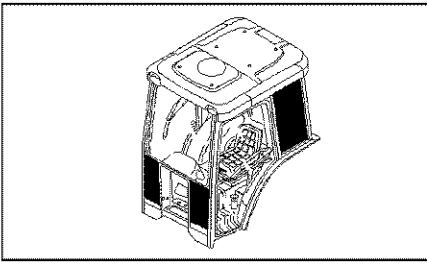


Ref	Onderdeelnummer	Kwt	Beschrijving
1	44910534	1	DICHTINGSSTUK, RH, INNER
1	44910535	1	DICHTINGSSTUK, LH, INNER
2	5182027	1	DICHTINGSSTUK, LH
2	5182028	1	DICHTINGSSTUK, RH
3	44911564	2	PLAAT, AFSCHERMING,
4	44911576	2	VEER,
5	44911575	2	CYLINDERSLOT,
6	9970438	2	DEURGRENDELINGSSLEUTEL,
7	44911562	1	HENDEL, RH, OUTER
7	44911563	1	HENDEL, LH, OUTER
8	12678801	2	SCHROEF, M3x8

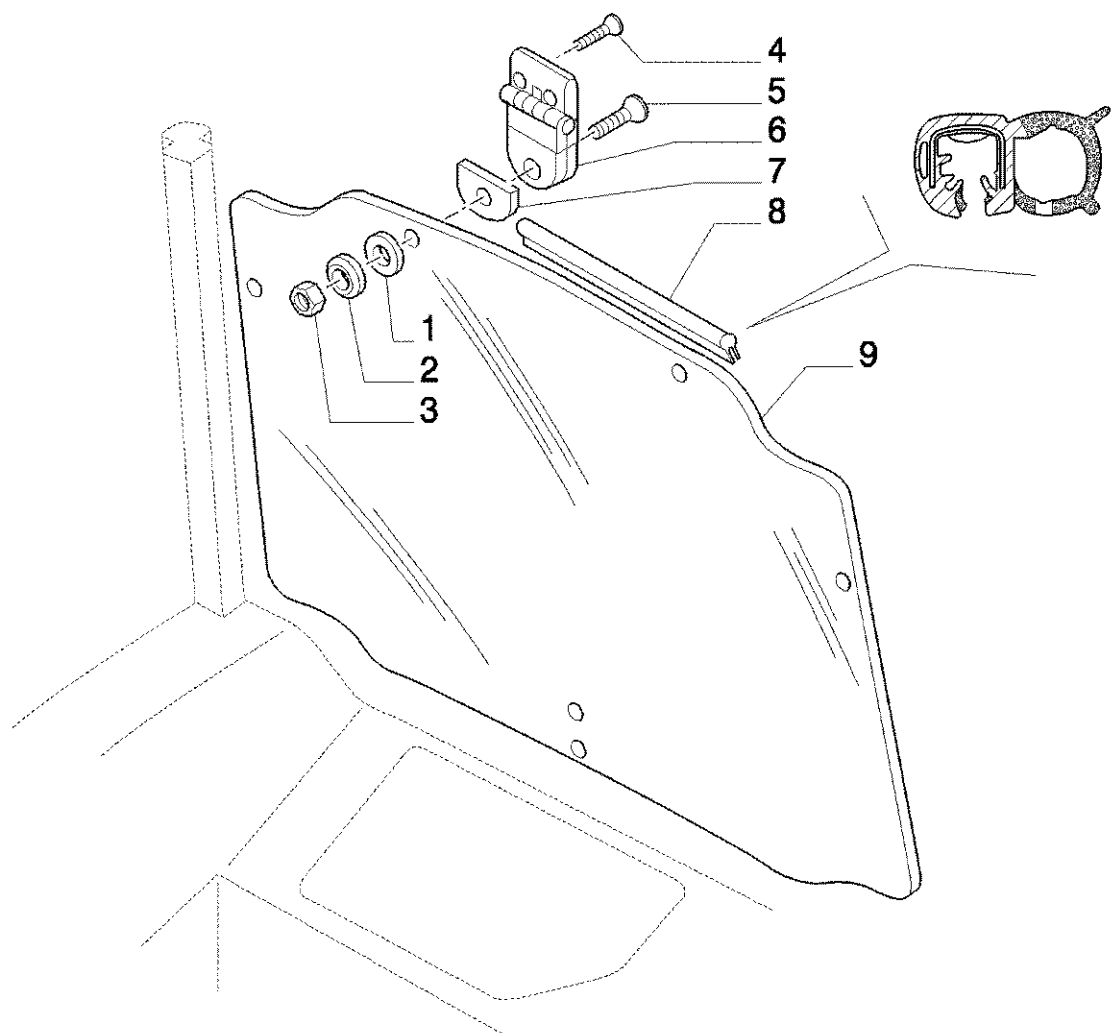
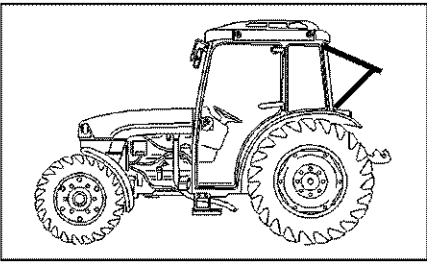


Ref	Onderdeelnummer	Kwt	Beschrijving
1	44910534	1	DICHTINGSSTUK, RH, Inner
1	44910535	1	DICHTINGSSTUK, LH, Inner
2	5182027	1	DICHTINGSSTUK, LH
2	5182028	1	DICHTINGSSTUK, RH
3	44911618	1	RH, Outer
3	44911619	1	LH, Outer

1.92.92(05) RUITEN CABINE EN DESBETREFFENDE DELEN

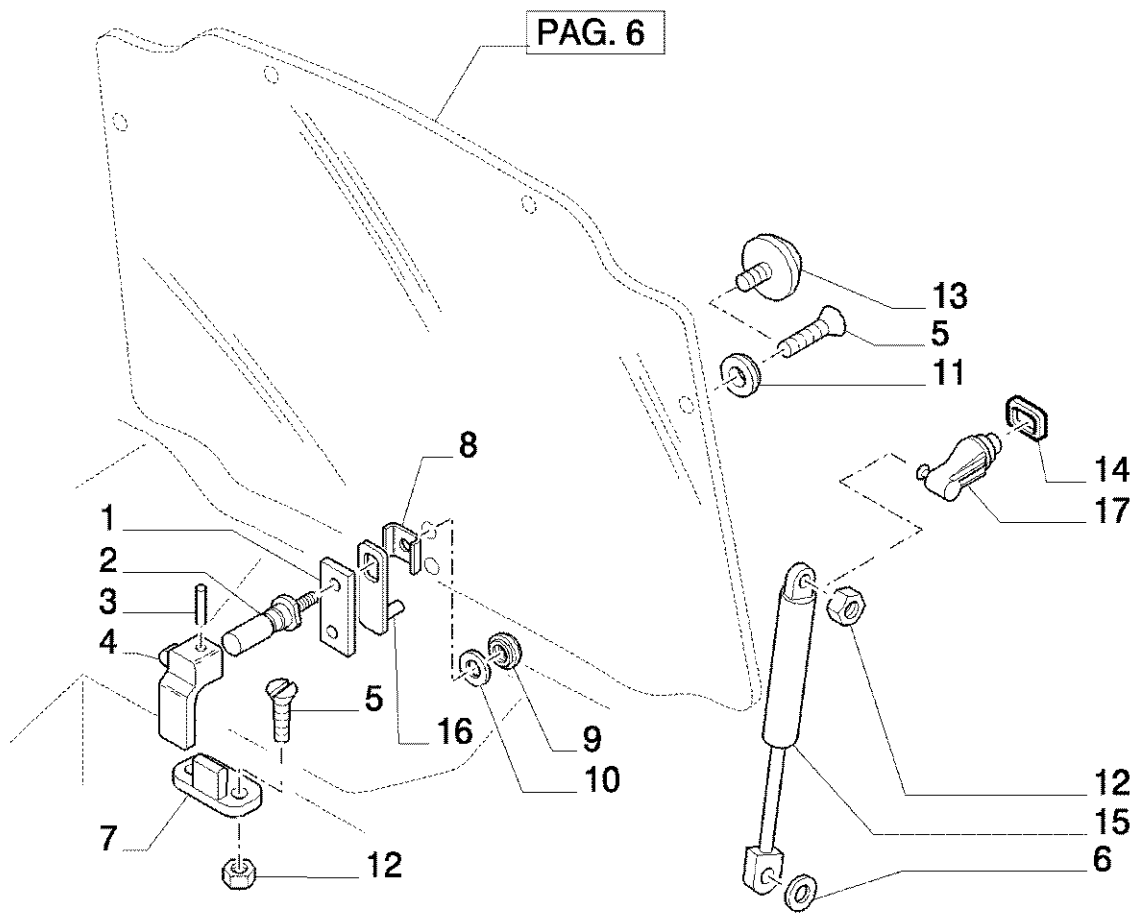
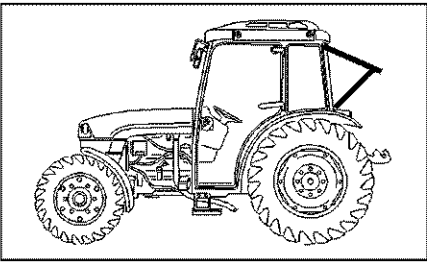


Ref	Onderdeelnummer	Kwt	Beschrijving
1	47130822	1	GLAS, RH
2	47130823	1	GLAS, LH
4	82000487	2	KLINK,
5	44911518	1	GLAS, LOWER REAR
6	5183309	1	DICHTINGSSTUK,
7	44911514	1	GLAS, RH
8	44911515	1	GLAS, LH
9	44911513	1	GLAS,
3	15909407	4	ZELFTAPPENDE SCHROEF, Cross Oval Hd, M3.5 x 19, 6x19

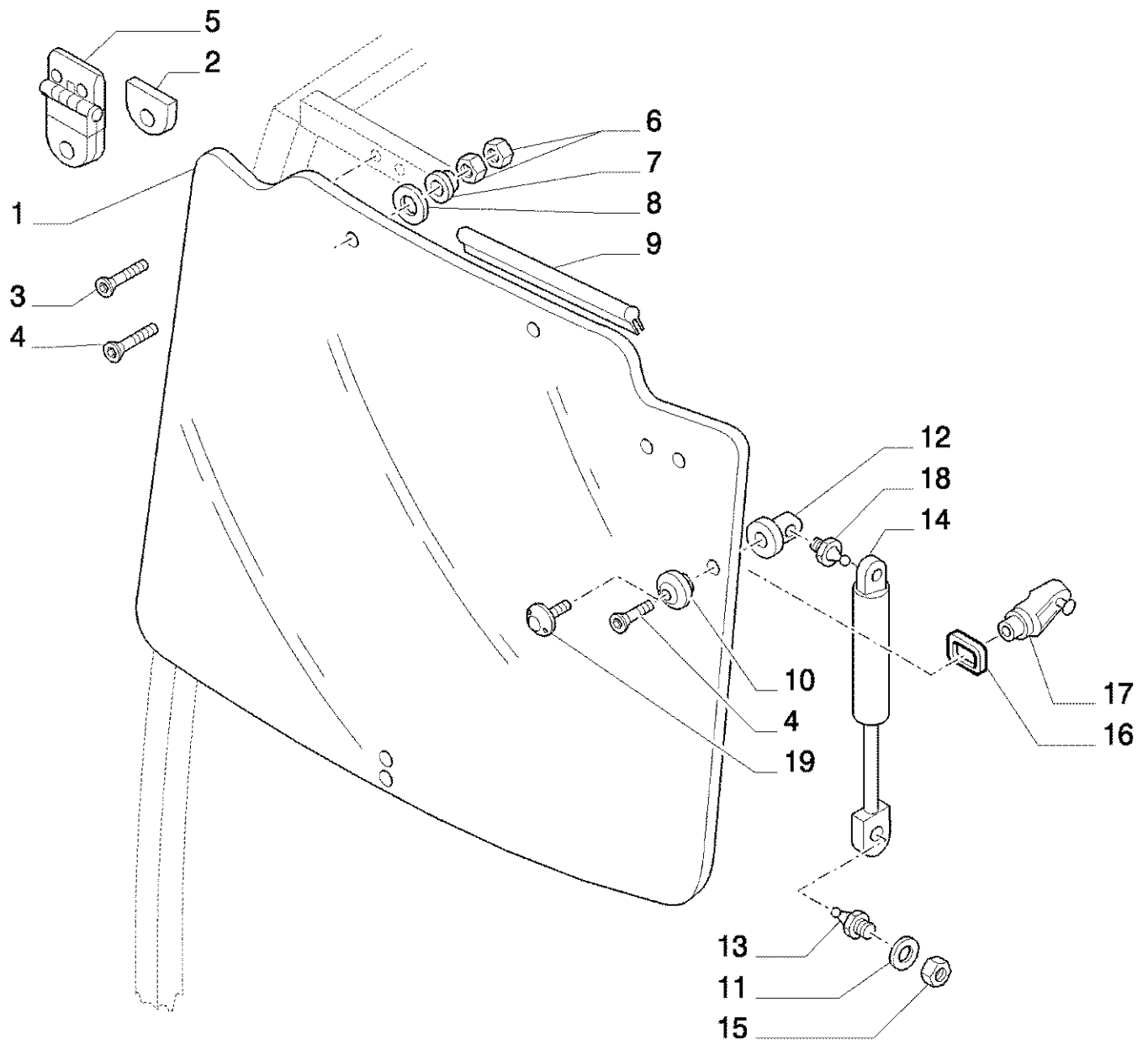
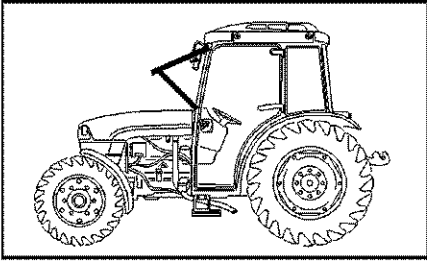


1.92.92(06) CABINE - ACHTERRUIT

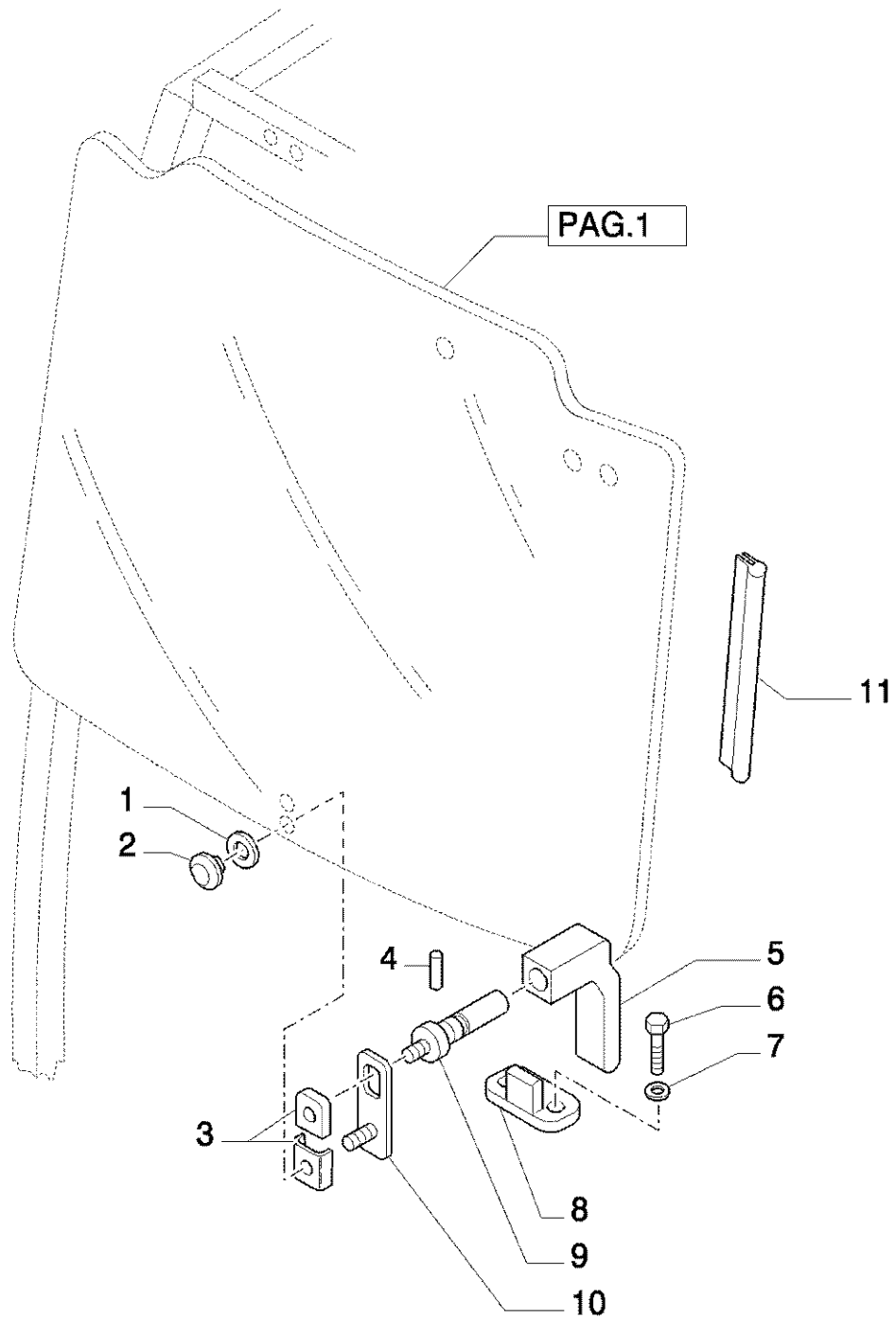
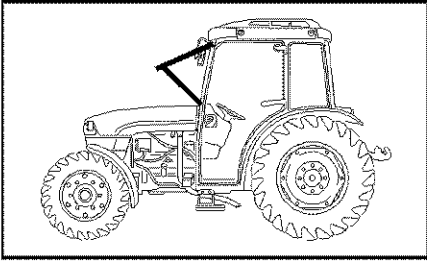
Ref	Onderdeelnummer	Kwt	Beschrijving
1	44910151	4	RING, RUBBER,
2	44911601	2	STOOTSTUK,
3	5182282	2	MOER, M8
4	5182236	4	SCHROEF, M8x20
5	5182238	2	SCHROEF, M8x35
6	5185205	2	SCHARNIER,
7	5192646	1	DICHTINGSSTUK, RH
7	5192749	1	DICHTINGSSTUK, LH
8	5196385	1	DICHTINGSSTUK,
9	44911502	1	GLAS, REAR



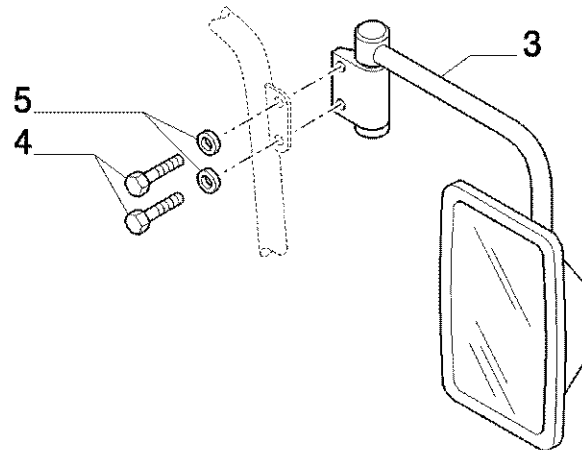
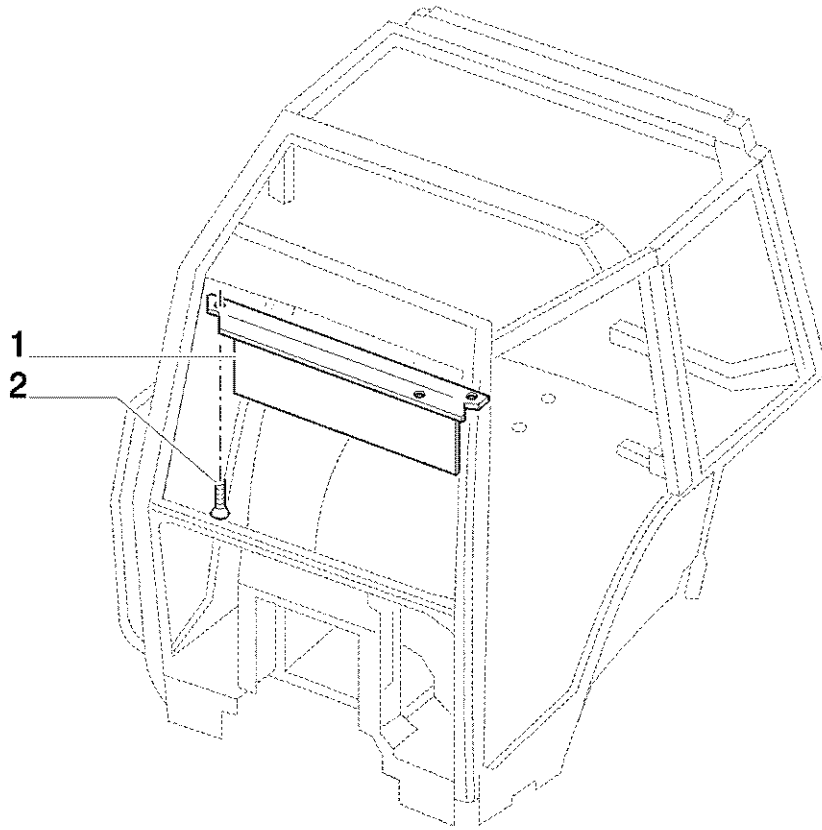
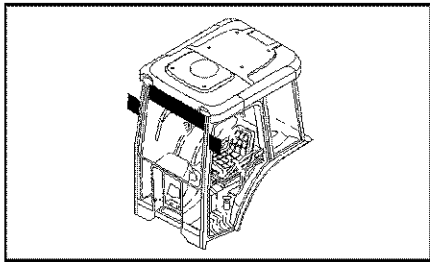
Ref	Onderdeelnummer	Kwt	Beschrijving
1	44911521	4	PLAAT, AFSCHERMING,
2	5183752	1	INCL.REF. 3,4
3	14159970	1	SLUITPEN, M2.5 x 20, Slotted,
4	87575079	1	HENDEL,
5	5182238	2	SCHROEF, M8x35
5	5182238	2	SCHROEF, M8x35
6	14496521	2	SLUITRING, M8 x 17 x 1.6,
7	44911574	1	SLAGHAMERPLAAT,
8	5113395	1	DICHTINGSSTUK,
9	5120540	8	KNOP,
10	5124800	4	DICHTINGSSTUK,
11	44910150	2	DICHTRING,
11	5124800	2	DICHTINGSSTUK,
12	5182241	8	MOER, M8
13	5131923	2	PAKKINGMOER,
14	5108658	2	DICHTINGSSTUK,
15	5192009	2	SCHOKDEMPER,
16	5186866	1	PLAAT,
17	5147439	2	STEUN,



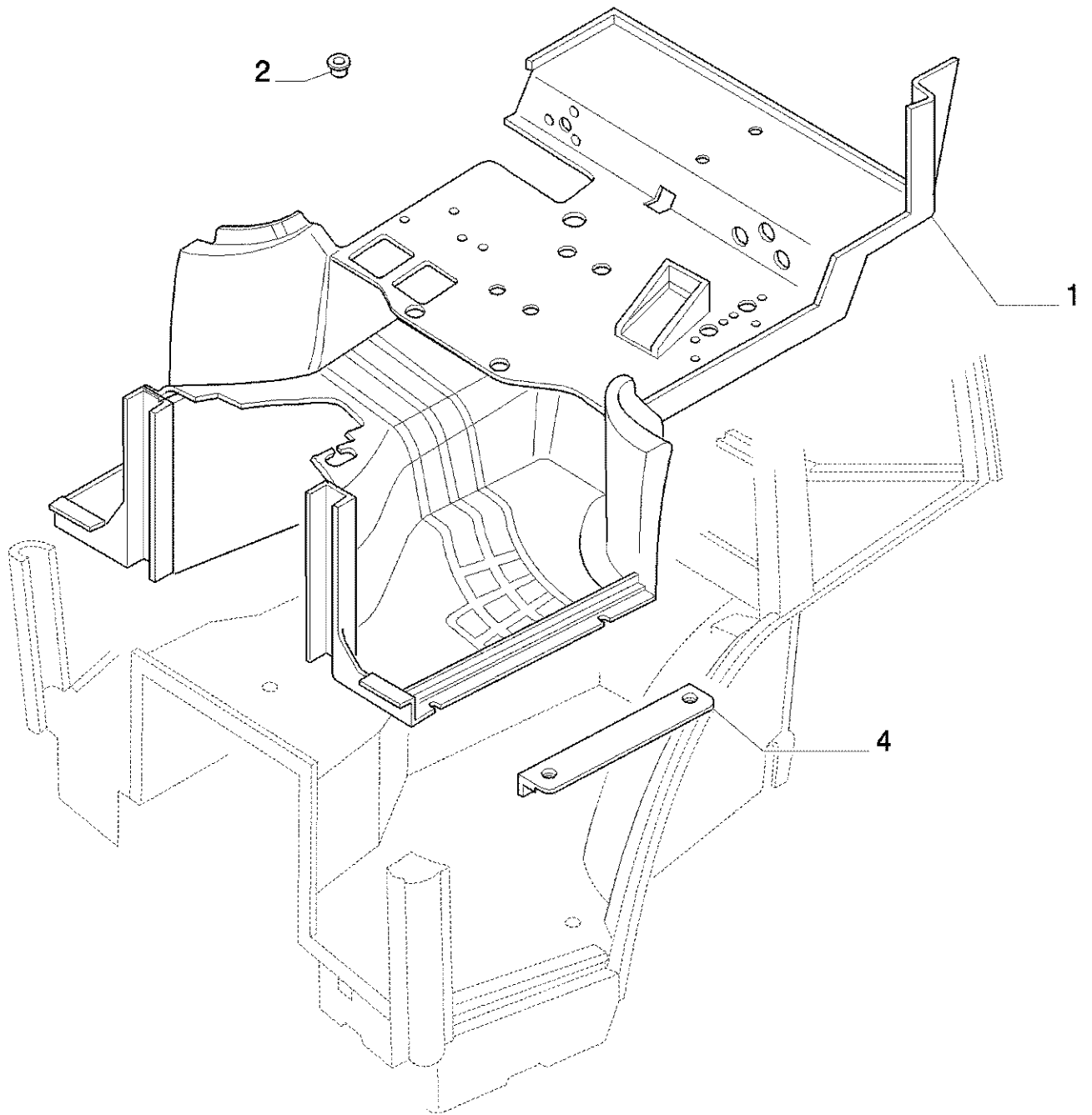
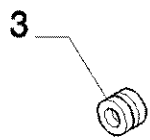
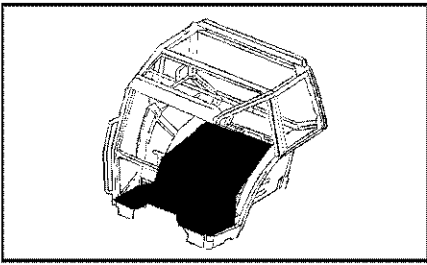
Ref	Onderdeelnummer	Kwt	Beschrijving
1	44911501	1	GLAS,
2	5192749	1	DICHTINGSSTUK, RH
2	5192646	1	DICHTINGSSTUK, LH
3	5182236	4	SCHROEF, M8x20
4	5182238	2	SCHROEF, M8x35
5	5185205	2	SCHARNIER,
6	5182282	2	MOER, M8
7	44911601	2	STOOTSTUK,
8	44910151	2	RING, RUBBER,
9	5196386	1	DICHTINGSSTUK,
10	44910150	2	DICHTRING,
10	5124800	2	DICHTINGSSTUK,
11	14496521	2	SLUITRING, M8 x 17 x 1.6,
12	44910149	2	SCHARNIER,
13	44910148	2	SCHARNIER,
14	44910537	2	SCHOKDEMPER,
15	5182241	4	MOER, M8
16	5108658	2	DICHTINGSSTUK,
17	5147439	2	STEUN,
18	44910148	2	SCHARNIER,
19	5131923	2	PAKKINGMOER,



Ref	Onderdeelnummer	Kwt	Beschrijving
1	5124800	1	DICHTINGSSTUK,
2	5120540	2	KNOP,
3	5113395	4	DICHTINGSSTUK,
4	14159970	1	SLUITPEN, M2.5 x 20, Slotted,
5	87575079	1	HENDEL,
6	5182238	4	SCHROEF, M8x35
7	5182241	4	MOER, M8
8	44911574	2	SLAGHAMERPLAAT,
9	5183752	1	INCL.REF.4,5
10	5186866	1	PLAAT,
11	5167998	MT	DICHTINGSSTUK, L=500

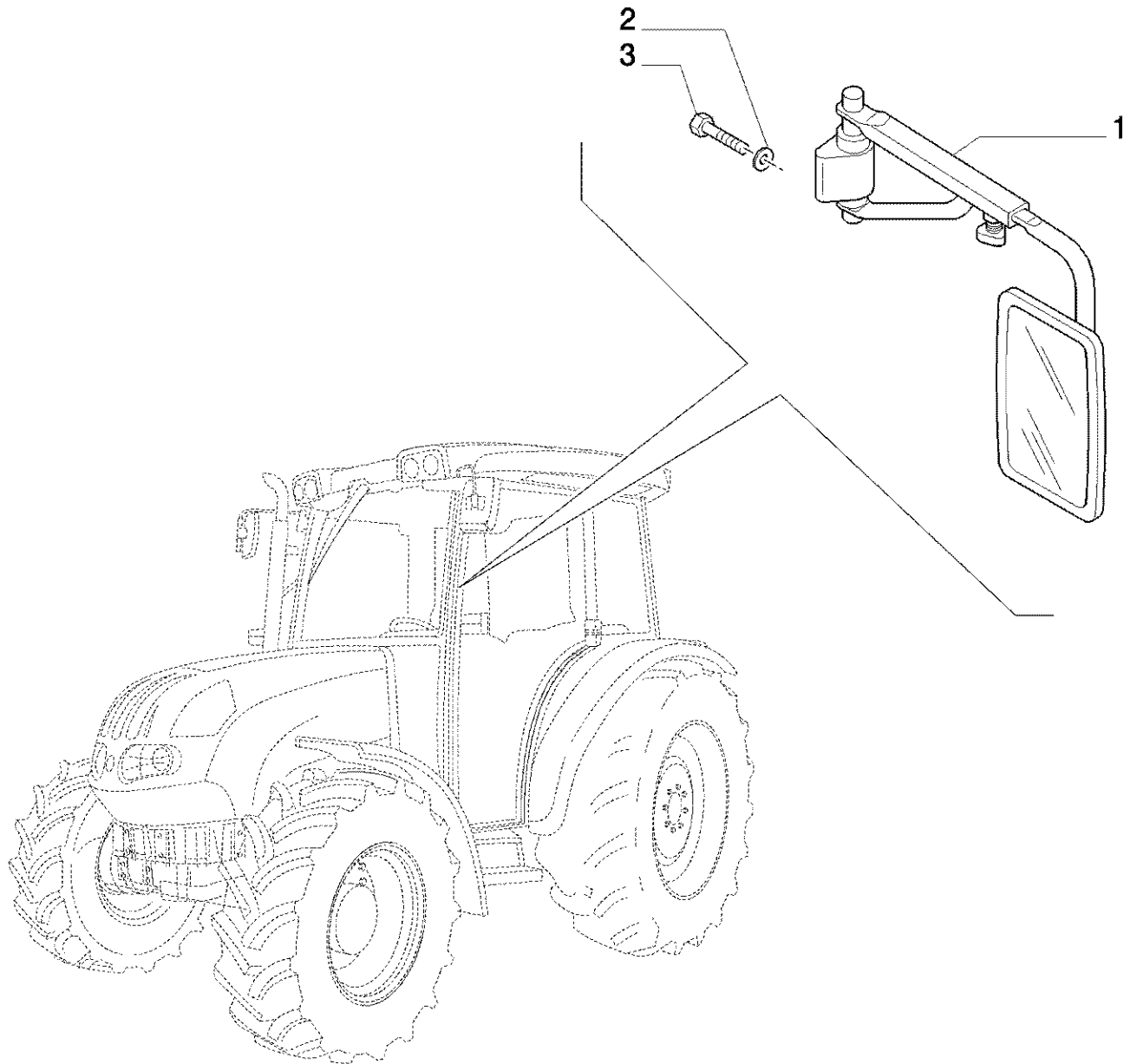
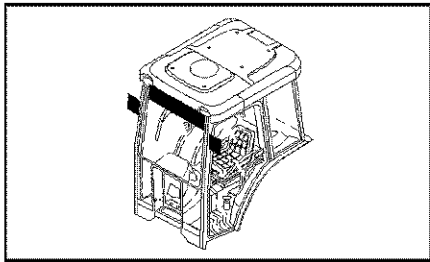


Ref	Onderdeelnummer	Kwt	Beschrijving
1	5182996	1	ZONNEKLEP, ASSY
2	13271924	2	SCHROEF, Cross Pan Hd, M4 x 10, 8.8,
3	5195509	1	ACHTERUITKIJKSPIEGEL, RH, ASSY
3	5195506	1	ACHTERUITKIJKSPIEGEL, LH, ASSY
4	5182263	4	SCHROEF, M8x18
5	5182264	4	SLUITRING, 8x13



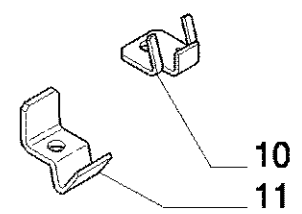
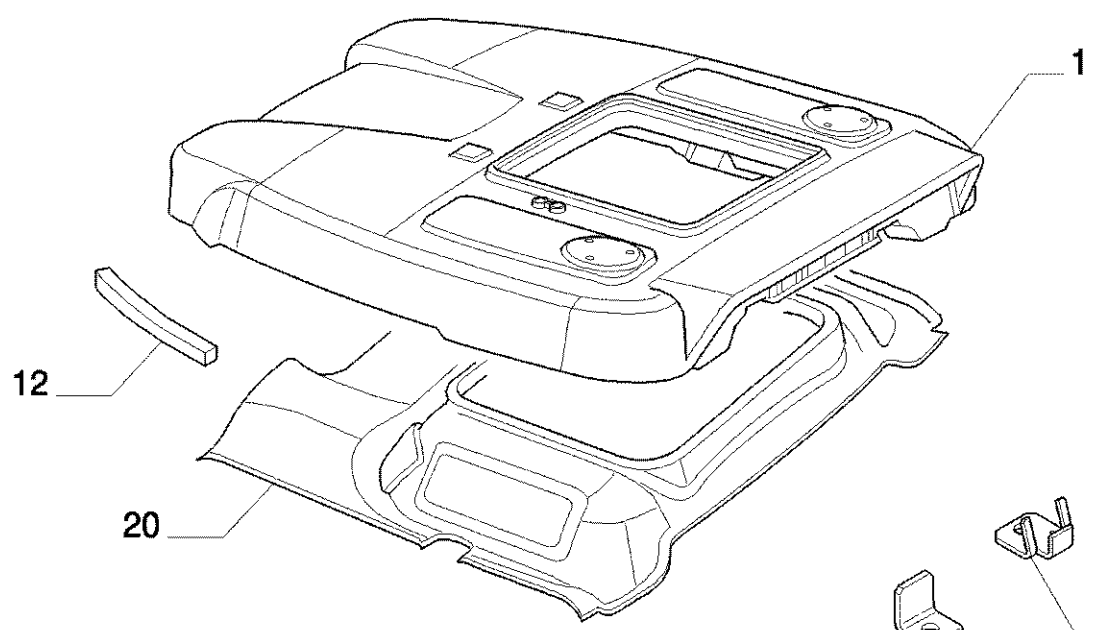
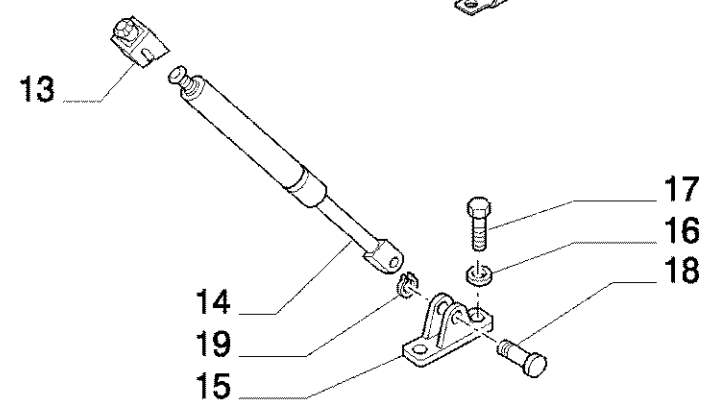
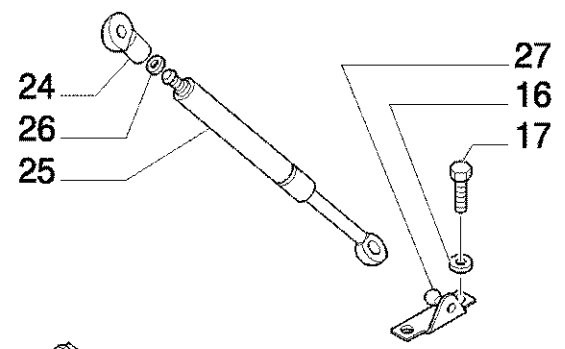
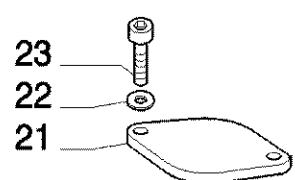
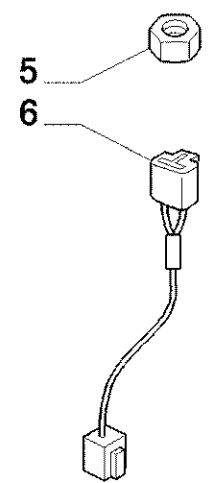
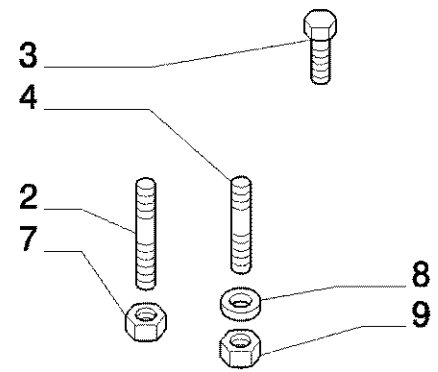
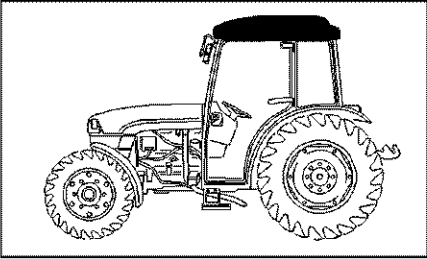
1.92.93(02) CABINE - TAPIJTEN

Ref	Onderdeelnummer	Kwt	Beschrijving
1	47135586	1	TREDE,
2	44911688	8	PLUG,
2	5128404	8	PLUG, D=13
2	5109750	2	PLUG, D=8
2	85802309	2	PLUG,
3	10397380	1	KABELDOORGANG, 12x2.5
4	44910586	2	AFSCHERMING, LH



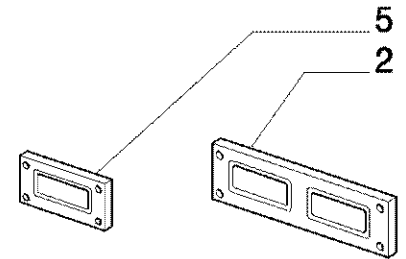
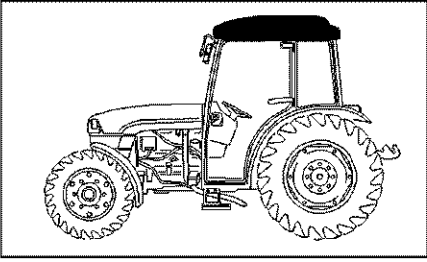
Ref	Onderdeelnummer	Kwt	Beschrijving
1	47128383	1	ACHTERUITKIJKSPIEGEL,
1	47128380	1	ACHTERUITKIJKSPIEGEL,
2	5182264	4	SLUITRING,
3	5182263	4	SCHROEF,

1.92.94(01) CABINE - DAKOPENING

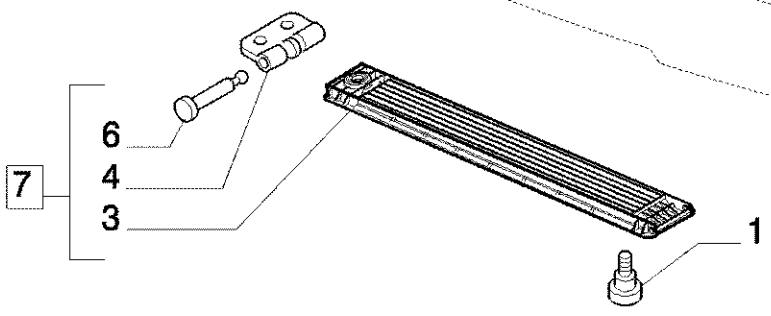


Ref	Onderdeelnummer	Kwt	Beschrijving
1	47132286	1	HARD DAK,
2	11500821	8	TAPEIND, M6x30
3	13306211	1	SCHROEF, M5x7
3	13298977	2	
4	13516921	6	TAPEIND, M8x22
5	15503611	1	NUT, LOCK, M8 x 1.25,
6	12647004	1	SLUITRING, M8 x 25 x 2.5,
7	12574215	8	NUT, LOCK, M6 x 1, CI 8,
8	12647004	6	SLUITRING, M8 x 25 x 2.5,
9	15503611	6	NUT, LOCK, M8 x 1.25,
10	44911707	4	STOPBEUGEL,
11	44911739	4	STOPBEUGEL,
12	44911656	1	DICTINGSSTUK,
13	5108539	2	BLOK, , BSN HJR045192
14	82002925	2	GAS STRUT, , BSN HJR045192
15	82003514	2	STEUNBEUGEL, , BSN HJR045192
16	10519404	4	SLUITRING, M6 x 11.95 x 1.6,
17	10902024	4	BOUT, Hex, M6 x 12, 8.8, Full Thd,
18	5108541	2	SLUITPEN, , BSN HJR045192
19	11087776	6	BORGVEER, M6, , BSN HJR045192
20	47132997	1	BEKLEDING,
21	47135744	1	DEKSEL,
22	11181474	2	WASHER, SPRING, Belleville, M4.3,
23	13272024	2	SCHROEF, Pan Hd, M4 x 12,
24	82014163	2	END, , ASN HJR045193
25	47137063	2	, ASN HJR045193
26	11087776	4	BORGVEER, M6, , ASN HJR045193
27	47136054	2	STEUNBEUGEL, , ASN HJR045193

1.92.94(02) CABINE - DAKOPENING



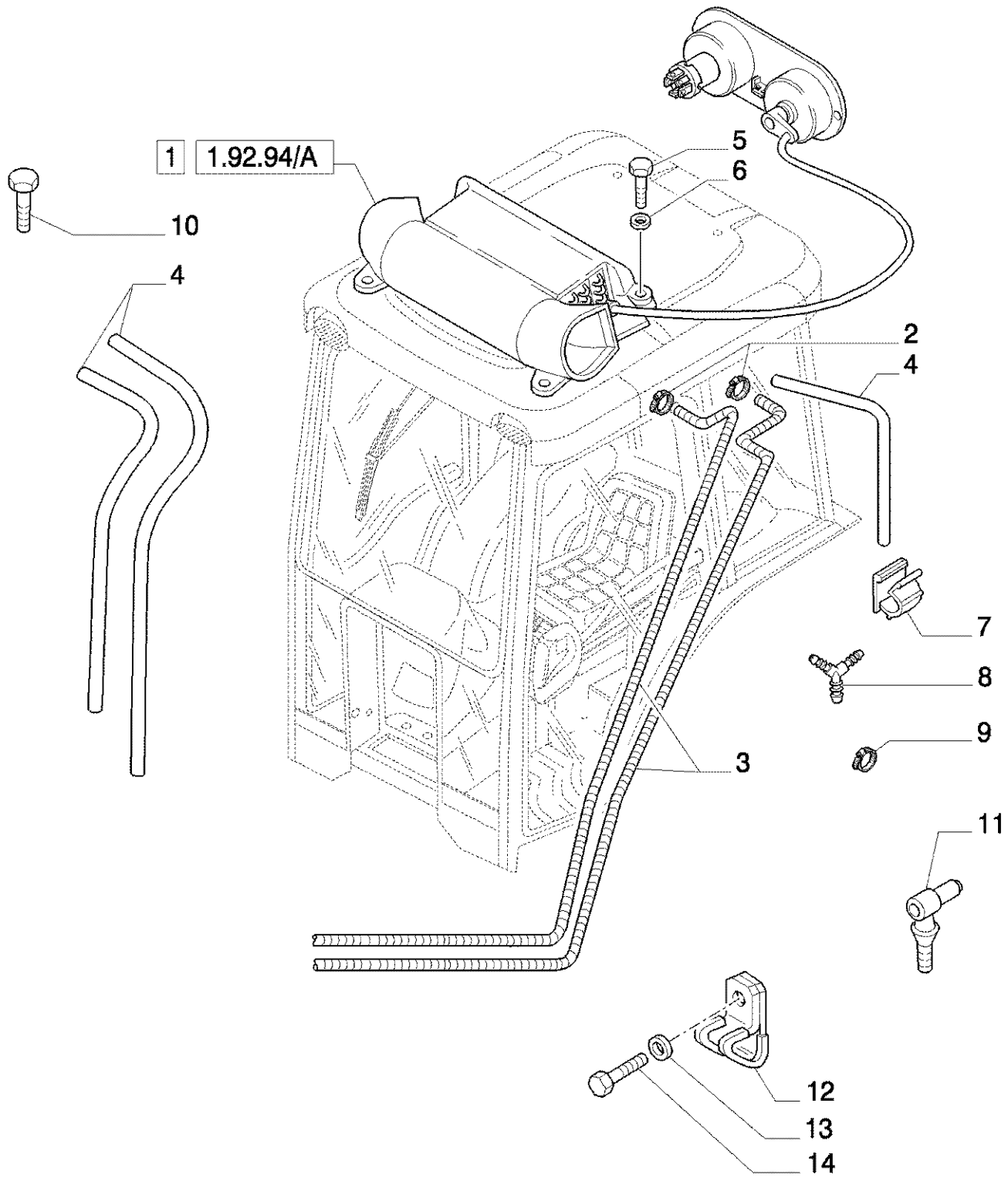
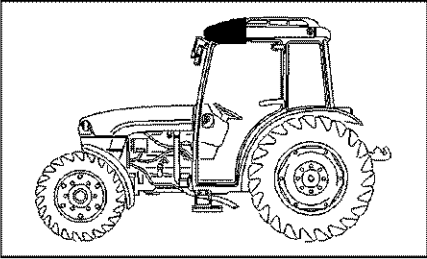
PAG.1



1.92.94(02) CABINE - DAKOPENING

Ref	Onderdeelnummer	Kwt	Beschrijving
1	47124993	1	KNOP,
2	47133392	1	SIERPLAAT,
3	47125051	2	SIERPLAAT,
4	47125050	2	SCHARNIER,
5	47133394	1	SIERPLAAT,
6	47124994	1	PEN,
7	47125104	1	ROOSTER, LH
7	47135791	1	ROOSTER, RH

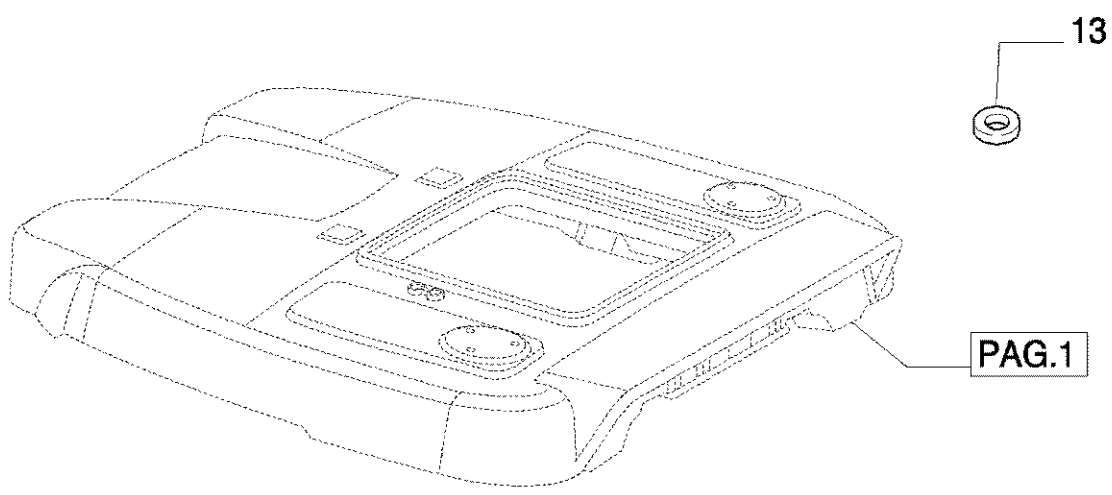
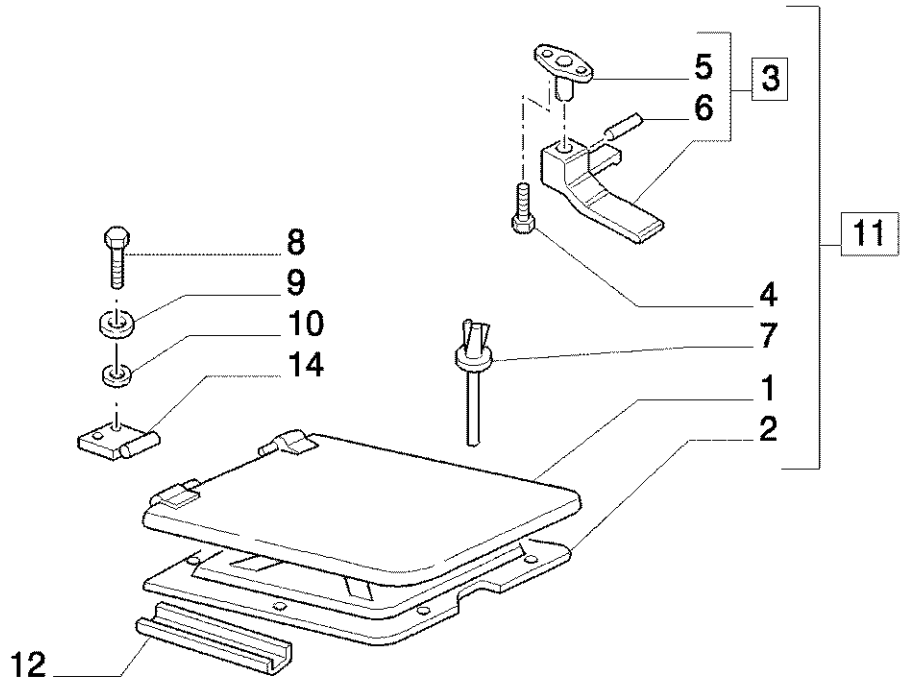
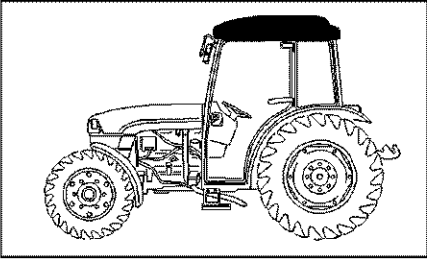
1.92.94(03) CABINE - VERWARMING



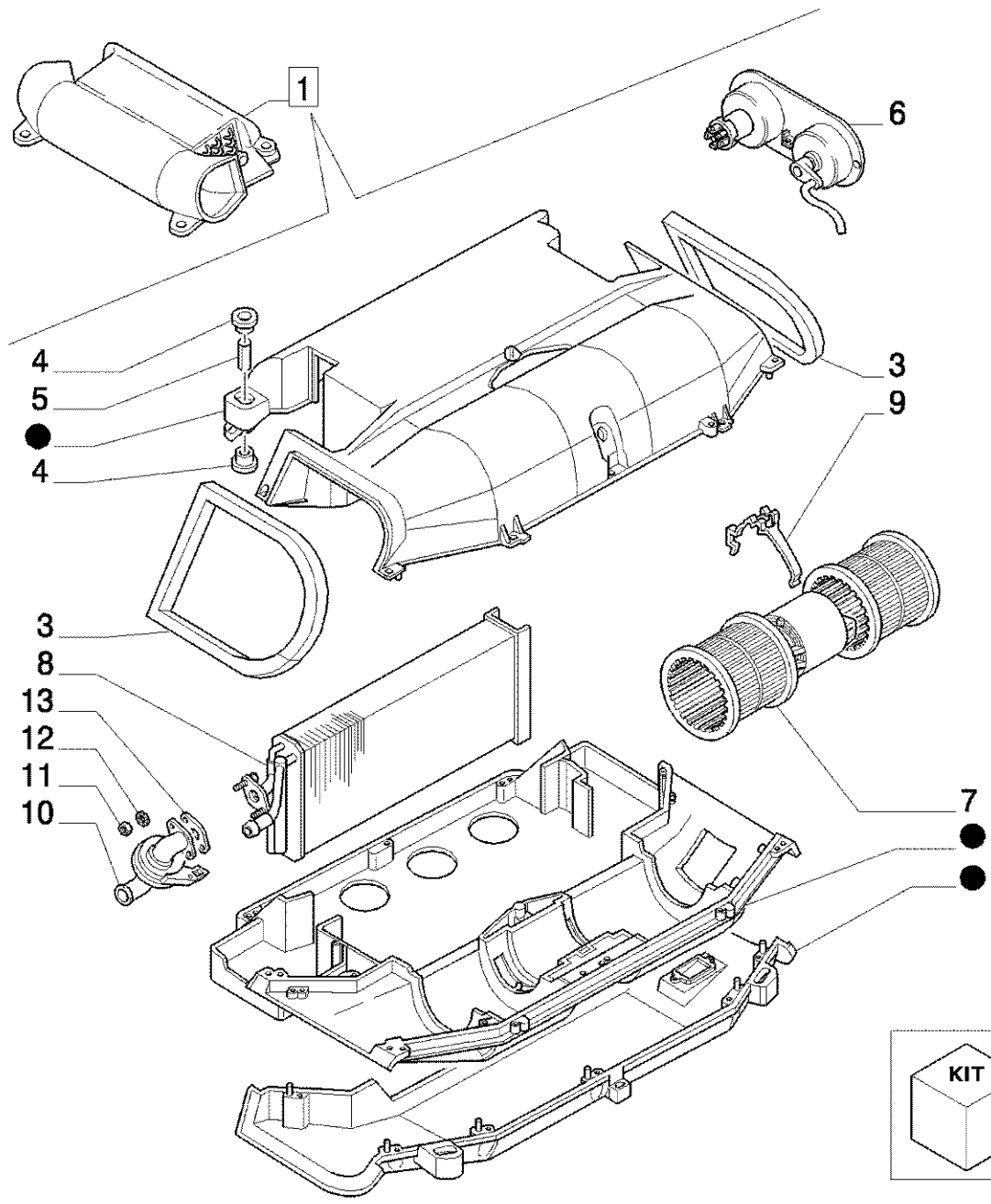
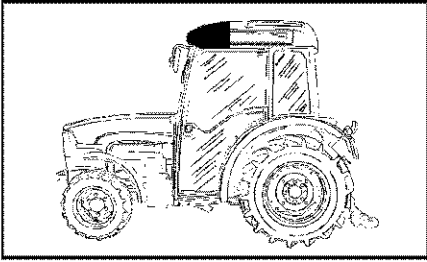
1.92.94(03) CABINE - VERWARMING

Ref	Onderdeelnummer	Kwt	Beschrijving
1	5192078	1	VERWARMER, ASSY
2	13000390	4	SLANGKLEM, D=16-25
3	5196755	MT	FLEXIBELE SLANG, RETURN, L=2640
3	5196756	MT	FLEXIBELE SLANG, L=3070 FEED
4	19053382	MT	FLEXIBELE SLANG,
5	16044024	2	BOUT, Hex, M8 x 40, 8.8,
6	12644404	2	SLUITRING, M6 x 15 x 1,
6	13578311	2	SLUITRING, D=8
7	5182865	AR	KLEM,
8	5186511	1	VERBINDING, DRAIN
9	10187090	2	SLANGKLEM, D=16-18
9	10186890	1	SLANGKLEM, M14-16, Worm,
10	13278214	10	SCHROEF, M6x18
10	18770114	4	SCHROEF, M6x16
11	15152011	10	KOGELPEN,
12	5185406	1	SPANKRAAG,
13	11190574	1	WASHER, SPRING, Belleville, M10.5,
14	15970724	1	BOUT, Hex, M10 x 1.25 x 25, 8.8, Full Thd,

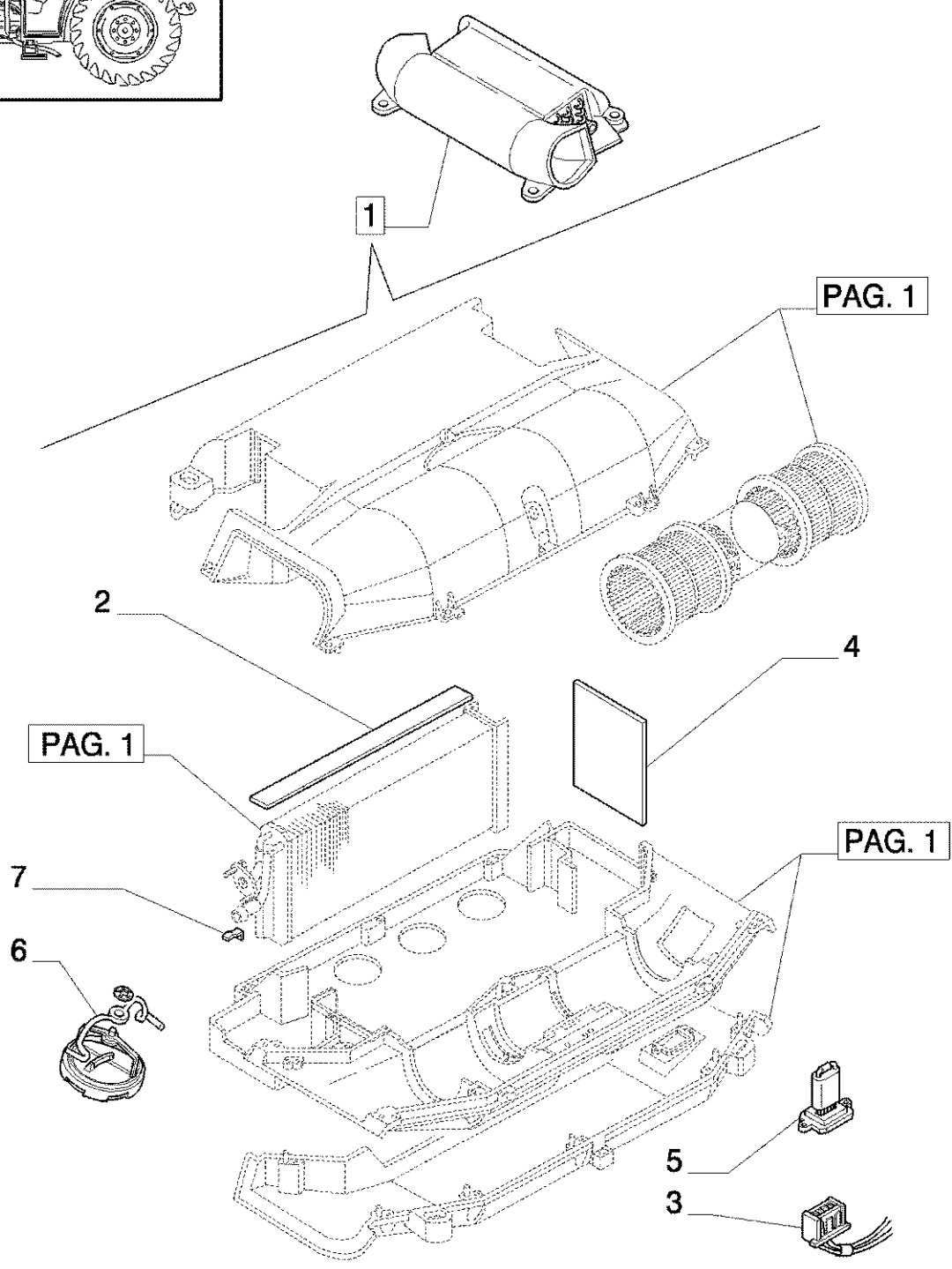
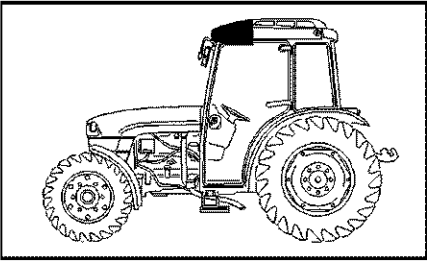
1.92.94(04) CABINE - DAKOPENING



Ref	Onderdeelnummer	Kwt	Beschrijving
1	47133237	1	DEKSEL,
2	47132998	1	BEKLEDING,
3	5178614	1	HENDEL, INCL. REF. 5, 6
4	13299414	2	SCHROEF, Pan Hd, M5 x 16, 5.8,
5	5178206	1	PEN,
6	14159970	1	SLUITPEN, M2.5 x 20, Slotted,
7	5162852	6	KNOP,
8	10979424	4	BOUT, Hex, M6 x 10, 8.8, Full Thd,
9	10519404	4	SLUITRING, M6 x 11.95 x 1.6,
10	5177577	4	SLUITRING,
11	47133185	1	MANGAT, ASSY, INCL. REF. 1, 2, 3, 4, 7
12	47133187	1	DICHTINGSSTUK, L=2280
13	5178211	6	SLUITRING, D=8
13	5178210	6	SLUITRING, D=7
14	82003411	2	VERSTERKING,

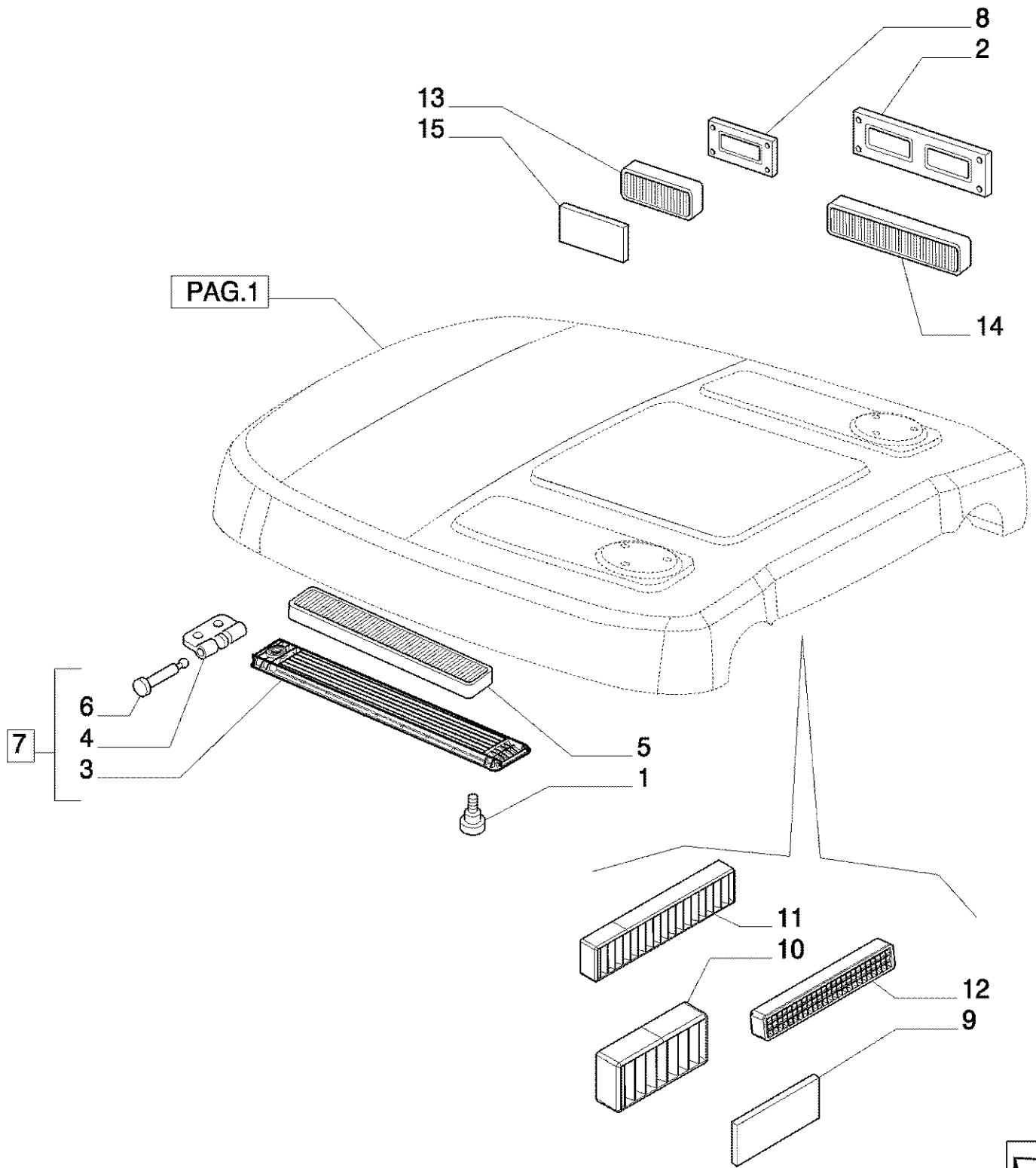
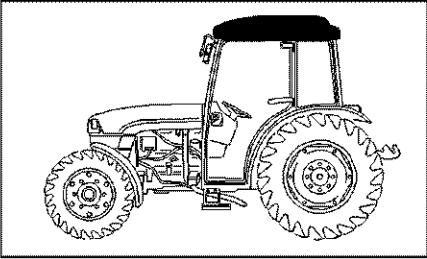


Ref	Onderdeelnummer	Kwt	Beschrijving
1	5192078	1	VERWARMER,
2	9972155	1	KIT,
3	5192095	2	DICHTINGSSTUK,
4	5192101	8	DICHTINGSSTUK,
5	5192100	4	AFSTANDSRING,
6	9971789	1	BEDIENING,
7	5192103	1	ELECTRO-VENTILATOR,
8	5192106	1	RADIATORKOELER,
9	5192102	1	VEER,
10	82008282	1	KLEP,
11	9959162	2	MOER, M6
12	9971563	2	VEERRING,
13	9966192	1	DICHTINGSSTUK,

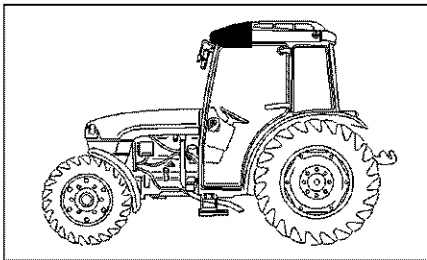


1.92.94/ A(02) CABINE - VERWARMING - COMPONENTEN

Ref	Onderdeelnummer	Kwt	Beschrijving
1	5192078	1	VERWARMER,
2	5192104	1	DICHTINGSSTUK,
3	5192105	1	ELECTRISCHE KABEL,
4	5192094	1	TUSSENSTUK,
5	5192096	1	WEERSTAND,
6	5192098	4	AFVOERBUIS, M6
7	5192097	1	VEER,



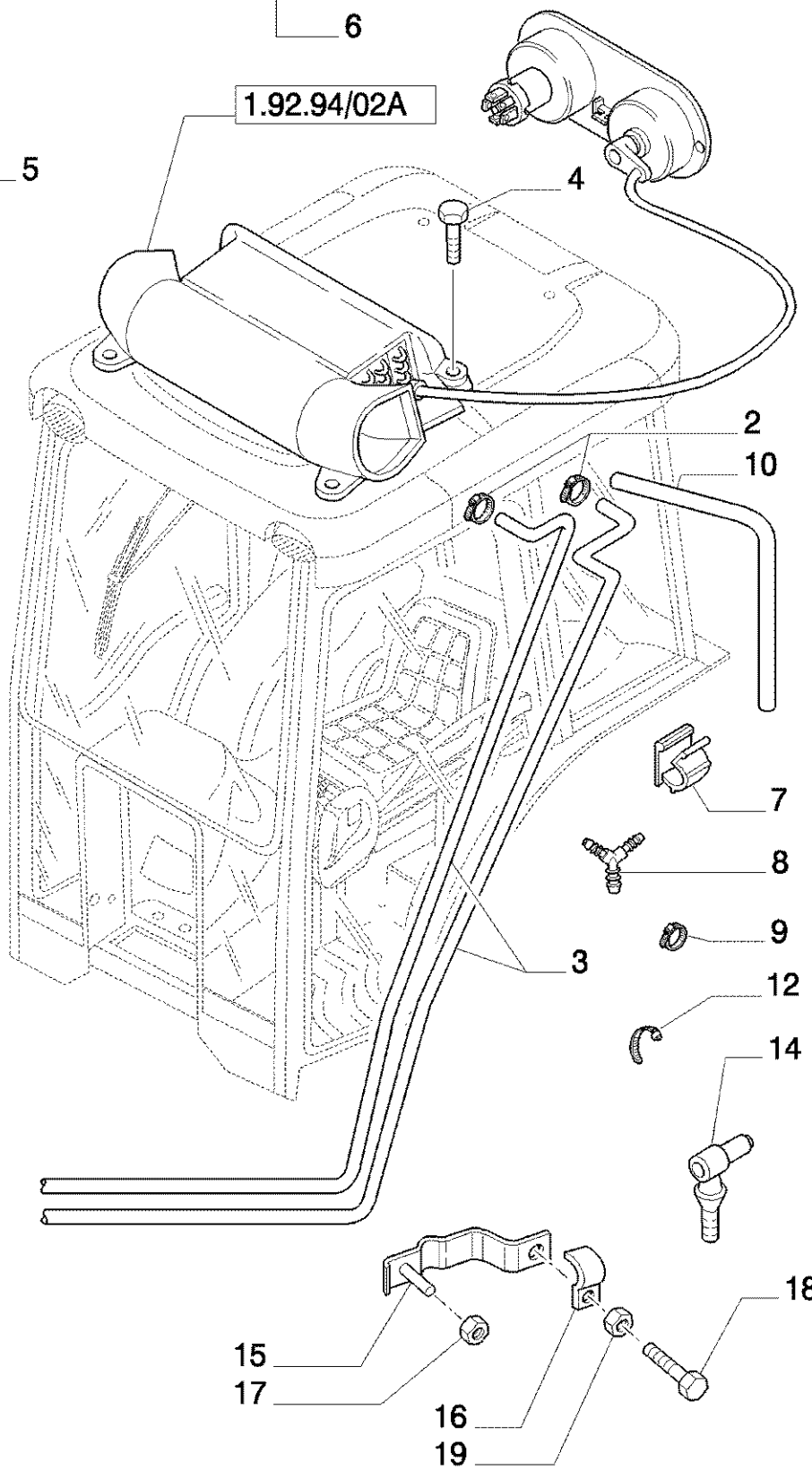
Ref	Onderdeelnummer	Kwt	Beschrijving
1	47124993	1	KNOP,
2	47133392	1	SIERPLAAT, VAR.608
2	47133388	1	SIERPLAAT, VAR.577
3	47125051	2	SIERPLAAT,
4	47125050	2	SCHARNIER,
5	47135040	2	FILTER, CABINE, VAR.608, STD, Outer
5	47135043	2	FILTER, CABINE, VAR.577, Anti-pollen filter(outer)
6	47124994	1	PEN,
7	47125104	1	ROOSTER, LH
7	47135791	1	ROOSTER, RH
8	47133394	1	SIERPLAAT, VAR.608
8	47133390	1	SIERPLAAT, VAR.577
9	47131888	2	FILTER, CABINE, VAR.645
10	47135052	1	FILTER, CABINE, VAR.645, Activated carbon filter(inner)
11	47135058	1	FILTER, CABINE, VAR.645, Activated carbon filter(inner)
12	47135046	2	FILTER, CABINE, VAR.645, Activated carbon filter(outer)
13	47135049	1	FILTER, CABINE, VAR.577, Anti-pollen filter(inner)
14	47135055	1	FILTER, CABINE, VAR.577, Anti-pollen filter(inner)
15	47131888	2	FILTER, CABINE, VAR.577



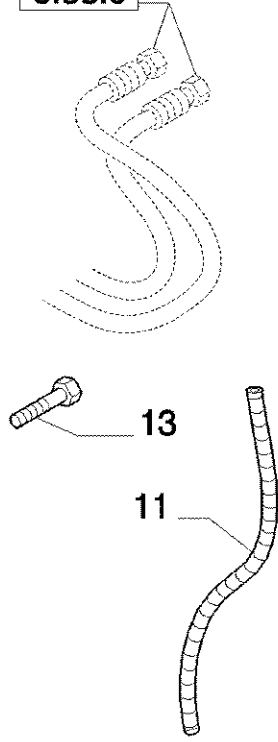
6

1.92.94/02A

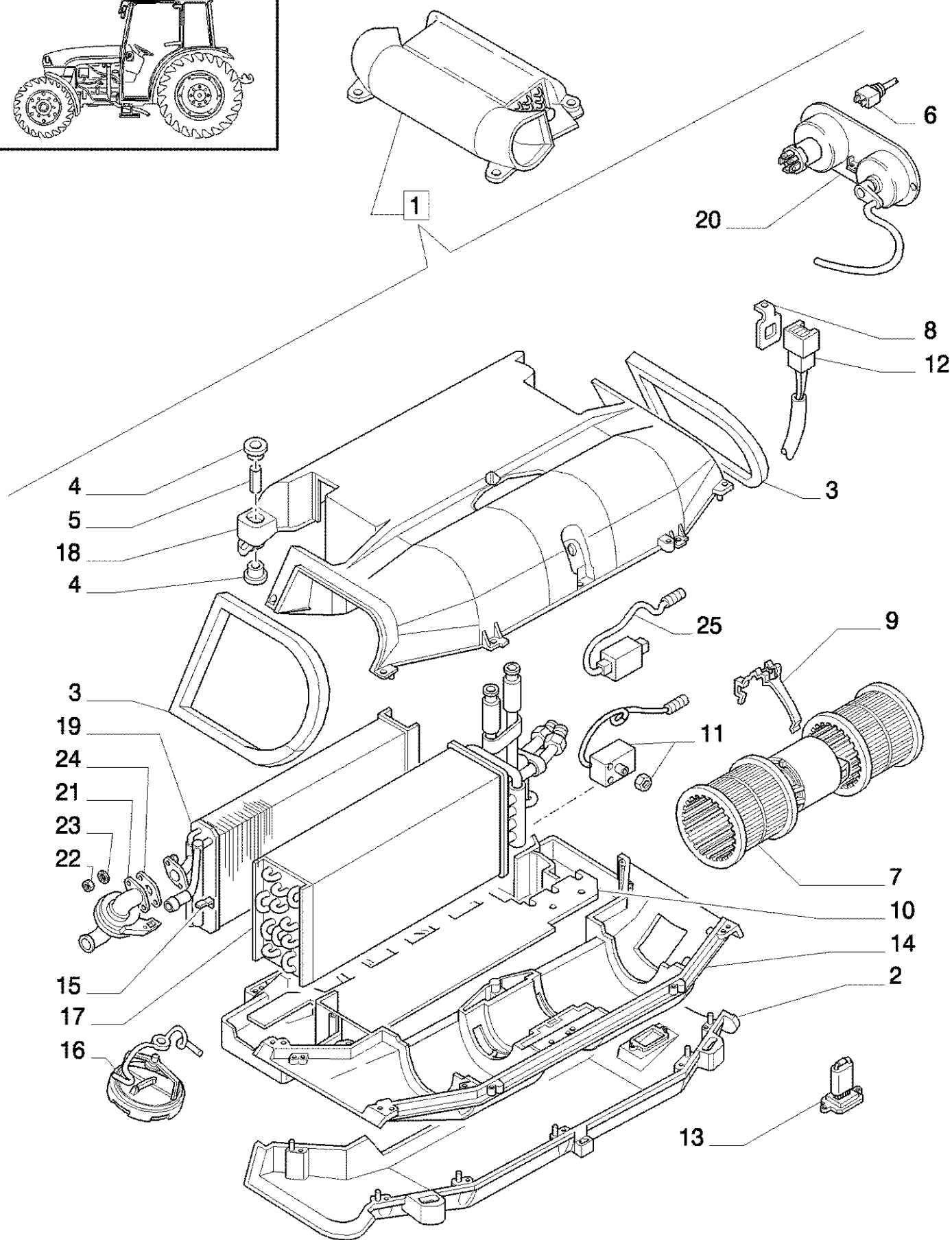
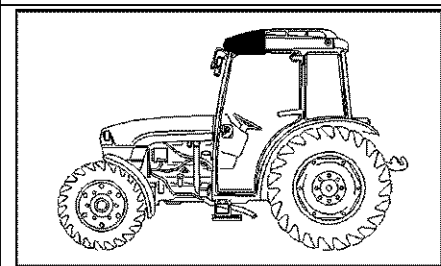
WARNING
AIR CONDITIONING SYSTEM
FLUID UNDER HIGH PRESSURE
DO NOT DISCONNECT ANY LINES
SERVICE REPAIR OR RECHARGING MUST BE PERFORMED ONLY BY A TRAINED SERVICE TECHNICIAN
REFRIGERANT: R134 a
CHARGE: 1.75 lbs (0.8 Kg)



0.88.0

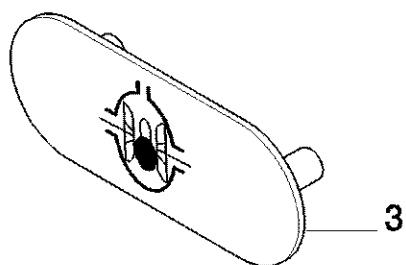
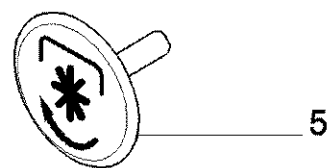
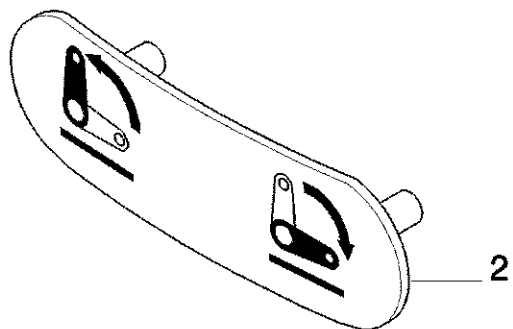
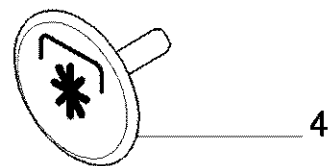
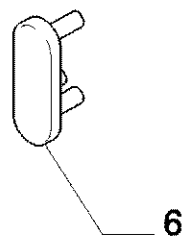
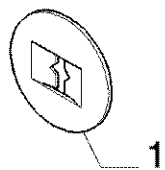
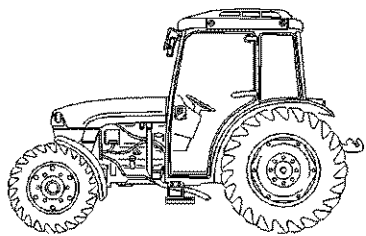


Ref	Onderdeelnummer	Kwt	Beschrijving
1	47128550	1	LUCHTKOELER, VAR.608
1	47125122	1	LUCHTKOELER, VAR.577
2	13000390	4	SLANGKLEM, D=16-25
3	5196755	MT	FLEXIBELE SLANG, RETURN
4	16043924	4	BOUT, Hex, M8 x 35, 8.8, Full Thd,
5	5179868	1	DECAL, ENGLISH
5	5183011	1	IDENTIFIKATIEPLAATJE, FRENCH
5	5183012	1	IDENTIFIKATIEPLAATJE, GERMAN
5	5183014	1	IDENTIFIKATIEPLAATJE, ITALIAN
5	5183025	1	IDENTIFIKATIEPLAATJE, DUTCH
5	5183023	1	IDENTIFIKATIEPLAATJE, SPANISH
5	5183024	1	IDENTIFIKATIEPLAATJE, PORTUGUESE
6	83946774	1	DECAL, WARNING
7	5182865	AR	KLEM,
8	5186511	1	VERBINDING, DRAIN
9	10187090	2	SLANGKLEM, D=16-18
9	10186890	1	SLANGKLEM, M14-16, Worm,
10	19053382	1	FLEXIBELE SLANG,
10	19053382	2	FLEXIBELE SLANG, L=1560
10	19053382	4	FLEXIBELE SLANG, L=365
11	5186461	1	FLEXIBELE SLANG, L=300
12	14560287	2	STRAP, CABLE, L=289mm
13	13278214	10	SCHROEF, M6x18
13	18770114	4	SCHROEF, M6x16
14	15152011	6	KOGELPEN,
15	87390977	1	STEUNBEUGEL, , D5442-
16	44908518	1	, D5442-
17	12574217	1	, D5442-
18	10902014	1	, D5442-
19	11197774	1	WASHER, SPRING, Belleville, M6.4, , D5442-



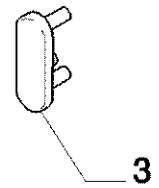
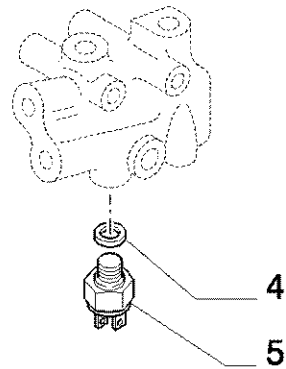
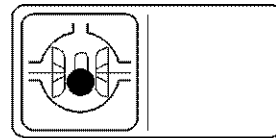
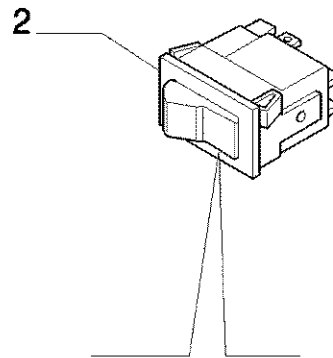
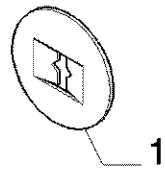
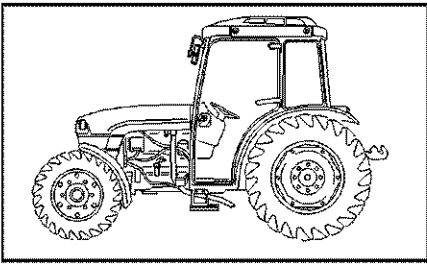
Ref	Onderdeelnummer	Kwt	Beschrijving
1	47128550	1	LUCHTKOELER, ASSY
2	5192107	1	DEKSEL,
3	5192095	2	DICHTINGSSTUK, , BSN HJH064218
3	47132094	1	DICHTINGSSTUK, , ASN HJH064219
4	5192101	8	DICHTINGSSTUK,
5	5192100	4	AFSTANDSRING,
6	47132038	1	POTENTIOMETER,
7	5192103	1	ELECTRO-VENTILATOR,
8	5192115	1	STEUNBEUGEL,
9	5192102	1	VEER,
10	5192116	1	TROG,
11	47131282	1	THERMOSTAAT, , BSN HJH064218
12	47131278	1	ELECTRISCHE KABEL,
13	5192096	1	WEERSTAND, ASSY
14	5192118	1	KAST,
15	5192097	1	VEER,
16	5192098	4	AFVOERBUIS,
17	5192420	1	VERDAMPER,
18	5192119	1	KAST,
19	5192106	1	RADIATORKOELER,
20	47131174	1	BEDIENING, ASSY
21	82008282	1	KLEP,
22	9959162	2	MOER, M6
23	9971563	2	VEERRING,
24	9966192	1	DICHTINGSSTUK,
25	87377466	1	THERMOSTAAT, , ASN HJH064219

1.92.98 PLAATJES



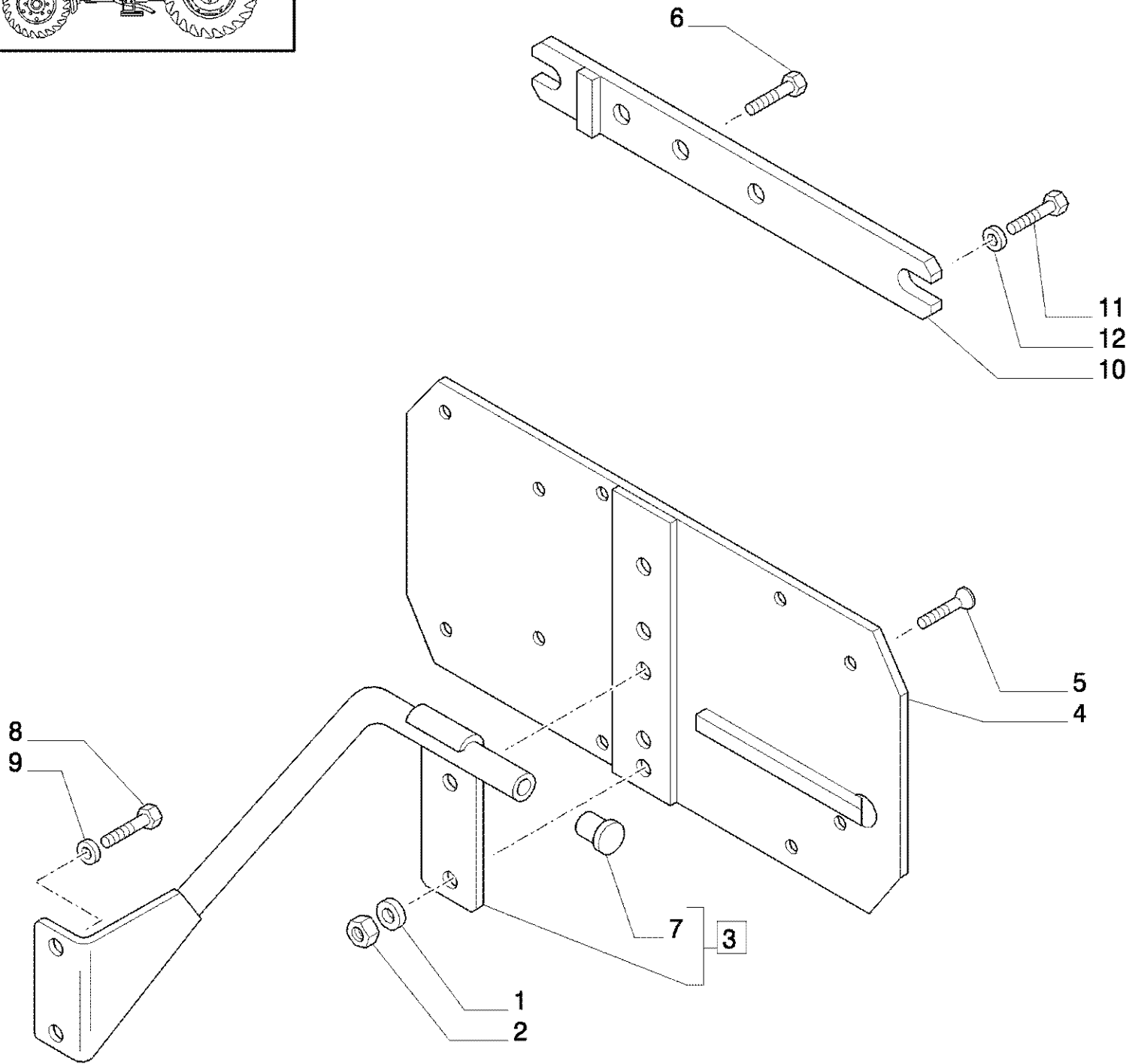
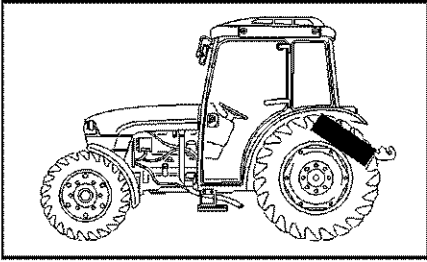
1.92.98 PLAATJES

Ref	Onderdeelnummer	Kwt	Beschrijving
1	14228074	AR	MOER, M5, Push,
1	14227474	2	MOER, M3, Push,
2	5175274	1	SYMBOLLEN,
3	5179330	1	IDENTIFIKATIEPLAATJE,
4	5175126	1	IDENTIFIKATIEPLAATJE,
5	5175127	1	IDENTIFIKATIEPLAATJE,
6	5153948	1	IDENTIFIKATIEPLAATJE, VAR. 323-323/1



Ref	Onderdeelnummer	Kwt	Beschrijving
1	14228074	AR	MOER, M5, Push,
1	14227474	2	MOER, M3, Push,
2	47056832	2	SCHAKELAAR,
3	5153948	1	IDENTIFIKATIEPLAATJE,
4	4858607	1	WASHER, COPPER,
5	87395493	1	DRUKSCHAKELAAR, Oil Pressure, Hydr. DT, Indicates oil missing in DT control pipe

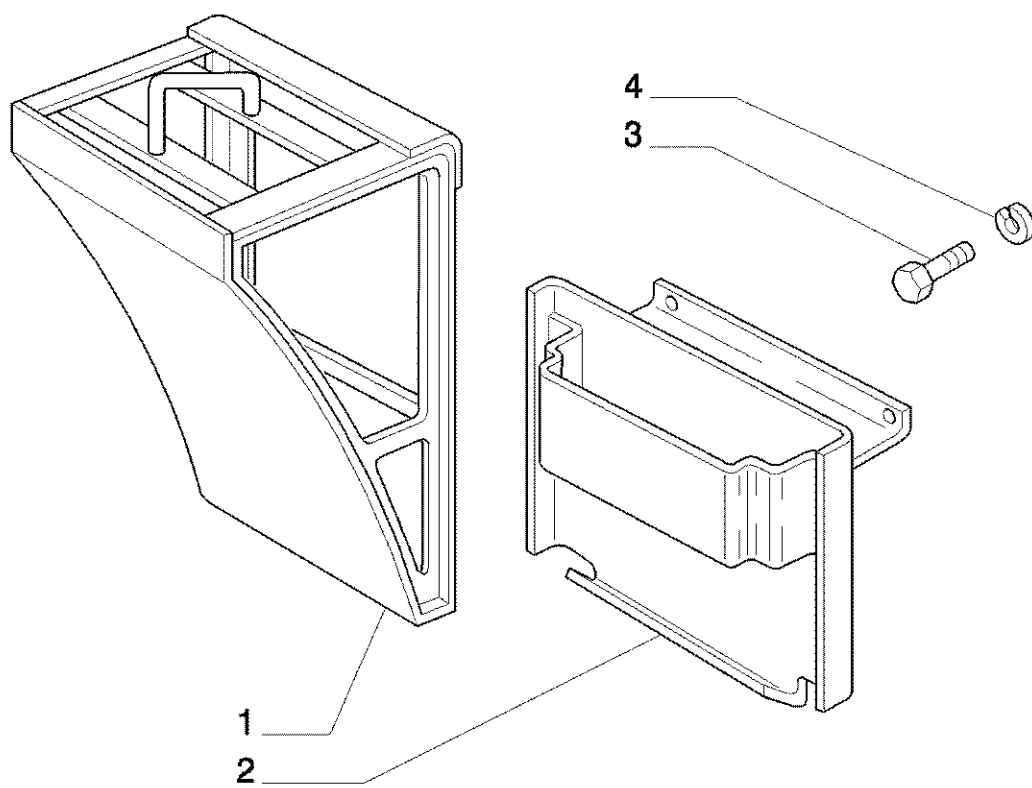
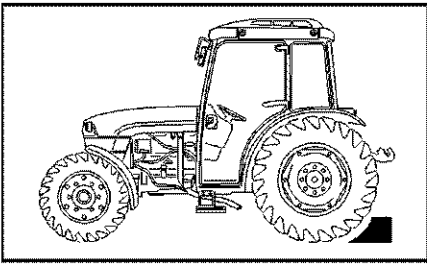
1.92.99 (VAR.965) SUPPORT KENTEKENPLAAT



1.92.99 (VAR.965) SUPPORT KENTEKENPLAAT

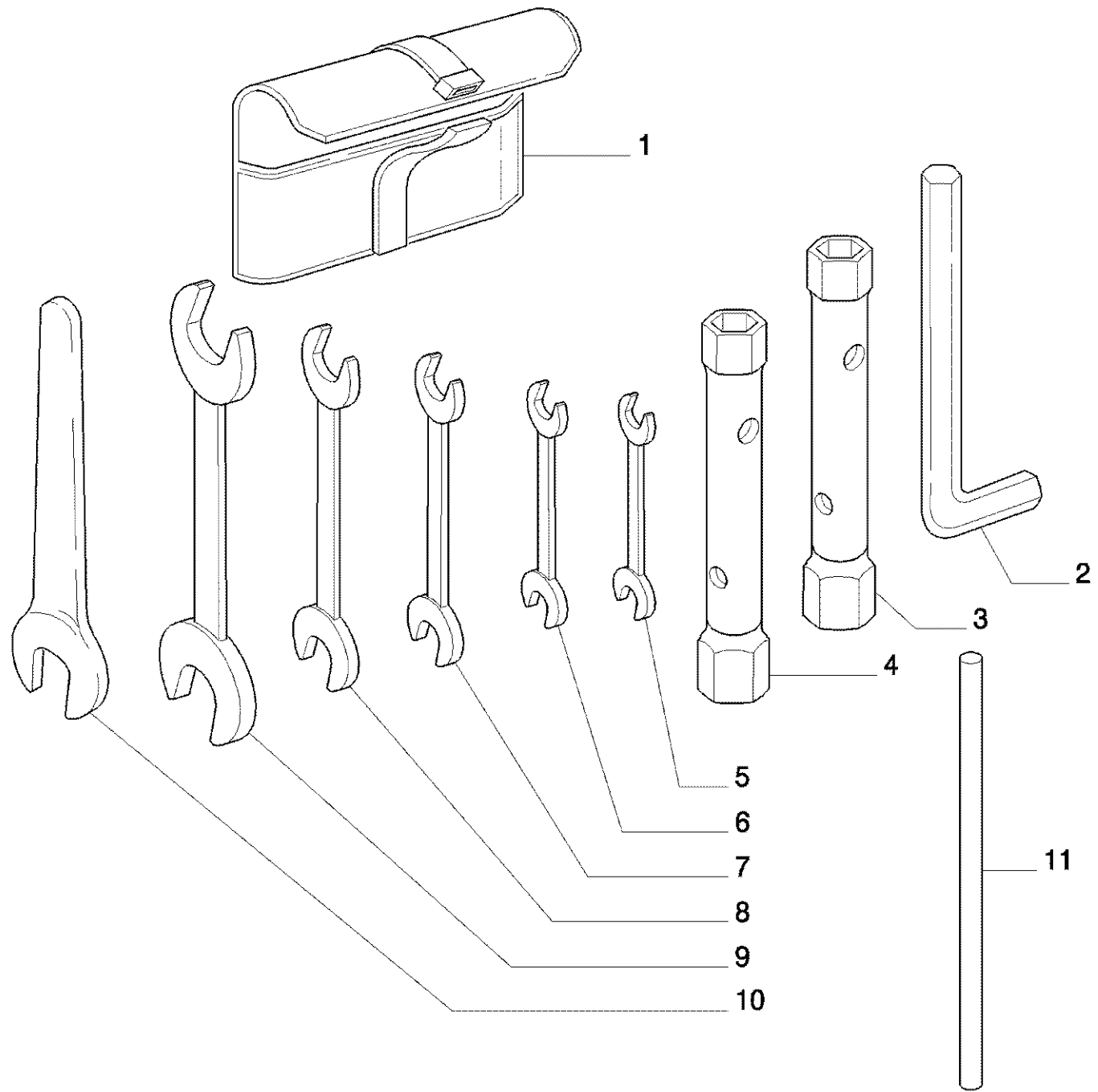
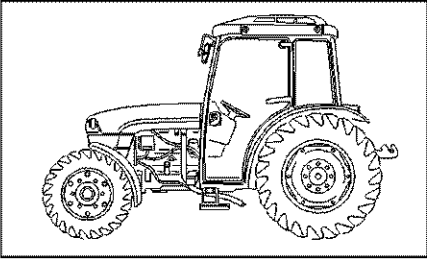
Ref	Onderdeelnummer	Kwt	Beschrijving
1	14447021	2	SLUITRING, M5 x 15 x 1,
2	12574215	1	NUT, LOCK, M6 x 1, CI 8,
3	47133036	1	STEUN,
4	47133045	1	PLAAT,
5	14441421	2	SCHROEF, Hex Soc Flat Hd, M6 x 20, 8.8,
6	16043834	2	BOUT, Hex, M8 x 30, 10.9, Full Thd,
7	5176369	1	PLUG,
8	16043430	2	BOUT, Hex, M8 x 20, 10.9,
9	11198179	2	WASHER, SPRING, Belleville, M8.4,
10	47133034	1	STEUNBEUGEL, LH
12	11194274	1	WASHER, SPRING, Belleville, M17, D=16
11	15980524	1	BOUT, Hex, M16 x 1.5 x 30, 8.8, Full Thd, M16x30

1.92.991 (VAR.864) REMSCHOEN



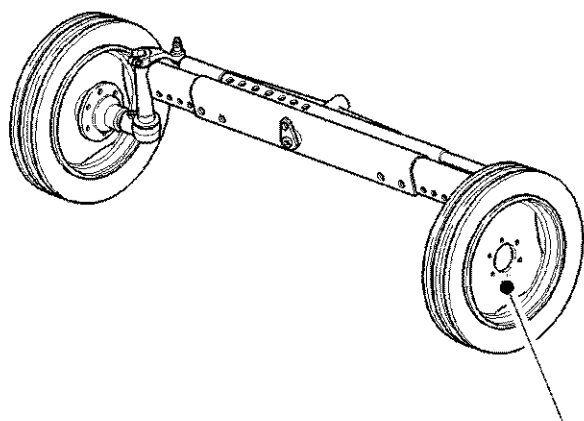
1.92.991 (VAR.864) REMSCHOEN

Ref	Onderdeelnummer	Kwt	Beschrijving
1	5112736	1	REMSCHOEN,
2	5184417	1	STEUN, M6x1
3	15970724	2	BOUT, Hex, M10 x 1.25 x 25, 8.8, Full Thd,
4	11190574	2	WASHER, SPRING, Belleville, M10.5,

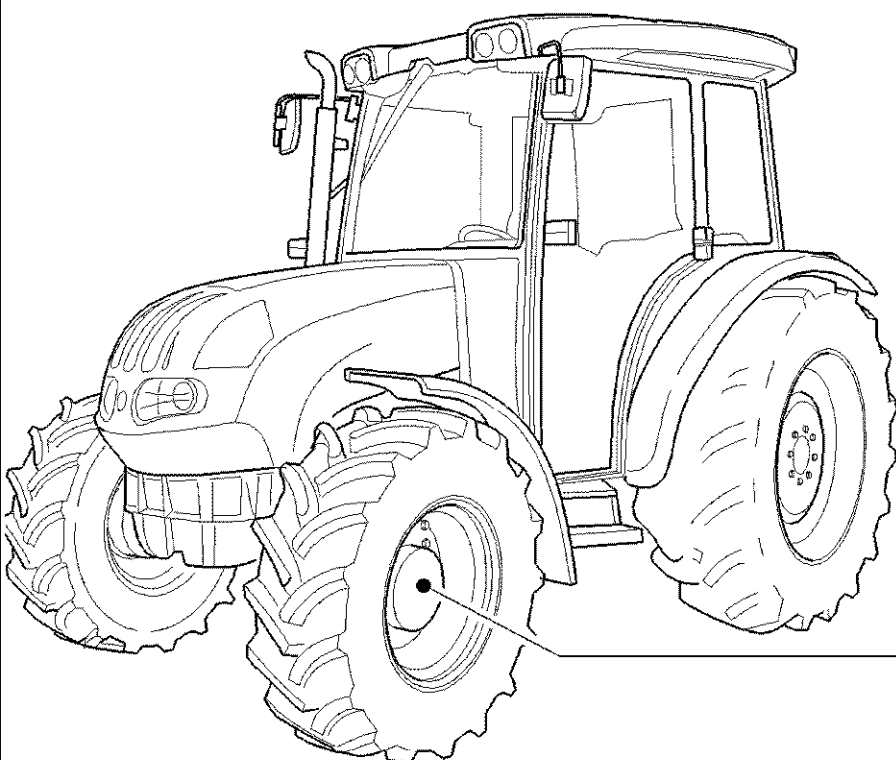


1.99.0 (VAR.996) WERKTUIGEN

Ref	Onderdeelnummer	Kwt	Beschrijving
1	4960158	1	GEREEDSCHAPSTAS,
2	5121429	1	WRENCH, SPECIAL, MM.12
3	5121423	1	SOCKET WRENCH, MM.24/MM.27
4	5121422	1	SOCKET WRENCH, MM22/MM.24
5	5121417	1	WRENCH, OPEN END, MM.6x7
6	5121418	1	WRENCH, OPEN END, MM.10x13
7	5121419	1	WRENCH, OPEN END, MM.11x14
8	5121420	1	WRENCH, OPEN END, MM.17x19
9	5121421	1	WRENCH, OPEN END, MM.22x24
10	5121426	1	WRENCH, OPEN END, MM.27
11	5121440	1	PEN,

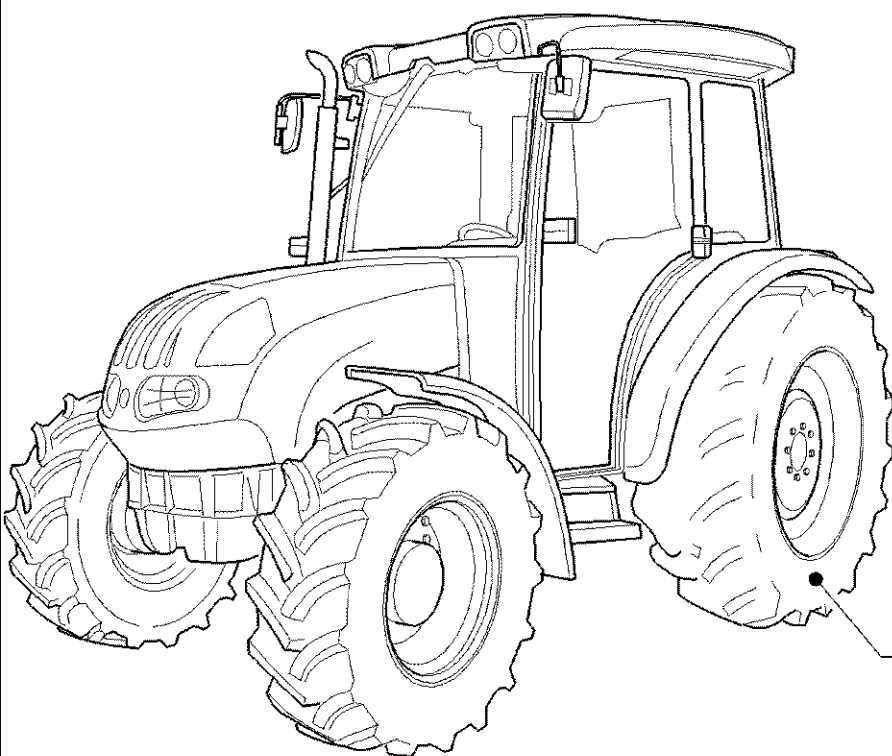


GROUP	EQUIP	TIRE SIZE	RIM
81.00	81.09	6.00 - 16 8PR F2	4.50EX16
	81.10	6.50-16 8PR F2	4.50EX16
	81.11	7.50 - 16 8PR F2	5.50FX16
	81.42	25/1050LL X 15	W8X15



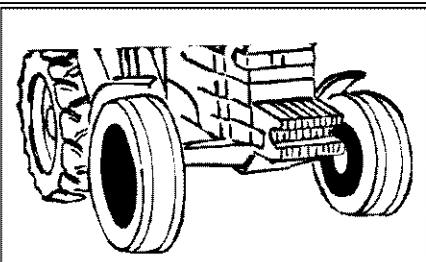
GROUP	EQUIP	TIRE SIZE	RIM
82.00	82.03	12.4 R20 A8	W11X20
	82.23	11.2 R20 A8	W9X20
	82.30	8.3/24 8PR	W8X24
	82.32	11.2 R24 A8	W10X24
	88.17	335/80 R18 A8	9X18
	88.19	340/75 R20 A8	W11X20
	88.20	14.9L R20 A8	W11X20
	88.21	380/70 R20 A8	W11X20
	88.23	375/75 R20XA8	W11X20
	88.24	405/70 R20 A8	W11X20
	88.26	300/70 R20 A8	W9X20
	88.27	320/70 R20 A8	W9X20
	88.29	360/70 R20 A8	W11X20
	88.31	300/70 R24 A8	W10X24

Ref	Onderdeelnummer	Kwt	Beschrijving

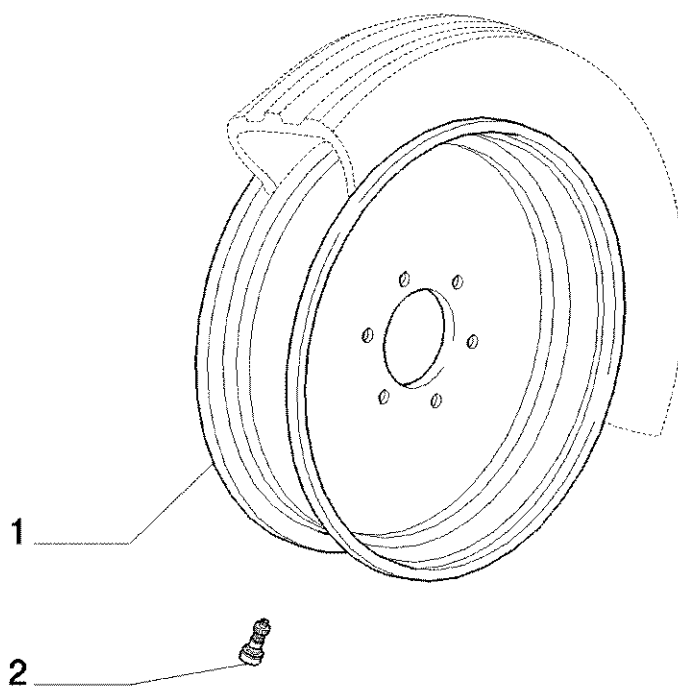


GROUP	EQUIP	TIRE SIZE	RIM
83.00	83.50	13.6 R28 A8	W12X28
	83.51	14.9 R28 A8	W13X28
	83.52	16.9 R28 A8	W15LX28
	83.54	14.9 R30 A8	DWW13X30
	83.55	16.9 R30 A8	DWW14LX30
	83.60	12.4 R32 A8	W11X32
	83.69	12.4 R36 A8	W11X36
	89.13	480/70 R28 A8	W15LX28
	89.15	480/65 R28 A8	W15LX28
	89.30	16.9 R30 A8	DWW15X30
	89.50	380/70 R28 A8	W12X28
	89.51	420/70 R28 A8	W13X28
	89.54	480/70 R30 A8	DWW15X30
	89.55	420/70 R30 A8	DWW13X30
	89.57	540/65 R30 A8	DWW15X30
	89.68	540/65 R28 A8	W15LX28

Ref	Onderdeelnummer	Kwt	Beschrijving



EQUIP	TIRE SIZE	RIM
81.09	6.00 - 16 8PR F2	4.50E X 16
81.10	6.50 - 16 8PR F2	4.50E X 16
81.11	7.50 - 16 8PR F2	5.50F X 16
81.42	25/1050 LL X 15	W8 X 15

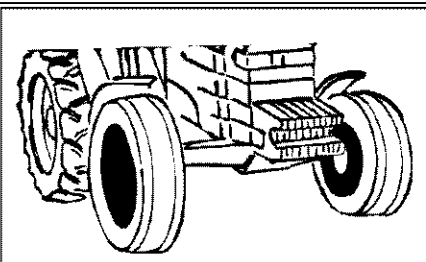


360 KOMPAKT TRACTOR (4/03-) - Wielen/Rupsbanden

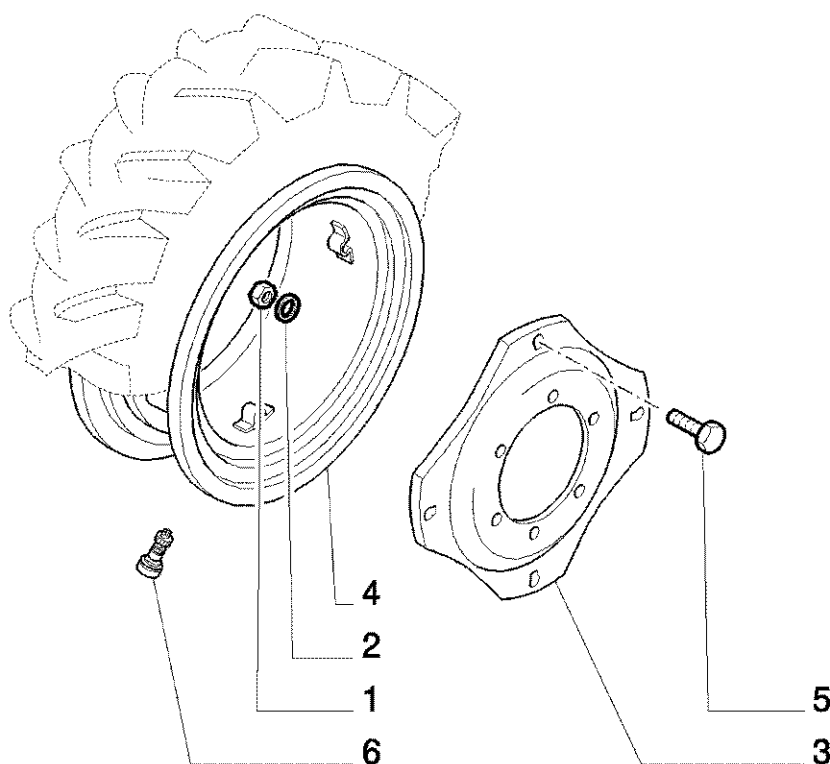
81.00 STUURWIELEN - 2WD

Ref	Onderdeelnummer	Kwt	Beschrijving
1	47130925	2	WIELVEL, W8x15
1	47130898	2	WIELVEL, 4.50Ex16
1	47130905	2	WIELVEL, 5.50Fx16
2	85700224	2	VALVE STEM,

EQUIP.81.09 FOR 360 KOMPAKT ONLY



EQUIP	TIRE SIZE	RIM
82.03	12.4 R20 A8	W11X20
82.23	11.2 R20 A8	W9X20
88.19	340/75 R20 A8	W11X20
88.20	14.9L R20 A8	W11X20
88.21	380/70 R20 A8	W11X20
88.23	375/75 R20XA8	W11X20
88.24	405/70 R20 A8	W11X20
88.26	300/70 R20 A8	W9X20
88.27	320/70 R20 A8	W9X20
88.29	360/70 R20 A8	W11X20

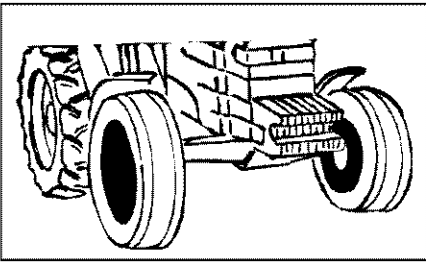


360 KOMPAKT TRACTOR (4/03-) - Wielen/Rupsbanden

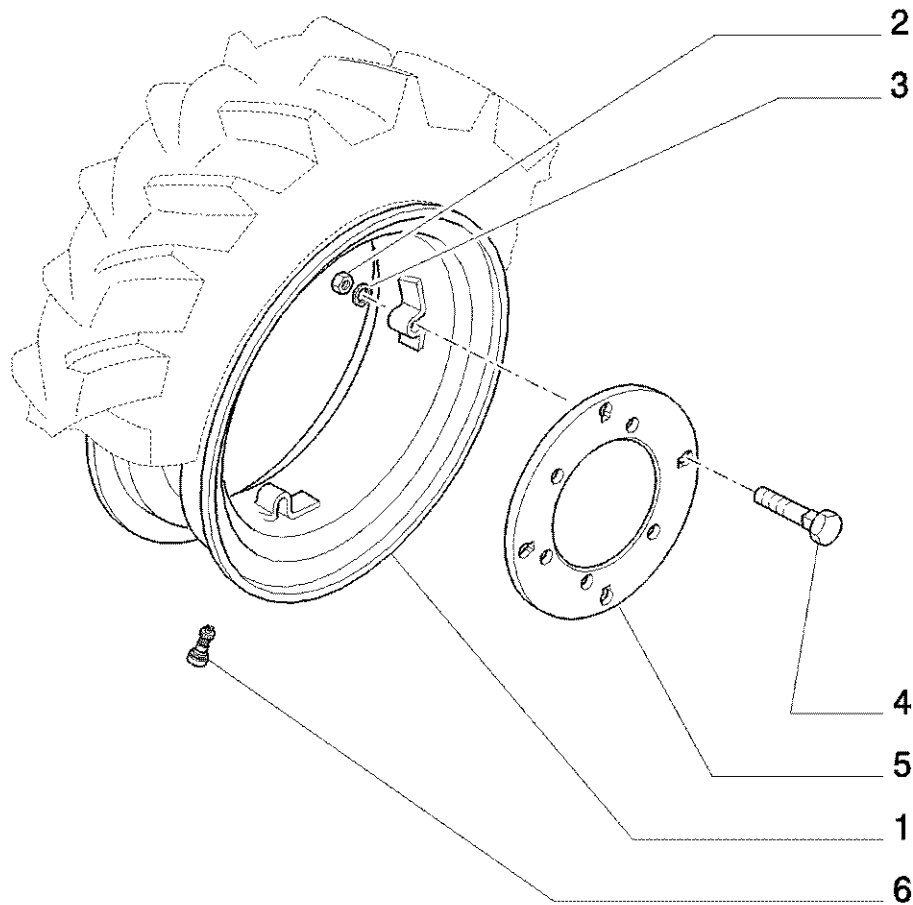
82.00(01) AANDRIJVENDE STUURWIELEN - 4WD

Ref	Onderdeelnummer	Kwt	Beschrijving
1	10790524	10	MOER, M16 x 1.5,
2	5164709	10	SLUITRING, M16.6 x 33 x 6
3	47130958	2	VIELNAAF,
4	47130965	2	WIELVEL, W9x20
4	47130972	2	WIELVEL, W11x20
5	5112385	10	BOLT, SPECIAL, Wheel, M16 x 1.5 x 78.5,
6	85700224	2	VALVE STEM,

EQUIP. (88.20-88.21-88.24) FOR 370, 375 ONLY EQUIP. 88.26 FOR 360, 375 ONLY EQUIP. 82.03 FOR 360 ONLY



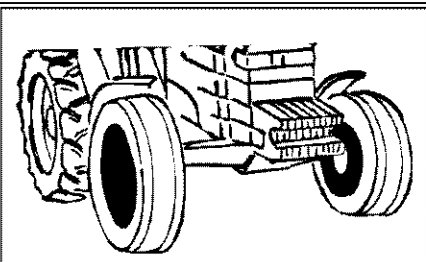
EQUIP	TIRE SIZE	RIM
88.17	335/80 R18 A8	9X18



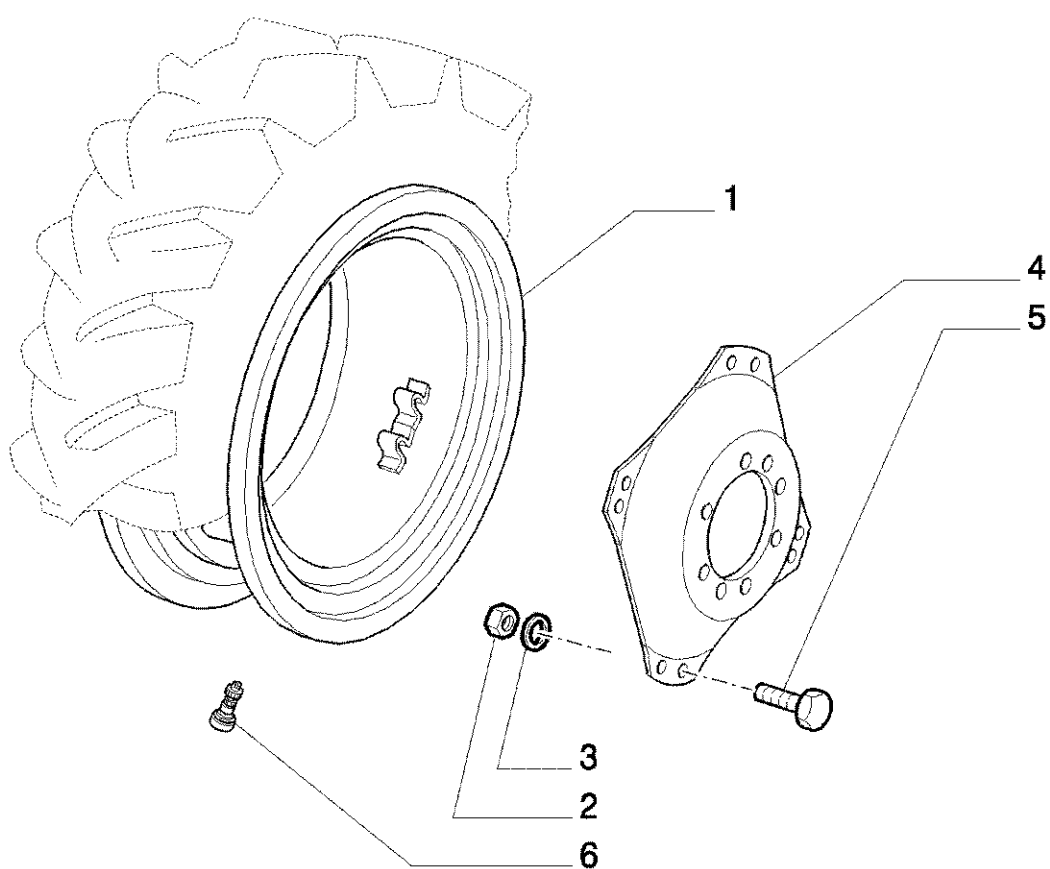
360 KOMPAKT TRACTOR (4/03-) - Wielen/Rupsbanden

82.00(02) AANDRIJVENDE STUURWIELEN - 4WD

Ref	Onderdeelnummer	Kwt	Beschrijving
1	47130981	2	WIELVEL, W9x18
2	10790524	8	MOER, M16 x 1.5,
3	5164709	8	SLUITRING, M16.6 x 33 x 6
4	5112385	8	BOLT, SPECIAL, Wheel, M16 x 1.5 x 78.5,
5	47130965	2	WIELVEL,
6	85700224	2	VALVE STEM,



EQUIP	TIRE SIZE	RIM
82.30	8.3 - 24 8PR	W8 X 24
82.32	11.2 R24 A8	W10 X 24
88.31	300/70 R24 A8	W10 X 24



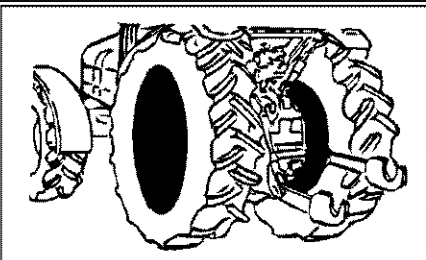
360 KOMPAKT TRACTOR (4/03-) - Wielen/Rupsbanden

82.00(03) AANDRIJVENDE STUURWIELEN - 4WD

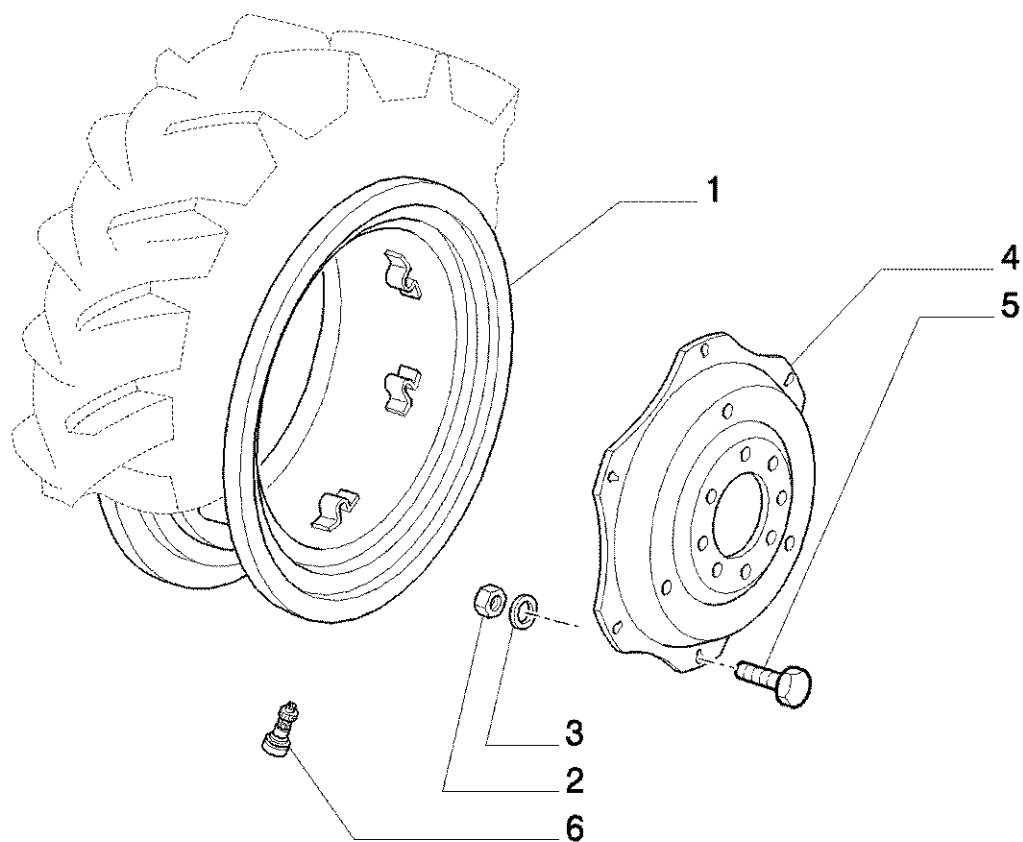
Ref	Onderdeelnummer	Kwt	Beschrijving
1	47130974	2	WIELVEL, 10x24
1	47130967	2	WIELVEL, W8x24
2	5122064	16	SLUITRING, M16.6 x 33 x 3.5
3	10790524	16	MOER, M16 x 1.5,
4	47130960	2	VIELNAAF,
5	5112385	16	BOLT, SPECIAL, Wheel, M16 x 1.5 x 78.5,
6	85700224	2	VALVE STEM,

EQUIP. 82.32 FOR 370 KOMPAKT, 375 KOMPAKT ONLY

83.00(01) AANDRIJFWIELEN



EQUIP	TIRE SIZE	RIM
83.50	13.6 R28 A8	W12 X 28
83.51	14.9 R28 A8	W13 X 28
83.52	16.9 R28 A8	W15L X 28
83.54	14.9 R30 A8	DWW13 X 30
83.55	16.9 R30 A8	DWW14L X 30
89.13	480/70 R28 A8	W15L X 28
89.15	480/65 R28 A8	W15L X 28
89.50	380/70 R28 A8	W12 X 28
89.51	420/70 R28 A8	W13 X 28
89.55	420/70 R30 A8	DWW13 X 30
89.68	540/65 R28 A8	W15L X 28



EQUIP. 89.55 FOR 360 4WD, 370 4WD, 375 ONLY EQUIP. (89.13-83.55) FOR 370, 375 ONLY EQUIP. 83.54 FOR 360 4WD ONLY EQUIP. 83.50 FOR 360 ONLY

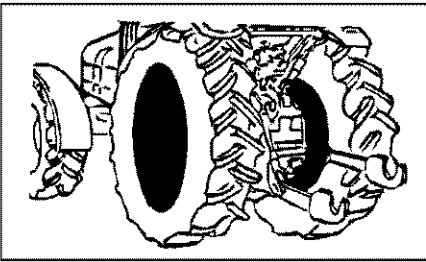
360 KOMPAKT TRACTOR (4/03-) - Wielen/Rupsbanden

83.00(01) AANDRIJFWIELEN

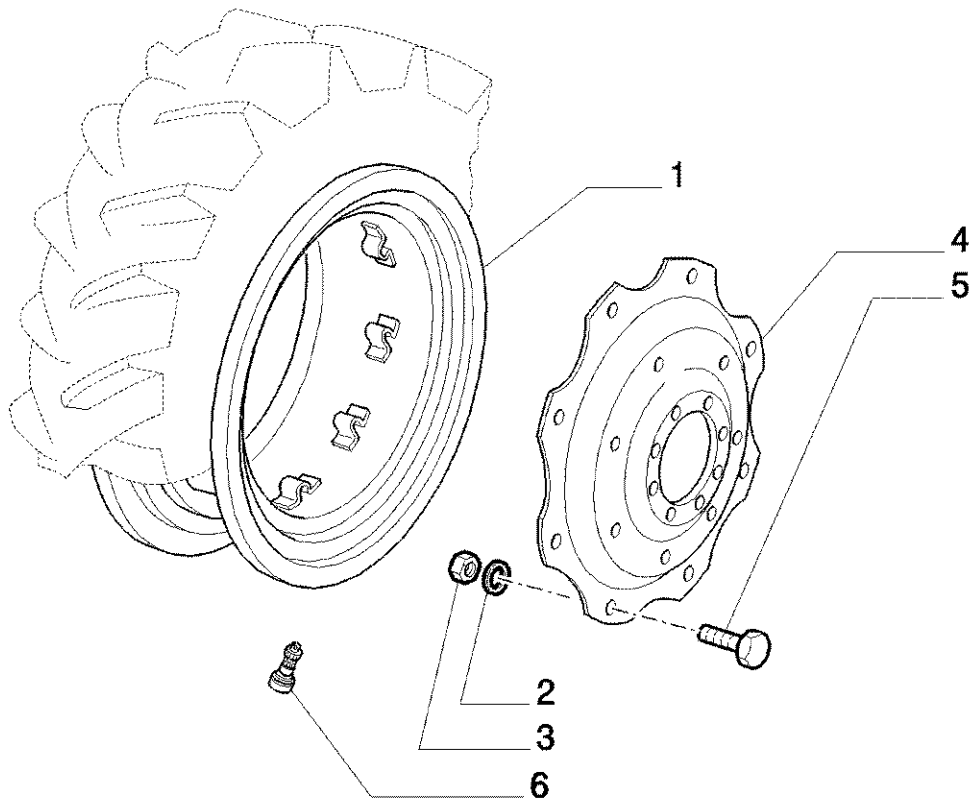
Ref	Onderdeelnummer	Kwt	Beschrijving
1	47130966	2	WIELVEL, W12x28
1	47130971	2	WIELVEL, W13x28
1	47130973	2	WIELVEL, DWW13x30
1	47130978	2	WIELVEL, W15Lx28
1	47130977	2	WIELVEL, DWW14Lx30
2	5122064	12	SLUITRING, M16.6 x 33 x 3.5
3	10790524	12	MOER, M16 x 1.5,
4	47130959	2	VIELNAAF,
5	5112385	12	BOLT, SPECIAL, Wheel, M16 x 1.5 x 78.5,
6	85700224	2	VALVE STEM,

EQUIP. 89.55 FOR 360 4WD, 370 4WD, 375 ONLY EQUIP. (89.13-83.55) FOR 370, 375 ONLY EQUIP. 83.54 FOR 360 4WD ONLY
EQUIP. 83.50 FOR 360 ONLY

83.00(04) AANDRIJFWIELEN



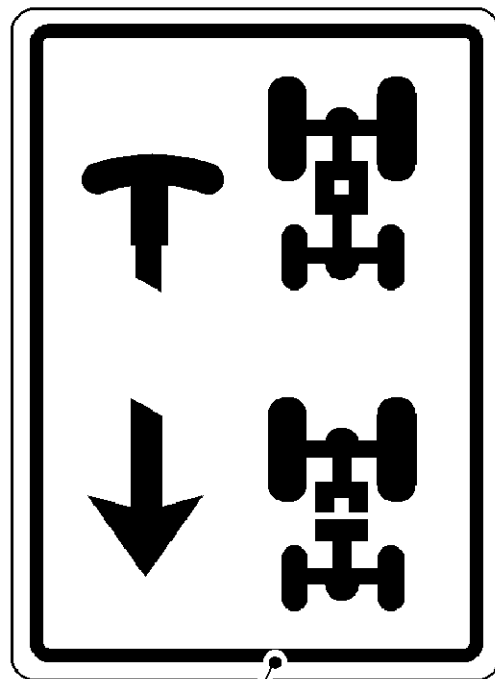
EQUIP	TIRE SIZE	RIM
83.60	12.4 R32 A8	W11 X 32



360 KOMPAKT TRACTOR (4/03-) - Wielen/Rupsbanden

83.00(04) AANDRIJFWIELEN

Ref	Onderdeelnummer	Kwt	Beschrijving
1	47130969	2	WIELVEL, W11x32
2	5122064	12	SLUITRING, M16.6 x 33 x 3.5
3	10790524	12	MOER, M16 x 1.5,
4	47130961	2	VIELNAAF,
5	5112385	12	BOLT, SPECIAL, Wheel, M16 x 1.5 x 78.5,
6	85700224	2	VALVE STEM,

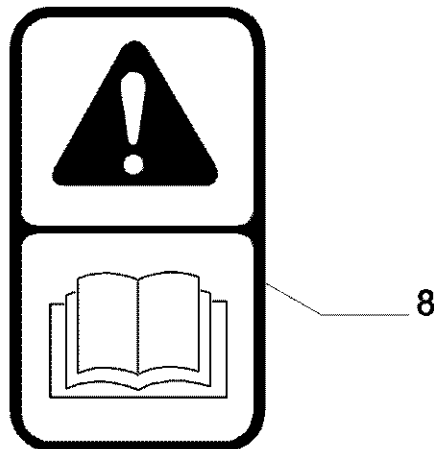
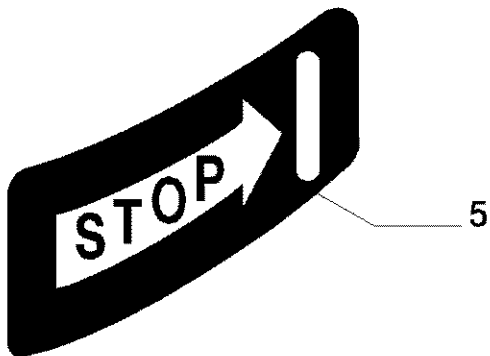
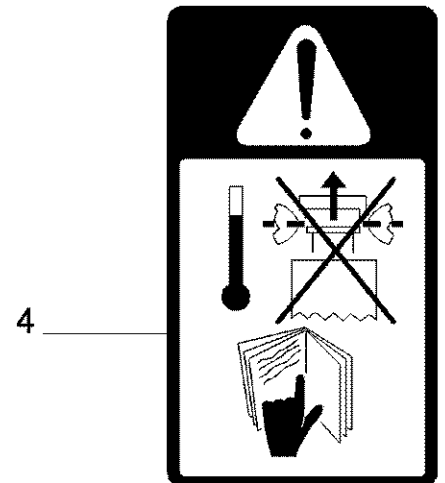
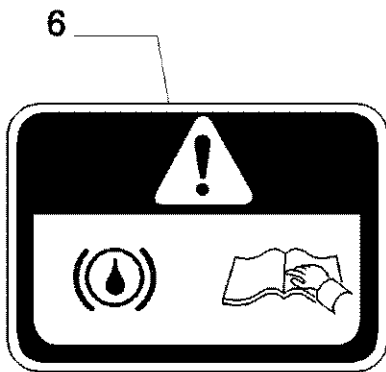
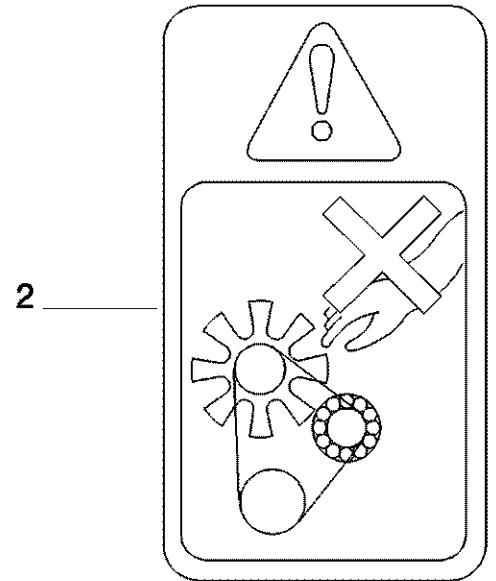
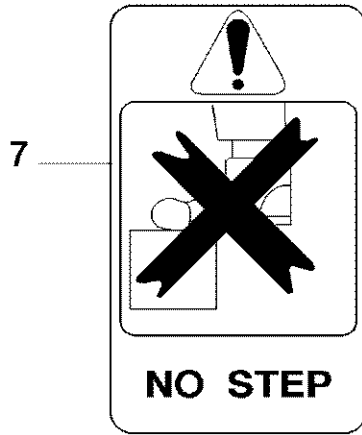
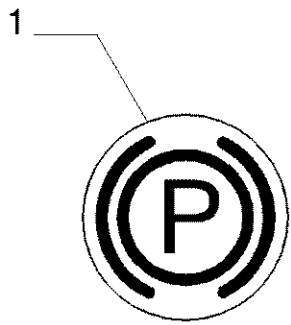
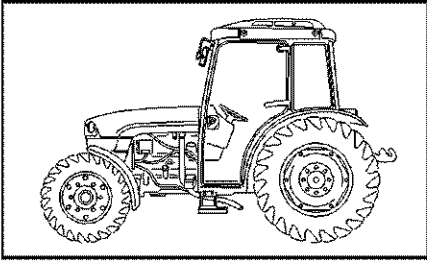


1.98.0

360 KOMPAKT

1.98.2

Ref	Onderdeelnummer	Kwt	Beschrijving

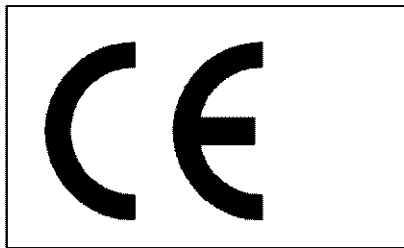
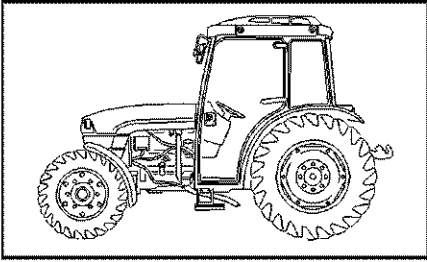


360 KOMPAKT TRACTOR (4/03-) - Plakplaatjes

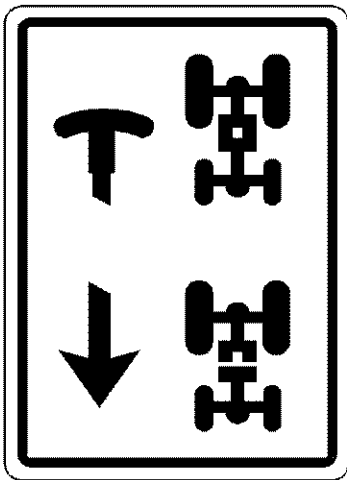
1.98.0(01) PLAATJES

Ref	Onderdeelnummer	Kwt	Beschrijving
1	82016114	1	DECAL, Parking Brake
2	81871830	2	DECAL, WARNING, Fan, BSN HJH048051
2	87326992	1	DECAL, WARNING, Fan, ASN HJH048052
3	83946774	1	DECAL, WARNING
4	5194556	2	DECAL, WARNING, Radiator
5	5181410	1	DECAL,
6	82010204	1	DECAL,
7	82010947	2	DECAL, WARNING, No Step
8	87326817	1	DECAL, Operator Warning Instructions, ASN HJH048052

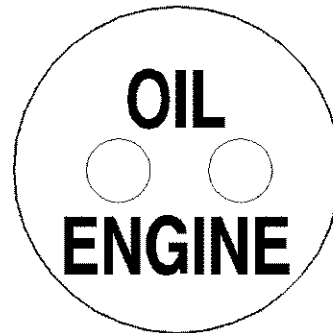
D5126 Serial N.HJH048052



1



3



2



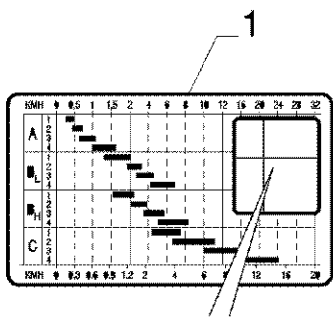
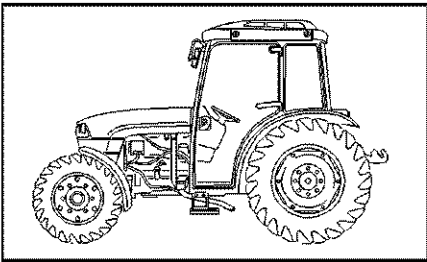
4



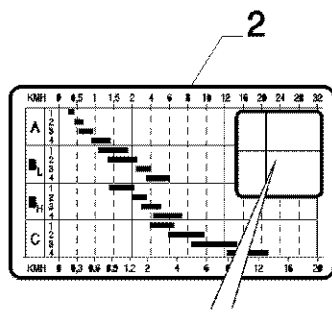
360 KOMPAKT TRACTOR (4/03-) - Plakplaatjes

1.98.0(02) PLAATJES

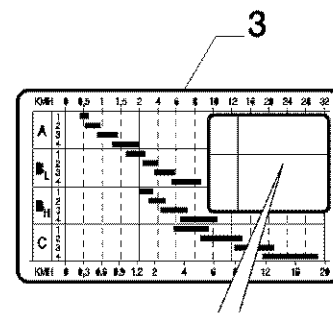
Ref	Onderdeelnummer	Kwt	Beschrijving
1	5176815	2	IDENTIFIKATIEPLAATJE,
2	5176078	1	DECAL, Engine Oil
3	5122191	1	DECAL,
4	47137032	1	DECAL, Engine Oil



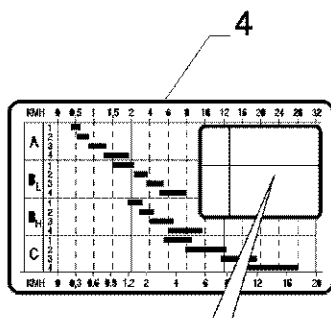
		1500	2300
		22.5LLX16.1	21.5L-16.1
		44X18.00-20	18.4-16



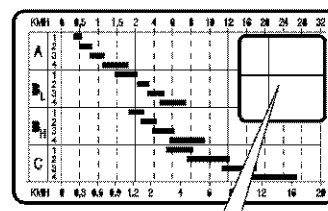
		1500	2300
		22.5LLX16.1	



		1500	2300
		14.9-30	16.9-30
		420/70-30	480/70-30
		16.9-28	14.9-28
		540/65-28	480/65-28
		420/70-28	12.4-32
		12.4-36	



		15	2300
		13.6-28	480/65-28
		380/70-28	12.4-32
		14.9-28	9.5-36
		420/70-28	13.6-28
			16.9-24



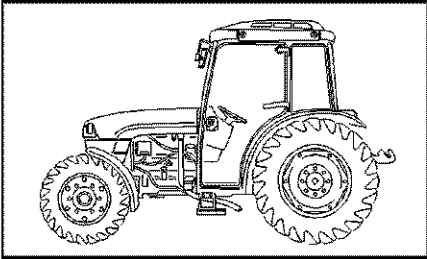
		1500	2300
		22.5LLX16.1	14.9-24



360 KOMPAKT TRACTOR (4/03-) - Plakplaatjes

1.98.0(03) PLAATJES

Ref	Onderdeelnummer	Kwt	Beschrijving
1	5184753	1	DECAL,
2	5184754	1	DECAL,
3	5184755	1	DECAL,
4	5184756	1	DECAL,
5	5184757	1	DECAL,



ATTENZIONE

Per ogni registrazione leggere attentamente il Libretto di Uso e manutenzione. Azionare a motore spento. Durante la registrazione non forzare il settore ② oltre il primo punto di contatto con il rullino ③. Non muovere manualmente la leva ①

ATTENZIONE

Prima di effettuare qualsiasi operazione sull'albero P.d.F. si deve arrestare il motore e scollegare la P.d.F. tramite la leva comando manicotto posta sul lato anteriore destro del trattore

CAUTION

Read the Operator Manual carefully before starting, using, maintaining, refuelling or making other service interventions on the tractor.

Comply strictly with the safety regulations and follow the suggested precautions, in order to prevent accidents and to safeguard yourselves

PERICOLO

- Se azionato in modo inadeguato un trattore può ribaltarsi o rovesciarsi.
- Solo per distanza ridotta il telaio di sicurezza può essere abbassato. Non è fornita nessuna protezione nella posizione abbassata.
- Sollevare il telaio di sicurezza ed inserire i perni di fermo immediatamente dopo l'uso con distanza ridotta o per il trasporto.
- Quando il telaio di sicurezza è abbassato non è consigliato l'uso delle cinture di sicurezza.
- Non attaccare funi o catene al telaio di sicurezza per trainare.
- Non azionare il veicolo senza i perni di fermo del telaio di sicurezza in posizione.
- Non cercare di ripiegare il telaio di sicurezza quando è installato un tettuccio.
- L'uso di telai o cinture di sicurezza riduce la possibilità di lesioni o morte in caso di ribaltamento o rovesciamento.

WARNING
In an overturn hold on tightly to steering wheel. Do not attempt to jump out.

ADVARSEL
Ved vorking: Hold fast i rattel spring ikke af.

WAARSCHUWING
Als de traktor kantelt spring er niet af, maar houd u stevig vast an het stuur.

VAROITUS
Pida kilini ohjauspyörästä traktorin kääntäessä eteenpäin.

ATTENTION
En cas de retournement du tracteur se cramponner au volant. Ne pas tenter de sauter.

ACHTUNG
Wenn Traktor kippt, festhalten am Lenkrad, nicht abspringen!

ATTENZIONE
In caso di ribaltamento, tenersi saldamente al volante senza tentare di saltare fuori.

ADVARSEL
Hold fast i rattel hvis traktoren vorter. Hopp ikke avt.

CUIDADO
Se a unidade se voltar, segure-se bem ao volante. Não tente saltar para fora.

CUIDADO
En caso de volcar del tractor, no saltar abajo pero agarrarse a la rueta del timón.

WARNING
Hold fast i rattlen om traktoren stjalpor hoppa ej.

ΠΡΟΣΟΧΗ
ΣΕ ΠΕΡΙΠΤΩΣΗ ΑΝΑΤΡΟΠΗΣ ΚΡΑΤΗΣΤΕ ΑΓΝΑΤΑ ΑΓΟ ΤΟ ΤΙΜΩΝ ΜΗΝ ΕΠΙΘΥΜΕΤΕ ΝΙΚΟΥΤΑ ΕΞΕ.

WARNING
In an overturn hold on tightly to steering wheel. Do not attempt to jump out.

ADVARSEL
Ved vorking: Hold fast i rattel spring ikke af.

WAARSCHUWING
Als de traktor kantelt spring er niet af, maar houd u stevig vast aan het stuur.

VAROITUS
Pida kilini ohjauspyörästä traktorin kääntäessä eteenpäin.

ATTENTION
En cas de retournement du tracteur se cramponner au volant. Ne pas tenter de sauter.

ACHTUNG
Wenn der Traktor kippt, unbedingt am Lenkrad festhalten und nicht abspringen!

ATTENZIONE
In caso di ribaltamento, tenersi saldamente al volante senza tentare di saltare fuori dal posto di guida.

ADVARSEL
Hold fast i rattel hvis traktoren vorter. Hopp ikke avt.

CUIDADO
Se a unidade se voltar, segure-se bem ao volante. Não tente saltar do tractor.

CUIDADO
En caso de volcar sujétese bien fuerte al volante, no intente saltar.

WARNING
Om traktoren stjalpor, håll fast i rattlen, hoppa ej!

ΠΡΟΣΟΧΗ
ΣΕ ΠΕΡΙΠΤΩΣΗ ΑΝΑΤΡΟΠΗΣ ΚΡΑΤΗΣΤΕ ΑΓΝΑΤΑ ΑΓΟ ΤΟ ΤΙΜΩΝ ΜΗΝ ΕΠΙΘΥΜΕΤΕ ΝΙΚΟΥΤΑ ΕΞΕ.

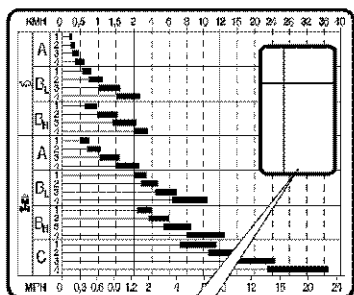
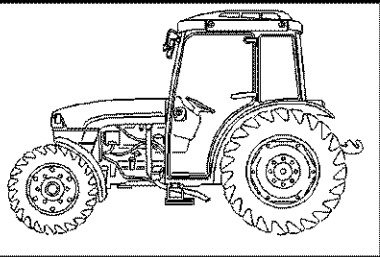


360 KOMPAKT TRACTOR (4/03-) - Plakplaatjes

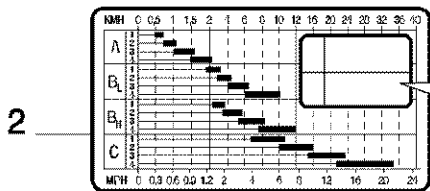
1.98.0(04) PLAATJES

Ref	Onderdeelnummer	Kwt	Beschrijving
1	5166128	1	IDENTIFIKATIEPLAATJE, GERMAN
1	5166125	1	IDENTIFIKATIEPLAATJE, FRENCH
1	5166054	1	IDENTIFIKATIEPLAATJE, ITALIAN
1	5166127	1	IDENTIFIKATIEPLAATJE, SPANISH
1	5166126	1	IDENTIFIKATIEPLAATJE, ENGLISH
1	5183071	1	IDENTIFIKATIEPLAATJE, DUTCH
1	5169282	1	IDENTIFIKATIEPLAATJE, PORTUGUESE
1	5191608	1	IDENTIFIKATIEPLAATJE, GREEK
1	47133659	1	IDENTIFIKATIEPLAATJE, SLOVENIAN
2	5182660	1	IDENTIFIKATIEPLAATJE, GERMAN
2	5182661	1	IDENTIFIKATIEPLAATJE, FRENCH
2	5182307	1	IDENTIFIKATIEPLAATJE, ITALIAN
2	5182659	1	IDENTIFIKATIEPLAATJE, SPANISH
2	5185692	1	DECAL, ENGLISH
2	5182663	1	IDENTIFIKATIEPLAATJE, DUTCH
2	5182662	1	IDENTIFIKATIEPLAATJE, PORTUGUESE
2	5185874	1	DECAL, GREEK
2	47133663	1	IDENTIFIKATIEPLAATJE, SLOVENIAN
3	5185016	1	DECAL, DANGER, Rollbar, ITALIAN, L/Cab
3	5185013	1	IDENTIFIKATIEPLAATJE, L/CAB, SPANISH
3	5185012	1	IDENTIFIKATIEPLAATJE, L/CAB, GERMAN
3	5185011	1	IDENTIFIKATIEPLAATJE, L/CAB, FRENCH
3	5185015	1	IDENTIFIKATIEPLAATJE, L/CAB, PORTUGUESE
3	5185014	1	IDENTIFIKATIEPLAATJE, L/CAB, DUTCH
4	5186095	1	IDENTIFIKATIEPLAATJE, GERMAN
4	5186094	1	IDENTIFIKATIEPLAATJE, FRENCH
4	5185688	1	IDENTIFIKATIEPLAATJE, ITALIAN
4	5186096	1	IDENTIFIKATIEPLAATJE, SPANISH
4	5186093	1	IDENTIFIKATIEPLAATJE, ENGLISH
4	5186098	1	IDENTIFIKATIEPLAATJE, DUTCH
4	5186097	1	IDENTIFIKATIEPLAATJE, PORTUGUESE
4	5186101	1	IDENTIFIKATIEPLAATJE, SWEDISH
4	5186100	1	IDENTIFIKATIEPLAATJE, NORWEGIAN
4	5186099	1	IDENTIFIKATIEPLAATJE, DANISH
4	47124849	1	IDENTIFIKATIEPLAATJE, GREEK
5	82016113	1	DECAL, WARNING, Instruction (Overturn), BSN HJH048051
6	87331253	1	DECAL, WARNING, Instruction (Overturn), ASN HJH048052
7	47123492	1	DECAL, , ASN HJH048052
8	47123495	1	DECAL, , ASN HJH048052
9	47123497	1	DECAL, , ASN HJH048052

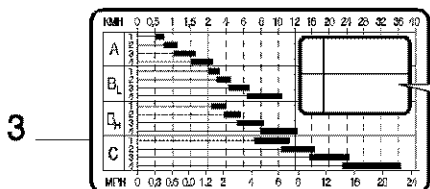
C5126 Serial N.HJH048052



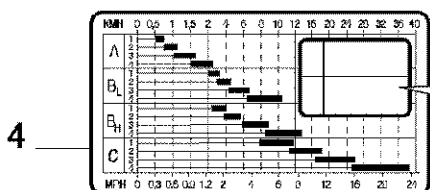
	1500 2300
	380/70-24 420/70-24 360/70-28 12.4-28 380/70-28 420/70-28 13.6-28 14.9-28



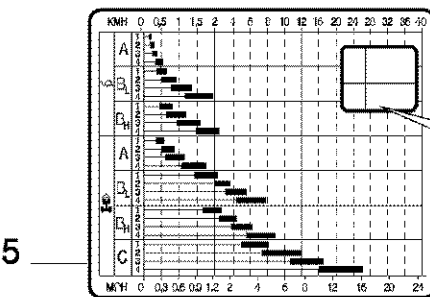
	1500 2300
	13.6-28 420/70-28 380/70-28 480/65-28 14.9-28 12.4-32



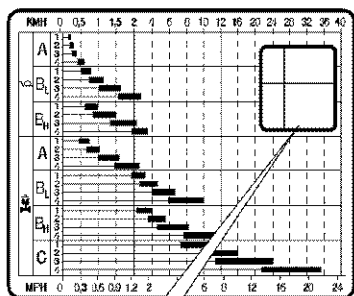
	1500 2300
	13.6-28 420/70-30 380/70-28 16.9-28 9.5-36 540/65-28 14.9-30 480/70-28



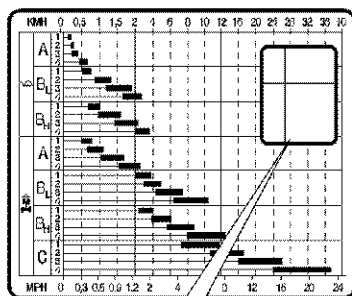
	1500 2300
	14.9-28 14.9-30 420/70-28 420/70-30 48 /65-28 12.4-36 12.4-32 16.9-30 9.5-36 480/70-30



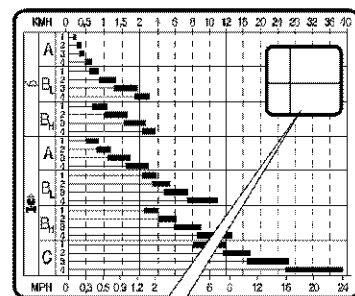
	1500 2300
	22.5LLX16.1



	1500 2300
	13.6-28 14.9-28 9.5-36



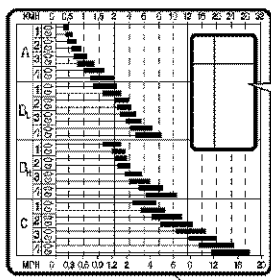
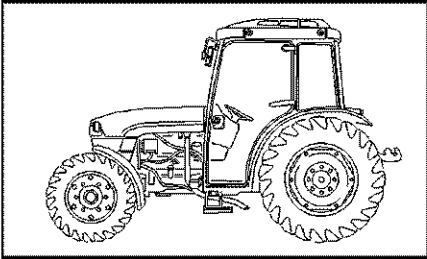
	1500 2300
	14.9-30 16.9-28 12.4-36 16.9-30 9.5-36



	1500 2300
	14.9-30 420/70-30

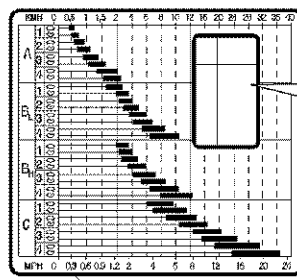


Ref	Onderdeelnummer	Kwt	Beschrijving
1	5179879	1	DECAL, 28 MEC.
2	5184758	1	DECAL, 16 MEC.
3	5184760	1	DECAL, 16 MEC.
4	5184761	1	DECAL, 16 MEC.
5	5184858	1	DECAL, 28 MEC.
6	5184859	1	DECAL, 28 MEC.
7	5184860	1	DECAL, 28 MEC.
8	5184861	1	DECAL, 28 MEC.



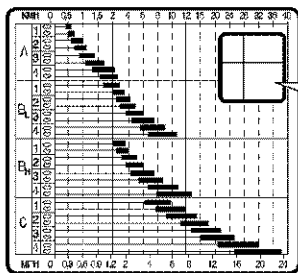
	1500 2300
	380/70-24 420/70-24 360/70-28 12.4-28 380/70-28 420/70-28 13.6-28 14.9-28

1



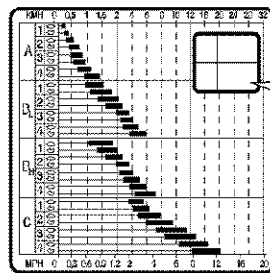
	1500 2300
	380/70-24 420/70-24 360/70-28 12.4-28 380/70-28 420/70-28 13.6-28 14.9-28

2



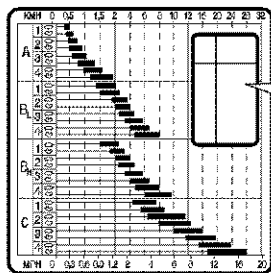
	1500 2300
	13.6-28 360/70-28 380/70-20 14.9-20

3



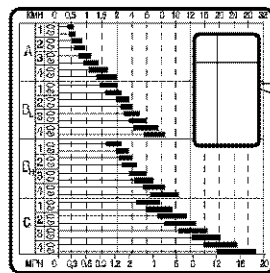
	1500 2300
	22.5LLX16.1

4



	1500 2300
	13.6-28 380/70-28 14.9-28 420/70-28 480/85-28 12.4-32 9.5-36

5

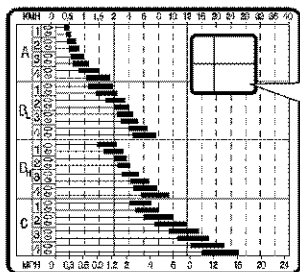
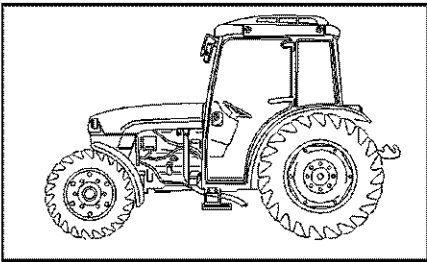


	1500 2300
	14.9-30 420/70-30 16.9-28 540/65-28 480/70-28 12.4-36 16.9-30 480/70-30

6

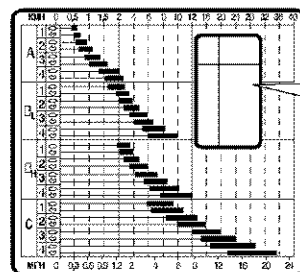


Ref	Onderdeelnummer	Kwt	Beschrijving
1	5182487	1	IDENTIFIKATIEPLAATJE, 32 KM/H
2	5179892	1	DECAL, 40 KM/H
3	5179893	1	DECAL, 40 KM/H
4	5184862	1	DECAL, 30 KM/H
5	5184863	1	DECAL, 30 KM/H
6	5184864	1	DECAL, 30 KM/H



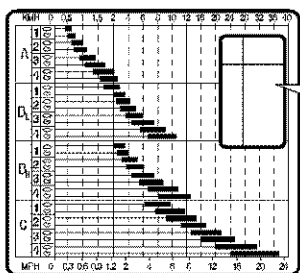
	1500 2300
	22.5LLX16.1

1



	1500 2300
	13.6-28 380/70-28 14.9-28 420/70-28 480/85-28 12.4-32 9.5-36

2



	1500 2300
	14.9-30 420/70-30 16.9-28 540/65-28 480/70-28 12.4-36 16.9-30 480/70-30

3



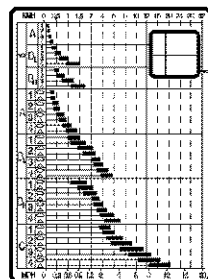
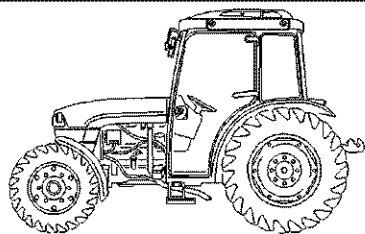
4



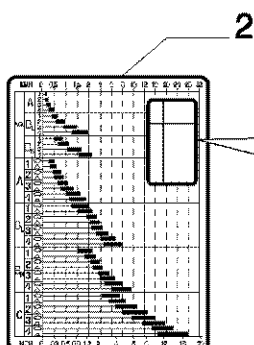
360 KOMPAKT TRACTOR (4/03-) - Plakplaatjes

1.98.0/02(02) (VAR.275-275/1) HI-LO 32X16 (30KM/H) P. SHUTTLE MET WARMTEWISSELAAR - PLAATJES

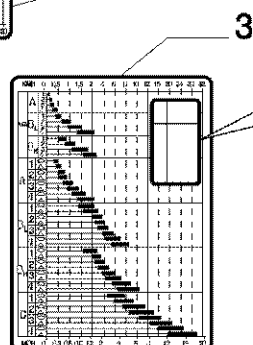
Ref	Onderdeelnummer	Kwt	Beschrijving
1	5184865	1	DECAL, 40 KM/H
2	5184866	1	DECAL, 40 KM/H
3	5184867	1	DECAL, 40 KM/H
4	5185606	1	DECAL,



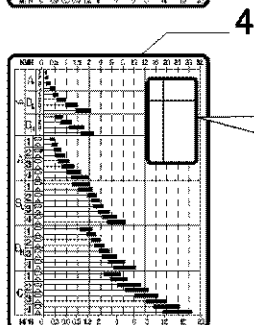
	1500	2300
	22.5LLX16.1	



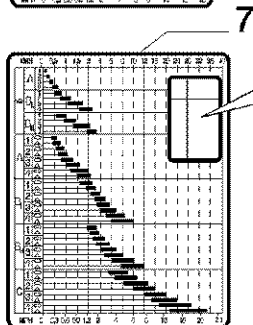
	1500	2300
	13.6-28 380/70-28 14.9-28 420/70-28 480/85-28 12.4-32 9.5-36	



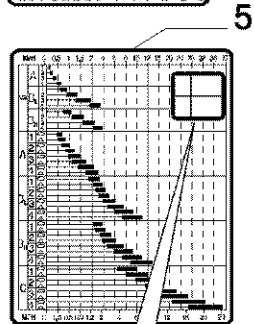
	1500	2300
	14.9-30 420/70-30 16.9-28 540/65-28 480/70-28 12.4-36 16.9-30 480/70-30	



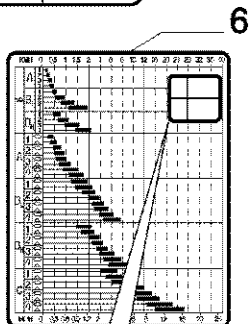
	1500	2300
	380/70-24 420/70-24 360/70-28 12.4-28 13.6-28 360/70-28 420/70-28 14.9-28	



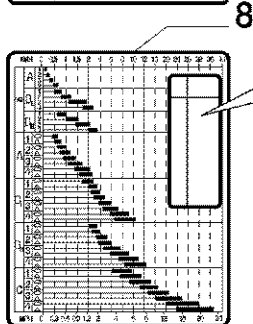
	1500	2300
	13.6-28 380/70-28 14.9-28 420/70-28 480/85-28 12.4-32 9.5-36	



	1500	2300
	14.9-30 420/70-30	



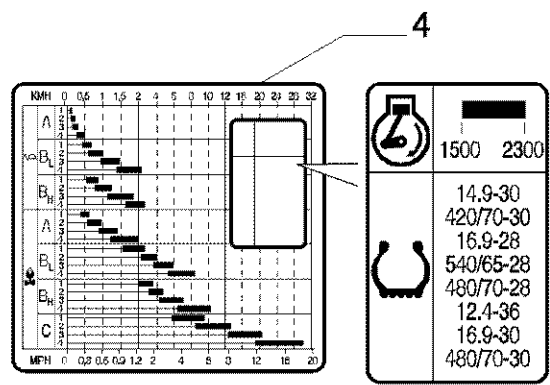
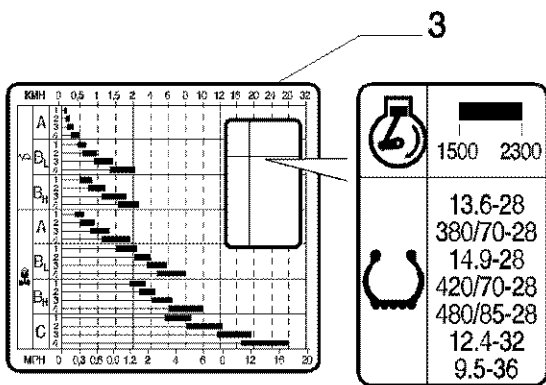
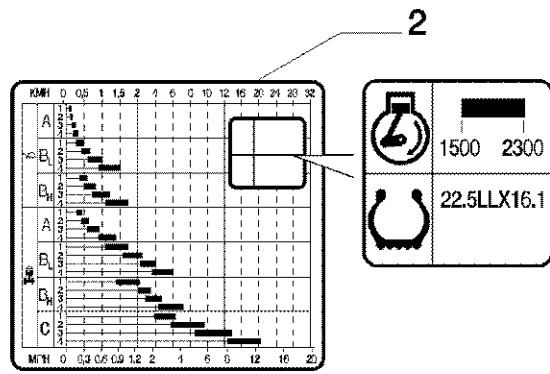
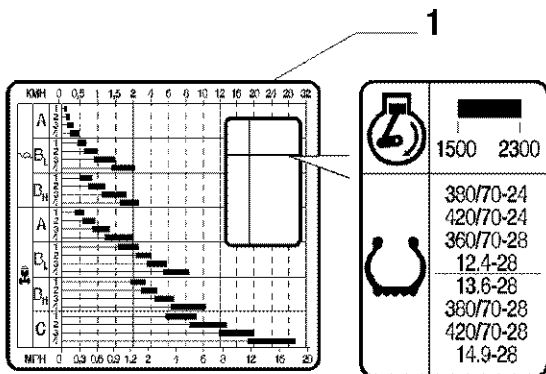
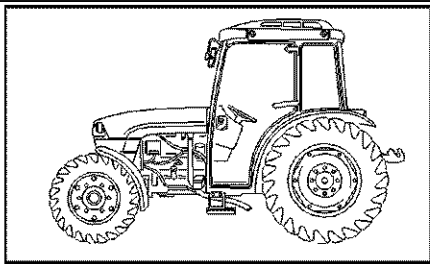
	1500	2300
	22.5LLX16.1	



	1500	2300
	14.9-30 420/70-30 16.9-28 540/65-28 480/70-28 12.4-36 16.9-30 480/70-30 13.6-28 360/70-28 14.9-28 420/70-28 480/85-28 12.4-32 9.5-36	



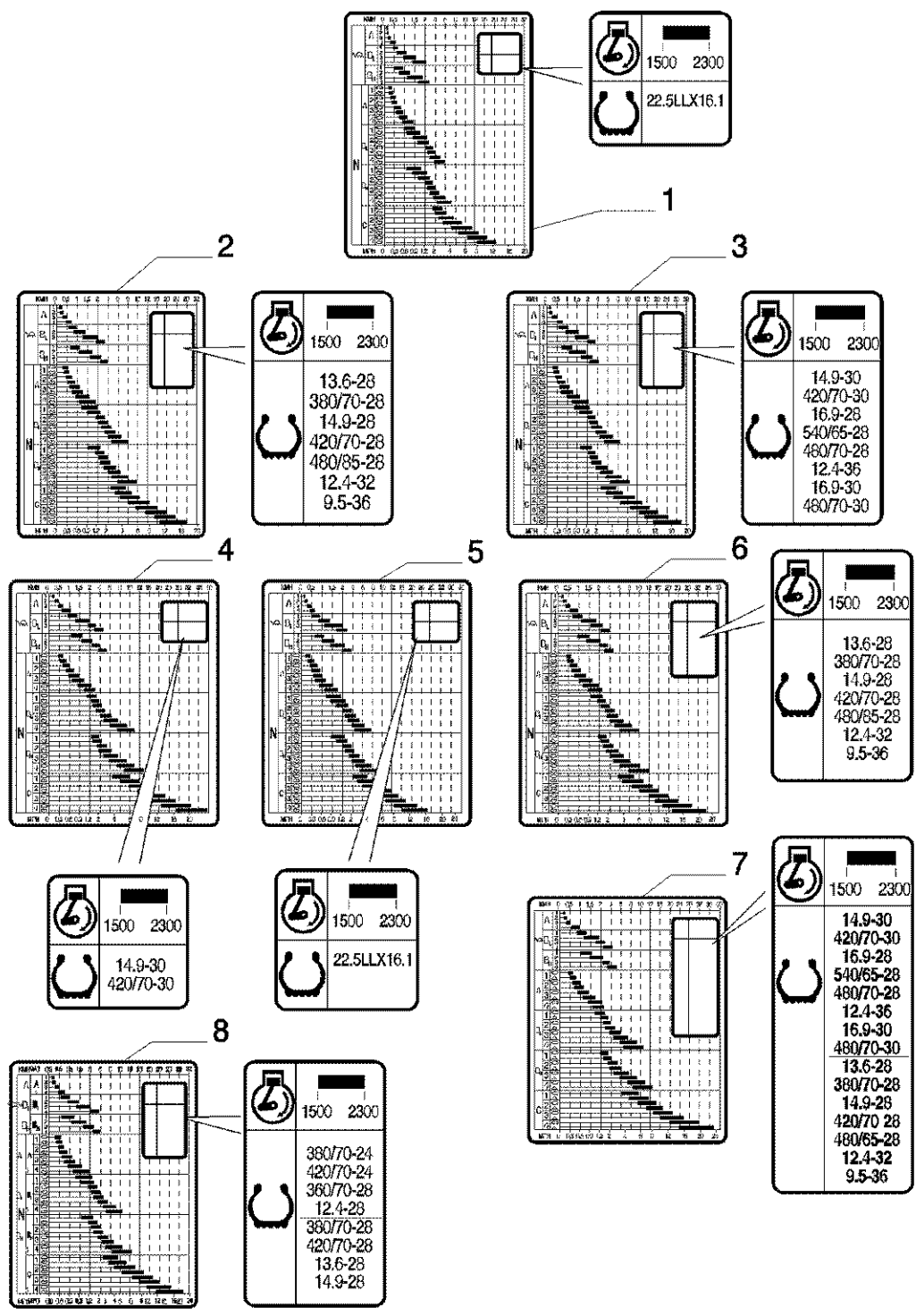
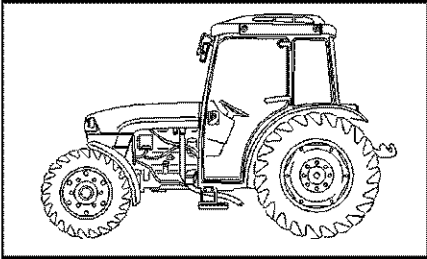
Ref	Onderdeelnummer	Kwt	Beschrijving
1	5184733	1	DECAL, 30 KM/H
2	5184734	1	DECAL, 30 KM/H
3	5184735	1	DECAL, 30 KM/H
4	5179900	1	DECAL, 30 KM/H
5	5184739	1	DECAL, 40 KM/H
6	5184740	1	DECAL, 40 KM/H
7	5184741	1	DECAL, 40 KM/H
8	5184742	1	DECAL, 40 KM/H



360 KOMPAKT TRACTOR (4/03-) - Plakplaatjes

1.98.0/04 (VAR.111/1) SUPPLEMENTAIRE REDUCTOR 28X16 (30 KM/H) - KENTEKENPLATEN

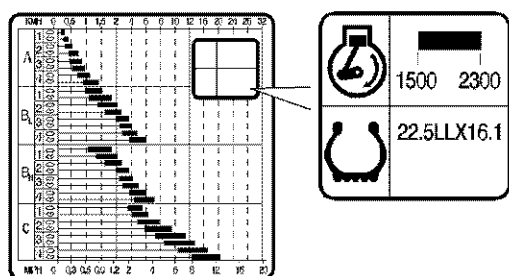
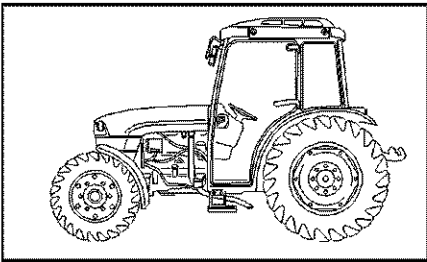
Ref	Onderdeelnummer	Kwt	Beschrijving
1	5179876	1	DECAL,
2	5184855	1	DECAL,
3	5184856	1	DECAL,
4	5184857	1	DECAL,



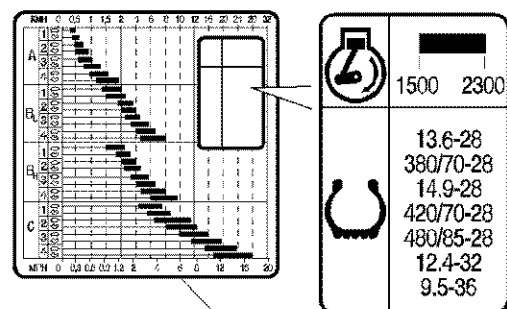
360 KOMPAKT TRACTOR (4/03-) - Plakplaatjes

1.98.0/045 (VAR.117) SUPPLEMENTAIRE REDUCTOR VOOR HI-LO 44X16 (30KM/H) - KENTEKENPLATEN

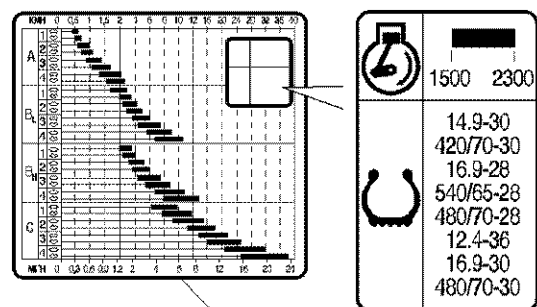
Ref	Onderdeelnummer	Kwt	Beschrijving
1	5184736	1	DECAL, 30 KM/H
2	5184737	1	DECAL, 30 KM/H
3	5184738	1	DECAL, 30 KM/H
4	5184743	1	DECAL, 40 KM/H
5	5184744	1	DECAL, 40 KM/H
6	5184745	1	DECAL, 40 KM/H
7	5184746	1	DECAL, 40 KM/H
8	5179907	1	DECAL, 32 KM/H



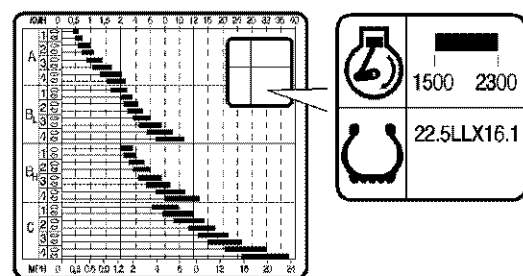
1



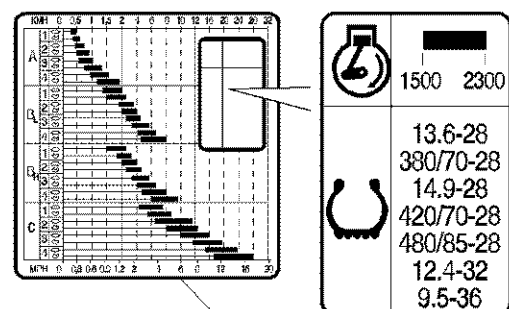
2



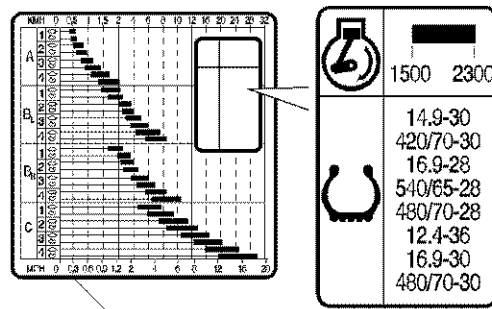
3



4



5



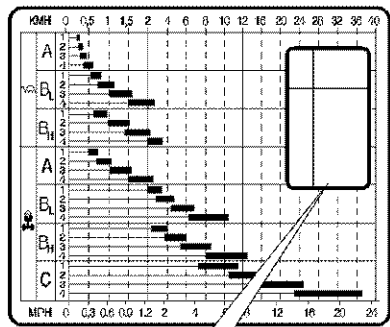
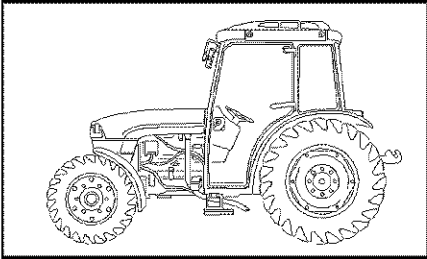
6



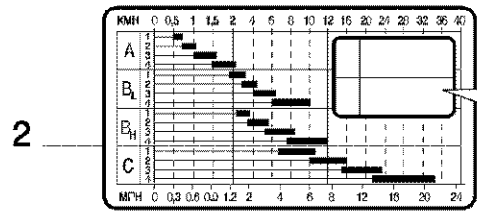
360 KOMPAKT TRACTOR (4/03-) - Plakplaatjes

1.98.0/05 (VAR.118) SPLITTER 32X16 (30 KM/H) - KENTEKENPLATEN

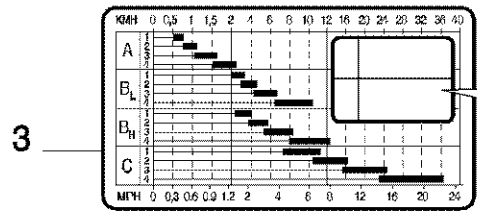
Ref	Onderdeelnummer	Kwt	Beschrijving
1	5184862	1	DECAL, 30 KM/H
2	5184863	1	DECAL, 30 KM/H
3	5184864	1	DECAL, 30 KM/H
4	5184865	1	DECAL, 40 KM/H
5	5184866	1	DECAL, 40 KM/H
6	5184867	1	DECAL, 40 KM/H



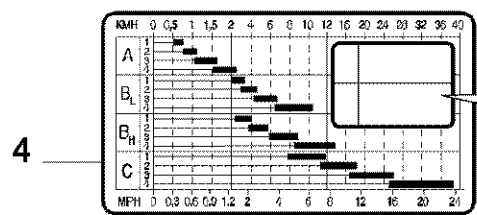
	1500	2300
	380/70-24 420/70-24 360/70-28 12.4-28	380/70-28 420/70-28 13.6-28 14.9-28



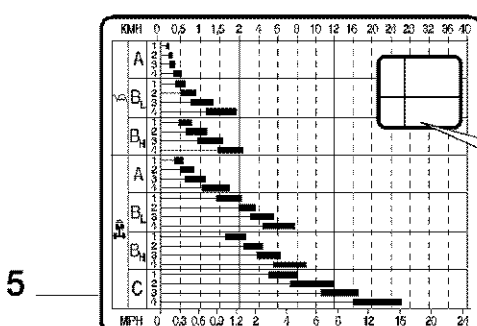
	1500	2300
	13.6-28 380/70-28 14.9-28	420/70-28 480/65-28 12.4-32



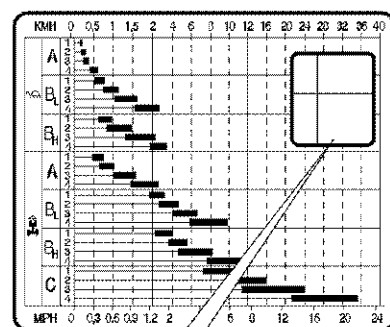
	1500	2300
	13.6-28 380/70-28 9.5-36 14.9-30	420/70-30 16.9-28 540/65-28 480/70-28



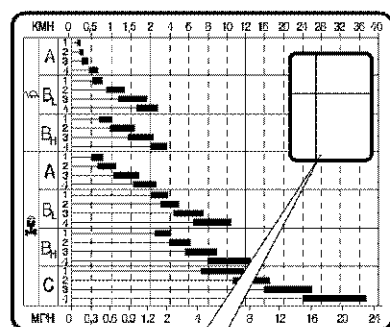
	1500	2300
	14.9-28 420/70-28 480/65-28 12.4-32 9.5-36	14.9-30 420/70-30 12.4-36 16.9-30 480/70-30



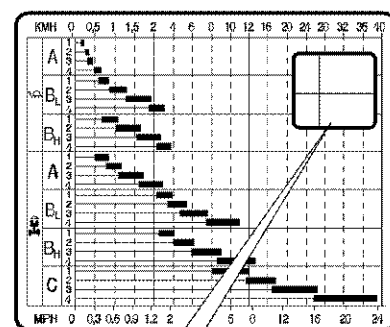
	1500	2300
	22.5LLX16.1	



	1500	2300
	13.6-28 14.9-28 9.5-36	



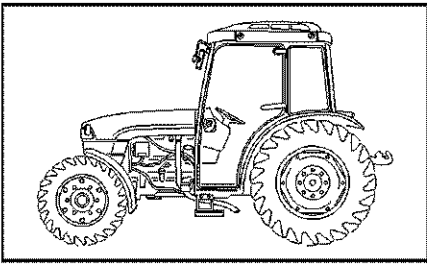
	1500	2300
	14.9-30 16.9-28 12.4-36 16.9-30 9.5-36	



	1500	2300
	14.9-30 420/70-30	



Ref	Onderdeelnummer	Kwt	Beschrijving
1	5179879	1	DECAL, 28 MEC.
2	5184758	1	DECAL, 16 MEC.
3	5184760	1	DECAL, 16 MEC.
4	5184761	1	DECAL, 16 MEC.
5	5184858	1	DECAL, 28 MEC.
6	5184859	1	DECAL, 28 MEC.
7	5184860	1	DECAL, 28 MEC.
8	5184861	1	DECAL, 28 MEC.



360 KOMPAKT

1
2
3

370 KOMPAKT

4

STEYR

375 KOMPAKT

5

STEYR



8

6



7



360 KOMPAKT TRACTOR (4/03-) - Plakplaatjes

1.98.2 KENTEKEN MODEL

Ref	Onderdeelnummer	Kwt	Beschrijving
1	47057028	2	MODELIDENTIFIKATIEPLAATJ, 360
2	47057029	2	MODELIDENTIFIKATIEPLAATJ, 370
3	47057030	2	MODELIDENTIFIKATIEPLAATJ, 375
4	47057033	2	LOGO,
5	47057024	1	DECAL,
6	87802980	1	EMBLEEM,
7	82031730	1	DECAL,
8	87802985	1	EMBLEEM,

